

PARAMOUNT DESIGNER RANGE SERIES (SGRBS)

30 in. 4.2 cu. ft. Range with 4 Burner Cooktop and Convection Gas Oven

ZLINE
ATTAINABLE LUXURY®

SGRBSZ-30-MBCB

Black Satin Stainless Steel



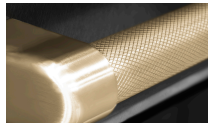
Black Satin Stainless Steel Range Base Finish



Champagne Bronze Knob Rings and Matte Black Knobs



Champagne Bronze Helix Handle



GENERAL PROPERTIES

SKUs	SGRBSZ-30-MBCB
Base Finish	Black Satin Stainless Steel
Accent Finish	Matte Black and Champagne Bronze
Fuel Type	Gas (Propane or Natural Gas)
Burners	4 Brass Burners
Mount Type	Free Standing
Timer	No
Material	430 Grade Stainless Steel
Grates	Modern
Certification	ETL Certified

DIMENSIONS AND WEIGHT

Product Dimensions	30" W x 27 3/4" D x 36" H
Cutout Dimensions	30 1/4" W x 24 3/4" D x 36" H
Product Weight	218 lb (98.8 kg)

COOKTOP FEATURES

Cooktop | Porcelain With Electronic Spark Ignition For All Burners

COOKTOP BTU (Electronic Ignition and Auto Re-ignition)

Back Left (Semi-Rapid)	9,000 BTU
Front Left (Rapid)	15,000 BTU
Back Right (Semi-Rapid)	9,000 BTU
Front Right (Dual)	20,000 BTU

FEATURES AND BENEFITS

Italian-Made Auto Re-ignition Burners: 4 Italian-made gas burners utilize automatic re-ignition innovation for improved temperature control and cooktop safety.

Horizon Oven Window: Keep a watchful eye on your baking dishes through ZLINE's Horizon oven door design that features a large viewing window.

Stainless Steel Oven Burners: Tubular bake and broil burners are designed for optimal gas combustion that allows for even heat distribution for an ideal baking experience.

Dual Function Burner: Expand your cooking capabilities with a single Dual Function Burner that allows you to simmer at 800 BTU or perfectly sear at 20,000 BTU.

Convection Gas Oven: Elevate your culinary endeavors with standard bake, broil, and convection bake modes with a maximum BTU output of 22,000.

Large Oven Capacity: Large oven capacity of 4.2 cu. ft. fits pans up to 20 in. wide for maximum space and convenience.

StayPut Oven Door Hinges: Designed to support the full weight of the oven door, offering additional convenience and safety.

Premium Oven Insulation: A 3-layered glass oven door with a large viewing window and aluminum mesh seal offers superior heat retention and consistent temperatures.

Smooth Glide Ball-Bearing Oven Racks: 2 durable ball bearing oven racks provide extra convenience and ease when working with larger dishes.

LP Conversion Kit: Comes equipped with an LP conversion kit to convert from natural gas to liquid propane (must be done by a professional), offering versatility with your cooking preference.

OVEN FEATURES

Interior Dimensions	24 7/8" W x 17 3/4" D x 16" H
Self-Clean	No
Oven Lighting	(2) Halogen
Oven Features	Bake, Broil, Convection Bake
Convection Fan	Yes
Number of Racks	2
Child Lock	No

OVEN BTU

Broil BTU Output	10,000 BTU
Bake BTU Output	22,000 BTU

ELECTRICAL REQUIREMENTS

120 V / 60 Hz / 15 A Dedicated Circuit

LIMITED WARRANTY

Manufacturing Warranty: 1-year parts and labor.

Italian Burners and Spark Tips: Limited Lifetime Warranty.

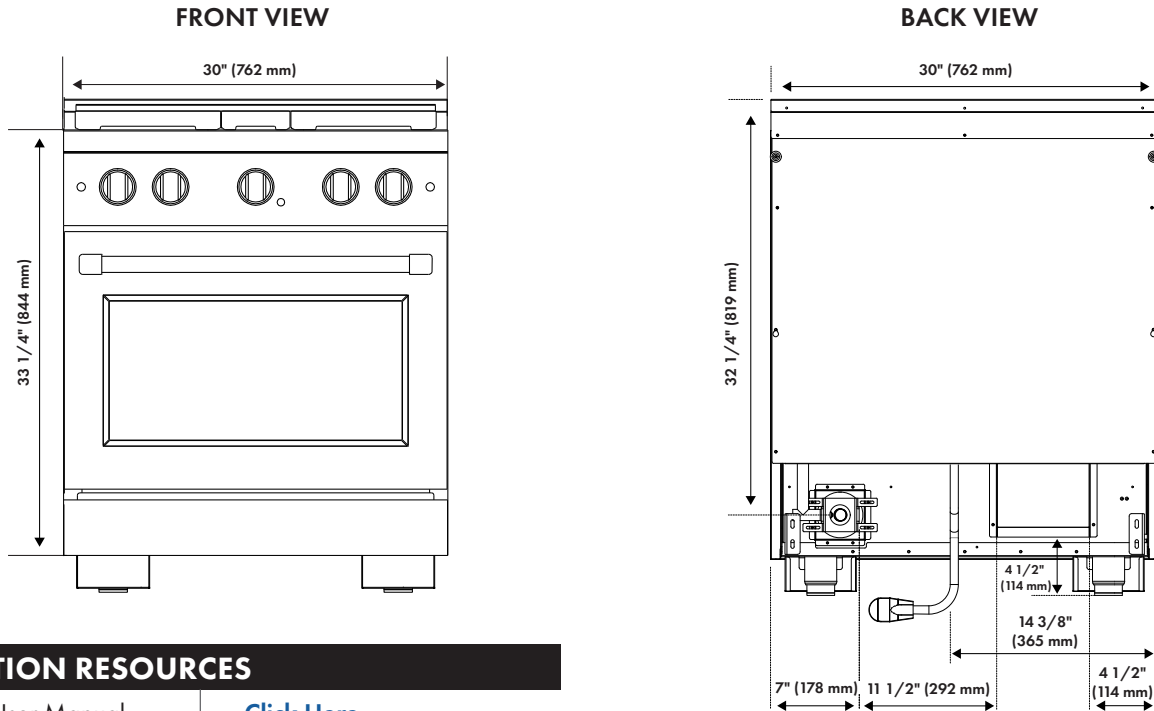
Limited Lifetime includes: parts replacements for burners, burner caps, and parts and labor for the spark tip if parts prove to be defective in materials or workmanship.

**Appliance protection plans sold separately, contact for more information.*

PARAMOUNT DESIGNER RANGE SERIES (SGRBS)

30 in. 4.2 cu. ft. Range with 4 Burner Cooktop and Convection Gas Oven

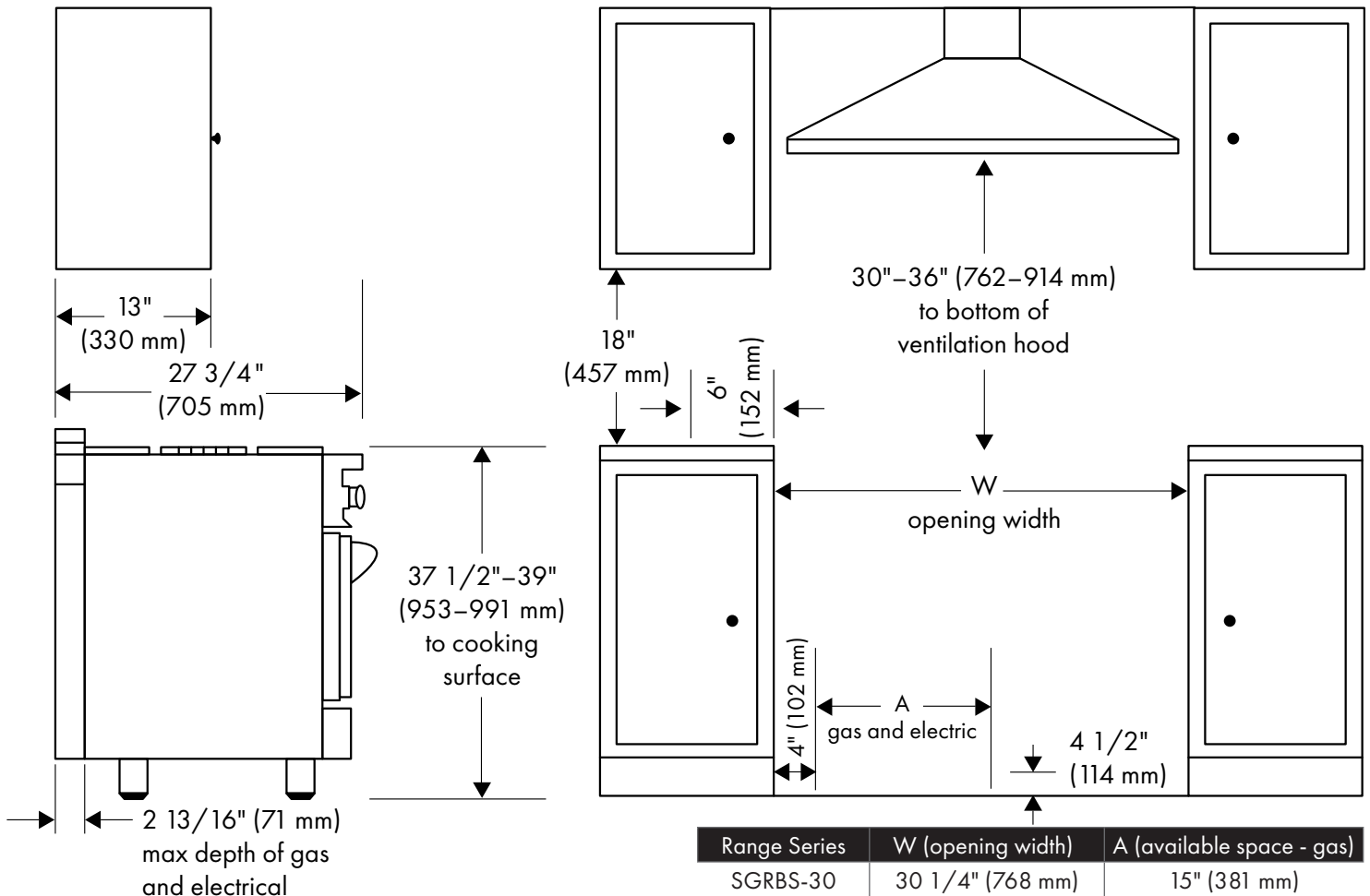
ZLINE
ATTAINABLE LUXURY®



INSTALLATION RESOURCES

Installation / User Manual

[Click Here](#)

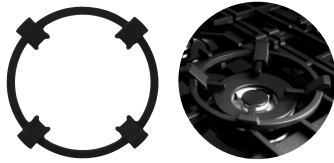


Range Series	W (opening width)	A (available space - gas)
SGRBS-30	30 1/4" (768 mm)	15" (381 mm)

ZLINE KITCHEN ACCESSORIES

Range + Kitchen Compatible Accessories

ZLINE
ATTAINABLE LUXURY®



Cooktop Wok Ring | RA-005A



Cleaner/Polish | STCLT-8



Reversible Cast Iron Griddle | SR-GRNS



German Steel
15 Piece Knife Set | KSETT-GS-15



German Steel
3 Piece Knife Set | KSETT-GS-3



Japanese Damascus
3 Piece Knife Set | KSETT-JD-3



10-Piece
Stainless Steel
Cookware Set | CWSETL-ST-10



10-Piece Stainless
Steel and Ceramic
Cookware Set | CWSETL-NS-10



5-Piece Black
Matte Enameled
Cast Iron Set | CWSETS-BLM-5



5-Piece White
Matte Enameled
Cast Iron Set | CWSETS-WM-5

CONTACT INFORMATION



PHONE

Customer Service
1-614-777-5004

Dealer Assistance
1-833-597-2461



HOURS OF OPERATION

Customer Service
Monday–Friday 6:00am–4:30pm CST

Dealer Assistance
Monday–Friday 7:00am–4:00pm CST



EMAIL

Customer Service
contact@zlinekitchen.com

Dealer Assistance
dealer@zlinekitchen.com