

PARAMOUNT DESIGNER RANGE SERIES (SGRBS)

36 in. 5.2 cu. ft. Range with 6 Burner Cooktop and Convection Gas Oven

ZLINE
ATTAINABLE LUXURY®

SGRBSZ-36-MBCB

Black Satin Stainless Steel



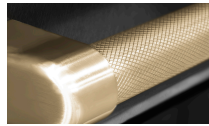
Black Satin Stainless Steel Range Base Finish



Champagne Bronze Knob Rings and Matte Black Knobs



Champagne Bronze Helix Handle



FEATURES AND BENEFITS

Italian-Made Auto Re-ignition Burners: 6 Italian-made gas burners utilize automatic re-ignition innovation for improved temperature control and cooktop safety.

Horizon Oven Window: Keep a watchful eye on your baking dishes through ZLINE's Horizon oven door design that features a large viewing window.

Stainless Steel Oven Burners: Tubular bake and broil burners are designed for optimal gas combustion that allows for even heat distribution for an ideal baking experience.

Dual Function Burner: Expand your cooking capabilities with a single Dual Function Burner that allows you to simmer at 800 BTU or perfectly sear at 20,000 BTU.

Convection Gas Oven: Elevate your culinary endeavors with standard bake, broil, and convection bake modes with a maximum BTU output of 22,000.

Large Oven Capacity: An expansive oven capacity of 5.2 cu. ft. fits pans up to 26 in. wide for maximum space and convenience.

StayPut Oven Door Hinges: Designed to support the full weight of the oven door, offering additional convenience and safety.

Premium Oven Insulation: A 3-layered glass oven door with a large viewing window and aluminum mesh seal offers superior heat retention and consistent temperatures.

Smooth Glide Ball-Bearing Oven Racks: 2 durable ball bearing oven racks provide extra convenience and ease when working with larger dishes.

LP Conversion Kit: Comes equipped with an LP conversion kit to convert from natural gas to liquid propane (must be done by a professional), offering versatility with your cooking preference.

OVEN FEATURES

Interior Dimensions	31 3/8" W × 17 3/4" D × 16" H
Self-Clean	No
Oven Lighting	(2) Halogen
Oven Features	Bake, Broil, Convection Bake
Convection Fan	Yes
Number of Racks	2
Child Lock	No

OVEN BTU

Broil BTU Output	10,000 BTU
Bake BTU Output	22,000 BTU

ELECTRICAL REQUIREMENTS

120 V / 60 Hz / 15 A Dedicated Circuit

LIMITED WARRANTY

Manufacturing Warranty: 1-year parts and labor.

Italian Burners and Spark Tips: Limited Lifetime Warranty.

Limited Lifetime includes: parts replacements for burners, burner caps, and parts and labor for the spark tip if parts prove to be defective in materials or workmanship.

**Appliance protection plans sold separately, contact for more information.*

GENERAL PROPERTIES

SKUs	SGRBSZ-36-MBCB
Base Finish	Black Satin Stainless Steel
Accent Finish	Matte Black and Champagne Bronze
Fuel Type	Gas (Propane or Natural Gas)
Burners	6 Brass Burners
Mount Type	Free Standing
Timer	No
Material	430 Grade Stainless Steel
Grates	Modern
Certification	ETL Certified

DIMENSIONS AND WEIGHT

Product Dimensions	36" W x 27 3/4" D x 36" H
Cutout Dimensions	36 1/4" W x 24 3/4" D x 36" H
Product Weight	256 lb (116.12 kg)

COOKTOP FEATURES

Cooktop | Porcelain With Electronic Spark Ignition For All Burners

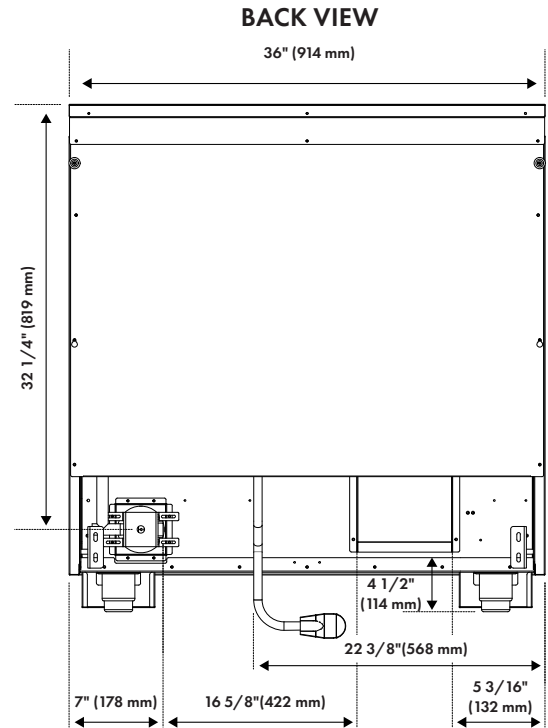
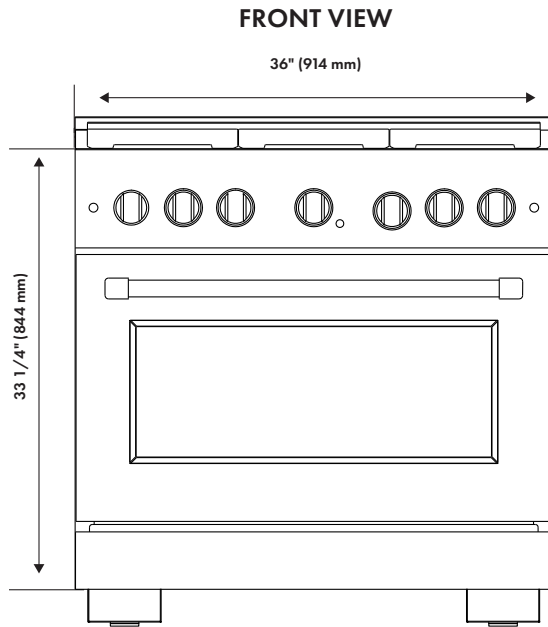
COOKTOP BTU (Electronic Ignition and Auto Re-ignition)

Back Left (Semi-Rapid)	9,000 BTU
Back Middle (Semi-Rapid)	9,000 BTU
Back Right (Rapid)	12,000 BTU
Front Left (Rapid)	15,000 BTU
Front Middle (Auxiliary)	6,000 BTU
Front Right (Dual)	20,000 BTU

PARAMOUNT DESIGNER RANGE SERIES (SGRBS)

36 in. 5.2 cu. ft. Range with 6 Burner Cooktop and Convection Gas Oven

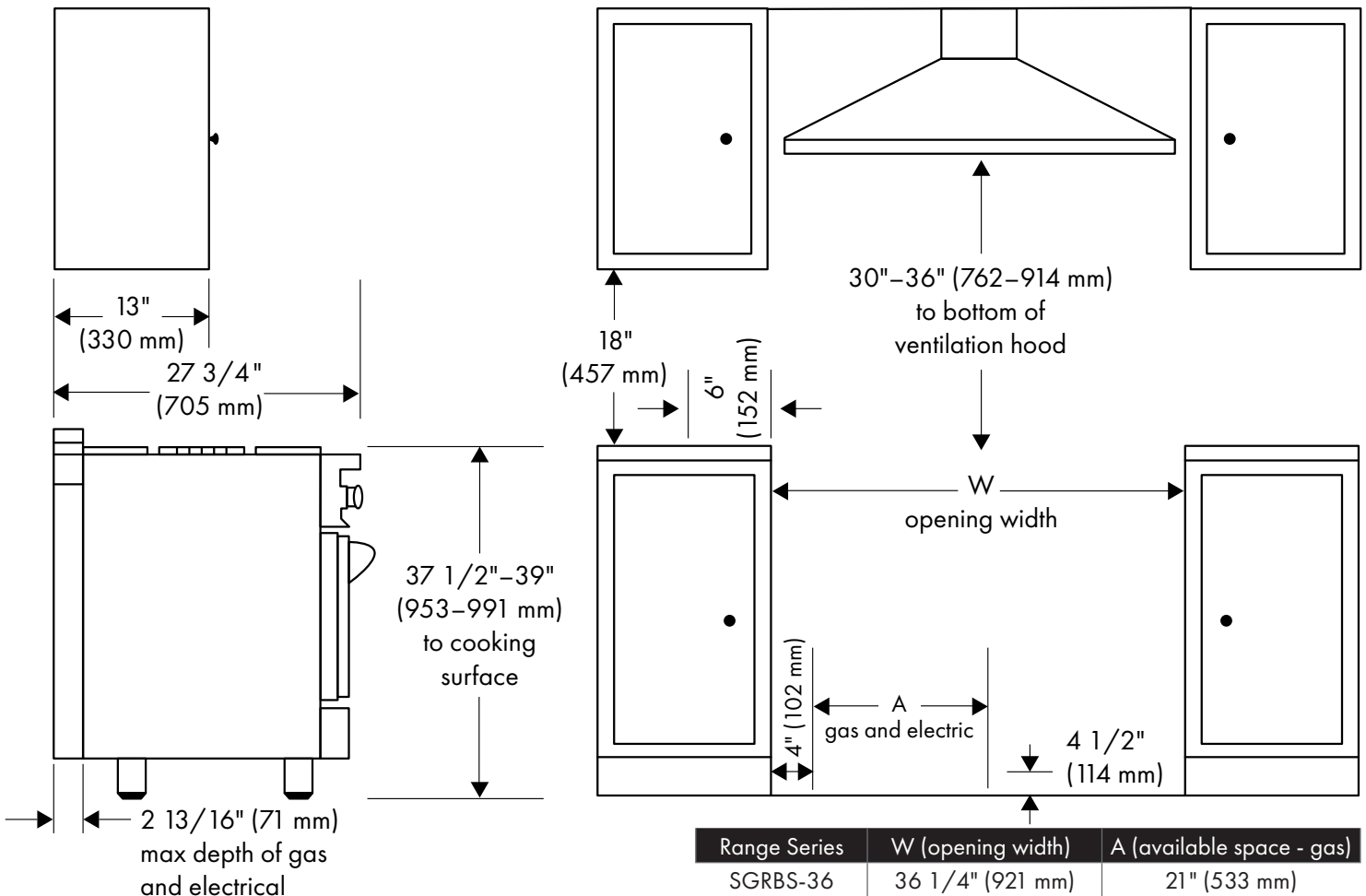
ZLINE
ATTAINABLE LUXURY®



INSTALLATION RESOURCES

Installation / User Manual

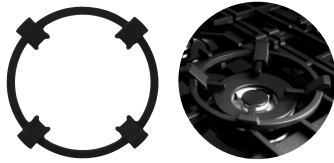
[Click Here](#)



ZLINE KITCHEN ACCESSORIES

Range + Kitchen Compatible Accessories

ZLINE
ATTAINABLE LUXURY®



Cooktop Wok Ring | RA-005A



Cleaner/Polish | STCLT-8



Reversible Cast Iron Griddle | SR-GRNS



German Steel
15 Piece Knife Set | KSETT-GS-15



German Steel
3 Piece Knife Set | KSETT-GS-3



Japanese Damascus
3 Piece Knife Set | KSETT-JD-3



10-Piece
Stainless Steel
Cookware Set | CWSETL-ST-10



10-Piece Stainless
Steel and Ceramic
Cookware Set | CWSETL-NS-10



5-Piece Black
Matte Enameled
Cast Iron Set | CWSETS-BLM-5



5-Piece White
Matte Enameled
Cast Iron Set | CWSETS-WM-5

CONTACT INFORMATION



PHONE

Customer Service
1-614-777-5004

Dealer Assistance
1-833-597-2461



HOURS OF OPERATION

Customer Service
Monday–Friday 6:00am–4:30pm CST

Dealer Assistance
Monday–Friday 7:00am–4:00pm CST



EMAIL

Customer Service
contact@zlinekitchen.com

Dealer Assistance
dealer@zlinekitchen.com