



Tumble dryer

T5VXLG

5-series

Capacity: 24.3 lb

Vented

Number of program: 17

ADA Compliant: Yes, standing on the ASKO pedestal drawer

Installation: Freestanding

Construction and performance

- Inner drum: Stainless Steel
- Motor: Long life and quiet brushless motor
- Heating system: Electric heater
- Drying types: Sensor or time controlled
- Drum volume: 5.2 Cubic ft
- Shortest program time: 30 min
- Easy to use lint filter: Yes

Use and flexibility

- Automatic programs: Yes
- Door opening diameter: 13 3/8 "
- Door maximum opening angle: 180 °
- Sensors: Moisture sensor
- Auto condenser filter cleaning: No
- Load Light™ - Illumination of the drum: Yes

Interaction and control

- Remaining time indication: Yes
- Type of display: TFT - Full colour touch display (possible to interact with jog dial as well)
- Indication when program is ready: Yes
- Language settings: Danish, German, English, Spanish, Finnish, French, Italian, Dutch, Norwegian, Russian, Swedish, Chinese simplified, Chinese traditional, Slovenian, Slovak, Polish, Latvian, Lithuanian, Japanese, Croatian, Estonian, Czech

Programs and options

- Number of program: 17
- Drying programs: Conditioning, Wool, Time program, SportWash, Shirts, Bedding, Auto normal dry, Antiallergy, Jeans, Quick pro cotton, Down/bulky items, Mixed laundry, Synthetics, Delicate, Cotton iron, Cotton storage, AirRefresh
- Settings: Load level setting, Delayed start, Low temperature option, Setting of dryness level, Timed drying, Anti-crease function, Half load, Pause, Quick dry, Beep indicating that program is ended

Design and integration

- Door hinge placement: Right/Left
- Adjustable feet: 9/16 "
- Easy mounting of ASKO dryer on top of the washers: Yes, on XL WM
- Loading type: Front load

Safety and maintenance

- Child lock on display: Yes
- Overheat protection: For motor and electronics

Technical data

- Heater power: 3000 W
- Noise level drying dB(A): 59
- Power consumption in standby mode: 0.39 W
- Consumption in off mode: 0.22 W
- Plug type: USA

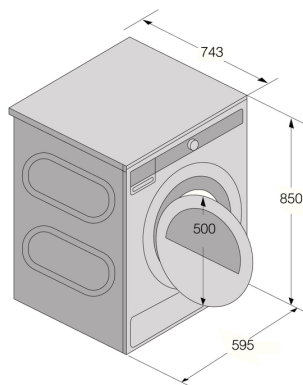
- Connected load: 3400 W
- Voltage (V): 208-240 V
- Number of phases: 1
- Fuse: 30 A
- Frequency: 60 Hz
- Net weight: 93.5 lb
- ISO 14001 certified manufacturing: Yes

Dimensions

- Width: 23 7/16 "
- Height: 33 7/16 "
- Depth: 29 1/4 "
- Depth with door open: 45 7/8 "
- Length of electrical cord: 82 11/16 "
- Venting position / diameter: Left/right/back-diameter 100

Logistic information

- Packaging width: 24 7/16 "
- Packaging height: 36 7/16 "
- Packaging depth: 33 7/8 "
- Gross weight: 104.9 lb
- Product code: 746374
- EAN code: 3838783002495



T086/VWH/XL

