

## Gaggenau

en-us	Use and Care Manual	2
fr-ca	Manuel d'utilisation	24
es-mx	Manual del usuario	47

**RVF417... RVF467...  
RVF477... RVF497..**

Freezer

Congélateur

Congelador

Further information and explanations are available online:



## Table of contents

<b>1 Safety</b> .....	<b>4</b>	8.4 Interior lighting.....	14
1.1 Safety definitions.....	4	8.5 Sabbath mode.....	14
1.2 General information.....	4	8.6 Filter change notification.....	14
1.3 Intended use.....	4	8.7 Factory settings.....	14
1.4 Restrictive Use.....	4	<b>9 Alarm</b> .....	<b>14</b>
1.5 Safe transport.....	4	9.1 Door alarm.....	14
1.6 Safe installation.....	4	9.2 Temperature alarm.....	14
1.7 Safe use.....	5	<b>10 Home Connect®</b> .....	<b>15</b>
1.8 Damaged appliance.....	6	10.1 Setting up Home Connect®.....	15
1.9 State of California Proposition 65 Warnings.....	6	10.2 Switching on the connection to the WLAN home network (Wi-Fi).....	15
<b>2 Preventing material damage</b> .....	<b>7</b>	10.3 Switching off the connection to the WLAN home network (Wi-Fi).....	15
<b>3 Environmental protection and energy-saving</b> .....	<b>7</b>	10.4 Installing updates for the Home Connect® software.....	15
3.1 Disposal of packaging.....	7	10.5 Resetting the Home Connect® settings.....	15
3.2 Saving energy.....	7	10.6 Remote Diagnostics.....	15
<b>4 Installation and connection</b> .....	<b>7</b>	10.7 Data Protection.....	16
4.1 Included in delivery.....	7	<b>11 Freezer compartment</b> .....	<b>16</b>
4.2 Criteria for the installation location.....	8	11.1 Tips for storing food in the freezer compartment ...	16
4.3 Installing the appliance.....	8	11.2 Tips for freezing fresh food.....	16
4.4 Preparing the appliance for first use.....	8	11.3 Defrosting methods for frozen food.....	16
4.5 Connecting the appliance to the drinking water connection.....	8	<b>12 Water system</b> .....	<b>16</b>
4.6 Connecting the appliance to the electricity supply.....	8	12.1 Water filter.....	16
<b>5 Familiarizing yourself with your appliance</b> .....	<b>9</b>	12.2 Filter change notification.....	17
5.1 Appliance.....	9	12.3 Ice maker.....	17
5.2 Control panel.....	10	<b>13 Defrosting</b> .....	<b>18</b>
5.3 Control panel (submenu).....	11	13.1 Defrosting in the freezer compartment.....	18
<b>6 Features</b> .....	<b>11</b>	<b>14 Cleaning and maintenance</b> .....	<b>18</b>
6.1 Shelf.....	11	14.1 Care instructions for stainless steel surfaces.....	18
6.2 Frozen food pull-out container.....	12	14.2 Preparing the appliance for cleaning.....	18
6.3 Door tray.....	12	14.3 Cleaning the appliance.....	18
6.4 Ice storage container.....	12	14.4 Removing the fittings.....	18
6.5 Accessories.....	12	<b>15 Troubleshooting</b> .....	<b>20</b>
<b>7 Basic Operation</b> .....	<b>12</b>	15.1 Power failure.....	22
7.1 Switching on the appliance.....	12	<b>16 Storage and disposal</b> .....	<b>22</b>
7.2 Operating tips.....	12	16.1 Taking the appliance out of operation.....	22
7.3 Switching off the appliance.....	12	16.2 Disposal of your old appliance.....	22
7.4 Setting the temperature unit.....	13	<b>17 Customer Service</b> .....	<b>22</b>
7.5 Setting the temperature.....	13	17.1 Model number (E-Nr.), production number (FD) and consecutive numbering (Z-Nr.).....	23
7.6 Keylock.....	13		
<b>8 Additional functions</b> .....	<b>13</b>		
8.1 Automatic Fast freezing.....	13		
8.2 Manual Fast freezing.....	13		
8.3 Door-opening aid.....	13		

**18 Technical specifications..... 23**  
18.1 Information regarding Free and Open Source  
Software..... 23



# IMPORTANT SAFETY INSTRUCTIONS

## READ AND SAVE THESE INSTRUCTIONS

---

Observe the following safety instructions.

### 1.1 Safety definitions

Here you can find explanations of the safety signal words used in this manual.

#### **WARNING**

This indicates that death or serious injuries may occur as a result of non-observance of this warning.

#### **CAUTION**

This indicates that minor or moderate injuries may occur as a result of non-observance of this warning.

#### **NOTICE:**

This indicates that damage to the appliance or property may occur as a result of non-compliance with this advisory.

**Note:** This alerts you to important information.

### 1.2 General information

- Read this manual carefully.
- Keep the manual and the product information in a safe place for future reference or for the next owner.
- Do not connect the appliance if it has been damaged in transit.

### 1.3 Intended use

Only use this appliance:

- for freezing food and making ice cubes.
- for normal household use and in enclosed spaces in a residential environment.
- Up to an altitude of 9842.5 ft (3000 m) above sea level.

### 1.4 Restrictive Use

This appliance is not intended for use by persons (including children) with reduced physical, sensory or mental capabilities, or lack of experience and knowledge, unless they have been given supervision or instruction concerning use of the appliance by a person responsible for their safety.

Do not let children play with the appliance.

Cleaning and user maintenance must not be performed by children unless they are being supervised.

### 1.5 Safe transport

#### **WARNING**

The appliance is very top-heavy and may tip over.

- ▶ The appliance must be transported by two or more people.
- ▶ Do not remove the appliance from the pallet until it is ready for installation.
- ▶ Keep the door closed until the appliance is secured in the built-in cut-out.

#### **WARNING**

The heavy weight of the appliance may result in injury when lifted.

- ▶ Do not lift the appliance on your own.

### 1.6 Safe installation

#### **WARNING**

To avoid risk of injury from incorrect installations, observe the following.

- ▶ Ensure all installation instructions are followed before use.
- ▶ Connect and operate the appliance only in accordance with the specifications on the rating plate.
- ▶ Connect the appliance to a power supply with alternating current only via a correctly installed socket outlet with grounding.
- ▶ The protective conductor system of the domestic electrical installation must be properly installed.
- ▶ Never equip the appliance with an external switching device, e.g. a timer or remote control.
- ▶ When the appliance is installed, the mains plug of the power cord must be freely accessible. If free access is not possible, an isolating switch must be integrated into the permanent electrical installation according to the installation regulations.
- ▶ When installing the appliance, check that the power cord is not trapped or damaged.

To avoid risk of injury from damaged insulation of the power cord, observe the following.

- ▶ Never let the power cord come into contact with heat sources.



# IMPORTANT SAFETY INSTRUCTIONS

## READ AND SAVE THESE INSTRUCTIONS

### WARNING

If the appliance's ventilation openings are closed off, a leak in the refrigeration circuit may result in a flammable mixture of gas and air.

- ▶ Keep ventilation openings in the appliance casing or in the integrated casing clear of obstruction.

### WARNING

To avoid risk of injury from an extended power cord and non-approved adapters, observe the following.

- ▶ Do not use extension cords or multiple socket strips.
- ▶ Only use adapters and power cords approved by the manufacturer.
- ▶ If the power cord is too short and a longer one is not available, please contact an electrician to make the necessary changes in accordance with national and local electrical codes.

Multiple-socket strips or portable power supply units may overheat and cause a fire.

- ▶ Do not place multiple-socket strips or power supply units on the back of the appliance.

### WARNING

The appliance is very top-heavy and may tip over.

- ▶ The appliance must be installed by two or more people as soon as it is no longer secured and is removed from the pallet.
- ▶ Secure the unit using the supplied anti-tip bracket.
- ▶ Do not leave the appliance unattended during installation.

### CAUTION

Touching sharp edges on the appliance may lead to cuts.

- ▶ Wear protective gloves.

## 1.7 Safe use

### WARNING

Moisture intrusion may cause an electric shock.

- ▶ Use the appliance in enclosed spaces only.
- ▶ Never expose the appliance to intense heat or humidity.
- ▶ Do not use any steam cleaners or high-pressure cleaners to clean the appliance.

### WARNING

To avoid risk of suffocation of children, observe the following.

- ▶ Keep packaging material away from children.
- ▶ Do not allow children to play with packaging material.

Children may breathe in or swallow small parts, causing them to suffocate.

- ▶ Keep small parts away from children.
- ▶ Do not allow children to play with small parts.

### WARNING

Damage to the cooling circuit can create a risk of fire or explosion.

- ▶ To accelerate the defrosting process, do not use any other mechanical devices or means other than those recommended by the manufacturer.
- ▶ If food is stuck to the freezer compartment, loosen it with a blunt implement such as the handle of a wooden spoon.

Products which contain flammable propellants and explosive substances may explode, e.g. spray cans.

- ▶ Do not store products which contain flammable propellants (e.g. spray cans) or explosive substances in the appliance.

### WARNING

Electrical devices placed inside the appliance may cause a fire, e.g. heaters or electric ice makers.

- ▶ Do not operate electrical devices within the appliance.

### WARNING

Containers which contain carbonated drinks may burst.

- ▶ Do not store containers which contain carbonated drinks in the freezer compartment.

Injury to the eyes caused by escaping flammable refrigerant and hazardous gases.

- ▶ Do not damage the tubes of the refrigerant circuit or the insulation.

### WARNING

Contact with frozen food and cold surfaces may cause burns by refrigeration.

- ▶ Never put frozen food straight from the freezer compartment into your mouth.
- ▶ Avoid prolonged skin contact with frozen food, ice and surfaces in the freezer compartment.

### CAUTION

To prevent food from being contaminated, you must observe the following instructions.

- ▶ Leaving the door open for an extended period of time may lead to a considerable temperature increase in the compartments of the appliance.
- ▶ Regularly clean the surfaces that may come into contact with food and accessible drain systems.



# IMPORTANT SAFETY INSTRUCTIONS

## READ AND SAVE THESE INSTRUCTIONS

- ▶ If the fridge/freezer is empty for an extended period of time, switch off the appliance, defrost it, clean it and leave the door open to prevent the formation of mold.

### 1.8 Damaged appliance

#### WARNING

To avoid risk of injury from a damaged appliance or power cord, observe the following.

- ▶ Never operate a damaged appliance.
- ▶ Never pull on the power cord to unplug the appliance. Always unplug the appliance at the power outlet.
- ▶ If the appliance or the power cord is damaged, immediately unplug the power cord or switch off the breaker in the circuit breaker box and turn off the water tap.
- ▶ Call Customer Service. → *Page 22*

To avoid risk of injury from improper repairs, observe the following.

- ▶ Only qualified technicians or authorized service providers should perform repairs.
- ▶ Only genuine spare parts may be used to repair the appliance.
- ▶ If the power cord of this appliance becomes damaged, it must be replaced by the manufacturer, the manufacturer's Customer Service, or an authorized service provider in order to prevent injury.

#### WARNING

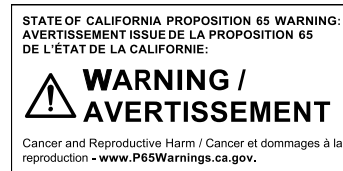


If the tubes are damaged, flammable refrigerant and harmful gases may escape and ignite.

- ▶ Keep open flames and ignition sources away from the appliance.
- ▶ Ventilate the room.
- ▶ Switch off the appliance. → *Page 12*
- ▶ Unplug the appliance from the power source or switch off the circuit breaker in the fuse box.
- ▶ Call Customer Service. → *Page 22*

### 1.9 State of California Proposition 65 Warnings

This product may contain a chemical known to the State of California, which can cause cancer or reproductive harm. Therefore, the packaging of your product may bear the following label as required by California:



## 2 Preventing material damage

### NOTICE:

The high weight of the appliance or, if not rolled in a straight line, the appliance's castors may damage the floor when the appliance is moved.

- ▶ Transport the appliance using a hand-cart.
- ▶ Use floor protection when moving the appliance, and do not move it in a zigzag fashion.

Using the base, runners or appliance doors as a seat or climbing surface may damage the appliance.

- ▶ Do not stand or lean on the base, runners or doors.

To avoid damage to the appliance or property damage, observe the following.

- ▶ Do not connect the appliance to the water line during construction or if the water appears cloudy or contains visible particles. Failure to follow these instructions may result in foreign materials entering the appliance, which could impair its performance, or cause water leakage.

If the water pressure is too high or too low, this may impair functioning of the appliance.

- ▶ Make sure that the water pressure in the water supply system is at least 29 psi (200 kPa) and max. 116 psi (800 kPa).
- ▶ If the water pressure exceeds the maximum value specified, a pressure-reducing valve must be installed between the drinking water connection and the hose set of the appliance.

Modified or damaged water hoses may result in material damage and damage to the appliance.

- ▶ Never kink, crush, modify or cut through water hoses.
- ▶ Never re-use water hoses that have been used before.
- ▶ Never pull on the water hose on the rear panel of the appliance.

Contamination with oil or fat may cause plastic parts and door seals to become porous.

- ▶ Keep plastic parts and door seals free of oil and grease.

If you clean fittings and accessories in the dishwasher, this may cause them to become deformed or discolored.

- ▶ Never clean fittings and accessories in the dishwasher.

## 3 Environmental protection and energy-saving

### 3.1 Disposal of packaging

The packaging materials are environmentally compatible and can be recycled.

- ▶ Sort the individual components by type and dispose of them separately.

## 3.2 Saving energy

If you follow these instructions, your appliance will use less power.

### Selecting the installation location

- Keep the appliance out of direct sunlight.
- Install the appliance as far away as possible from heating elements, stoves and other heat sources:
  - Maintain a 1<sup>1</sup>/<sub>4</sub>" (30 mm) clearance to electric or gas stoves.
  - Maintain an 11<sup>13</sup>/<sub>16</sub>" (300 mm) clearance to oil or solid-fuel stoves.
- Never cover or block the external ventilation openings.

### Saving energy during use

**Note:** The arrangement of the fittings does not affect the energy consumption of the appliance.

- Open the appliance only briefly and then close it carefully.
- Never cover or block the interior ventilation openings or the exterior ventilation openings.
- Transport purchased food in a cooler and place quickly in the appliance.
- Allow warm food and drinks to cool down before storing them.
- Always leave some space between the food and to the back panel.

### Control panel energy-saving mode

If the appliance is not being used, the control panel automatically switches to control panel energy-saving mode.

In control panel energy-saving mode, the selection option for the ice and water dispenser is shown with reduced brightness.

**Note:** If Fast freezing is switched on, **\*\*** lights up.

Control panel energy-saving mode is deactivated as soon as you operate the control panel, press the dispensing button, or open the door.

## 4 Installation and connection

### 4.1 Included in delivery

After unpacking all the parts, check for any damage in transit and for completeness of delivery.

If you have any concerns, contact your dealer or our Customer Service → *Page 22*.

The delivery consists of the following:

- Equipment and accessories<sup>1</sup>
- Installation material
- Installation instructions
- User manual
- Explanation of the limited product warranty

<sup>1</sup> Depending on the appliance specifications

- Warranty enclosure<sup>1</sup>
- Energy label
- Information on energy consumption and noises
- Information about Home Connect®

## 4.2 Criteria for the installation location

### WARNING

If the appliance is in a space that is too small, a leak in the refrigeration circuit may result in a flammable mixture of gas and air.

- ▶ Only install the appliance in a space with a volume of at least 35 ft<sup>3</sup> (1 m<sup>3</sup>) per 0.3 oz (8 g) refrigerant. The amount of refrigerant is indicated on the rating label.  
→ "Appliance", Fig. 1/7, Page 10

The weight of the appliance from factory may be up to 410 lbs (185 kg) depending on the model.  
The subfloor must be sufficiently stable to bear the weight of the appliance.

## 4.3 Installing the appliance

- ▶ Install the appliance in accordance with the enclosed installation instructions.

## 4.4 Preparing the appliance for first use

1. Remove the information material.
2. Remove the protective film and transit bolts, e.g. remove the adhesive strips and cardboard.
3. Clean the appliance for the first time. → Page 18

## 4.5 Connecting the appliance to the drinking water connection

### Requirements

- A shut-off valve must be installed on the water connection and be freely accessible following installation of the appliance.
  - Ensure that the water coming from the water connection is potable.
  - The water hose has a sealing ring.
1. Draw mains water from the domestic drinking water connection until the water is no longer cloudy and containers no deposits.  
If the mains water is still cloudy or contains deposits, install an external water filter system.
  2. Install the water hose according to the enclosed installation instructions on the appliance.

## 4.6 Connecting the appliance to the electricity supply

1. Insert the power plug of the appliance's power cord in a socket outlet with grounding nearby.

The connection data of the appliance can be found on the rating plate. → "Appliance", Fig. 1/7, Page 10

2. Check the power plug is inserted properly.
- ✓ The control panel shows an animation and is locked.
  - ✓ The appliance is ready to use once the animation has ended and the temperature displays light up.

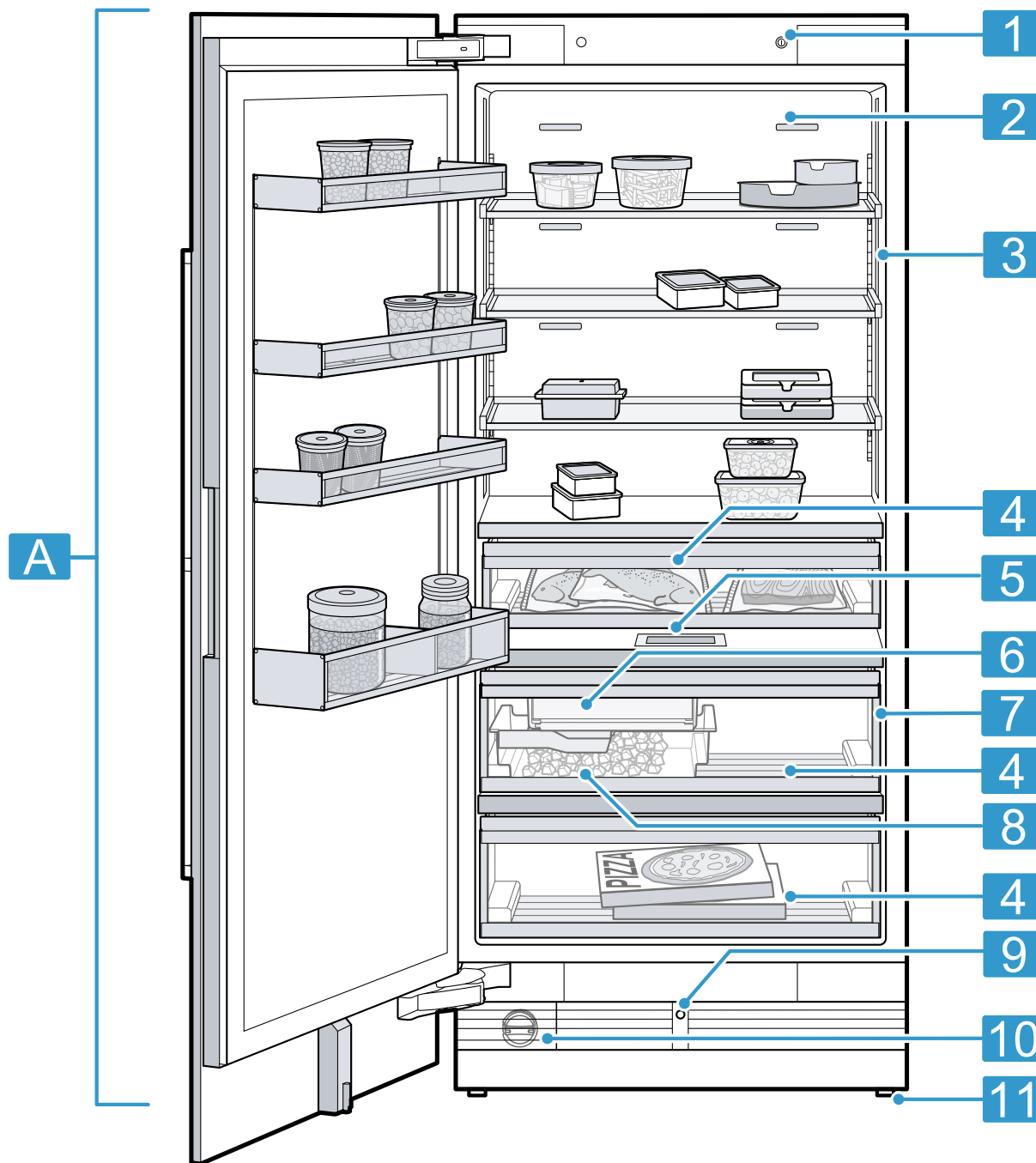
---

<sup>1</sup> Not in all countries

## 5 Familiarizing yourself with your appliance

### 5.1 Appliance

Here you can find an overview of the parts of your appliance.



**1** Deviations between your appliance and the diagrams may differ with regard to their features and size.

**A** Freezer compartment → *Page 16*

**1** Main switch

**2** Inner ventilation openings (freezer compartment)

**3** Lighting

**4** Frozen food pull-out container → *Page 12*

**5** Control panel → *Page 10*

**6** Ice cube maker → *Page 17*

**7** Rating label → *Page 23*

**8** Ice storage container → *Page 12*

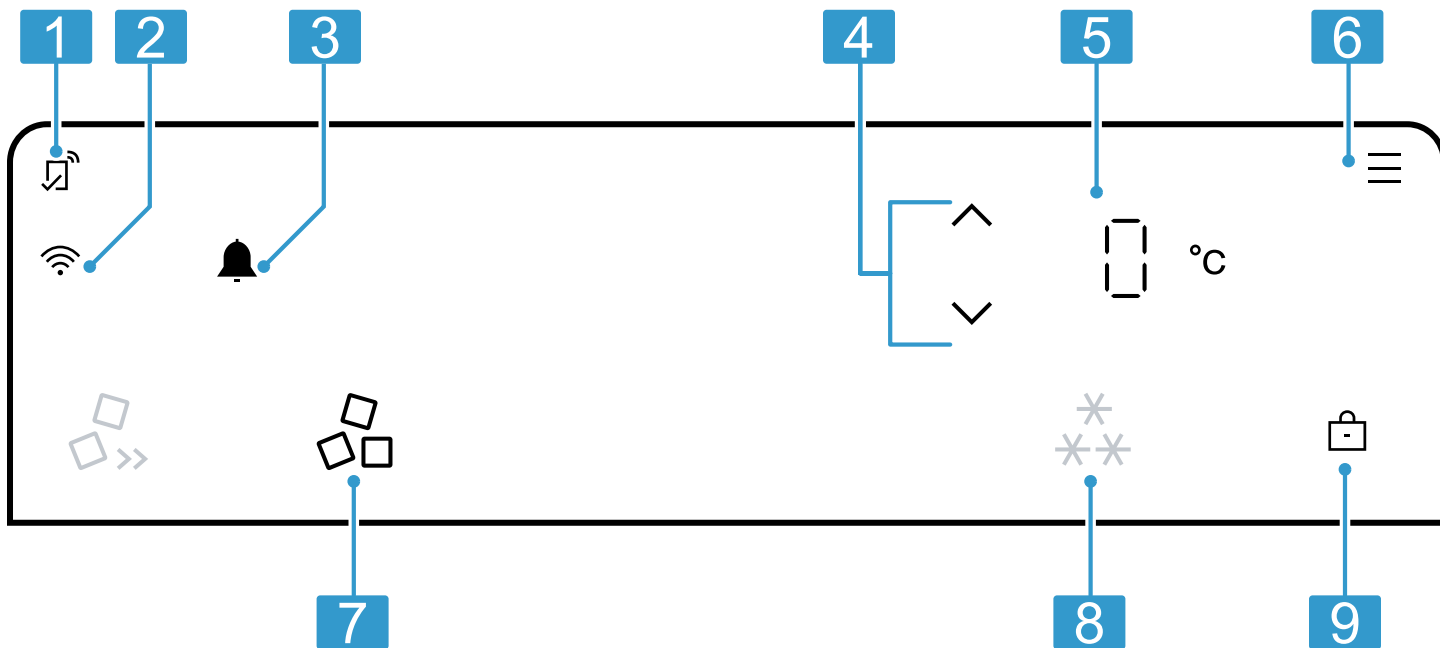
**9** Door-opening aid → *Page 13*

**10** Water filter → *Page 16*

**11** Screw foot

## 5.2 Control panel

You can use the control panel to configure all functions of your appliance and to obtain information about the operating status.



**2**

**1** lights up if user-defined settings have been set via the Home Connect® app. You can find more information in the Home Connect® app.

**2** switches the connection to the WLAN home network (Wi-Fi) on or off.

**3** switches the warning signal off.

**4** (Freezer compartment) sets the temperature of the freezer compartment.

**5** Displays the set temperature for the freezer compartment in °F or °C.

**6** opens and closes the menu.

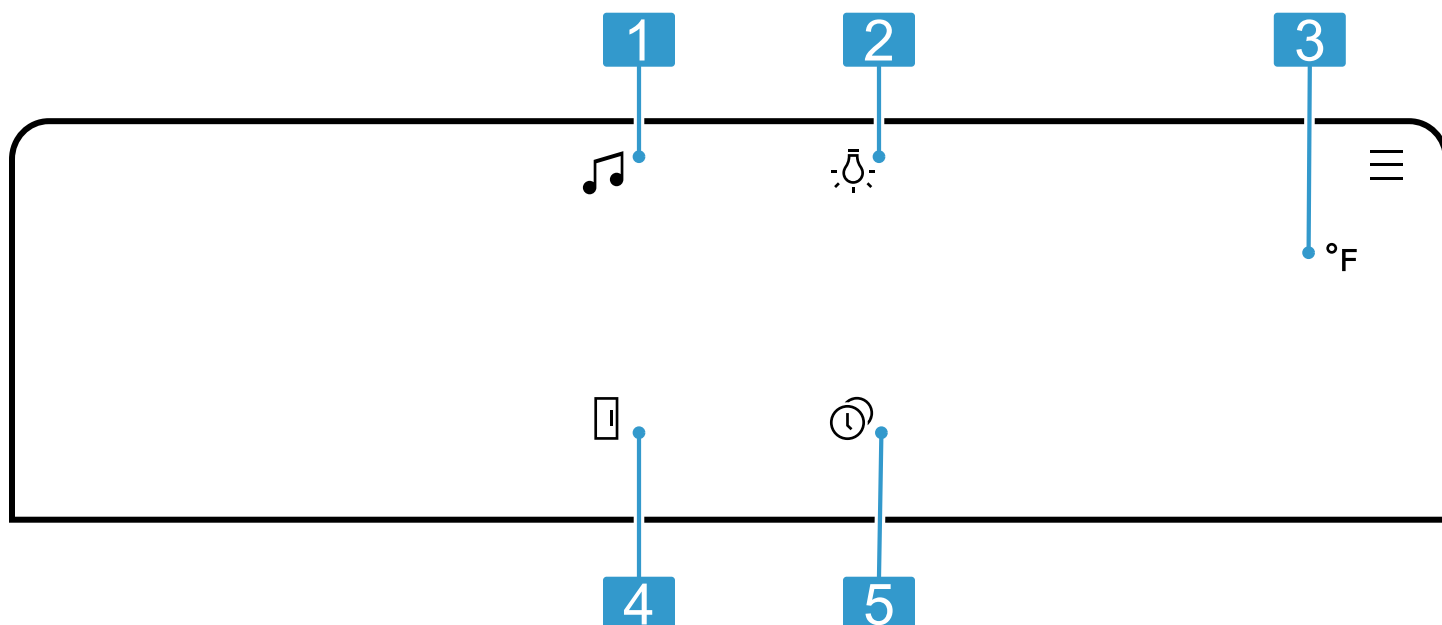
**7** switches ice cube production off or on.

**8** switches Fast freezing on or off.

**9** switches the keylock for the control panel on or off.

### 5.3 Control panel (submenu)

You can configure further settings in the submenu.

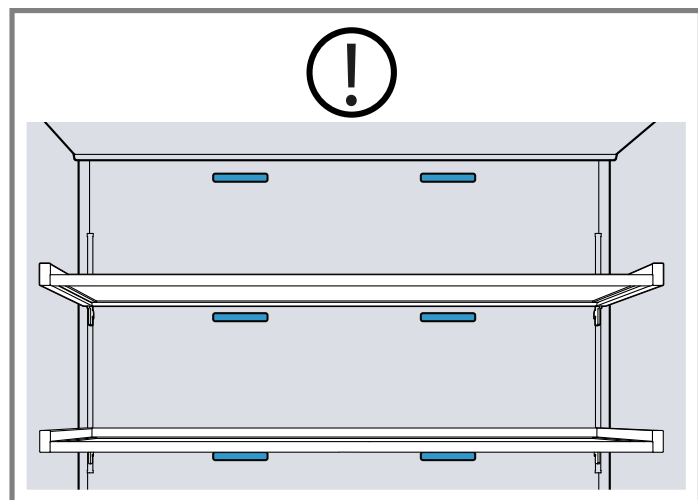


3

- 1 🎵 opens the menu for setting the tones.
- 2 💡 opens the menu for setting the lighting.
- 3 °C/°F opens the menu for changing the temperature unit.
- 4 🚪 opens the menu for setting the door-opening aid.
- 5 🕒 opens the menu for setting Sabbath mode.

#### Note

To avoid impeding the circulation of air, do not cover the inner ventilation openings.



## 6 Features

The features of your appliance depend on the model.

### 6.1 Shelf

#### NOTICE:

If fitted at an angle, the hooks on the shelf can scratch the rear panel of the refrigerator compartment.

- ▶ Ensure that the shelf is horizontal and that the hooks are properly fitted in place.

To vary the shelf as desired, you can remove the shelf and re-insert it elsewhere.

→ "Removing the shelf", Page 18

## 6.2 Frozen food pull-out container

In order to achieve an improved overview and to remove frozen food more quickly, remove the frozen food pull-out container.

## 6.3 Door tray

To adjust the door tray as desired, you can remove the door tray, and re-insert it elsewhere.

→ "Removing the door tray", Page 19

## 6.4 Ice storage container

If ice cube production is switched on, the ice cubes are automatically stored in the ice cube container.

### NOTICE:

The ice maker may become blocked or damaged by food or objects stored in the ice storage container.

- ▶ Never store food or objects in the ice storage container.

**Note:** To prevent the ice cube container from being overfilled, do not manually distribute the ice cubes throughout the ice cube container.

**Tip:** To ensure that no ice cubes fall out of the back of the ice cube container when removing them, always open the frozen food pull-out container fully.

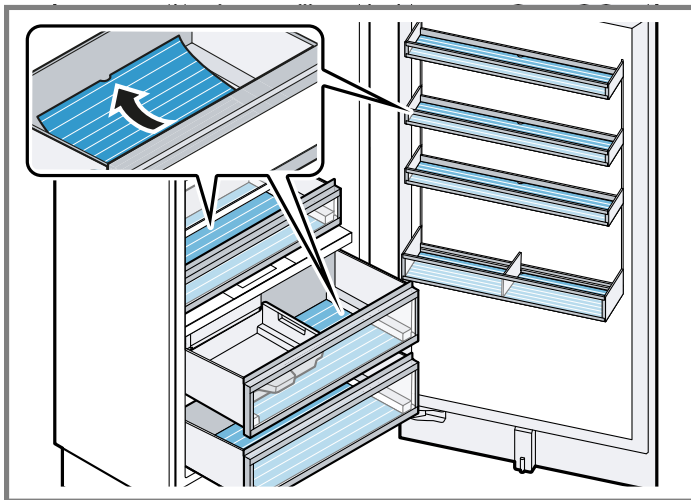
## 6.5 Accessories

Only use genuine accessories. These are designed especially for your appliance.

The accessories for your appliance depend on the model.

### Anti-slip mat

The anti-slip mat prevents bottles and food from slipping. Condensation may form on the anti-slip mat depending on the type and quantity of food stored. Where necessary, remove the anti-slip mat and wipe away the condensation with a dry cloth.

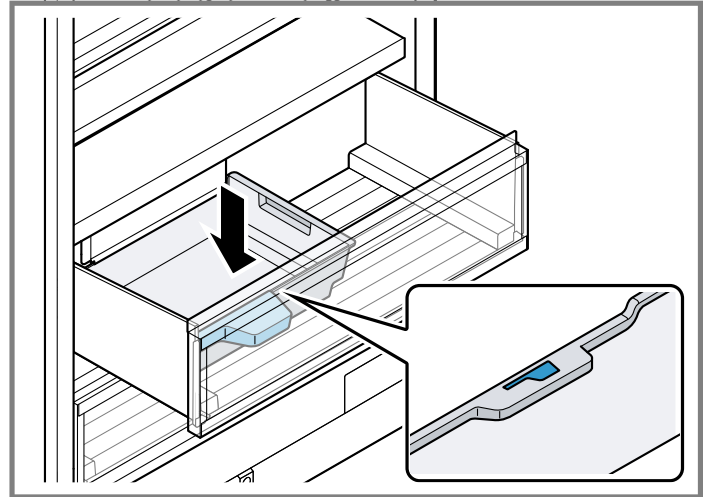


### Ice scoop

You can use the ice scoop to remove a portion of ice cubes.

### Tip

Position the ice shovel on the front side of the ice storage container.



## 7 Basic Operation

### 7.1 Switching on the appliance

1. Switch on the appliance at the main switch.  
→ "Appliance", Fig. 1/1, Page 9
  - ✓ The control panel shows an animation and is locked.
  - ✓ The appliance is ready to use once the animation has ended and the temperature displays light up.
  - ✓ The appliance begins to cool.
2. Switch off the warning tone using 📢.
  - ✓ 📢 goes out as soon as the set temperature has been reached.
3. Set the desired temperature. → Page 13

### 7.2 Operating tips

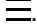
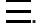
- Once you have switched on the appliance, the set temperature is only reached after several hours. Do not put any food in the appliance until the set temperature has been reached.
- When closing the door, make sure that the door is not blocked by stored items.
- When you close the door, a vacuum may be created. The door is then difficult to open again. Wait a moment until the vacuum is offset.
- The temperature in the appliance varies due to the following conditions:
  - How often the appliance is opened
  - Load capacity
  - Temperature of newly stored food
  - Ambient temperature
  - Direct sunlight

### 7.3 Switching off the appliance

- ▶ Switch off the appliance at the main switch.  
→ "Appliance", Fig. 1/1, Page 9



## 7.4 Setting the temperature unit

You can choose between the temperature unit °F and °C.

1. Press .
2. Press °C/°F.
3. Press .

## 7.5 Setting the temperature

### Setting the freezer compartment temperature



- ▶ Press / (Freezer compartment) repeatedly until the temperature display (freezer compartment) shows the desired temperature setting.

The recommended temperature in the freezer compartment is 0 °F (-18 °C).



## 7.6 Keylock

The button lock prevents the appliance from being operated accidentally or incorrectly while running.

### Switching on the keylock

- ▶ Press and hold  for 2 seconds.
- ✓  lights up.

### Switching off the keylock

- ▶ Press and hold  for 2 seconds.
- ✓  goes out.

# 8 Additional functions

Find out which additional functions can be used for your appliance. Additional functions can be set via the Home Connect® app.

## 8.1 Automatic Fast freezing

With automatic Fast freezing, the freezer compartment cools down to a much lower temperature than in normal mode. This freezes food more quickly.


The automatic Fast freezing is switched on if you place a certain volume of fresh food in the appliance.

Automatic Fast freezing is activated at the factory. You can deactivate automatic Fast freezing.


If automatic Fast freezing is switched on, increased noise may occur.

After operation, the appliance switches from automatic Fast freezing to normal operation.

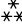
### Activating automatic Fast freezing

- ▶ Press and hold  for 3 seconds until a signal tone sounds.
- ✓ If 2 audible signals sound, the automatic Fast freezing is activated.

### Deactivating automatic Fast freezing

- ▶ Press and hold  for 3 seconds until a signal tone sounds.
- ✓ If three audible signals sound, the automatic Fast freezing is deactivated.

### Canceling automatic Fast freezing

- ▶ Press .
- ✓ The previously set temperature is displayed.

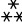
## 8.2 Manual Fast freezing

With Fast freezing, the freezer compartment cools as cold as possible.

Switch on Fast freezing 4 to 6 hours before placing food weighing 4.4 lbs (2 kg) or more into the freezer compartment.

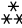
**Note:** When Fast freezing is switched on, increased noise may occur.

### Switching on manual Fast freezing

- ▶ Press .
- ✓  lights up.

**Note:** After approximately 8 hours, the appliance switches to normal operation.

### Switching off manual Fast freezing

- ▶ Press .
- ✓ The previously set temperature is displayed.

## 8.3 Door-opening aid

The door-opening aid supports you in opening the door.

### Opening the door using the door-opening aid

#### **NOTICE:**

Repeatedly closing the door prematurely may lead to wear or failure of the door-opening aid. Never close the door while the door-opening aid is extended.

- ▶ If you have closed the door, leave it closed for 5 minutes. The door-opening aid is realigned.

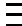



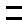
1. Push the door in the center.

- ✓ The door-opening aid extends and opens the door slightly.

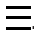



2. Manually open the door.

If you do not open the door any further within 3 seconds, the door-opening aid retracts and the door closes.

### Switching off the door-opening aid

1. Press .
2. Press .
3. Press / until "OFF" lights up.
4. Press .

### Switching on the door-opening aid

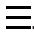
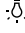

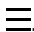
1. Press .
2. Press .
3. Press  until "ON" lights up.
4. Press .

## 8.4 Interior lighting

You can set the brightness of the interior lighting.

1	Minimum brightness
6	Maximum brightness
A	Automatic interior lighting
d	Dark interior lighting
5	Standard interior lighting
b	Bright interior lighting

### Setting the interior lighting


1. Press .
2. Press .
3. Press  until the setting display submenu shows the desired setting.
4. Press .

## 8.5 Sabbath mode





To ensure that you can also use the appliance on the Sabbath, the Sabbath mode switches off all non-essential functions.

During Sabbath mode, the following functions are switched off:

- Automatic Fast freezing and manual Fast freezing
- Alarm
- Ice cube production
- Interior lighting
- Audible signals
- Messages on the control panel



**Note:** The control panel lighting is switched off during Sabbath mode.  lights up at a reduced brightness level.

### Switching on Sabbath mode


1. Press .
2. Press .
3. Press  until "ON" lights up.
4. Press .

**Note:** After approx. 74 hours, the appliance switches to normal mode.

### Switching off Sabbath mode



- ▶ Press and hold  until an audible signal sounds.
- ✓  goes out.

## 8.6 Filter change notification

Every 6 months, the filter change notification will come on.  flashes.

**Note:** Increased water consumption switches the filter change notification on sooner.


### Switching off the filter change notification

1. Replace the water filter.  
The bypass cap does not need to be replaced.
  2. Press .
- ✓  goes out.
  - ✓ The filter change status is reset.

## 8.7 Factory settings

In the event of malfunctions, you can reset the appliance to its factory settings.


### Resetting the appliance to the factory settings

- ▶ Press and hold  for 4 to 7 seconds until a signal tone sounds.
- ✓ "OO" lights up during the process.
- ✓ After resetting, the appliance returns to normal mode.


# 9 Alarm

## 9.1 Door alarm

If the appliance door is open for a while, the door alarm switches on.


A warning tone sounds,  flashes and the set temperature for the affected compartment flashes.

### Switching off the door alarm

- ▶ Close the appliance door or press .
- ✓ The warning tone is switched off.

## 9.2 Temperature alarm

If the freezer compartment becomes too warm, the temperature alarm will switch on.

A warning tone sounds,  flashes and the set temperature for the affected compartment flashes.

### CAUTION

During the thawing process, bacteria may multiply and spoil the frozen food.


- ▶ Do not refreeze partly or completely thawed food.
- ▶ Refreeze food only after cooking.
- ▶ The frozen items should no longer be stored for the maximum storage period.

The temperature alarm can be switched on in the following cases:

- The appliance is switched on.  
Do not store any food until the appliance has reached the set temperature.
- Large quantities of fresh food are being placed inside.  
Switch on Fast freezing before placing large quantities of food in the appliance.
- The freezer compartment door is open for too long.

Check whether the frozen food has defrosted or thawed.

### Switching off the temperature alarm

- ▶ Press .
- ✓ The warning tone is switched off.
- ✓ From this time on, the warmest temperature is recalculated and saved.

## 10 Home Connect®

This appliance is network-capable. Connecting your appliance to a mobile device lets you control its functions via the Home Connect® app.

The Home Connect® services are not available in every country. The availability of the Home Connect® function depends on the availability of the Home Connect® services in your country. You can find information on this at: [www.home-connect.com](http://www.home-connect.com).

To be able to use Home Connect®, you must first set up the connection to the WLAN home network (Wi-Fi<sup>1</sup>) and to the Home Connect® app.

After switching on the appliance, wait at least 3 minutes until internal device initialization is complete. Only then should you set up Home Connect®.

The Home Connect® app guides you through the entire registration process. Follow the instructions, noting the information in the Home Connect® app.

### Notes

- Note the safety information in this instruction manual and ensure that it is also observed when operating the appliance using the Home Connect® app.  
→ "Safety", Page 4
- Operating the appliance on the appliance itself always takes priority. It is not possible to operate the appliance using the Home Connect® app during this time.

### 10.1 Setting up Home Connect®

**Requirement:** The appliance receives signals from the WLAN home network (Wi-Fi) at its installation location.

1. Scan the following QR code.



You can install the Home Connect® app and connect your appliance via the QR code.

2. Follow the instructions in the Home Connect® app.

### 10.2 Switching on the connection to the WLAN home network (Wi-Fi)

- ▶ Press .

### 10.3 Switching off the connection to the WLAN home network (Wi-Fi)

- ▶ Press .


### 10.4 Installing updates for the Home Connect® software

**Note:** If an update of the Home Connect® software is available, a message appears in the Home Connect® app. You can find the current software version in the Home Connect® app under the appliance information for the appliance.

- ▶ To install the update for the Home Connect® software, follow the instructions in the Home Connect® app.
- ✓ The control panel is partially locked during the installation.

### 10.5 Resetting the Home Connect® settings

If your appliance experiences connection problems with the WLAN home network (Wi-Fi) or your appliance wants to log into a different WLAN home network (Wi-Fi), you can reset the Home Connect® settings.

- ▶ Press and hold  for 7 to 10 seconds until a third audible signal sounds.
- ✓ The Home Connect® settings have been reset.

### 10.6 Remote Diagnostics

Customer Service can access your appliance via Remote Diagnostics if you ask them to do so, provided your appliance is connected to the Home Connect® server and Remote Diagnostics is available for your appliance and

<sup>1</sup> Wi-Fi is a registered trade mark of the Wi-Fi Alliance.

country. For more information on Remote Diagnostics' availability in your country, visit the Service/Support section of your local website: [www.home-connect.com](http://www.home-connect.com). Please be aware that while Remote Diagnostics can assist in troubleshooting select issues, there may be instances where an on-site service visit is required if the problem cannot be resolved remotely.

## 10.7 Data Protection

Please read this information on data protection. The first time your appliance is registered on a home network connected to the Internet, your appliance transmits the following types of data to the Home Connect® server (initial registration):

- Unique appliance identification (consisting of appliance codes as well as the MAC address of the installed Wi-Fi communication module).
- Security certificate of the Wi-Fi communication module (to ensure a secure data connection).
- The current software and hardware version of your home appliance.
- Status of any previous reset to factory settings.

This initial registration prepares the Home Connect® functions for use and is only required when you want to use the Home Connect® functions for the first time.

**Note:** Please note that the Home Connect® functions can only be used in conjunction with the Home Connect® app. Information on data protection can be retrieved in the Home Connect® app.

---

## 11 Freezer compartment

You can store frozen food, freeze food and make ice cubes in the freezer compartment.

The temperature can be set from 6 °F (-14 °C) to -6 °F (-21 °C).

Long-term storage of food should be at 0 °F (-18 °C) or lower.

To protect foods from freezer burn, a temperature setting of -11 °F (-24 °C) is possible.

To protect fatty foods such as fish and meat from oxidation, a permanent temperature setting of -11 °F (-24 °C) is possible.

● lights up from a freezer compartment temperature of -11 °F (-24 °C).

The freezer compartment can be used to store perishable foods long-term. The low temperatures slow down or stop the spoilage.

### 11.1 Tips for storing food in the freezer compartment

- Store food in air-tight packaging.
- Do not bring food which is to be frozen into contact with frozen food.
- Place the food over the whole area of the frozen food containers.

### 11.2 Tips for freezing fresh food

- Freeze fresh and undamaged food only.
- Freeze food in portions.
- Cooked food is more suitable for freezing than food that can be eaten raw.
- Vegetables: Wash, chop up and blanch before freezing.
- Fruit: Wash, pit and perhaps peel, possibly add sugar or ascorbic acid solution.
- Food that is suitable for freezing includes baked items, fish and seafood, meat, game, poultry, eggs without shells, cheese, butter and curd cheese, prepared meals and leftovers.
- Food that is unsuitable for freezing includes lettuce, radishes, eggs in shells, grapes, raw apples and pears, yogurt, sour cream, crème fraîche and mayonnaise.

### Packing frozen food

If you select suitable packaging material and the correct type of packaging, you can determine the product quality and prevent freezer burn.

1. Place the food in the packaging.
2. Squeeze out the air.
3. Pack food airtight to prevent it from losing flavor or drying out.
4. Label the packaging with the contents and the date of freezing.

### 11.3 Defrosting methods for frozen food

#### CAUTION

During the thawing process, bacteria may multiply and spoil the frozen food.

- ▶ Do not refreeze partly or completely thawed food.
- ▶ Refreeze food only after cooking.
- ▶ The frozen items should no longer be stored for the maximum storage period.
- Defrost animal-based food, such as fish, meat, cheese, curd cheese, in the refrigerator compartment.
- Defrost bread at room temperature.
- Prepare food for immediate consumption in the microwave, in the oven, or on the cooktop.

---

## 12 Water system

Your appliance is equipped with water-carrying components.

The water system only works if a water filter or a bypass cap is installed.

Switch off ice cube production before disconnecting the appliance from the drinking water connection. → *Page 18*

### 12.1 Water filter

The water filter filters particles and the taste of chlorine out of the water.

The water filter reduces further contamination, e.g. from chloramines, lead and pharmaceutical products.

**Note:** The water filter does not filter bacteria or microbes out of the water.

Change the water filter:

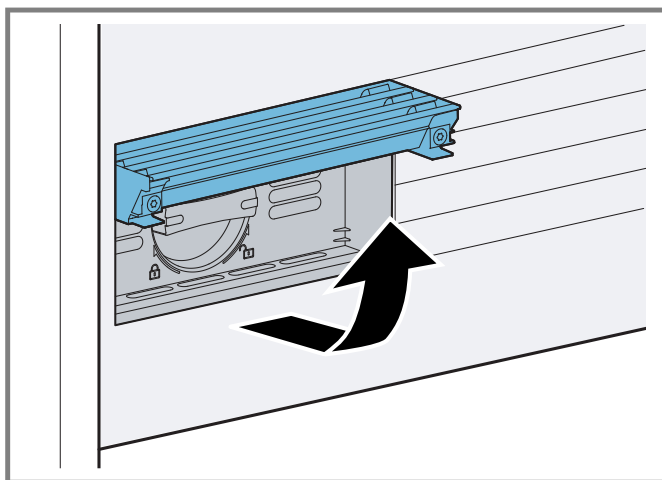
- Every 6 months.
- If ☉ lights up.
- If the water output has visibly reduced.
- If ice cube production has visibly reduced.

#### Tips

- A new water filter can be purchased from our customer service, your dealer or our website.
- If you do not want to use a water filter in your appliance or an external water filter system is installed, you can permanently replace the water filter with a bypass cap. The bypass cap filters only large particles out of the water and can be cleaned as required. A bypass cap can be purchased from customer service or our website.

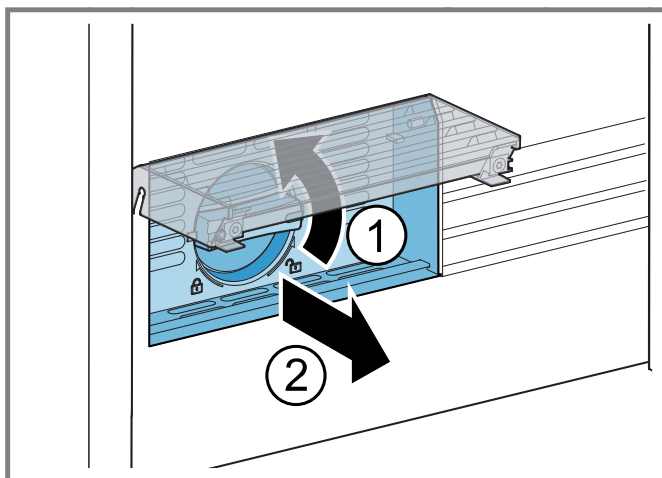
### Changing the water filter or replacing it with a bypass cap

1. Hinge the filter cover upwards.



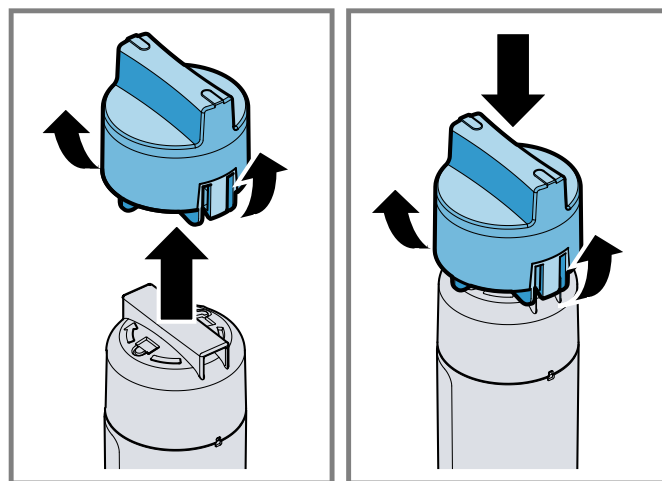
2. Turn the water filter counterclockwise by 90° ① and remove it ②.

- Remove the water filter with care as it is under pressure.



**Tip:** You can dispose of the old water filter with your household garbage.

3. Take off the cap of the used water filter and put it on the new water filter or a bypass cap.



4. Insert the new water filter or the bypass cap in the filter opening as far as it will go and turn it 90° clockwise as far as it will go.
5. Close the filter cover.
6. Discard the ice cubes produced during the first 24 hours, and dispense water for 5 minutes and discard.

## 12.2 Filter change notification

Every 6 months, the filter change notification will come on. ☉ flashes.

**Note:** Increased water consumption switches the filter change notification on sooner.

### Switching off the filter change notification

1. Replace the water filter.

The bypass cap does not need to be replaced.

2. Press ☉.
- ✓ ☉ goes out.
  - ✓ The filter change status is reset.

## 12.3 Ice maker

Use the ice maker to produce ice cubes.

### ⚠ WARNING

Rotating parts may cause injury.

- ▶ Never reach into or underneath the ice maker.

❏	Ice cube production
❏	Accelerated ice cube production

**Note:** The ice cube maker automatically detects that the ice storage container is full and stops producing ice cubes. It may take up to 48 hours until the ice storage container is full.

**Tip:** If the ice cubes taste stale, dispose of the remaining ice cubes and the cubes produced over the next 24 hours. If the ice cubes still taste stale, change the water filter.

## Putting the ice maker into operation


### Notes

- Ice cube production starts as soon as the appliance is switched on and the freezer compartment has reached the set temperature.
- As soon as the freezer compartment reaches the set temperature, the first batch of ice cubes will be ready in approximately 4 hours.


**Requirement:** The appliance is connected to the drinking water connection.

- For hygiene reasons, discard the ice cubes produced within the first 24 hours.

### Switching on ice cube production

- Touch the control panel.
- Touch .

### Switching off ice cube production

- Touch the control panel.
- Touch .

## 13 Defrosting

### 13.1 Defrosting in the freezer compartment

The fully automatic NoFrost system ensures that the freezer compartment remains frost-free. Defrosting is not required.

## 14 Cleaning and maintenance

**Note:** The Statement of Limited Product Warranty covers defects in materials and workmanship. Cleaning and maintenance is not covered by the warranty and a charge will apply. See the Statement of Limited Product Warranty for more details.

### 14.1 Care instructions for stainless steel surfaces

When taking care of and cleaning stainless steel surfaces, use only cleaning cloths and cleaning agents suitable for stainless steel.

#### Tips

- To prevent visible scratches, wipe the stainless steel surface in the direction of the grain.
- Suitable cleaning agents and cleaning cloths are available from our customer service, your dealer or on our website.

### 14.2 Preparing the appliance for cleaning

- Switch off the appliance. → *Page 12*
- Disconnect the appliance from the power supply.

Unplug the appliance from the power source or switch off the circuit breaker in the fuse box.

- Take out all of the food and store it in a cool place. Place ice packs (if available) onto the food.
- Remove all fittings and accessories from the appliance. → *Page 18*

### 14.3 Cleaning the appliance

#### WARNING

Moisture entering the appliance may cause electrical shock.

- Do not use any steam cleaners or high-pressure cleaners to clean the appliance.

#### NOTICE:

Unsuitable cleaning agents may damage the surfaces of the appliance.

- Do not use hard scouring pads or cleaning sponges.
- Do not use strong or abrasive cleaning agents.
- Do not use cleaning agents with a high alcohol content. If you clean fittings and accessories in the dishwasher, this may cause them to become deformed or discolored.
- Never clean fittings and accessories in the dishwasher.

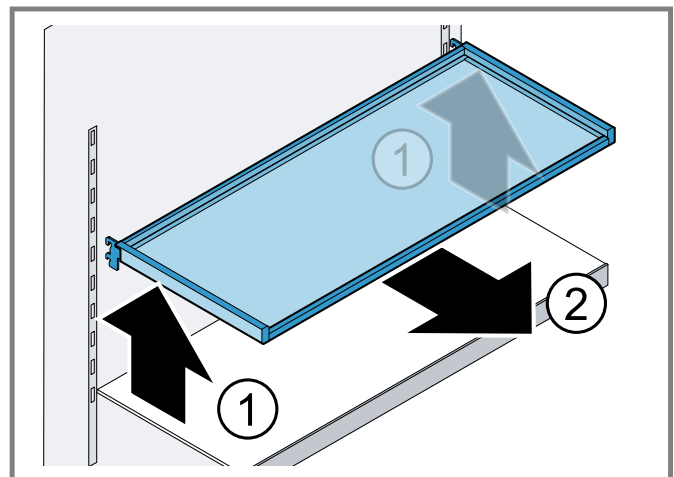
- Prepare the appliance for cleaning. → *Page 18*
- Clean the appliance, the fittings, the accessories and the door seals with a dish cloth, lukewarm water and a little pH-neutral dishwashing liquid.
- Dry thoroughly with a soft, dry cloth.
- Insert the fittings.
- Connect the appliance to the electricity supply. → *Page 8*
- Switch on the appliance. → *Page 12*
- Put the food into the appliance.

### 14.4 Removing the fittings

If you want to clean the fittings thoroughly, remove these from your appliance.

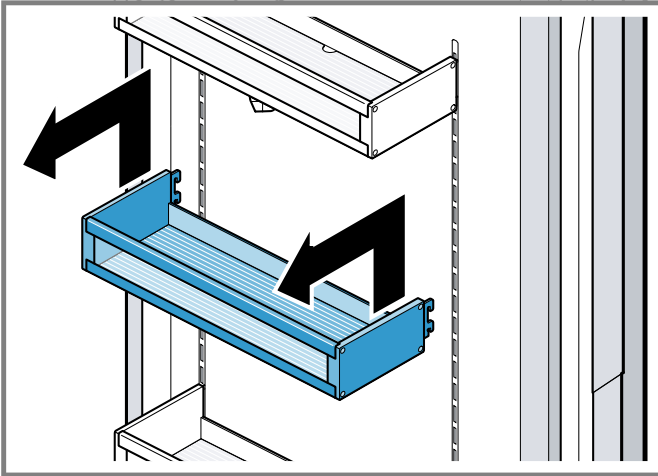
#### Removing the shelf

- Lift the shelf ① and remove it ②.

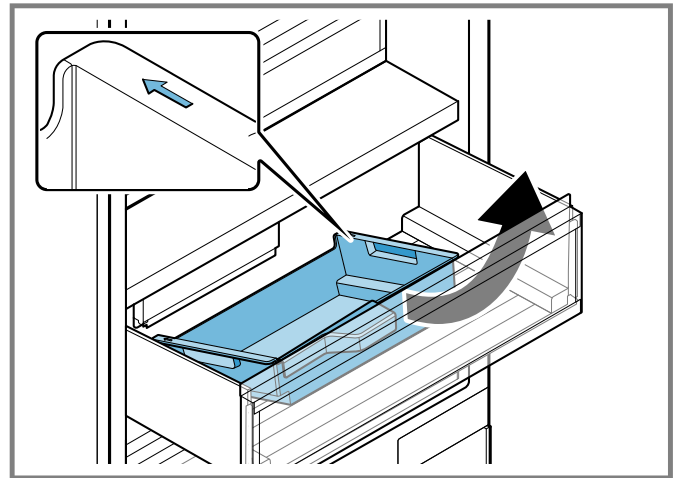


### Removing the door tray

- ▶ Lift the door tray and remove it.

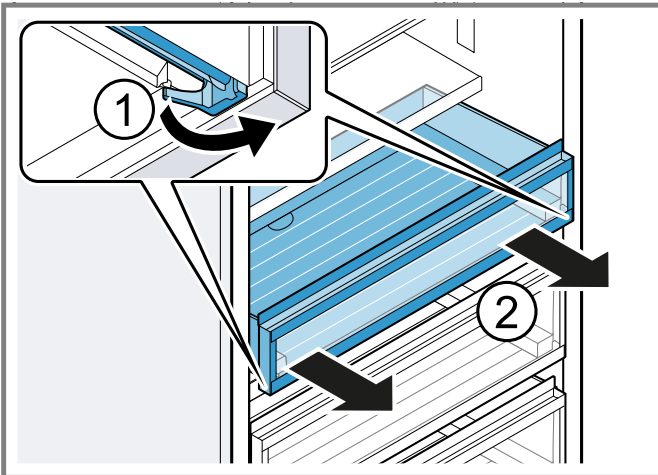


2. Lift the ice storage container at the front and remove it.



### Removing the frozen food pull-out container

1. Pull out the frozen food pull-out container as far as it will go.
2. Below the frozen food pull-out container on both sides, press the telescopic rail lock from the inside outward ① and remove the frozen food pull-out container ②.



### Removing the ice storage container

1. Pull out the frozen food pull-out container as far as it will go.

## 15 Troubleshooting

You can eliminate minor issues on your appliance yourself. Please read the information on eliminating issues before contacting Customer Service. This may avoid unnecessary repair costs.

**⚠ WARNING**

To avoid risk of injury from improper repairs, observe the following.

- ▶ Only qualified technicians or authorized service providers should perform repairs.

- ▶ Only genuine spare parts may be used to repair the appliance.
- ▶ If the power cord of this appliance becomes damaged, it must be replaced by the manufacturer, the manufacturer's Customer Service, or an authorized service provider in order to prevent injury.

Issue	Cause and troubleshooting
The appliance is not cooling, the displays and lighting are lit.	Showroom mode is switched on. <ol style="list-style-type: none"> <li>1. Disconnect the appliance from the power supply. Unplug the power plug or switch off the circuit breaker in the fuse box.</li> <li>2. Reconnect the appliance after 5 minutes.</li> <li>3. Press and hold ** until 4 audible signals have sounded.</li> <li>4. After a short time, check whether your appliance is cooling.</li> </ol>
The LED lighting does not work.	Various causes are possible. <ul style="list-style-type: none"> <li>▶ Call customer service. → "Customer Service", Page 22</li> </ul>
The refrigeration unit is switching on more frequently and for longer.	The appliance has been opened frequently. <ul style="list-style-type: none"> <li>▶ Do not open appliance door unnecessarily.</li> </ul> External ventilation openings are covered up. <ul style="list-style-type: none"> <li>▶ Remove any obstructions from in front of the external ventilation openings.</li> </ul> Not a fault. Modern refrigeration machines switch on more frequently and have different power levels to cool more efficiently. <ul style="list-style-type: none"> <li>▶ Remove any obstructions from in front of the external ventilation openings.</li> <li>▶ Install the appliance as far away as possible from heating elements, cookers and other heat sources. Avoid prolonged exposure of the appliance to direct sunlight.</li> <li>▶ Only open the appliance door as briefly as necessary.</li> <li>▶ Allow hot food and drinks to cool down first before storing in the appliance.</li> </ul>
Home Connect® is not working properly.	Various causes are possible. <ul style="list-style-type: none"> <li>▶ Go to <a href="http://www.home-connect.com">www.home-connect.com</a>.</li> </ul>
"E" or "d" appears on the temperature display.	The electronics have detected a fault. <ol style="list-style-type: none"> <li>1. Switch off the appliance. → Page 12</li> <li>2. Disconnect the appliance from the power supply. Unplug the power plug or switch off the circuit breaker in the fuse box.</li> <li>3. Reconnect the appliance after 5 minutes.</li> <li>4. If the message still appears on the display, call Customer Service. → "Customer Service", Page 22</li> </ol>
A warning signal sounds and 🔔 flashes. The door alarm is switched on.	The appliance door is open. <ul style="list-style-type: none"> <li>▶ Close the appliance door.</li> </ul>
A warning tone sounds and the temperature display (freezer compartment) and 🔔 flash. The temperature alarm is switched on.	Various causes are possible. <ol style="list-style-type: none"> <li>1. Press 🔔. ✓ The alarm is switched off.</li> <li>2. After several hours, check whether the set freezer compartment temperature has been reached again.</li> </ol> External ventilation openings are covered up.

Issue	Cause and troubleshooting
<p>A warning tone sounds and the temperature display (freezer compartment) and 🔔 flash. The temperature alarm is switched on.</p>	<ul style="list-style-type: none"> <li>▶ Remove any obstructions from in front of the external ventilation openings.</li> </ul> <hr/> <p>Large quantities of fresh food have been placed inside.</p> <ul style="list-style-type: none"> <li>▶ Switch on Fast freezing before placing a larger amount of food in the appliance. → <i>"Switching on manual Fast freezing", Page 13</i></li> </ul>
<p>The temperature differs greatly from the setting.</p>	<p>Various causes are possible.</p> <ol style="list-style-type: none"> <li>1. Switch off the appliance. → <i>Page 12</i></li> <li>2. Switch the appliance back on after approximately 5 minutes. → <i>Page 12</i> <ul style="list-style-type: none"> <li>– If the temperature is too warm, check the temperature again after a couple of hours.</li> <li>– If the temperature is too cold, check the temperature again on the following day.</li> </ul> </li> </ol>
<p>Water is leaking out of the appliance.</p>	<p>The water connection or water hose is not leak-tight.</p> <ul style="list-style-type: none"> <li>▶ Check if the water connections are fastened firmly and the water hose is undamaged.</li> </ul> <p>If necessary, replace the water hose.</p>
<p>Ice cube production is low.</p>	<p>The appliance has only recently been connected.</p> <ul style="list-style-type: none"> <li>▶ Wait approximately 4 hours until the first batch of ice cubes is ready.</li> </ul> <hr/> <p>The freezer compartment has been opened frequently or for an extended period of time.</p> <ul style="list-style-type: none"> <li>▶ Check ice cube production after a few hours.</li> </ul> <hr/> <p>Low water pressure.</p> <ul style="list-style-type: none"> <li>▶ Check the pressure of the water supply system or the external water filter system, e.g. reverse osmosis system.</li> </ul> <p>Connect the appliance only to a water connection with sufficient water pressure. → <i>Page 7</i></p> <hr/> <p>The water filter is blocked.</p> <ul style="list-style-type: none"> <li>▶ Change the water filter.</li> </ul> <hr/> <p>Food or objects are blocking the fill level sensor for the ice maker.</p> <ul style="list-style-type: none"> <li>▶ Remove all food and objects from the ice storage container.</li> </ul> <hr/> <p>Fault in the ice maker.</p> <ol style="list-style-type: none"> <li>1. Switch off the appliance. → <i>Page 12</i></li> <li>2. Disconnect the appliance from the power supply. Unplug the power plug or switch off the circuit breaker in the fuse box.</li> <li>3. Reconnect the appliance after 5 minutes.</li> <li>4. If the fault persists, call customer service. → <i>Page 22</i></li> </ol>
<p>The ice maker is not functioning.</p>	<p>Ice cube production is switched off.</p> <ul style="list-style-type: none"> <li>▶ Switch on ice cube production. → <i>Page 18</i></li> </ul> <hr/> <p>There is no water being supplied to the appliance.</p> <ul style="list-style-type: none"> <li>▶ Ensure that there is a water supply and that the shut-off valve on the water connection is open.</li> </ul> <p>Contact an installer if necessary.</p> <hr/> <p>Kink in the water hose.</p> <ul style="list-style-type: none"> <li>▶ Turn off the water supply and straighten the kink in water hose.</li> </ul> <p>If necessary, replace the water hose.</p> <hr/> <p>Fault in the ice maker.</p> <ol style="list-style-type: none"> <li>1. Switch off the appliance. → <i>Page 12</i></li> <li>2. Disconnect the appliance from the power supply. Unplug the power plug or switch off the circuit breaker in the fuse box.</li> </ol>

Issue	Cause and troubleshooting
The ice maker is not functioning.	<ol style="list-style-type: none"> <li>Reconnect the appliance after 5 minutes.</li> <li>If the fault persists, call customer service. → <i>Page 22</i></li> </ol>
The appliance hums, bubbles, buzzes, gargles, clicks, crackles or rumbles.	<p>Not a fault. A motor is running, e.g. refrigerating unit, fan. Refrigerant is flowing through the pipes. The motor, switches, solenoid valves or water valves are switching on or off. Automatic defrosting is running. Ice cubes fall into the ice storage container.</p> <p>No action required.</p>
The appliance makes noises.	<p>The appliance is not level.</p> <ul style="list-style-type: none"> <li>Align the appliance using a bubble level and the screw feet.</li> </ul> <hr/> <p>Fittings wobble or stick.</p> <ul style="list-style-type: none"> <li>Check the removable fittings and, if required, replace these.</li> </ul> <hr/> <p>Containers are touching.</p> <ul style="list-style-type: none"> <li>Move the containers apart.</li> </ul> <hr/> <p>Fast freezing is switched on.</p> <p>No action required.</p>

## 15.1 Power failure

During a power failure, the temperature in the appliance rises; this reduces the storage time and the quality of the frozen food.

### Notes

- Open the appliance as little as possible during a power failure and do not place any other food in the appliance.
- Check the quality of the food immediately after a power failure.
  - Dispose of any frozen food that has defrosted and is warmer than 41 °F (5 °C).
  - Cook or fry slightly thawed frozen food, and then either consume it or freeze it again.

## 16 Storage and disposal

### 16.1 Taking the appliance out of operation

- Switch off the appliance. → *Page 12*
- Disconnect the appliance from the power supply.
 

Unplug the appliance from the power source or switch off the circuit breaker in the fuse box.
- Disconnect the appliance from the drinking water connection.
- Remove all of the food.
- Remove the water filter.
- Clean the appliance. → *Page 18*
- To ensure the ventilation inside the appliance, leave the appliance open.

### 16.2 Disposal of your old appliance

Environmentally compatible disposal allows valuable raw materials to be recycled.

#### WARNING

- Children can lock themselves in the appliance, thereby putting their lives at risk.
- Remove the appliance doors.
  - To prevent children from climbing in, leave shelves and containers in the appliance.
  - Keep children away from the discarded appliance.

#### WARNING

- If the tubes are damaged, flammable refrigerant and harmful gases may escape and ignite.
- Do not damage the tubes of the refrigerant circuit or the insulation.

- Unplug the appliance from the power supply.
- Cut through the power cord.
- Remove the appliance doors.
- Dispose of the appliance in an environmentally responsible manner.
 

Information about current disposal methods can be obtained from your specialist dealer or local authority.

## 17 Customer Service

With any warranty repair, we will make sure your appliance is repaired by an authorized service provider using genuine replacement parts. We use only genuine replacement parts for all repairs.

You can obtain function-relevant and storable genuine spare parts from our Customer Service for up to 15 years from the date on which your appliance was placed on the market.

For more information, please contact our Customer Service team.  
Detailed information on the warranty period and terms of warranty can be found in the Statement of Limited Product Warranty, from your retailer, or on our website.

USA:

1-877-442-4436

[www.gaggenau.com](http://www.gaggenau.com)

[www.gaggenau.com/us/appliances/eshop](http://www.gaggenau.com/us/appliances/eshop)

CA:

1-877-442-4436

[www.gaggenau.com](http://www.gaggenau.com)

[www.gaggenau.ca](http://www.gaggenau.ca)

For assistance with connecting to Home Connect®, you can also view instructions here:

[www.home-connect.com/us/en/help-support/set-up](http://www.home-connect.com/us/en/help-support/set-up)

### 17.1 Model number (E-Nr.), production number (FD) and consecutive numbering (Z-Nr.)

If you contact Customer Service, you will need the product number (E-Nr.), production number (FD), and consecutive numbering (Z-Nr.), which you can find on the appliance's rating label.

→ "Appliance", Fig. **1/7**, Page 10

Making a note of your appliance's details and the Customer Service telephone number will enable you to find them again quickly.

---

## 18 Technical specifications

Refrigerant, cubic capacity and further technical specifications can be found on the rating plate.

→ "Appliance", Fig. **1/7**, Page 10

### 18.1 Information regarding Free and Open Source Software

This product includes software components that are licensed by the copyright holders as free or open source software.

The applicable license information is stored on your home appliance. You can also access the applicable license information via your Home Connect® app: "Profile -> Legal information -> License Information".<sup>1</sup> You can also download the license information on the brand product website. (Please search on the product website for your appliance model and additional documents). Alternatively, you can request the relevant information from [ossrequest@bshg.com](mailto:ossrequest@bshg.com) or BSH Hausgeräte GmbH, Carl-Wery-Str. 34, 81739 Munich, Germany.

The relevant source code will be made available to you on request.

Please send your request to [ossrequest@bshg.com](mailto:ossrequest@bshg.com) or BSH Hausgeräte GmbH, Carl-Wery-Str.34, 81739 Munich, Germany.

---

<sup>1</sup> Depending on the appliance specifications

Subject: „OSSREQUEST“

The cost of performing your request will be charged to you. This offer is valid for three years from the date of purchase or at least as long as we offer support and spare parts for the relevant appliance.

**Pour plus d'informations, veuillez vous reporter au Guide de l'utilisateur numérique.**



## Table des matières

<b>1 Sécurité</b> .....	<b>26</b>	8.3 Aide à l'ouverture de porte .....	36
1.1 Définitions des termes de sécurité .....	26	8.4 Éclairage intérieur .....	36
1.2 Indications générales .....	26	8.5 Mode Sabbat.....	36
1.3 Conformité d'utilisation.....	26	8.6 Notification du changement de filtre .....	36
1.4 Restrictions au cercle d'utilisateurs .....	26	8.7 Réglages usine .....	36
1.5 Transport sûr.....	26	<b>9 Alarme</b> .....	<b>37</b>
1.6 Installation sûre.....	26	9.1 Alarme de porte.....	37
1.7 Utilisation sûre .....	27	9.2 Alarme de température.....	37
1.8 Appareil endommagé.....	28	<b>10 Home Connect®</b> .....	<b>37</b>
1.9 Mises en garde conformément à la proposition 65 de l'État de Californie .....	28	10.1 Configurer Home Connect® .....	37
<b>2 Prévenir les bris matériels</b> .....	<b>29</b>	10.2 Activer la connexion au réseau domestique WLAN (Wi-Fi) .....	37
<b>3 Protection de l'environnement et économies</b> .....	<b>29</b>	10.3 Désactiver la connexion au réseau domestique WLAN (Wi-Fi) .....	38
3.1 Mise au rebut de l'emballage .....	29	10.4 Installer la mise à jour du logiciel Home Connect®.....	38
3.2 Économiser de l'énergie.....	29	10.5 Réinitialiser les réglages Home Connect® .....	38
<b>4 Installation et branchement</b> .....	<b>30</b>	10.6 Diagnostic à Distance.....	38
4.1 Contenu de livraison .....	30	10.7 Protection des données.....	38
4.2 Critères pour le lieu d'installation.....	30	<b>11 Compartiment congélation</b> .....	<b>38</b>
4.3 Monter l'appareil.....	30	11.1 Conseils pour ranger des aliments dans le compartiment congélation .....	38
4.4 Préparer l'appareil pour la première utilisation .....	30	11.2 Conseils pour congeler des aliments frais .....	38
4.5 Brancher l'appareil au raccordement d'eau potable .....	30	11.3 Méthodes de décongélation pour aliments congelés.....	39
4.6 Raccordement électrique de l'appareil .....	30	<b>12 Système hydraulique</b> .....	<b>39</b>
<b>5 Description de l'appareil</b> .....	<b>31</b>	12.1 Filtre à eau .....	39
5.1 Appareil.....	31	12.2 Notification du changement de filtre .....	40
5.2 Bandeau de commande .....	32	12.3 Distributeur de glaçons.....	40
5.3 Bandeau de commande (sous-menu) .....	33	<b>13 Dégivrer</b> .....	<b>41</b>
<b>6 Équipement</b> .....	<b>33</b>	13.1 Dégivrer le compartiment congélation .....	41
6.1 Clayette.....	33	<b>14 Nettoyage et entretien</b> .....	<b>41</b>
6.2 Bac tiroir à aliments congelés .....	34	14.1 Consignes d'entretien pour les surfaces en inox....	41
6.3 Compartiment de contre-porte .....	34	14.2 Préparer l'appareil pour le nettoyage .....	41
6.4 Réserve à glaçons .....	34	14.3 Nettoyer l'appareil .....	41
6.5 Accessoires .....	34	14.4 Retirer les pièces d'équipement .....	41
<b>7 Opération de base</b> .....	<b>34</b>	<b>15 Dépannage</b> .....	<b>43</b>
7.1 Mettre l'appareil sous tension.....	34	15.1 Panne de courant.....	45
7.2 Remarques concernant le fonctionnement de l'appareil .....	35	<b>16 Entreposage et mise au rebut</b> .....	<b>45</b>
7.3 Éteindre l'appareil .....	35	16.1 Mettre l'appareil hors service.....	45
7.4 Régler l'unité de température .....	35	16.2 Éliminer un appareil usagé .....	45
7.5 Régler la température .....	35		
7.6 Verrouillage des touches.....	35		
<b>8 Fonctions additionnelles</b> .....	<b>35</b>		
8.1 Congélation rapide automatique .....	35		
8.2 Fonction Congélation rapide manuelle .....	35		

<b>17 Service à la clientèle</b> .....	<b>46</b>
17.1 Numéro de modèle (E-Nr.), numéro de fabrication (FD) et numéro de comptage (Z-Nr.)....	46
<b>18 Données techniques</b> .....	<b>46</b>
18.1 Informations sur le logiciel libre .....	46



# IMPORTANTES CONSIGNES DE SÉCURITÉ

## LIRE ET CONSERVER CES INSTRUCTIONS

Respectez les consignes de sécurité suivantes.

### 1.1 Définitions des termes de sécurité

Vous trouverez ici des explications sur les mots de signalisation de sécurité utilisés dans ce manuel.

#### **AVERTISSEMENT**

Signale un risque de mort ou de blessure grave si l'avertissement n'est pas respecté.

#### **MISE EN GARDE**

Signale un risque de blessures mineures ou modérées si l'avertissement n'est pas respecté.

#### **AVIS :**

Ceci indique que la non-conformité à cet avis de sécurité peut entraîner des dégâts matériels ou endommager l'appareil.

**Remarque :** Ceci vous signale des informations importantes.

### 1.2 Indications générales

- Lisez attentivement cette notice.
- Veuillez conserver la notice et les renseignements sur le produit en vue d'une réutilisation ultérieure ou pour un futur nouveau propriétaire.
- Ne branchez pas l'appareil si ce dernier a été endommagé durant le transport.

### 1.3 Conformité d'utilisation

Utilisez l'appareil uniquement :

- pour congeler des aliments et pour la préparation de glaçons.
- dans un domicile privé et dans une pièce fermée de l'environnement domestique.
- jusqu'à une altitude maximale de 3000 m (9842,5 pieds).

### 1.4 Restrictions au cercle d'utilisateurs

Cet appareil n'est pas destiné à être utilisé par des personnes (y compris des enfants) présentant des capacités physiques, sensorielles ou mentales réduites, à moins qu'elles n'aient été informées de la manière d'utiliser l'appareil par une personne responsable de leur sécurité.

Ne permettez jamais aux enfants de jouer avec l'appareil.

Le nettoyage de l'appareil et l'entretien par l'utilisateur sont des activités que les enfants ne peuvent pas effectuer sans surveillance.

### 1.5 Transport sûr

#### **AVERTISSEMENT**

L'appareil est très lourd, son poids est inégalement réparti et il peut basculer.

- ▶ L'appareil doit être transporté par deux ou plusieurs personnes.
- ▶ Retirer l'appareil de la palette seulement lorsqu'il est prêt à être installé.
- ▶ Maintenir la porte fermée jusqu'à ce que l'appareil soit fixé dans la niche d'encastrement.

#### **AVERTISSEMENT**

Il peut être risqué de soulever l'appareil en raison de son poids élevé.

- ▶ Soulevez l'appareil à deux personnes.

### 1.6 Installation sûre

#### **AVERTISSEMENT**

Pour éviter tout risque de blessure lié à une installation incorrecte, il convient de respecter les points suivants.

- ▶ Assurez-vous que toutes les instructions d'installation ont été suivies avant l'utilisation.
- ▶ Observer impérativement les indications figurant sur la plaque signalétique lors du raccordement et de l'utilisation de l'appareil.
- ▶ Brancher l'appareil uniquement à l'aide d'une fiche dûment installée avec mise à la terre dans une prise secteur à courant alternatif.
- ▶ Le système à conducteur de protection de l'installation électrique de la maison doit être installé correctement.
- ▶ Ne jamais alimenter l'appareil par l'intermédiaire d'un appareil de commutation externe, par ex. une minuterie ou une télécommande.
- ▶ Si l'appareil est encastré, la fiche du cordon d'alimentation secteur doit être librement accessible ou, si un accès libre est impossible, un dispositif de sectionnement doit être installé dans l'installation électrique fixe, conformément aux réglementations d'installation.
- ▶ Veillez à ne pas coincer ou endommager le câble d'alimentation en posant l'appareil.



# IMPORTANTES CONSIGNES DE SÉCURITÉ

## LIRE ET CONSERVER CES INSTRUCTIONS

Pour éviter tout risque de blessure dû à une isolation endommagée du cordon d'alimentation, observez ce qui suit.

- ▶ Ne mettez jamais en contact le cordon d'alimentation avec des sources de chaleur.

### AVERTISSEMENT

Si les orifices de ventilation de l'appareil sont obstrués, un mélange gaz-air inflammable peut se produire si le circuit de réfrigération fuit.

- ▶ N'obstruez pas les orifices de ventilation dans le boîtier de l'appareil ou dans le boîtier d'installation.

### AVERTISSEMENT

Pour éviter tout risque de blessure dû à un cordon d'alimentation trop long et à des adaptateurs non approuvés, observez ce qui suit.

- ▶ Ne pas utiliser de rallonge ni de bloc multiprise.
- ▶ Utiliser uniquement les adaptateurs et cordons d'alimentation secteur autorisés par le fabricant.
- ▶ Si le câble de raccordement est trop court et qu'aucun cordon d'alimentation secteur plus long n'est disponible, confiez les modifications nécessaires à un électricien qualifié qui respectera les normes électriques nationales et locales en vigueur.

Les blocs multiprises ou blocs secteur mobiles peuvent surchauffer et provoquer un incendie.

- ▶ Ne placez pas les blocs multiprises ou blocs secteur mobiles à l'arrière des appareils.

### AVERTISSEMENT

L'appareil est très lourd, son poids est inégalement réparti et il peut basculer.

- ▶ L'appareil doit être installé par deux personnes ou plus dès qu'il n'est plus sécurisé et qu'il est retiré de la palette.
- ▶ Sécuriser l'appareil à l'aide des arceaux anti-basculement fournis.
- ▶ Surveillez l'appareil pendant son installation.

### MISE EN GARDE

Vous risquez de vous couper en touchant les arêtes vives de l'appareil.

- ▶ Portez des gants de protection.

## 1.7 Utilisation sûre

### AVERTISSEMENT

L'humidité qui pénètre peut occasionner une électrocution.

- ▶ Utiliser l'appareil uniquement dans des pièces fermées.
- ▶ Ne jamais exposer l'appareil à une forte chaleur ou humidité.
- ▶ N'utilisez pas de nettoyeur haute pression ou de nettoyeur à vapeur pour nettoyer l'appareil.

### AVERTISSEMENT

Pour éviter tout risque d'étouffement chez les enfants, respectez les consignes suivantes.

- ▶ Gardez le matériel d'emballage à l'écart des enfants.
- ▶ Ne permettez jamais aux enfants de jouer avec le matériel d'emballage.

Les enfants risquent d'inhalier ou d'avaler des petits morceaux et s'étouffer.

- ▶ Gardez les petits morceaux à l'écart des enfants.
- ▶ Ne permettez jamais aux enfants de jouer avec les petits morceaux.

### AVERTISSEMENT

Les dommages au niveau du circuit de refroidissement peuvent provoquer un incendie ou une explosion.

- ▶ Pour accélérer le dégivrage, n'utilisez pas d'autres dispositifs mécaniques ou d'autres produits que ceux recommandés par le fabricant.
- ▶ Détachez les aliments congelés à l'aide d'un objet émoussé, par exemple le manche d'une cuillère en bois.

Des produits contenant des gaz propulseurs inflammables et des matières explosives peuvent exploser, par ex. bombes aérosols.

- ▶ Ne stockez pas de produits contenant des gaz propulseurs inflammables et des matières explosives dans l'appareil.

### AVERTISSEMENT

Les appareils électriques à l'intérieur de l'appareil peuvent provoquer un incendie, par ex. appareils de chauffage ou fabriques de glace électriques.

- ▶ N'utilisez aucun appareil électrique à l'intérieur de l'appareil.



# IMPORTANTES CONSIGNES DE SÉCURITÉ

## LIRE ET CONSERVER CES INSTRUCTIONS

### AVERTISSEMENT

Les récipients contenant des boissons gazeuses risquent d'éclater.

- ▶ Ne stockez jamais de boissons gazeuses dans le compartiment congélation.

Lésions oculaires dues à la fuite de fluide frigorigène inflammable et de gaz nocifs.

- ▶ Veillez à ne pas endommager les tubulures du circuit frigorifique, ni l'isolant.

### AVERTISSEMENT

Un contact avec les produits congelés et les surfaces froides peut entraîner des brûlures par le froid.

- ▶ Ne portez jamais des produits surgelés à la bouche immédiatement après les avoir sortis du compartiment congélation.
- ▶ Évitez tout contact prolongé de la peau avec les produits congelés, la glace et les surfaces métalliques présents dans le compartiment congélation.

### MISE EN GARDE

Pour éviter toute contamination des produits alimentaires, respectez les instructions suivantes.

- ▶ L'ouverture prolongée de la porte peut entraîner une importante augmentation de la température dans les compartiments de l'appareil.
- ▶ Nettoyez régulièrement les surfaces qui peuvent entrer en contact avec des produits alimentaires et systèmes d'écoulement accessibles.
- ▶ Si le réfrigérateur/congélateur reste vide pendant une longue période, éteignez l'appareil, dégivrez-le, nettoyez-le et laissez la porte ouverte, afin d'éviter la formation de moisissures.

## 1.8 Appareil endommagé

### AVERTISSEMENT

Pour éviter tout risque de blessure dû à un appareil ou à un cordon d'alimentation endommagé, observez ce qui suit.

- ▶ Ne jamais utiliser un appareil endommagé.
- ▶ Ne jamais tirer sur le cordon d'alimentation secteur pour débrancher l'appareil du secteur. Toujours débrancher la fiche mâle du cordon d'alimentation secteur.
- ▶ Si l'appareil ou le cordon d'alimentation secteur est endommagé, débrancher immédiatement la fiche mâle du cordon d'alimentation secteur ou couper le fusible dans le boîtier à fusibles et fermer le robinet d'eau.

- ▶ Appeler le service à la clientèle. → *Page 46*

Pour éviter tout risque de blessure dû à des réparations incorrectes, respectez les points suivants.

- ▶ Seuls des techniciens qualifiés ou des prestataires de services agréés peuvent effectuer des réparations.
- ▶ Seules des pièces de rechange d'origine peuvent être utilisées pour réparer l'appareil.
- ▶ Afin d'écartier tout danger, quand le cordon d'alimentation de cet appareil est endommagé, seul le fabricant, son service à la clientèle ou toute autre personne de qualification équivalente est habilitée à le faire.

### AVERTISSEMENT

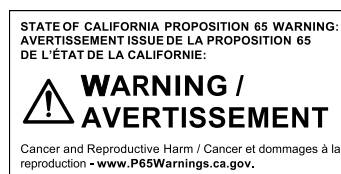


En cas d'endommagement des tuyaux, du fluide frigorigène inflammable et des gaz nocifs peuvent s'échapper et s'enflammer.

- ▶ Éloignez l'appareil de toute flamme nue ou source d'inflammation.
- ▶ Aérez la pièce.
- ▶ Éteindre l'appareil. → *Page 35*
- ▶ Retirez la fiche du cordon d'alimentation secteur ou désactivez le fusible dans la boîte à fusibles.
- ▶ Appeler le service après-vente. → *Page 46*

## 1.9 Mises en garde conformément à la proposition 65 de l'État de Californie

Ce produit pourrait contenir un produit chimique reconnu par l'État de la Californie comme cancérigène ou ayant des effets nocifs sur la reproduction. Par conséquent, vous pourriez devoir apposer l'étiquette suivante sur l'emballage du produit comme requis par la Californie :



## 2 Prévenir les bris matériels

### AVIS :

Le poids élevé de l'appareil ou le basculement des roulettes de l'appareil risquent d'endommager le sol lors de son déplacement.

- ▶ Transportez l'appareil avec un diable.
- ▶ Lorsque vous déplacez l'appareil, protégez le sol et ne faites pas de zigzags.

L'utilisation du socle, des glissières ou des portes de l'appareil comme surface d'assise ou comme marchepied peut endommager l'appareil.

- ▶ Ne vous servez jamais du socle, des glissières ou des portes comme marchepieds et ne vous appuyez jamais dessus.

Observez les consignes suivantes pour éviter d'endommager l'appareil ou votre propriété.

- ▶ Ne raccordez pas l'appareil à la conduite d'eau si des travaux de construction sont en cours ou si l'eau semble trouble ou contient des particules visibles. Négliger ces instructions pourrait entraîner la présence de corps étrangers dans l'appareil, ce qui pourrait en affecter la performance ou causer des fuites d'eau.

Une pression de l'eau trop faible ou trop élevée peut gêner le fonctionnement de l'appareil.

- ▶ Assurez-vous que la pression d'eau au niveau de l'alimentation en eau est comprise entre 29 psi (200 kPa) minimum et 116 psi (800 kPa) maximum.
- ▶ Si la pression hydraulique excède la valeur maximale indiquée, un réducteur de pression entre le raccord d'eau potable et la trousse de tuyaux de l'appareil doit être installé.

Les tuyaux d'eau modifiés ou endommagés peuvent provoquer des dégâts matériels ou endommager l'appareil.

- ▶ Veillez à ne jamais plier, écraser, modifier ou couper les tuyaux d'eau.
- ▶ Ne réutilisez jamais des tuyaux d'eau usagés.
- ▶ Ne tirez jamais sur le tuyau d'eau ou sur la paroi arrière de l'appareil.

En cas de salissures provenant d'huile ou de graisse, des pièces en matière plastique et les joints de porte peuvent devenir poreux.

- ▶ Veillez à ce que les pièces en matière plastique et les joints de porte soient exempts d'huile et de graisse.

Si vous nettoyez les pièces d'équipement et les accessoires au lave-vaisselle, ceux-ci risquent de se déformer ou de déteindre.

- ▶ Ne nettoyez jamais les équipements et accessoires au lave-vaisselle.

## 3 Protection de l'environnement et économies

### 3.1 Mise au rebut de l'emballage

Les matériaux d'emballage sont écologiques et recyclables.

- ▶ Veuillez éliminer les pièces détachées après les avoir triées par matières.

### 3.2 Économiser de l'énergie

Si vous respectez les instructions suivantes, votre appareil consommera moins de courant.

#### Choisir le lieu d'installation

- Protégez l'appareil de la lumière directe du soleil.
- Installez l'appareil aussi loin que possible des radiateurs, des cuisinières et des autres sources de chaleur :
  - Respectez une distance de 1<sup>1</sup>/<sub>4</sub>" (30 mm) par rapport aux cuisinières électriques ou à gaz.
  - Respectez une distance de 11<sup>13</sup>/<sub>16</sub>" (300 mm) par rapport à un appareil de chauffage au fuel ou au charbon.
- Ne recouvrez et ne bouchez jamais les orifices de ventilation extérieurs.

#### Économiser de l'énergie lors de l'utilisation

**Remarque :** La disposition des pièces d'équipement n'a aucune influence sur la consommation d'énergie de l'appareil.

- N'ouvrez que brièvement l'appareil et fermez-le avec précaution.
- Ne recouvrez et n'obstruez jamais les grilles de ventilation intérieures ni les orifices de ventilation extérieurs.
- Transportez les produits alimentaires achetés dans un sac isotherme et rangez-les rapidement dans l'appareil.
- Attendez que les aliments et les boissons chaudes refroidissent avant de les ranger.
- Laissez toujours un peu de place entre les produits alimentaires et la paroi arrière.

#### Mode économie d'énergie du bandeau de commande

Lorsque l'appareil n'est pas utilisé, le bandeau de commande passe automatiquement au mode économie d'énergie du bandeau de commande.

En mode économie d'énergie du bandeau de commande, l'option de sélection du distributeur de glace et d'eau fraîche est visible en luminosité réduite.

**Remarque :** Lorsque Congélation rapide est activé, \* s'allume.

Dès que vous utilisez le bandeau de commande, appuyez sur le bouton de prélèvement ou ouvrez la porte, le mode économie d'énergie du bandeau de commande se désactive.

---

## 4 Installation et branchement

### 4.1 Contenu de livraison

Après avoir déballé le produit, inspectez toutes les pièces pour détecter d'éventuels dégâts dus au transport et vous assurer de l'intégralité de la livraison.

En cas de réclamation, veuillez vous adresser à votre revendeur ou auprès de notre service à la clientèle

→ Page 46.

La livraison comprend :

- Des équipements et accessoires<sup>1</sup>
- Matériel de montage
- Notice de montage
- Le mode d'emploi
- Déclaration de garantie limitée du produit
- Le document annexe de la garantie<sup>2</sup>
- Le label énergétique
- Des informations relatives à la consommation d'énergie et aux bruits
- Des informations sur Home Connect®

### 4.2 Critères pour le lieu d'installation

#### AVERTISSEMENT

Si l'appareil est installé dans une pièce trop petite, une éventuelle fuite du circuit de réfrigération pourrait donner lieu à un mélange de gaz et d'air inflammable.

- ▶ Placez l'appareil uniquement dans une pièce dont le volume minimum est de 35 ft<sup>3</sup> (1 m<sup>3</sup>) par 8 g de fluide frigorigène. La quantité de fluide frigorigène est indiquée sur la plaque signalétique. → "Appareil", Fig.

 7, Page 32

Selon le modèle, le poids de l'appareil départ usine peut atteindre 410 lbs (185 kg).

Le plancher doit être assez stable pour supporter le poids de l'appareil.

### 4.3 Monter l'appareil

- ▶ Montez l'appareil selon les instructions de montage jointes.

### 4.4 Préparer l'appareil pour la première utilisation

1. Retirez le matériel d'informations.
2. Retirer les films protecteurs et les sécurités de transport, par ex. les bandes adhésives et le carton.

---

<sup>1</sup> selon l'équipement de l'appareil

<sup>2</sup> Pas dans tous les pays

3. Nettoyez l'appareil pour la première fois. → Page 41

### 4.5 Brancher l'appareil au raccordement d'eau potable

#### Exigence

- Une vanne d'arrêt est installée au niveau du raccordement d'eau et est librement accessible après l'installation de l'appareil.
  - Le raccordement d'eau est testé et la qualité de l'eau est potable.
  - Le tuyau d'évacuation d'eau est pourvu d'une bague d'étanchéité.
1. Prélevez de l'eau potable à partir du raccordement à l'eau potable de l'installation domestique jusqu'à ce qu'il n'y ait plus de dépôts ou de turbidité.

En cas de dépôts permanents ou de turbidité dans l'eau potable, installez un système de filtre à eau externe.

2. Installez le tuyau d'évacuation d'eau sur l'appareil selon les instructions de montage.

### 4.6 Raccordement électrique de l'appareil

1. Branchez la fiche secteur du cordon d'alimentation de l'appareil dans une prise murale avec mise à la terre à proximité de l'appareil.

Les données de raccordement de l'appareil sont indiquées sur la plaque signalétique. → "Appareil", Fig.

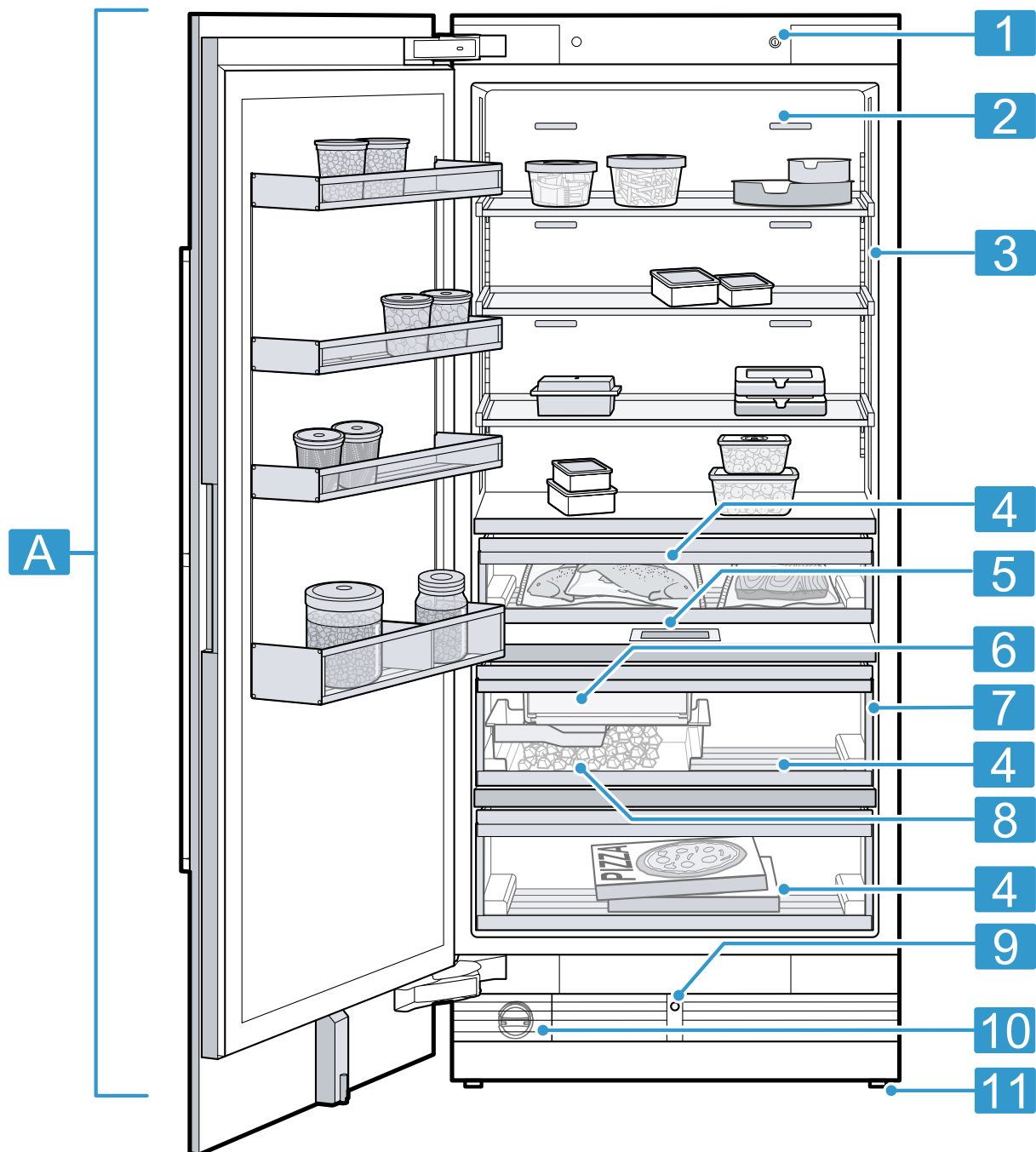
 7, Page 32

2. S'assurer que la fiche est correctement insérée.
- ✓ La bandeau de commande affiche une animation et est verrouillé.
  - ✓ L'appareil est prêt à être utilisé lorsque l'animation est terminée et que les affichages de température s'allument.

## 5 Description de l'appareil

### 5.1 Appareil

Cette section contient une vue d'ensemble des composants de votre appareil.



**1** Selon l'équipement et la taille, des divergences sont possibles entre votre appareil et les illustrations.

**A** Compartiment congélation → *Page 38*

**1** Interrupteur principal

**2** Orifices de ventilation internes (compartiment congélation)

**3** Éclairage

**4** Bac tiroir à aliments congelés → *Page 34*

**5** Panneau de configuration → *Page 32*

**6** Distributeur de glaçons → Page 40

**7** Plaque signalétique → Page 46

**8** Réserve à glaçons → Page 34

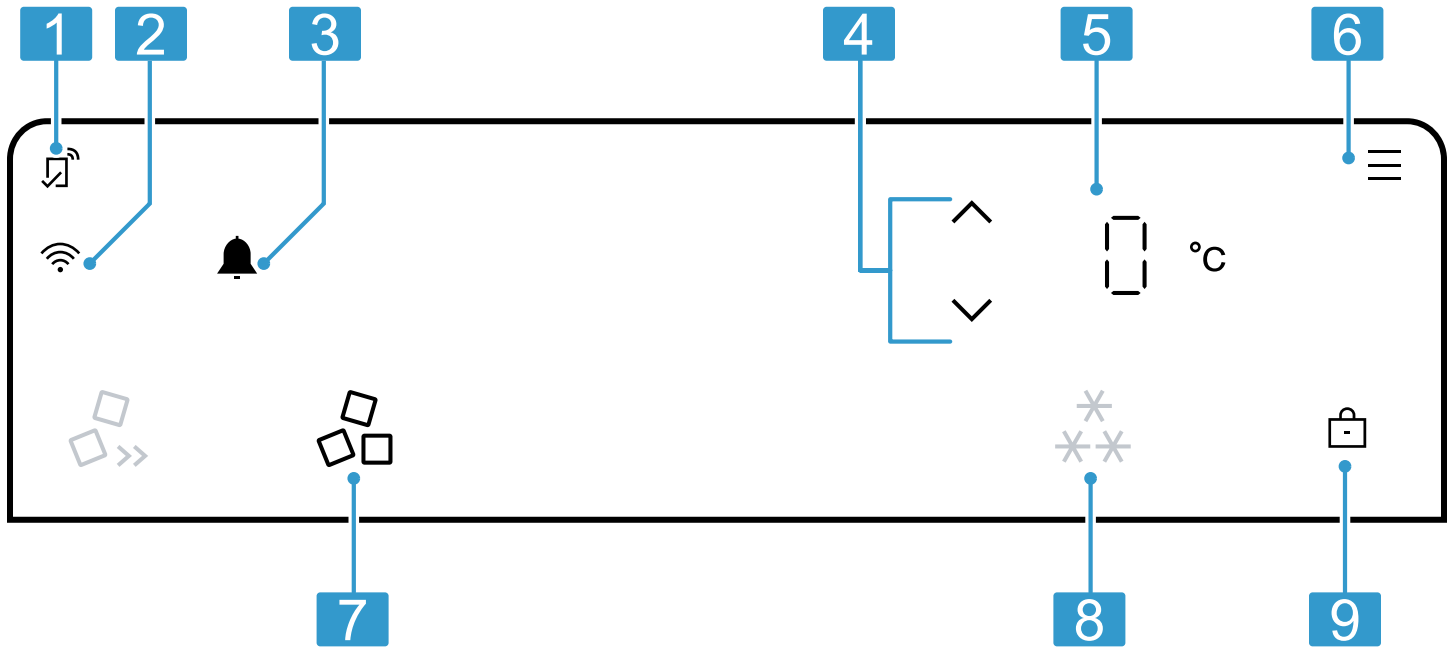
**9** Aide à l'ouverture de porte → Page 36

**10** Filtre à eau → Page 39


**11** Pied à vis


## 5.2 Bandeau de commande


Le bandeau de commande vous permet de configurer toutes les fonctions de votre appareil et d'obtenir des informations sur son état de fonctionnement.




**2**


**1**  s'allume lorsque des réglages définis par l'utilisateur sont réglés via l'appli Home Connect®. Vous trouverez de plus amples informations dans l'appli Home Connect®.

**2**  active ou désactive la connexion au réseau domestique WLAN (Wi-Fi).


**3**  désactive l'alarme sonore.


**4**  (congélateur) règle la température du compartiment congélation.

**5** Affiche la température réglée du compartiment congélation en °C.

**6**  ouvre et ferme le menu.

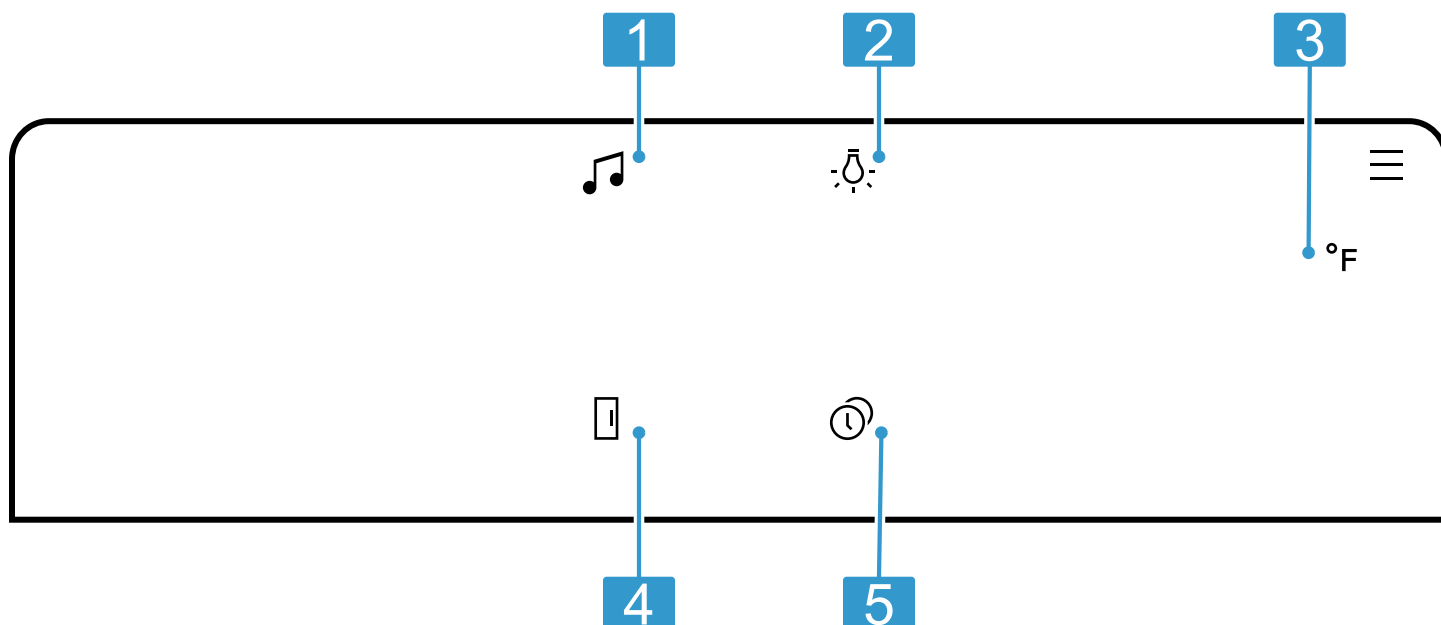
**7**  désactive ou active la production de glaçons.

**8**  active ou désactive la fonction Congélation rapide.

**9**  active ou désactive le verrouillage des touches du bandeau de commande.

### 5.3 Bandeau de commande (sous-menu)

Le sous-menu vous permet d'effectuer d'autres réglages.



3

- 1 🎵 ouvre le menu de réglage des tonalités.
- 2 💡 ouvre le menu de réglage de l'éclairage.
- 3 °C/°F ouvre le menu pour modifier l'unité de température.
- 4 🔒 ouvre le menu de réglage de l'aide à l'ouverture de porte.
- 5 ⌚ ouvre le menu de réglage du mode Sabbat.

## 6 Équipement

L'équipement de votre appareil dépend de son modèle.

### 6.1 Clayette

#### AVIS :

Les crochets de la clayette peuvent rayer la paroi arrière du compartiment réfrigération lorsqu'elle est accrochée en biais.

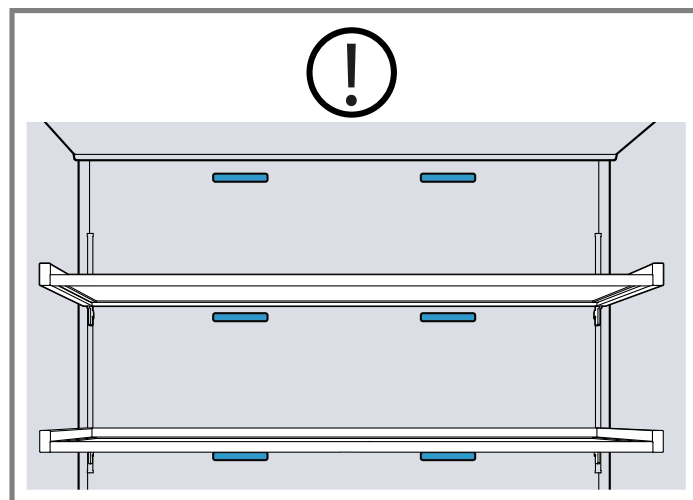
- ▶ Assurez-vous que la clayette est à l'horizontale et que les crochets sont bien enclenchés.

Pour varier la position de la clayette selon les besoins, vous pouvez retirer la clayette et la replacer à un autre endroit.

→ "Retirer la clayette", Page 41

#### Remarque

Pour ne pas entraver la circulation de l'air, ne couvrez pas les orifices de ventilation internes.



## 6.2 Bac tiroir à aliments congelés

Pour obtenir une meilleure vue d'ensemble et pour retirer plus rapidement les aliments congelés, tirez le bac tiroir à aliments congelés.

## 6.3 Compartiment de contre-porte

Pour varier la position du compartiment dans la contreporte selon les besoins, vous pouvez le retirer et le replacer à un autre endroit.

→ "Retirer le compartiment de contre-porte", Page 42

## 6.4 Réserve à glaçons

Si la production de glaçons est activée, des glaçons sont automatiquement entreposés dans la réserve à glaçons.

### AVIS :

Le distributeur de glaçons peut être bloqué ou endommagé par des aliments ou des objets stockés dans le bac à glaçons.

- ▶ Ne stockez jamais d'aliments ou d'objets dans le bac à glaçons.

**Remarque :** Pour éviter de trop remplir la réserve à glaçons, ne répartissez pas les glaçons à la main dans celle-ci.

**Conseil :** Lorsque vous retirez des glaçons, ouvrez toujours complètement le bac tiroir pour aliments congelés afin d'éviter que des glaçons ne tombent de l'arrière de la réserve à glaçons.

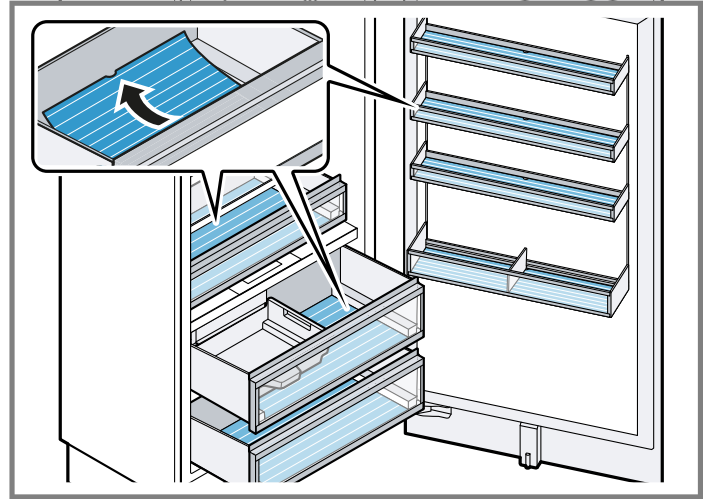
## 6.5 Accessoires

Utilisez uniquement des accessoires d'origine. Ils ont été spécialement conçus pour votre appareil. L'accessoire de votre appareil dépend du modèle.

### Tapis antidérapant

Le tapis antidérapant empêche les bouteilles et les aliments de glisser.

Suivant la quantité et la nature du produit stocké, de la condensation peut se former sur le tapis antidérapant. Si nécessaire, retirez le tapis antidérapant et essuyez l'eau condensée avec un chiffon sec.

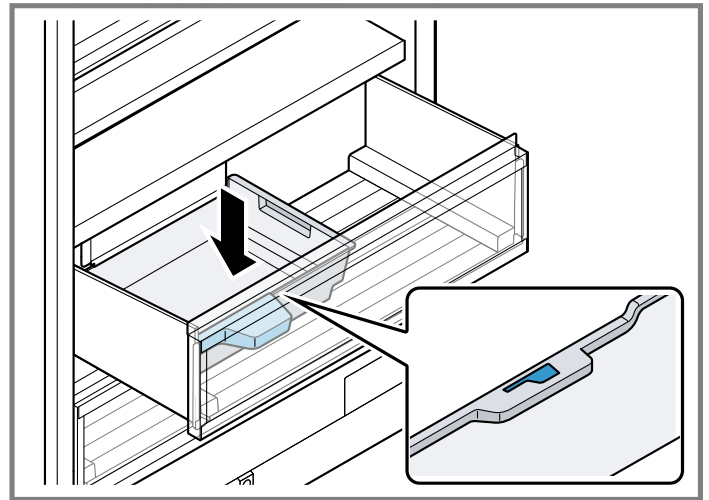


### Pelle à glace

Utilisez la palette à glace pour prélever une portion des glaçons.

### Conseil

Placez la pelle à glaçons à l'avant de la réserve à glaçons.



## 7 Opération de base

### 7.1 Mettre l'appareil sous tension

1. Mettez l'appareil sous tension à l'aide de l'interrupteur principal. → "Appareil", Fig. **1/1**, Page 31
  - ✓ La bandeau de commande affiche une animation et est verrouillé.
  - ✓ L'appareil est prêt à être utilisé lorsque l'animation est terminée et que les affichages de température s'allument.
  - ✓ L'appareil commence à réfrigérer.
2. Éteignez l'alarme sonore avec .
  - ✓  s'éteint dès que la température réglée est atteinte.

3. Réglez la température souhaitée. → Page 35

## 7.2 Remarques concernant le fonctionnement de l'appareil

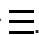

- Lorsque vous avez allumé l'appareil, il peut s'écouler jusqu'à plusieurs heures avant que la température réglée ne soit atteinte.  
Ne rangez aucun aliment avant que la température réglée ne soit atteinte.
- Lorsque vous refermez la porte, veillez à ce qu'elle ne soit pas bloquée par les aliments stockés.
- Lorsque vous refermez la porte, une dépression peut se produire. La porte est alors difficile à rouvrir. Patientez quelques instants jusqu'à ce que la dépression soit compensée.
- La température de l'appareil varie selon les conditions suivantes :
  - Fréquence des ouvertures de l'appareil
  - Charge
  - Température des aliments nouvellement stockés
  - Température ambiante
  - Exposition directe au soleil

## 7.3 Éteindre l'appareil

- ▶ Mettez l'appareil hors tension à l'aide de l'interrupteur principal. → "Appareil", Fig. 1/1, Page 31


## 7.4 Régler l'unité de température

Vous avez le choix entre les unités de température °F et °C.

1. Appuyez sur .
2. Appuyez sur °C/°F.
3. Appuyez sur .

## 7.5 Régler la température

### Régler la température du compartiment congélation

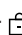

- ▶ Appuyez à plusieurs reprises sur  (congélateur) jusqu'à ce que l'affichage de la température (compartiment congélation) indique le réglage de température souhaité.

La température recommandée dans le compartiment congélation est de 0 °F (-18 °C).


## 7.6 Verrouillage des touches

Le verrouillage des touches empêche toute utilisation involontaire ou incorrecte de l'appareil.

### Activer le verrouillage des touches

- ▶ Appuyez sur  pendant 2 secondes.
- ✓  s'allume.

### Désactiver le verrouillage des touches

- ▶ Appuyez sur  pendant 2 secondes.
- ✓  s'éteint.

## 8 Fonctions additionnelles

Découvrez les fonctions additionnelles dont votre appareil dispose. L'appli Home Connect® vous permet de régler d'autres fonctions supplémentaires.

### 8.1 Congélation rapide automatique

Grâce à la fonction Congélation rapide automatique, le congélateur refroidit beaucoup plus qu'en fonctionnement normal. De ce fait, les aliments congèlent plus rapidement à cœur.


La fonction automatique Congélation rapide s'allume lorsque vous entreposez dans l'appareil un certain nombre d'aliments frais.

La fonction Congélation rapide automatique est activée en usine. Vous pouvez désactiver la Congélation rapide automatique.


Si la Congélation rapide automatique est activée, l'appareil peut émettre davantage de bruits.

L'appareil passe en mode de fonctionnement normal après l'expiration de la fonction Congélation rapide automatique.

#### Activer la fonction Congélation rapide automatique

- ▶ Maintenez enfoncé  pendant 3 secondes jusqu'à l'émission d'un signal sonore.
- ✓ Si 2 signaux sonores retentissent, cela signifie que la fonction Congélation rapide automatique est activée.

#### Désactiver la fonction Congélation rapide automatique

- ▶ Maintenez enfoncé  pendant 3 secondes jusqu'à l'émission d'un signal sonore.
- ✓ Si 3 signaux sonores retentissent, cela signifie que la fonction Congélation rapide automatique est désactivée.

#### Annuler la fonction Congélation rapide automatique

- ▶ Appuyez sur .
- ✓ La température réglée auparavant s'affiche.

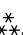

### 8.2 Fonction Congélation rapide manuelle

Avec la fonction Congélation rapide, le compartiment congélation refroidit au maximum.

Activez la fonction Congélation rapide 4 à 6 heures avant de ranger une quantité d'aliments à partir de 2 kg dans le compartiment congélation.

**Remarque :** Lorsque la fonction Congélation rapide est activée, il est possible que l'appareil fonctionne plus bruyamment.

#### Activer la fonction Congélation rapide manuelle

- ▶ Appuyez sur .
- ✓  s'allume.

**Remarque :** Après environ 8 heures, l'appareil passe en mode de fonctionnement normal.

## Désactiver la fonction Congélation rapide manuelle

- ▶ Appuyez sur **\*\***.
- ✓ La température réglée auparavant s'affiche.

## 8.3 Aide à l'ouverture de porte

L'aide à l'ouverture de porte vous aide à ouvrir la porte.

### Ouvrir la porte en utilisant l'aide à l'ouverture de porte

#### AVIS :

La fermeture prématurée et répétée de la porte peut entraîner l'usure ou le dysfonctionnement de l'aide à l'ouverture de porte. Ne fermez jamais la porte lorsque l'aide à l'ouverture de porte est utilisée.

- ▶ Si vous avez quand même fermé la porte, laissez-la fermée 5 minutes. L'aide à l'ouverture de porte se réajuste alors.
1. Appuyez sur la porte au milieu.
  - ✓ L'aide à l'ouverture de porte se déclenche et ouvre la porte d'un cran.
  2. Ouvrez la porte manuellement.  
Si vous n'ouvrez pas davantage la porte dans les 3 secondes, l'aide à l'ouverture de porte se rétracte et la porte se referme.

### Désactiver l'aide à l'ouverture de porte

1. Appuyez sur **≡**.
2. Appuyez sur **□**.
3. Appuyez sur **∨/∧** jusqu'à ce que "OFF" s'allume.
4. Appuyez sur **≡**.

### Activer l'aide à l'ouverture de porte

1. Appuyez sur **≡**.
2. Appuyez sur **□**.
3. Appuyez sur **∨/∧** jusqu'à ce que "ON" s'allume.
4. Appuyez sur **≡**.

## 8.4 Éclairage intérieur

Vous pouvez régler la luminosité de l'éclairage intérieur.

1	Luminosité minimale
6	Luminosité maximale
A	éclairage intérieur automatique
d	éclairage intérieur faible
5	Éclairage intérieur standard
b	éclairage intérieur intense

### Régler l'éclairage intérieur

1. Appuyez sur **≡**.
2. Appuyez sur **⦿**.
3. Appuyez sur **∨/∧** jusqu'à ce que le réglage souhaité apparaisse dans l'affichage des réglages du sous-menu.

4. Appuyez sur **≡**.

## 8.5 Mode Sabbat

En mode Sabbat, toutes les fonctions non essentielles sont désactivées pour vous permettre d'utiliser l'appareil le jour du sabbat.

En mode Sabbat, les fonctions suivantes sont désactivées :

- Congélation rapide automatique et Congélation rapide manuelle
- Alarme
- Production de glaçons
- Éclairage intérieur
- Signaux sonores
- Messages sur le bandeau de commande

**Remarque :** En mode Sabbat, l'éclairage du bandeau de commande est éteint. **⦿** s'allume en luminosité réduite.

### Activer le mode sabbat

1. Appuyez sur **≡**.
2. Appuyez sur **⦿**.
3. Appuyez sur **∨/∧** jusqu'à ce que "ON" s'allume.
4. Appuyez sur **≡**.

**Remarque :** Au bout d'environ 74 heures, l'appareil revient en fonctionnement normal.

### Désactiver le mode Sabbat

- ▶ Maintenir enfoncé **⦿** jusqu'à l'émission d'un signal sonore.
- ✓ **⦿** s'éteint.

## 8.6 Notification du changement de filtre

La notification de changement de filtre s'active tous les 6 mois.

**⦿** clignote.

**Remarque :** En cas d'augmentation de la consommation d'eau, la notification de changement de filtre s'enclenche plus tôt.

### Désactiver la notification de changement de filtre

1. Remplacez le filtre à eau.  
Le capuchon bypass ne doit pas être changé.
2. Appuyez sur **⦿**.
- ✓ **⦿** s'éteint.
- ✓ Le statut de changement du filtre est réinitialisé.

## 8.7 Réglages usine

En cas de dysfonctionnement, vous pouvez réinitialiser l'appareil aux réglages usine.

### Réinitialiser l'appareil aux réglages usine

- ▶ Appuyez sur **\*\*** pendant 4 à 7 secondes jusqu'à l'émission d'un signal sonore.
- ✓ "OO" s'allume pendant le processus.

- ✓ Une fois réinitialisé, l'appareil reprend son fonctionnement normal.

## 9 Alarme

### 9.1 Alarme de porte

L'alarme de porte retentit lorsque la porte de l'appareil reste ouverte longtemps.

Une alarme sonore retentit, 🔔 clignote et la température réglée du compartiment concerné clignote.

#### Désactiver l'alarme de porte

- ▶ Fermez la porte de l'appareil ou appuyez sur 🔔.
- ✓ L'alarme sonore est désactivée.

### 9.2 Alarme de température

Si la température monte trop dans le compartiment congélation, l'alarme de température retentit.

Une alarme sonore retentit, 🔔 clignote et la température réglée du compartiment concerné clignote.

#### ⚠ MISE EN GARDE

Lors de la décongélation, les bactéries peuvent se multiplier et les aliments congelés peuvent s'abîmer.

- ▶ Ne remettez pas à congeler des produits alimentaires partiellement ou entièrement décongelés.
- ▶ Ne recongelez les aliments qu'après avoir les avoir fait cuire ou rôti.
- ▶ N'utilisez plus la durée de conservation dans son intégralité.

L'alarme de température peut s'enclencher dans les cas suivants :

- L'appareil est mis en route.  
Attendez que la température réglée soit atteinte avant de ranger les produits.
- Rangement de grandes quantités de produits alimentaires frais.  
Activez Congélation rapide avant de ranger de grandes quantités de nourriture.
- Porte du compartiment congélation restée trop longtemps ouverte.  
Vérifiez si les produits surgelés ont été décongelés.

#### Éteindre l'alarme de température

- ▶ Appuyez sur 🔔.
- ✓ L'alarme sonore est désactivée.
- ✓ À partir de ce moment-là, l'appareil détermine et enregistre à nouveau la température la plus élevée.

## 10 Home Connect®

Cet appareil peut être mis en réseau. Branchez votre appareil à un appareil mobile pour en effectuer la commande via l'application Home Connect®.

Les services Home Connect® ne sont pas proposés dans tous les pays. La disponibilité de la fonction Home Connect® dépend de la disponibilité des services Home Connect® dans votre pays. Vous trouverez de plus amples informations à ce sujet à l'adresse : [www.home-connect.com](http://www.home-connect.com).

Pour utiliser Home Connect®, configurez d'abord la connexion à votre réseau domestique WLAN (Wi-Fi<sup>1</sup>) et à l'application Home Connect®.

Attendez au moins 3 minutes après la mise en marche de l'appareil, jusqu'à ce que l'initialisation interne de l'appareil soit achevée. Réglez ensuite d'abord Home Connect®.

L'application Home Connect® vous guide tout au long du processus de connexion. Suivez les directives et observez les consignes de l'application Home Connect®.

#### Remarques

- Observez les consignes de sécurité de la présente notice d'utilisation et assurez-vous qu'elles sont également respectées si vous utilisez l'appareil avec l'application Home Connect®.  
→ "Sécurité", Page 26
- Les commandes sur l'appareil même ont toujours priorité. Pendant ce temps, la commande via l'application Home Connect® n'est pas possible.

### 10.1 Configurer Home Connect®

**Exigence :** L'appareil a accès au réseau domestique WLAN (Wi-Fi) sur le lieu d'installation.

1. Scanner le code QR ci-après.



Le code QR vous permet d'installer l'appli Home Connect® et de connecter votre appareil.

2. Suivez les instructions de l'application Home Connect®.

### 10.2 Activer la connexion au réseau domestique WLAN (Wi-Fi)

- ▶ Appuyez sur 📶.

<sup>1</sup> Wi-Fi est une marque déposée de la société Wi-Fi Alliance.

### 10.3 Désactiver la connexion au réseau domestique WLAN (Wi-Fi)

- ▶ Appuyer sur .

### 10.4 Installer la mise à jour du logiciel Home Connect®


**Remarque :** Si une mise à jour du logiciel Home Connect® est disponible, un message apparaît dans l'appli Home Connect®.

Vous trouverez la version actuelle du logiciel dans l'appli Home Connect® sous les informations relatives à l'appareil.

- ▶ Pour installer la mise à jour du logiciel Home Connect®, suivez les instructions de l'appli Home Connect®.
- ✓ Pendant l'installation, le bandeau de commande est partiellement verrouillé.

### 10.5 Réinitialiser les réglages Home Connect®

Si vous rencontrez des problèmes de connexion de votre appareil à votre réseau domestique WLAN (Wi-Fi) ou si vous souhaitez enregistrer votre appareil dans un autre réseau domestique WLAN (Wi-Fi), vous pouvez réinitialiser les réglages de Home Connect®.

- ▶ Appuyez sur  pendant 7 à 10 secondes jusqu'à l'émission d'un troisième signal sonore.
- ✓ Les réglages de Home Connect® sont réinitialisés.

### 10.6 Diagnostic à Distance

Le service à la clientèle peut accéder à votre appareil à l'aide de Diagnostic à Distance si vous le lui demandez, à condition que votre appareil soit connecté au serveur Home Connect® et que Diagnostic à Distance soit disponible pour votre appareil et votre pays. Pour des informations sur la disponibilité de Diagnostic à Distance dans votre pays, consultez la section Service/Soutien de votre site Web local : [www.home-connect.com](http://www.home-connect.com). Veuillez noter que si Diagnostic à Distance peut aider à résoudre certains problèmes, il peut arriver qu'une visite sur place soit nécessaire si le problème ne peut être résolu à distance.

### 10.7 Protection des données

Observez les conseils de protection des données. Lors de la première connexion de votre appareil à un réseau domestique relié à Internet, votre appareil transmet les catégories de données suivantes au serveur Home Connect® (premier enregistrement) :

- Code d'appareil univoque (constitué de clés d'appareil ainsi que de l'adresse MAC du module de communication Wi-Fi intégré).
- Certificat de sécurité du module de communication Wi-Fi (pour la protection des informations de la connexion).

- La version actuelle du logiciel et du matériel de votre électroménager.
- État d'une précédente restauration éventuelle des réglages d'usine.

Ce premier enregistrement prépare l'utilisation des fonctions Home Connect® et s'avère uniquement nécessaire au moment où vous souhaitez utiliser les fonctions Home Connect® pour la première fois.

**Remarque :** Veuillez noter que les fonctions Home Connect® ne sont utilisables qu'avec l'application Home Connect®. Vous pouvez consulter les informations sur la protection des données dans l'appli Home Connect®.


## 11 Compartiment congélation

Dans le compartiment congélation, vous pouvez stocker des aliments congelés, congeler des aliments et confectionner des glaçons.

La température est réglable de 6 °F (–14 °C) à –6 °F (–21 °C).

La température de stockage à long terme des aliments doit se situer à 0 °F (–18 °C) ou encore plus bas.

Pour protéger les aliments des brûlures de congélation, il est possible de régler une température permanente de –11 °F (–24 °C).

Pour protéger les aliments riches en graisses comme le poisson et la viande contre l'oxydation, il est possible de régler une température permanente de –11 °C (–24 °F). À partir d'une température du congélateur de –11 °C (–24 °F),  s'allume.

La congélation vous permet de stocker les aliments facilement périssables à long terme. Les basses températures ralentissent ou stoppent la l'altération des aliments.

### 11.1 Conseils pour ranger des aliments dans le compartiment congélation

- Conservez les aliments dans des emballages hermétiques.
- Veillez à ce que les aliments à congeler n'entrent pas en contact avec d'autres déjà congelés.
- Répartissez les produits alimentaires sur une grande surface dans les bacs à produits congelés.

### 11.2 Conseils pour congeler des aliments frais

- Congelez uniquement des aliments frais et d'un aspect impeccable.
- Congelez les aliments en portions.
- Les plats cuisinés sont plus appropriés que les aliments crus comestibles.
- Lavez, hachez et blanchissez les légumes avant de les congeler.
- Avant la congélation, lavez les fruits, retirez les pépins et épluchez les fruits si nécessaire, ajoutez du sucre ou une solution d'acide ascorbique si nécessaire.

- Les produits de boulangerie, le poisson et les fruits de mer, la viande, le gibier et la volaille, les œufs sans coquille, le fromage, le beurre, le caillé, les plats préparés et les restes se prêtent à la congélation.
- La laitue, les radis, les œufs en coquille, les raisins, les pommes et poires crues, le yaourt, la crème aigre, la crème fraîche et la mayonnaise ne se prêtent pas à la congélation.

### Emballer les surgelés

Un matériau d'emballage approprié et le bon type d'emballage sont essentiels pour maintenir la qualité du produit et éviter les brûlures de congélation.

1. Placez les aliments dans l'emballage.
2. Pressez pour chasser l'air.
3. Fermez hermétiquement l'emballage afin que les aliments ne perdent pas leur saveur ou ne se dessèchent pas.
4. Indiquez sur l'emballage le contenu et la date de congélation.

## 11.3 Méthodes de décongélation pour aliments congelés

### ⚠ MISE EN GARDE

Lors de la décongélation, les bactéries peuvent se multiplier et les aliments congelés peuvent s'abîmer.

- ▶ Ne remettez pas à congeler des produits alimentaires partiellement ou entièrement décongelés.
- ▶ Ne recongelez les aliments qu'après avoir les avoir fait cuire ou rôti.
- ▶ N'utilisez plus la durée de conservation dans son intégralité.
- Décongelez les aliments d'origine animale dans le compartiment réfrigération, par exemple le poisson, la viande, le fromage et le lait caillé.
- Décongelez le pain à température ambiante.
- Préparez les aliments au micro-ondes, au four ou sur la table de cuisson pour une consommation immédiate.

## 12 Système hydraulique

Votre appareil est doté de composants contenant de l'eau. Le système hydraulique fonctionne uniquement si un filtre à eau ou un capuchon bypass est installé.

Désactivez la production de glaçons avant de débrancher l'appareil du raccord d'eau potable. → Page 40

### 12.1 Filtre à eau

Le filtre à eau filtre les particules et le goût de chlore de l'eau.

Le filtre à eau réduit d'autres impuretés, par exemple les chloramines, le plomb et les produits pharmaceutiques.

**Remarque :** Le filtre à eau ne filtre pas les bactéries ou microbes.

Changez le filtre à eau :

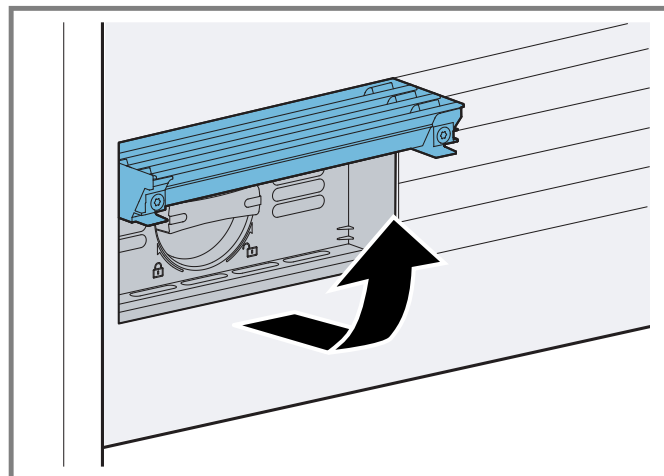
- tous les 6 mois.
- lorsque ☺ s'allume.
- lorsque le débit d'eau est visiblement réduit.
- lorsque la production de glaçons est visiblement réduite.

### Conseils

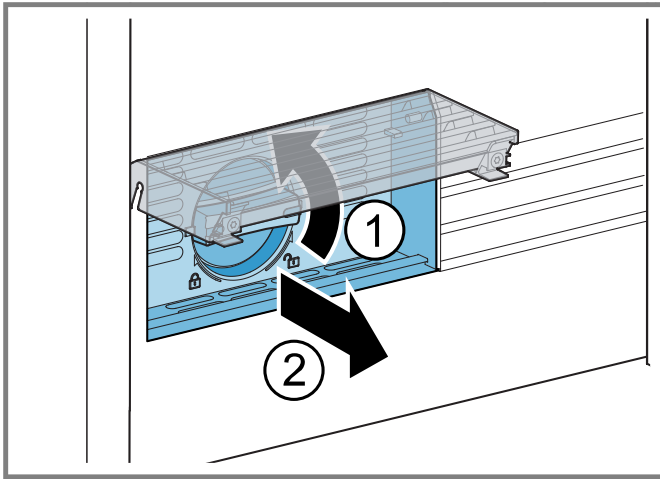
- Pour un filtre à eau neuf, adressez-vous à notre service après-vente, à votre revendeur ou consultez notre site Web.
- Si vous ne souhaitez pas utiliser de filtre à eau dans votre appareil ou faire installer un système de filtre à eau externe, vous pouvez remplacer le filtre à eau de façon permanente par un capuchon bypass. Le capuchon bypass filtre uniquement les particules grossières de l'eau et peut être nettoyé si nécessaire. Pour un capuchon bypass, adressez-vous à notre service après-vente ou consultez notre site Web.

### Changer le filtre à eau ou le remplacer par un capuchon bypass

1. Ouvrir le couvercle du filtre vers le haut.

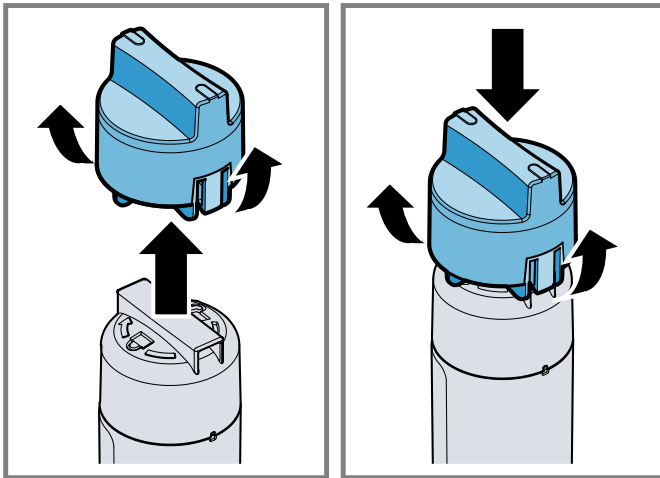


2. Tournez le filtre à eau de 90° dans le sens inverse des aiguilles d'une montre ① et retirez ②.
  - Retirez le filtre à eau avec précaution car il peut se trouver sous pression.



**Conseil :** Vous pouvez jeter le filtre à eau usé avec les ordures ménagères.

3. Retirez le capuchon du filtre à eau utilisé puis placez-le sur le nouveau filtre à eau ou sur un capuchon bypass.



4. Poussez le nouveau filtre à eau ou le capuchon bypass jusqu'en butée dans l'ouverture du filtre, puis faites-le pivoter à 90° dans le sens horaire jusqu'en butée.
5. Fermer le couvercle du filtre.
6. Jetez tous les glaçons produits au cours des premières 24 heures, prélevez de l'eau pendant 5 minutes et jetez-la.

## 12.2 Notification du changement de filtre

La notification de changement de filtre s'active tous les 6 mois.

☉ clignote.

**Remarque :** En cas d'augmentation de la consommation d'eau, la notification de changement de filtre s'enclenche plus tôt.

### Désactiver la notification de changement de filtre

1. Remplacez le filtre à eau.

Le capuchon bypass ne doit pas être changé.

2. Appuyez sur ☉.

- ✓ ☉ s'éteint.
- ✓ Le statut de changement du filtre est réinitialisé.

## 12.3 Distributeur de glaçons

Utilisez le distributeur de glaçons pour produire des glaçons.

### ⚠ AVERTISSEMENT

Les pièces rotatives peuvent provoquer des blessures.

- ▶ Ne passez jamais la main sous ou dans le distributeur de glaçons.

	Production de glaçons
	Accélération de la production de glaçons

**Remarque :** Le distributeur de glaçons détecte automatiquement que la réserve à glaçons est pleine et arrête la production de glaçons.

Le remplissage de la réserve à glaçons peut prendre jusqu'à 48 heures.

**Conseil :** Si les glaçons ont un goût désagréable, jetez les glaçons restants et la production de glaçons des 24 heures suivantes. Si les glaçons continuent à avoir mauvais goût par la suite, changez le filtre à eau.

### Mettre en service le distributeur de glaçons

#### Remarques

- La production de glaçons démarre dès que l'appareil est allumé et que le compartiment congélation a atteint la température réglée.
- Les premiers glaçons sont prêts environ 4 heures après que le compartiment congélation ait atteint la température réglée.

**Exigence :** L'appareil est raccordé à l'eau potable.

- ▶ Pour des raisons d'hygiène, jetez tous les glaçons produits pendant les 24 premières heures.

### Lancer la production de glaçons

1. Appuyez sur le bandeau de commande.
2. Appuyez sur

### Arrêter la production de glaçons

1. Appuyez sur le bandeau de commande.
2. Appuyez sur

## 13 Dégivrer

### 13.1 Dégivrer le compartiment congélation

Grâce au système « NoFrost » entièrement automatique, le compartiment congélation ne se couvre pas de givre. Aucun dégivrage n'est nécessaire. Aucun dégivrage n'est nécessaire.

## 14 Nettoyage et entretien

**Remarque :** La déclaration de garantie limitée du produit couvre les défauts de matériaux et de fabrication. Le nettoyage et l'entretien ne sont pas couverts par la garantie et sont payants. Pour plus de détails, voir la déclaration de garantie limitée du produit.

### 14.1 Consignes d'entretien pour les surfaces en inox

Pour l'entretien et le nettoyage des surfaces en inox, utilisez uniquement des produits de nettoyage et des chiffons adaptés à l'acier inoxydable.

#### Conseils

- Pour éviter les rayures visibles, essuyez la surface en inox dans le sens de sa structure.
- Vous pouvez vous procurer des produits de nettoyage et des chiffons appropriés auprès de notre Service après-vente, de votre revendeur ou sur notre site Web.

### 14.2 Préparer l'appareil pour le nettoyage

1. Éteindre l'appareil. → *Page 35*
2. Débranchez l'appareil du réseau électrique.  
Retirez la fiche du cordon d'alimentation secteur ou désactivez le fusible dans la boîte à fusibles.
3. Retirez tous les aliments de l'appareil et rangez-les dans un endroit frais.  
Si possible, placez des accumulateurs de froid sur les aliments.
4. Retirez toutes les pièces d'équipement et les accessoires de l'appareil. → *Page 41*

### 14.3 Nettoyer l'appareil

#### ⚠ AVERTISSEMENT

L'humidité qui pénètre peut occasionner une électrocution.

- ▶ N'utilisez pas de nettoyeur haute pression ou de nettoyeur à vapeur pour nettoyer l'appareil.

#### AVIS :

Les produits de nettoyage inappropriés risquent d'endommager la surface de l'appareil.

- ▶ N'utilisez pas de tampon abrasif ni d'éponge en laine d'acier.
- ▶ N'utilisez pas de produits de nettoyage agressifs ou récurants.

- ▶ N'utilisez pas de produits de nettoyage fortement alcoolisés,

Si vous nettoyez les pièces d'équipement et les accessoires au lave-vaisselle, ceux-ci risquent de se déformer ou de déteindre.

- ▶ Ne nettoyez jamais les équipements et accessoires au lave-vaisselle.

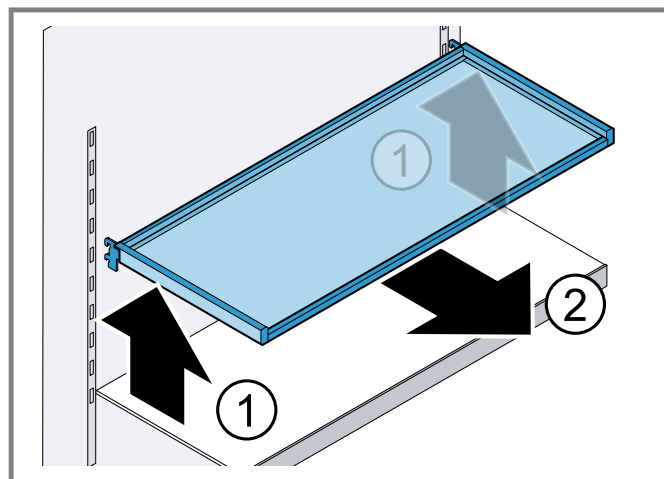
1. Préparez l'appareil pour le nettoyage. → *Page 41*
2. Nettoyez l'appareil, les pièces d'équipement, les accessoires et les joints de porte avec une lavette, de l'eau tiède et du produit à vaisselle présentant un pH neutre.
3. Séchez ensuite minutieusement avec un chiffon doux et sec.
4. Insérez les pièces d'équipement.
5. Raccordez l'appareil électriquement. → *Page 30*
6. Mettez l'appareil sous tension. → *Page 34*
7. Rangez les aliments.

### 14.4 Retirer les pièces d'équipement

Si vous souhaitez nettoyer soigneusement les pièces d'équipement, retirez celles-ci de votre appareil.

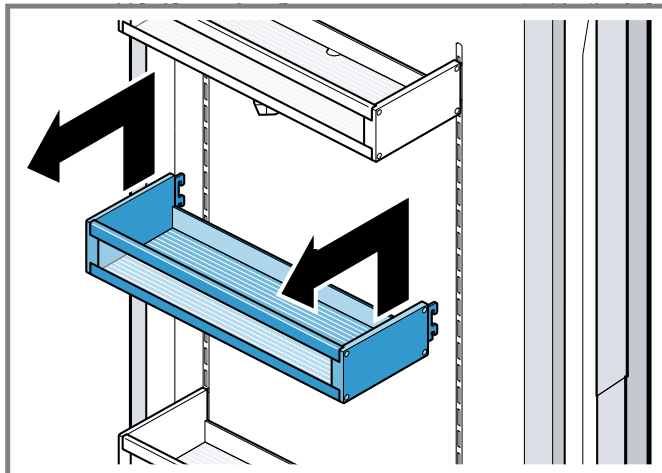
#### Retirer la clayette

- ▶ Soulevez la clayette ① et retirez-la ②.

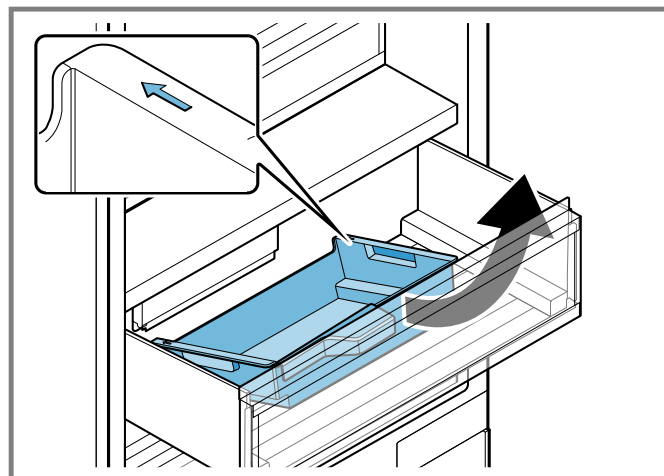


### Retirer le compartiment de contre-porte

- ▶ Soulevez le compartiment dans la contre-porte vers le haut et retirez-le.

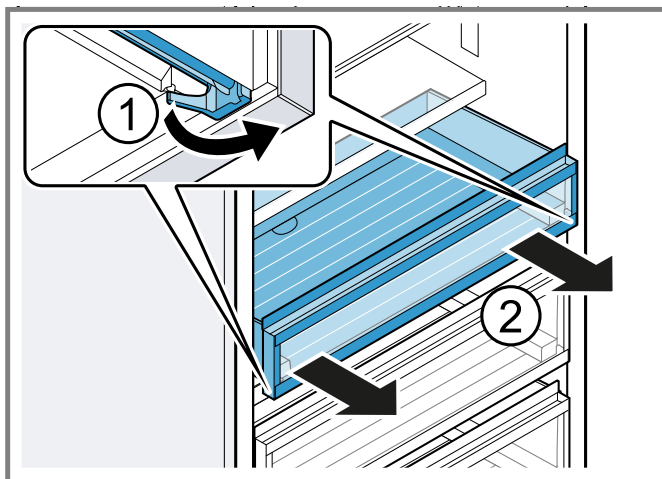


2. Soulevez la réserve à glaçons vers l'avant et retirez-la.



### Retirer le bac tiroir à aliments congelés

1. Tirez le récipient coulissant pour aliments surgelés jusqu'à ce qu'il s'arrête.
2. Sous le bac tiroir à aliments congelés, appuyez de chaque côté sur la sécurité des rails télescopiques de l'intérieur vers l'extérieur ① et retirez le bac tiroir à aliments congelés ②.



### Retirer la réserve à glaçons

1. Tirez le récipient coulissant pour aliments surgelés jusqu'à ce qu'il s'arrête.

## 15 Dépannage


Vous pouvez éliminer vous-même les défauts mineurs de votre appareil. Veuillez lire les informations de dépannage avant de contacter le service à la clientèle. Cela peut éviter des frais de réparation inutiles.



### AVERTISSEMENT

Pour éviter tout risque de blessure dû à des réparations incorrectes, respectez les points suivants.

- ▶ Seuls des techniciens qualifiés ou des prestataires de services agréés peuvent effectuer des réparations.

- ▶ Seules des pièces de rechange d'origine peuvent être utilisées pour réparer l'appareil.
- ▶ Afin d'écarter tout danger, quand le cordon d'alimentation de cet appareil est endommagé, seul le fabricant, son service à la clientèle ou toute autre personne de qualification équivalente est habilitée à le faire.

Défaut	Cause et dépannage
L'appareil ne réfrigère pas, les affichages et l'éclairage sont allumés.	L'appareil se trouve sur le mode Exposition. <ol style="list-style-type: none"> <li>1. Débranchez l'appareil du secteur. Retirez la fiche du cordon d'alimentation secteur ou désactivez le fusible dans le boîtier à fusibles.</li> <li>2. Raccordez à nouveau l'appareil après 5 minutes.</li> <li>3. Maintenez <b>**</b> enfoncé jusqu'à ce que 4 signaux sonores retentissent.</li> <li>4. Vérifiez après un court laps de temps si l'appareil réfrigère.</li> </ol>
L'éclairage par LED ne fonctionne pas.	Ce problème peut avoir de nombreuses causes. <ul style="list-style-type: none"> <li>▶ Appelez le service après-vente. → "Service à la clientèle", Page 46</li> </ul>
Le groupe frigorifique s'enclenche plus souvent et plus longtemps.	L'appareil a été ouvert fréquemment. <ul style="list-style-type: none"> <li>▶ N'ouvrez pas la porte de l'appareil inutilement.</li> </ul> <hr/> Les orifices de ventilation extérieurs sont recouverts. <ul style="list-style-type: none"> <li>▶ Retirez les obstacles situés devant les orifices de ventilation extérieurs.</li> </ul> <hr/> Il ne s'agit pas d'un défaut. Les appareils frigorifiques modernes se mettent en marche plus souvent et ont différents niveaux de puissance afin de refroidir plus efficacement. <ul style="list-style-type: none"> <li>▶ Retirez les obstacles situés devant les orifices de ventilation extérieurs.</li> <li>▶ Installez l'appareil aussi loin que possible des radiateurs, des cuisinières et des autres sources de chaleur. Évitez toute exposition prolongée de l'appareil aux rayons directs du soleil.</li> <li>▶ N'ouvrez la porte de l'appareil que le temps nécessaire.</li> <li>▶ Laissez d'abord les boissons et aliments chauds refroidir avant de les ranger.</li> </ul>
Home Connect® ne fonctionne pas correctement.	Ce problème peut avoir de nombreuses causes. <ul style="list-style-type: none"> <li>▶ Rendez-vous sur <a href="http://www.home-connect.com">www.home-connect.com</a>.</li> </ul>
Un "E" ou un "d" apparaît dans l'affichage de la température.	L'électronique a détecté un défaut. <ol style="list-style-type: none"> <li>1. Éteignez l'appareil. → Page 35</li> <li>2. Débranchez l'appareil du secteur. Retirez la fiche du cordon d'alimentation secteur ou désactivez le fusible dans le boîtier à fusibles.</li> <li>3. Raccordez à nouveau l'appareil après 5 minutes.</li> <li>4. Si ce message persiste, contactez le service après-vente. → "Service à la clientèle", Page 46</li> </ol>
 clignote et une alarme sonore retentit. L'alarme de porte est activée.	La porte de l'appareil est ouverte. <ul style="list-style-type: none"> <li>▶ Fermez la porte de l'appareil.</li> </ul>

Défaut	Cause et dépannage
<p>Une alarme sonore retentit, l'affichage de la température (congélateur) et  clignotent.</p> <p>L'alarme de température est activée.</p>	<p>Ce problème peut avoir de nombreuses causes.</p> <ol style="list-style-type: none"> <li>Appuyez sur .</li> <li>✓ L'alarme s'éteint.</li> <li>Vérifiez après quelques heures si la température réglée dans le compartiment congélation a de nouveau été atteinte.</li> </ol> <hr/> <p>Les orifices de ventilation extérieurs sont recouverts.</p> <ul style="list-style-type: none"> <li>Retirez les obstacles situés devant les orifices de ventilation extérieurs.</li> </ul> <hr/> <p>L'appareil est rempli de grandes quantités de produits alimentaires frais.</p> <ul style="list-style-type: none"> <li>Éteignez Congélation rapide avant d'entreposer une plus grande quantité d'aliments.</li> </ul> <p>→ "Activer la fonction Congélation rapide manuelle", Page 35</p>
<p>La température dévie fortement par rapport au réglage.</p>	<p>Ce problème peut avoir de nombreuses causes.</p> <ol style="list-style-type: none"> <li>Éteignez l'appareil. → Page 35</li> <li>Allumez à nouveau l'appareil après env. 5 minutes. → Page 34 <ul style="list-style-type: none"> <li>Si la température est trop élevée, vérifiez-la à nouveau au bout de quelques heures.</li> <li>Si la température est trop basse, vérifiez-la à nouveau le jour suivant.</li> </ul> </li> </ol>
<p>De l'eau fuit de l'appareil.</p>	<p>Le raccord d'eau ou le tuyau d'eau n'est pas étanche.</p> <ul style="list-style-type: none"> <li>Assurez-vous que les raccordements d'eau sont bien serrés et que le tuyau d'eau n'est pas endommagé.</li> </ul> <p>Si nécessaire, remplacez le tuyau d'eau.</p>
<p>Les glaçons sont produits en quantité insuffisante.</p>	<p>L'appareil a été raccordé.</p> <ul style="list-style-type: none"> <li>Patiencez environ 4 heures jusqu'à ce que la première production de glaçons soit prête.</li> </ul> <hr/> <p>Le compartiment congélation a été ouvert fréquemment ou pendant une longue période.</p> <ul style="list-style-type: none"> <li>Vérifiez au bout de quelques heures la production de glaçons.</li> </ul> <hr/> <p>La pression de l'eau est basse.</p> <ul style="list-style-type: none"> <li>Vérifiez la pression d'eau au niveau de l'alimentation en eau ou du système de filtre à eau externe, par exemple, l'installation d'osmose inverse.</li> </ul> <p>Raccordez l'appareil uniquement à un raccordement d'eau ayant une pression suffisante. → Page 29</p> <hr/> <p>Le filtre à eau est bouché.</p> <ul style="list-style-type: none"> <li>Changez le filtre à eau.</li> </ul> <hr/> <p>Des aliments ou des objets bloquent le capteur de niveau du distributeur de glaçons.</p> <ul style="list-style-type: none"> <li>Enlevez tous les objets ou aliments du bac à glaçons.</li> </ul> <hr/> <p>Dysfonctionnement du distributeur de glaçons.</p> <ol style="list-style-type: none"> <li>Éteignez l'appareil. → Page 35</li> <li>Débranchez l'appareil du secteur. <ul style="list-style-type: none"> <li>Retirez la fiche du cordon d'alimentation secteur ou désactivez le fusible dans le boîtier à fusibles.</li> </ul> </li> <li>Raccordez à nouveau l'appareil après 5 minutes.</li> <li>Si le dysfonctionnement persiste, appelez le Service après-vente. → Page 46</li> </ol>
<p>Le distributeur de glaçons ne fonctionne pas.</p>	<p>La production de glaçons est désactivée.</p> <ul style="list-style-type: none"> <li>Lancez la production de glaçons. → Page 40</li> </ul> <hr/> <p>Aucune alimentation en eau.</p> <ul style="list-style-type: none"> <li>Assurez-vous qu'il y a une alimentation en eau et que la vanne d'arrêt sur le raccordement d'eau est ouverte.</li> </ul>

Défaut	Cause et dépannage
Le distributeur de glaçons ne fonctionne pas.	<p>Contactez un installateur si nécessaire.</p> <hr/> <p>Le tube d'entrée est plié.</p> <ul style="list-style-type: none"> <li>▶ Fermez l'alimentation en eau et redressez le coude du tuyau d'eau.</li> </ul> <p>Si nécessaire, remplacez le tuyau d'eau.</p> <hr/> <p>Dysfonctionnement du distributeur de glaçons.</p> <ol style="list-style-type: none"> <li>1. Éteignez l'appareil. → <i>Page 35</i></li> <li>2. Débranchez l'appareil du secteur.</li> </ol> <p>Retirez la fiche du cordon d'alimentation secteur ou désactivez le fusible dans le boîtier à fusibles.</p> <ol style="list-style-type: none"> <li>3. Raccordez à nouveau l'appareil après 5 minutes.</li> <li>4. Si le dysfonctionnement persiste, appelez le Service après-vente. → <i>Page 46</i></li> </ol>
L'appareil vrombit, fait des bulles, des bourdonnements, des cliquetis, des claquements ou des grondements.	<p>Il ne s'agit pas d'un défaut. Un moteur tourne, par ex. groupe frigorifique, ventilateur. Du fluide frigorigène circule dans les tuyaux. Le moteur, les interrupteurs, les électrovannes et les vannes à eau s'allument ou s'éteignent. Le dégivrage automatique est en cours. Les glaçons tombent dans le bac à glaçons. Aucune action nécessaire.</p>
L'appareil émet des bruits.	<p>L'appareil ne repose pas d'aplomb.</p> <ul style="list-style-type: none"> <li>▶ Nivelez l'appareil à l'aide d'un niveau à bulle et des pieds à vis.</li> </ul> <hr/> <p>Les pièces d'équipement vacillent ou se coincent.</p> <ul style="list-style-type: none"> <li>▶ Vérifiez les pièces d'équipement amovibles et remettez-les éventuellement en place correctement.</li> </ul> <hr/> <p>Les récipients se touchent.</p> <ul style="list-style-type: none"> <li>▶ Écartez les récipients les uns des autres.</li> </ul> <hr/> <p>La fonction Congélation rapide est activée.</p> <p>Aucune action nécessaire.</p>

## 15.1 Panne de courant

En cas de panne de courant, la température à l'intérieur de l'appareil augmente, ce qui raccourcit la durée de conservation et réduit la qualité des aliments congelés.

### Remarques

- Ouvrez l'appareil le moins possible en cas de panne de courant et ne stockez pas d'autres aliments.
- Vérifiez la qualité des aliments immédiatement après la panne de courant.
  - Jetez les aliments congelés qui sont décongelés et dont la température est supérieure à 41 °F (5 °C).
  - Faites bouillir ou frire des aliments congelés légèrement décongelés et consommez-les ou recongelez-les.

5. Démontez le filtre à eau.
6. Nettoyez l'appareil. → *Page 41*
7. Afin de garantir la ventilation de l'espace intérieur, laissez l'appareil ouvert.

## 16.2 Éliminer un appareil usagé

L'élimination dans le respect de l'environnement permet de récupérer de précieuses matières premières.

### AVERTISSEMENT

Les enfants risquent de s'enfermer dans l'appareil et de mettre leur vie en danger.

- ▶ Retirez les portes de l'appareil.
- ▶ Pour compliquer la pénétration des enfants dans l'appareil, ne retirez pas les clayettes et les bacs.
- ▶ Éloignez les enfants de l'appareil qui a cessé de servir.

### AVERTISSEMENT

En cas d'endommagement des tuyaux, du fluide frigorigène inflammable et des gaz nocifs peuvent s'échapper et s'enflammer.

- ▶ Veillez à ne pas endommager les tubulures du circuit frigorifique, ni l'isolant.

1. Débranchez la fiche du secteur.

## 16 Entreposage et mise au rebut

### 16.1 Mettre l'appareil hors service

1. Éteindre l'appareil. → *Page 35*
2. Débranchez l'appareil du réseau électrique.
 

Retirez la fiche du cordon d'alimentation secteur ou désactivez le fusible dans la boîte à fusibles.
3. Débranchez l'appareil du raccordement à l'eau potable.
4. Retirez tous les aliments.

2. Coupez le câble de raccordement secteur.
3. Retirez les portes de l'appareil.
4. Éliminez l'appareil dans le respect de l'environnement.  
Pour connaître les circuits d'élimination actuels, veuillez vous adresser à votre revendeur ou à votre administration municipale.

---

## 17 Service à la clientèle

Lors de toute réparation réalisée dans le cadre de la garantie, nous nous assurons que votre appareil est réparé avec des pièces de rechange d'origine par un technicien dûment formé et agréé. Nous utilisons exclusivement des pièces de rechange d'origine lors des réparations.

Vous pouvez obtenir auprès de notre service après-vente des pièces détachées d'origine relatives au fonctionnement de l'appareil et pouvant être stockées jusqu'à 15 ans après la commercialisation de votre appareil.

Veuillez contacter notre service clientèle pour obtenir d'autres informations à ce sujet.

Pour plus d'informations sur la durée et les conditions de la garantie dans votre pays, consultez nos modalités de garantie auprès de votre détaillant ou sur notre site Web. USA:

1-877-442-4436

[www.gaggenau.com](http://www.gaggenau.com)

[www.gaggenau.com/us/appliances/eshop](http://www.gaggenau.com/us/appliances/eshop)

CA:

1-877-442-4436

[www.gaggenau.com](http://www.gaggenau.com)

[www.gaggenau.ca](http://www.gaggenau.ca)

### Résidents du Québec :

Vous trouverez des renseignements sur la disponibilité des pièces de rechange, des services de réparation et des renseignements nécessaires à l'entretien ou à la réparation de l'appareil à l'adresse suivante :

[www.gaggenau.com/ca/fr/service/residents-du-qc](http://www.gaggenau.com/ca/fr/service/residents-du-qc)



**GAGGENAU**

Vous trouverez également de l'aide pour contacter Home Connect® à l'adresse suivante :

[www.home-connect.com/us/en/help-support/set-up](http://www.home-connect.com/us/en/help-support/set-up)

## 17.1 Numéro de modèle (E-Nr.), numéro de fabrication (FD) et numéro de comptage (Z-Nr.)

Si vous contactez le service à la clientèle, indiquez le numéro de modèle (E-Nr.) le numéro de fabrication (FD) et le numéro de série (Z-Nr.) indiqués sur la plaque signalétique de l'appareil.

→ "Appareil", Fig. 1/7, Page 32

Pour retrouver rapidement les données de votre appareil et le numéro de téléphone du service à la clientèle, n'hésitez pas à les recopier ailleurs.

---

## 18 Données techniques

La plaque signalétique mentionne le fluide frigorigène, le volume net ainsi que d'autres données techniques.

→ "Appareil", Fig. 1/7, Page 32

### 18.1 Informations sur le logiciel libre

Ce produit contient des composants logiciels dont la licence est accordée par les détenteurs des droits d'auteur en tant que logiciels libres ou open source.

Les informations de licence correspondantes sont énoncées sur l'électroménager. Il est également possible d'accéder aux informations de licence via l'application Home Connect®; « Profil -> Consignes légales -> Informations de licence ». <sup>1</sup> Vous pouvez également télécharger les informations de licence sur le site Web du produit de marque. (Veuillez rechercher votre modèle d'appareil et la documentation connexe sur le site Web du produit.) Vous pouvez également demander les informations nécessaires par courriel à l'adresse [ossrequest@bshg.com](mailto:ossrequest@bshg.com) ou par courrier à l'adresse BSH Hausgeräte GmbH, Carl-Wery-Str. 34, D-81739 München. Le code source concerné sera mis à votre disposition sur demande.

Veuillez envoyer votre demande par courriel à l'adresse [ossrequest@bshg.com](mailto:ossrequest@bshg.com) ou par courrier à l'adresse BSH Hausgeräte GmbH, Carl-Wery-Str. 34, D-81739 München. Objet : „OSSREQUEST“

Les coûts de traitement de votre demande vous seront facturés. Cette offre est valide pour une durée de trois ans à compter de la date d'achat ou du moins pour la période durant laquelle nous offrons la prise en charge et des pièces de rechange pour l'appareil correspondant.

---

<sup>1</sup> selon l'équipement de l'appareil

Para más información, consulte la Guía del usuario digital.



## Tabla de contenidos

<b>1 Seguridad</b> .....	<b>49</b>	8.3 Dispositivo auxiliar para apertura de la puerta.....	59
1.1 Definiciones de seguridad .....	49	8.4 Iluminación interior .....	59
1.2 Indicaciones generales .....	49	8.5 Modo Sabbat.....	59
1.3 Uso previsto .....	49	8.6 Notificación de cambio de filtro.....	59
1.4 Limitación del grupo de usuarios.....	49	8.7 Ajustes de fábrica.....	60
1.5 Transporte seguro.....	49	<b>9 Alarma</b> .....	<b>60</b>
1.6 Instalación segura.....	49	9.1 Alarma de la puerta.....	60
1.7 Uso seguro .....	50	9.2 Alarma de temperatura.....	60
1.8 Aparato dañado .....	51	<b>10 Home Connect®</b> .....	<b>60</b>
1.9 Advertencias en virtud de la Proposición 65 del estado de California .....	51	10.1 Configurar Home Connect® .....	60
<b>2 Evitar daños materiales</b> .....	<b>52</b>	10.2 Activar la conexión con la red doméstica WLAN (Wi-Fi) .....	61
<b>3 Protección del medio ambiente y ahorro</b> .....	<b>52</b>	10.3 Desactivar la conexión con la red doméstica WLAN (Wi-Fi) .....	61
3.1 Consejos para la eliminación del embalaje .....	52	10.4 Instalar la actualización de software de Home Connect®.....	61
3.2 Ahorrar energía.....	52	10.5 Restablecer los ajustes de Home Connect® .....	61
<b>4 Instalación y conexión</b> .....	<b>53</b>	10.6 Diagnóstico Remoto .....	61
4.1 Material entregado .....	53	10.7 Protección de datos.....	61
4.2 Requisitos para seleccionar el lugar de colocación.....	53	<b>11 Congelador</b> .....	<b>61</b>
4.3 Instalación del aparato .....	53	11.1 Consejos para colocar los alimentos en el congelador .....	62
4.4 Preparar el aparato para el primer uso.....	53	11.2 Consejos para congelar alimentos frescos .....	62
4.5 Conectar el aparato a la toma de agua .....	53	11.3 Métodos de descongelación para productos congelados.....	62
4.6 Conectar el aparato a la red eléctrica.....	53	<b>12 Sistema de agua</b> .....	<b>62</b>
<b>5 Familiarizándose con el aparato</b> .....	<b>54</b>	12.1 Filtro de agua .....	62
5.1 Aparato .....	54	12.2 Notificación de cambio de filtro.....	63
5.2 Panel de control .....	55	12.3 Fabricador de cubitos de hielo .....	63
5.3 Panel de control (submenú) .....	56	<b>13 Descongelación</b> .....	<b>64</b>
<b>6 Equipamiento</b> .....	<b>56</b>	13.1 Descongelación dentro del congelador.....	64
6.1 Bandeja.....	56	<b>14 Limpieza y cuidados</b> .....	<b>64</b>
6.2 Cajón deslizante de productos congelados .....	57	14.1 Indicación para la conservación de superficies de acero inoxidable .....	64
6.3 Estantes de la puerta para botellas .....	57	14.2 Preparar el aparato para su limpieza.....	64
6.4 Depósito para cubitos de hielo .....	57	14.3 Limpiar el aparato.....	64
6.5 Accesorios .....	57	14.4 Retirar elementos del aparato .....	64
<b>7 Manejo básico</b> .....	<b>57</b>	<b>15 Solucionar pequeñas averías</b> .....	<b>66</b>
7.1 Encender el aparato.....	57	15.1 Interrupción del suministro eléctrico .....	68
7.2 Advertencias relativas al funcionamiento del aparato.....	58	<b>16 Almacenamiento y eliminación</b> .....	<b>68</b>
7.3 Apagar el aparato .....	58	16.1 Interrumpir el funcionamiento del aparato .....	68
7.4 Ajustar la unidad de temperatura .....	58	16.2 Eliminación de los aparatos usados .....	69
7.5 Ajustar la temperatura.....	58		
7.6 Bloqueo de teclas .....	58		
<b>8 Funciones adicionales</b> .....	<b>58</b>		
8.1 Función Congelación rápida automática .....	58		
8.2 Congelación rápida manual.....	58		

<b>17 Servicio de atención al cliente .....</b>	<b>69</b>
17.1 Número de modelo (E-Nr.), número de fabricación (FD) y número de conteo (Z-Nr.) .....	69
<b>18 Datos técnicos .....</b>	<b>69</b>
18.1 Informaciones referentes al software libre y de código abierto .....	69



# INSTRUCCIONES DE SEGURIDAD IMPORTANTES

## LEA Y CONSERVE ESTAS INSTRUCCIONES

Tenga en cuenta las siguientes indicaciones de seguridad.

### 1.1 Definiciones de seguridad

Aquí puede encontrar explicaciones de las palabras de señal de seguridad utilizadas en este manual.

#### **ADVERTENCIA**

Esto indica que pueden producirse la muerte o heridas graves si no se cumple con esta advertencia.

#### **PRECAUCIÓN**

Esto indica que pueden producirse heridas leves o moderadas si no se cumple con esta advertencia.

#### **AVISO:**

Esto indica que pueden producirse daños en el aparato o en los bienes si no se cumple con este aviso.

**Nota:** Esto alerta sobre información importante.

### 1.2 Indicaciones generales

- Lea atentamente estas instrucciones.
- Guarde las instrucciones y la información del producto para consultas posteriores o para el próximo propietario.
- El aparato no debe conectarse en caso de haber sufrido daños durante el transporte.

### 1.3 Uso previsto

Utilizar este aparato solo:

- para congelar alimentos, así como para preparar cubitos de hielo.
- en el uso doméstico privado y en espacios cerrados del entorno doméstico.
- hasta una altura de 9,842.5 ft (3000 m) sobre el nivel del mar.

### 1.4 Limitación del grupo de usuarios

Este aparato no está diseñado para ser utilizado por personas (incluidos niños) con capacidades físicas, sensoriales o mentales reducidas, o falta de experiencia y conocimiento, a menos que sean supervisados o instruidos acerca del uso del aparato por una persona responsable de su seguridad.

Impida que los niños jueguen con el aparato.

La limpieza y el cuidado del aparato a cargo del usuario no deberán ser efectuados por niños si no cuentan con la supervisión de una persona adulta responsable.

### 1.5 Transporte seguro

#### **ADVERTENCIA**

El aparato es muy pesado, con más peso en la parte superior, y se puede volcar.

- ▶ El aparato debe ser transportado por dos o más personas.
- ▶ Retirar el aparato del palet solo cuando esté listo para la instalación.
- ▶ Mantener cerrada la puerta hasta que el aparato esté fijado en el hueco de encastre.

#### **ADVERTENCIA**

El elevado peso del aparato podría causar lesiones al levantarlo.

- ▶ Levantar el aparato solamente con ayuda de otra persona.

### 1.6 Instalación segura

#### **ADVERTENCIA**

Para evitar el riesgo de lesiones por una instalación incorrecta, debe tenerse en cuenta lo siguiente.

- ▶ Asegúrese de que se sigan todas las instrucciones de instalación antes de su uso.
- ▶ Conectar y poner en funcionamiento el aparato solo de conformidad con los datos que figuran en la placa de características.
- ▶ Conectar el aparato solo a una fuente de alimentación con corriente alterna a través de una toma de corriente instalada reglamentariamente y provista de puesta a tierra.
- ▶ La conexión de puesta a tierra de la instalación eléctrica doméstica debe estar instalada de acuerdo con las normas vigentes.
- ▶ No alimentar nunca el aparato a través de un dispositivo de conmutación externo, como por ejemplo, un reloj avisador o un mando remoto.
- ▶ Cuando el aparato esté montado, el enchufe del cable de conexión a la red debe quedar accesible, o, en caso de que no sea posible, debe haberse instalado un dispositivo de separación en la instalación eléctrica fija según lo dispuesto en las normas de instalación.



# INSTRUCCIONES DE SEGURIDAD IMPORTANTES

## LEA Y CONSERVE ESTAS INSTRUCCIONES

- ▶ Al instalar el aparato debe prestarse atención a que el cable de conexión de red no quede atrapado ni se dañe.

Para evitar el riesgo de lesiones por el aislamiento dañado del cable de alimentación, tenga en cuenta lo siguiente.

- ▶ Evite que el cable de conexión de red entre en contacto con fuentes de calor.

### ADVERTENCIA

Si las aberturas de ventilación del aparato se encuentran cerradas, puede generarse una mezcla inflamable de aire y gas en caso de una fuga del circuito de enfriamiento.

- ▶ No cerrar las aberturas de ventilación de la carcasa del aparato o de la carcasa de la instalación.

### ADVERTENCIA

Para evitar el riesgo de lesiones por un cable de alimentación alargado y adaptadores no aprobados, tenga en cuenta lo siguiente.

- ▶ No utilizar cables de prolongación ni regletas de tomas de corriente múltiples.
- ▶ Utilizar solo adaptadores y cables de conexión de red autorizados por el fabricante.
- ▶ Si el cable de conexión es demasiado corto y no se dispone de un cable de conexión a la red más largo, hacer que un electricista realice los ajustes necesarios conforme a las normativas eléctricas nacionales y locales.

Las unidades de alimentación o las tomas de corriente múltiples, móviles, pueden sobrecalentarse y provocar incendios.

- ▶ No colocar las unidades de alimentación o las tomas de corriente múltiples móviles en la parte posterior de los aparatos.

### ADVERTENCIA

El aparato es muy pesado, con más peso en la parte superior, y se puede volcar.

- ▶ El aparato debe ser instalado por dos o más personas en cuanto deje de estar asegurado y se encuentre alejado del palet.
- ▶ Asegurar el aparato con la escuadra antivuelco suministrada.
- ▶ Vigilar el aparato durante la instalación.

### PRECAUCIÓN

Los bordes afilados de la unidad pueden causar cortes al tocarla.

- ▶ Llevar guantes protectores.

## 1.7 Uso seguro

### ADVERTENCIA

La penetración de humedad puede causar una descarga eléctrica.

- ▶ El aparato solo debe utilizarse en espacios interiores.
- ▶ No exponer el aparato a fuentes intensas de calor y humedad.
- ▶ No utilizar limpiadores por chorro de vapor ni de alta presión para limpiar el aparato.

### ADVERTENCIA

Para evitar el riesgo de asfixia en los niños, tener en cuenta las siguientes instrucciones.

- ▶ Mantener el material de embalaje fuera del alcance de los niños.
- ▶ No permita que los niños jueguen con el material de embalaje.

Los niños pueden inhalar o ingerir pequeñas piezas y asfixiarse.

- ▶ Mantener las piezas pequeñas fuera del alcance de los niños.
- ▶ No permita que los niños jueguen con piezas pequeñas.

### ADVERTENCIA

Los daños en el circuito de refrigeración pueden provocar incendios o explosiones.

- ▶ Para acelerar la descongelación, no utilizar ningún otro dispositivo mecánico u otro medio distinto a los recomendados por el fabricante.

- ▶ Separar los alimentos congelados adheridos con un objeto como el mango de una cuchara de madera.

Los productos que contienen gases propelentes o inflamables y las materias explosivas pueden causar una explosión (por ejemplo, aerosoles).

- ▶ No guardar productos que contengan gases propelentes o inflamables ni materias explosivas en el aparato.

### ADVERTENCIA

Los dispositivos eléctricos en el interior del aparato pueden provocar incendios (por ejemplo, calefactores, fábricas de hielo, etc.).

- ▶ No poner en funcionamiento dispositivos eléctricos en el interior del aparato.



# INSTRUCCIONES DE SEGURIDAD IMPORTANTES

## LEA Y CONSERVE ESTAS INSTRUCCIONES

### ADVERTENCIA

Los envases con bebidas carbonatadas pueden estallar.

- ▶ No almacenar envases con bebidas carbonatadas en el congelador.

Riesgo de lesiones en los ojos debido a la salida de líquido refrigerante inflamable y gases nocivos.

- ▶ No dañe las tuberías del circuito de refrigeración y aislamiento.

### ADVERTENCIA

El contacto con productos congelados y superficies frías puede provocar quemaduras por el frío.

- ▶ No introducir nunca en la boca directamente los alimentos congelados extraídos del congelador.
- ▶ Evitar el contacto prolongado de la piel con los alimentos congelados, el hielo y las superficies del congelador.

### PRECAUCIÓN

Para evitar la contaminación de los alimentos, se deben tener en cuenta las siguientes indicaciones.

- ▶ Si se abre la puerta durante un tiempo prolongado, se puede producir un aumento considerable de la temperatura en los compartimientos del aparato.
- ▶ Limpiar regularmente las superficies que puedan entrar en contacto con alimentos y sistemas de drenado accesibles.
- ▶ Si el refrigerador/congelador está vacío durante mucho tiempo, apagar, descongelar, limpiar y dejar la puerta abierta para evitar la creación de moho.

## 1.8 Aparato dañado

### ADVERTENCIA

Para evitar el riesgo de lesiones por un aparato o cable de alimentación dañado, tenga en cuenta lo siguiente.

- ▶ No poner nunca en funcionamiento un aparato dañado.
- ▶ No jalar nunca el cable de conexión a la red eléctrica para desenchufar el aparato. Desenchufar siempre el cable de conexión de red de la toma de corriente.
- ▶ Si el aparato o el cable de conexión de red están dañados, desenchufar inmediatamente el cable de conexión de red o desconectar el fusible de la caja de fusibles y cerrar la llave del agua.
- ▶ Llamar al servicio de atención al cliente. → *Página 69*

Para evitar riesgos de lesiones derivadas de reparaciones inadecuadas, se recomienda seguir las siguientes indicaciones.

- ▶ Únicamente los técnicos especialistas o los proveedores de servicios autorizados deben llevar a cabo reparaciones.
- ▶ Solo se pueden utilizar repuestos originales para reparar el aparato.
- ▶ Si el cable de conexión de red de este aparato resulta dañado, éste debe ser sustituido por el fabricante, por el servicio de atención al cliente o por una persona cualificada a fin de evitar posibles situaciones de peligro.

### ADVERTENCIA

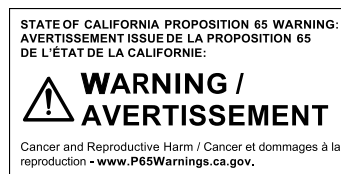


Si las tuberías están dañadas, se puede escapar refrigerante inflamable y gases nocivos, lo que puede provocar un incendio.

- ▶ Mantener las fuentes de fuego o focos de ignición alejados del aparato.
- ▶ Ventilar la estancia.
- ▶ Apagar el aparato. → *Página 58*
- ▶ Extraer el enchufe del cable de conexión de red o quitar el fusible de la caja de fusibles.
- ▶ Llamar al servicio de atención al cliente. → *Página 69*

## 1.9 Advertencias en virtud de la Proposición 65 del estado de California

Este producto puede contener un químico que el Estado de California reconoce como potencialmente cancerígeno o causante de daños reproductivos. Por tanto, su producto debe llevar en su embalaje la siguiente etiqueta de conformidad con la legislación de California:



## 2 Evitar daños materiales

### AVISO:

Al desplazar el aparato, debido a su elevado peso o la inclinación de las ruedas del aparato, el piso puede resultar dañado.

- ▶ Transportar el aparato con una carretilla para sacos.
- ▶ Proteger el piso con algo cuando se vaya a desplazar el aparato y no volverlo en zigzag.

Al subirse o apoyarse sobre pedestales, cajones o puertas, se puede dañar el aparato.

- ▶ No pisar ni apoyarse sobre el pedestal, cajones o puertas.

Para evitar daños en el aparato o daños materiales, tenga en cuenta lo siguiente.

- ▶ No conecte el aparato a la línea de agua durante las obras o si el agua está turbia o contiene partículas visibles. El incumplimiento de estas instrucciones puede provocar la entrada de materiales extraños en el aparato, lo que podría perjudicar su funcionamiento o causar fugas de agua.

Una presión de agua demasiado baja o elevada puede influir negativamente en el funcionamiento del aparato.

- ▶ Es preciso asegurarse de que la presión de agua del dispositivo de suministro de agua sea de 29 psi (200 kPa) como mínimo y de 116 psi (800 kPa) como máximo.
- ▶ Si la presión del agua excede el valor máximo indicado, se debe instalar una válvula de reducción de presión entre la toma de agua y el juego de mangueras del aparato.

Las mangueras de agua modificadas o dañadas pueden causar daños a la propiedad o al aparato.

- ▶ No doblar, aplastar, modificar ni cortar las mangueras de agua.
- ▶ No reutilizar nunca las mangueras de agua ya usadas.
- ▶ No jalar nunca la manguera de agua de la parte trasera del aparato.

La suciedad con aceite o grasa puede crear poros en las piezas de plástico y las juntas de las puertas.

- ▶ Mantener las piezas de plástico y juntas de goma limpias de aceites y grasas.

Si se lavan los elementos y accesorios del aparato en el lavavajillas, estos podrían deformarse o decolorarse.

- ▶ No lavar nunca los elementos y accesorios del aparato en el lavavajillas.

## 3 Protección del medio ambiente y ahorro

### 3.1 Consejos para la eliminación del embalaje

Todos los materiales del embalaje son ecológicos y reciclables.

- ▶ Desechar los diferentes materiales separados según su naturaleza.

### 3.2 Ahorrar energía

Si tiene en cuenta estas indicaciones, su aparato consumirá menos corriente.

#### Selección del lugar de colocación

- Proteger el aparato de la radiación solar directa.
- Instalar el aparato con la mayor distancia posible respecto a radiadores, hornos y otras fuentes de calor:
  - Mantener una distancia de 1<sup>1</sup>/<sub>4</sub>" (30 mm) respecto a estufas de gas o eléctricas.
  - Mantener una distancia de 11<sup>13</sup>/<sub>16</sub>" (300 mm) respecto a hornos de carbón o aceite.
- No cubrir ni obstruir nunca las aberturas de ventilación exteriores.

#### Ahorro de energía durante el funcionamiento

**Nota:** La disposición de las piezas de equipo no influye en el consumo de energía de aparato.

- Abrir brevemente el aparato y cerrarlo correctamente.
- No cubrir ni bloquear nunca las aberturas de ventilación interiores ni las aberturas de ventilación exteriores.
- Transportar los alimentos en una bolsa isotérmica y colocarlos inmediatamente en el congelador.
- Dejar enfriar los alimentos o bebidas calientes hasta la temperatura ambiente antes de almacenarlos.
- Dejar siempre un poco de espacio entre los alimentos y el panel posterior.

#### Modo de ahorro energético del panel de control

Si el aparato no se utiliza, el panel de control pasa automáticamente al modo de ahorro energético.

En el modo de ahorro energético del panel de control, la opción de dispensador de hielo y agua es visible con brillo reducido.

**Nota:** Cuando Congelación rápida está activada, se ilumina \*.

Tan pronto como se utilice el panel de control, se presione el interruptor de extracción o se abra la puerta, se desactivará el modo de ahorro energético del panel de control.

## 4 Instalación y conexión

### 4.1 Material entregado

Después de desembalar el aparato, verificar que ninguna pieza haya sufrido daños durante el transporte y que el volumen de suministro esté completo.

Si tiene alguna queja deberá dirigirse al distribuidor en donde adquirió su electrodoméstico o a nuestro servicio de atención al cliente → *Página 69*.

El alcance de la entrega consta de:

- Equipamiento y accesorios<sup>1</sup>
- Material para instalación
- Instrucciones de instalación
- Manual de instrucciones
- Declaración de garantía limitada del producto
- Documento de la garantía<sup>2</sup>
- Etiqueta energética
- Informaciones sobre el consumo de energía y los ruidos del aparato
- Información acerca de Home Connect®

### 4.2 Requisitos para seleccionar el lugar de colocación

#### ADVERTENCIA

Si el aparato se encuentra en un espacio demasiado pequeño, puede generarse una mezcla inflamable de aire y gas en caso de una fuga del circuito de enfriamiento.

- ▶ Colocar el aparato en espacios que tengan un volumen mínimo de 35 pies cúbicos (1 m<sup>3</sup>) por 0.3 oz (8 g) de líquido refrigerante. La cantidad de refrigerante se indica en la placa de características. → *"Aparato", Fig. 1/7, Página 55*

El peso de fábrica del aparato puede alcanzar, en función del modelo concreto, hasta las 410 lb (185 kg).

Para soportar el peso del dispositivo, la superficie debe ser lo suficientemente estable.

### 4.3 Instalación del aparato

- ▶ Instalar el aparato siguiendo las instrucciones de instalación adjuntas.

### 4.4 Preparar el aparato para el primer uso

1. Retirar el material informativo.
2. Retirar las láminas protectoras y los seguros de transporte, p. ej., la cinta adhesiva y la caja.
3. Efectuar una primera limpieza del aparato.  
→ *Página 64*

### 4.5 Conectar el aparato a la toma de agua

#### Requisitos

- Se debe instalar una válvula de cierre en la conexión a la toma de agua y se debe poder acceder libremente a ella una vez instalado el aparato.
  - Se debe comprobar la conexión a la toma de agua, y que el agua es de calidad.
  - La manguera de desagüe tiene una junta anular.
1. Extraer agua de la toma de agua de la instalación doméstica hasta que no salgan sedimentos ni esté turbia.  
Instalar un sistema de filtro de agua exterior en caso de que haya sedimentos persistentes o el agua siga enturbada.
  2. Instalar la manguera de desagüe en el aparato según las instrucciones de montaje adjuntas.

### 4.6 Conectar el aparato a la red eléctrica

1. El enchufe del cable de conexión de red del aparato debe conectarse a una toma de corriente con conexión a tierra cercana al aparato.  
Los datos de conexión del aparato se encuentran en la placa de características. → *"Aparato", Fig. 1/7, Página 55*
2. Comprobar el asiento firme del enchufe.
  - ✓ El panel de control muestra una animación y se bloquea.
  - ✓ Cuando finaliza la animación, el aparato está listo para funcionar y se encienden las indicaciones de temperatura.

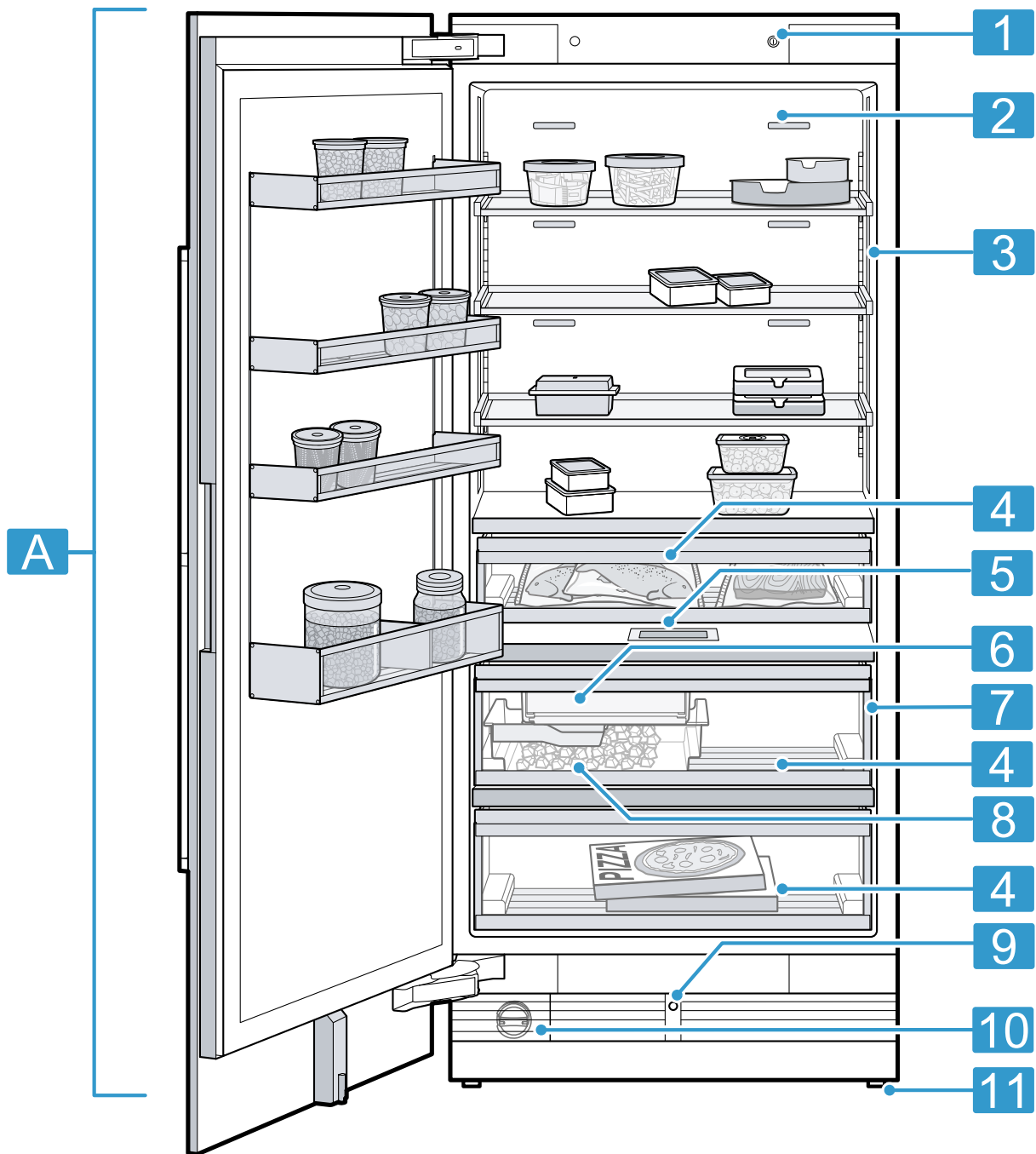
<sup>1</sup> Según el equipamiento del aparato

<sup>2</sup> No disponible en todos los países

## 5 Familiarizándose con el aparato

### 5.1 Aparato

Aquí encontrará una vista general de los componentes de su aparato.



**1**

Es posible que las ilustraciones muestren detalles y características de equipamiento y tamaño que no concuerdan con las de su aparato concreto.

**A** Congelador → *Página 61*

**1** Interruptor principal

**2** Aberturas de ventilación interiores (congelador)

**3** Iluminación

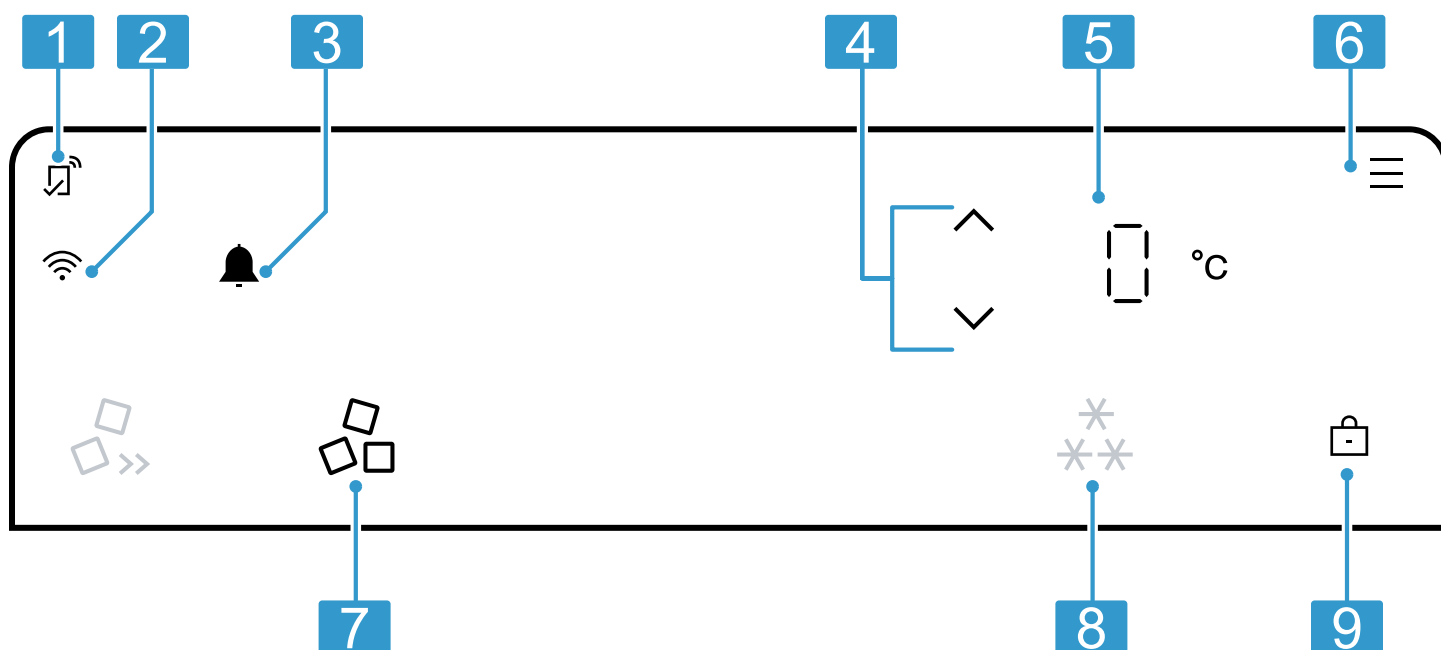
**4** Cajón deslizante para productos congelados  
→ *Página 57*

- 5** Panel de control → *Página 55*
- 6** Fabricador de cubitos de hielo → *Página 63*
- 7** Placa de características → *Página 69*
- 8** Depósito para cubitos de hielo → *Página 57*

- 9** Dispositivo auxiliar para apertura de la puerta → *Página 59*
- 10** Filtro de agua → *Página 62*
- 11** Pata atornillada

## 5.2 Panel de control

A través del panel de control se ajustan todas las funciones de su aparato y se obtiene información sobre el estado de funcionamiento.



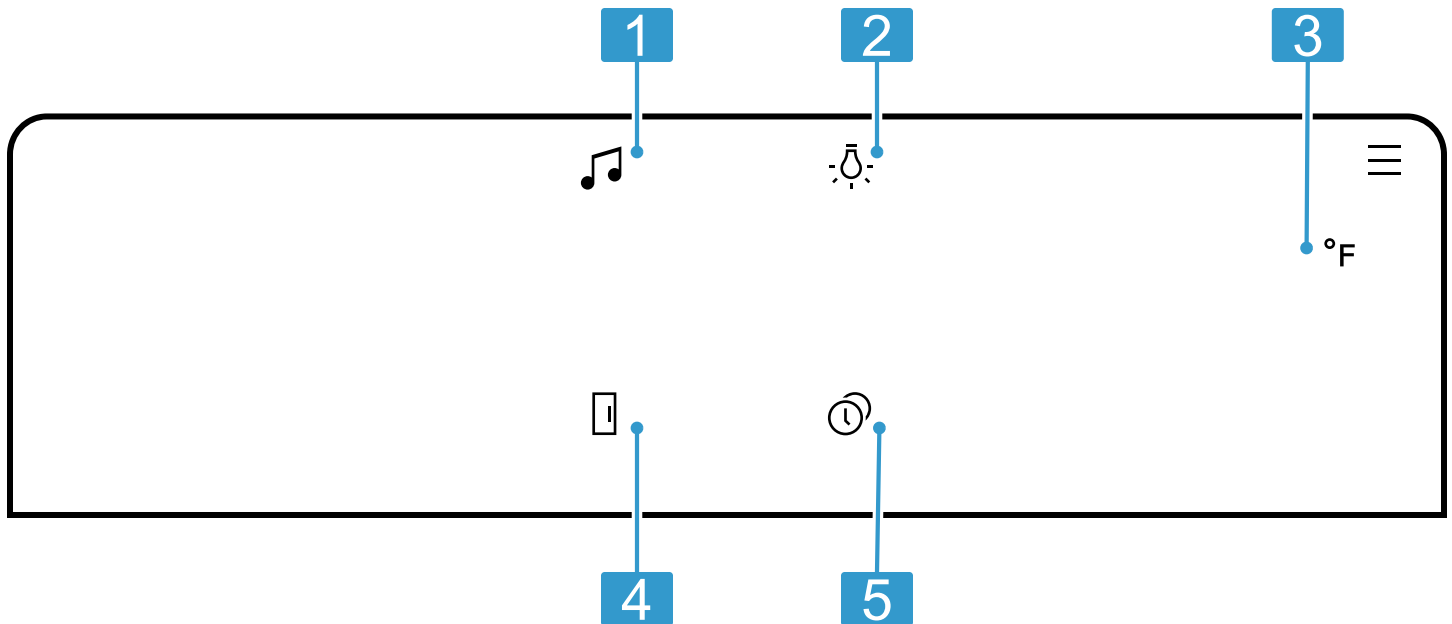
**2**

- 1** se ilumina cuando se establecen los ajustes definidos por el usuario mediante la aplicación Home Connect®. Para más información, consultar la aplicación Home Connect®.
- 2** activa o desactiva la conexión con la red doméstica WLAN (Wi-Fi).
- 3** desactiva la señal acústica.
- 4** (congelador) permiten ajustar la temperatura del congelador.

- 5** Muestra la temperatura del compartimento de congelación ajustada en °F o °C.
- 6** abre y cierra el menú.
- 7** activa o desactiva la producción de cubitos de hielo.
- 8** activa o desactiva Congelación rápida.
- 9** activa o desactiva el bloqueo de teclas del panel de control.

### 5.3 Panel de control (submenú)

Es posible realizar más ajustes en el submenú.



- 3**
- 1** 🎵 abre el menú de ajustes del tono de aviso.
  - 2** 💡 abre el menú para ajustar la iluminación.
  - 3** °C/°F abre el menú de modificación de la unidad de temperatura.
  - 4** 🔒 abre el menú para ajustar el dispositivo auxiliar para apertura de la puerta.
  - 5** 🕒 abre el menú de los ajustes del modo Sabbat.

## 6 Equipamiento

El equipamiento del aparato depende del modelo.

### 6.1 Bandeja

**AVISO:**

Los ganchos de la bandeja pueden rayar el panel posterior del compartimiento de refrigeración si se enganchan inclinados.

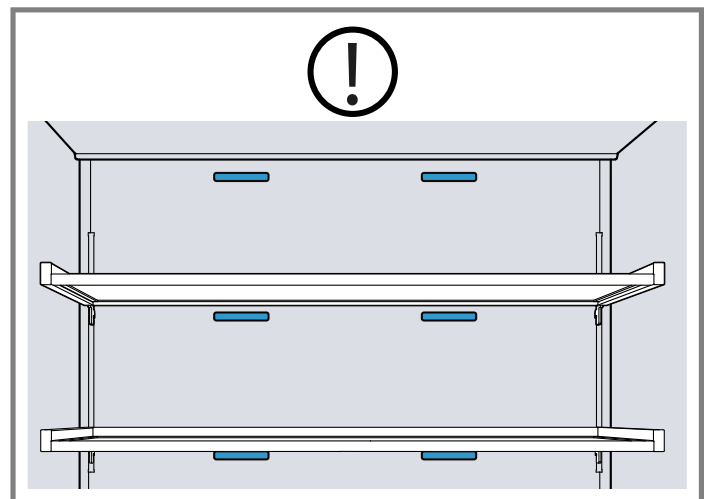
- ▶ Asegurarse de que la bandeja esté en posición horizontal y de que los ganchos estén totalmente enganchados.

Si se desea modificar la posición de las bandejas según sea necesario, es posible retirarlas y volver a colocarlas en otro lugar.

→ "Retirar las bandejas", Página 64

**Nota**

No cubrir las aberturas de ventilación interiores para no perjudicar la circulación del aire.



## 6.2 Cajón deslizable de productos congelados

Para obtener una mejor vista general y para retirar productos congelados más rápidamente, se puede extraer el cajón deslizable de productos congelados.

## 6.3 Estantes de la puerta para botellas

Los estantes para botellas pueden retirarse y recolocarse en otro lugar para modificar su posición según sea necesario.

→ "Retirar el botellero de puerta", *Página 65*

## 6.4 Depósito para cubitos de hielo

Cuando la producción de cubitos de hielo está activada, se guardan cubitos de hielo automáticamente en el depósito para cubitos.

### AVISO:

El dispositivo fabricante de cubitos de hielo puede resultar dañado o bloqueado si se introducen alimentos u objetos en el depósito para cubitos.

- ▶ No colocar nunca alimentos ni objetos en el depósito para cubitos.

**Nota:** Para evitar llenar demasiado el depósito para cubitos de hielo, no distribuir los cubitos de hielo en el depósito para cubitos de hielo con la mano.

**Consejo** Para evitar que los cubitos de hielo se caigan por la parte posterior del depósito para cubitos de hielo al extraerlos, abrir siempre el cajón deslizable para productos congelados por completo.

## 6.5 Accesorios

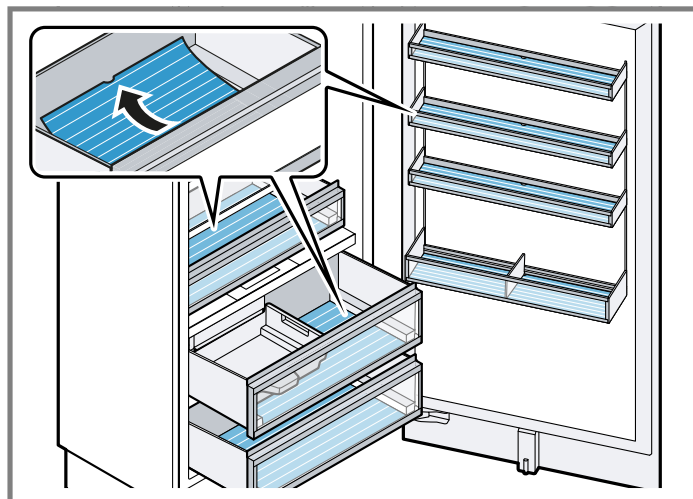
Utilizar accesorios originales. Están diseñados para su aparato.

Los accesorios del aparato dependen del modelo.

### Alfombrilla antideslizante

La alfombrilla antideslizante evita que las botellas y los alimentos se muevan.

En función de la cantidad y el tipo de alimento guardado, puede formarse agua de condensación en la alfombrilla antideslizante. En caso necesario, retirar la alfombrilla antideslizante y eliminar el agua de condensación con un paño seco.

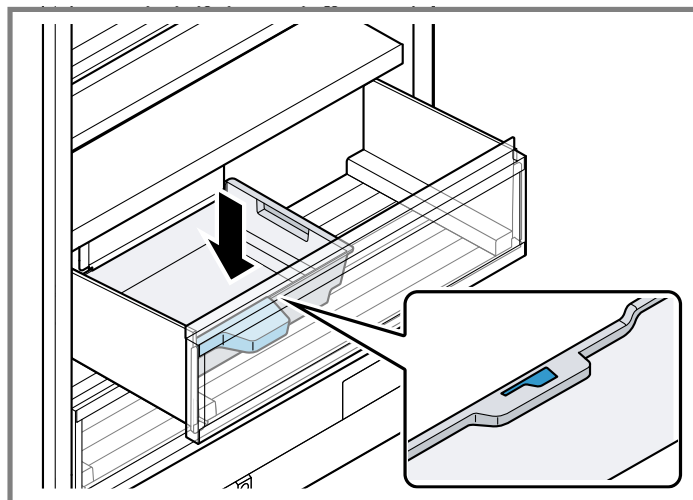


### Pala para hielo

La pala para hielo permite retirar una porción de cubitos de hielo.

### Consejo



Colocar la cuchara para hielo en la parte delantera del depósito para cubitos.



## 7 Manejo básico

### 7.1 Encender el aparato

1. Encender el aparato con el interruptor principal.  
→ "Aparato", Fig. 1/1, *Página 54*
  - ✓ El panel de control muestra una animación y se bloquea.
  - ✓ Cuando finaliza la animación, el aparato está listo para funcionar y se encienden las indicaciones de temperatura.
  - ✓ El aparato comienza a enfriar.

2. Desactivar la señal acústica con .
  - ✓  se apaga tan pronto como se ha alcanzado la temperatura ajustada.
3. Ajustar la temperatura deseada. → *Página 58*

## 7.2 Advertencias relativas al funcionamiento del aparato



- Una vez encendido el aparato, transcurren varias horas hasta que se alcanza la temperatura ajustada. No introducir alimentos en el aparato antes de alcanzar la temperatura ajustada.
- Al cerrar la puerta, asegurarse de que no esté bloqueada por objetos almacenados.
- Cuando se cierra la puerta, puede generarse presión negativa. La puerta se vuelve a abrir con dificultad. Esperar un momento hasta que la presión se estabilice.
- La temperatura del aparato varía debido a las siguientes condiciones:
  - Frecuencia con la que se abre el aparato
  - Cantidad de carga
  - Temperatura de los alimentos frescos almacenados
  - Temperatura del entorno
  - Radiación solar directa

## 7.3 Apagar el aparato

- ▶ Apagar el aparato con el interruptor principal.  
→ "Aparato", Fig.  , *Página 54*



## 7.4 Ajustar la unidad de temperatura

Es posible elegir entre °F y °C como unidades de temperatura.

1. Presionar .
2. Pulsar °C/°F.
3. Presionar .

## 7.5 Ajustar la temperatura

### Ajustar la temperatura del compartimiento congelador

- ▶ Presionar / (congelador) repetidas veces hasta que la indicación de temperatura (congelador) muestre el ajuste de temperatura deseado.

La temperatura recomendada del congelador es de 0 °F (–18 °C).



## 7.6 Bloqueo de teclas

El bloqueo de las teclas evita que el aparato se maneje de forma involuntaria o incorrecta durante el funcionamiento.

### Activar el bloqueo de las teclas

- ▶ Mantener pulsado  durante 2 segundos.
- ✓  se ilumina.

### Desactivar el bloqueo de las teclas

- ▶ Mantener pulsado  durante 2 segundos.
- ✓  se apaga.

## 8 Funciones adicionales

Comprobar qué funciones adicionales ajustables ofrece el aparato. Con la aplicación Home Connect® se pueden ajustar otras funciones adicionales.

### 8.1 Función Congelación rápida automática

Con la función Congelación rápida automática, el congelador enfría considerablemente más que en el modo de funcionamiento normal. Por eso, los alimentos se congelan más rápido.


El Congelación rápida automático se activa cuando se introduce una determinada cantidad de alimentos frescos en el aparato.

La función Congelación rápida automática está activada de fábrica. Se puede desactivar la Congelación rápida automática.


Si la función Congelación rápida automática está activada, pueden producirse más ruidos.

Una vez finalizada la función Congelación rápida automática, el aparato vuelve automáticamente al modo de funcionamiento normal.

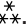
### Activar la función Congelación rápida automática

- ▶ Mantener presionado  durante 3 segundos hasta que suene una señal acústica.
- ✓ Si suenan dos señales acústicas, la función Congelación rápida automática está activada.

### Desactivar la función Congelación rápida automática

- ▶ Mantener presionado  durante 3 segundos hasta que suene una señal acústica.
- ✓ Cuando suenan tres señales acústicas, la opción Congelación rápida automática está desactivada.

### Cancelar la función Congelación rápida automática

- ▶ Presionar .
- ✓ Se muestra la temperatura ajustada anteriormente.

### 8.2 Congelación rápida manual

Con la función Congelación rápida, el congelador enfría a la temperatura más baja posible.

Activar Congelación rápida entre cuatro y seis horas antes de almacenar una cantidad de alimentos de 4.4 lb (2 kg) o superior en el congelador.

**Nota:** Estando activada la función Congelación rápida, el nivel sonoro del aparato puede aumentar.

### Activar la función Congelación rápida manualmente

- ▶ Presionar **\*\***.
- ✓ Se enciende **\***.

**Nota:** La función se desactiva automáticamente pasadas unas 8 horas y el aparato vuelve al funcionamiento normal.

### Desactivar la función Congelación rápida manualmente

- ▶ Presionar **\*\***.
- ✓ Se muestra la temperatura ajustada anteriormente.

## 8.3 Dispositivo auxiliar para apertura de la puerta

El dispositivo auxiliar para apertura ayuda a abrir la puerta.

### Abrir la puerta usando el dispositivo auxiliar para apertura de la puerta

#### AVISO:

Si la puerta se cierra antes de tiempo repetidamente, es posible que esto provoque desgastes o averías en el dispositivo auxiliar para apertura de la puerta. No cerrar nunca la puerta mientras el dispositivo auxiliar automático para apertura de la puerta esté extraído.

- ▶ Si de todas formas se cierra la puerta, dejarla 5 minutos cerrada. El dispositivo auxiliar para apertura de la puerta se reajusta.

1. Presionar la parte central de la puerta.
- ✓ El dispositivo auxiliar para apertura de la puerta se extrae y la puerta se abre ligeramente.
2. Abrir la puerta de forma manual.

Si en 3 segundos no se desea mantener la puerta abierta, el dispositivo auxiliar para apertura de la puerta se enciende de nuevo y la puerta se cierra.

### Desactivar el dispositivo auxiliar para apertura de la puerta

1. Presionar **≡**.
2. Pulsar **□**.
3. Presionar **∨/∧** hasta que se encienda "OFF".
4. Presionar **≡**.

### Activar el dispositivo auxiliar para apertura de la puerta

1. Presionar **≡**.
2. Pulsar **□**.
3. Presionar **∨/∧** varias veces hasta que se encienda "ON".
4. Presionar **≡**.

## 8.4 Iluminación interior

Es posible ajustar el brillo de la iluminación interior.

1	brillo mínimo
6	brillo máximo
A	Iluminación interior automática
d	Iluminación interior oscura
5	Iluminación interior estándar
b	Iluminación interior blanca

### Ajustar la iluminación interior

1. Presionar **≡**.
2. Presionar **:⊙:**.
3. Presionar **∨/∧** hasta que el indicador de ajustes del submenú muestre el ajuste deseado.
4. Presionar **≡**.

## 8.5 Modo Sabbat

Con el modo Sabbat, se desconectan todas las funciones que no son necesarias para el uso del aparato durante el Sabbat.

Durante el modo Sabbat, las siguientes funciones permanecen desconectadas:

- Función Congelación rápida automática y función Congelación rápida manual
- Alarma
- Producción de cubitos de hielo
- Iluminación interior
- Señales acústicas
- Mensajes en el panel de control

**Nota:** Durante el modo Sabbat, se activa la iluminación del panel de control. **⊙** se ilumina con un brillo reducido.

### Activar el modo Sabbat

1. Presionar **≡**.
2. Pulsar **⊙**.
3. Presionar **∨/∧** varias veces hasta que se encienda "ON".
4. Presionar **≡**.

**Nota:** Después de aproximadamente 74 horas, el aparato vuelve a funcionamiento normal.

### Apagar el modo Sabbat

- ▶ Mantener presionado **⊙** hasta que suene una señal.
- ✓ **⊙** se apaga.



## 8.6 Notificación de cambio de filtro

La notificación de cambio de filtro se activa cada seis meses.

**⊙** parpadea.

**Nota:** Si aumenta el consumo de agua, la notificación de cambio de filtro se activa antes.

## Desactivar la notificación de cambio de filtro

1. Sustituir el filtro de agua.  
La tapa con bypass no debe sustituirse.
  2. Presionar .
- ✓  se apaga.
  - ✓ El estado de cambio del filtro se ha restablecido.

## 8.7 Ajustes de fábrica


En caso de averías, es posible restablecer los ajustes de fábrica del aparato.

### Restablecer los ajustes de fábrica en el aparato


- ▶ Mantener presionado **\*\*** de 4 a 7 segundos hasta que se escuche una señal acústica.
- ✓ "OO" se ilumina durante el proceso.
- ✓ Tras el restablecimiento, el aparato vuelve al funcionamiento normal.

## 9 Alarma


### 9.1 Alarma de la puerta

Si la puerta permanece abierta durante más tiempo, la alarma de la puerta se activa.  
Suena una señal acústica y parpadean  y la temperatura ajustada del compartimiento afectado.

#### Apagar la alarma de la puerta

- ▶ Cerrar la puerta del aparato o presionar .
- ✓ La señal acústica se apaga.

### 9.2 Alarma de temperatura

La alarma de temperatura se activa si la temperatura es demasiado alta.  
Suena una señal acústica y parpadean  y la temperatura ajustada del compartimiento afectado.

#### PRECAUCIÓN

Las bacterias pueden multiplicarse durante el proceso de descongelación de los alimentos y estos pueden deteriorarse.


- ▶ No volver a congelar los alimentos que se hayan descongelado o empezado a descongelar.
- ▶ Solo después de cocinarlos o freírlos, se podrán volver a congelar.
- ▶ El período máximo de almacenamiento ya no se podrá usar.

La alarma de temperatura puede activarse en los casos siguientes:

- El aparato se pone en funcionamiento.  
No guardar los alimentos hasta que se haya alcanzado la temperatura establecida.

- Se han colocado grandes cantidades de alimentos frescos en el interior.  
Antes de almacenar grandes cantidades de alimentos frescos, activar Congelación rápida.
- Al tener abierta durante mucho tiempo la puerta del congelador.  
Comprobar que los alimentos se hayan congelado o descongelado por completo.

### Apagar la alarma de temperatura

- ▶ Presionar .
- ✓ La señal acústica se apaga.
- ✓ A partir de este momento se vuelve a determinar la temperatura más elevada, que queda almacenada.

## 10 Home Connect®

Este aparato es apto para la conexión en red. Conecte su aparato con un dispositivo móvil para manejar las funciones a través de la aplicación Home Connect®. Los servicios Home Connect® no están disponibles en todos los países. La disponibilidad de la función Home Connect® depende de la disponibilidad de los servicios Home Connect® en su país. Para obtener más información, consulte: [www.home-connect.com](http://www.home-connect.com). Para poder utilizar Home Connect® establezca primero la conexión con la red doméstica WLAN (Wi-Fi<sup>1</sup>) y con la aplicación Home Connect®. Después de encender el aparato esperar al menos 3 minutos hasta que concluya la inicialización interna del mismo. Realizar entonces la configuración de Home Connect®.

La aplicación Home Connect® le guiará durante el proceso de registro. Siga las instrucciones y tenga en cuenta las indicaciones de la aplicación Home Connect®.

#### Notas

- Debe tener en cuenta las indicaciones de seguridad de este manual de instrucciones y garantizar el cumplimiento de las mismas cuando opere el aparato a través de la aplicación Home Connect®.  
→ "Seguridad", Página 49
- En todo caso, tiene prioridad el manejo desde el propio electrodoméstico. Durante ese tiempo, el manejo del aparato no es posible a través de la aplicación Home Connect®.

### 10.1 Configurar Home Connect®

**Requisito:** En el lugar en que se encuentra, el aparato recibe cobertura de la red doméstica WLAN (Wi-Fi).

<sup>1</sup> Wi-Fi es una marca registrada de Wi-Fi Alliance.

1. Escanear el siguiente código QR.



Con el código QR, puede instalarse la aplicación Home Connect® y conectar el aparato.

2. Seguir las instrucciones de la aplicación Home Connect®.

## 10.2 Activar la conexión con la red doméstica WLAN (Wi-Fi)

- ▶ Pulsar .

## 10.3 Desactivar la conexión con la red doméstica WLAN (Wi-Fi)

- ▶ Pulsar .

## 10.4 Instalar la actualización de software de Home Connect®


**Nota:** Si hay disponible una actualización del software Home Connect®, aparece un mensaje en la aplicación Home Connect®.

La versión actual del software se encuentra en la aplicación Home Connect®, en la información del aparato correspondiente.

- ▶ Para instalar la actualización del software Home Connect®, seguir las instrucciones de la aplicación Home Connect®.
- ✓ Durante la instalación, el panel de control está bloqueado parcialmente.

## 10.5 Restablecer los ajustes de Home Connect®

Si el aparato presenta problemas de conexión con la red inalámbrica doméstica WLAN (Wi-Fi) o si se desea conectarlo a otra red, es posible restablecer los ajustes de Home Connect®.

- ▶ Mantener presionado  durante 7 hasta 10 segundos hasta que suene una tercera señal acústica.
- ✓ Se han restablecido los ajustes de Home Connect®.

## 10.6 Diagnóstico Remoto

El servicio al cliente puede acceder a su aparato a través de Diagnóstico Remoto si usted lo solicita, siempre que su aparato esté conectado al servidor Home Connect® y Diagnóstico Remoto esté disponible para su aparato y país. Para obtener más información sobre la disponibilidad de Diagnóstico Remoto en su país, visite la sección Servicio/Soporte de su sitio web local: [www.home-connect.com](http://www.home-connect.com).

Tenga en cuenta que, aunque el Diagnóstico Remoto puede ayudar a solucionar determinados problemas, puede haber casos en los que sea necesaria una visita de servicio in situ si el problema no puede resolverse de forma remota.

## 10.7 Protección de datos

Tenga en cuenta las indicaciones relativas a la protección de datos.

Al conectar por primera vez su aparato a una red doméstica asociada a Internet, el aparato transmite las siguientes categorías de datos al servidor de Home Connect® (registro inicial):

- Identificación clara del aparato (compuesta por la clave del aparato y la dirección MAC del módulo de comunicación Wi-Fi utilizado).
- Certificado de seguridad del módulo de comunicación Wi-Fi (para la protección técnica de la información de la conexión).
- Las versiones actuales del software y del hardware del electrodoméstico.
- El estado de un posible restablecimiento previo a los ajustes de fábrica.

El registro inicial prepara la utilización de las funciones Home Connect® y solo es necesario la primera vez que se vayan a utilizar dichas funciones Home Connect®.

**Nota:** Se debe tener en cuenta que las funciones Home Connect® solo se pueden utilizar en conexión con la aplicación Home Connect®. Se puede consultar la información relativa a la protección de datos en la aplicación Home Connect®.

## 11 Congelador


En el congelador, es posible guardar productos ultracongelados, congelar alimentos y preparar cubitos de hielo.

La temperatura puede ajustarse de 6 °F (-14 °C) a -6 °F (-21 °C).

El almacenamiento de alimentos durante largos periodos de tiempo deberá efectuarse a una temperatura de 0 °F (-18 °C) o inferior.

Para proteger la comida de las quemaduras por congelación, se puede ajustar una temperatura permanente de -11 °F (-24 °C).

Para proteger la comida rica en grasa como pescado y carne de la oxidación, se puede ajustar una temperatura permanente a -11 °F (-24 °C).

A partir de una temperatura del congelador de  $-11\text{ }^{\circ}\text{F}$  ( $-24\text{ }^{\circ}\text{C}$ ), se enciende .

Los alimentos perecederos pueden almacenarse congelados durante mucho tiempo. Las bajas temperaturas ralentizan o detienen su deterioro.

### 11.1 Consejos para colocar los alimentos en el congelador

- Almacenar los alimentos en envases herméticos.
- Los alimentos congelados no deben entrar en contacto con los alimentos frescos que se desean congelar.
- Distribuir los alimentos ampliamente en los recipientes para productos congelados.

### 11.2 Consejos para congelar alimentos frescos

- Congelar solo alimentos frescos y en perfectas condiciones.
- Congelar alimentos en porciones.
- Los alimentos preparados son más adecuados que los alimentos crudos.
- Lavar, trocear y escaldar la verdura antes de congelarla.
- Lavar la fruta, retirar los huesos, y si así se desea, pelarla antes de congelarla; dado el caso, se le puede añadir azúcar o una solución de ácido ascórbico.
- Algunos alimentos apropiados para congelar son el pan y la bollería, el pescado, el marisco, la carne, la caza, las aves, los huevos sin cáscara, el queso, la mantequilla, el requesón, los platos precocinados y los restos de comida.
- Algunos alimentos no apropiados para congelar son las lechugas, los rabanitos, los huevos con cáscara, las uvas, las manzanas o peras crudas, los yogures, la nata agria o fresca y la mayonesa.

### Envasado de los productos congelados

Utilizar el tipo y el material de embalaje adecuados permite conservar significativamente la calidad de los productos y evitar que se quemen por congelación.

1. Introducir los alimentos en el embalaje previsto para tal efecto.
2. Eliminar todo el aire que pudiera haber en el envase.
3. Envasar los alimentos herméticamente para que no se deshidraten ni pierdan su sabor.
4. Marcar los envases, indicando su contenido y la fecha de congelación.

### 11.3 Métodos de descongelación para productos congelados

#### PRECAUCIÓN

Las bacterias pueden multiplicarse durante el proceso de descongelación de los alimentos y estos pueden deteriorarse.

- ▶ No volver a congelar los alimentos que se hayan descongelado o empezado a descongelar.

- ▶ Solo después de cocinarlos o freírlos, se podrán volver a congelar.
- ▶ El período máximo de almacenamiento ya no se podrá usar.
- Descongelar en el compartimiento de refrigeración los alimentos de origen animal, como el pescado, la carne, el queso o el requesón.
- Descongelar el pan a temperatura ambiente.
- Preparar los alimentos de consumo inmediato en el microondas, en el horno o en las placas de cocción.

---

## 12 Sistema de agua

El aparato tiene componentes que conducen agua.

El sistema de agua solo funciona si hay instalado un filtro de agua o una tapa con bypass.

Desconectar la producción de cubitos de hielo antes de desconectar el aparato de la toma de agua. → *Página 64*


### 12.1 Filtro de agua

El filtro de agua filtra las partículas del agua y el sabor a cloro.

El filtro de agua reduce otros tipos de impurezas, como la cloramina, el plomo y los productos farmacéuticos.

**Nota:** El filtro de agua no filtra bacterias ni microbios del agua.

Sustituir el filtro de agua:

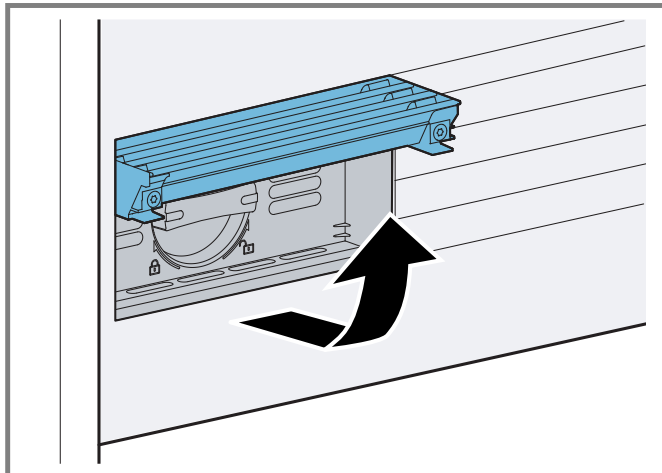
- cada 6 meses.
- si se enciende .
- si se aprecia que se agota el dispensador de agua.
- si se aprecia que se agota la producción de cubitos de hielo.

#### Recomendaciones

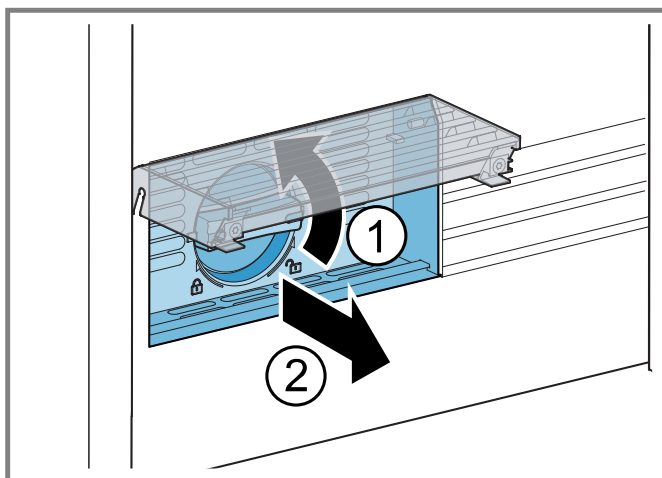
- Se puede obtener un nuevo filtro de agua a través de nuestro servicio de atención al cliente, de su distribuidor o en nuestra página web.
- Si no se desea utilizar un filtro de agua en el aparato o se tiene instalado un sistema de filtro de agua exterior, es posible reemplazar para siempre el filtro de agua por una tapa con bypass.  
La tapa con bypass solo filtra partículas gruesas del agua y puede limpiarse en caso sea necesario. Puede obtener una tapa con bypass a través de nuestro Servicio de atención al cliente o en nuestra página web.

## Sustituir el filtro de agua o reemplazarlo por una tapa con bypass

1. Abrir la tapa del filtro hacia arriba.

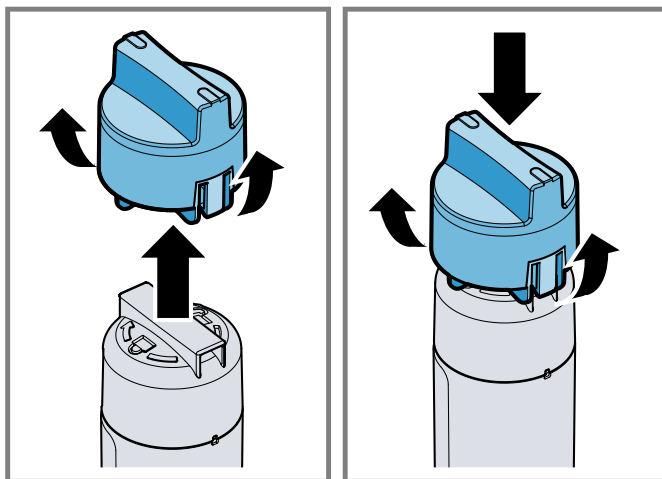


2. Girar el filtro del agua 90° en sentido antihorario ① y retirarlo ②.
  - Retirar con cuidado el filtro de agua, ya que puede estar bajo presión.



**Consejo** El filtro de agua usado se puede desechar con la basura del hogar.

3. Retirar el cabezal del filtro de agua utilizado y colocarlo en el nuevo filtro de agua o una tapa con bypass.



4. Empujar el nuevo filtro de agua o la tapa con bypass en la abertura del filtro y girarlo 90° en sentido horario hasta el tope.
5. Cerrar la tapa del filtro.
6. Desechar los cubitos de hielo que se hayan producido en las primeras 24 horas y desechar el agua que salga durante cinco minutos.

## 12.2 Notificación de cambio de filtro

La notificación de cambio de filtro se activa cada seis meses.

⊗ parpadea.

**Nota:** Si aumenta el consumo de agua, la notificación de cambio de filtro se activa antes.

### Desactivar la notificación de cambio de filtro

1. Sustituir el filtro de agua.
  - La tapa con bypass no debe sustituirse.
2. Presionar ⊗.
  - ✓ ⊗ se apaga.
  - ✓ El estado de cambio del filtro se ha restablecido.

## 12.3 Fabricador de cubitos de hielo

Utilizar el fabricante de cubitos hielo para fabricar cubitos.

### ⚠ ADVERTENCIA

Las piezas giratorias pueden causar lesiones.

- ▶ No colocar nunca las manos debajo o en el interior del fabricante de cubitos de hielo.

	Producción de cubitos de hielo
	Producción acelerada de cubitos de hielo

**Nota:** El fabricante de cubitos de hielo detecta automáticamente que el depósito para cubitos de hielo está lleno y detiene la fabricación.

El depósito de cubitos de hielo puede tardar hasta 48 horas en llenarse.

**Consejo** Si los cubitos de hielo tienen un sabor extraño, desechar los cubitos restantes y todos los que se produzcan en las siguientes 24 horas. Si, después de tomar esta medida, los cubitos siguen teniendo un sabor extraño, sustituir el filtro del agua.

### Poner en marcha el fabricante de cubitos de hielo

#### Notas

- La producción de cubitos de hielo se inicia en cuanto el aparato está encendido y el congelador alcanza la temperatura establecida.
- En cuanto el congelador haya alcanzado la temperatura establecida, se habrá finalizado la primera producción de cubitos de hielo al cabo de aproximadamente 4 horas.

**Requisito:** El aparato está conectado a la toma de agua potable.

- ▶ Por motivos de higiene, desechar los cubitos de hielo que se hayan producido en las primeras 24 horas.

### Activar la producción de cubitos de hielo

1. Presionar el panel de control.
2. Presionar .

### Desactivar la producción de cubitos de hielo

1. Presionar el panel de control.
2. Presionar .

## 13 Descongelación

### 13.1 Descongelación dentro del congelador

Gracias al sistema totalmente automático «NoFrost», no se genera escarcha en el congelador. No es necesario descongelarlo.

## 14 Limpieza y cuidados

**Nota:** La declaración de garantía limitada del producto cubre los defectos de materiales y mano de obra. La limpieza y el mantenimiento no están cubiertos por la garantía y se aplicará un recargo. Para más información, véase la declaración de garantía limitada del producto.

### 14.1 Indicación para la conservación de superficies de acero inoxidable

Para la conservación y limpieza de las superficies de acero inoxidable utilizar únicamente productos y paños de limpieza apropiados para acero inoxidable.

#### Recomendaciones

- Para evitar que se produzcan arañazos visibles, pasar el paño en dirección de la estructura de la superficie de acero inoxidable.
- Los productos y los paños de limpieza apropiados se pueden adquirir en nuestro Servicio de Atención al Cliente, en un distribuidor o en nuestra página web.

### 14.2 Preparar el aparato para su limpieza

1. Apagar el aparato. → *Página 58*
2. Desenchufar el aparato de la red eléctrica.  
Extraer el enchufe del cable de conexión de red o quitar el fusible de la caja de fusibles.
3. Retirar los alimentos y guardarlos en un lugar fresco.  
Colocar acumuladores de frío directamente sobre los alimentos, si se dispone de ellos.
4. Retirar todos los elementos adicionales y accesorios del aparato. → *Página 64*

### 14.3 Limpiar el aparato

#### ⚠ ADVERTENCIA

La penetración de humedad puede causar una descarga eléctrica.

- ▶ No utilizar limpiadores por chorro de vapor ni de alta presión para limpiar el aparato.

#### AVISO:

Los productos de limpieza inadecuados pueden dañar la superficie del aparato.

- ▶ No utilizar estropajos ni esponjas de fibra dura.
- ▶ No utilizar agentes agresivos ni abrasivos.
- ▶ No utilizar productos de limpieza con un alto contenido de alcohol.

Si se lavan los elementos y accesorios del aparato en el lavavajillas, estos podrían deformarse o decolorarse.

- ▶ No lavar nunca los elementos y accesorios del aparato en el lavavajillas.

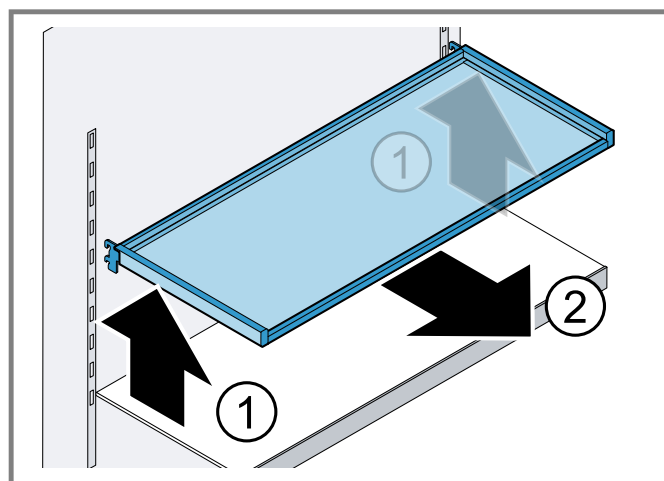
1. Preparar el aparato para su limpieza. → *Página 64*
2. Limpiar el aparato, los elementos adicionales, los accesorios y las juntas de la puerta con un trapo, agua templada y un poco de jabón de pH neutro.
3. Secar completamente con un paño suave y seco.
4. Colocar los accesorios.
5. Conectar el aparato a la red eléctrica. → *Página 53*
6. Encender el aparato. → *Página 57*
7. Introducir alimentos.

### 14.4 Retirar elementos del aparato

Si se desea limpiar a fondo los elementos del aparato, será necesario quitarlos.

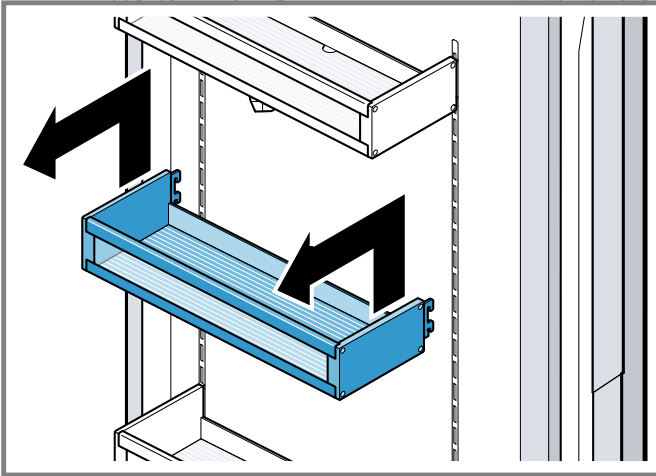
#### Retirar las bandejas

- ▶ Levantar ① la bandeja y extraerla ②.

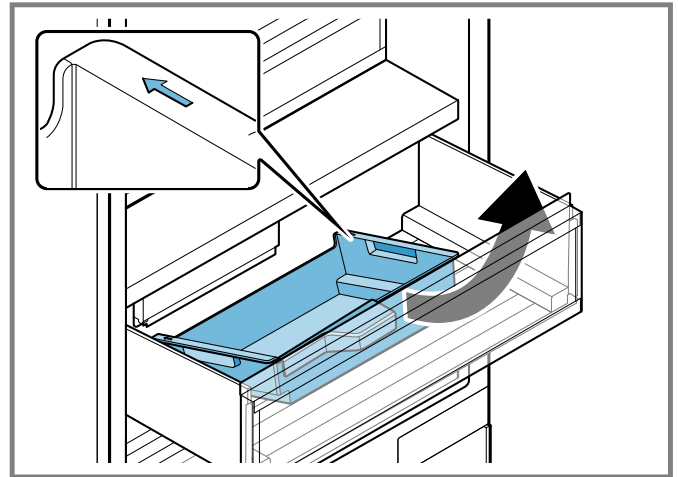


### Retirar el botellero de puerta

- ▶ Levantar y extraer el botellero.

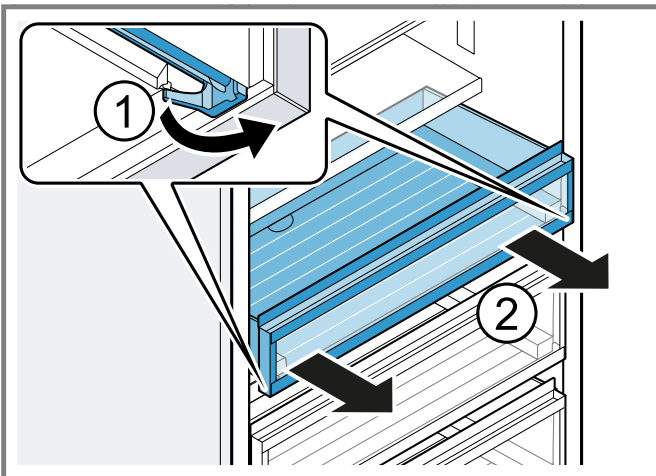


2. Levantar el depósito para cubitos de hielo por delante y extraerlo.



### Retirar el cajón deslizable de productos congelados

1. Extraer hasta el tope el cajón deslizable de productos congelados.
2. Debajo del cajón deslizable de productos congelados, presionar el seguro de los rieles de extracción en ambos lados desde adentro hacia afuera ① y extraer el cajón deslizable de productos congelados ②.



### Extraer el depósito para cubitos de hielo

1. Extraer hasta el tope el cajón deslizable de productos congelados.

## 15 Solucionar pequeñas averías

Usted mismo puede solucionar los errores menores de su aparato. Lea la información acerca de cómo solucionar los errores antes de contactar con Atención al Cliente. Así podrá evitar costos de reparación innecesarios.

### ADVERTENCIA

Para evitar riesgos de lesiones derivadas de reparaciones inadecuadas, se recomienda seguir las siguientes indicaciones.

- ▶ Únicamente los técnicos especialistas o los proveedores de servicios autorizados deben llevar a cabo reparaciones.

- ▶ Solo se pueden utilizar repuestos originales para reparar el aparato.
- ▶ Si el cable de conexión de red de este aparato resulta dañado, éste debe ser sustituido por el fabricante, por el servicio de atención al cliente o por una persona cualificada a fin de evitar posibles situaciones de peligro.

Falla	Causas y resolución de problemas
El aparato no enfría; los paneles indicadores y la iluminación interior se iluminan.	<p>El modo de exposición está activado.</p> <ol style="list-style-type: none"> <li>1. Desconectar el aparato de la red eléctrica. Extraer el enchufe del cable de conexión de red o desconectar el fusible de la caja de fusibles.</li> <li>2. Volver a conectar el aparato tras cinco minutos.</li> <li>3. Mantener presionado <b>**</b> hasta que suenen 4 señales acústicas.</li> <li>4. Al cabo de un breve período de tiempo, cerciorarse de que el aparato enfría.</li> </ol>
La iluminación LED no funciona.	<p>Son posibles diferentes causas.</p> <ul style="list-style-type: none"> <li>▶ Ponerse en contacto con el Servicio de atención al cliente. → "Servicio de atención al cliente", <i>Página 69</i></li> </ul>
La frecuencia y duración de la conexión del compresor aumenta.	<p>El aparato se ha abierto con frecuencia.</p> <ul style="list-style-type: none"> <li>▶ No se debe abrir la puerta del aparato innecesariamente.</li> </ul> <p>Las aberturas de ventilación exteriores están cubiertas.</p> <ul style="list-style-type: none"> <li>▶ Se debe eliminar la causa de la obstrucción de las aberturas de ventilación exteriores.</li> </ul> <p>No se trata de un error. Las máquinas de refrigeración modernas se encienden con más frecuencia y tienen distintos niveles de potencia para refrigerar con más eficacia.</p> <ul style="list-style-type: none"> <li>▶ Se debe eliminar la causa de la obstrucción de las aberturas de ventilación exteriores.</li> <li>▶ Colocar el aparato con la mayor distancia posible respecto a resistencias, hornos y otras fuentes de calor. Evitar la exposición prolongada del aparato a la radiación solar directa.</li> <li>▶ No mantener abierta la puerta del aparato más de lo necesario.</li> <li>▶ Dejar enfriar los alimentos y bebidas calientes antes de guardarlos.</li> </ul>
Home Connect® no funciona correctamente.	<p>Son posibles diferentes causas.</p> <ul style="list-style-type: none"> <li>▶ Acceder a <a href="http://www.home-connect.com">www.home-connect.com</a>.</li> </ul>
En la indicación de temperatura se muestra "E" o "d".	<p>El sistema electrónico ha detectado una falla.</p> <ol style="list-style-type: none"> <li>1. Apagar el aparato. → <i>Página 58</i></li> <li>2. Desconectar el aparato de la red eléctrica. Extraer el enchufe del cable de conexión de red o desconectar el fusible de la caja de fusibles.</li> <li>3. Volver a conectar el aparato tras cinco minutos.</li> <li>4. Si la indicación vuelve a aparecer, avisar al Servicio de Atención al Cliente. → "Servicio de atención al cliente", <i>Página 69</i></li> </ol>

Falla	Causas y resolución de problemas
<p>Suena una señal acústica y 🔔 parpadea.</p> <p>La alarma de la puerta está activada.</p>	<p>La puerta del aparato está abierta.</p> <ul style="list-style-type: none"> <li>▶ Cerrar la puerta del aparato.</li> </ul>
<p>Suena la señal acústica, parpadean el indicador de temperatura (congelador) y 🔔.</p> <p>La alarma de temperatura está activada.</p>	<p>Son posibles diferentes causas.</p> <ol style="list-style-type: none"> <li>1. Presionar 🔔.</li> <li>✓ La alarma se desactiva.</li> <li>2. Comprobar tras unas horas que el congelador ha vuelto a alcanzar la temperatura establecida.</li> </ol> <hr/> <p>Las aberturas de ventilación exteriores están cubiertas.</p> <ul style="list-style-type: none"> <li>▶ Se debe eliminar la causa de la obstrucción de las aberturas de ventilación exteriores.</li> </ul> <hr/> <p>Se han introducido grandes cantidades de alimentos frescos en el interior.</p> <ul style="list-style-type: none"> <li>▶ Activar Congelación rápida antes de introducir una cantidad de alimentos grande.</li> <li>→ "Activar la función Congelación rápida manualmente", <i>Página 59</i></li> </ul>
<p>La temperatura difiere considerablemente del valor seleccionado.</p>	<p>Son posibles diferentes causas.</p> <ol style="list-style-type: none"> <li>1. Apagar el aparato. → <i>Página 58</i></li> <li>2. Volver a encender el aparato tras unos 5 minutos. → <i>Página 57</i> <ul style="list-style-type: none"> <li>- Si la temperatura es demasiado alta, volver a comprobarla al cabo de unas pocas horas.</li> <li>- Si la temperatura es demasiado baja, volver a comprobarla al día siguiente.</li> </ul> </li> </ol>
<p>Sale agua del aparato.</p>	<p>La conexión o la manguera de alimentación de agua tiene fugas.</p> <ul style="list-style-type: none"> <li>▶ Comprobar que las conexiones a la toma de agua estén firmemente apretadas y la manguera de agua se encuentre en buen estado.</li> </ul> <p>En caso necesario, cambiar la manguera de agua.</p>
<p>La producción de cubitos de hielo es baja.</p>	<p>El aparato está conectado.</p> <ul style="list-style-type: none"> <li>▶ Esperar aprox. 4 horas hasta que finalice la primera producción de cubitos de hielo.</li> </ul> <hr/> <p>El congelador se ha abierto con frecuencia o se ha mantenido abierto durante un periodo prolongado.</p> <ul style="list-style-type: none"> <li>▶ Comprobar la producción de cubitos de hielo tras unas horas.</li> </ul> <hr/> <p>La presión del agua es demasiado baja.</p> <ul style="list-style-type: none"> <li>▶ Comprobar la presión de agua del dispositivo de suministro de agua o del sistema de filtro de agua exterior, p. ej., el sistema de ósmosis inversa.</li> </ul> <p>Conectar a una toma de agua con suficiente presión. → <i>Página 52</i></p> <hr/> <p>El filtro de agua está obstruido.</p> <ul style="list-style-type: none"> <li>▶ Sustituir el filtro de agua.</li> </ul> <hr/> <p>Hay alimentos u objetos que bloquean el sensor de nivel de llenado del fabricante de cubitos de hielo.</p> <ul style="list-style-type: none"> <li>▶ Retirar todos los alimentos y objetos del depósito para cubitos de hielo.</li> </ul> <hr/> <p>Falla en el fabricante de cubitos de hielo.</p> <ol style="list-style-type: none"> <li>1. Apagar el aparato. → <i>Página 58</i></li> <li>2. Desconectar el aparato de la red eléctrica. <ul style="list-style-type: none"> <li>Extraer el enchufe del cable de conexión de red o desconectar el fusible de la caja de fusibles.</li> </ul> </li> <li>3. Volver a conectar el aparato tras cinco minutos.</li> <li>4. Si la falla persiste, avisar al Servicio de atención al cliente. → <i>Página 69</i></li> </ol>

Falla	Causas y resolución de problemas
El fabricante de cubitos de hielo no funciona.	<p>La producción de cubitos de hielo está desactivada.</p> <ul style="list-style-type: none"> <li>▶ Encender la producción de cubitos de hielo. → <i>Página 64</i></li> </ul>
	<p>No hay alimentación de agua.</p> <ul style="list-style-type: none"> <li>▶ Asegurarse de que haya alimentación de agua disponible y de que la válvula de cierre de la toma de agua esté abierta.</li> </ul> <p>En caso necesario, ponerse en contacto con un instalador.</p>
	<p>Hay una doblez en la manguera de agua.</p> <ul style="list-style-type: none"> <li>▶ Apagar el suministro de agua y rectificar la doblez de la manguera de agua.</li> </ul> <p>En caso necesario, cambiar la manguera de agua.</p>
	<p>Falla en el fabricante de cubitos de hielo.</p> <ol style="list-style-type: none"> <li>1. Apagar el aparato. → <i>Página 58</i></li> <li>2. Desconectar el aparato de la red eléctrica. <ul style="list-style-type: none"> <li>Extraer el enchufe del cable de conexión de red o desconectar el fusible de la caja de fusibles.</li> </ul> </li> <li>3. Volver a conectar el aparato tras cinco minutos.</li> <li>4. Si la falla persiste, avisar al Servicio de atención al cliente. → <i>Página 69</i></li> </ol>
El aparato suena, burbujea, traquetea o emite zumbidos, chasquidos, crujidos o ruidos de agua en movimiento.	<p>No se trata de una falla. Hay un motor en marcha (compresores, ventilador). Fluye refrigerante a través de los tubos. El motor, los interruptores, las electroválvulas o las válvulas de agua se conectan o desconectan. Se ejecuta el desescarchado automático. Los cubitos de hielo caen en el depósito para cubitos de hielo. No es necesario realizar ninguna acción.</p>
El aparato hace ruidos.	<p>El aparato está colocado en posición desnivelada.</p> <ul style="list-style-type: none"> <li>▶ Nivelar el aparato con la ayuda de un nivel de burbuja y de las patas atornilladas.</li> </ul> <p>Los elementos del aparato se tambalean o se quedan atascados.</p> <ul style="list-style-type: none"> <li>▶ Comprobar los elementos extraíbles y, en caso necesario, volver a introducirlos.</li> </ul> <p>Los recipientes están en contacto.</p> <ul style="list-style-type: none"> <li>▶ Separar los recipientes.</li> </ul> <p>La función Congelación rápida está activada.</p> <p>No es necesario realizar ninguna acción.</p>

## 15.1 Interrupción del suministro eléctrico

Al producirse un corte en el suministro eléctrico, la temperatura del aparato aumenta, lo que reduce el tiempo de almacenamiento y afecta a la calidad de los productos congelados.

### Notas

- Durante el corte de suministro eléctrico, se recomienda abrir el aparato lo menos posible y no guardar nuevos alimentos.
- Al finalizar el corte de suministro eléctrico, es preciso comprobar la calidad de los alimentos.
  - Desechar los productos congelados que se hayan descongelado y estén a temperaturas superiores a los 41 °F (5 °C).
  - Los productos congelados que se hayan descongelado ligeramente se pueden cocinar o calentar ligeramente para su consumo; también es posible volver a congelarlos.

## 16 Almacenamiento y eliminación

### 16.1 Interrumpir el funcionamiento del aparato

1. Apagar el aparato. → *Página 58*
2. Desenchufar el aparato de la red eléctrica.
  - Extraer el enchufe del cable de conexión de red o quitar el fusible de la caja de fusibles.
3. Desconectar el aparato de la toma de agua.
4. Extraer todos los alimentos.
5. Desmontar el filtro de agua.
6. Limpiar el aparato. → *Página 64*
7. Para asegurar la ventilación del interior del aparato, dejar la puerta abierta.

## 16.2 Eliminación de los aparatos usados

Mediante una eliminación respetuosa con el medio ambiente se pueden reutilizar materias primas valiosas.

### ADVERTENCIA

Los niños pueden quedar encerrados en el aparato y poner así en peligro su vida.

- ▶ Quitar las puertas del aparato.
- ▶ Dejar las bandejas y recipientes dentro del aparato para dificultar que los niños puedan acceder al interior del mismo.
- ▶ Mantenga a los niños lejos de los aparatos usados.

### ADVERTENCIA

Si las tuberías están dañadas, se puede escapar refrigerante inflamable y gases nocivos, lo que puede provocar un incendio.

- ▶ No dañe las tuberías del circuito de refrigeración y aislamiento.

1. Desenchufar el cable de conexión a la red de la toma de corriente.
2. Separar el cable de conexión a la red.
3. Quitar las puertas del aparato.
4. Desechar el aparato de manera respetuosa con el medio ambiente.

Su distribuidor o el ayuntamiento local puede proporcionarle información sobre las vías y posibilidades actuales de desecho de materiales.

## 17 Servicio de atención al cliente

En cada reparación cubierta por la garantía, nos aseguramos de que su aparato sea reparado con repuestos originales por un proveedor de servicio capacitado y autorizado. Solo utilizamos repuestos originales para todos los tipos de reparaciones. Nuestro servicio al cliente le proporcionará piezas de repuesto originales, funcionales y disponibles en inventario hasta 15 años a partir de la fecha de introducción del aparato en el mercado.

Para más información, contactar con nuestro servicio al cliente.

Las informaciones detalladas sobre el periodo de validez de la garantía y las condiciones de garantía las podrá encontrar en nuestras condiciones de garantía, con su distribuido o en nuestra página web.

USA:

1-877-442-4436

[www.gaggenau.com](http://www.gaggenau.com)

[www.gaggenau.com/us/appliances/eshop](http://www.gaggenau.com/us/appliances/eshop)

CA:

1-877-442-4436

[www.gaggenau.com](http://www.gaggenau.com)

[www.gaggenau.ca](http://www.gaggenau.ca)

Aquí podrá encontrar ayuda para la conexión con Home Connect®:

[www.home-connect.com/us/en/help-support/set-up](http://www.home-connect.com/us/en/help-support/set-up)

## 17.1 Número de modelo (E-Nr.), número de fabricación (FD) y número de conteo (Z-Nr.)

Si contacta al servicio de atención al cliente, necesita el número de modelo (E-Nr.) y el número de fabricación (FD) y en número de conteo (Z-Nr.), que puede encontrar en la placa de características del aparato.

→ "Aparato", Fig.  , Página 55

Para volver a encontrar rápidamente los datos del aparato o el número de teléfono del servicio de atención al cliente, puede anotar dichos datos.

## 18 Datos técnicos

En la placa de características del aparato figuran el líquido refrigerante empleado, la capacidad útil y otras especificaciones técnicas.

→ "Aparato", Fig.  , Página 55

## 18.1 Informaciones referentes al software libre y de código abierto

El presente producto contiene componentes de software que están licenciados como software libre y de código abierto por los derechos de autor.

Las informaciones de licencia correspondientes se encuentran memorizadas en el aparato. También se puede acceder a las informaciones de licencia correspondientes a través de la aplicación Home Connect®: «Perfil -> Advertencias legales -> Informaciones de licencia». <sup>1</sup> Puede descargar la información de la licencia también en la página web de la marca del producto. (Por favor, busque el modelo de aparato y demás documentos en la página web del producto). También se pueden solicitar las informaciones correspondientes en [ossrequest@bshg.com](mailto:ossrequest@bshg.com) o BSH Hausgeräte GmbH, Carl-Wery-Str. 34, D-81739 München. El código fuente afectado se pondrá a disposición a pedido.

Por favor, envíe su solicitud a [ossrequest@bshg.com](mailto:ossrequest@bshg.com) o BSH Hausgeräte GmbH, Carl-Wery-Str. 34, D-81739 München.

Asunto: „OSSREQUEST“

Los costos para el trámite de su solicitud le serán facturados. Esta oferta es válida por tres años a partir de la fecha de compra o, como mínimo, por el tiempo en el que ofrecemos asistencia técnica y repuestos para el aparato correspondiente.

<sup>1</sup> Según el equipamiento del aparato





**BSH Home Appliances Corporation**  
1901 Main Street, Suite 600  
Irvine, CA 92614  
USA  
[www.gaggenau.com](http://www.gaggenau.com)  
1-877-442-4436  
© 2026 BSH Home Appliances Corporation

**GAGGENAU**



9001995126 en-us, fr-ca, es-mx (060401)