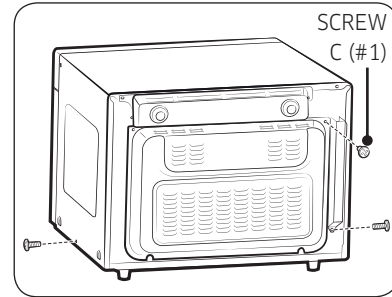


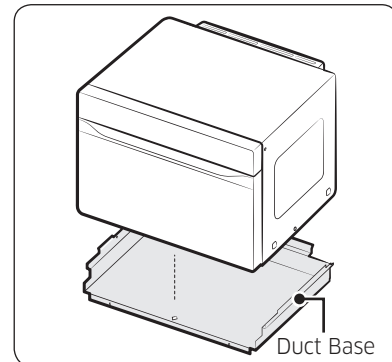
Installation

STEP 3

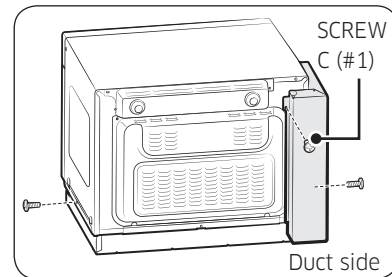
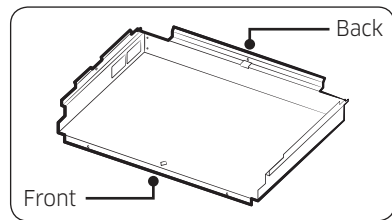


1. Remove 2 screws from the lower right and left parts of outer panel, 1 screw of each side and dispose them.
2. Remove a SCREW C(#1) from back of oven. Do not scrap SCREW C(#1)

STEP 4



1. Place oven on the Duct Base.

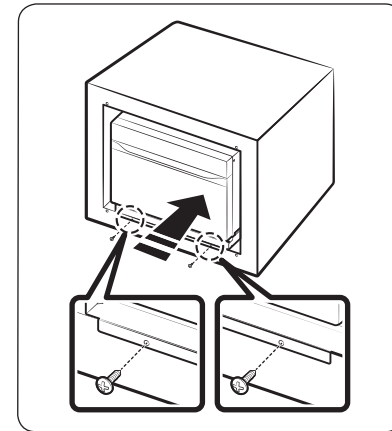


2. Position Duct Side on the left of the oven inserting edge. Secure together by using SCREW C provided in the kit (2 ea) and SCREW C(#1).

NOTE

Please remove the double-sided tape before inserting Duct Side.

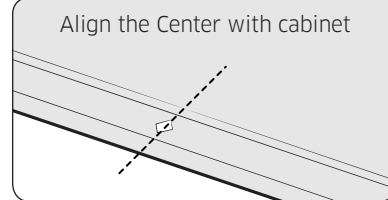
STEP 5



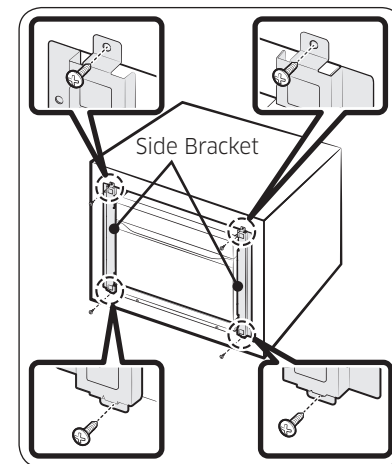
1. Slide the oven with Duct Base into cabinet until Duct Base touch the front of cabinet.
2. Plug the Power cord into the electrical outlet.
3. Secure together by using SCREW A provided in the kit. (2 ea)

NOTE

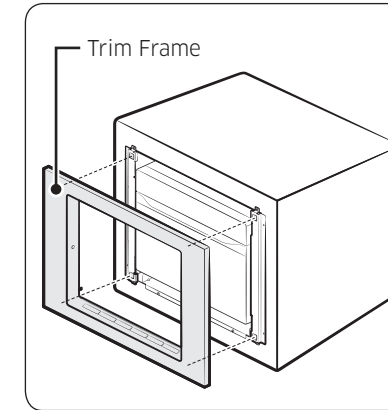
Be aware when you put a oven into the cabinet because cabinet may be moved.



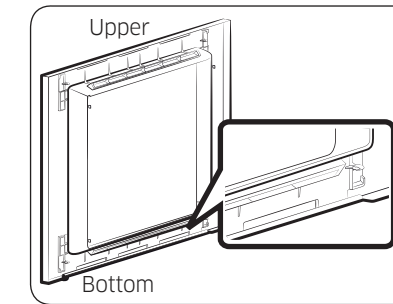
After placing the Side Bracket to match with holes, secure together by using SCREW A provided in the kit. (4 ea)



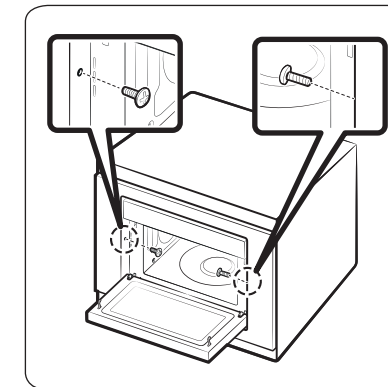
STEP 6



Press the Trim Frame into the opening until all sides snap into place.



Open the oven door. Secure the Trim Frame using SCREW B. (2 ea)



Installation Instructions

Built-in Trim Kit

(MA-TK3080CK/AA, MA-TK3080CT/AA)



DE68-04377A-00

BEFORE YOU BEGIN

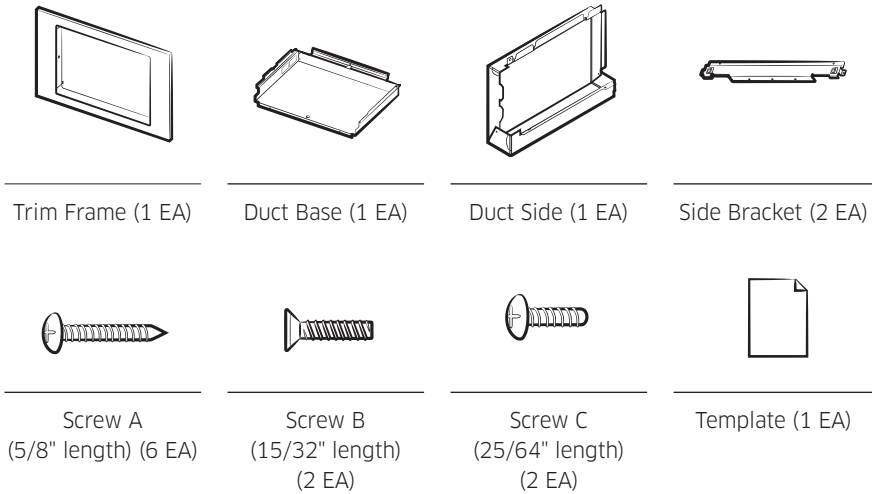
Read these instructions completely and carefully.

IMPORTANT

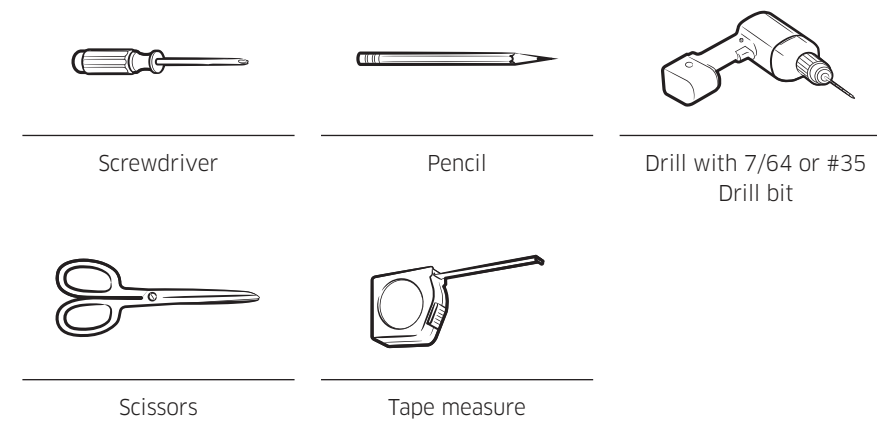
- Save these instructions for local inspector's use.
- Observe all governing codes and coordinates.
- Be sure to disconnect the plug of the microwave oven from the electrical outlet before installing the Builtin Kit. Remove the turntable from the oven cavity.
- The kit includes metal parts, due caution should be used in handling and installation to avoid the possibility of injury.
- Do not remove permanently affixed labels, warnings or plates from the product. Doing so may void the warranty.

Warning - The electrical requirements for this oven are 115-120 volts AC, 15 amps or larger.

Parts included in the kits

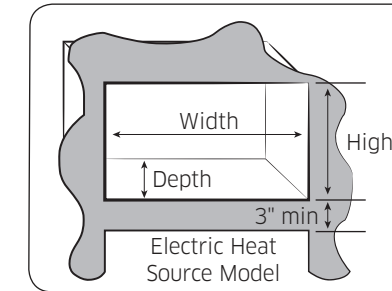


Tools needed



Installation

STEP 1



CUTOUT DIMENSIONS

Height	18 3/4" ± 1/16"
Width	24" ± 1/16"
Depth	21 1/2" ± 1/16"

⚠ WARNING

To avoid risk of electrical shock, personal injury, or death:

-Before drilling into the wall, note where electrical outlets are and where electrical wire might be concealed behind the wall. **YOU COULD GET AN ELECTRICAL SHOCK if you contact electrical wire** with the drill bit.

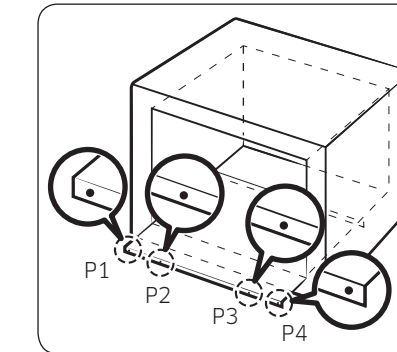
-Locate and disconnect the power to any electrical circuits that could be affected by installing this oven.

IF YOU DO NOT DISCONNECT THE POWER, YOU COULD GET AN ELECTRICAL SHOCK.

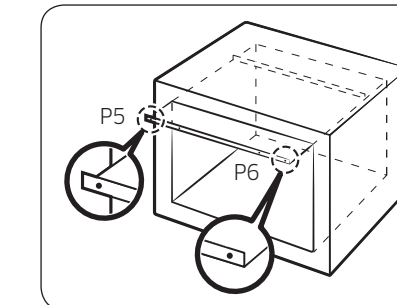
⚠ WARNING

To avoid personal injury, wear gloves when handling the metal parts. Parts are sharp and can cause cuts and abrasions.

STEP 2



After placing the Template to match with cabinet center line mark four Holes at the bottom.

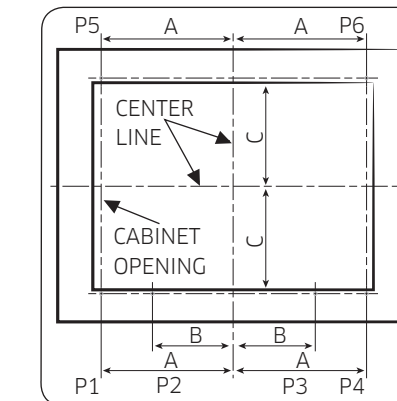


After placing the Template to match with center line, mark two Holes at the top.

Then drill a pilot hole at 6 positions use **7/64 or #35 Drill bit**.

NOTE

You may not be assembled when using the thicker Drill bit.



A : 11 9/32" (287 mm)

B : 6 57/64" (175 mm)

C : 9 23/32" (247 mm)