

Installation Guide

Cooktop Accessory Knob Kits

- SSKKVGSU Stainless Knob Kit - 5 Series Gas Cooktop
- SSKKVICU Stainless Knob Kit - 5 Series Induction Cooktops
- SSKKVECU Stainless Knob Kit - 5 Series Electric Cooktops
- BCKKVICU Black Chrome Knob Kit 5 Series Induction cooktops

Parts Included in Kits

SSKKVGSU

Part	QTY
036416-000 Top Burner Knob	6
068217-000 5 Series Knob Kit Install	1

SSKKVICU

Part	QTY
043375-000 Top Burner Knob	6
068217-000 5 Series Knob Kit Install	1

SSKKVECU

Part	QTY
040186-000 Top Burner Knob	6
068217-000 5 Series Knob Kit Install	1

BCKKVICU

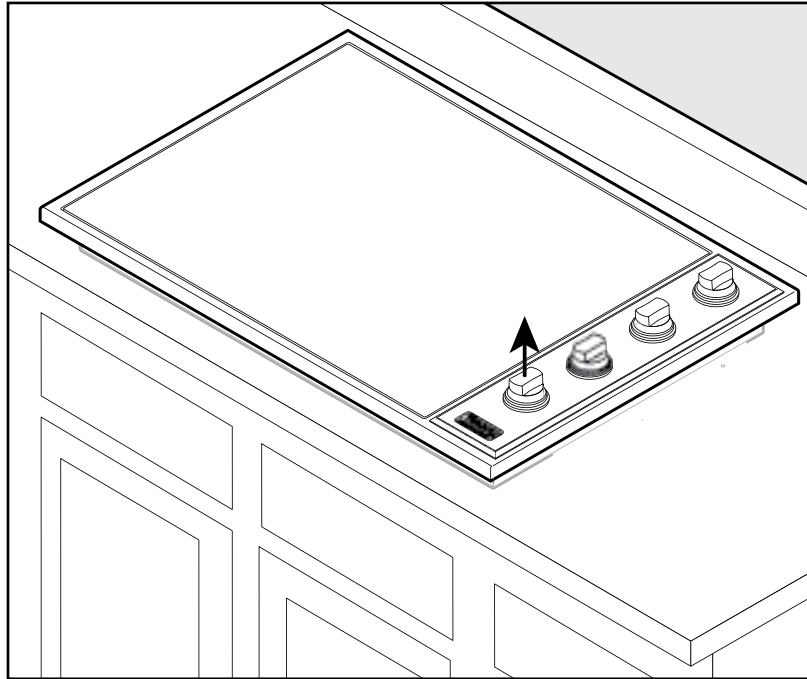
Part	QTY
066526-000 Top Burner Knob	6
068217-000 5 Series Knob Kit Install	1

NOTE: All knobs will not be used on some models. Extra knobs can be saved for future use.

Removing Knobs / Installing Knobs

MAKE SURE KNOBS POINT TO THE "OFF" POSITION BEFORE REMOVING.

Important - When removing the knobs from the product, grip the knob securely and pull straight up. It is important to pull the knob straight up so as not to break or bend the valve stem.



Viking Range, LLC
111 Front Street
Greenwood, Mississippi 38930
(662) 455-1200

For product information, call 1-888-845-4641
or visit our web site at vikingrange.com in the US