

CONTENTS

1	Handle
2	Standoff
2	Washer, star
2	Screw, #10-24 x 2"

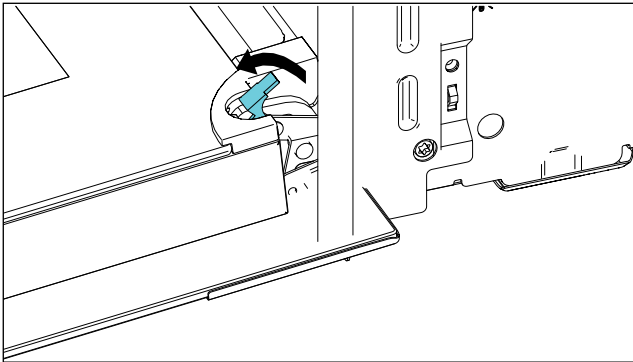
IMPORTANT NOTE: Depending on the model, additional components may be included with this kit but not utilized.

CAUTION

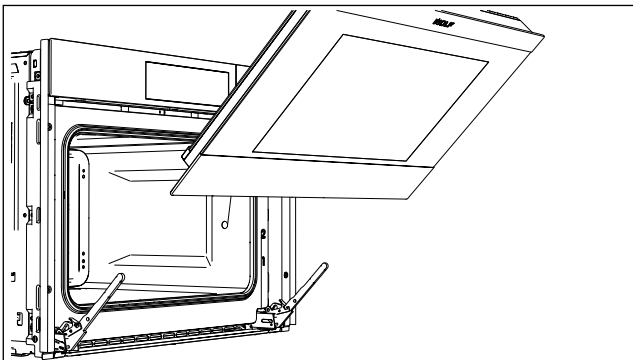
The door glass orientation is critical. Take note of the glass orientation during disassembly to ensure proper placement after the door handle is installed.

REMOVE THE DOOR

- 1 Open the door.
- 2 On each hinge, pull the hinge retainer clip forward and down into the door until it stops.

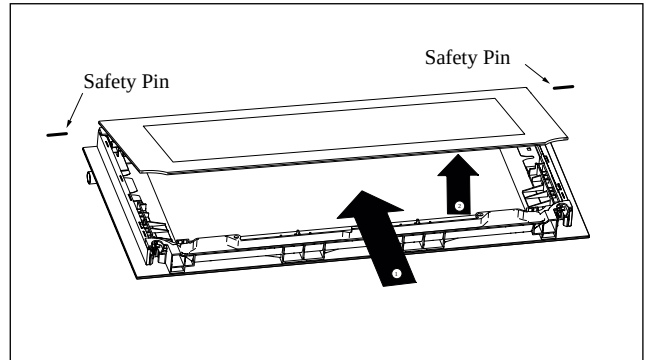


- 3 Close the door until the door stops against the hinge retainer clips.
- 4 Hold the door toward the top on each side.
- 5 Pull the door upward, removing it from the hinges.
- 6 Remove the door from the unit.



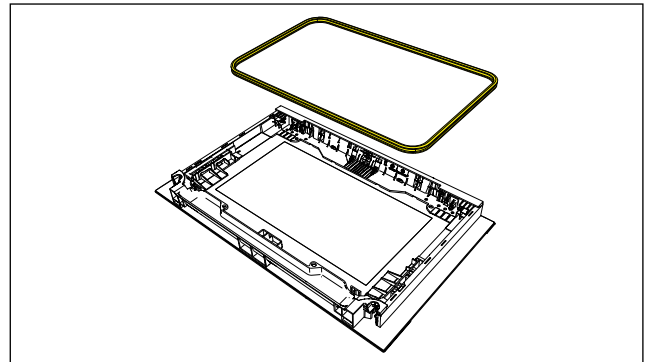
REMOVE THE INNER DOOR GLASS

- 1 Place the door, handle-side down, on a padded surface.
- 2 Use a scribe to push the safety pin, on each side into the door.
- 3 Push the inner door glass up toward the top of the door to compress the springs.
- 4 Lift the bottom of the inner door glass up.
- 5 Remove the inner door glass from the door.



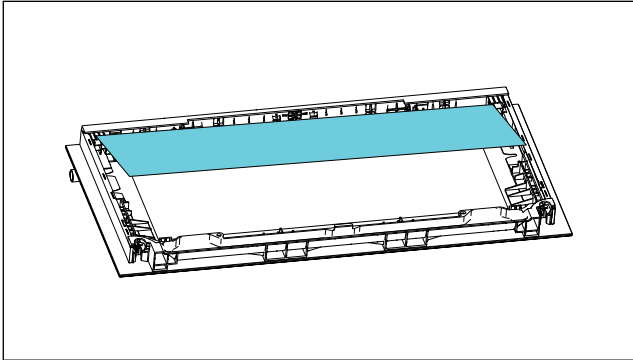
REMOVE THE DOOR GLASS GASKET

- 1 Remove the gasket from the intermediate door glass.



REMOVE THE INTERMEDIATE DOOR GLASS

- 1 Push the intermediate door glass up toward the top of the door to compress the springs.
- 2 Lift the bottom of the intermediate door glass up.
- 3 Remove the intermediate door glass from the door.



INSTALL THE HANDLE

- 1 Remove and discard the screws securing the standoffs to the handle.
- 2 Place one star washer on each of the two 2" screws provided.
- 3 Loosely place standoffs on the handle, then align the new handle with existing holes.
- 4 Verify the standoffs and standoff graphics are properly positioned, then tighten. Do not over tighten as this may cause the oven glass to break.
- 5 Fully assemble and reinstall the door, then rotate the hinge retainer clip to the closed position.

REMOVE THE DOOR HANDLE

- 1 Use a T-25 Torx bit to remove the handle mounting screws.
- 2 Remove the handle and handle standoffs from the door front.

