



## Freezer

FFFC07M2K W

Manual Defrost  
7 Cu. Ft. Chest



### Product Dimensions

Height (Including Lid)	32-1/2"
Width	37-1/4"
Depth	22"

### More Easy-To-Use Features

Front-Mounted Adjustable  
Temperature Control

Durable, Textured Metal Interior

Available in:



White  
(W)

## Signature Features

### Store-More™ Removable Basket

Convenient lift-out storage for easy access to most small frozen items or items that are most frequently accessed.

### Power-On Indicator Light

Know at a glance that your freezer is working.

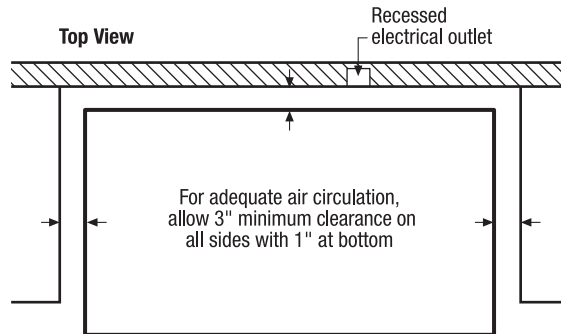
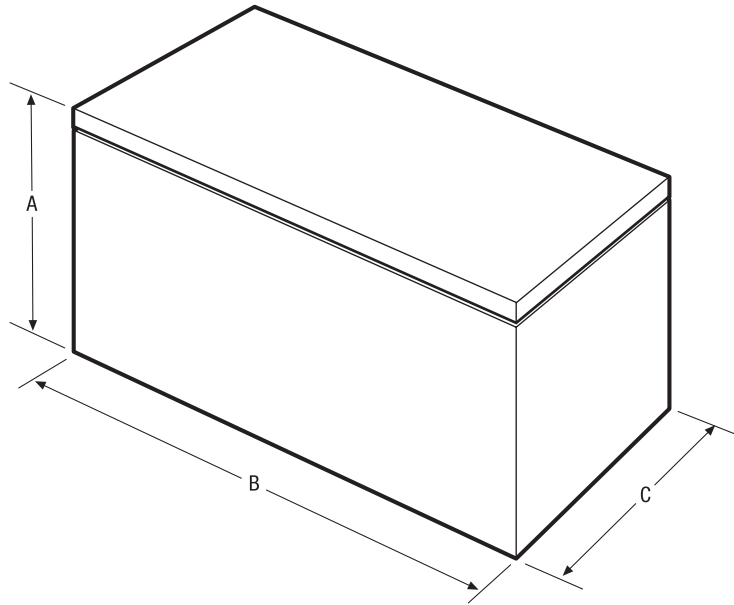
### Lift-Up Lid Handle

### Defrost Water Drain

Use the drain to conveniently remove water during defrosting.

Features	
Defrost	Manual
Adjustable Temperature Control	Yes
Interior Lighting	
Store-More™ Removable Baskets	1
Food Organization System	
Defrost Water Drain	Yes
Lid Handle	Yes
Lock with Pop-Out Key	
Temp Alarm System	
Power-On Light	Yes
Certifications	
CSA Rating	Household
Specifications	
Total Capacity (Cu. Ft.)	7.2
Annual Energy (kWH)	282
Annual Energy Cost (.1065/kWH)	\$30
Power Supply Connection Location	Bottom Rear
Voltage Rating	115V / 60Hz / 1.3A
Connected Load (kW rating) @ 115	.17
Amps @ 115 Volts	1.3
Minimum Circuit Required (Amps)	15
Shipping Weight (Approx.)	115 Lbs.

<sup>1</sup>An electrical supply with grounded three-prong receptacle is required. The power supply circuit must be installed in accordance with current edition of National Electrical Code (NFPA 70) and local codes & ordinances.

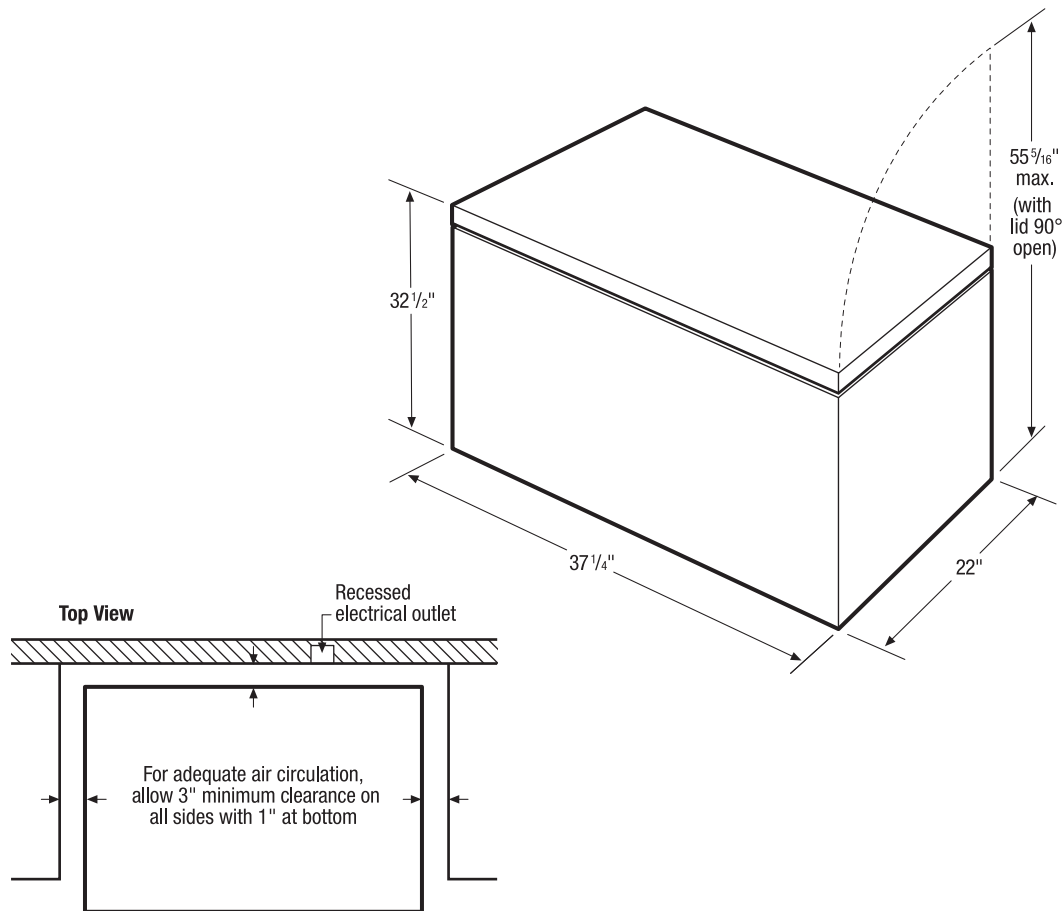


NOTE: For planning purposes only. Always consult local and national electric codes. Refer to Product Installation Guide for detailed installation instructions on the web at [frigidaire.com](http://frigidaire.com).



Product Dimensions	
A - Height (Including Lid)	32-1/2"
B - Width	37-1/4"
C - Depth	22"
D - Height with Lid Open 90°	55-5/16"

Accessories information available on the web at [frigidaire.com](http://frigidaire.com)



### Chest Freezer Specifications

- Product Shipping Weight (approx.) - 115 Lbs.
- An electrical supply with grounded three-prong receptacle is required. The power supply circuit must be installed in accordance with current edition of *National Electrical Code (NFPA 70)* and local codes & ordinances.
- Voltage Rating - 115V/60 Hz/1.3 Amps
- Connected Load (kW Rating) @115 Volts = 0.17 kW
- Amps @115 Volts = 1.3 Amps
- Always consult local and national electric codes.
- For adequate air circulation, allow 3" minimum clearance on all sides with 1" at bottom.
- Locate where surrounding air temperature will not exceed 110° F, to ensure optimum performance. (Temperatures 32° F and below will NOT affect operation.)
- All bottom corners of unit MUST rest firmly on solid level surface of hard material, same height as flooring. Surface must be strong and stable enough to support unit when fully loaded.
- Equipped with adjustable leveling legs to ensure unit is level, which is required in order to function properly.

**Note:** For planning purposes only. Refer to Product Installation Guide on the web at [frigidaire.com](http://frigidaire.com) for detailed instructions.