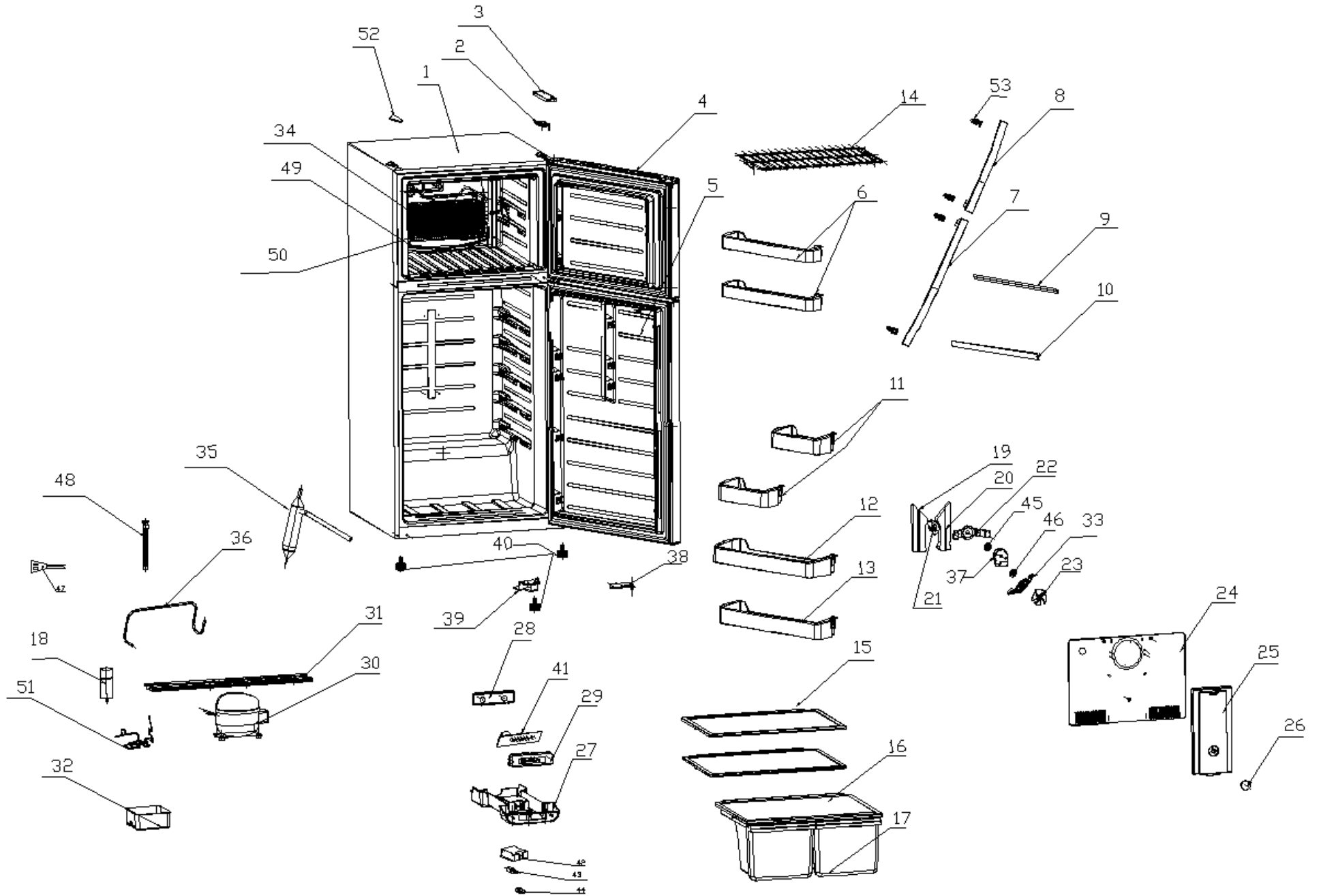


FF18D0W / FF18D1B / FF18D3S Exploded Drawing



List of Parts for Exploded Drawing

No.	Part Number	Description	Quantity
1	5037050113NN	cabinet assembly foamed	1
2	50290501017E	top hinge assembly	1
3	50114501000P	top hinge cover	1
4	5037001147KJ	R door assembly	1
5	5037001147KH	F door assembly	1
6	50115101000T	F tray	2
7	501151010016	R door handle	1
8	501151010015	F door handle	1
9	50114501002N	F bottom inner door seal 1	1
10	5011280100A1	inner door seal	1
11	50115101000M	R small tray	2
12	50115101000Q	R bottom large tray	1
13	50115101000N	R middle large tray	1
14	50290101007V	F steel wire shelf	1
15	5036020102CL	R glass shelf assembly	2
16	50360301001J	printed glass shelf assembly	1
17	501151010010	vegetable basket	2
18	5014999100B7	capacitor	1
19	50220101004Y	air duct foam	1
20	502201010050	air duct foam	1
21	50115101001Q	air damper	1
22	50115101001K	F motor bracket	1
23	501112710017	fan blades	1
24	50290801005Q	F air duct cover	1
25	50115101001M	F duct cover	1
26	50115101001J	knob	1
27	501151010012	air duct cover	1
28	50115101001P	main control PCB mounting-box cover	1
29	501151010014	harness cover	1
30	50140060003K	compressor virtual assembly	1
31	50124501000R	compressor mounting panel assembly	1
32	5011320102DS	drain tray	1
33	50115101001L	motor fixed box	1
34	501551010001	F evaporator assembly	1
35	501602000045	dry filter	1
36	501604010009	suction tube	1
37	50240401000S	F fan motor	1
38	50290501016F	middle hinge	1
39	5029050101EH	bottom hinge assembly	1
40	501119210059	adjustable foot	3
41	502301010077	main control PCB	1
42	50125101000P	lamp cover insulation plate	1
43	502410030002	bulb	1
44	50240901000E	lamp base assembly	1
45	502799900038	front pad	1
46	502799900039	back pad	1
47	502401000412	American power cable	1
48	501132510008	drain tube	1
49	50241501001E	F defrost heater	1
50	502413010008	defrosting fuse	1
51	501604010016	suction tube	1
52	50113081004D	cover	1
53	501232010085	bolt	4