



Installation Guide

Quality, Design and Innovation



home.liebherr.com/fridge-manuals









LIEBHERR

General safety instructions

Contents

1	General safety instructions.....	2
2	Setup conditions.....	3
2.1	Space.....	3
2.2	Fitting the appliance into the kitchen unit....	3
2.3	Setting up multiple appliances.....	4
2.4	Electrical connection.....	5
3	Installation dimensions.....	5
4	Ventilation requirements.....	6
5	Connection dimensions for the power supply.....	6
6	Water connection.....	6
6.1	Water pressure.....	6
7	Transporting the appliance.....	7
8	Unpacking the appliance.....	7
9	Mounting wall spacers.....	7
10	Setting up the device.....	7
11	Setting up the appliance level.....	7
12	After setup.....	8
13	Disposal of packaging.....	8
14	Reversing the door.....	8
14.1	Removing the top door.....	9
14.2	Removing the bottom door.....	10
14.3	Moving the upper bearing parts to the other side.....	10
14.4	Moving the central bearing parts to the other side.....	11
14.5	Moving the lower bearing parts to the other side.....	11
14.6	Moving the door bearing parts to the other side.....	12
14.7	Fitting the bottom door.....	13
14.8	Fitting the top door.....	13
14.9	Aligning the doors.....	14
14.10	Fitting the covers.....	14
15	Connecting the appliance to the water supply.....	14
15.1	Connecting the water pipe.....	15
15.2	Check the water system.....	15
16	Connecting the appliance to the power supply.....	16

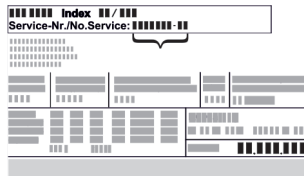
The manufacturer is constantly working to improve all types and models. Therefore, please be aware that we reserve the right to make changes to the shape, equipment and technology.

Symbol	Explanation
	Read instructions Please read the information in these instructions carefully to understand all of the benefits of your new appliance.
	Additional information online The digital manual with supplemental information can be found online by scanning the QR code on the front page of this manual or by entering the service number at home.liebherr.com/fridge-manuals .
	Check appliance Check all parts for transport damage. If you have any complaints, please contact your agent or customer service.
	Differences These instructions apply to a range of models, so there may be differences. Sections that apply to certain models only are indicated by an asterisk (*).
	Instructions and results Instructions are marked with a ►. Results are marked with a ▷.
	Videos Videos about the appliances are available on the YouTube channel of Liebherr-Hausgeräte.

1 General safety instructions

- Please keep this assembly manual in a safe place so you can refer back to it at any time.
- If you pass the appliance on, please hand this assembly manual to the new owner.
- Read this assembly manual before installation and use in order to use the appliance safely and correctly. Follow the instructions, safety instructions and warning messages included at all times. They are important for ensuring you can operate and install the appliance safely and without any problems.
- First read the general safety instructions in the “General safety instructions” section of the **operating instructions**, which accompany these installation instructions, and follow them. If you cannot find the **operating instructions**, you can download the **operating instructions** from the internet by entering the service number at home.liebherr.com/fridge-manuals. The

service number can be found on the serial



tag:

- **Observe the warning messages and other detailed information in the other sections when installing the appliance:**

	DANGER	indicates a hazardous situation, which if not avoided, will result in death or serious injury.
	WARNING	indicates a hazardous situation, which if not avoided, could result in death or serious injury.
	CAUTION	indicates a hazardous situation, which if not avoided, will result in minor or moderate injury.
	NOTICE	indicates a hazardous situation, which if not avoided, could result in damage to property.
	Note	indicates useful advice and tips.

2 Setup conditions



WARNING

Risk of fire due to moisture!

If live parts or the power cord get wet, this can cause a short circuit.

- The appliance is designed for use in enclosed spaces. Do not operate the appliance in open space or in damp areas or where there is spray.

Normal use

- Only set up and use the appliance in enclosed spaces.

2.1 Space



WARNING

Leaking refrigerant and oil!

Fire. The refrigerant contained within the appliance is environmentally friendly, but flammable. The oil contained within the appliance is flammable. Escaping refrigerant and oil can ignite if they are of high enough concentration and are exposed to an external heat source.

- Do not damage the pipelines of the coolant circuit and the compressor.

- If the appliance is installed in a very damp environment condensate water may form on the outside of the appliance.

Always ensure sufficient airflow and ventilation in the setup location.

- The more refrigerant there is in the appliance, the larger the space that it is installed in must be. If the space is too small, any leak may create a flammable mixture of gas and air. For every 8 g (0.28 oz) of refrigerant, the installation space must be at least 1 m³ (35.5 ft³). Specifications on the refrigerant in the appliance can be found on the serial tag plate inside the appliance.

2.1.1 Installation surface

- The floor of the installation site must be horizontal and level.
- The height of the appliance base must be the same as the surrounding floor.

2.1.2 Installation position

- Do not set up the appliance in an area with direct sunlight, next to a heating unit or similar.
- You can set up the appliance directly next to an oven.
- If you set up the appliance directly next to an oven, its energy consumption may increase slightly. This depends on the service life and how often the oven is used.
- Always stand the appliance backed directly to the wall using the enclosed wall spacers (see below).

2.2 Fitting the appliance into the kitchen unit

You can install kitchen cabinets around the appliance.

Setup conditions

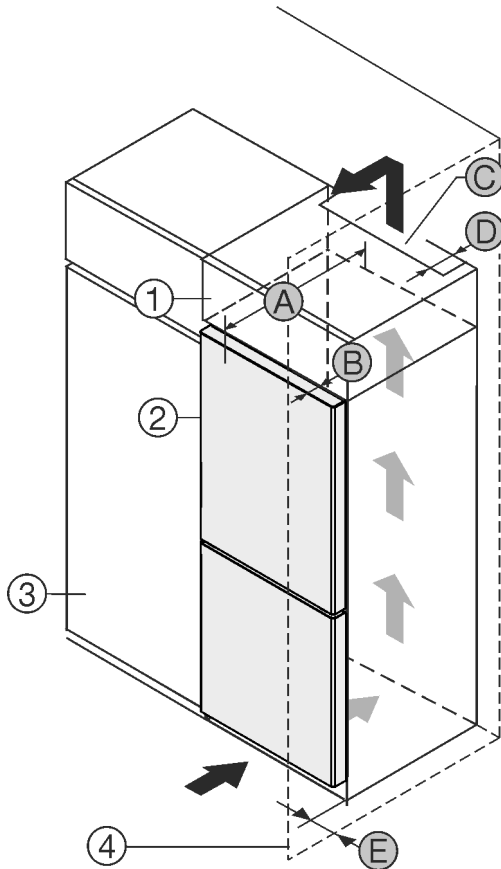


Fig. 1

- (1) Top cupboard
- (2) Appliance
- (3) Kitchen cabinet
- (4) Wall
- (A) Appliance depth
- (B) Door depth
- (C) Ventilation cross-section
- (D) Distance to the rear of the appliance
- (E) Distance to the side of the appliance

You can place the appliance directly beside the kitchen cabinet Fig. 1 (3).

There must be a ventilation shaft at the depth Fig. 1 (D) of the back of the top cupboard over the entire width of the top cupboard.

The cross section of the ventilation gap Fig. 1 (C) must be maintained below the ceiling.

If the appliance is set up with the hinges next to a wall Fig. 1 (4), the distance between the appliance and the wall must be at least 13 mm (1/2 in) .

In order to be able to fully open the door, the appliance must protrude by the depth of the door Fig. 1 (B) from the front of the kitchen cabinet. Regardless of the depth of the kitchen cabinets Fig. 1 (3) and use of wall spaces, the appliance can protrude further.

Appliances without handle / with recessed grip:

A	675 mm (26 9/16 in) *
---	-----------------------

Appliances without handle / with recessed grip:

B	75 mm (2 15/16 in)
C	Min. 300 cm ² (46.5 in ²)
D	mind. 50 mm (1 15/16 in)
E	Min. 13 mm (1/2 in)

* The use of wall spacers increases the dimensions by 15 mm (5/8 in) (see 9 Mounting wall spacers) .

Ensure that the following conditions are met:

- Recess dimensions are adhered to .
- Ventilation requirements are complied with (see 4 Ventilation requirements) .

2.3 Setting up multiple appliances

The appliances were developed for different installation options. If you want to install several appliances side by side or on top of each other, make sure that the following requirements are met:

- Only install those appliances side by side or on top of each other that were developed for the purpose.
- Observe the instructions and the following table.

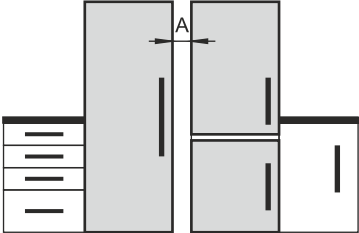
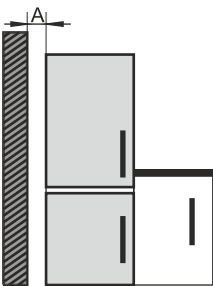
NOTICE

Risk of damage caused by water condensate!

- ▶ Do not set up the appliance next to another refrigeration/freezer unit.

Model	Installation type
All models	individually
Models with a model designation that starts with S	Side-by-side (SBS)

3 Installation dimensions

Model	Installation type
Models without side wall heating	 <p>Next to each other: Install with a distance A from 70 mm (2 3/4 in) between the appliances.</p> <p>Next to each other: Install with a distance A from 100 mm (3 15/16 in) between the appliances.</p> <p>If you do not keep this distance, condensate can form on the side walls between the appliances.</p>  <p>At an outside wall: Install with a distance A as for a side-by-side installation.</p> <p>If you do not keep this distance, condensate can form on the side wall of the appliance.</p>

Models and their installation type

Assemble the appliances according to the separate assembly instructions.

2.4 Electrical connection



WARNING

Danger of fire due to incorrect positioning!

If the power supply cable or plug touches the back of the appliance, the vibration can damage the power supply cable or the plug resulting in a short circuit.

- ▶ Make sure the power supply cable is not trapped under the appliance when you position the appliance.
- ▶ Install the appliance so that it does not touch any plugs or power cables.
- ▶ Do not connect any appliances to sockets in the area of the back of the appliance.
- ▶ Do **not** place and operate power strips/power distributors and other electronic devices (such as halogen transformers) at the back of the appliances.

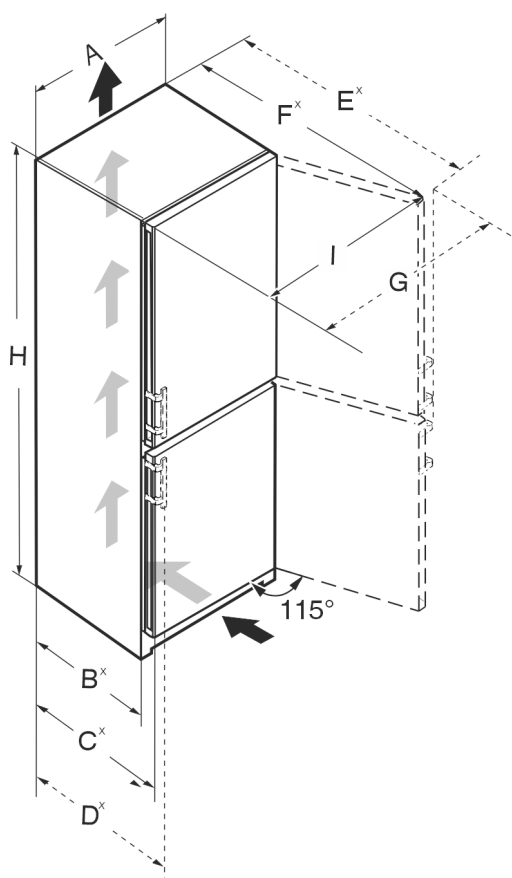


Fig. 2

C5740IM	
H	2015 mm (79 5/16 in)
A	597 mm (23 1/2 in)
B	611 mm (24 1/16 in) ^x
C	675 mm (26 9/16 in) ^x
D	–
I	846 mm (33 5/16 in)
G	–
F	1178 mm (46 3/8 in) ^x
E	–
SC7520 / C7540IM / SC7541IM	
H	1655 mm (65 3/16 in)
A	747 mm (29 7/16 in)
B	611 mm (24 1/16 in) ^x
C	675 mm (26 9/16 in) ^x
D	719 mm (28 5/16 in) ^x
I	1059 mm (41 11/16 in)

Ventilation requirements

SC7520 / C7540IM / SC7541IM	
G	1096 mm (43 2/16 in)
F	1314 mm (51 3/4 in) ^x
E	1322 mm (52 1/16 in) ^x

C7620	
H	1855 mm (73 1/16 in)
A	747 mm (29 7/16 in)
B	611 mm (24 1/16 in) ^x
C	675 mm (26 9/16 in) ^x
D	–
I	1059 mm (41 11/16 in)
G	–
F	1314 mm (51 3/4 in) ^x
E	–

^x For appliances with supplied wall spacers, the dimension must be increased by 15 mm (5/8 in) (see 9 Mounting wall spacers).

4 Ventilation requirements

NOTICE

Risk of damage due to overheating in the case of insufficient ventilation!

In the case of insufficient ventilation, the compressor can be damaged.

- ▶ Make sure there is sufficient ventilation.
- ▶ Observe the ventilation requirements.

If the appliance is integrated in a fitted kitchen, the following ventilation requirements must be met:

- Basically, the larger the ventilation gap, the more energy the appliance saves during operation.

5 Connection dimensions for the power supply

The connection for the power supply is on the rear of the appliance. In order for you to be able to safely connect your appliance, make sure that the following requirements are met:

- ❑ Dimensions for the power supply connection are known and observed. See the table below.
- ❑ The connection to the power supply is made according to the instructions. (see 16 Connecting the appliance to the power supply)

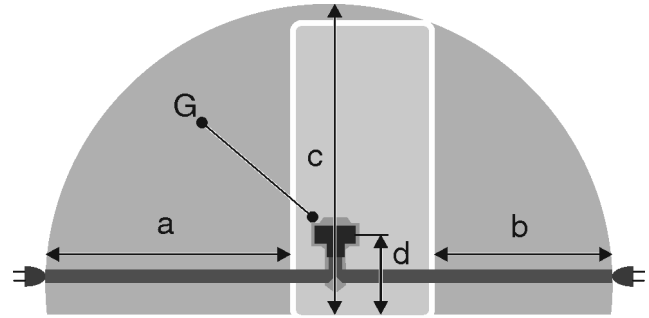


Fig. 3 Fridge/freezer combinations/freezers/full-capacityBio-Fresh appliances

- (a) Maximum available length of the power cable
- (b) Maximum available length of the power cable
- (c) Maximum available vertical length of the power cable
- (d) Distance of the appliance plug to the floor
- (G) Appliance plug

For 600 mm (23 1/2 in) wide appliances:*

a	~ 1800 mm (70 7/8 in)
b	~ 1400 mm (55 1/8 in)
c	~ 2100 mm (82 11/16 in)
d	~ 200 mm (7 7/8 in)

For 750 mm (29 7/16 in) wide appliances:*

a	~ 1725 mm (67 15/16 in)
b	~ 1325 mm (52 3/16 in)
c	~ 2100 mm (82 11/16 in)
d	~ 200 mm (7 7/8 in)

6 Water connection

If your appliance has a fixed water connection, an elbow connector with screen filter is supplied with it.

Requirements for the water pressure:	(see 6.1 Water pressure)
Make the water connection:	(see 15 Connecting the appliance to the water supply)

6.1 Water pressure

The water connection line and solenoid valve of the appliance are suitable for a water pressure of up to 1 MPa (10 bar (145.04 psi)).

To ensure that the appliance functions correctly (flow rate, ice cube size, noise level), maintain the following water pressure:

Water pressure:		
bar	psi	MPa
1.5 to 6.2	21.76 to 87.02	0.15 to 0.62

- If the pressure is higher than 6.2 bar (89.92 psi):
- ▶ Connect a pressure reducer.
 - ▶ Make the water connection. (see 15 Connecting the appliance to the water supply)

7 Transporting the appliance

Observe the following when transporting the appliance:

- ▶ Transport the appliance upright.
- ▶ Use two people when transporting the appliance.

During the first use:

- ▶ Transport the appliance packaged.

During appliance transport or at first use (e.g. when moving or cleaning):

- ▶ Empty the appliance.
- ▶ Secure the door against undesired opening.

8 Unpacking the appliance

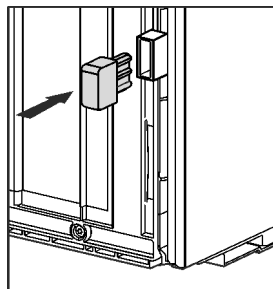
If the appliance is damaged check with the supplier immediately before connecting it.

- ▶ Check the appliance and packaging for damage during transport. If you suspect any damage, please contact your supplier immediately.
- ▶ Remove all materials that could prevent it from being installed properly or prevent proper ventilation from the back or the side panels of the appliance.
- ▶ Remove all protective films from the appliance. Do not use sharp or pointed objects for this.

9 Mounting wall spacers

With the wall spacer, your appliance will achieve the specified energy consumption and no condensation will form in high ambient humidity. The appliance will work properly without using the wall spacer, but with a slightly higher energy consumption.

If you use the wall spacer, the appliance depth increases by approx. 15 mm (5/8 in).



- ▶ Appliance with the wall spacer brackets provided: Install the wall spacer bracket on the rear side of the appliance on the left and right.

10 Setting up the device



CAUTION

Risk of injury due to heavy appliance!

- ▶ Have two people transport the appliance to its installation site.



WARNING

Risk of fire from short circuit!

- ▶ When setting up the appliance: Do not kink, trap, or damage the power cable.
- ▶ Do not operate the appliance with a defective power cable.



WARNING

Danger of injury and damage due to the appliance being unstable!

The appliance can tip over.

- ▶ Secure the appliance as described in the instructions.



WARNING

Danger of fire and damage!

- ▶ Do not place devices that give off heat, e.g. microwaves, toasters, etc. on the appliance.

Make sure that the following requirements are fulfilled:

- Only move the appliance when it is not loaded.
- Always install the appliance with help.
- ▶ Remove the power cable from the enclosed package.
- ▶ Fully insert the IEC socket of the power cable completely into the appliance plug on the rear side of the appliance. Ensure the IEC socket is firmly in place.
- ▶ If necessary, use a string to route the power plug to a socket outlet that is freely accessible.

11 Setting up the appliance level

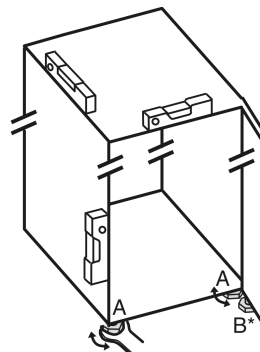


Fig. 4

After setup

- ▶ Unscrew the adjustable feet *Fig. 4 (A)* using the open-end wrench provided and a spirit level until the appliance is firmly aligned and level.



CAUTION

Risk of injury or damage from the appliance tipping or the door falling open!

If the additional adjustable foot on the base support is not correctly positioned on the floor, there is a risk of the door falling open or the appliance tipping. This can lead to injury or property damage.

- ▶ Unscrew the additional adjustable foot on the swap bearing block as per the instructions.

- ▶ Unscrew the adjustable foot *Fig. 4 (B)* at the swap bearing block using the open-end wrench provided until it rests on the floor.

- ▶ Turn the adjustable foot *Fig. 4 (B)* another 90°.

- ▷ Appliance is aligned.

12 After setup

- ▶ Pull off the protective film from the outside of the housing.
- ▶ Remove all transport packaging.
- ▶ Clean the appliance. (see operating instructions)
- ▶ Note the type (model, number), appliance designation, appliance/serial number, purchase date and dealer's address.

13 Disposal of packaging



WARNING

Danger of suffocation from packaging materials and films!

- ▶ Do not allow children to play with packaging materials.

The packaging is made from recyclable materials:

- Corrugated card/cardboard
 - Parts made of foamed polystyrene
 - Films and bags from polyethylene
 - Packing bands from polypropylene
 - Wood frame nailed together with a polyethylene window*
- ▶ Take the packaging material to an official collection point.

14 Reversing the door

Tools



Fig. 5



WARNING

Danger of injury due to door falling out!

If the bearing parts are not screwed on tightly enough, the door may fall out. This can result in serious injuries. In addition, the door may not close causing the appliance to cool improperly.

- ▶ Screw on the bearing brackets/bearing pins tightly with 4 Nm (3 ft lb).
- ▶ Check all screws and retighten them if necessary.

These sections apply for appliances **without a soft stop mechanism**:

- For appliances **without** the a stop mechanism
- For all appliances

NOTICE

Risk of damage to side-by-side appliances caused by condensate!

Certain appliances can be set up as side-by-side combinations (two appliances beside one another).

If your appliance **is a side-by-side appliance**:

- ▶ Install the SBS combination in accordance with the accompanying sheet.

If the **configuration of appliances is specified**:

- ▶ Do not change the door stop.

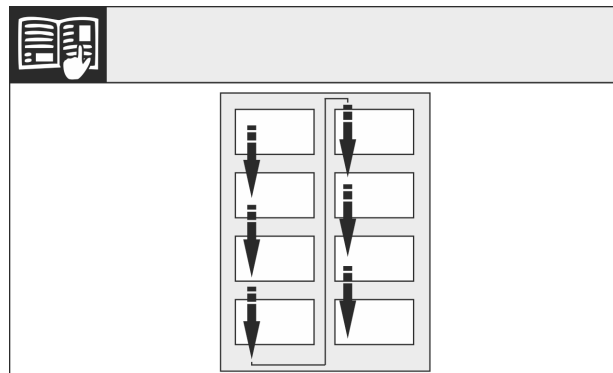


Fig. 6

Observe the reading direction.

14.1 Removing the top door

Note

- ▶ To prevent food items from falling out, take all food out of the door racks before removing the door.

For appliances without soft stop mechanism:

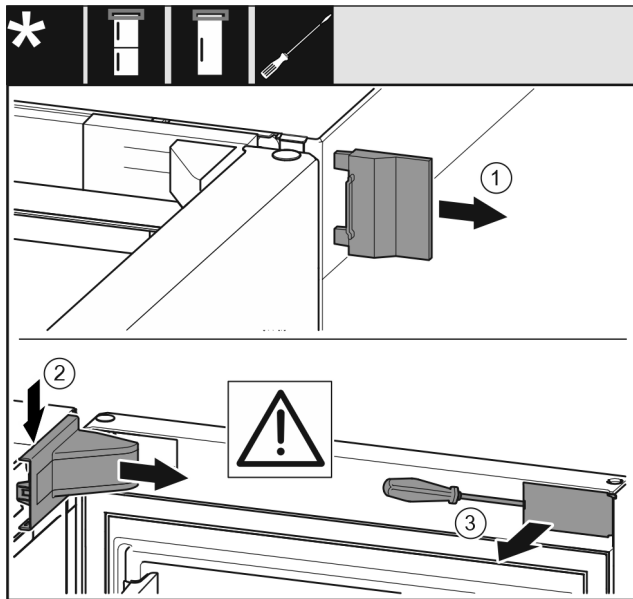


Fig. 7

- ▶ Open the door.

NOTICE

Risk of damage!

If the door seal is damaged the door may not close properly and the level of cooling is insufficient.

- ▶ Do not damage the door seal with the screwdriver!

- ▶ Remove the outer cover. Fig. 7 (1)
- ▶ Disengage and release the bearing bracket cover. Remove the bearing bracket cover. Fig. 7 (2)
- ▶ Unlatch the panel with a slotted screwdriver and swivel it to one side. Fig. 7 (3)

For all appliances:

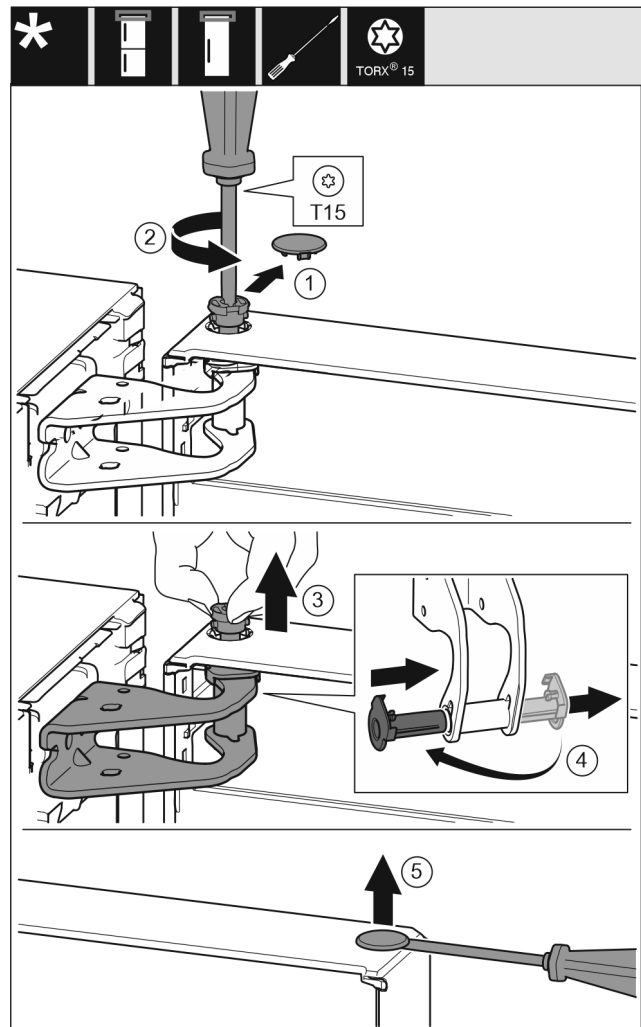


Fig. 8



CAUTION

Risk of injury if the door tips out!

- ▶ Keep a steady grip on the door.
- ▶ Set the door down carefully.

- ▶ Carefully remove the protective cover. Fig. 8 (1)
- ▶ Loosen the bolts slightly with a T15 screwdriver. Fig. 8 (2)
- ▶ Hold the door and remove the bolts with your fingers. Fig. 8 (3)
- ▶ Pull the bearing bush out of the guide. Insert from the other side and latch into place. Fig. 8 (4)
- ▶ Lift the door and place it to one side.
- ▶ Carefully lift the plugs out of the door bearing bush with a slotted screwdriver and remove them. Fig. 8 (5)

Reversing the door

14.2 Removing the bottom door

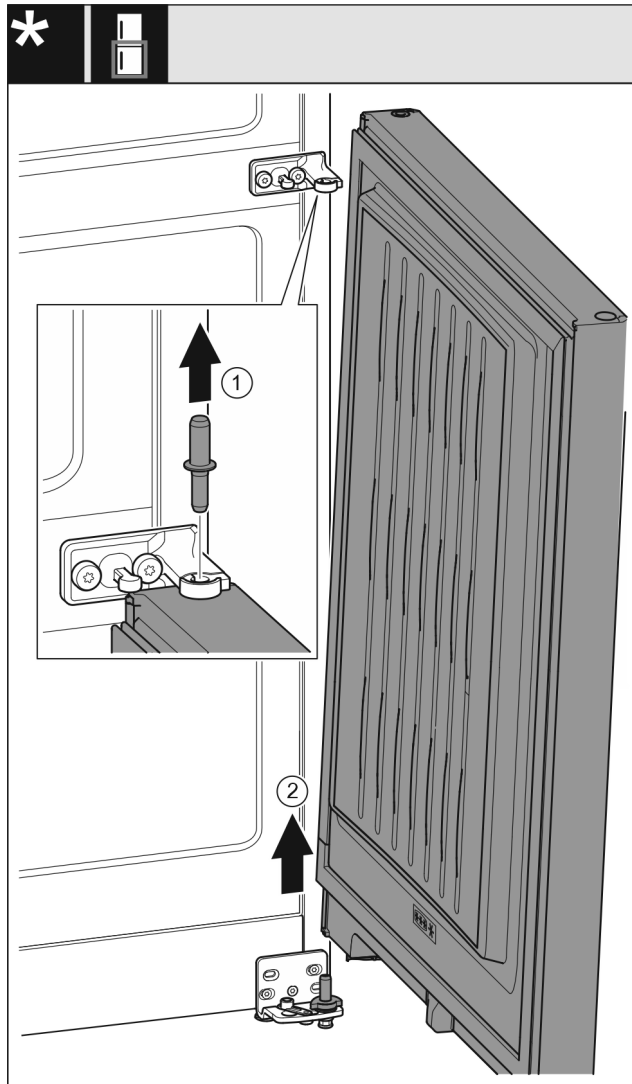


Fig. 9

- ▶ Pull out the bolts upward. Fig. 9 (1)
- ▶ Swing the door out, pull it upward and set it aside. Fig. 9 (2)



CAUTION

- Risk of injury if the door tips out!
- ▶ Keep a steady grip on the door.
 - ▶ Set the door down carefully.

14.3 Moving the upper bearing parts to the other side

For all appliances:

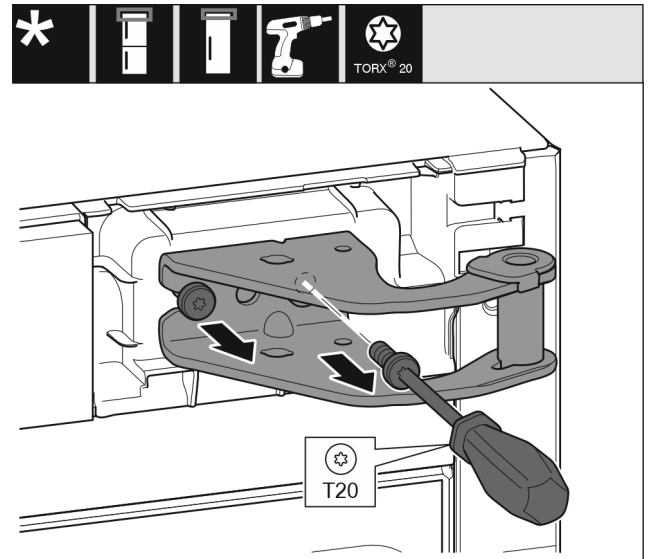


Fig. 10

- ▶ Remove both screws with a T20 screwdriver.
- ▶ Lift and remove the bearing bracket.

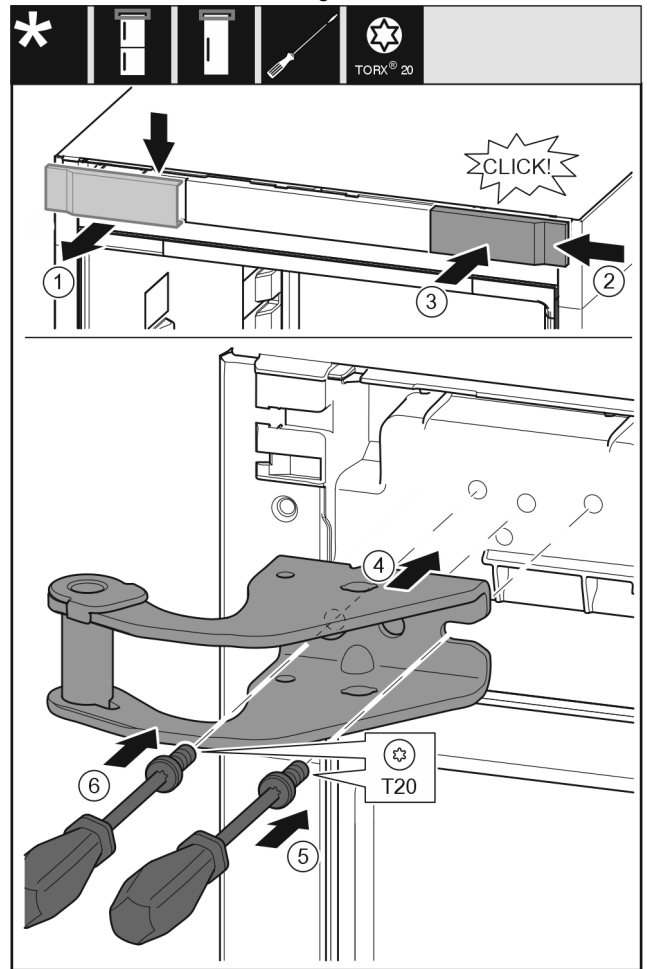


Fig. 11

- ▶ Take off the cover to the front from above. Fig. 11 (1)
- ▶ Rotate the cover 180° and clip onto the other side from the right. Fig. 11 (2)
- ▶ Latch the cover into place. Fig. 11 (3)

- ▶ Position the upper bearing bracket. *Fig. 11 (4)*
- ▶ Insert the screw with a T20 screwdriver and tighten it. *Fig. 11 (5)*
- ▶ Insert the screw with a T20 screwdriver and tighten it. *Fig. 11 (6)*

14.4 Moving the central bearing parts to the other side

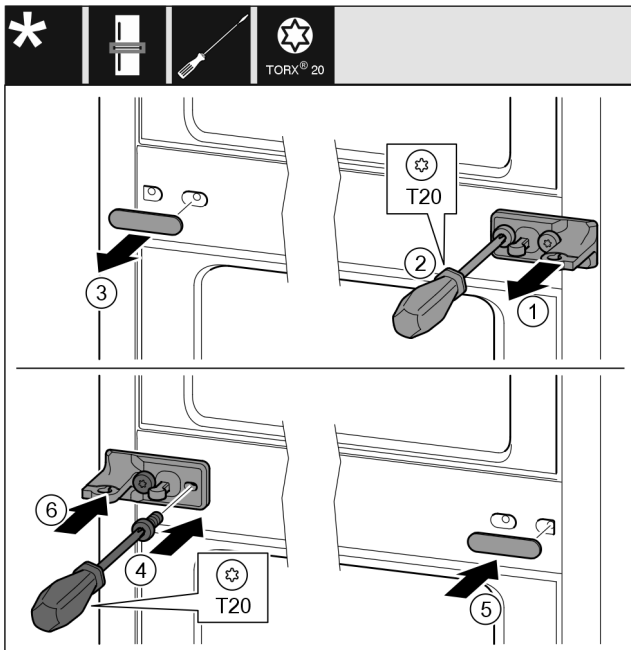


Fig. 12

- ▶ Remove the washer. *Fig. 12 (1)*
- ▶ Remove the screws with the T20 screwdriver. *Fig. 12 (2)*
- ▶ Remove the cover carefully. *Fig. 12 (3)*
- ▶ Screw the bearing bracket and the film rotated 180° firmly onto the other side. *Fig. 12 (4)*
- ▶ Attach the cover rotated 180° onto the other side. *Fig. 12 (5)*
- ▶ Push the washer in from the front. *Fig. 12 (6)*

14.5 Moving the lower bearing parts to the other side

For all appliances:

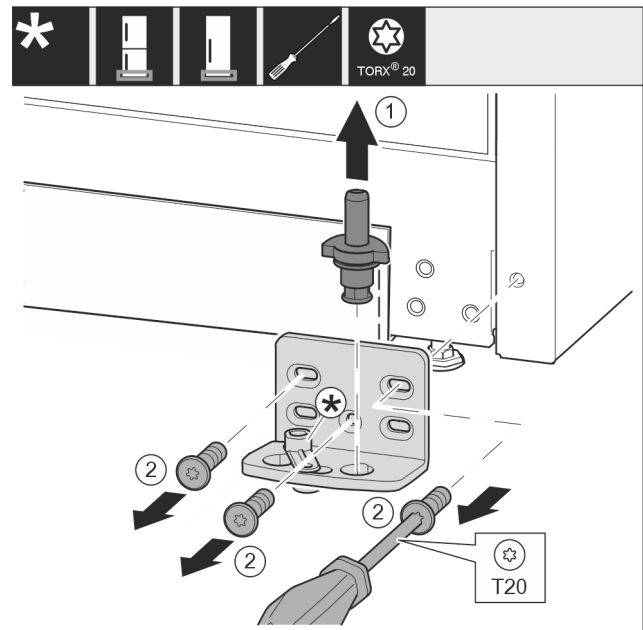


Fig. 13

- ▶ Lift the bearing pin completely upward and remove it. *Fig. 13 (1)*
- ▶ Remove the screws with the T20 screwdriver and take off the bearing bracket. *Fig. 13 (2)*

For appliances without soft stop mechanism:

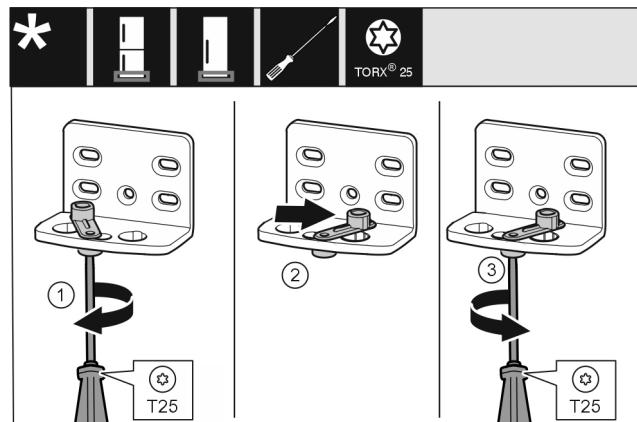


Fig. 14

- ▶ Loosen the screw using a T25 screwdriver. *Fig. 14 (1)*
- ▶ Lift the door closing aid and turn it 90° to the right in the hole. *Fig. 14 (2)*
- ▶ Tighten the screw using the T25 screwdriver. *Fig. 14 (3)*

For all appliances:

Reversing the door

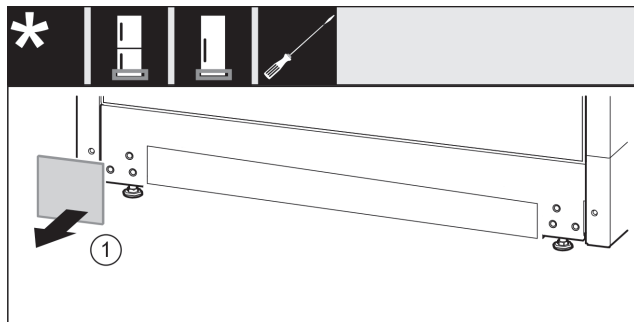


Fig. 15

- ▶ Take off the cover. Fig. 15 (1)

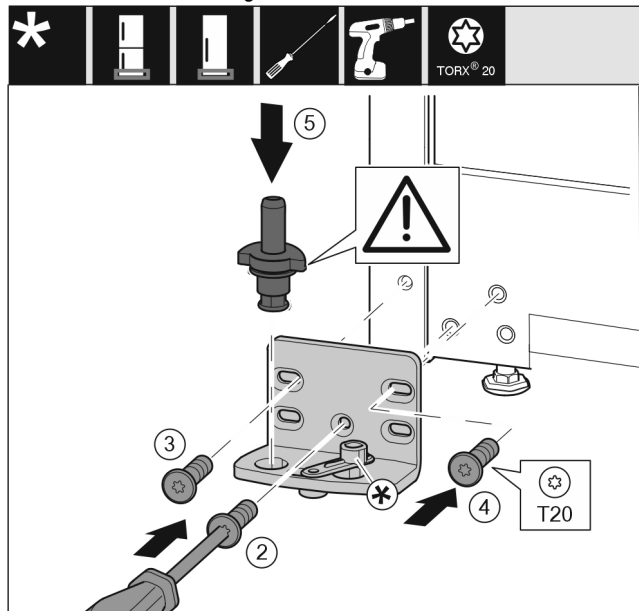


Fig. 16

- ▶ Place the bearing bracket on the other side and screw it in using the T20 screwdriver. Start with screw 2 at the bottom in the middle. Fig. 16 (2)
- ▶ Screw in screws 3 and 4. Fig. 16 (3,4)
- ▶ Insert the bearing pin completely. Make sure that the latching lug is pointing to the rear. Fig. 16 (5)

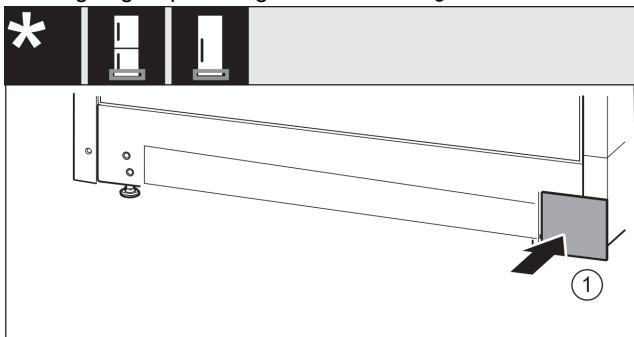


Fig. 17

- ▶ Put back the cover on the other side. Fig. 17 (1)

14.6 Moving the door bearing parts to the other side

For appliances without soft stop mechanism:

Bottom door

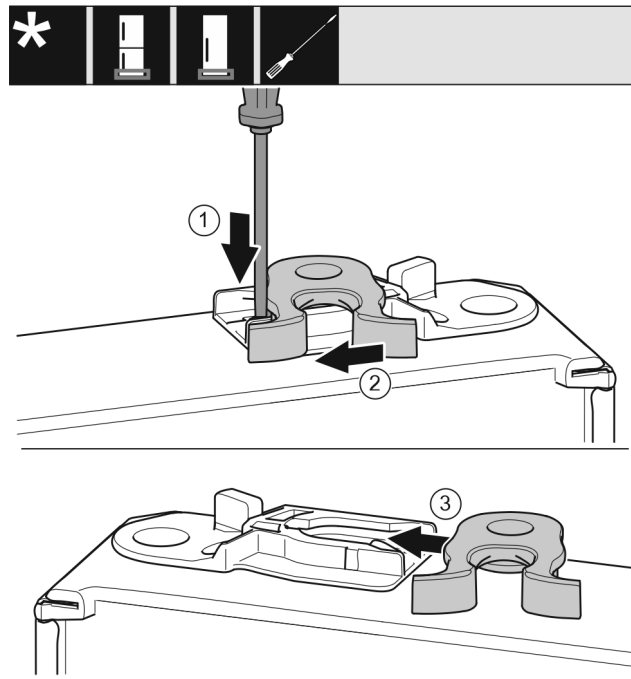


Fig. 18

- ▶ Underside of door faces upwards: Turn the door.
- ▶ Push the lug downward with a slotted screwdriver. Fig. 18 (1)
- ▶ Pull the door latch out of the guide. Fig. 18 (2)
- ▶ Push the door latch into the guide on the other side. Fig. 18 (3)
- ▶ Upper side of door faces upwards: Turn the door.

Top door

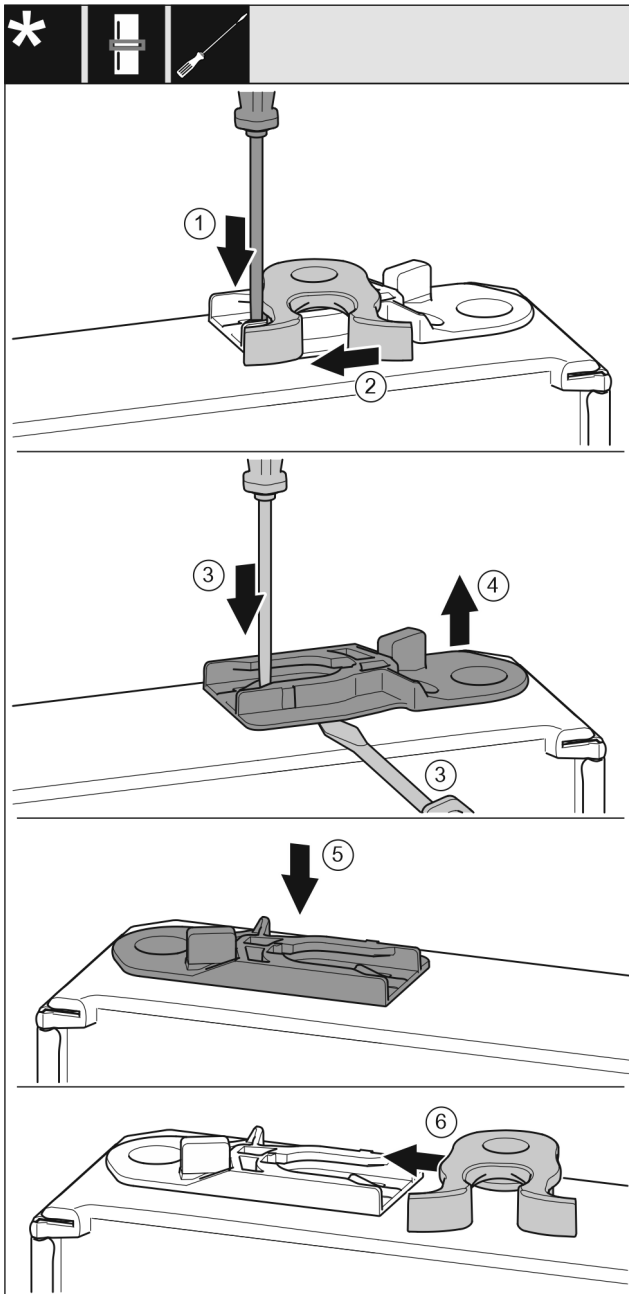


Fig. 19

- ▶ Underside of door faces upwards: Turn the door.
- ▶ Push the lug downward with a slotted screwdriver. Fig. 19 (1)
- ▶ Pull the door latch out of the guide. Fig. 19 (2)
- ▶ Pull out the guide bush: Press the lug with a slotted screwdriver and, at the same time, insert the slotted screwdriver under the guide bush. Fig. 19 (3, 4)
- ▶ Slide the guide bush included in the scope of supply to the other side of the housing. Fig. 19 (5)
- ▶ Push the door latch into the guide. Fig. 19 (6)
- ▶ Upper side of door faces upwards: Turn the door.

14.7 Fitting the bottom door

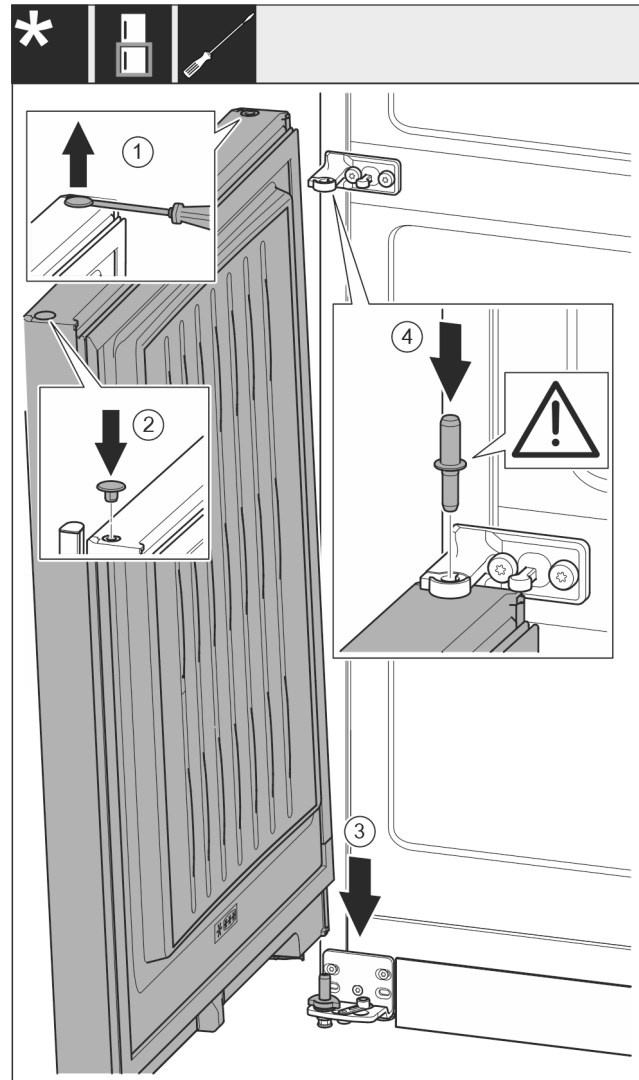


Fig. 20

- ▶ Carefully lift up the plugs with a slotted screwdriver and pull them out. Fig. 20 (1)
- ▶ Insert the plugs again on the other side of the door. Fig. 20 (2)
- ▶ Position the door from above onto the lower bearing pins. Fig. 20 (3)
- ▶ Insert the center bearing pin through the center bearing bracket into the bottom door. Make sure that the latching lug is pointing to the rear. Fig. 20 (4)

14.8 Fitting the top door

For all appliances:

Connecting the appliance to the water supply

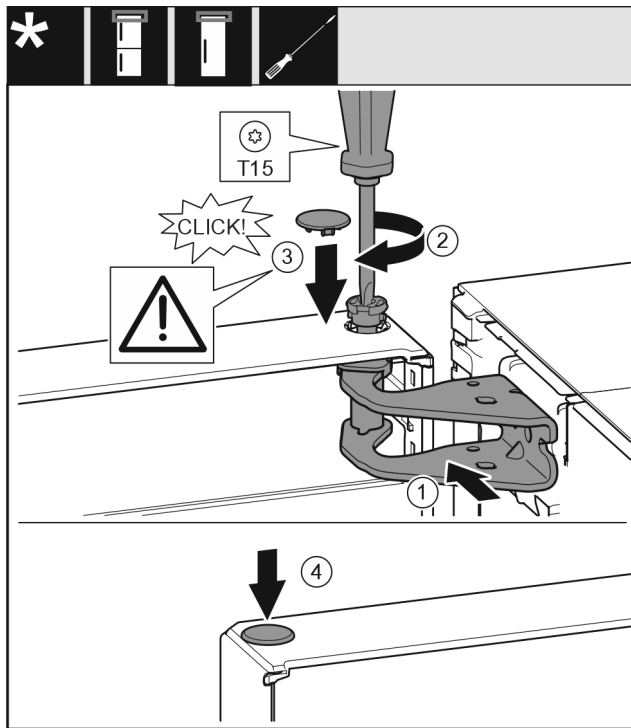


Fig. 21

- ▶ Place the door on the center bearing pins.
- ▶ Align the top of the door with opening in the bearing bracket. Fig. 21 (1)
- ▶ Insert the bolt and tighten with a T15 screwdriver. Fig. 21 (2)
- ▶ Fit the protective cover to protect the door: Insert the protective cover and check that it lies flush on the door. If not, insert the bolt fully. Fig. 21 (3)
- ▶ Insert the plugs. Fig. 21 (4)

14.9 Aligning the doors

For all appliances:



WARNING

Danger of injury due to door falling out!
If the bearing parts are not screwed on tightly enough, the door may fall out. This can result in serious injuries. In addition, the door may not close causing the appliance to cool improperly.

- ▶ Screw the bearing brackets on firmly with 4 Nm (3 ft lb).
- ▶ Check all screws and retighten them if necessary.
- ▶ Align the doors flush with the appliance housing using the two slots in the lower bearing bracket and center bearing bracket if needed. To do this undo the middle screw in the bottom bearing bracket with the T20 tool supplied. Undo the remaining screws a little with the T20 tool or with a T20 screwdriver and align via the slots. Undo the screws in the middle bearing bracket with the T20 tool and align the middle bearing bracket via the slots.

- ▶ Prop up the door: Screw out the adjustable foot on the bearing bracket using the open-ended wrench SW10 until it comes into contact with the floor, then turn an additional 90°.

14.10 Fitting the covers

For appliances without soft stop mechanism:

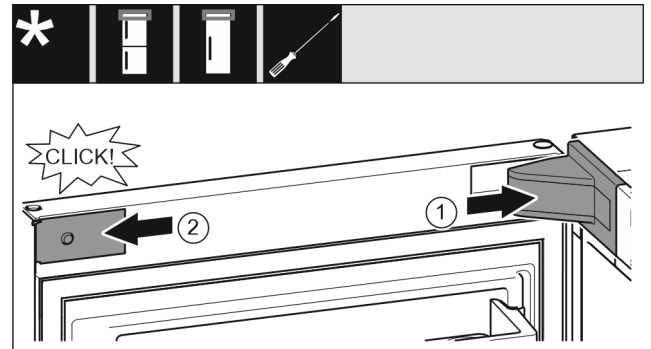


Fig. 22

The door is open 90°.

- ▶ Position the bearing bracket cover and engage it. If necessary push it apart carefully. Fig. 22 (1)
- ▶ Position the panel on the side and latch into place. Fig. 22 (2)

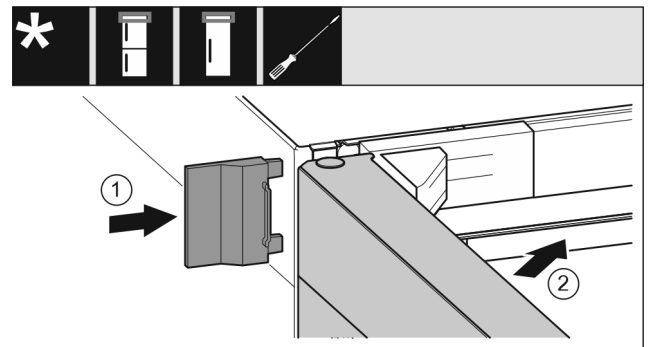


Fig. 23

- ▶ Slide on the outer cover. Fig. 23 (1)
- ▶ Close the upper door. Fig. 23 (2)

15 Connecting the appliance to the water supply

Make sure that the following requirements are fulfilled:

- The dimensions for the water supply connection are known and complied with.
- The correct water pressure is maintained.
- Water is supplied to the appliance via a cold water pipe that can withstand the operating pressure and is connected to the drinking water supply.
- All equipment and devices used for the water supply comply with the applicable regulations in the country of use.

Connecting the appliance to the water supply

- ❑ The back of the appliance is accessible so that you can connect the appliance to the drinking water supply.
- ❑ A coupler between the R3/4 connection thread and the 1/4" OD copper pipe is supplied.
- ❑ There is a screen filter with a seal in the coupler. The screen filter with a seal is supplied.
- ❑ A **1/4" OD copper pipe** is used to connect the water supply to the solenoid valve. **This is not supplied with the appliance.**
- ❑ There is an adaptor between the hose 1/4" OD copper pipe and the domestic water connection so that you can turn off the water supply if necessary.
- ❑ The adaptor is not directly behind the appliance and is easily accessible. This way, you can push the appliance as close as possible to the wall and can quickly turn off the faucet if necessary.



WARNING

Risk of electric shock from water!

- ▶ Before connecting to the water hose: Disconnect the appliance from the mains.
- ▶ Before connecting to water lines: Shut off the water supply.
- ▶ Make sure that only qualified personnel connect the device to the drinking water supply.



WARNING

Risk of poisoning due to contaminated water!

- ▶ Connect to potable water supply only.

15.1 Connecting the water pipe

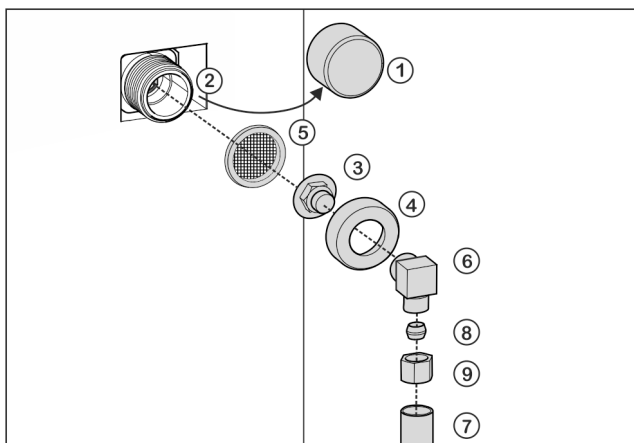


Fig. 24

- | | |
|--------------------|--------------------------------------------|
| (1) Cap | (6) Angle piece |
| (2) Solenoid valve | (7) Water pipe (e. g. 1/4" OD copper pipe) |
| (3) Coupler | (8) Clamp ring |
| (4) Union nut | (9) Nut |
| (5) Screen filter | |

NOTICE

Risk of damage from incorrect installation!

- ▶ Do not damage or kink the water pipe (e. g. copper pipe) during installation.
- ▶ Do not damage or kink the water pipe (e. g. copper pipe) when setting up the appliance.

Connecting the coupler to the appliance:

- ▶ Remove cap Fig. 24 (1) from solenoid valve Fig. 24 (2).
- ▶ Insert coupler Fig. 24 (3) into union nut Fig. 24 (4).

NOTICE

The filter can be damaged if not correctly fitted!

- ▶ Observe the following instruction when putting in the filter.
- ▶ Insert the filter Fig. 24 (5) with the recess pointing down towards the coupler Fig. 24 (3).

NOTICE

The thread can be damaged if the union nut is overtightened!

- ▶ Observe the following instructions for fitting the union nut on the solenoid valve.
- ▶ Screw the union nut Fig. 24 (4) by hand onto the thread of the solenoid valve Fig. 24 (2) until it is firmly in place.
- ▷ The coupler is connected to the appliance.

90° bend in the water connection: Connecting the water hose to the elbow connector:

- ▶ Screw on angle piece Fig. 24 (6).
- ▶ Connect the water pipe Fig. 24 (7) (e. g. 1/4" OD copper pipe) with the clamp ring Fig. 24 (8) and nut Fig. 24 (9) to the elbow connector Fig. 24 (6).
- ▷ The water pipe is connected to the elbow connector.

-or-

No bend in the water connection: Connecting the water hose to the coupler:

- ▶ If necessary: Fasten the water pipe Fig. 24 (7) to the housing with the guide clip.
- ▶ Put angle piece Fig. 24 (6) to one side.
- ▶ Connect the water pipe Fig. 24 (7) (e. g. 1/4" OD copper pipe) with the clamp ring Fig. 24 (8) and nut Fig. 24 (9) to the coupler Fig. 24 (3).
- ▶ If necessary: Fasten the water pipe Fig. 24 (7) to the housing with the guide clip.
- ▷ The water pipe is connected to the coupler.

Fitting the adaptor between the water pipe and the water supply:

- ▶ Connect the water pipe (e. g. 1/4" OD copper pipe) to the water supply with a suitable adaptor.
- ▷ The water is connected to the water supply with an adaptor.

15.2 Check the water system

Before you completely install the appliance, Liebherr recommends checking the water system for leaks.

- ▶ Slowly turn on the water feed.

Connecting the appliance to the power supply

- ▶ Check the hose, water feed and connections for leaks.
- ▷ The water system has now been checked for leaks.
- ▷ The water system is not leaking: You can install up the appliance completely.

Note

IceMaker: Before the first use, you must clean the IceMaker. (see Quick Start Guide or operating instructions)*

16 Connecting the appliance to the power supply



WARNING

Danger of electric shock and injury due to damaged appliance or damaged mains cable!

Cuts and fatal injury. If the appliance or the mains cable is damaged during transport, you may be electrocuted. You could also cut yourself on damaged parts of the appliance housing.

- ▶ Check the appliance and the mains cable for damage after transport.
 - ▶ Never put the appliance into operation if the appliance or the mains cable are damaged.
 - ▶ Contact Customer Service.
-

You can connect your appliance to the mains using the power cable supplied separately. The mains power cable has an appliance coupler at one end and a mains plug at the other end.

Make sure that the following requirements are fulfilled:

- The appliance and power cable are undamaged.
 - The appliance is set up in accordance with the regulations. (see 9 Mounting wall spacers)
 - Requirements for the electrical connection are met. (see 2 Setup conditions)
 - Dimensions for connection in accordance with regulations are known and observed. (see 5 Connection dimensions for the power supply)
 - Mains voltage and frequency correspond to the specifications on the type plate.
 - The socket is grounded and fused in accordance with regulations.
 - The tripping current for the fuse is between 10 A and 16 A.
 - Outlet is easily accessible and is not behind the appliance. (see 5 Connection dimensions for the power supply)
-

NOTICE

Danger of damage to incorrect operation!
Damage to the electrical components of the appliance.

- ▶ Only use the supplied power cable.
-

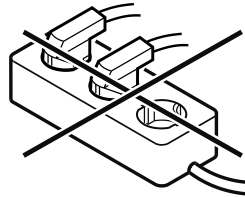


WARNING

Danger of fire due to incorrect connection!
Burns.

Damage to the appliance.

- ▶ Do not use an extension cord.
 - ▶ Do not use a multipoint connector strip.
-



NOTICE

Danger of damage to incorrect connection!

Damage to the appliance.

- ▶ Do not connect the appliance to a stand-alone inverter, e.g. solar power systems and petrol generators.
-

- ▶ Connect the mains plug of the power cable to the power supply.

- ▷ The Liebherr logo appears in the display.
 - ▷ The display switches to the standby symbol.
 - ▷ If no action is taken within 60 seconds: Standby symbol fades or disappears.
 - ▷ Appliance is connected. For initial commissioning, see the next chapter or the operating instructions.
-



home.liebherr.com/fridge-manuals

EN Combined fridge-freezer

Issue date: 20241004

Part number index: 7086355-00

For Service in the U.S.: Liebherr Service Center
Toll Free: 1-866-LIEBHER or 1-866-543-2437
Service-appliances.us@liebherr.com
PlusOne Solutions, Inc.
3501 Quadrangle Blvd, Suite 120
Orlando, FL 32817

For Service in Canada: Liebherr Service Center
Toll Free: 1-888-LIEBHER or 1-888-543-2437
www.euro-parts.ca
EURO-PARTS CANADA
39822 Belgrave Road, Belgrave, Ontario, N0G 1E0
Phone: (519) 357-3320 | Fax: (519) 357-1326