

---

# Freestanding Appliances

---

Design Guide 2024

# LIEBHERR

Refrigeration and Freezing





# Table of Contents

The new Freestanding Appliances	9
Model Overview	10
Series	12
Key Features	14
Models:	
C5740IM	16
C5250	18
SC5781	20
SCB5790IM	22
SC7520	24
C7540IM & SC7541IM	26
C7620	28
SC7751	30
SCB7760IM	32
CB7790IM	34
SRB5290	36
SF5291	38
W5250	40
W5270	42
Side by Side combinations	46
SF5291 and SRB5290	47
SC5781 and SCB5790IM	48
SC7541IM and SC7520	49
SC7751 and SCB7760IM	50
Top ventilation grill	52
Planning Information	53
Ventilation Requirements	55
Accessories	56







## The New Freestanding Appliances

---

The new Freestanding appliances are not only impressive in terms of convenience and freshness technology, but also with regard to design and materials and energy efficiency.

Simple and timeless on the outside, exclusive with plenty of glass and elegant stainless steel on the inside, the new design language adds the finishing touch to every kitchen.

Whether basic or high-end, your Liebherr appliances will do everything it can to make your life easier with fresh ideas.

# Model Overview

## Bottom Freezers

Model	Door Hinge	Series
C5740IM	Right, reversible	Plus
C5250	Right, reversible	Prime
SC5781	Left, reversible	Peak
SCB5790IM	Right, reversible	Peak
SC7520	Right, reversible	Plus
C7540IM & SC7541IM	Right & Left, reversible	Plus
C7620	Right, reversible	Plus
SC7751	Left, reversible	Prime
SCB7760IM	Right, reversible	Prime
CB7790IM	Right, reversible	Peak

## Refrigerator

Model	Door Hinge	Series
SRB5290	Right, reversible	Peak

## Freezer

Model	Door Hinge	Series
SF5291	Left, reversible	Peak

## Wine

Model	Door Hinge	Series
W5250	Right, reversible	Vinidor
W5270	Right, reversible	Vinidor Selection

### Features



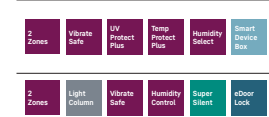
### Features



### Features



### Features



# Series

## ◆ Plus

Plus means a plus in comfort. The appliances not only provide first-class refrigeration and freezing, they are also just that little bit smarter. They help make operation a little easier.

## ⊞ Prime

With the Prime series things get much more classy. It makes an unmistakable mark in terms of design and material. Top quality materials such as stainless steel and special lighting concepts can be found on the inside of the appliances.

## △ Peak

The Peak series is our top-of-the-line series. This combines the best with the best. There is no compromise. Innovative Liebherr technology meets exceptional high-end design and convenience in a class of their own. Appliances in this series are for those who want to have it all.

### Freshness Technology

EasyFresh on integrated drawer guide

EasyFresh on telescopic rails

EasyFresh on telescopic rails

### Comfort & Flexibility

Divisible glass shelf

Divisible glass shelf

Divisible glass shelf

VarioSafe\*

VarioSafe

VarioSafe

VarioBoxes\*

VarioBoxes

VarioBoxes

Single Egg Tray

Adjustable Egg Tray

Adjustable Egg Tray

Bottle shelf or 3-bottle rack

Bottle shelf

Bottle shelf

Ceiling lighting

LightTower

LightTower

Lighting BioFresh drawer

Lighting BioFresh drawer

Lighting BioFresh drawer

Freezer compartment lighting

Freezer compartment lighting

Freezer compartment lighting

Ice maker lighting

Ice maker lighting

Ice maker lighting

PowerCooling lighting

PowerCooling lighting

PowerCooling lighting

SmartSteel rear wall

SmartSteel rear wall

SmartSteel rear wall

SmartSteel door interior

SmartSteel door interior

SmartSteel door interior

Satin finish glass shelves

Satin finish glass shelves

Satin finish glass shelves

Touch display

Touch & Swipe display

Touch & Swipe display

Recessed handle or slimline door handle with opening mechanism

Slimline door handle with opening mechanism

Recessed handle or slimline door handle with opening mechanism

Integrated

Integrated

Integrated

### Connectivity (SmartDeviceBox)

Integrated

Integrated

Integrated

### Water & Ice

Ice tray or EasyTwist-ice or IceMaker

EasyTwist-ice or IceMaker

IceMaker or EasyTwist-Ice or IceTower\*

InfinitySpring\*

\* Specific models

**Bottom Freezers**



**All Refrigerator**



**All Freezer**



**Wine**



# Key Features



**DuoCooling:**

DuoCooling uses two completely separate refrigeration circuits to ensure no air is exchanged between the refrigerator and freezer compartments. The result: your food is neither dried out nor is odor transferred. This means less waste, shopping less often and saving and enjoying more.



**PowerCooling:**

Want to make sure the cold is distributed as evenly as possible in your refrigerator? If so, the PowerCooling system is just what you need. The fan—as powerful as it is quiet—distributes cold air efficiently throughout the entire refrigeration compartment.



**SuperSilent:**

Shh— listen carefully. Your Liebherr is so quiet that you have to strain your ears to hear it. How is this possible? All of our refrigeration components such as compressors, valves, fans and evaporators are optimized and perfectly adapted to one another. This means you only hear what you want to hear in your kitchen.



**LightTower:**

Enjoy an optimally illuminated interior: the LightTower shows off your food and is positioned so that your fully stocked refrigerator is illuminated at all times. The flush mounting of the LightTower in the side walls means there is also more space for your food.



**InfinitySpring:**

A source of fresh, cool drinking water in your kitchen. InfinitySpring sounds like something from a fairytale. The water dispenser enables drip-free water dispensing and provides fresh, cold water. Simply press the panel with your carafe or glass and enjoy. This also means you get to save on purchasing water bottles and live more sustainably.



**SmartSteel rear wall:**

The high-quality, stainless-steel back wall is both eye-catching and highly functional. The interior stainless-steel rear wall protects foods from freezing against the fresh food evaporator, ensuring that the back of the refrigerator is always drip-free.



**BioFresh with HydroBreeze:**

Do you want to cool fruit and vegetables like professionals? You'll be inspired by HydroBreeze. The cold mist combined with a temperature in the safe of around 32° F (0 °C) gives food that extra boost for longer shelf life. And it creates a genuine visual wow effect. HydroBreeze is activated every 90min. for 4 seconds and for 8 seconds when the door is opened.



**Fish & Seafood-Safe:**

Love fish? Your Liebherr keeps fish fresh! The Fish & Seafood Safe stores fish and seafood at the optimum temperature of 28° F (-2°C) zone as much as you want - and store the remaining meat and dairy products at the optimum 32° F (0 °C). An LED display indicates that the 28° F (-2°C) zone is currently active.



**EasyFresh:**

Our EasyFresh-Safe offers the guarantee of market freshness in your home. Whether it's unpackaged vegetables or fruit, it ensures everything is optimally stored. Thanks to the air-tight closure, the food causes the humidity in the safe to rise. This keeps the food fresh for a long time.



**VarioTemp**

VarioTemp means you have plenty of scope when storing food in your fridge freezer. This is because you can also set the accurate temperature in the freezer compartment in a range between 28° F and 57° F (-2° C and 14° C) - and therefore also use this compartment as a further cooling zone. For example, it can be used over the short term for drinks and snacks at parties - or over the long term as a cellar compartment for storing potatoes.



**IceMaker:**

Are there any ice cubes left? An IceMaker means you never have to ask. With the IceMaker with a fixed water connection, the water comes directly from the tap. The Max Ice function allows you to produce up to three pounds of ice cubes a day. The ice cube separator helps to divide the drawer into any size you want—for example, ice cubes on the left, ice cream on the right, or just a full drawer for ice.



**IceTower:**

You will never run out of cold drinks at your party. The IceTower, which holds 17.6 lbs (8kg) of ice cubes, makes sure of that. The ice cube scoop and the pull-out tray on telescopic rails allow easy access to the ice cubes. An extra insert tray means room for frozen food underneath. the adjacent drawer provides storage space for frozen goods.



# C5740IM



## Available Accessories:

- FreshAir activated charcoal filter

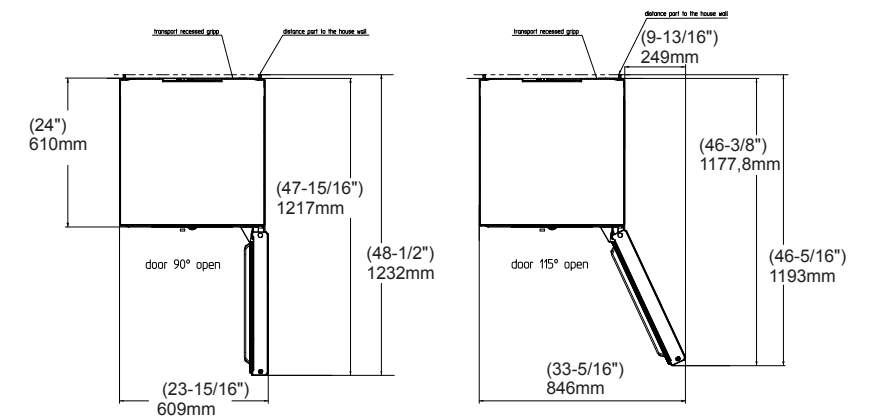
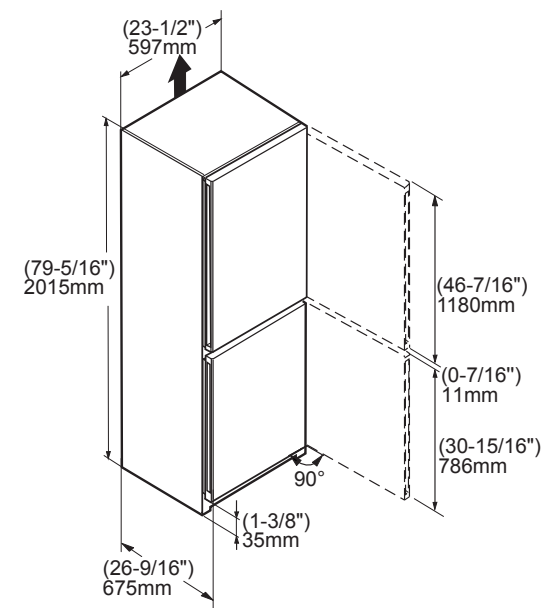


Energy consumption (kWh/y)	370
Estimated Yearly Energy Cost in US \$	52
Sound rating dB(A)	35
Total capacity cu.ft. (l)	12.8 (362)
Refrigerator capacity cu.ft. (l)	9.1 (258)
BioFresh compartment cu.ft. (l)	N/A
Freezer capacity cu.ft. (l)	3.7 (104)
Electronic control	Touch display
Defrost type	Automatic
Interior light	Ceiling LED
Number of shelves	5 + VarioSafe
Number of door racks	4
Number of FrostSafe drawers	3
Number of EasyFresh drawers	1
Refrigerator Temperature range °F (°C)	34 to 46°F to -15°F (2°C to -9°C)
Freezer Temperature range °F (°C)	5 to -15°F (-15 to -26°C)
Water Filter	No
Internal Water Dispenser	No
Ice maker	Fixed water connection
Ice cube output lbs. (kg.)	2.6 (1.2)
Ice cube stock lbs. (kg.)	11.9 (5.4)
Door hinges	Right, reversible
<b>Product dimensions</b>	
in inch (H/W/D)	79 5/16 / 23 1/2 / 26 9/16
in cm (H/W/D)	201.5 / 59.7 / 67.5
<b>Cut out dimensions</b>	
in inch (H/W/D)	80 / 24 / 24
in cm (H/W/D)	203.2 / 60.9 / 60.9
Net weight lbs. (kg)	198.4 (90)
Voltage V/Hz	115/60

\* Estimated energy cost will depend on utility rates and use. Estimated energy cost based on a national average electricity cost of 14 cents per kWh.

\*\* Noise output – according to EN 60704-3.

## Product Dimensions

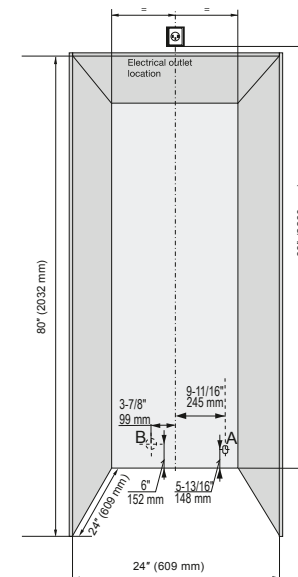


Allow door swing clearance at locations next to a wall. If the appliance is installed with the hinges next to a wall, the distance between the appliance and the wall must be at least 1/2" (13mm)

The refrigerator door must open to a minimum of 90° to allow the crispers to open and the shelves to be removed. There is no 90° door limiter available for this model.

Height can be increased by 3/8" (10mm) by turning the levelling feet at the front and the height adjustable rollers at the appliance rear.

## Semi built-in look – Cutout Dimensions



The appliances can be used freestanding or semi built-in. If semi built-in, consider the minimum cabinet opening dimensions specified on this image.

For ventilation requirements, please follow instructions on section Ventilation Requirements, page 36.

The power cord exists the rear of the appliances (A) right side and has a length of 6.5 ft (2m). We suggest the electrical outlet not to be located behind the appliance, so it is easily accessible. This can be located on top of the niche like shown on the image or on the side.

Do not install the shut-off valve for the water supply behind the appliance, to allow access to shut off without having to pull out the appliance. The water line lead out position is according to below graphic (B).

# C5250



Energy consumption (kWh/y)	288
Estimated Yearly Energy Cost in US \$	40
Sound rating dB(A)	33
Total capacity cu.ft. (l)	11.4 (323)
Refrigerator capacity cu.ft. (l)	7.8 (220)
BioFresh compartment cu.ft. (l)	N/A
Freezer capacity cu.ft. (l)	3.6 (103)
Electronic control	Touch & swipe display
Defrost type	Automatic
Interior light	LightTower
Number of shelves	4 + VarioSafe
Number of door racks	2 + VarioBox
Number of EasyFresh drawers	1
Number of FrostSafe drawers	3
Refrigerator Temperature range °F (°C)	+34°F to +46°F (+2°C to +9°C)
Freezer Temperature range °F (°C)	+5°F to -15°F (-15°C to -26°C)
Internal Water Dispenser	No
Water filter	No
Ice maker	EasyTwist-Ice
Ice cube output lbs. (kg.)	20 ice cubes per batch
Ice cube stock lbs. (kg.)	40 ice cubes
Door hinges	right, reversible
<b>Product dimensions</b>	
in inch (H/W/D)	73 1/16 / 23 1/2 / 26 9/16
in cm (H/W/D)	185.5 / 59.7 / 67.5
<b>Cut out dimensions</b>	
in inch (H/W/D)	74 / 24 / 24
in cm (H/W/D)	188 / 60.9 / 60.9
Net weight lbs. (kg)	198.4 (90)
Voltage V/Hz	115/60

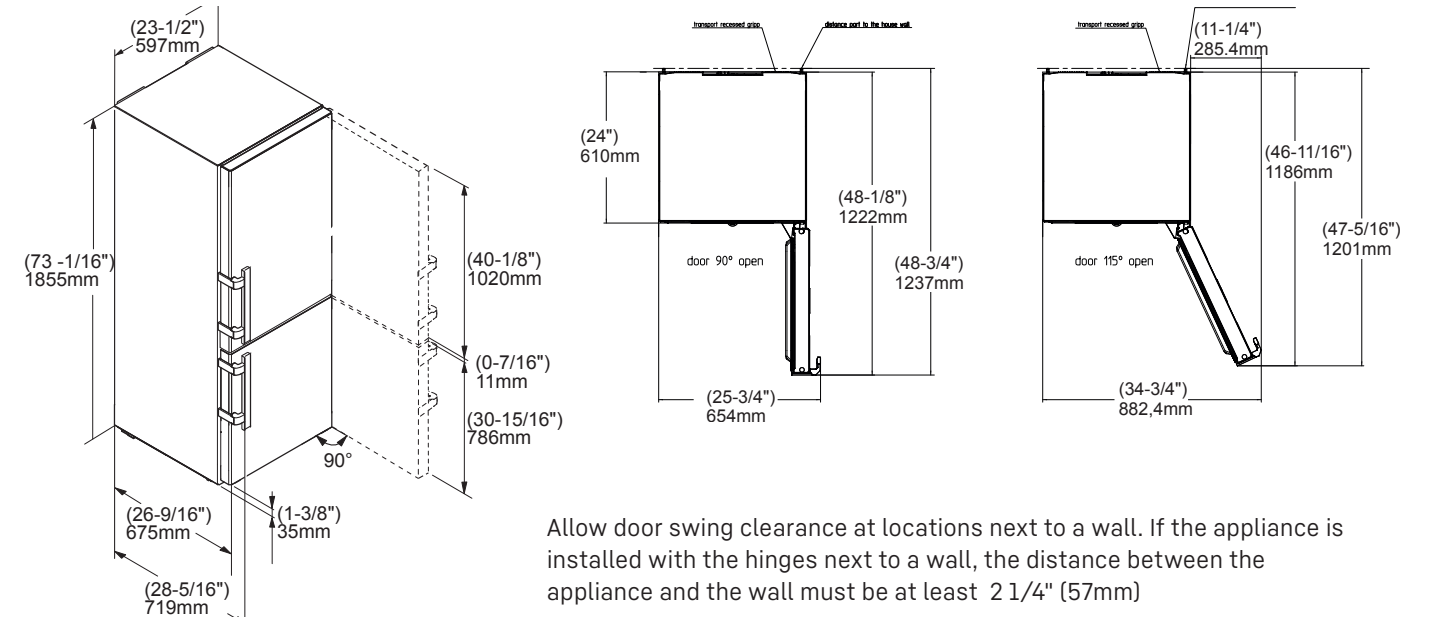
\* Estimated energy cost will depend on utility rates and use. Estimated energy cost based on a national average electricity cost of 14 cents per kWh.

\*\* Noise output - according to EN 60704-3.

## Available Accessories:

- FreshAir activated charcoal filter
- Door opening limitation

## Product Dimensions

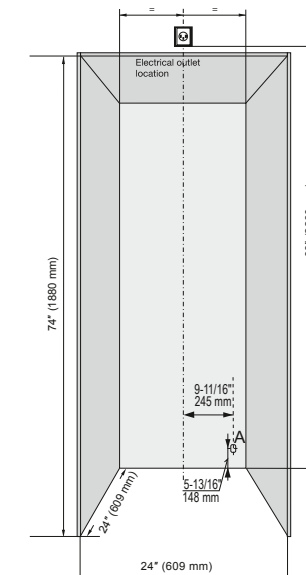


Allow door swing clearance at locations next to a wall. If the appliance is installed with the hinges next to a wall, the distance between the appliance and the wall must be at least 2 1/4\" (57mm)

The refrigerator door must open to a minimum of 90° to allow the crispers to open and the shelves to be removed. There is no 90° door limiter available for this model.

Height can be increased by 3/8\" (10mm) by turning the levelling feet at the front and the height adjustable rollers at the appliance rear.

## Semi built-in look – Cutout Dimensions



The appliances can be used freestanding or semi built-in. If semi built-in, consider the minimum cabinet opening dimensions specified on this image.

For ventilation requirements, please follow instructions on section Ventilation Requirements, page 36.

The power cord exists the rear of the appliances (A) right side and has a length of 6.5 ft (2m). We suggest the electrical outlet not to be located behind the appliance, so it is easily accessible. This can be located on top of the niche like shown on the image or on the side.

# SC5781



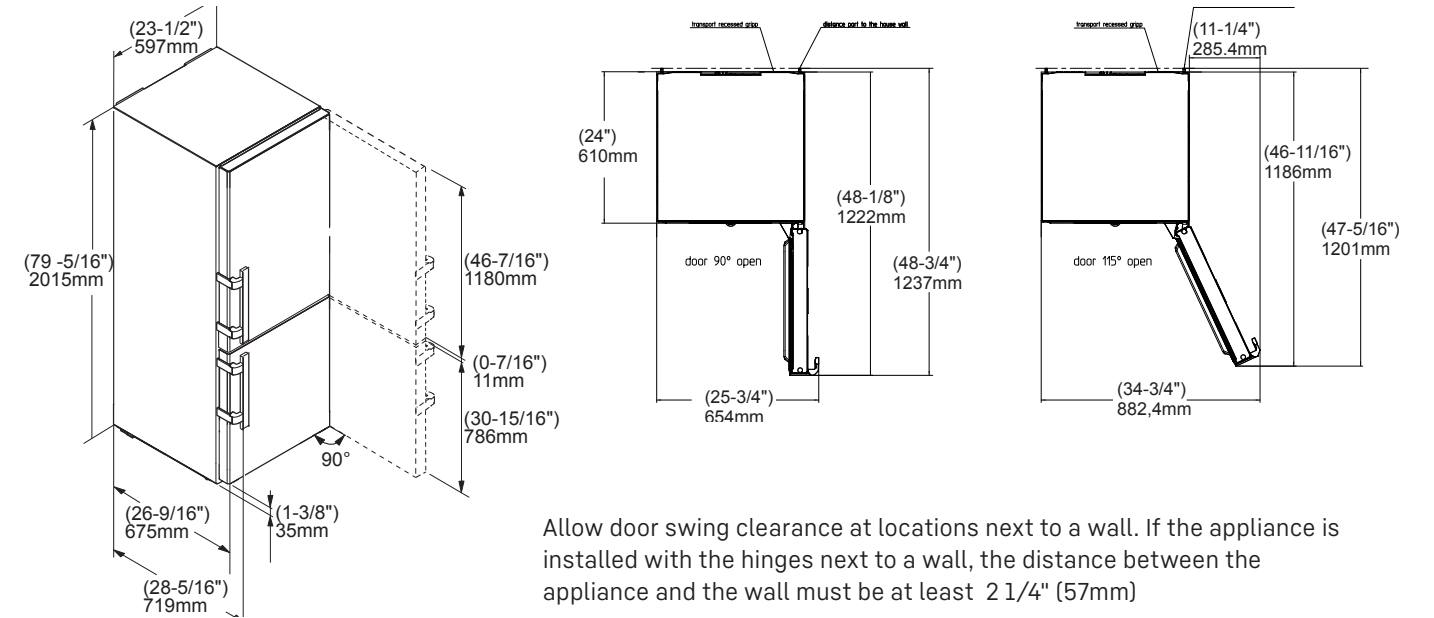
Energy consumption (kWh/y)	300
Estimated Yearly Energy Cost in US \$	42
Sound rating dB(A)	33
Total capacity cu.ft. (l)	12.8 (363)
Refrigerator capacity cu.ft. (l)	9.1 (259)
BioFresh compartment cu.ft. (l)	N/A
Freezer capacity cu.ft. (l)	3.7 (104)
Electronic control	Touch & swipe display
Defrost type	Automatic
Interior light	LightTower
Number of shelves	5 + VarioSafe
Number of door racks	3 + VarioBox
Number of EasyFresh drawers	1
Number of FrostSafe drawers	3
Refrigerator Temperature range °F (°C)	+34°F to +46°F (+2°C to +9°C)
Freezer Temperature range °F (°C)	+5°F to -15°F (-15°C to -26°C)
Internal Water Dispenser	No
Water filter	No
Ice maker	EasyTwist-Ice
Ice cube output lbs. (kg.)	20 ice cubes per batch
Ice cube stock lbs. (kg.)	40 ice cubes
Door hinges	left, reversible
<b>Product dimensions</b>	
in inch (H/W/D)	79 5/16 / 23 1/2 / 26 9/16
in cm (H/W/D)	201.5 / 59.7 / 67.5
<b>Cut out dimensions</b>	
in inch (H/W/D)	80 / 24 / 24
in cm (H/W/D)	203.2 / 60.9 / 60.9
Net weight lbs. (kg)	164 (74.4)
Voltage V/Hz	115/60

\* Estimated energy cost will depend on utility rates and use. Estimated energy cost based on a national average electricity cost of 14 cents per kWh.  
 \*\* Noise output – according to EN 60704-3.

## Available Accessories:

- FreshAir activated charcoal filter
- Door opening limitation
- Side By Side kit for models with handle 80"
- Top Ventilation grill for Side by Side Installation

## Product Dimensions

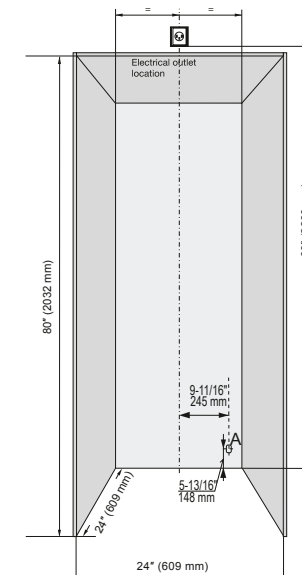


Allow door swing clearance at locations next to a wall. If the appliance is installed with the hinges next to a wall, the distance between the appliance and the wall must be at least 2 1/4" (57mm)

The refrigerator door must open to a minimum of 90° to allow the crispers to open and the shelves to be removed. There is no 90° door limiter available for this model.

Height can be increased by 3/8" (10mm) by turning the levelling feet at the front and the height adjustable rollers at the appliance rear.

## Semi built-in look – Cutout Dimensions



The appliances can be used freestanding or semi built-in. If semi built-in, consider the minimum cabinet opening dimensions specified on this image. For ventilation requirements, please follow instructions on section Ventilation Requirements, page 55.

The power cord exists the rear of the appliances (A) right side and has a length of 6.5 ft (2m). We suggest the electrical outlet not to be located behind the appliance, so it is easily accessible. This can be located on top of the niche like shown on the image or on the side.

# SCB5790IM



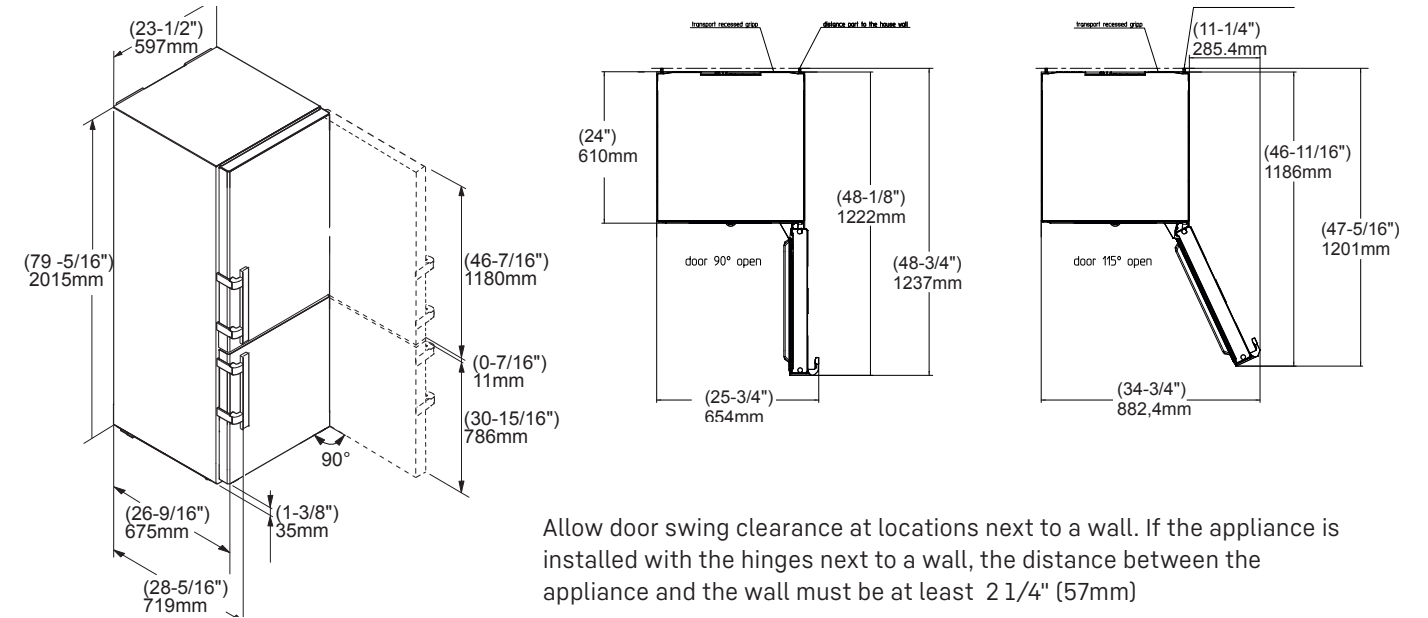
Energy consumption (kWh/y)	370
Estimated Yearly Energy Cost in US \$	52
Sound rating dB(A)	33
Total capacity cu.ft. (l)	12.7 (360)
Refrigerator capacity cu.ft. (l)	5.6 (160)
BioFresh compartment cu.ft. (l)	3.4 (96)
Freezer capacity cu.ft. (l)	3.7 (104)
Electronic control	Touch & swipe display
Defrost type	Automatic
Interior light	LightTower
Number of shelves	3 + VarioSafe
Number of door racks	2 + VarioBox
Number of BioFresh drawers	2
Number of FrostSafe drawers	3
Refrigerator Temperature range °F (°C)	+36°F to +46°F (+3°C to +9°C)
Freezer Temperature range °F (°C)	+5°F to -15°F (-15°C to -26°C)
Internal Water Dispenser	No
Water filter	No
Ice maker	Fixed water connection
Ice cube output lbs. (kg.)	2.6 (1.2)
Ice cube stock lbs. (kg.)	11.9 (5.4)
Door hinges	Right, reversible
<b>Product dimensions</b>	<b>79 5/16 / 23 1/2 / 26 9/16</b>
in inch (H/W/D)	201.5 / 59.7 / 67.5
in cm (H/W/D)	
<b>Cut out dimensions</b>	<b>80 / 24 / 24</b>
in inch (H/W/D)	203.2 / 60.9 / 60.9
in cm (H/W/D)	374 (170)
Net weight lbs. (kg)	115/60
Voltage V/Hz	

\* Estimated energy cost will depend on utility rates and use. Estimated energy cost based on a national average electricity cost of 14 cents per kWh.  
 \*\* Noise output – according to EN 60704-3.

## Available Accessories:

- FreshAir activated charcoal filter
- Door opening limitation
- Side By Side kit for models with handles 80"
- Top Ventilation grill for Side by Side Installation

## Product Dimensions

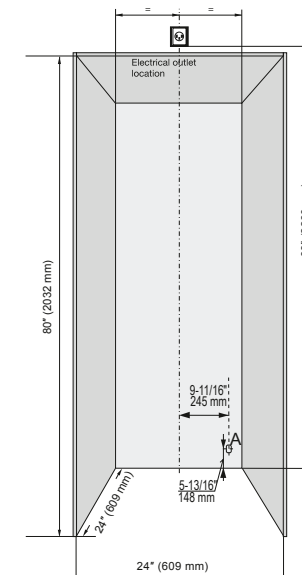


Allow door swing clearance at locations next to a wall. If the appliance is installed with the hinges next to a wall, the distance between the appliance and the wall must be at least 2 1/4" (57mm)

The refrigerator door must open to a minimum of 90° to allow the crispers to open and the shelves to be removed. There is no 90° door limiter available for this model.

Height can be increased by 3/8" (10mm) by turning the levelling feet at the front and the height adjustable rollers at the appliance rear.

## Semi built-in look – Cutout Dimensions



The appliances can be used freestanding or semi built-in. If semi built-in, consider the minimum cabinet opening dimensions specified on this image. For ventilation requirements, please follow instructions on section Ventilation Requirements, page 55.

The power cord exists the rear of the appliances (A) right side and has a length of 6.5 ft (2m). We suggest the electrical outlet not to be located behind the appliance, so it is easily accessible. This can be located on top of the niche like shown on the image or on the side.

Do not install the shut-off valve for the water supply behind the appliance, to allow access to shut off without having to pull out the appliance. The water line lead out position is according to below graphic (B).

# SC7520



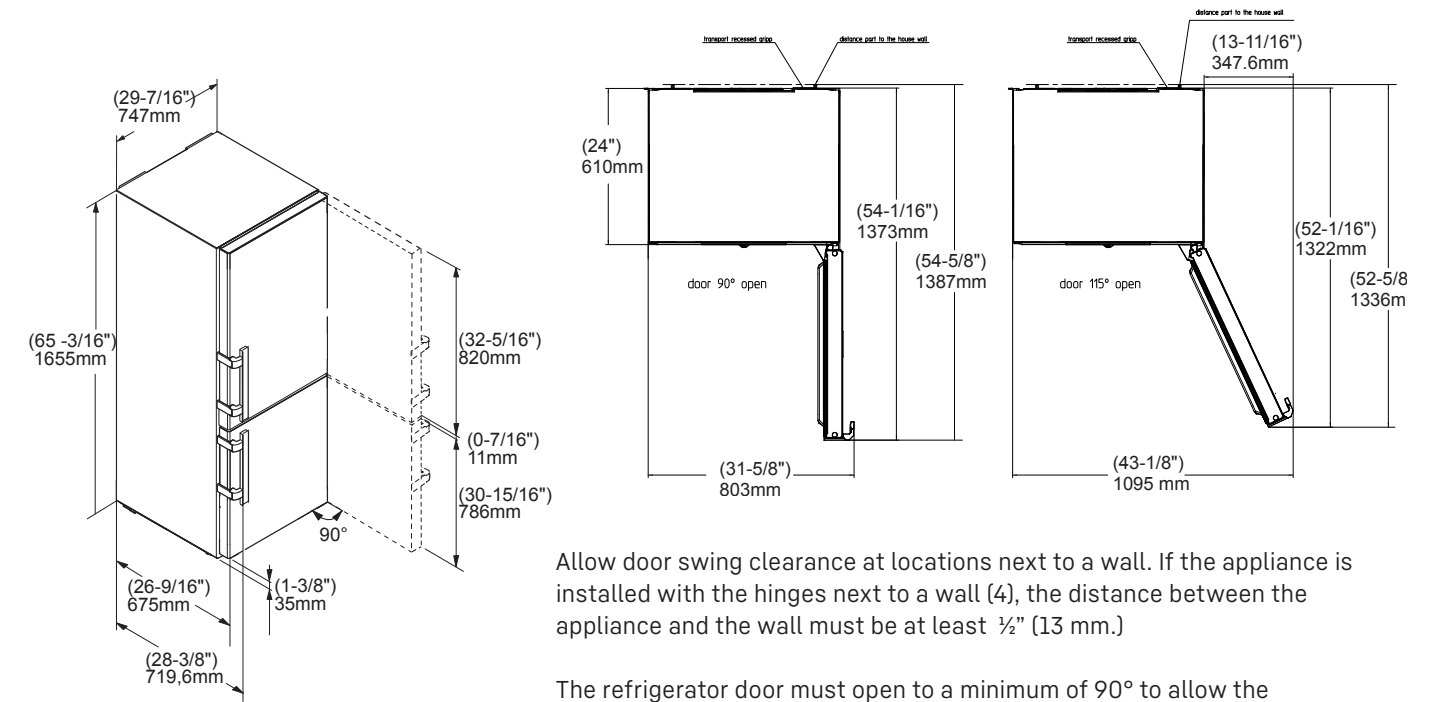
Energy consumption (kWh/y)	295
Estimated Yearly Energy Cost in US \$	41
Sound rating dB(A)	36
Total capacity cu.ft. (l)	12.8 (362)
Refrigerator capacity cu.ft. (l)	7.9 (224)
Freezer capacity cu. ft. (l)	4.9 (138)
Electronic control	Touch display
Defrost type	Automatic
Interior light	Ceiling LED
Number of shelves	4
Number of door racks	2 + VarioBox
Number of EasyFresh drawers	1
Number of freezer drawers	3
Refrigerator Temperature range °F (°C)	34 to 46°F ( 2 to 9°C)
Freezer temperature range °F (°C)	5 to -15°F (-15 to -26°C)
Internal Water Dispenser	No
Water filter	No
IceMaker	No
Ice cube output lbs. (kg)/24h	-
Ice cube stock lbs. (kg)	-
Door hinges	Right, reversible
<b>Product dimensions</b>	
in inch (H/W/D)	65 3/16 / 29 7/16 / 26 5/8
in cm (H/W/D)	165.5 / 74.5 / 67.5
<b>Cut out dimensions</b>	
in inch (H/W/D)	66 / 30 / 24
in cm (H/W/D)	168 / 76.2 / 60.9
Net weight lbs. (kg)	198.4 (90)
Voltage V/Hz	115/60

\* Estimated energy cost will depend on utility rates and use. Estimated energy cost based on a national average electricity cost of 14 cents per KWh.  
 \*\* Noise output – according to EN 60704-3.

## Available Accessories:

- FreshAir activated charcoal filter
- Side By Side kit for models with handle 65"
- 60" Top Ventilation grill for Side by Side Installation

## Product Dimensions

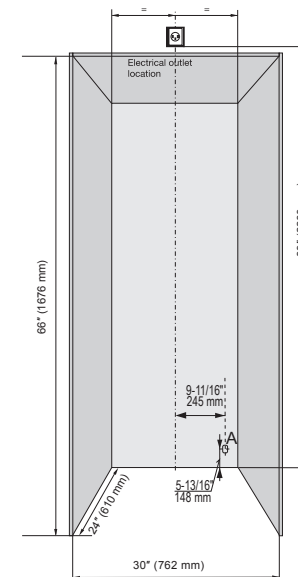


Allow door swing clearance at locations next to a wall. If the appliance is installed with the hinges next to a wall (4), the distance between the appliance and the wall must be at least 1/2" (13 mm.)

The refrigerator door must open to a minimum of 90° to allow the crispers to open and the shelves to be removed. There is no 90° door limiter available for this model.

Height can be increased by 3/8" (10mm) by turning the levelling feet at the front and the height adjustable rollers at the appliance rear.

## Semi built-in look – Cutout Dimensions



The appliances can be used freestanding or semi built-in. If semi built-in, consider the minimum cabinet opening dimensions specified on this image. For ventilation requirements, please follow instructions on section Ventilation Requirements, page 55

The power cord exists the rear of the appliances (A) right side and has a length of 6.5 ft (2m). We suggest the electrical outlet not to be located behind the appliance, so it is easily accessible. This can be located on top of the niche like shown on the image or on the side.

# C7540IM & SC7541IM



Energy consumption (kWh/y)	386
Estimated Yearly Energy Cost in US \$	54
Sound rating dB(A)	36
Total capacity cu.ft. (l)	12.8 (363)
Refrigerator capacity cu.ft. (l)	7.9 (224)
BioFresh compartment cu.ft. (l)	-
Freezer capacity cu. ft. (l)	4.9 (139)
Electronic control	Touch display
Defrost type	Automatic
Interior light	Ceiling LED
Number of shelves	4
Number of door racks	2 + VarioBox
Number of EasyFresh drawers	1
Number of freezer drawers	3
Refrigerator Temperature range °F (°C)	34 to 46°F ( 2 to 9°C)
Freezer temperature range °F (°C)	5 to -15°F (-15 to -26°C)
Internal Water Dispenser	No
Water filter	No
IceMaker	Fixed water connection
Ice cube output lbs. (kg)/24h	2.6 (1.2)
Ice cube stock lbs. (kg)	11.9 (5.4)
Door hinges	Right or Left, reversible

Product dimensions	
in inch (H/W/D)	65 3/16 / 29 7/16 / 26 5/8
in cm (H/W/D)	165.5 / 74.5 / 67.5
Cut out dimensions	
in inch (H/W/D)	66 / 30 / 24
in cm (H/W/D)	168 / 76.2 / 60.9
Net weight lbs. (kg)	198.4 (90)
Voltage V/Hz	115/60

\* Estimated energy cost will depend on utility rates and use. Estimated energy cost based on a national average electricity cost of 14 cents per KWh.

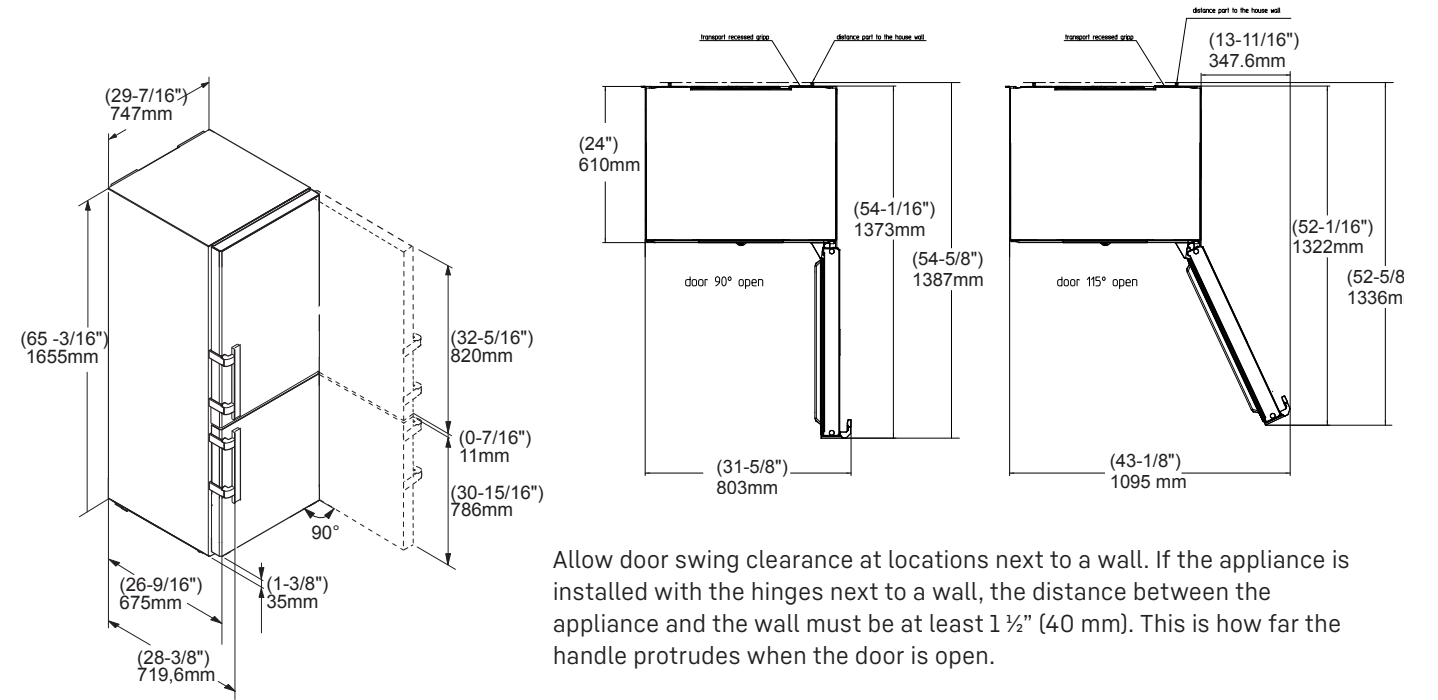
\*\* Noise output – according to EN 60704-3.

## Available Accessories:

- FreshAir activated charcoal filter
- Side By Side kit for models with handle 65"
- 60" Top Ventilation grill for Side by Side Installation

\*\*Only model SC7541IM can be installed side by side

## Product Dimensions

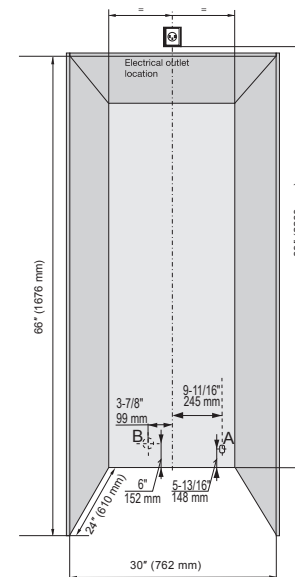


Allow door swing clearance at locations next to a wall. If the appliance is installed with the hinges next to a wall, the distance between the appliance and the wall must be at least 1 1/2" (40 mm). This is how far the handle protrudes when the door is open.

The refrigerator door must open to a minimum of 90° to allow the crispers to open and the shelves to be removed. A 90° door limiter is available for this model as accessory.

Height can be increased by 3/8" (10mm) by turning the levelling feet at the front and the height adjustable rollers at the appliance rear.

## Semi built-in look – Cutout Dimensions



The appliances can be used freestanding or semi built-in. If semi built-in, consider the minimum cabinet opening dimensions specified on this image.

For ventilation requirements, please follow instructions on section Ventilation Requirements, page 55.

The power cord exists the rear of the appliances (A) right side and has a length of 6.5 ft (2m). We suggest the electrical outlet not to be located behind the appliance, so it is easily accessible. This can be located on top of the niche like shown on the image or on the side.

Do not install the shut-off valve for the water supply behind the appliance, to allow access to shut off without having to pull out the appliance. The water line lead out position is according to below graphic (B).

# C7620



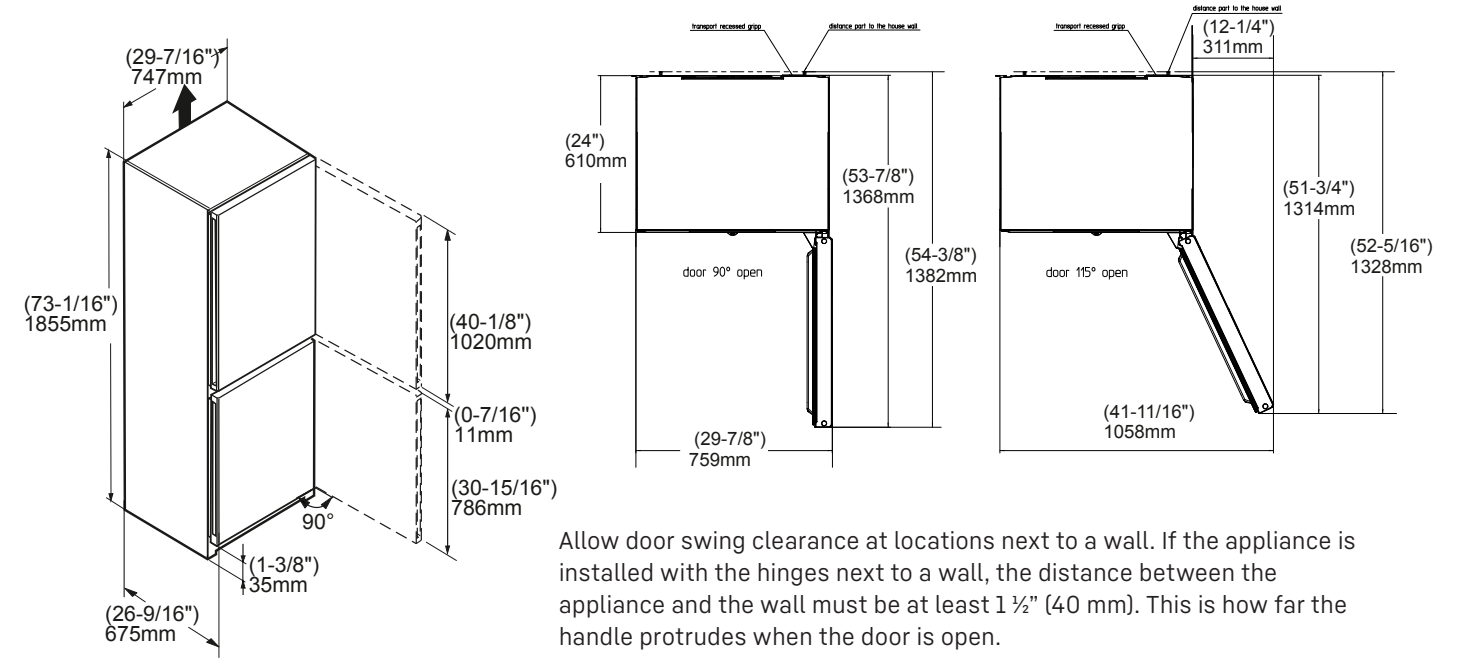
Energy consumption (kWh/y)	305
Estimated Yearly Energy Cost in US \$	43
Sound rating dB(A)	36
Total capacity cu.ft. (l)	15 (425)
Refrigerator capacity cu.ft. (l)	10.1 (287)
BioFresh compartment cu.ft. (l)	-
Freezer capacity cu.ft. (l)	4.9 (138)
Electronic control	Touch display
Defrost type	Automatic
Interior light	Ceiling LED
Number of shelves	4
Number of door racks	2 + VarioBox
Number of EasyFresh drawers	1
Number of freezer drawers	3
Refrigerator Temperature range °F (°C)	34 to 46°F ( 2 to 9°C)
Freezer temperature range °F (°C)	5 to -15°F (-15 to -26°C)
Internal Water Dispenser	No
Water filter	No
IceMaker	EasyTwist-Ice
Ice cube output lbs. (kg)/24h	20 ice cubes per batch
Ice cube stock lbs. (kg)	40 ice cubes
Door hinges	Right, reversible
<b>Product dimensions</b>	
in inch (H/W/D)	73 1/16 / 29 7/16 / 26 5/8
in cm (H/W/D)	185.5 / 74.5 / 67.5
<b>Cut out dimensions</b>	
in inch (H/W/D)	74 / 30 / 24
in cm (H/W/D)	188 / 76.2 / 60.9
Net weight lbs. (kg)	198.4 (90)
Voltage V/Hz	115/60

\* Estimated energy cost will depend on utility rates and use. Estimated energy cost based on a national average electricity cost of 14 cents per KWh.  
 \*\* Noise output – according to EN 60704-3.

## Available Accessories:

- FreshAir activated charcoal filter

## Product Dimensions

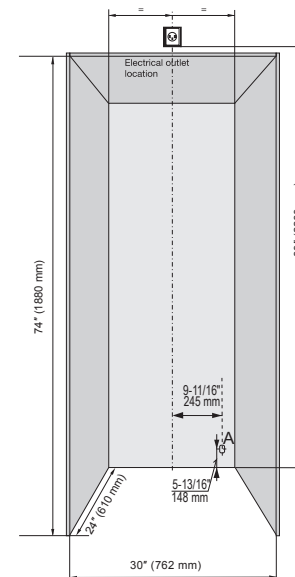


Allow door swing clearance at locations next to a wall. If the appliance is installed with the hinges next to a wall, the distance between the appliance and the wall must be at least 1 1/2" (40 mm). This is how far the handle protrudes when the door is open.

The refrigerator door must open to a minimum of 90° to allow the crispers to open and the shelves to be removed. A 90° door limiter is available for this model as accessory.

Height can be increased by 3/8" (10mm) by turning the levelling feet at the front and the height adjustable rollers at the appliance rear.

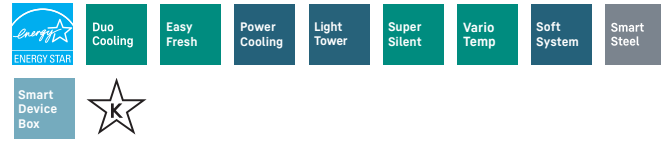
## Semi built-in look – Cutout Dimensions



The appliances can be used freestanding or semi built-in. If semi built-in, consider the minimum cabinet opening dimensions specified on this image. For ventilation requirements, please follow instructions on section Ventilation Requirements, page 55.

The power cord exists the rear of the appliances (A) right side and has a length of 6.5 ft (2m). We suggest the electrical outlet not to be located behind the appliance, so it is easily accessible. This can be located on top of the niche like shown on the image or on the side.

# SC7751



Energy consumption (kWh/y)	354
Estimated Yearly Energy Cost in US \$	50
Sound rating dB(A)	35
Total capacity cu.ft. (l)	16.8 (477)
Refrigerator capacity cu.ft. (l)	12 (339)
BioFresh compartment cu.ft. (l)	-
Freezer capacity cu.ft. (l)	5.9 (139)
Electronic control	Touch & swipe display
Defrost type	Automatic
Interior light	LightTower
Number of shelves	6 + VarioSafe
Number of door racks	2 + VarioBox
Number of EasyFresh drawers	1
Number of freezer drawers	3
Refrigerator Temperature range °F (°C)	34 to 46°F ( 2 to 9°C)
Freezer temperature range °F (°C)	5 to -15°F (-15 to -26°C)
Internal Water Dispenser	No
Water filter	No
IceMaker	EasyTwist-Ice
Ice cube output lbs. (kg)/24h	20 ice cubes per batch
Ice cube stock lbs. (kg)	40 ice cubes
Door hinges	Left, reversible

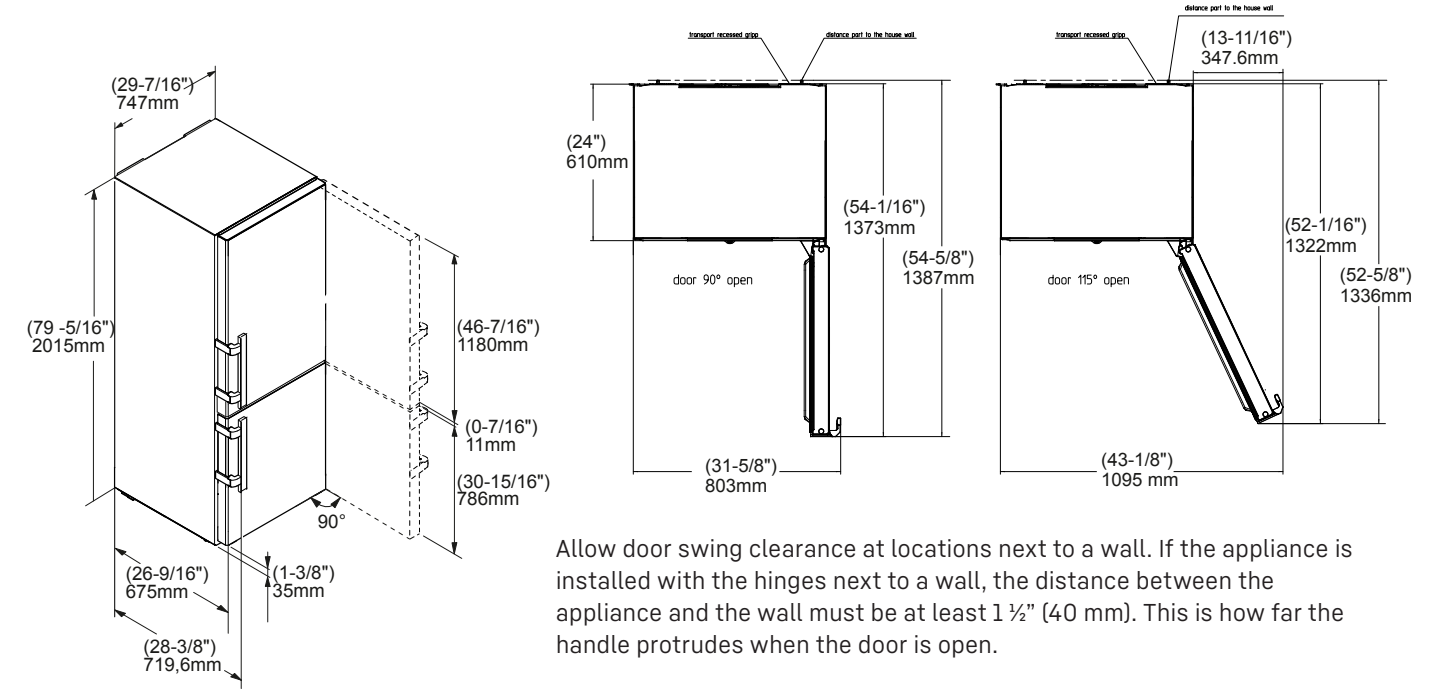
<b>Product dimensions</b>	
in inch (H/W/D)	79 3/8 / 29 7/16 / 26 5/8
in cm (H/W/D)	201.5 / 74.5 / 67.5
<b>Cut out dimensions</b>	
in inch (H/W/D)	80 / 30 / 24
in cm (H/W/D)	203.2 / 76.2 / 60.9
Net weight lbs. (kg)	164 (74.4)
Voltage V/Hz	115/60

\* Estimated energy cost will depend on utility rates and use. Estimated energy cost based on a national average electricity cost of 14 cents per kWh.  
 \*\* Noise output – according to EN 60704-3.

## Available Accessories:

- FreshAir activated charcoal filter
- Door opening limitation
- Side By Side kit for models with handles 80"
- 30" Top Ventilation grill for single unit Installation
- 60" Top Ventilation grill for Side by Side Install

## Product Dimensions

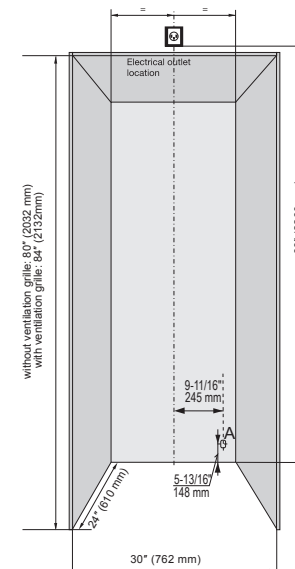


Allow door swing clearance at locations next to a wall. If the appliance is installed with the hinges next to a wall, the distance between the appliance and the wall must be at least 1 1/2" (40 mm). This is how far the handle protrudes when the door is open.

The refrigerator door must open to a minimum of 90° to allow the crispers to open and the shelves to be removed. A 90° door limiter is available for this model as accessory.

Height can be increased by 3/8" (10mm) by turning the levelling feet at the front and the height adjustable rollers at the appliance rear.

## Semi built-in look – Cutout Dimensions



The appliances can be used freestanding or semi built-in. If semi built-in, consider the minimum cabinet opening dimensions specified on this image. For ventilation requirements, please follow instructions on section Ventilation Requirements, page 55.

The power cord exists the rear of the appliances (A) right side and has a length of 6.5 ft (2m). We suggest the electrical outlet not to be located behind the appliance, so it is easily accessible. This can be located on top of the niche like shown on the image or on the side.



# SCB7760IM



Energy consumption (kWh/y)	445
Estimated Yearly Energy Cost in US \$	62
Sound rating dB(A)	35
Total capacity cu.ft. (l)	16.8 (477)
Refrigerator capacity cu.ft. (l)	7.4 (209)
BioFresh compartment cu.ft. (l)	4.5 (127)
Freezer capacity cu.ft. (l)	4.9 (139)
Electronic control	Touch & swipe display
Defrost type	Automatic
Interior light	LightTower
Number of shelves	4 + VarioSafe
Number of door racks	2 + VarioBox
Number of BioFresh drawers	2
Number of freezer drawers	3
Refrigerator Temperature range °F (°C)	37 to 48°F (3 to 9°C)
Freezer temperature range °F (°C)	5 to -15°F (-15 to -26°C)
Internal Water Dispenser	No
Water filter	No
IceMaker	Fixed water connection
Ice cube output lbs. (kg)/24h	2.6 (1.2)
Ice cube stock lbs. (kg)	11.9 (5.4)
Door hinges	Right, reversible

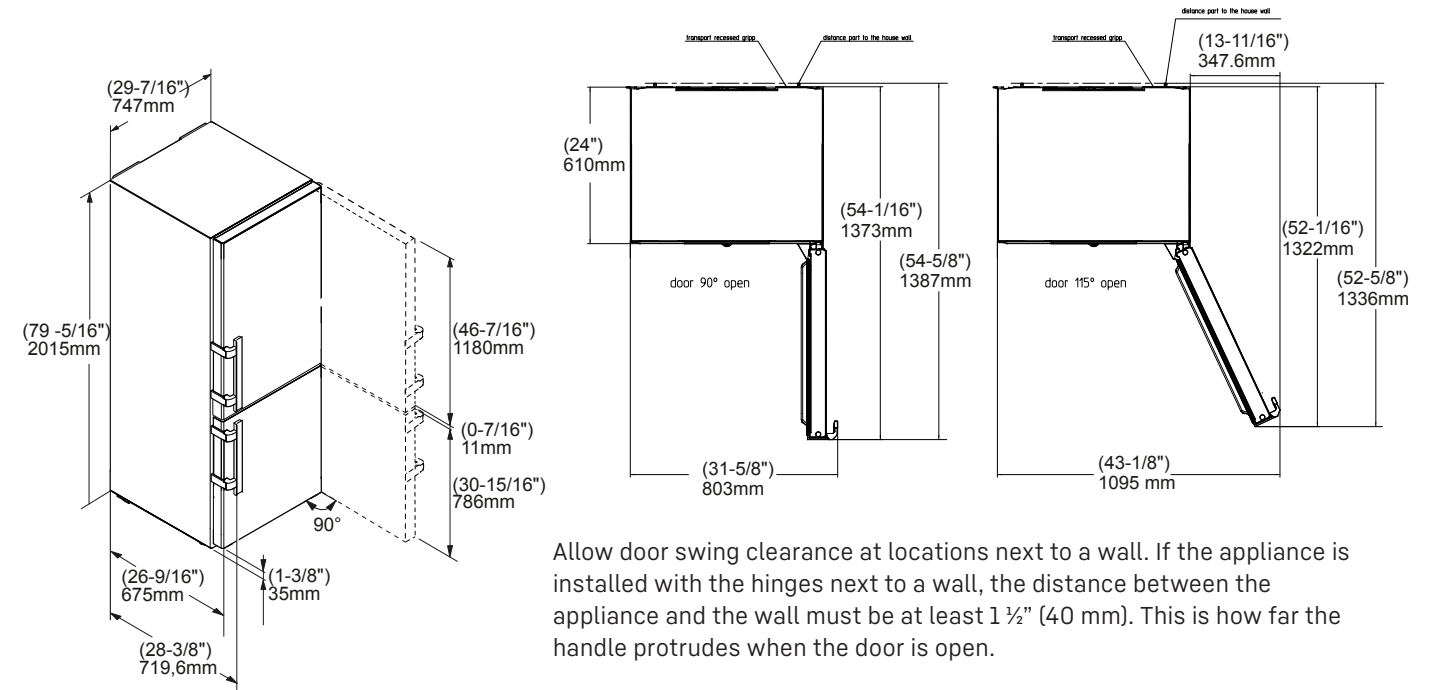
<b>Product dimensions</b>	
in inch (H/W/D)	79 3/8 / 29 7/16 / 26 5/8
in cm (H/W/D)	201.5 / 74.5 / 67.5
<b>Cut out dimensions</b>	
in inch (H/W/D)	80 / 30 / 24
in cm (H/W/D)	203.2 / 76.2 / 60.9
Net weight lbs. (kg)	374.8 (170)
Voltage V/Hz	115/60

\* Estimated energy cost will depend on utility rates and use. Estimated energy cost based on a national average electricity cost of 14 cents per KWH.  
 \*\* Noise output – according to EN 60704-3.

## Available Accessories:

- FreshAir activated charcoal filter
- Door opening limitation
- Side By Side kit for models with handles 80"
- 30" Top Ventilation grill for single unit Installation
- 60" Top Ventilation grill for Side by Side Install

## Product Dimensions

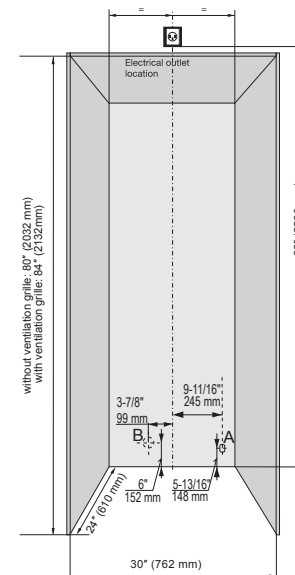


Allow door swing clearance at locations next to a wall. If the appliance is installed with the hinges next to a wall, the distance between the appliance and the wall must be at least 1 1/2" (40 mm). This is how far the handle protrudes when the door is open.

The refrigerator door must open to a minimum of 90° to allow the crispers to open and the shelves to be removed. A 90° door limiter is available for this model as accessory.

Height can be increased by 3/8" (10mm) by turning the levelling feet at the front and the height adjustable rollers at the appliance rear.

## Semi built-in look – Cutout Dimensions



The appliances can be used freestanding or semi built-in. If semi built-in, consider the minimum cabinet opening dimensions specified on this image.

For ventilation requirements, please follow instructions on section Ventilation Requirements, page 55.

The power cord exists the rear of the appliances (A) right side and has a length of 6.5 ft (2m). We suggest the electrical outlet not to be located behind the appliance, so it is easily accessible. This can be located on top of the niche like shown on the image or on the side.

Do not install the shut-off valve for the water supply behind the appliance, to allow access to shut off without having to pull out the appliance. The water line lead out position is according to below graphic (B).

# CB7790IM



Energy consumption (kWh/y)	435
Estimated Yearly Energy Cost in US \$	61
Sound rating dB(A)	35
Total capacity cu.ft. (l)	16.8 (476)
Refrigerator capacity cu.ft. (l)	7.4 (209)
BioFresh compartment cu.ft. (l)	4.5 (128)
Freezer capacity cu.ft. (l)	4.9 (139)
Electronic control	Touch & swipe display
Defrost type	Automatic
Interior light	LightTower
Number of shelves	4 + VarioSafe
Number of door racks	2 + VarioBox
Number of BioFresh drawers	2
Number of freezer drawers	3
Refrigerator Temperature range °F (°C)	37 to 48°F (3 to 9°C)
Freezer temperature range °F (°C)	5 to -15°F (-15 to -26°C)
Internal Water Dispenser	Yes
Water filter	Yes
IceMaker	Fixed water connection
Ice cube output lbs. (kg)/24h	2.6 (1.2)
Ice cube stock lbs. (kg)	11.9 (5.4)
Door hinges	Right, reversible

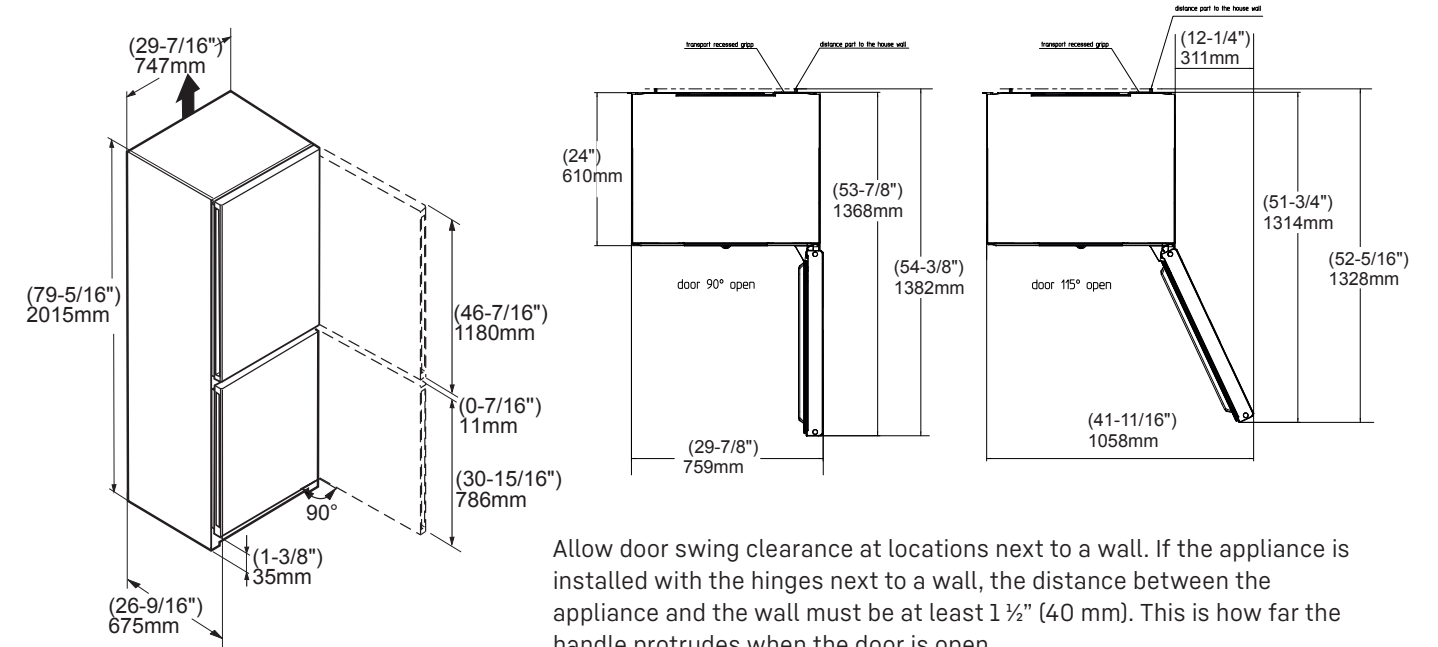
<b>Product dimensions</b>	
in inch (H/W/D)	79 3/8 / 29 7/16 / 26 5/8
in cm (H/W/D)	201.5 / 74.5 / 67.5
<b>Cut out dimensions</b>	
in inch (H/W/D)	80 / 30 / 24
in cm (H/W/D)	203.2 / 76.2 / 60.9
Net weight lbs. (kg)	374.8 (170)
Voltage V/Hz	115/60

\* Estimated energy cost will depend on utility rates and use. Estimated energy cost based on a national average electricity cost of 14 cents per KWH.  
 \*\* Noise output – according to EN 60704-3.

## Available Accessories:

- FreshAir activated charcoal filter
- Water filter
- Door opening limitation
- 30" Top Ventilation Grill

## Product Dimensions

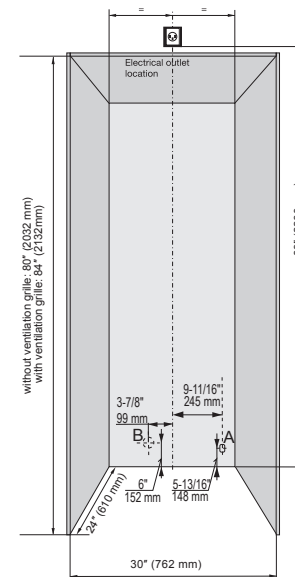


Allow door swing clearance at locations next to a wall. If the appliance is installed with the hinges next to a wall, the distance between the appliance and the wall must be at least 1 1/2" (40 mm). This is how far the handle protrudes when the door is open.

The refrigerator door must open to a minimum of 90° to allow the crispers to open and the shelves to be removed. A 90° door limiter is available for this model as accessory.

Height can be increased by 3/8" (10mm) by turning the levelling feet at the front and the height adjustable rollers at the appliance rear.

## Semi built-in look – Cutout Dimensions



The appliances can be used freestanding or semi built-in. If semi built-in, consider the minimum cabinet opening dimensions specified on this image. For ventilation requirements, please follow instructions on section Ventilation Requirements, page 55.

The power cord exists the rear of the appliances (A) right side and has a length of 6.5 ft (2m). We suggest the electrical outlet not to be located behind the appliance, so it is easily accessible. This can be located on top of the niche like shown on the image or on the side.

Do not install the shut-off valve for the water supply behind the appliance, to allow access to shut off without having to pull out the appliance. The water line lead out position is according to below graphic (B).

# SRB5290



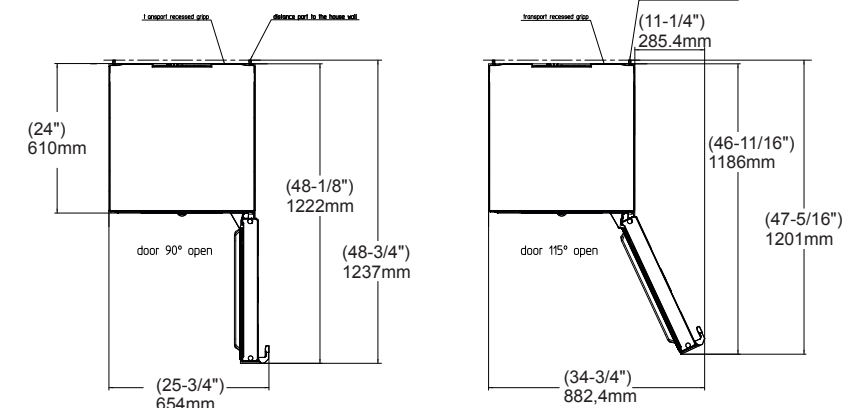
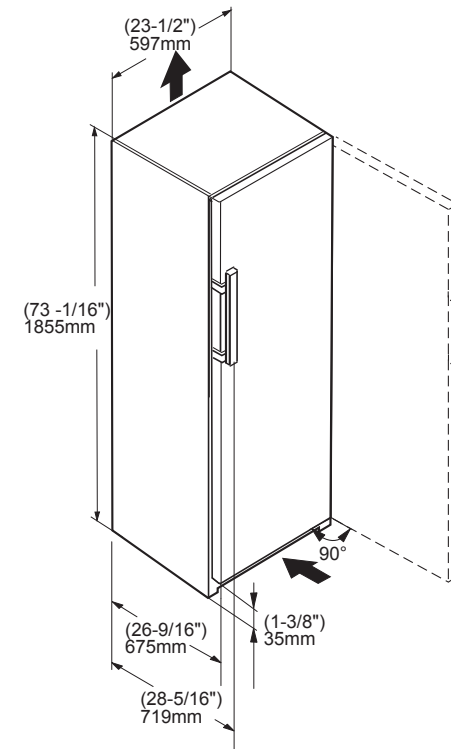
Energy consumption (kWh/y)	200
Estimated Yearly Energy Cost in US \$	28
Sound rating dB(A)	34
Total capacity cu.ft. (l)	13.7 (387)
Refrigerator capacity cu.ft. (l)	8.7 (246)
BioFresh compartment cu.ft. (l)	141
Electronic control	Touch & swipe display
Defrost type	Automatic
Interior light	LightTower
Number of shelves	5 + VarioSafe
Number of door racks	4 + VarioBox
Number of BioFresh drawers	3
BioFresh Professional	HydroBreeze
Activated charcoal filter	Yes
Refrigerator Temperature range °F (°C)	+36°F to +46°F (+3°C to +9°C)
Internal Water Dispenser	Yes
Water filter	Yes
Door hinges	Right, reversible
<b>Product dimensions</b>	
in inch (H/W/D)	73 1/16 / 23 1/2 / 26 9/16
in cm (H/W/D)	185.5 / 59.7 / 67.5
<b>Cut out dimensions</b>	
in inch (H/W/D)	74 / 24 / 24
	22 1/2   21 11/16
in cm (H/W/D)	188 / 60.9 / 60.9
Net weight lbs. (kg)	172 (78)
Voltage V/Hz	115/60

\* Estimated energy cost will depend on utility rates and use. Estimated energy cost based on a national average electricity cost of 14 cents per KWh.  
 \*\* Noise output – according to EN 60704-3.

## Available Accessories:

- FreshAir activated charcoal filter
- Water filter
- Door opening limitation
- Ventilation Top grill

## Product Dimensions

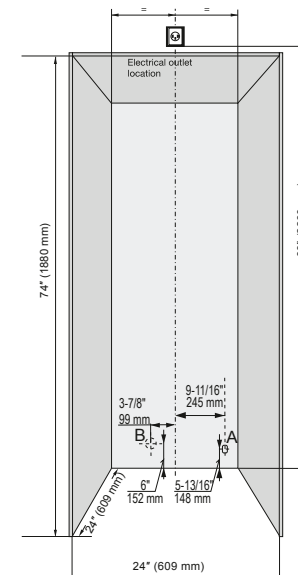


Allow door swing clearance at locations next to a wall. If the appliance is installed with the hinges next to a wall, the distance between the appliance and the wall must be at least 2 1/4" (57mm)

The refrigerator door must open to a minimum of 90° to allow the crispers to open and the shelves to be removed. There is no 90° door limiter available for this model.

Height can be increased by 3/8" (10mm) by turning the levelling feet at the front and the height adjustable rollers at the appliance rear.

## Semi built-in look – Cutout Dimensions



The appliances can be used freestanding or semi built-in. If semi built-in, consider the minimum cabinet opening dimensions specified on this image.

For ventilation requirements, please follow instructions on section Ventilation Requirements, page 55.

The power cord exists the rear of the appliances (A) right side and has a length of 6.5 ft (2m). We suggest the electrical outlet not to be located behind the appliance, so it is easily accessible. This can be located on top of the niche like shown on the image or on the side.

Do not install the shut-off valve for the water supply behind the appliance, to allow access to shut off without having to pull out the appliance. The water line lead out position is according to below graphic (B).

# SF5291



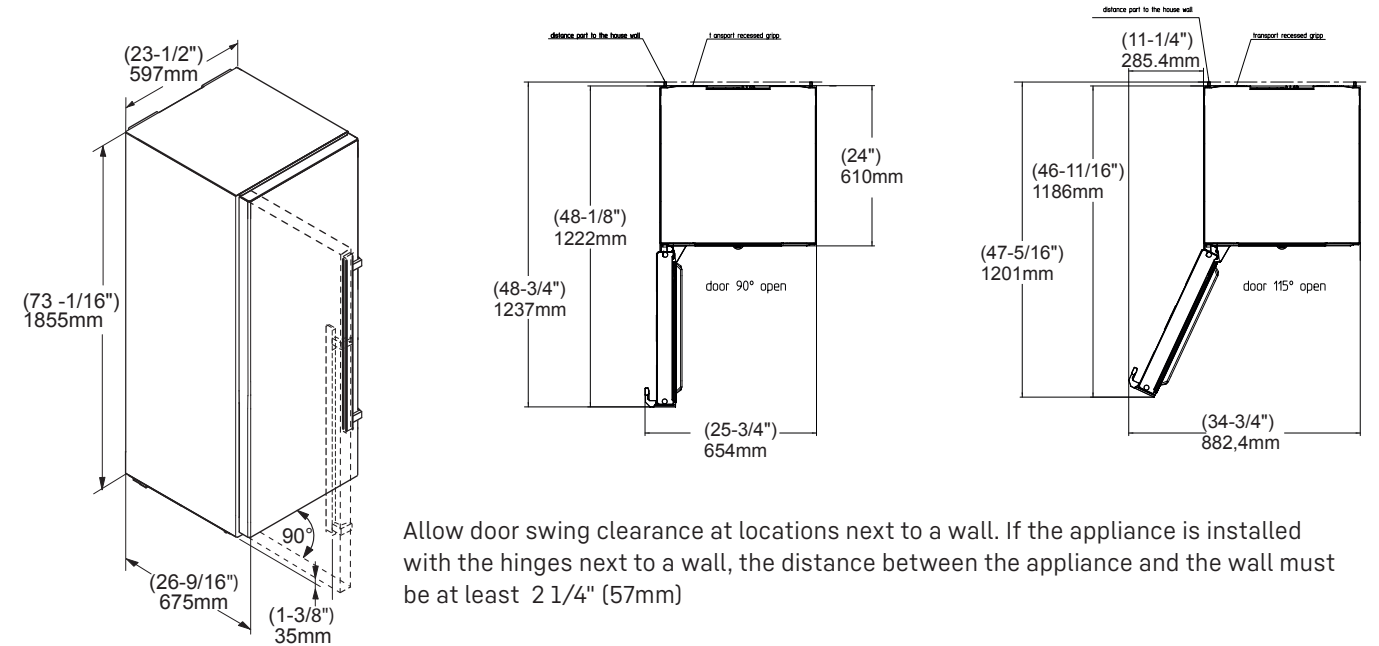
Energy consumption (kWh/y)	350
Estimated Yearly Energy Cost in US \$	49
Sound rating dB(A)	35
Total capacity cu.ft. (l)	9.8 (278)
Freezer capacity cu.ft. (l)	9.8 (278)
Number of BioFresh drawers	7
Electronic control	Touch & swipe display
Freezer temperature range °F (°C)	5 to -18°F (-15 to -28°C)
Defrost type	Automatic
Interior light	LED
IceMaker	IceTower
Ice cube output lbs. (kg)/24h	2.6 (1.2)
Ice cube stock lbs. (kg)	17.6 (8)
Water filter	No
Door hinges	Left, reversible
<b>Product dimensions</b>	
in inch (H/W/D)	73 1/16 / 23 1/2 / 26 9/16
in cm (H/W/D)	185.5 / 59.7 / 67.5
<b>Cut out dimensions</b>	
in inch (H/W/D)	74 / 24 / 24
in cm (H/W/D)	188 / 60.9 / 60.9
Net weight lbs. (kg)	177 (80.3)
Voltage V/Hz	115/60

\* Estimated energy cost will depend on utility rates and use. Estimated energy cost based on a national average electricity cost of 14 cents per kWh.  
 \*\* Noise output - according to EN 60704-3.

## Available Accessories:

- Door opening limitation
- Ventilation top grill

## Product Dimensions

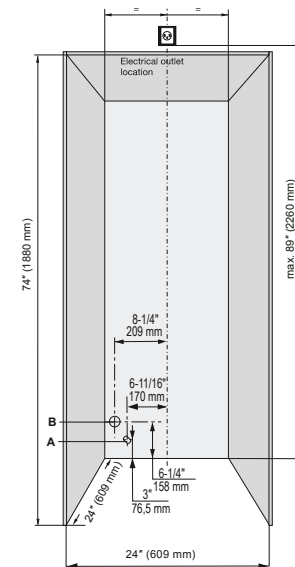


Allow door swing clearance at locations next to a wall. If the appliance is installed with the hinges next to a wall, the distance between the appliance and the wall must be at least 2 1/4" (57mm)

The refrigerator door must open to a minimum of 90° to allow the crispers to open and the shelves to be removed. There is no 90° door limiter available for this model.

Height can be increased by 3/8" (10mm) by turning the levelling feet at the front and the height adjustable rollers at the appliance rear.

## Semi built-in look – Cutout Dimensions



The appliances can be used freestanding or semi built-in. If semi built-in, consider the minimum cabinet opening dimensions specified on this image. For ventilation requirements, please follow instructions on section Ventilation Requirements, page 55.

The power cord exists the rear of the appliances (A) right side and has a length of 6.5 ft (2m). We suggest the electrical outlet not to be located behind the appliance, so it is easily accessible. This can be located on top of the niche like shown on the image or on the side.

Do not install the shut-off valve for the water supply behind the appliance, to allow access to shut off without having to pull out the appliance. The water line lead out position is according to below graphic (B).

# W5250



2 Zones	Vibrate Safe	UV Protect Plus	Temp Protect Plus	Humidity Select	Super Silent	Smart Device Box	
Energy consumption (kWh/y)		-					
Sound rating dB(A)		37					
Total capacity cu.ft. (l)		13 (368)					
Max. No. of Bordeaux bottles (0.75cl)		155					
Number of wine racks		8					
Shelves on telescopic rails		0					
Shelf material		Metal with wooden trim					
Presentation shelf		-					
Electronic control		Touch display					
Temperature range °F (°C)		41 to 68°F (5 to 20°C)					
Temperature zones		2					
Temperature alarm		Yes					
Humidity regulation		HumiditySelect					
Interior light		LED Ceiling Light					
Door alarm		Yes					
Safety thermostat		Yes					
Activated charcoal filter		Yes					
Door lock		No					
Door hinges		Right, reversible					
<b>Product dimensions</b>							
in inch (H/W/D)		73 1/16 / 29 7/16 / 26 5/8					
in cm (H/W/D)		185.5 / 59.7 / 67.5					
<b>Cut out dimensions</b>							
in inch (H/W/D)		74 / 24 / 24					
in cm (H/W/D)		188 / 60.9 / 60.9					
Net weight lbs. (kg)		-					
Voltage V/Hz		115/60					

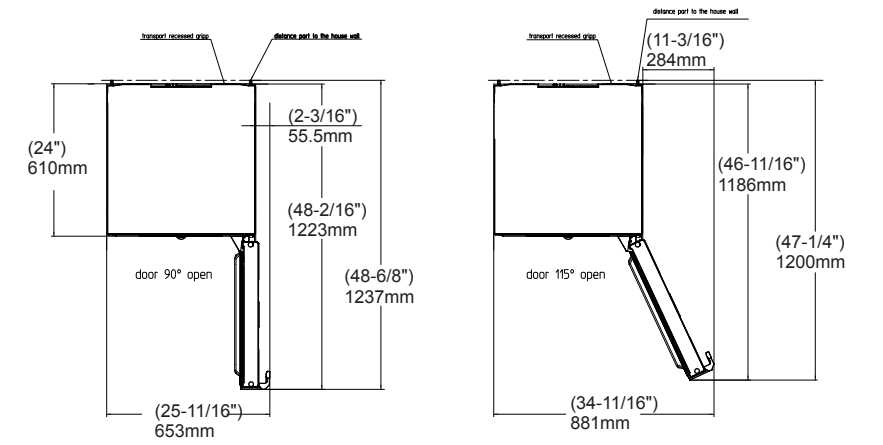
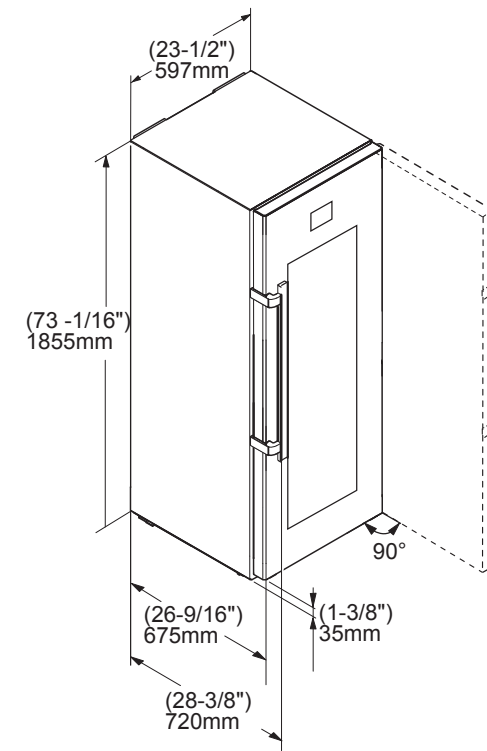
## Available Accessories:

- FreshAir activated charcoal filter

\* Estimated energy cost will depend on utility rates and use. Estimated energy cost based on a national average electricity cost of 14 cents per KWh.

\*\* Noise output – according to EN 60704-3.

## Product Dimensions

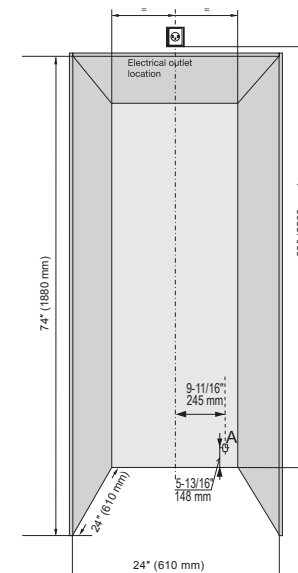


Allow door swing clearance at locations next to a wall. If the appliance is installed with the hinges next to a wall, the distance between the appliance and the wall must be at least 1 1/2" (40 mm). This is how far the handle protrudes when the door is open.

The refrigerator door must open to a minimum of 90° to allow the crispers to open and the shelves to be removed. A 90° door limiter is available for this model as accessory.

Height can be increased by 3/8" (10mm) by turning the levelling feet at the front and the height adjustable rollers at the appliance rear.

## Semi built-in look – Cutout Dimensions

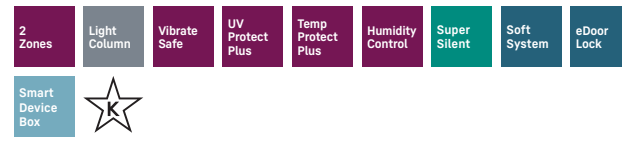


The appliances can be used freestanding or semi built-in. If semi built-in, consider the minimum cabinet opening dimensions specified on this image.

For ventilation requirements, please follow instructions on section Ventilation Requirements, page 55.

The power cord exists the rear of the appliances (A) left side and has a length of 6.5 ft (2m). We suggest the electrical outlet not to be located behind the appliance, so it is easily accessible. This can be located on top of the niche like shown on the image or on the side.

# W5270



Energy consumption (kWh/y)	-
Sound rating dB(A)	35
Total capacity cu.ft. (l)	13 (368)
Max. No. of Bordeaux bottles (0.75cl)	106
Number of wine racks	10
Shelves on telescopic rails	8
Shelf material	Flexible wooden shelves
Presentation shelf	No
Electronic control	Touch & swipe display
Temperature range °F (°C)	41 to 68°F (5 to 20°C)
Temperature zones	2 - variable
Temperature alarm	Yes
Humidity regulation	HumidityControl (50-80%)
Interior light	Light panel both sides
Door alarm	Yes
Safety thermostat	Yes
Activated charcoal filter	Yes - TempProtect Plus
Door lock	eDoorLock
Door hinges	Right, reversible
<b>Product dimensions</b>	
in inch (H/W/D)	73 1/16 / 29 7/16 / 26 5/8
in cm (H/W/D)	185.5 / 59.7 / 67.5
<b>Cut out dimensions</b>	
in inch (H/W/D)	74 / 24 / 24
in cm (H/W/D)	188 / 60.9 / 60.9
Net weight lbs. (kg)	-
Voltage V/Hz	115/60

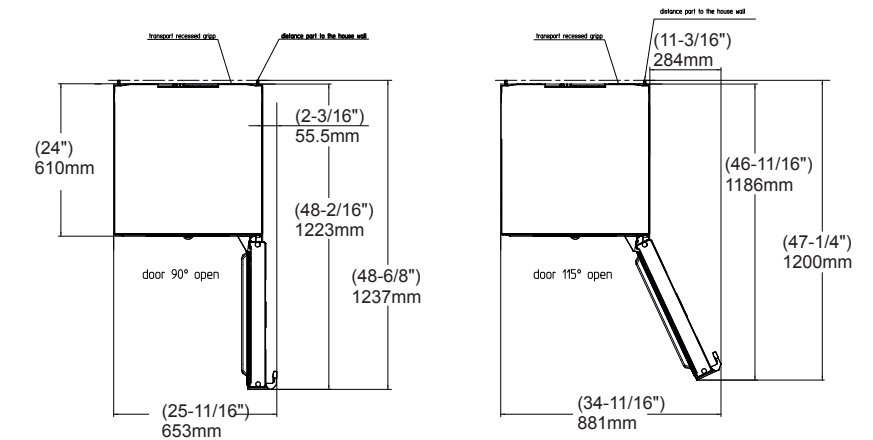
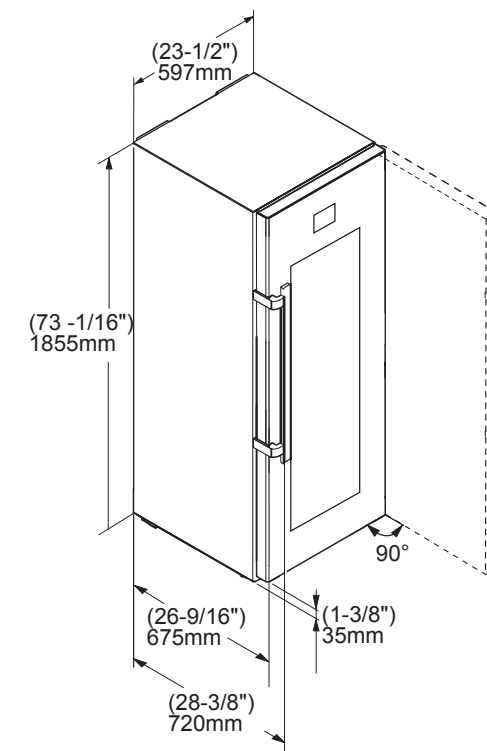
## Available Accessories:

- FreshAir activated charcoal filter

\* Estimated energy cost will depend on utility rates and use. Estimated energy cost based on a national average electricity cost of 14 cents per kWh.

\*\* Noise output - according to EN 60704-3.

## Product Dimensions

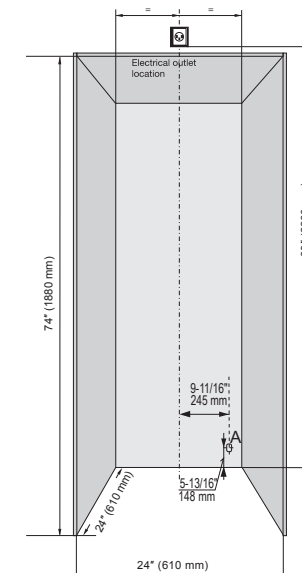


Allow door swing clearance at locations next to a wall. If the appliance is installed with the hinges next to a wall, the distance between the appliance and the wall must be at least 1 1/2" (40 mm). This is how far the handle protrudes when the door is open.

The refrigerator door must open to a minimum of 90° to allow the crispers to open and the shelves to be removed. A 90° door limiter is available for this model as accessory.

Height can be increased by 3/8" (10mm) by turning the levelling feet at the front and the height adjustable rollers at the appliance rear.

## Semi built-in look - Cutout Dimensions



The appliances can be used freestanding or semi built-in. If semi built-in, consider the minimum cabinet opening dimensions specified on this image.

For ventilation requirements, please follow instructions on section Ventilation Requirements, page 55.

The power cord exists the rear of the appliances (A) left side and has a length of 6.5 ft (2m). We suggest the electrical outlet not to be located behind the appliance, so it is easily accessible. This can be located on top of the niche like shown on the image or on the side.



# Side By Side Combinations

These appliances are designed for different types of installations. Only combine appliances if the appliances are designed for this. The following table shows the installation options by model:

Setup type	Model
Single	All models
Side-by-Side (SBS)	Model that start with S... See the SBS setup for positioning
Side-by-Side with a distance of <b>X = 2 3/4" (70 mm)</b> between appliance. Otherwise condensation will build up between the units.	<p>All models without side wall heating</p>

Only specific models can be combined for a side by side installations keeping always the original door opening, as they include a heating blanket in the opposite side of the handle to avoid condensation when attached together:

- SF5291 and SRB5290 (SBS kit included with SF5291)
- SC5781 and SCB5790IM
- SC7541IM and SC7520
- SC7751 and SCB7760IM

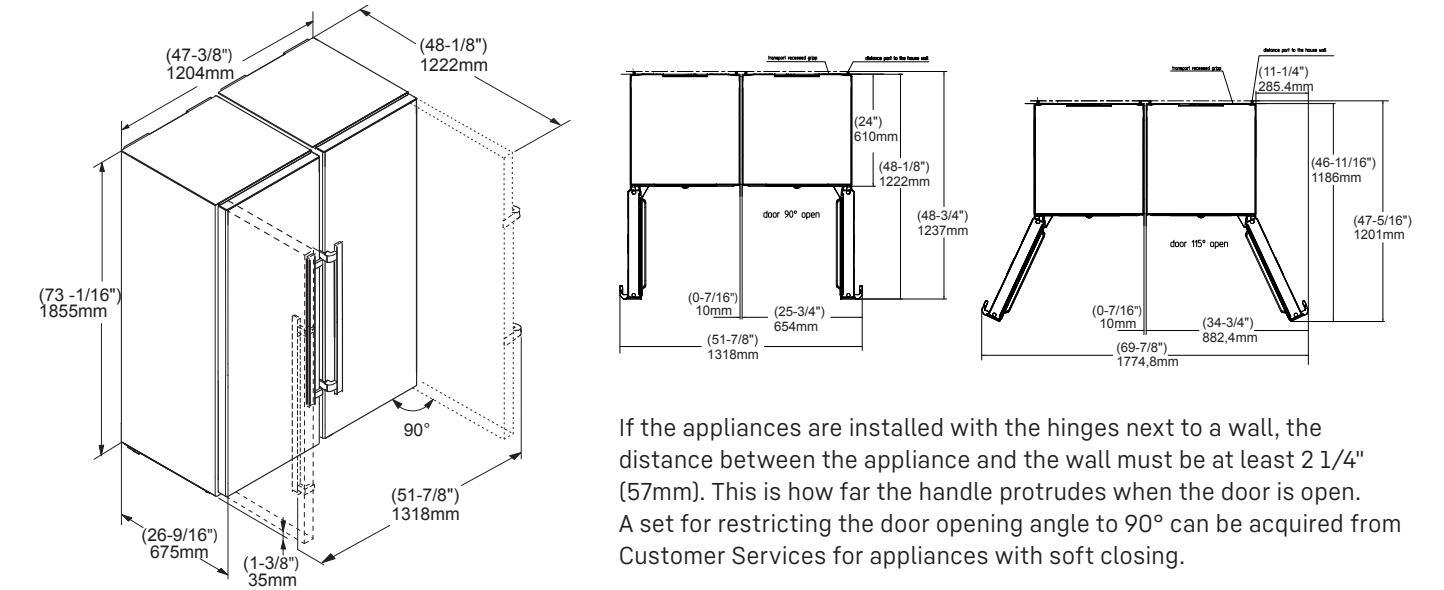
A Side by Side kit is required to attach the two models together. See Available Accessories on page 37 for more information about the Side by Side kit.

The Side by Side kit includes:

- Connection brackets
- Connection covers
- Decorative base trim
- Decorative cover strip

## SF5291 and SRB5290 [SBS kit included with SF5291]

### Product Dimensions



If the appliances are installed with the hinges next to a wall, the distance between the appliance and the wall must be at least 2 1/4" (57mm). This is how far the handle protrudes when the door is open. A set for restricting the door opening angle to 90° can be acquired from Customer Services for appliances with soft closing.

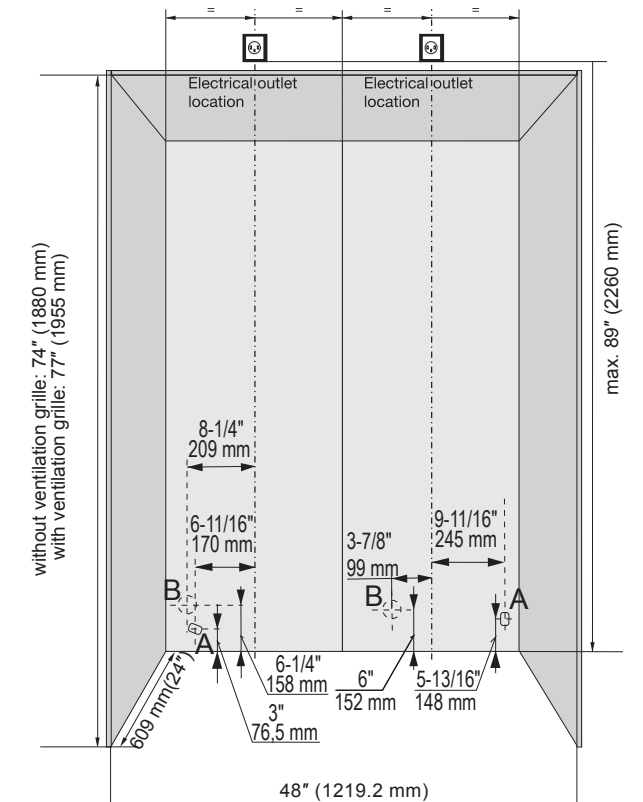
### Semi built-in look – Cutout Dimensions

This side by side requires a Side by Side kit to attach both appliances together and provide a finish look. The Side by Side kit is included with SF5291

This side by side combination can be installed in a 77" recess, the remaining gap above the appliances can be covered with a decorative grill 9903 655 , adjustable to a minimum width of 47 5/8" and to a maximum width of 48 3/8". The decorative grille is intended to be used as a filler for 77" openings.

The decorative top grille is attached to the cabinets / gables on either side of it and not to the appliance itself nor any cabinet above.

For detailed measures for each appliance, see product page on this guide

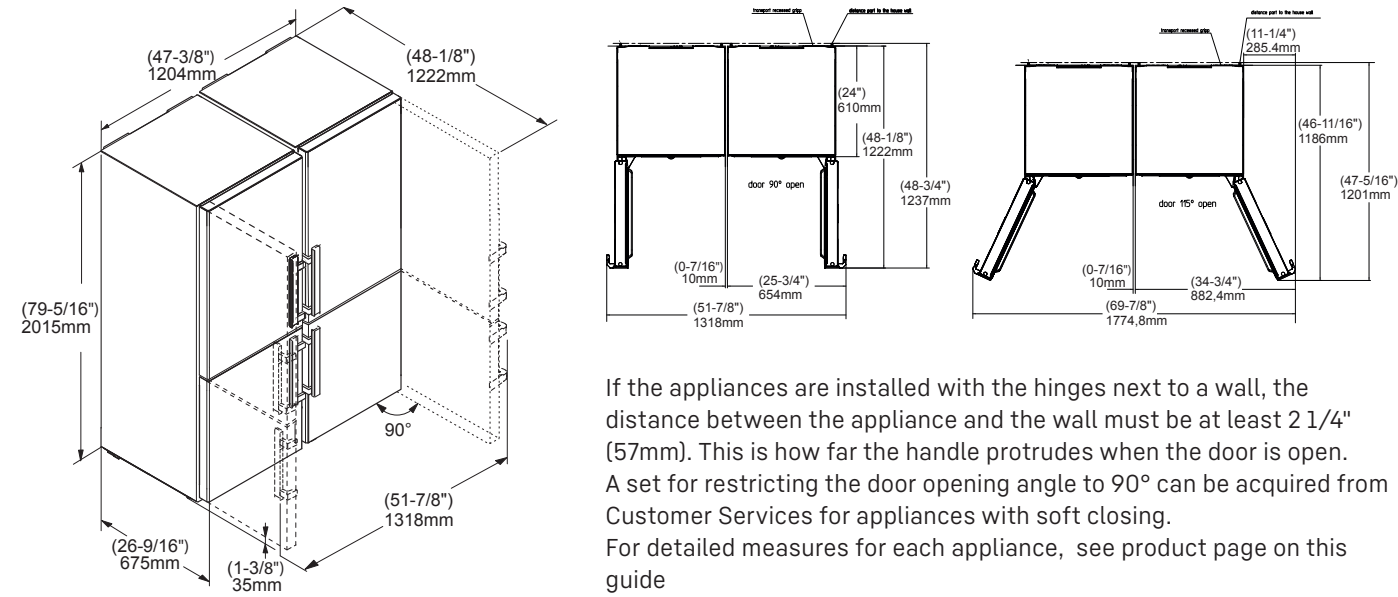




# Side By Side Combinations

SC5781 + SCB5790IM with SBS kit 9903 573

## Product Dimensions



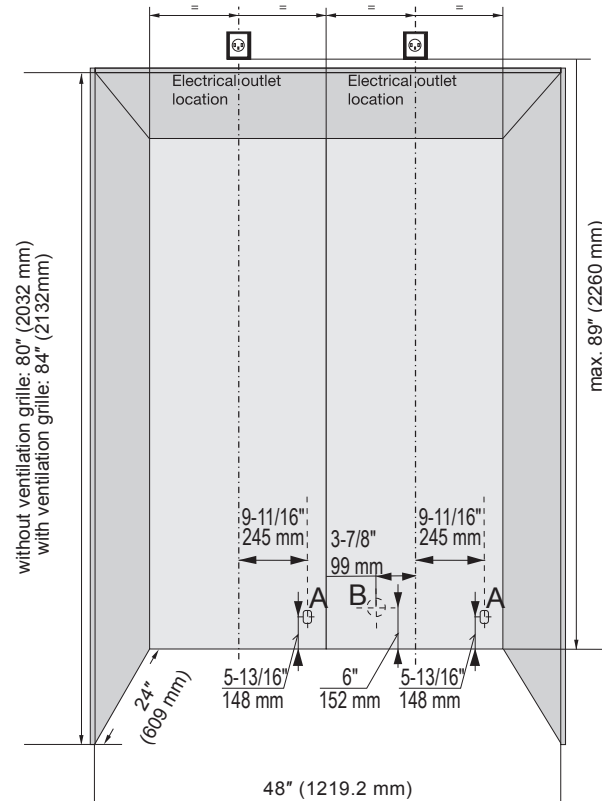
## Semi built-in look – Cutout Dimensions

This side by side requires a Side by Side kit to attach both appliances together and provide a finish look.

This side by side combination can be installed in a 84" recess, the remaining gap above the appliances can be covered with a decorative grill 9900 368 , adjustable to a minimum width of 47 5/8" and to a maximum width of 48". The decorative grille is intended to be used as a filler for 84" openings.

The decorative top grille is attached to the cabinets / gables on either side of it and not to the appliance itself nor any cabinet above.

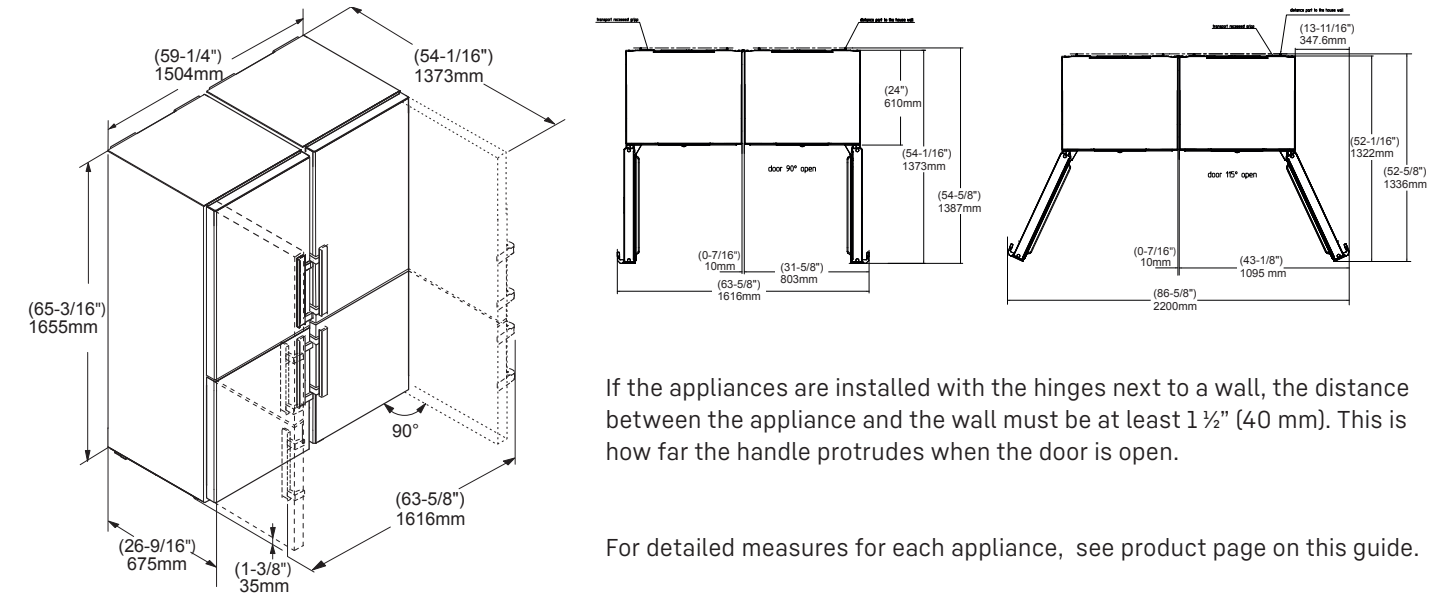
For detailed measures for each appliance, see product page on this guide.



# Side By Side Combinations

SC7541IM and SC7520 with SBS kit 9904 583

## Product Dimensions



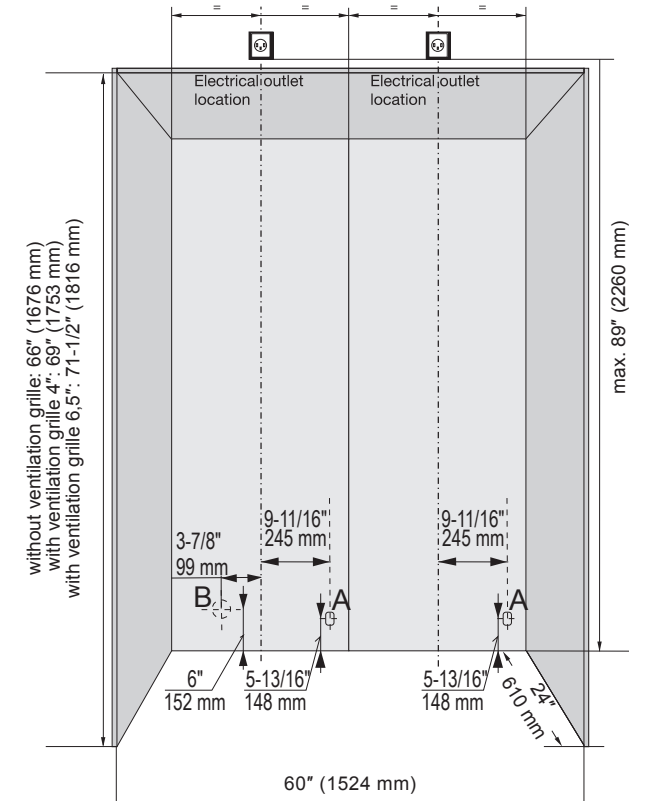
## Semi built-in look – Cutout Dimensions

This side by side requires a Side by Side kit to attach both appliances together and provide a finish look.

This side by side combination can be installed in a 72" recess, the remaining gap above the appliances can be covered with a decorative grill 9904 409, adjustable to a width of 60". The decorative grille is intended to be used as a filler for 72" openings. Another ventilation grill 9903 573 is available to be installed in a 69" niche.

The decorative top grille is attached to the cabinets / gables on either side of it and not to the appliance itself nor any cabinet above.

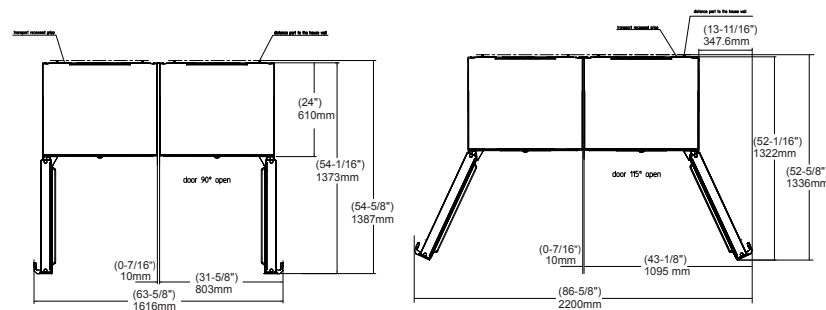
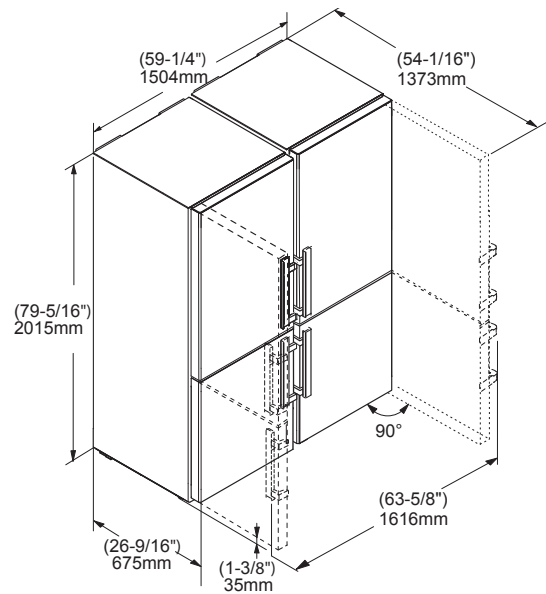
For detailed measures for each appliance, see product page on this guide.



# Side By Side Combinations

SC7751 and SCB7760IM with SBS kit 9903 573

## Product Dimensions



If the appliances are installed with the hinges next to a wall, the distance between the appliance and the wall must be at least 1 1/2" (40 mm). This is how far the handle protrudes when the door is open. A set for restricting the door opening angle to 90° can be acquired from Customer Services for appliances with soft closing.

For detailed measures for each appliance, see product page on this guide

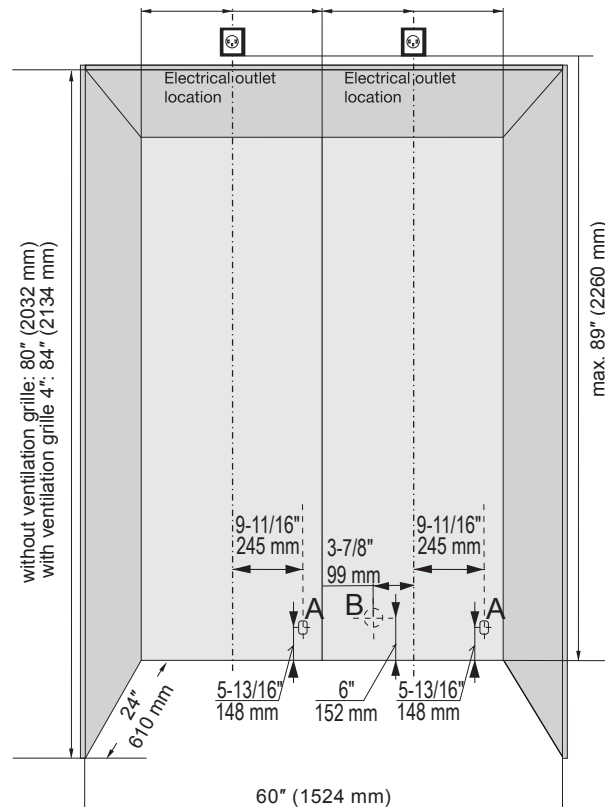
## Semi built-in look – Cutout Dimensions

This side by side requires a Side by Side kit to attach both appliances together and provide a finish look.

This side by side combination can be installed in a 84" recess, the remaining gap above the appliances can be covered with a decorative grill 9903 656, adjustable to a width of 60". The decorative grille is intended to be used as a filler for 84" openings.

The decorative top grille is attached to the cabinets / gables on either side of it and not to the appliance itself nor any cabinet above.

For detailed measures for each appliance, see product page on this guide.



# Top Ventilation Grills

9903 655 Top Ventilation Grill 48 x 4" (Adjustable width)

The decorative top grille attached to the cabinets / gables on either side of it and not to the appliance itself nor any cabinet above.

The stainless steel 48" top ventilation grill has one end cap on each side, that can be removed to fit a reduced niche of 47 5/8". Additionally include 2 additionally end caps on the accessory bag, to increase the width up to 48 3/8".

This grill is recommended to be use with side by side combination of SF5291 and SRB5290 into a 77" niche.

Top ventilation grill without clip-on end caps	Top ventilation grill with 1 clip-on end cap on each side	Top ventilation grill with 2 clip-on end caps on each side
47 5/8 " / 1209 mm	48" / 1219 mm	48 3/8" / 1229 mm

9900 368 Top Ventilation Grill 48 x 4 3/4" (Adjustable width)

The decorative top grille attached to the cabinets / gables on either side of it and not to the appliance itself nor any cabinet above.

The stainless steel 48" top ventilation grill has one end cap on each side, that can be removed to fit a reduced niche of 47 5/8".

This grill is recommended to be use with side by side combination of SC5781 and SCB5790IM into a 84" niche.

Top ventilation grill without clip-on end caps	Top ventilation grill with 1 clip-on end cap on each side
47 5/8 " / 1209 mm	48" / 1219 mm



# Top Ventilation Grills

## 9903 844 Top Ventilation Grill 30 x 4"

The decorative top grille attached to the cabinets / gables on either side of it and not to the appliance itself nor any cabinet above.

This grill is recommended to be use with single 30" models SC7751, SCB7760IM and CB7790IM.

## 9903 656 Top Ventilation Grill 60 x 4"

The decorative top grille attached to the cabinets / gables on either side of it and not to the appliance itself nor any cabinet above.

This grill is recommended to be use with side-by-side combination of SC7751 and SCB7760IM into a 84" niche.

## 9904 409 Top Ventilation Grill 60 x 6"

The decorative top grille attached to the cabinets / gables on either side of it and not to the appliance itself nor any cabinet above.

This grill is recommended to be use with side-by-side combination of SC7541IM and SC7520 into a 72" niche.

Top ventilation grill without clip-on end caps	Top ventilation grill with 1 clip-on end cap on each side

Top ventilation grill without clip-on end caps	Top ventilation grill with 1 clip-on end cap on each side

# Planning Information

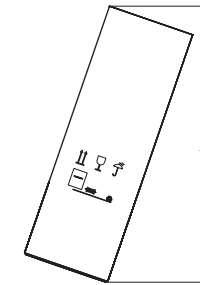
## Area Requirements

Verify the following:

- Floors can support appliance's weight plus approximately 1200 pounds (544 kg) of food weight.
- Finished kitchen floor height is level. Refrigerator must be shimmed to the floor level or leveled to make sure air vents are not obstructed.
- Remove anything attached to the rear or side walls that can obstruct appliance opening.
- Cut out dimensions are accurate.
- Electrical outlet is in correct location.

Max height

X = 87.5" / 2223 mm



Do not install this unit next to any other refrigerator, freezer or wine column except another Liebherr model. Liebherr models are designed to allow for Side-by-Side installation. They are equipped with a heating system to eliminate condensation when units are installed Side-by-Side. Installing this unit next to any other refrigerator, freezer or wine column can cause condensation or cause damage to the Liebherr unit.

## IMPORTANT

- To protect the refrigerator from possible damage, allow the appliance to stand 1 hour in place before turning the electricity on. This allows the refrigerant and lubrication system to reach equilibrium.

## Safety Regulations

- The appliances are designed to cool, freeze, store food as well as make ice (if equipped).
- The appliances are manufactured to operate within specific ambient temperature limits according to its climate rating.
- The climate rating indicates the ambient temperature at which the appliance may be operated in order to deliver optimal refrigeration performance.
- The climate rating for all bottom freezers, refrigerators and freezers is SN-T, for wine it is SN-ST.

Climate Rating	Ambient Temperature
SN	50°F to 90°F (10°C to 32°C)
N	61°F to 90°F (16°C to 32°C)
ST	61°F to 100°F (16°C to 38°C)
T	61°F to 109°F (16°C to 43°C)
SN-ST	50°F to 100°F (10°C to 38°C)
SN-T	50°F to 109°F (10°C to 43°C)

## IMPORTANT

Do not operate the appliance outside the specified ambient temperature range.

- Refrigerant circuits are tested for leaks.
- The appliances complies with current safety regulations.

CAN/CSA C22.2 No.60335-1-11  
 UL 60335-1 Fifth Edition  
 CAN/CSA C22.2 No. 60335-2-24-17  
 UL 60335-2-24 Second Edition

## Electrical Requirements & Safety

A 15 amp or 20 amp, 110-120 VAC, circuit which is grounded and protected by a circuit breaker or fuse is required.

We recommend using a dedicated circuit for each appliance to prevent circuit overload and the chance of interruption to the appliance.

The appliances are equipped with a three-prong (grounding) polarized plug for protection against possible shock hazards.

The power plug must be easily accessible so that the appliance can be disconnected quickly in an emergency. It should not be behind the appliance.

Comply with the National Electrical Code as well as local codes and ordinances when installing the receptacle.

### ⚠ WARNING!

Electrocution hazard.

Electrical grounding required.

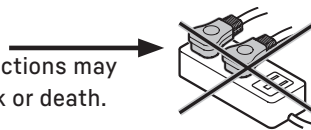
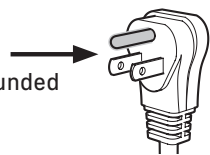
- Do not remove the round grounding prong from the plug.

- Do not use extension cords or ungrounded (two-prong) adapters.

- Do not use a power cord that is frayed or damaged.

- Do not use a power strip.

Failure to follow these instructions may result in fire, electrical shock or death.



### ⚠ WARNING!

The refrigerant R600a contained within the appliances is environmentally friendly, but flammable. Leaking refrigerant can ignite.

To prevent possible ignition, designed ventilation is required.

## InfinitySpring (Internal Water Dispenser) and IceMaker (if equipped)

The appliance's water connection and inlet solenoid valve are suitable for a water pressure of up to 1 Mpa (10 bar).

Ensure that the following conditions are met:

- Water pressure is maintained
- Water is supplied to the appliances via a cold water pipe that can withstand the operating pressure and is connected to the drinking water supply
- Use a 1/2" OD copper pipe to connect the water supply to the solenoid valve. This is not supplied with the appliance.
- A connector between the R3/4 connection thread and the 1/4" OD copper cable is supplied with the appliance.

If you have hard water, we recommend you install a water softener. Also, a filter must be installed if the water contains solids such as sand.

All equipment and devices used to supply the water to the appliance must comply with the current regulations for your geographical area.

## Safety Instructions and Warnings

- Do not attach the water source while the appliance is connected to an electrical outlet.
- A shut-off valve must be installed between the hose line and the main water supply so that the water supply can be stopped if necessary. Do not install the shut-off valve behind the appliance.
- The connection to the water supply may only be made by a trained and licensed plumber.
- The water quality must comply with the drinking water regulations for the geographical area where the appliance is located.
- The IceMaker is designed exclusively to make ice cubes in quantities needed by a household, and may only be operated with water appropriate for this purpose.
- All repairs and work on the IceMaker may only be done by Customer Service personnel or other trained personnel.
- The manufacturer cannot accept liability for damage caused by equipment or water lines between the solenoid valve and the water supply.

## Ventilation Requirements

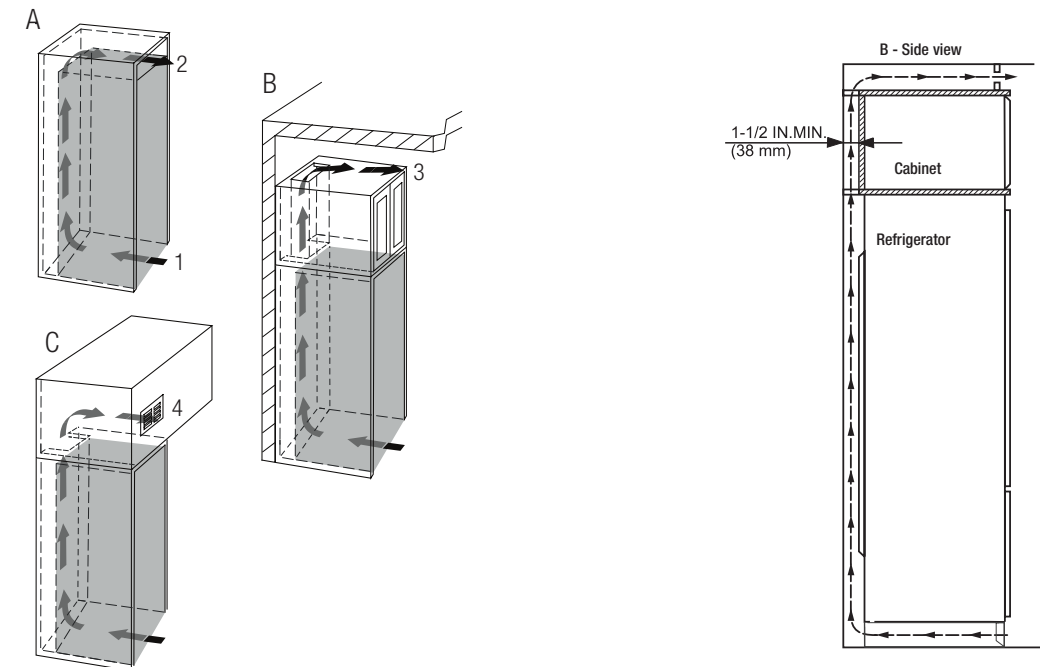
If the appliance is integrated in a fitted kitchen, the following ventilation requirements must be met: - The spacing fins on the back of the appliance are used to ensure sufficient ventilation. These must not lie in cavities or recesses in their final installation position. - Basically, the larger the ventilation gap, the more energy the appliance saves during operation. We suggest a gap between the rear of the appliance and the wall of 1 1/2 inch (38 mm) for optimal energy consumption.

Do not restrict the air flow. A cross-sectional air flow of at least 31 in2 (200cm2) per appliance at the airflow inlet (1) and at the airflow outlet (2).

The top ventilation space can be directed in one of the following ways:

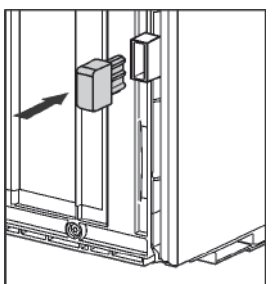
- Directly over the appliance (2) with a gap between the ceiling of the unit and the cabinet
- Above the cabinet and below the ceiling (3).
- Through a vent installed in a soffit (4).

Be sure to consider the possibility of having to raise some of the leveling legs in order to level the appliance when installing. If you adjust the height of the appliance – it will effectively reduce air flow. Therefore leave yourself some room for adjustment. The appliance is designed to allow proper air flow when installed up against the wall.



## Mounting wall spacers

These spacers are mounted on the left and right of the back of the appliance to extend the depth of the appliance by approximately 5/8 in (15mm) and provide better energy consumption and avoid the formation of condensate water at high levels of ambient humidity and enclosed niches. The appliance is fully functional if the spacers are not used, but it will consume slightly more energy.



# Accessories

## 01 FreshAir activated carbon filter

FreshAir activated charcoal filter 9882460



9096989

## 02 Water & Ice

Water Filter 9880980



9880980

## 03 Side by Side Kit

Side by Side kit for models 80" height 9903 573  
Side by Side kit for models 65" height 9904 583

## 04 Top Ventilation grill

Top ventilation grill 30"x 4" 9903844  
Top ventilation grill 48"x 4" 9903655  
Top ventilation grill 48"x 4 3/4" 9900368  
Top ventilation grill 60 x 4" 9903656  
Top ventilation grill 60 x 6" 9904409



9900368

## 05 Door Stop

90° Door limiter for models with SoftSystem 9096414



9096414

## 06 Wine Labels Clip-on

Clip-on metal wine labels 9882766