



## A PERFECT COMBINATION OF POWER, TECHNOLOGY AND STYLE

The **NEW** Stratus Isola is equipped with powerful extraction capabilities to effectively remove cooking odors, smoke, and grease from the kitchen. Its advanced filtration system ensures that the air remains fresh and clean. The seamless ceiling hood's exclusive Faber Cloud technology allows you to use voice commands to control various functions when paired with Amazon Alexa, Google Home, or Siri.

## AVAILABLE MODELS

Model #	FUN #	Size / Color	Motor Class (CFM)
<b>STRTIS36SSV</b>	350.0705.134	36" Stainless Steel	295/395/600
<b>STRTIS36WHV</b>	350.0705.135	36" White	295/395/600
<b>STRTIS48SSV</b>	350.0705.136	48" Stainless Steel	295/395/600
<b>STRTIS48WHV</b>	350.0705.133	48" White	295/395/600



ADJUST THE COLOR TEMPERATURE OF THE LIGHTS - FROM COOL TO WARM - WITH **TUNABLE WHITE LIGHTING**.



# STRATUS ISOLA

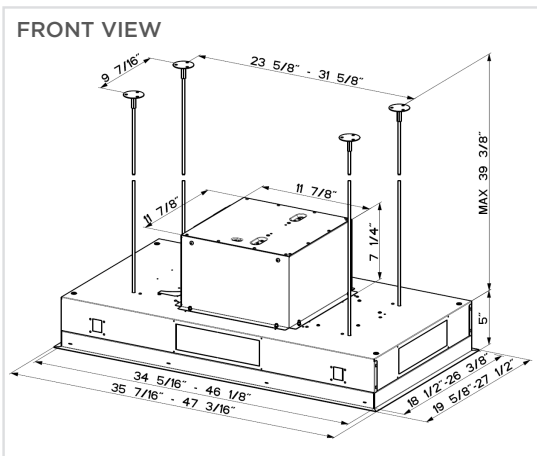
ISLAND & CEILING



MODEL	FUN #	SIZE/MATERIAL	MOTOR CLASS
STRTIS36SSV	350.0705.134	36" Stainless Steel	295/395/600
STRTIS36WHV	350.0705.135	36" White	295/395/600
STRTIS48SSV	350.0705.136	48" Stainless Steel	295/395/600
STRTIS48WHV	350.0705.133	48" White	295/395/600

FEATURES		PERFORMANCE		ACCESSORIES
<b>Dimensions</b>		<b>Motor</b>		<b>FILTER1</b> Charcoal Filter Kit
Ceiling Height	N/A	No. of Fan Speeds	4	<b>FILTER1LL2</b> Long Lasting Charcoal Filter
<b>Ducting</b>		Motor Class	295/395/600	<b>MUDAMPER6</b> 6" Make-up Air Kit
Type	Ducted/Ductless with FILTER1/FILTERILL2	Perimeter Aspiration	Yes	<b>MUDAMPER8</b> 8" Make-up Air Kit
Duct Size	6" Round	Sound Pro Motor	Yes	
<b>Lighting</b>		Variable Air Management	Ability to set to 295, 395, 600 CFM	
Type	Energy-Efficient LED	<b>Display</b>		
# of Bulbs	2 Light Bars - 4 Watts	Controls	Digital LED	
Tunable Lights	5 Levels Change light temperature from Warm (2700K) - Cool (6500 K)	Intensive Speed	6 Minutes	
Light Dimmer	Yes	Delay Shut-off	15 Minutes	
<b>Grease Filter</b>		Anti-pollution	24 Hour	
Filter Type	Mesh	<b>Other</b>		
Dishwasher Safe	Yes	ADA Compliant	With Remote Control, Voice activated smart speaker or Faber Cloud App	
Filter Alarm	Yes	APP or Voice Controlled	Faber Cloud App, Apple Siri, Google Home or Amazon Alexa compatible voice control	
		Remote Control	Included	
		Fixed Wiring Box	Included	

## DIMENSIONAL DRAWINGS



Rev1 124

800 Aviation Parkway, Smyrna, TN 37167 (508) 358-5353 | www.faberonline.com