

# Grille Assembly Installation

<u>CONTAINS:</u>	<u>QTY</u>	<u>DESCRIPTION</u>
	1	Grille Assembly
	1	Instruction Sheet

## GRILLE REMOVAL PROCEDURE (See Figure 1):

1. Open the existing grille assembly.
2. With a T-20, 6-lobe Torx type bit, extract the grille mounting screws and pull the grille assembly from the unit.

## GRILLE INSTALLATION PROCEDURE (See Figure 1):

1. Open the new grille assembly and place it on top of the appliance, making sure the notches in the grille side frames line up with the hooked flanges of the grille brackets.
2. With a T-20, 6-lobe Torx type bit, insert the grille mounting screws.

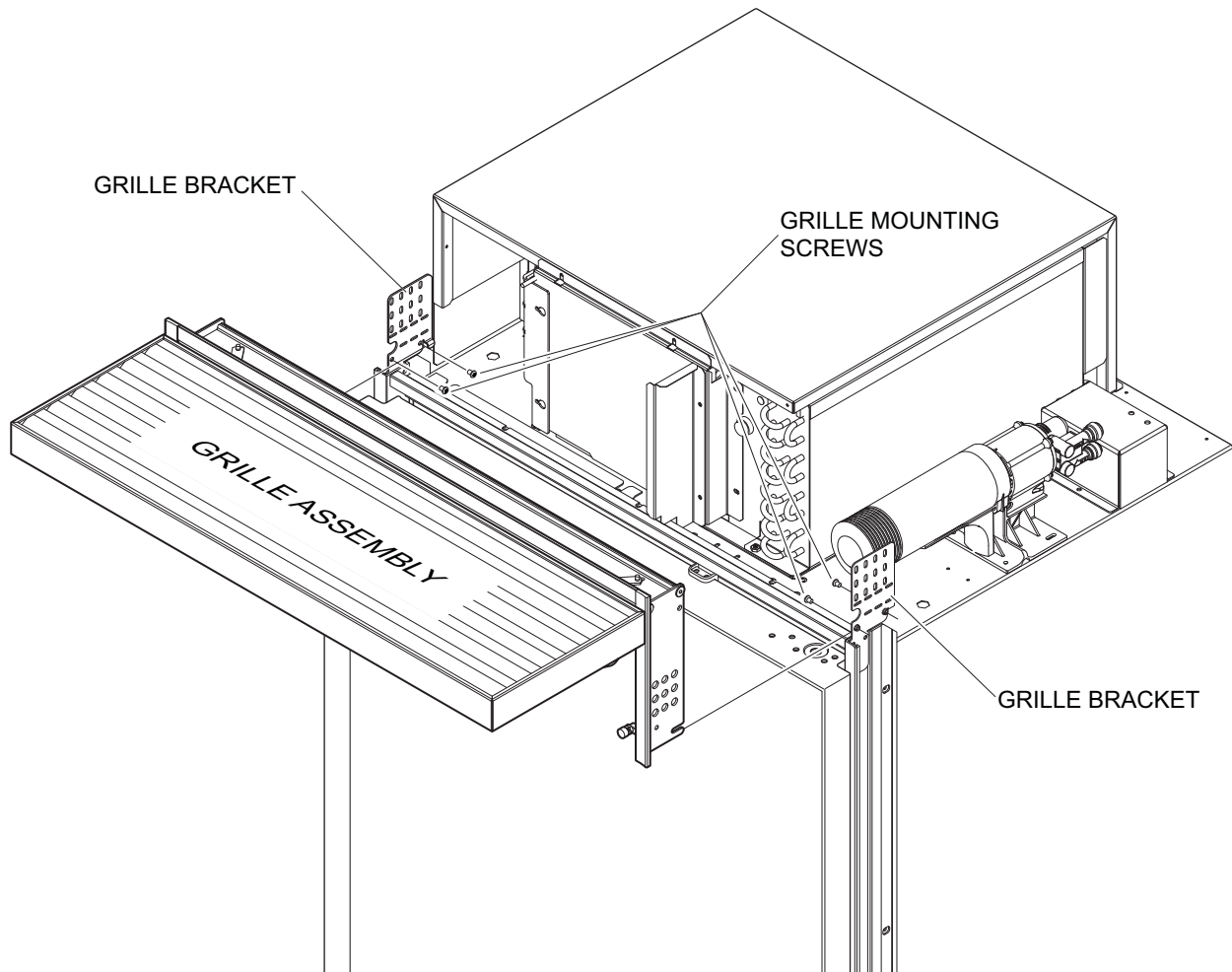


Figure 1

