

# GAS CONVERSION KIT

## Installation Instructions - Grill

### AGCK-NG / AGCK-LP



#### IMPORTANT - READ ALL INSTRUCTIONS BEFORE YOU BEGIN

THE INSTRUCTIONS HEREIN SHOULD BE PERFORMED BY A QUALIFIED SERVICE TECHNICIAN. THE GRILL MUST BE COMPLETELY COOL AND THE PREVIOUS GAS SOURCE MUST BE SHUT OFF OR REMOVED BEFORE ATTEMPTING GAS CONVERSION.

Some parts inside your grill have sharp edges. Care must be taken when handling the various components to avoid personal injury. Wear gloves when handling.

#### TOOLS REQUIRED:

- Work gloves
- Safety glasses
- Phillips screwdriver
- Flat-blade screwdriver
- Pipe wrench or large slip-joint pliers
- Thread sealant
- 1/2" deep socket wrench with short extension
- Assorted combination wrenches (5/16, 1/2, 5/8, 3/4, 7/8 inch)

#### **DANGER**

If you smell gas:

1. Shut off gas to the appliance.
2. Extinguish any open flame.
3. Open lid.
4. If odor continues, keep away from the appliance and immediately call your gas supplier or your fire department.

#### **DANGER**

1. Do not store or use gasoline or other flammable liquids or vapors in the vicinity of this or any other appliance.
2. An LP cylinder not connected for use shall not be stored in the vicinity of this or any other appliance.

#### **WARNING**

IF THE INFORMATION IN THIS MANUAL IS NOT FOLLOWED EXACTLY, A FIRE OR EXPLOSION MAY RESULT CAUSING PROPERTY DAMAGE, PERSONAL INJURY, OR DEATH.

#### **WARNING**

Flammable Gas - disconnect all propane or natural gas supplies to this unit before servicing.

#### **WARNING**

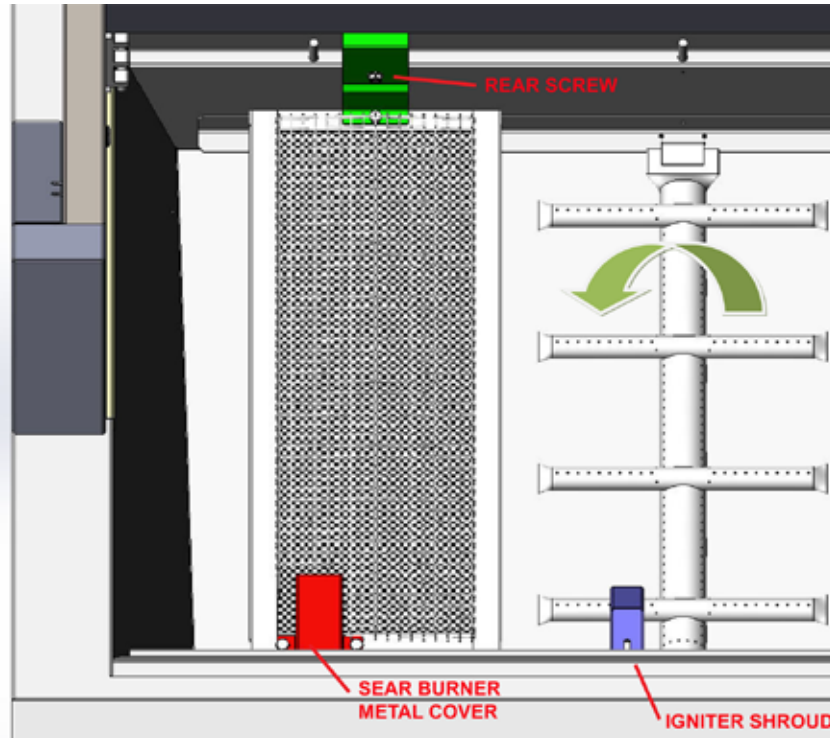
Electrical Parts & Components – disconnect all power supplies and batteries before servicing.

READ THIS MANUAL CAREFULLY AND COMPLETELY BEFORE USING YOUR GRILL TO REDUCE THE RISK OF FIRE, BURN HAZARD, OR OTHER INJURY. KEEP THIS MANUAL FOR FUTURE REFERENCE.

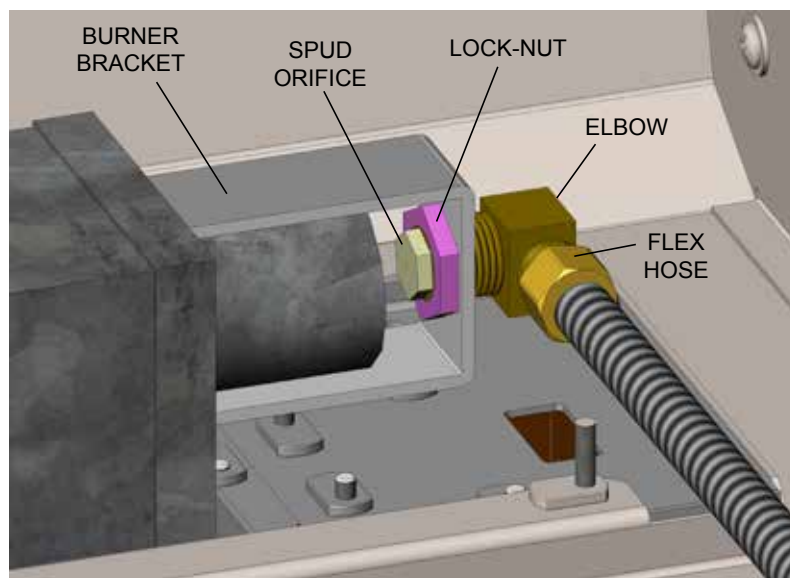


## CHANGING ORIFICES

1. Open your grill and remove the grates, radiant trays, and burners from the firebox area. Trellis burners are removed by lifting up the rear of the burner, and carefully twisting to clear the igniter shroud. Sear burners have a small metal cover over the igniter which must be removed first. There is also a screw at the rear firebox wall which must be removed. The sear burner can then be carefully removed using the same twisting action to avoid breaking the ceramic igniter. Remove the rear cover of the grill. If your grill is mounted on a cart, remove the rear access panel of the cart as well. Also remove the control knobs and drip pan.



2. Beginning with the Infrared Burner in the upper canopy area of the grill, access the spud orifice shown in the image below. Disconnect the flex hose first. Then use a wrench to hold the brass elbow steady, while using another wrench to remove the lock-nut. You may now remove the elbow out of the burner bracket. Try not to disturb the flex hose connection by unduly bending it too much. Be careful not to damage the wires and copper thermocouple tube nearby.

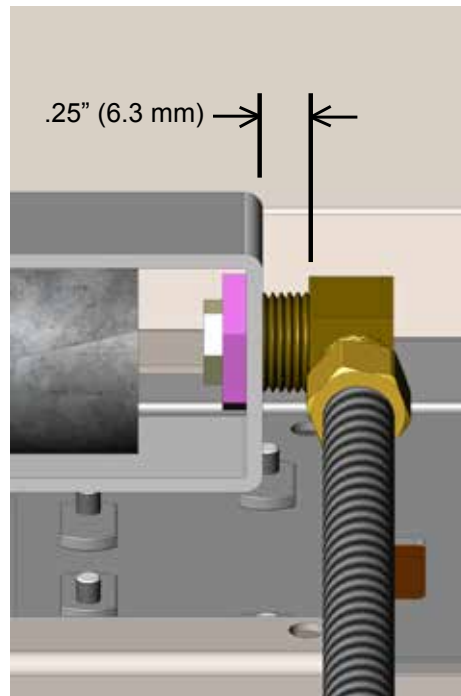


## CHANGING ORIFICES *(continued)*

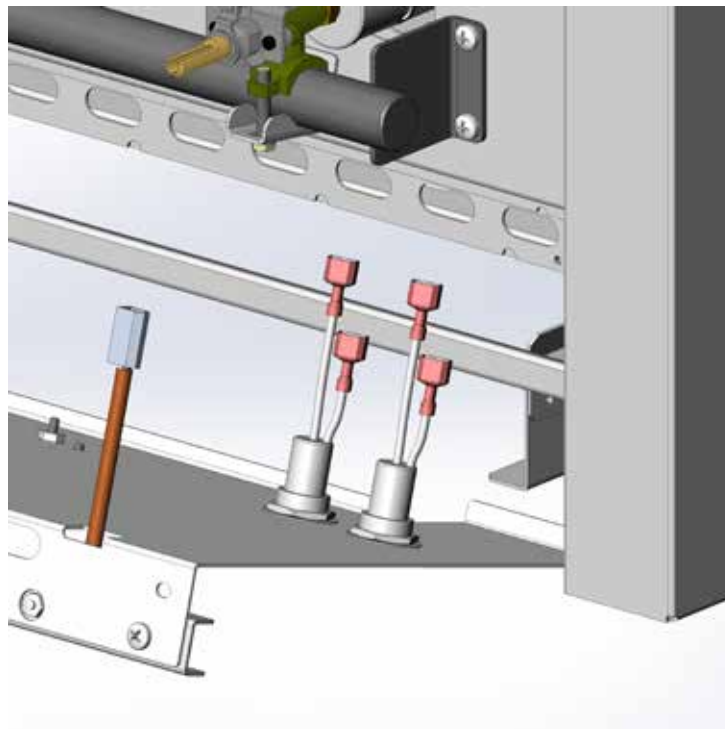


EN

- When replacing the elbow and orifice assembly back into the burner bracket, it is important to maintain the original spacing shown below for proper burner performance.



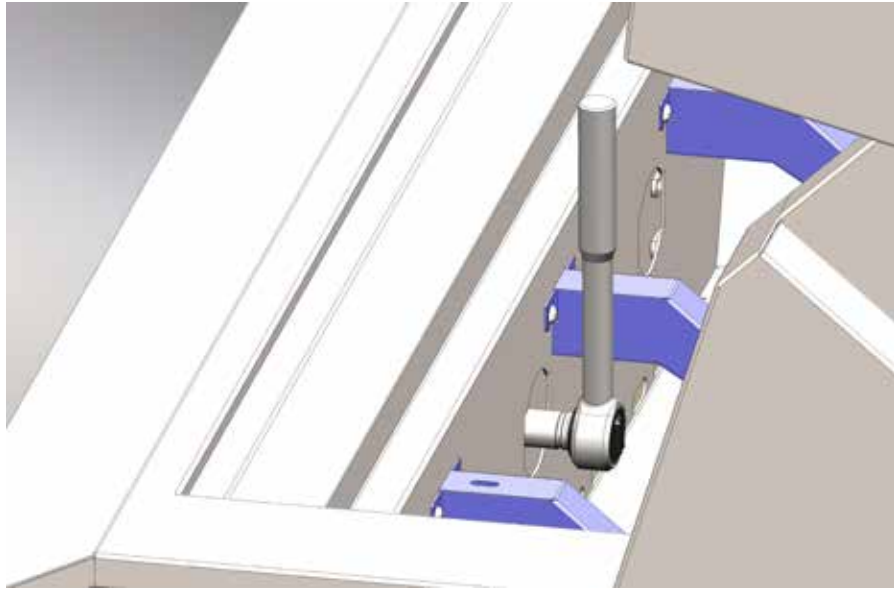
- Remove the screws securing the control panel to the front of the grill. Carefully tilt down the control panel being careful not to damage the wires to the switches and LED light bar. Pull off the connectors to the 2 switches and the LED light bar at this time. Remove the control panel from the grill and set aside.





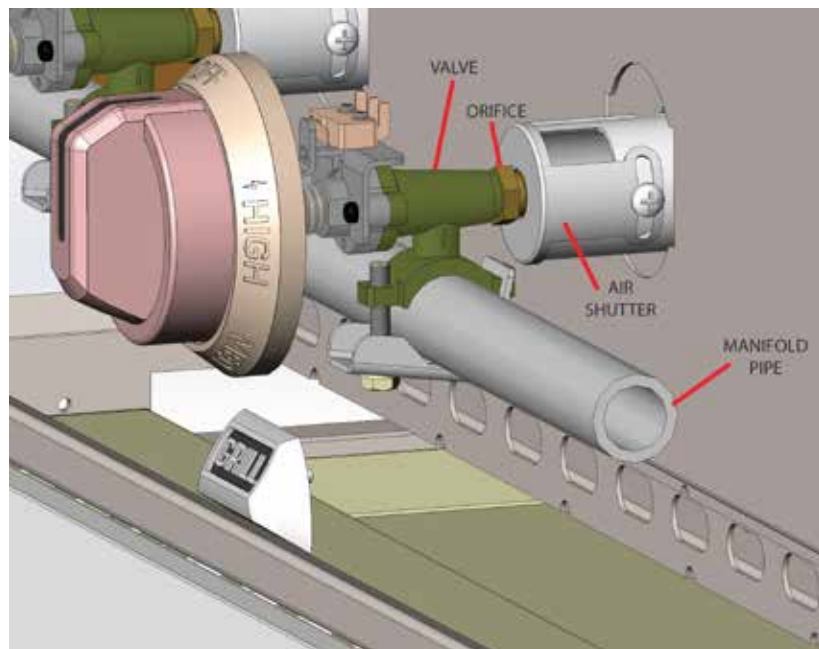
## CHANGING ORIFICES *(continued)*

5. Before removing the main burner orifices, take a visual note as to how far the orifice is installed onto the valve body. The orifices are removed with a 1/2" deep socket wrench. Use even pressure to break loose the old orifice and remove from the valve.



6. If your Hestan grill is equipped with both Trellis and Sear Burners, verify you have the correct orifice for each kind of burner. The orifice size is stamped on the body of the orifice. Consult the chart at the end of this manual for what size is used on each burner type. This is also a good time to clean and inspect the burners for clogged ports, debris, spider webs, etc.

Install the orifices slowly to avoid cross-threading and damaging the threads. The orifice will become noticeably harder to turn as you proceed. Make frequent visual checks of the orifice as it goes onto the valve. As shown below, the orifice is nearly bottomed-out on the valve body. You want to tighten all the orifices equally so they are all seated the same distance. Use a burner to check the orifice is properly seated. As shown, the burner should fully seat with the orifice protruding into the air shutter as far as possible. The burner should rest flat on the burner hanger at the back of the firebox.



# CHANGING REGULATORS



EN

## GAS SUPPLY

The local gas authority or supplier should be consulted at the installation planning stage in order to establish the availability of an adequate supply of gas (NG or LP). If it is a new installation, have the gas authorities or supplier check the meter size and piping to assure that the unit is supplied with the necessary amount of gas supply and pressure to operate the unit(s).

Gas connections should be made by a qualified plumber, or your professional outdoor appliance service technician.

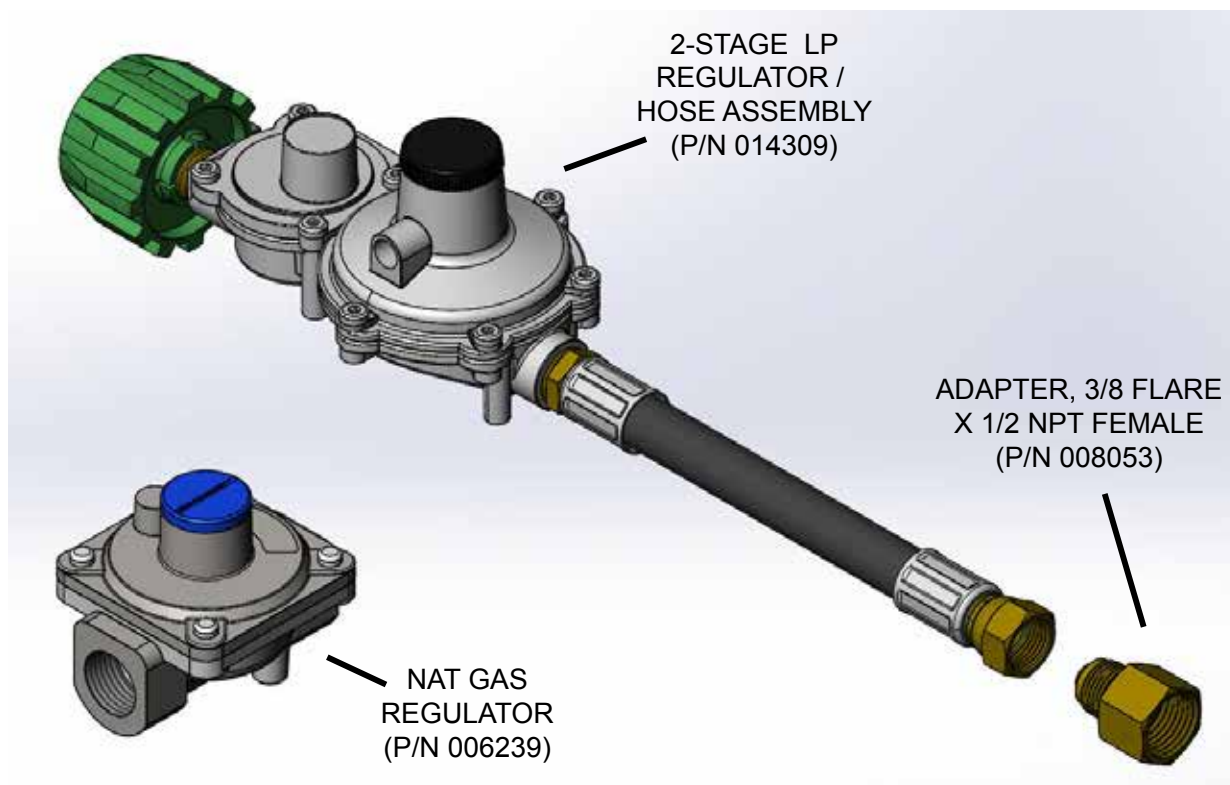
All fixed (non-mobile) appliances must be fitted with an accessible upstream gas shutoff valve as a means of isolating the appliance for emergency shut off and for servicing.

Make certain new piping and connections have been made in a clean manner and have been purged so that piping compound, chips, etc. will not clog regulators, valves, orifices, or burners. Use pipe joint compound / thread sealant approved for natural and LP gases.

## REGULATOR TYPES

Shown below are the two types of regulators used on Hestan outdoor appliances. Your conversion kit (AGCK-NG or AGCK-LP) comes with the appropriate regulator for the fuel type you are converting to.

Remove your existing regulator by using a pipe wrench and other tools as required. Consult the GAS CONNECTIONS section of your Hestan outdoor appliance for full instructions on installing the new regulator, and providing accessible upstream gas shutoff valve (NG only). Use thread sealant on all connections.





# TESTING & ADJUSTMENT

## LEAK TESTING

### GENERAL

A complete gas tightness check must be performed of all gas-carrying components due to possible movement during installation, or excessive pressure unknowingly being applied to parts of the unit.

### BEFORE TESTING

- Do not smoke while leak testing.
- Never leak test with an open flame.
- Make a soap solution of one part liquid detergent and one part water for leak testing purposes.
- Apply the solution to the gas fittings by using a spray bottle or a brush.
- For LP units, always check with a full LP cylinder.

### TO TEST

- Make sure all control valves are in the "OFF" position.
- Apply the soap solution described above to all fittings.
- Turn the gas supply on.
- Check all connections from the supply line, or LP cylinder up to and including the manifold pipe assembly.
- Soap bubbles will appear where a leak is present. If a leak is present, immediately turn off gas supply, tighten any leaking fittings, turn the gas supply back on, and recheck.
- If you cannot stop a gas leak, turn off the gas supply and call the dealer where you purchased your grill.
- Do not use the grill until all connections have been checked and do not leak.

**IMPORTANT NOTE - ALWAYS CHECK FOR LEAKS AFTER EVERY LP CYLINDER CHANGE.**

## BURNER / VALVE ADJUSTMENTS

Consult the GAS CONNECTIONS section of your Hestan outdoor appliance for full instructions on burner adjustments, flame appearance, air shutter adjustment, and valve adjustments. This step is very important to ensure successful burner performance after conversion to the new fuel type, or changing orifices for high altitude locations.

**Hestan Outdoor Orifice Chart**

Equipment	Burner Type	Gas Type	Rate Per Burner (BTU/hr)	ORIFICE SIZE			Air Shutter Opening (inch)
				Sea Level - 1999 ft (609m)	2000 ft (609m) - 5999 ft (1829m)	6000 ft (1829m) - 10000 ft (3048m)	
30" Outdoor Grill	Trellis Burner	NG	25,000	42	43	45	5/16
		LP	25,000	53	54	55	3/8
	Sear Burner	NG	25,000	42	43	45	N/A
		LP	22,000	54	55	56	N/A
	Rotiss	NG	12,000	51	52	53	N/A
		LP	11,000	60	62	64	N/A
36" Outdoor Grill	Trellis Burner	NG	25,000	42	43	45	5/16
		LP	25,000	53	54	55	3/8
	Sear Burner	NG	25,000	42	43	45	N/A
		LP	22,000	54	55	56	N/A
	Rotiss	NG	14,000	50	51	52	N/A
		LP	13,000	57	59	62	N/A
42" Outdoor Grill	Trellis Burner	NG	25,000	42	43	45	5/16
		LP	25,000	53	54	55	3/8
	Sear Burner	NG	25,000	42	43	45	N/A
		LP	22,000	54	55	56	N/A
	Rotiss	NG	18,000	45	47	49	N/A
		LP	18,000	56	57	59	N/A





## LABEL

After conversion, the label below must be attached to the grill next to the existing rating label located in the drip pan. The qualified service technician will fill in the Gas Type, Manifold Pressure, and BTU Rates for each burner type (per the chart on previous page). The technician should sign and date the label.

EN

<b>GAS CONVERSION</b>	
GAS TYPE / TYPE DE GAZ	BTU/HR/ ROTISS / ROTISSOIRE
MAN. PRESS. / PRESS. ADM INCH W.C. / PO. W.C.	BTU/HR/ GRILL / LE GRIL
	BTU/HR/ SEAR / INFRAROUGE
<p><b>THIS EQUIPMENT WAS CONVERTED TO THE FUEL INDICATED BY A QUALIFIED SERVICE TECHNICIAN ON THE DATE INDICATED BELOW. CET APPAREIL A ETE CONVERTI AU COMBUSTIBLE INDIQUE PAR UN TECHNICIEN QUALIFIÉ À LA DATE INDIQUÉE CI-DESSOUS.</b></p> <p>TECH. : _____</p> <p>DATE : _____</p>	
<small>P/N 013824 REV A</small>	

**RETAIN THIS MANUAL FOR FUTURE REFERENCE**



**Hestan Commercial Corporation**

3375 E. La Palma Ave  
Anaheim, CA 92806  
(888) 905-7463