



We are proud of our quality products and we believe in dependable service. You are entitled to warranty coverage as described in this owner's manual.

COMPACT REFRIGERATOR	
Model Number	DAG016A2BDB
Serial Number	
Date of Purchase	

Please write down your serial number and date of purchase. **You must keep the original proof of purchase receipt to receive warranty services.**

Register your new appliance online and fill out a product survey to receive a **FREE 2 MONTH WARRANTY EXTENSION** at www.danby.com/support/product-registration/

Visit www.Danby.com to access self-service tools, FAQs and much more.

For **Customer Service**, please fill out the web form at www.danby.com/support, or call **1-800-263-2629**.

Danby Products Ltd, Guelph, Ontario, Canada N1H 6Z9
Danby Products Inc, Findlay, Ohio, USA 45840

*Trademark of Danby Products



Important Safety Information

READ AND FOLLOW ALL SAFETY INSTRUCTIONS

SAFETY REQUIREMENTS

DANGER: Risk of fire or explosion. Flammable refrigerant used. Do not puncture refrigerant tubing.

- Do not use mechanical devices to defrost refrigerator.
- Ensure that servicing is done by factory authorized service personnel, to minimize product damage or safety issues.
- Consult repair manual or owner's guide before attempting to service this product. All safety precautions must be followed.
- Dispose of properly in accordance with federal or local regulations.
- Follow handling instructions carefully.

WARNING: Keep ventilation openings, in the appliance enclosure or in the built-in structure, clear of obstruction.

WARNING: Do not use mechanical devices or other means to accelerate the defrosting process, other than those recommended by the manufacturer.

WARNING: Do not damage the refrigerant circuit.

WARNING: Do not use electrical appliances inside the food storage compartments of the appliance, unless they are of the type recommended by the manufacturer.

CAUTION: Children should be supervised to ensure that they do not play with the appliance.

SAVE THESE INSTRUCTIONS!



Important Safety Information

READ AND FOLLOW ALL SAFETY INSTRUCTIONS

SAFETY REQUIREMENTS

DANGER: Risk of child entrapment. Before throwing away an old appliance:

- Remove the door or lid.
- Leave shelves in place so that children may not easily climb inside.

This appliance is not intended for use by persons (including children) whose physical, sensory or mental capabilities may be different or reduced, or who lack experience or knowledge, unless such persons receive supervision or training to operate the appliance by a person responsible for their safety.

Do not store explosive substances such as aerosol cans with a flammable propellant in this appliance.

This equipment is intended for the storage and display of non-time or temperature control for safety foods, bottled or canned products only. This means that any food placed in this appliance must be properly packaged and must not be of a type that will spoil easily or quickly.

SAVE THESE INSTRUCTIONS!



Important Safety Information

READ AND FOLLOW ALL SAFETY INSTRUCTIONS

GROUNDING INSTRUCTIONS

This appliance must be grounded. Grounding reduces the risk of electrical shock by providing an escape wire for the electrical current.

This appliance has a cord that has a grounding wire with a 3-prong plug. The power cord must be plugged into an outlet that is properly grounded. If the outlet is a 2-prong wall outlet, it must be replaced with a properly grounded 3-prong wall outlet. The serial rating plate indicates the voltage and frequency the appliance is designed for.

WARNING - Improper use of the grounding plug can result in a risk of electric shock. Consult a qualified electrician or service agent if the grounding instructions are not completely understood, or if doubt exists as to whether the appliance is properly grounded.

Do not connect your appliance to extension cords or together with another appliance in the same wall outlet. Do not splice the power cord. Do not under any circumstances cut or remove the third ground prong from the power cord. Do not use extension cords or ungrounded (two prongs) adapters.

If the power supply cord is damaged, it must be replaced by the manufacturer, its service agent or similar qualified person in order to avoid hazard.

SAVE THESE INSTRUCTIONS!



Important Safety Information

READ AND FOLLOW ALL SAFETY INSTRUCTIONS

The climate type of this appliance is 3, 4. The ambient temperature and humidity conditions of the climate class following the tab below.

Test room climate class	Dry bulb temperature (°C)	Relative humidity	Dew point (°C)	Water vapour mass in dry air (g/kg)
0	20	50	9.3	7.3
1	16	80	12.6	9.1
8	23.9	55	14.3	10.2
2	22	65	15.2	10.8
3	25	60	16.7	12.0
4	30	55	20.0	14.8
6	27	75	21.1	15.8
5	40	40	23.9	18.8
7	35	75	30.0	27.3

NOTE: the water vapor mass in dry air is one of the main points influencing the performance and the energy consumption of the coolers. Therefore, the order of the climate class in the table is based on the water vapor mass column.

SAVE THESE INSTRUCTIONS!

INSTALLATION INSTRUCTIONS

LOCATION

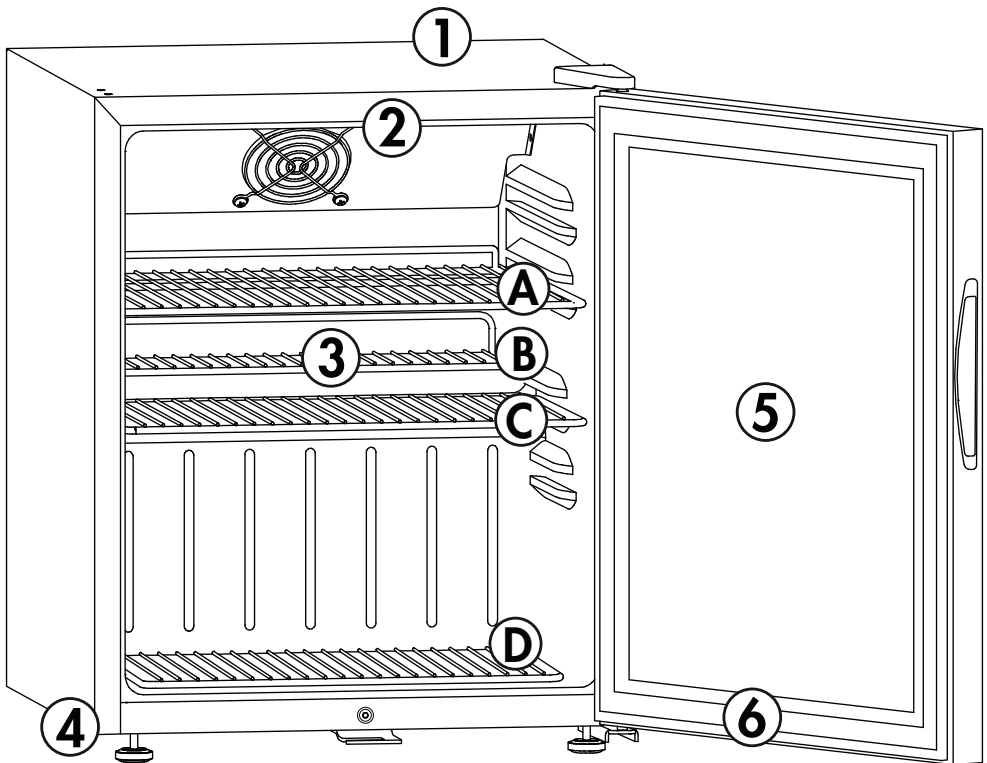
- Two people should be used when moving the appliance.
- Remove interior and exterior packaging prior to installation. Wipe the outside of the appliance with a soft, dry cloth and the inside with a lukewarm wet cloth.
- Place the appliance on a floor that is strong enough to support it when it is fully loaded.
- Do not place the appliance in direct sunlight or near sources of heat, such as a stove or heater, as this can increase electrical consumption. Extreme cold ambient temperatures may also cause the appliance to perform improperly.
- Do not use the appliance near water, for example in a wet basement or near a sink.
- This appliance is intended for indoor use only. It is not designed for outside installation, including anywhere that is not temperature controlled (garages, porches, vehicles, etc.).
- Before connecting the appliance to a power source, let it stand upright for approximately 6 hours. This will reduce the possibility of a malfunction in the cooling system from handling during transportation.
- This appliance is 44.5 cm (17.5 inches) wide by 50.5 cm (19.9 inches) high by 50 cm (19.7 inches) deep. Make sure that you leave the minimum amount of space between the appliance and all surrounding walls and vents.
- Allow 12.7 cm (5 inches) of space between the back, sides and top of the appliance and all adjacent walls.
- This appliance is intended for free-standing installation only and is not intended to be built into a cabinet or counter. Building in this appliance can cause it to malfunction.

OPERATING INSTRUCTIONS

FEATURES

1. Thermostat Dial (on rear of cabinet)
2. LED Lighting
3. Plastic Coated Wire Shelves
4. Adjustable Foot
5. Tempered Glass Door
6. Door lock

Shelf	Max weight
A	6 kg (13.2 lbs)
B	2 kg (4.4 lbs)
C	4 kg (8.8 lbs)
D	4 kg (8.8 lbs)



IMPORTANT

Ensure that the door is fully closed when the appliance is in operation. Failure to fully close the door can lead to excessive condensation and potential water damage to flooring under the appliance. Danby will not be responsible for damages from misuse.

OPERATING INSTRUCTIONS

TEMPERATURE SELECTION

The temperature of the appliance can be adjusted by turning the thermostat dial on the back of the cabinet.

- The thicker part of the blue line is the coldest setting.
- The thinner part of the blue line is the warmest setting.
- The "O" position will turn off the cooling function.
- The temperature can be set between: 0 ~ 10°C / 32 ~ 50°F.

Internal temperature of the appliance can vary based on ambient temperature, the quantity of items stored and how frequently the door is opened.

INTERIOR LIGHT

To manually operate the interior light, press the switch located on the thermostat housing on the back of the appliance. This allows the interior light to remain on while the door is closed.

Note: The light will default to off. It can be turned on to run continuously. Due to energy efficiency requirements for a refrigerator in this size, there is no option to have the light turn on automatically when the door is opened.

LEVELING INSTRUCTIONS

There is an adjustable leg on the bottom of the appliance that can be turned up or down to ensure that the appliance is level.

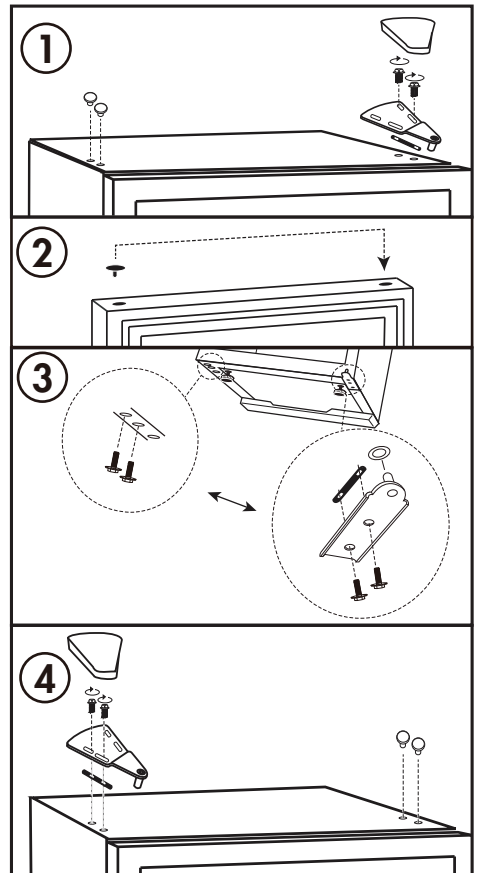
1. Turn the leveling leg counter-clockwise as far as it will go, until the top of the foot is touching the bottom of the cabinet.
2. Slowly turn the leveling leg clockwise until the appliance is level.

OPERATING INSTRUCTIONS

DOOR REVERSAL INSTRUCTIONS

If the appliance is placed on its back or side for any length of time, it must be allowed to remain upright for 6 hours before plugging it in to avoid damage to the internal components.

1. Remove the screw hole covers from the upper left side of the cabinet. Remove the hinge cover and the upper hinge from the upper right side of the cabinet.
2. Remove the door from the cabinet. Remove the hinge hole cover from the top left side of the door and place it in the hinge hole on the top right side of the door.
3. Remove the lower hinge and washer from the lower right side of the cabinet and install the hinge and washer on the lower left side of the cabinet.
4. Install the door. Install the upper hinge and hinge cover on the upper left side of the cabinet. Before tightening the screws in the upper hinge, ensure that the top of the door is level with the top of the cabinet and that the rubber gasket is making a good seal with the cabinet all the way around. Install the screw hole covers in the holes on the upper right side of the cabinet.



CARE & MAINTENANCE

CLEANING

- Ensure the appliance is unplugged before cleaning.
- Clean the inside and outside of the appliance with a soft cloth and some mild detergent. Ensure the interior is fully dry before plugging the appliance in.
- Wash removable shelves in a mild detergent solution, then dry and wipe with a soft cloth.
- It is important to keep the area clean where the door seals against the cabinet. Clean this area with a soapy cloth. Rinse with a damp cloth and let dry.
- To clean the plastic adjustable feet and adjusting nut, first remove all items from the appliance, then tilt back approximately 30° and remove the adjustable foot. The adjustable foot and screw thread can be cleaned with a brushing tool and then reinstalled.
- If the appliance is placed on its back or side during cleaning, upon reaching the destination, allow it to remain upright for 6 hours before plugging in to avoid damage to internal components.
- Do not use cleaners containing ammonia or alcohol on the appliance as they can damage the appearance of the appliance. Never use any commercial or abrasive cleaners or sharp objects on any part of the appliance.

POWER FAILURE

Most power failures are corrected within a few hours and should not affect the temperature of your appliance if you minimize the number of times the door is opened. If the power is going to be off for a longer period of time, take the proper steps to protect your contents.

Note: Wait 3 to 5 minutes before attempting to restart the refrigerator if operation has been interrupted.

CARE & MAINTENANCE

DEFROST

This appliance is equipped with an automatic defrost function and does not require manual defrosting. Defrost water from the appliance is channeled into a drip tray located above the compressor. Heat transfer from the compressor causes the defrost water to evaporate.

VACATION

- Short vacations: Leave the appliance operating during vacations of less than three weeks.
- Long vacations: If the appliance will not be used for several months, remove all items and turn off the appliance. Clean and dry the interior thoroughly. To prevent odor and mold growth, leave the door open slightly, blocking it open if necessary.

MOVING

- Remove all contents.
- Securely tape down all shelves.
- Turn the adjustable foot up to the base to avoid damage.
- Tape the door shut.
- Ensure the appliance stays in the upright position during transportation. Protect the outside of the appliance with a blanket.
- If the appliance is placed on its back or side during transportation, upon reaching the destination, allow it to remain upright for 6 hours before plugging in to avoid damage to internal components.

DISPOSAL

This appliance may not be treated as regular waste, it should be taken to the appropriate waste collection point for recycling of electrical components. For information on local waste collection points, contact your local waste removal agency or government office.

TROUBLESHOOTING

No power

- Plug is not fully inserted into the wall outlet
- Blown fuse or circuit breaker

Internal temperature not cold enough

- Temperature setting is too warm
- Door is not shut properly or opened excessively
- Recently added a large quantity of warm food to the cabinet
- Close proximity to heat source or direct sunlight
- Ambient temperature or humidity is very high

Refrigerator runs continuously / Condensation on the glass door

- Temperature setting is too cold
- Door not shut properly or opened excessively
- Recently added a large quantity of warm food to the cabinet
- Close proximity to heat source or direct sunlight
- Ambient temperature or humidity is very high

What is the electrical rating?

Check the rating plate on the rear of the cabinet.

Can I use an extension cord?

No, an extension cord may not be used.

Can I use this refrigerator outdoors?

No, this refrigerator is intended for indoor, household use.

How do I set the temperature?

Adjust the thermostat dial on the rear of the cabinet.

- The thicker part of the blue line is the coldest setting.
- The thinner part of the blue line is the warmest setting.
- The "O" position will turn off the cooling function.

LIMITED "IN HOME" WARRANTY

This quality product is warranted to be free from manufacturer's defects in material and workmanship, provided that the unit is used under the normal operating conditions intended by the manufacturer. This warranty is available only to the person to whom the unit was originally sold by Danby Products Limited (Canada) or Danby Products Inc. (U.S.A.) (hereafter "Danby") or by an authorized distributor of Danby, and is non-transferable.

TERMS OF WARRANTY

Plastic parts are warranted for thirty (30) days from the date of purchase, with no extensions provided.

First 24 months: During the first **twenty-four (24) months**, any functional parts of this product found to be defective, will be repaired or replaced, at warranter's option, at no charge to the original purchaser.

To obtain service: Contact the dealer where the unit was purchased, or contact the nearest authorized Danby service depot, where service must be performed by a qualified service technician. If service is performed on the unit by anyone other than an authorized service depot, all obligations of Danby under this warranty shall be void.

Boundaries of In Home service: Danby reserves the right to limit the boundaries of "In Home Service" to the proximity of an authorized service depot. Any appliance requiring service outside the limited boundaries of "In Home Service", will be the consumer's responsibility to transport at their own expense to the original point of purchase or a service depot for repair. If the appliance is installed in a location that is **100 kilometers (62 miles)** or more from the nearest service center, it must be delivered to the nearest authorized Danby Service Depot by the purchaser. **Transportation charges to and from the service location are not protected by this warranty and are the responsibility of the purchaser.**

Nothing within this warranty shall imply that Danby will be responsible or liable for any spoilage or damage to food or other contents of this appliance, whether due to any defect of the appliance, or its use, whether proper or improper.

EXCLUSIONS

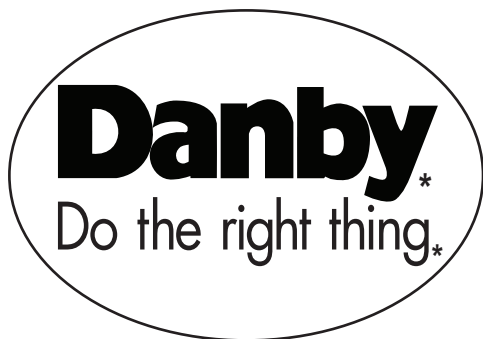
Save as herein provided, by Danby, there are no other warranties, conditions, representations or guarantees, express or implied, made or intended by Danby or its authorized distributors and all other warranties, conditions, representations or guarantees, including any warranties, conditions, representations or guarantees under any Sale of Goods Act or like legislation or statute is hereby expressly excluded. **Save as herein provided, Danby shall not be responsible for any damages to persons or property, including the unit itself, howsoever caused or any consequential damages arising from the malfunction of the unit and by the purchase of the unit, the purchaser does hereby agree to indemnify and hold harmless Danby from any claim for damages to persons or property caused by the unit.**

GENERAL PROVISIONS

No warranty or insurance herein contained or set out shall apply when damage or repair is caused by any of the following:

1. Power failure.
2. Damage in transit or when moving the appliance.
3. Improper power supply such as low voltage, defective house wiring or inadequate fuses.
4. Accident, alteration, abuse or misuse of the appliance such as inadequate air circulation in the room or abnormal operating conditions (i.e.. extremely high or low room temperature).
5. Use for commercial or industrial purposes (i.e.. If the appliance is not installed in a domestic residence).
6. Fire, water damage, theft, war, riot, hostility, acts of God such as hurricanes, floods etc.
7. Service calls resulting in customer education.
8. Improper Installation (ie. Building-in of a free standing appliance or using an appliance outdoors that is not approved for outdoor application, including but not limited to: garages, patios, porches or anywhere that is not properly insulated or climate controlled).

Proof of purchase date will be required for warranty claims; retain bills of sale. In the event that warranty service is required, present the proof of purchase to our authorized service depot.



Nous sommes fiers de nos produits de qualité et nous croyons en un service fiable. Vous avez droit à la couverture de la garantie telle que décrite dans ce manuel du propriétaire.

RÉFRIGÉRATEUR COMPACT	
Numéro de modèle	DAG016A2BDB
Numéro de série	
Date d'achat	

Veillez noter votre numéro de série et la date d'achat. **Vous devez conserver la preuve d'achat originale pour bénéficier des services de garantie.**

Enregistrez votre nouvel appareil en ligne et remplissez un sondage sur le produit pour recevoir une **EXTENSION DE GARANTIE GRATUITE DE 2 MOIS** sur www.danby.com/support/product-registration/

Visitez www.Danby.com pour accéder aux outils en libre-service, aux FAQ et bien plus encore.

Pour le **service client**, veuillez remplir le formulaire Web à l'adresse www.danby.com/support ou appeler le **1-800-263-2629**.

Danby Products Ltd, Guelph, Ontario, Canada N1H 6Z9
Danby Products Inc, Findlay, Ohio, USA 45840

*Marque de commerce des produits Danby

Imprimé en chine



Informations de sécurité importantes

LISEZ ET SUIVEZ TOUTES LES INSTRUCTIONS DE SÉCURITÉ

EXIGENCES DE SÉCURITÉ

DANGER : Risque d'incendie ou d'explosion. Liquide frigorigène inflammable utilisé. Ne pas percer les tubes de réfrigérant.

- N'utilisez pas de dispositifs mécaniques pour dégivrer le réfrigérateur.
- Assurez-vous que l'entretien est effectué par le personnel de service autorisé en usine, afin de minimiser les dommages sur les produits ou les questions de sécurité.
- Consultez le manuel de réparation ou le guide du propriétaire avant d'essayer de réparer ce produit. Toutes les précautions de sécurité doivent être respectées.
- Éliminer conformément aux règlements fédéraux ou locaux.
- Suivez attentivement les instructions de manutention.

AVERTISSEMENT : Garder les ouvertures de ventilation, dans l'enceinte de l'appareil ou dans la structure intégrée, sans obstruction.

AVERTISSEMENT : N'utilisez pas de dispositifs mécaniques ou d'autres moyens pour accélérer le processus de dégivrage, autres que ceux recommandés par le fabricant.

AVERTISSEMENT : Ne pas endommager le circuit de réfrigérant.

AVERTISSEMENT : N'utilisez pas d'appareils électriques à l'intérieur des compartiments de stockage d'aliments de l'appareil, à moins qu'ils ne soient du type recommandé par le fabricant.

ATTENTION : Les enfants devraient être surveillés pour s'assurer qu'ils ne jouent pas avec l'appareil.

CONSERVEZ CES INSTRUCTIONS!



Informations de sécurité importantes

LISEZ ET SUIVEZ TOUTES LES INSTRUCTIONS DE SÉCURITÉ

EXIGENCES DE SÉCURITÉ

DANGER : Risque de piégeage des enfants. Avant de jeter un ancien appareil :

- Retirez la porte ou le couvercle.
- Laissez les étagères en place afin que les enfants ne puissent pas facilement monter à l'intérieur.

Cet appareil n'est pas destiné à être utilisé par des personnes (y compris des enfants) dont les capacités physiques, sensorielles ou mentales peuvent être différentes ou réduites, ou qui manquent d'expérience ou de connaissances, à moins que ces personnes ne soient supervisées ou formées à l'utilisation de l'appareil par une personne responsable de leur sécurité.

Ne stockez pas de substances explosives telles que des bombes aérosols avec un propulseur inflammable dans cet appareil.

Cet équipement est conçu pour le stockage et la présentation de produits en bouteille ou en conserve qui ne nécessitent pas de contrôle du temps ou de la température pour des raisons de sécurité. Cela signifie que tout aliment placé dans cet appareil doit être correctement emballé et ne doit pas être d'un type susceptible de se gâter facilement ou rapidement.

CONSERVEZ CES INSTRUCTIONS!



Informations de sécurité importantes

LISEZ ET SUIVEZ TOUTES LES INSTRUCTIONS DE SÉCURITÉ

INSTRUCTIONS DE MISE À LA TERRE

Cet appareil doit être mis à la terre. La mise à la terre réduit le risque de choc électrique en fournissant un fil d'échappement pour le courant électrique.

Cet appareil possède un cordon doté d'un fil de mise à la terre avec une fiche à 3 broches. Le cordon d'alimentation doit être branché sur une prise correctement mise à la terre. Si la sortie est une prise murale à 2 broches, elle doit être remplacée par une prise murale à 3 broches correctement mise à la terre. La plaque signalétique en série indique la tension et la fréquence auxquelles l'appareil est conçu.

AVERTISSEMENT - Une utilisation incorrecte de la fiche de mise à la terre peut entraîner un risque d'électrocution. Consultez un électricien qualifié ou un agent de service si les instructions de mise à la terre ne sont pas complètement comprises ou s'il existe un doute quant à savoir si l'appareil est correctement mis à la terre.

Ne branchez pas votre appareil à des rallonges ou avec un autre appareil dans la même prise murale. Ne pas épisser le cordon d'alimentation. Ne coupez ou retirez en aucun cas la troisième broche du cordon d'alimentation. N'utilisez pas de cordons de prolongement ou d'adaptateurs sans mise à la terre (deux broches).

Si le cordon d'alimentation est endommagé, il doit être remplacé par le fabricant, son agent de service ou une personne qualifiée similaire afin d'éviter tout risque.

CONSERVEZ CES INSTRUCTIONS!



Informations de sécurité importantes

LISEZ ET SUIVEZ TOUTES LES INSTRUCTIONS DE SÉCURITÉ

Le type de climat de cet appareil est 3, 4. Les conditions de température et d'humidité ambiantes de la classe climatique suivent l'onglet ci-dessous.

Classe climatique de la salle d'essai	Température de bulbe sec (°C)	Humidité relative	Point de rosée (°C)	Masse de vapeur d'eau dans l'air sec (g/kg)
0	20	50	9.3	7.3
1	16	80	12.6	9.1
8	23.9	55	14.3	10.2
2	22	65	15.2	10.8
3	25	60	16.7	12.0
4	30	55	20.0	14.8
6	27	75	21.1	15.8
5	40	40	23.9	18.8
7	35	75	30.0	27.3

REMARQUE : la masse de vapeur d'eau dans l'air sec est l'un des principaux points influençant les performances et la consommation énergétique des refroidisseurs. Par conséquent, l'ordre de la classe climatique dans le tableau est basé sur la colonne de masse de vapeur d'eau.

CONSERVEZ CES INSTRUCTIONS!

INSTRUCTIONS D'INSTALLATION

EMPLACEMENT

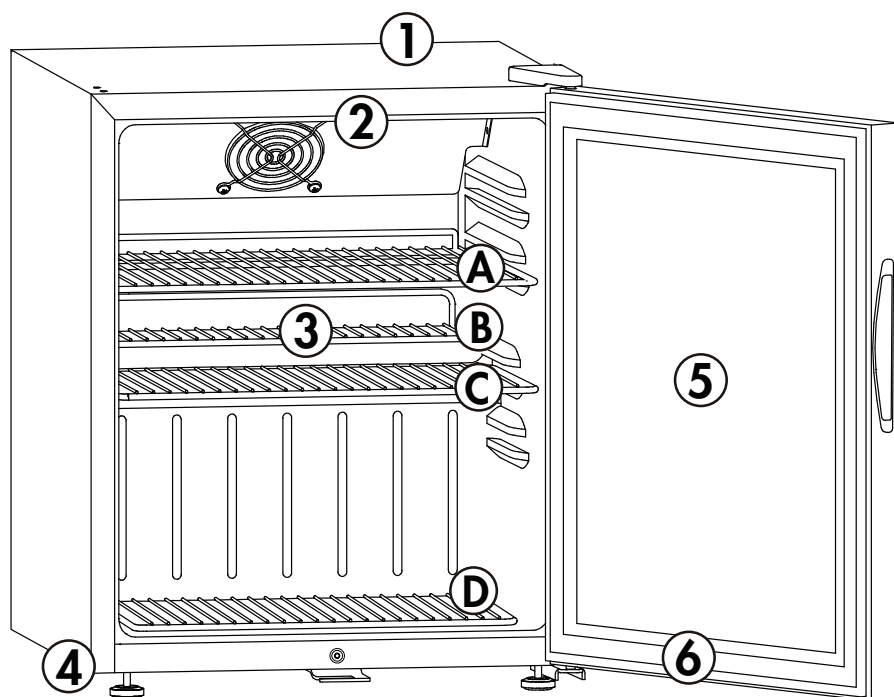
- Deux personnes doivent être utilisées pour déplacer l'appareil.
- Retirer l'emballage intérieur et extérieur avant l'installation. Essuyez l'extérieur de l'appareil avec un chiffon doux et sec et à l'intérieur avec un chiffon humide tiède.
- Placez votre appareil sur un plancher qui est assez fort pour le soutenir quand il est complètement chargé.
- Ne placez pas l'appareil directement dans la lumière du soleil ou à proximité de sources de chaleur, comme un poêle ou un réchauffeur, car cela peut augmenter la consommation électrique. Des températures ambiantes extrêmes et froides peuvent également provoquer dysfonctionnement de l'appareil.
- Ne pas utiliser ce produit près de l'eau, par exemple, dans un sous-sol humide ou près d'un évier.
- Cet appareil est destiné à une utilisation en intérieur uniquement. Il n'est pas conçu pour être installé à l'extérieur, y compris dans les endroits où la température n'est pas contrôlée (garages, porches, véhicules, etc.).
- Avant de brancher l'appareil à une source d'alimentation, laissez-le debout pendant environ 6 heures; Ceci réduira la possibilité d'un dysfonctionnement dans le système de refroidissement de la manipulation pendant le transport.
- Cet appareil est 44,5 cm (17,5 pouces) de large par 50,5 cm (19,9 pouces) de haut par 50 cm (19,7 pouces) de profondeur; assurez-vous de laisser le dégagement minimum d'entre l'appareil et tous les murs environnants et les ouvertures.
- Laissez 12,7 cm (5 pouces) d'espace entre le dos, les côtés et le dessus de l'appareil et les parois adjacentes.
- Cet appareil est destiné uniquement à une installation autonome et ne doit pas être intégré dans une armoire ou un compteur. La construction de cet appareil peut provoquer un dysfonctionnement.

INSTRUCTIONS D'UTILISATION

CARACTÉRISTIQUES

1. Cadran thermostat (à l'arrière de l'armoire)
2. Éclairage LED
3. Étagères en fil revêtu de plastique
4. Pied réglable
5. Porte en verre trempé
6. Serrure de porte

Étagère	Poids maximum
A	6 kg (13,2 livres)
B	2 kg (4,4 livres)
C	4 kg (8,8 livres)
D	4 kg (8,8 livres)



IMPORTANTE

Assurez-vous que la porte est complètement fermée lorsque l'appareil est en marche. Le fait de ne pas fermer complètement la porte peut entraîner une condensation excessive et des dégâts d'eau potentiels au plancher sous l'appareil. Danby ne sera pas responsable des dommages résultant d'une mauvaise utilisation.

INSTRUCTIONS D'UTILISATION

SÉLECTION DE LA TEMPÉRATURE

La température de l'appareil peut être réglée en tournant le bouton du thermostat à l'arrière de l'armoire.

- La partie la plus épaisse de la ligne bleue est le réglage le plus froid.
- La partie la plus fine de la ligne bleue est le réglage le plus chaud.
- La position "O" éteindra la fonction de refroidissement.
- La température peut être réglée entre : 0 ~ 10°C / 32 ~ 50°F.

La température interne de l'appareil peut varier en fonction de la température ambiante, de la quantité d'articles stockés et de la fréquence d'ouverture de la porte.

LUMIÈRE INTÉRIEURE

Pour faire fonctionner manuellement l'éclairage intérieur, appuyez sur l'interrupteur situé sur le boîtier du thermostat à l'arrière de l'appareil. Ceci permet à la lumière intérieure de rester allumée pendant que la porte est fermée.

Remarque: La lumière sera éteinte par défaut. Il peut être allumé pour fonctionner en continu. En raison des exigences d'efficacité énergétique pour un réfrigérateur de cette taille, il n'y a pas d'option pour que la lumière s'allume automatiquement lorsque la porte est ouverte.

INSTRUCTIONS DE NIVEAU

Il y a une patte réglable au bas de l'appareil qui peut être montée ou bas pour s'assurer que l'appareil est au niveau.

1. Tournez la jambe de nivellement dans le sens inverse des aiguilles d'une montre aussi loin que possible, jusqu'à ce que le haut du pied touche le bas du cabinet.
2. Tournez lentement la jambe de nivellement dans le sens des aiguilles d'une montre jusqu'à ce que l'appareil soit à niveau.

INSTRUCTIONS D'UTILISATION

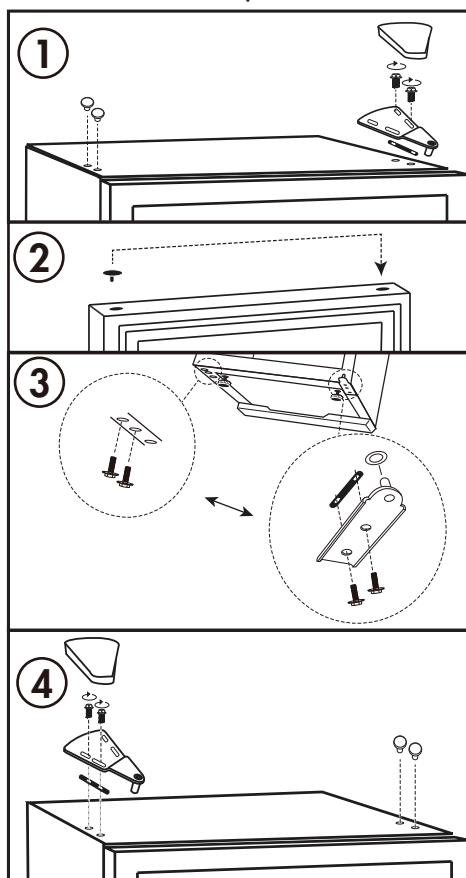
INSTRUCTIONS D'INVERSION DE PORTE

Si l'appareil est placé sur le dos ou sur le côté pendant une durée quelconque, il doit rester debout pendant 6 heures avant de le brancher pour éviter d'endommager les composants internes.

1. Retirez les couvercles des trous de vis du côté supérieur gauche de l'armoire. Retirez le couvercle de la charnière et la charnière supérieure du côté supérieur droit de l'armoire.
2. Retirez la porte de l'armoire. Retirez le couvercle du trou de la charnière du côté supérieur gauche de la porte et placez-le dans le trou de la charnière sur le côté supérieur droit de la porte.

3. Retirez la charnière inférieure et la rondelle du côté inférieur droit de l'armoire et installez la charnière et la rondelle sur le côté inférieur gauche de l'armoire.

4. Installez la porte. Installez la charnière supérieure et le couvercle de la charnière sur le côté supérieur gauche de l'armoire. Avant de serrer les vis de la charnière supérieure, assurez-vous que le haut de la porte est au même niveau que le haut de l'armoire et que le joint en caoutchouc assure une bonne étanchéité avec l'armoire tout autour. Installez les couvercles des trous de vis dans les trous du côté supérieur droit de l'armoire.



NETTOYAGE

- Assurez-vous que l'appareil est débranché avant de le nettoyer.
- Nettoyez l'intérieur et l'extérieur de l'appareil avec un chiffon doux et un peu de détergent doux. Assurez-vous que l'intérieur est complètement sec avant de brancher l'appareil.
- Lavez les étagères amovibles dans une solution détergente douce, puis séchez-les et essuyez-les avec un chiffon doux.
- Il est important de garder propre la zone où la porte se scelle contre l'armoire. Nettoyez cette zone avec un chiffon savonneux. Rincez avec un chiffon humide et laissez sécher.
- Pour nettoyer les pieds réglables en plastique et l'écrou de réglage, retirez d'abord tous les éléments de l'appareil, puis inclinez-le vers l'arrière d'environ 30° et retirez le pied réglable. Le pied réglable et le pas de vis peuvent être nettoyés avec un outil de brossage puis réinstallés.
- Si l'appareil est placé sur le dos ou sur le côté pendant le nettoyage, une fois arrivé à destination, laissez-le rester debout pendant 6 heures avant de le brancher pour éviter d'endommager les composants internes.
- N'utilisez pas de nettoyeurs contenant de l'ammoniac ou de l'alcool sur l'appareil car ils peuvent endommager l'apparence de l'appareil. N'utilisez jamais de nettoyeurs commerciaux ou abrasifs ou d'objets pointus sur aucune partie de l'appareil.

PANNE DE COURANT

La plupart des pannes de courant ne durent que quelques heures et ne devraient pas modifier la température de votre l'appareil si vous réduisez au maximum le nombre de fois où la porte est ouverte. Si le courant reste coupé pendant une longue période, il faut prendre des mesures de protection du contenu de l'appareil.

Remarque: Attendez 3 à 5 minutes avant d'essayer de redémarrer le réfrigérateur si l'opération a été interrompue.

DÉGIVRER

Cet appareil est équipé d'une fonction de dégivrage automatique et ne nécessite pas de dégivrage manuel. Le dégivrage de l'eau de l'appareil est canalisé dans un tiroir situé au-dessus du compresseur. Le transfert de chaleur du compresseur provoque l'évaporation de l'eau de dégivrage.

VACANCES

- Courtes vacances: Laissez le unité fonctionner pendant les vacances durant moins de trois semaines.
- Longues vacances: Si l'unité ne doit pas être utilisé pendant plusieurs mois, retirez tout ce qu'il contient et mettez-le hors tension. Nettoyez et asséchez à fond l'intérieur. Pour éviter les odeurs et le développement de moisissures, laissez la porte entrouverte, la coincer au besoin.

DÉMÉNAGER

- Supprimez tous les contenus.
- Verrouille en toute sécurité toutes les étagères.
- Tournez le pied réglable vers le bas pour éviter d'endommager.
- Fermez la porte.
- Assurez-vous que l'appareil reste en position verticale pendant le transport. Protégez l'extérieur de l'appareil avec une couverture.
- Si l'appareil est placé sur son dos ou sur son côté pendant le transport, en arrivant à la destination, laissez-le rester debout pendant 6 heures avant de brancher pour éviter d'endommager les composants internes.

ÉLIMINATION DES DÉCHETS

Cet appareil ne doit pas être traité comme un déchet ordinaire, il doit être amené au point de collecte des déchets approprié pour le recyclage des composants électriques. Pour plus d'informations sur les points de collecte des déchets locaux, contactez votre agence de collecte des déchets locale ou le bureau du gouvernement.

DÉPANNAGE

Aucune puissance

- La fiche n'est pas complètement insérée dans la prise murale
- Fusible ou disjoncteur grillé

Température interne pas assez froide

- Le réglage de la température est trop chaud
- La porte n'est pas bien fermée ou ouverte de manière excessive
- Récemment ajouté une grande quantité d'aliments chauds dans l'armoire
- Proximité d'une source de chaleur ou de la lumière directe du soleil
- La température ou l'humidité ambiante est très élevée

Le réfrigérateur fonctionne en continu / Condensation sur la porte vitrée

- Le réglage de la température est trop froid
- Porte mal fermée ou trop ouverte
- Récemment ajouté une grande quantité d'aliments chauds dans l'armoire
- Proximité d'une source de chaleur ou de la lumière directe du soleil
- La température ou l'humidité ambiante est très élevée

Quelle est la puissance électrique ?

Vérifiez la plaque signalétique à l'arrière de l'armoire.

Puis-je utiliser une rallonge ?

Non, une rallonge ne peut pas être utilisée.

Puis-je utiliser ce réfrigérateur à l'extérieur ?

Non, ce réfrigérateur est destiné à un usage domestique à l'intérieur.

Comment régler la température ?

Réglez le cadran du thermostat à l'arrière de l'armoire.

- La partie la plus épaisse de la ligne bleue est le réglage le plus froid.
- La partie la plus fine de la ligne bleue est le réglage le plus chaud.
- La position « O » éteindra la fonction de refroidissement.

GARANTIE LIMITÉE « À DOMICILE »

Ce produit de qualité est garanti exempt de défauts de matériaux et de fabrication, à condition que l'appareil soit utilisé dans les conditions de fonctionnement normales prévues par le fabricant. Cette garantie est offerte uniquement à la personne à qui l'appareil a été initialement vendu par Danby Products Limited (Canada) ou Danby Products Inc. (U.S.A.) (ci-après « Danby ») ou par un distributeur autorisé de Danby, et n'est pas transférable.

CONDITIONS DE GARANTIE

Les pièces en plastique sont garanties pendant trente (30) jours à compter de la date d'achat, sans prolongation prévue.

24 premiers mois : Au cours des **vingt-quatre (24) premiers mois**, toutes les pièces fonctionnelles de ce produit jugées défectueuses seront réparées ou remplacées, au choix de la garantie, sans frais pour l'acheteur d'origine.

Pour obtenir un service : Contactez le revendeur auprès duquel l'appareil a été acheté ou contactez le centre de service agréé Danby le plus proche, où le service doit être effectué par un technicien de service qualifié. Si le service est effectué sur l'appareil par une personne autre qu'un centre de service autorisé, toutes les obligations de Danby en vertu de cette garantie seront annulées.

Limites du service à domicile : Danby se réserve le droit de limiter les limites du « service à domicile » à la **proximité d'un dépôt de service autorisé**. Tout appareil nécessitant un service en dehors des limites limitées du "service à domicile" sera la responsabilité du consommateur de le transporter à ses propres frais jusqu'au point d'achat d'origine ou à un dépôt de service pour réparation. Si l'appareil est installé dans un endroit situé à **100 kilomètres (62 milles)** ou plus du centre de service le plus proche, il doit être livré par l'acheteur au dépôt de service agréé Danby le plus proche. **Les frais de transport vers et depuis le lieu de service ne sont pas couverts par cette garantie et sont à la charge de l'acheteur.**

Rien dans cette garantie n'implique que Danby sera responsable de toute détérioration ou dommage à la nourriture ou à tout autre contenu de cet appareil, que ce soit en raison d'un défaut de l'appareil ou de son utilisation, qu'elle soit approuvée ou non.

EXCLUSION

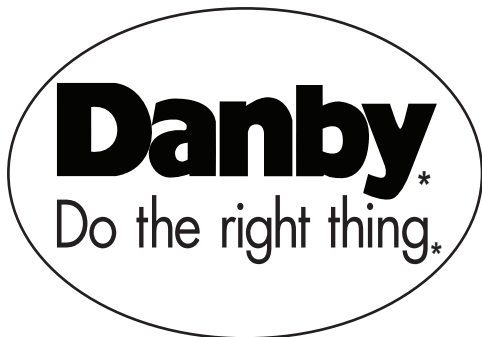
À l'exception de ce qui est prévu dans les présentes, par Danby, il n'y a aucune autre garantie, condition, représentation ou garantie, expresse ou implicite, faite ou prévue par Danby ou ses distributeurs autorisés et toutes les autres garanties, conditions, représentations ou garanties, y compris les garanties, conditions, les représentations ou garanties en vertu de toute loi sur la vente de marchandises ou d'une législation ou d'un statut similaire sont expressément exclues. **Sauf dans les cas prévus aux présentes, Danby ne sera pas responsable des dommages aux personnes ou aux biens, y compris l'unité elle-même, quelle qu'en soit la cause ou de tout dommage consécutif résultant du dysfonctionnement de l'unité et par l'achat de l'unité, l'acheteur accepte par la présente de indemniser et dégager Danby de toute réclamation pour dommages aux personnes ou aux biens causés par l'appareil.**

DISPOSITIONS GÉNÉRALES

Aucune garantie ou assurance contenue ou énoncée dans les présentes ne s'applique lorsque des dommages ou des réparations sont causés par l'un des éléments suivants :

1. Panne électrique.
2. Dommages pendant le transport ou lors du déplacement de l'appareil.
3. Alimentation électrique inappropriée telle qu'une basse tension, un câblage domestique défectueux ou des fusibles inadéquats.
4. Accident, altération, abus ou mauvaise utilisation de l'appareil, comme une circulation d'air inadéquate dans la pièce ou des conditions de fonctionnement anormales (c'est-à-dire une température ambiante extrêmement élevée ou basse).
5. Utilisation à des fins commerciales ou industrielles (c'est-à-dire si l'appareil n'est pas installé dans une résidence domestique).
6. Incendie, dégâts des eaux, vol, guerre, émeute, hostilité, catastrophes naturelles telles que ouragans, inondations, etc.
7. Appels de service entraînant l'éducation des clients.
8. Installation incorrecte (c'est-à-dire l'encastrement d'un appareil autonome ou l'utilisation d'un appareil à l'extérieur qui n'est pas approuvé pour une application extérieure, y compris, mais sans s'y limiter : les garages, les patios, les porches ou tout autre endroit qui n'est pas correctement isolé ou climatisé).

Une preuve de la date d'achat sera requise pour les demandes de garantie ; conserver les factures de vente. Dans le cas où un service de garantie est requis, présentez la preuve d'achat à notre centre de service autorisé.



Estamos orgullosos de nuestros productos de calidad y creemos en un servicio confiable. Tiene derecho a la cobertura de garantía como se describe en este manual del propietario.

REFRIGERADOR COMPACTO	
Número de modelo	DAG016A2BDB
Número de serie	
Fecha de compra	

Anote su número de serie y la fecha de compra. **Debe conservar el comprobante original del recibo de compra para recibir los servicios de garantía.**

Registre su nuevo electrodoméstico en línea y complete una encuesta sobre el producto para recibir una **EXTENSIÓN GRATUITA DE 2 MESES DE GARANTÍA** en www.danby.com/support/product-registration/

Visite www.Danby.com para acceder a herramientas de autoservicio, preguntas frecuentes y mucho más.

Para **servicio al cliente**, complete el formulario web en www.danby.com/support o llame al **1-800-263-2629**.

Danby Products Ltd, Guelph, Ontario, Canada N1H 6Z9
Danby Products Inc, Findlay, Ohio, USA 45840

*Marca registrada de productos Danby

Impreso en China



Información de Seguridad Importante

LEA Y SIGA TODAS LAS INSTRUCCIONES DE SEGURIDAD

REQUERIMIENTOS DE SEGURIDAD

PELIGRO: Riesgo de incendio o explosión. Refrigerante inflamable usado. No perforar la tubería del refrigerante.

- No utilice dispositivos mecánicos para descongelar el refrigerador.
- Asegúrese de que el personal de mantenimiento autorizado por la fábrica haga el mantenimiento para minimizar los daños o problemas de seguridad del producto.
- Consulte el manual de reparación o la guía del propietario antes de intentar reparar este producto. Todas las precauciones de seguridad deben ser seguidas.
- Deseche adecuadamente de acuerdo con las regulaciones federales o locales.
- Siga cuidadosamente las instrucciones de manipulación.
- Este equipo está diseñado para el almacenamiento y exhibición de productos embotellados o enlatados sin control de tiempo/temperatura únicamente.

ADVERTENCIA: Mantenga las aberturas de ventilación, en la caja del aparato o en la estructura incorporada, sin obstrucción.

ADVERTENCIA: No utilice dispositivos mecánicos u otros medios para acelerar el proceso de descongelación, distintos de los recomendados por el fabricante.

ADVERTENCIA: No dañar el circuito refrigerante.

ADVERTENCIA: No utilice electrodomésticos dentro de los compartimentos de almacenamiento de alimentos del aparato, a menos que sean del tipo recomendado por el fabricante.

PRECAUCIÓN: Los niños deben ser supervisados para asegurarse de que no juegan con el aparato.

¡GUARDA ESTAS INSTRUCCIONES!



Información de Seguridad Importante

LEA Y SIGA TODAS LAS INSTRUCCIONES DE SEGURIDAD

REQUERIMIENTOS DE SEGURIDAD

PELIGRO: Riesgo de atrapamiento de niños. Antes de tirar un electrodoméstico viejo:

- Retire la puerta o la tapa.
- Deje los estantes en su lugar para que los niños no puedan subir fácilmente dentro.

Este electrodoméstico no está diseñado para que lo usen personas (incluidos los niños) cuyas capacidades físicas, sensoriales o mentales puedan ser diferentes o reducidas, o que carezcan de experiencia o conocimiento, a menos que dichas personas reciban supervisión o capacitación para operar el electrodoméstico por parte de una persona responsable de su seguridad.

No almacene sustancias explosivas como latas de aerosol con un propulsor inflamable en este aparato.

Este equipo está diseñado para el almacenamiento y visualización de productos embotellados o enlatados que no requieren control de tiempo o temperatura para su seguridad. Esto significa que cualquier alimento que se coloque en este electrodoméstico debe estar debidamente empacado y no debe ser de un tipo que se eche a perder fácil o rápidamente.

¡GUARDA ESTAS INSTRUCCIONES!



Información de Seguridad Importante

LEA Y SIGA TODAS LAS INSTRUCCIONES DE SEGURIDAD

INSTRUCCIONES DE CONEXION A TIERRA

Este aparato debe estar conectado a tierra. La puesta a tierra reduce el riesgo de descarga eléctrica proporcionando un cable de escape para la corriente eléctrica.

Este aparato tiene un cable que tiene un cable de conexión a tierra con un enchufe de 3 clavijas. El cable de alimentación debe estar enchufado en un tomacorriente que esté debidamente conectado a tierra. Si el tomacorriente es un enchufe de pared de 2 terminales, debe ser reemplazado por un tomacorriente de pared de 3 clavijas debidamente conectado a tierra. La placa de características en serie indica el voltaje y la frecuencia que el aparato está diseñado para.

ADVERTENCIA - El uso incorrecto del enchufe de conexión a tierra puede resultar en un riesgo de descarga eléctrica. Consulte a un electricista calificado o agente de servicio si las instrucciones de conexión a tierra no se entienden completamente o si existe duda sobre si el aparato está debidamente conectado a tierra.

No conecte el aparato a los cables de extensión ni con otro aparato en la misma toma de corriente. No empalme el cable de alimentación. No corte ni extraiga en ningún caso la tercera clavija de tierra del cable de alimentación. No utilice cables de extensión ni adaptadores sin conexión a tierra (dos clavijas).

Si el cable de alimentación está dañado, debe ser reemplazado por el fabricante, su agente de servicio o persona calificada similar para evitar riesgos.

¡GUARDA ESTAS INSTRUCCIONES!



Información de Seguridad Importante

LEA Y SIGA TODAS LAS INSTRUCCIONES DE SEGURIDAD

El tipo de clima de este electrodoméstico es 3, 4. La temperatura ambiente y las condiciones de humedad de la clase de clima siguen la ficha a continuación.

Clase climática de la sala de pruebas	Temperatura de bulbo seco (°C)	Humedad relativa	Punto de rocío (°C)	Masa de vapor de agua en aire seco (g/kg)
0	20	50	9.3	7.3
1	16	80	12.6	9.1
8	23.9	55	14.3	10.2
2	22	65	15.2	10.8
3	25	60	16.7	12.0
4	30	55	20.0	14.8
6	27	75	21.1	15.8
5	40	40	23.9	18.8
7	35	75	30.0	27.3

NOTA: la masa de vapor de agua en el aire seco es uno de los principales puntos que influyen en el rendimiento y el consumo de energía de los enfriadores. Por lo tanto, el orden de la clase climática en la tabla se basa en la columna de masa de vapor de agua.

¡GUARDA ESTAS INSTRUCCIONES!

INSTRUCCIONES DE INSTALACIÓN

UBICACIÓN

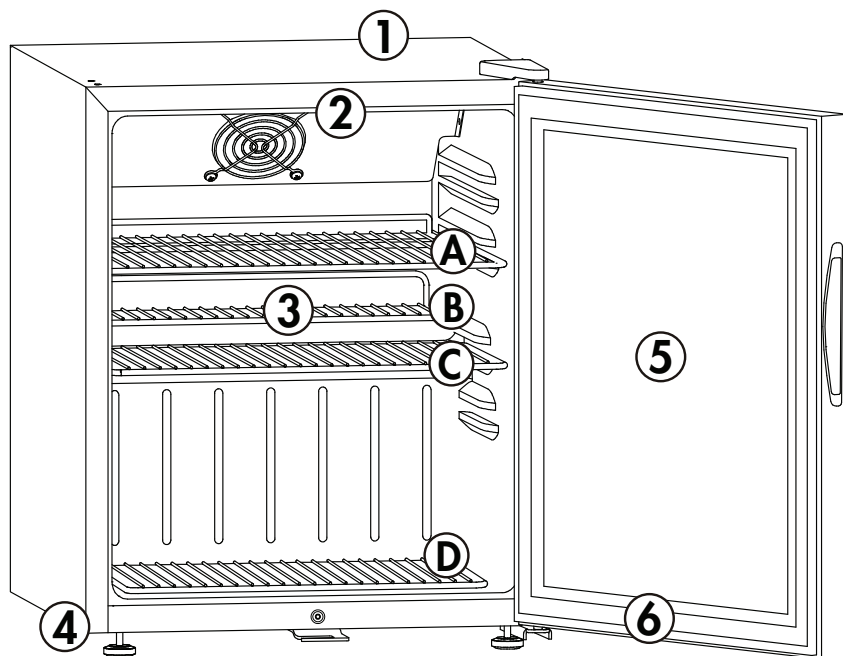
- Se deben utilizar dos personas al mover el aparato.
- Retire el embalaje interior y exterior antes de la instalación. Limpie el exterior del aparato con un paño suave y seco y el interior con un paño húmedo tibio.
- Coloque el aparato en un piso que sea lo suficientemente fuerte como para soportarlo cuando esté completamente cargado.
- Ubique el aparato lejos de la luz directa del sol y fuentes de calor (estufa, calentador, radiador, etc.). La luz solar directa y las fuentes de calor pueden aumentar el consumo eléctrico. Las temperaturas ambientales extremadamente frías también pueden causar que la unidad funcione incorrectamente.
- No utilice este producto cerca del agua, por ejemplo, en un sótano húmedo o cerca de un fregadero.
- Este aparato está diseñado solo para uso en interiores. No está diseñado para instalación en el exterior, incluso en lugares donde no se controla la temperatura (garajes, porches, vehículos, etc.).
- Antes de conectar el aparato a una fuente de alimentación, deje que se mantenga erguido durante aproximadamente 6 horas; Esto reducirá la posibilidad de un malfuncionamiento en el sistema de enfriamiento debido a la manipulación durante el transporte.
- Este aparato tiene 44.5 cm (17.5 pulgadas) de ancho por 50.5 cm (19.9 pulgadas) de alto por 50 cm (19.7 pulgadas) de profundidad; por favor asegúrese de dejar un espacio mínimo entre la unidad y todas las paredes circundantes y las aberturas de ventilación.
- Espere 12.7 cm (5 pulgadas) de espacio entre la parte posterior, los lados y la parte superior del aparato y todas las paredes adyacentes.
- Este aparato está diseñado para instalación independiente y no está diseñado para ser instalado en un gabinete o mostrador. La construcción en este aparato puede causar un mal funcionamiento.

INSTRUCCIONES DE OPERACIÓN

CARACTERÍSTICAS

1. Dial del termostato (en la parte posterior del gabinete)
2. Iluminación LED
3. Estantes de alambre recubiertos de plástico
4. Pie ajustable
5. Puerta de vidrio templado
6. Cerradura de la puerta

Estante	Peso máximo
A	6 kg (13,2 libras)
B	2 kg (4,4 libras)
C	4 kg (8,8 libras)
D	4 kg (8,8 libras)



IMPORTANTE

Asegúrese de que la puerta esté completamente cerrada cuando el aparato esté en funcionamiento. Si no cierra completamente la puerta, puede producirse una condensación excesiva y daños potenciales por agua en el piso debajo del electrodoméstico. Danby no será responsable de los daños causados por el mal uso.

INSTRUCCIONES DE OPERACIÓN

SELECCION DE TEMPERATURA

La temperatura del aparato se puede ajustar girando el dial del termostato en la parte posterior del gabinete.

- La parte más gruesa de la línea azul es la configuración más fría.
- La parte más delgada de la línea azul es la configuración más cálida.
- La posición "O" desactivará la función de enfriamiento.
- La temperatura se puede configurar entre: 0 ~ 10°C / 32 ~ 50°F.

La temperatura interna del aparato puede variar en función de la temperatura ambiente, la cantidad de artículos almacenados y la frecuencia con que se abre la puerta.

LUZ INTERIOR

Para operar manualmente la luz interior, presione el interruptor ubicado en la carcasa del termostato en la parte posterior del aparato. Esto permite que el interior permanezca cerrado.

Nota: La luz se apagará por defecto. Se puede encender para que funcione de forma continua. Debido a los requisitos de eficiencia energética para un refrigerador de este tamaño, no existe la opción de que la luz se encienda automáticamente cuando se abre la puerta.

INSTRUCCIONES DE NIVELACIÓN

Hay una pata ajustable en la parte inferior del aparato que se puede subir o bajar para asegurarse de que el aparato esté nivelado.

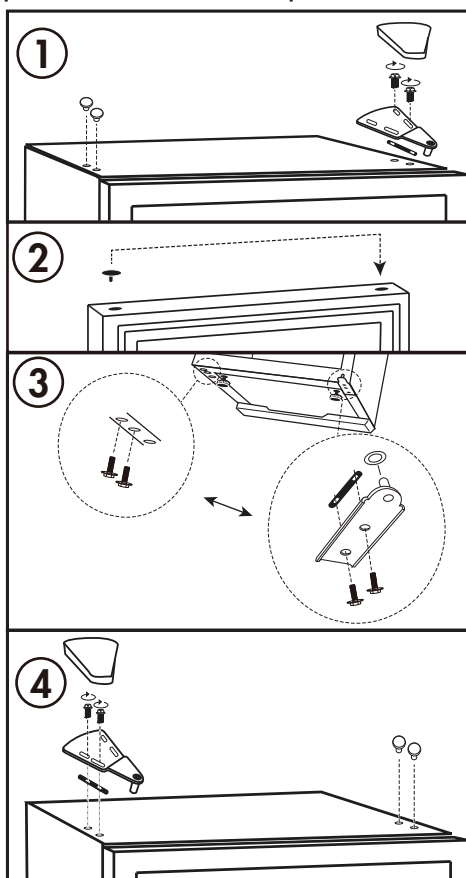
1. Gire la pierna de nivelación en el sentido de las agujas del reloj hasta el tope, hasta que la parte superior del pie toque la parte inferior del gabinete.
2. Gire lentamente la pierna de nivelación en el sentido de las agujas del reloj hasta que el aparato esté nivelado.

INSTRUCCIONES DE OPERACIÓN

INSTRUCCIONES DE REVERSIÓN DE PUERTA

Si el aparato se coloca sobre su parte posterior o lateral durante un período de tiempo prolongado, debe permanecer en posición vertical durante 6 horas antes de enchufarlo para evitar daños a los componentes internos.

1. Retire las cubiertas de los orificios para tornillos del lado superior izquierdo del gabinete. Retire la cubierta de la bisagra y la bisagra superior del lado superior derecho del gabinete.
2. Retire la puerta del gabinete. Retire la cubierta del orificio de la bisagra del lado superior izquierdo de la puerta y colóquela en el orificio de la bisagra en el lado superior derecho de la puerta.
3. Retire la bisagra inferior y la arandela del lado inferior derecho del gabinete e instale la bisagra y la arandela en el lado inferior izquierdo del gabinete.
4. Instale la puerta. Instale la bisagra superior y la cubierta de la bisagra en el lado superior izquierdo del gabinete. Antes de apretar los tornillos en la bisagra superior, asegúrese de que la parte superior de la puerta esté nivelada con la parte superior del gabinete y que la junta de goma esté sellando bien con el gabinete en todos los sentidos. Instale las tapas de los orificios para tornillos en los orificios del lado superior derecho del gabinete.



CUIDADO Y MANTENIMIENTO

LIMPIEZA

- Asegúrese de que el aparato esté desenchufado antes de limpiarlo.
- Limpie el interior y el exterior del aparato con un paño suave y un poco de detergente suave. Asegúrese de que el interior esté completamente seco antes de enchufar el aparato.
- Lave los estantes removibles en una solución de detergente suave, luego séquelos y límpielos con un paño suave.
- Es importante mantener limpia el área donde la puerta sella contra el gabinete. Limpie esta área con un paño jabonoso. Enjuague con un paño húmedo y deje secar.
- Para limpiar las patas ajustables de plástico y la tuerca de ajuste, primero retire todos los elementos del aparato, luego inclínelo hacia atrás aproximadamente 30° y retire la pata ajustable. El pie ajustable y la rosca del tornillo se pueden limpiar con una herramienta de cepillado y luego volver a instalar.
- Si el aparato se coloca sobre su parte posterior o lateral durante la limpieza, al llegar a su destino, déjelo en posición vertical durante 6 horas antes de enchufarlo para evitar daños a los componentes internos.
- No utilice limpiadores que contengan amoníaco o alcohol en el aparato, ya que pueden dañar la apariencia del aparato. Nunca use limpiadores comerciales o abrasivos ni objetos afilados en ninguna parte del aparato.

FALLO DE ALIMENTACIÓN

La mayoría de las fallas de alimentación se corrigen en pocas horas y no deben afectar la temperatura de su aparato si minimiza el número de veces que se abre la puerta. Si la alimentación va a estar apagada por un período de tiempo más largo, tome las medidas apropiadas para proteger su contenido.

Nota: Espere de 3 a 5 minutos antes de intentar reiniciar el refrigerador si se ha interrumpido la operación.

CUIDADO Y MANTENIMIENTO

DESCONGELAR

Esta unidad está equipada con una función de descongelación automática y no requiere descongelación manual. El agua de descongelación del aparato se canaliza en una bandeja de goteo situada por encima del compresor. La transferencia de calor desde el compresor hace que el agua de descongelación se evapore.

VACACIONES

- Vacaciones cortas: Deje el aparato en funcionamiento durante las vacaciones de menos de tres semanas.
- Largas vacaciones: Si el aparato no se va a utilizar durante varios meses, retire todos los artículos y apague el aparato. Limpie y seque el interior a fondo. Para evitar el olor y el moho, deje la puerta ligeramente abierta, bloqueándola si es necesario.

MUDARSE

- Quite todo el contenido.
- Asegure firmemente todos los estantes.
- Gire el pie ajustable hasta la base para evitar daños.
- Cinta la puerta cerrada.
- Asegúrese de que el aparato permanezca en posición vertical durante el transporte. Proteja el exterior del aparato con una manta.
- Si el aparato se coloca en su parte trasera o lateral durante el transporte, al llegar al destino, déjelo en posición vertical durante 6 horas antes de enchufarlo para evitar daños a los componentes internos.

DISPOSICIÓN

Este aparato no debe tratarse como un desecho regular, debe llevarse al punto de recogida de residuos apropiado para reciclar los componentes eléctricos. Para obtener información sobre los puntos locales de recolección de residuos, comuníquese con su agencia local de eliminación de desechos u oficina gubernamental.

SOLUCIÓN DE PROBLEMAS

Ninguna energía

- El enchufe no está completamente insertado en el tomacorriente de la pared
- Fusible fundido o disyuntor

La temperatura interna no es lo suficientemente fría

- El ajuste de temperatura es demasiado cálido
- La puerta no está bien cerrada o demasiado abierta
- Recientemente se agregó una gran cantidad de alimentos calientes al gabinete
- Proximidad a fuentes de calor o luz solar directa
- La temperatura ambiente o la humedad es muy alta

El refrigerador funciona continuamente / Condensación en la puerta de cristal.

- El ajuste de temperatura es demasiado frío
- La puerta no cierra correctamente o se abre demasiado
- Recientemente se agregó una gran cantidad de alimentos calientes al gabinete
- Proximidad a fuentes de calor o luz solar directa
- La temperatura ambiente o la humedad es muy alta

¿Cuál es la clasificación eléctrica?

Verifique la placa de características en la parte trasera del gabinete.

¿Puedo usar un cable de extensión?

No, no se puede usar un cable de extensión.

¿Puedo usar este refrigerador al aire libre?

No, este refrigerador está diseñado para uso doméstico en interiores.

¿Cómo configuro la temperatura?

Ajuste el dial del termostato en la parte trasera del gabinete.

- La parte más gruesa de la línea azul es la configuración más fría.
- La parte más delgada de la línea azul es la configuración más cálida.
- La posición "O" apagará la función de enfriamiento.

GARANTÍA LIMITADA “EN CASA”

Se garantiza que este producto de calidad está libre de defectos de fabricación en materiales y mano de obra, siempre que la unidad se utilice en las condiciones de funcionamiento normales previstas por el fabricante. Esta garantía está disponible solo para la persona a la que Danby Products Limited (Canadá) o Danby Products Inc. (EE. UU.) (en adelante, “Danby”) o un distribuidor autorizado de Danby vendieron originalmente la unidad, y no es transferible.

TÉRMINOS DE GARANTÍA

Las piezas de plástico tienen una garantía de treinta (30) días a partir de la fecha de compra, sin posibilidad de prórroga.

Primeros 24 meses: Durante los primeros **veinticuatro (24) meses**, cualquier pieza funcional de este producto que se encuentre defectuosa será reparada o reemplazada, a elección del garante, sin cargo para el comprador original.

Para obtener el servicio: Comuníquese con el distribuidor donde compró la unidad, o comuníquese con el centro de servicio autorizado de Danby más cercano, donde el servicio debe ser realizado por un técnico de servicio calificado. Si el servicio de la unidad lo realiza alguien que no sea un centro de servicio autorizado, todas las obligaciones de Danby en virtud de esta garantía quedarán anuladas.

Límites del servicio a domicilio: Danby se reserva el derecho de limitar los límites del “servicio a domicilio” a la proximidad de un depósito de servicio autorizado. Cualquier electrodoméstico que requiera servicio fuera de los límites limitados del “Servicio a domicilio”, será responsabilidad del consumidor transportarlo a su cargo hasta el punto de compra original o un depósito de servicio para su reparación. Si el electrodoméstico se instala en un lugar que se encuentra a **100 kilómetros (62 millas)** o más del centro de servicio más cercano, el comprador debe entregarlo al Depósito de servicio Danby autorizado más cercano. **Los cargos de transporte hacia y desde el lugar de servicio no están protegidos por esta garantía y son responsabilidad del comprador.**

Nada dentro de esta garantía implicará que Danby será responsable por cualquier deterioro o daño a los alimentos u otros contenidos de este electrodoméstico, ya sea debido a cualquier defecto del electrodoméstico o su uso, ya sea adecuado o inadecuado.

EXCLUSIONES

Salvo lo dispuesto en el presente, por parte de Danby, no existen otras garantías, condiciones, representaciones o garantías, expresas o implícitas, hechas o previstas por Danby o sus distribuidores autorizados y todas las demás garantías, condiciones, representaciones o garantías, incluidas las garantías, condiciones, representaciones o garantías bajo cualquier Ley de Venta de Bienes o legislación o estatuto similar queda expresamente excluida. **Salvo lo dispuesto en el presente, Danby no será responsable de ningún daño a las personas o a la propiedad, incluida la unidad misma, cualquiera que sea su causa ni de ningún daño consecuente que surja del mal funcionamiento de la unidad y por la compra de la unidad, el comprador acepta por este medio indemnizar y eximir de responsabilidad a Danby de cualquier reclamo por daños a personas o propiedad causados por la unidad.**

PROVISIONES GENERALES

Ninguna garantía o seguro aquí contenido o establecido se aplicará cuando el daño o la reparación sean causados por cualquiera de los siguientes:

1. Fallo de alimentación.
2. Daños durante el transporte o al mover el aparato.
3. Suministro de energía inadecuado, como bajo voltaje, cableado doméstico defectuoso o fusibles inadecuados.
4. Accidente, alteración, abuso o mal uso del aparato, como circulación de aire inadecuada en la habitación o condiciones de funcionamiento anormales (es decir, temperatura ambiente extremadamente alta o baja).
5. Uso con fines comerciales o industriales (es decir, si el aparato no está instalado en una residencia doméstica).
6. Incendio, daños por agua, robo, guerra, disturbios, hostilidad, actos de Dios como huracanes, inundaciones, etc.
7. Llamadas de servicio que resultan en la educación del cliente.
8. Instalación incorrecta (es decir, la instalación de un electrodoméstico independiente o el uso de un electrodoméstico en el exterior que no está aprobado para aplicaciones en el exterior, incluidos, entre otros, garajes, patios, porches o cualquier lugar que no esté debidamente aislado o climatizado).

Se requerirá prueba de la fecha de compra para reclamos de garantía; conservar las facturas de venta. En caso de que se requiera servicio de garantía, presente el comprobante de compra en nuestro depósito de servicio autorizado.

