



# **OUTDOOR COOKING**

Outdoor Side Burner  
AGB

Use & Care Manual  
Installation & Operation

 **HESTAN**



**HESTAN OUTDOOR, MOST  
POWERFUL, VERSATILE  
AND RELIABLE OUTDOOR  
COOKING AVAILABLE.**





### **Message from Hestan:**



*Outdoor cooking is a perfectionist's pursuit, and with your new investment, you've now taken the ultimate step forward. We sincerely welcome you to the Hestan Family. We've engineered and built our products so that your guests will rave about your meal, but deep down, our customers know it could've been just a little more tender, juicier – a pinch more salt in the rub or a few seconds less on the flame. Yes, we've taken the time to know our Hestan customer and we're excited to be on this journey with you. Hestan Outdoor was born from this same perfectionist passion. Our engineers experimented, innovated, tweaked and tinkered until they created the most powerful, versatile and reliable outdoor products available.*

*We pride ourselves on restless innovation, superior engineering and purpose-built designs, but also our in-depth understanding of our target consumer and the interests and needs of the ultimate end-users we serve and covet. For many consumers, cooking outdoors is much more than an act of food preparation. It's a lifestyle activity that encompasses culinary, leisure and social pursuits among others.*

*We are thankful and proud that you have chosen Hestan, and we yearn to have you as a customer for life. We take your decision to choose Hestan most seriously, and we promise to deliver the very best to you.*

### **Welcome to Hestan Outdoor**



 <b>DANGER</b>	 <b>DANGER</b>
<p>If you smell gas:</p> <ol style="list-style-type: none"><li>1. Shut off gas to the appliance.</li><li>2. Extinguish any open flame.</li><li>3. Open lid.</li><li>4. If odor continues, keep away from the appliance and immediately call your gas supplier or your fire department.</li></ol>	<ol style="list-style-type: none"><li>1. Do not store or use gasoline or other flammable liquids or vapors in the vicinity of this or any other appliance.</li><li>2. An LP cylinder not connected for use shall not be stored in the vicinity of this or any other appliance.</li></ol>

**▲WARNING** IF THE INFORMATION IN THIS MANUAL IS NOT FOLLOWED EXACTLY, A FIRE OR EXPLOSION MAY RESULT CAUSING PROPERTY DAMAGE, PERSONAL INJURY, OR DEATH.

**▲WARNING** Do not try lighting this appliance without reading the LIGHTING INSTRUCTIONS section of this manual.

**▲WARNING** For outdoor use ONLY. This cooking appliance is not intended to be installed in or on recreational vehicles, and/or boats.

**▲WARNING** Flammable Gas - disconnect all propane or natural gas supplies to this unit before servicing.

**▲WARNING** Electrical Parts & Components – disconnect all power supplies and batteries before servicing.

**READ THIS MANUAL CAREFULLY AND COMPLETELY BEFORE USING YOUR SIDE BURNER TO REDUCE THE RISK OF FIRE, BURN HAZARD, OR OTHER INJURY. KEEP THIS MANUAL FOR FUTURE REFERENCE.**



# TABLE OF CONTENTS

---



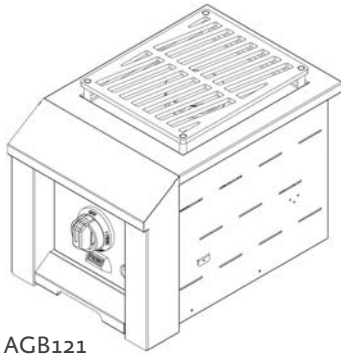
EN

4	MODEL NUMBERS
5	RATING LABELS
5	PRECAUTIONS
8	REGULATORY / CODE REQUIREMENTS
8	PORTABLE LP CYLINDERS
9	LOCATION AND ASSEMBLY
9	INSTALLATION
13	GAS AND ELECTRICAL CONNECTIONS
21	LIGHTING INSTRUCTIONS
23	USING YOUR SIDE BURNER
23	CLEANING AND MAINTENANCE
26	TROUBLESHOOTING
27	WIRING SCHEMATICS
31	PARTS LIST
31	SERVICE
31	WARRANTY

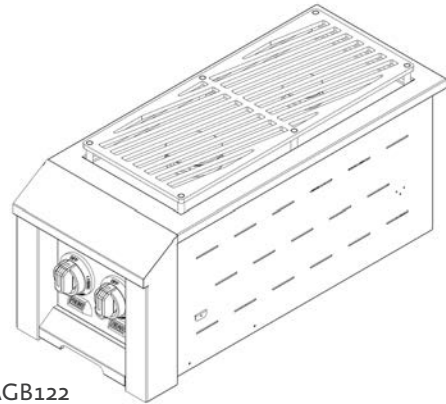


## MODEL NUMBERS

EN



AGB121



AGB122

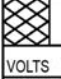

### BUILT-IN MODELS

Model No.	Description
AGB121-NG / -LP	12" BUILT-IN SINGLE SIDE BURNER
AGB122-NG / -LP	12" BUILT-IN DOUBLE SIDE BURNER



## RATING LABEL

The rating label contains important information about your Hestan appliance such as the model and serial number, gas type and manifold pressure, the BTU rating for each burner type, and the minimum installation clearances.

 <b>HESTAN COMMERCIAL CORP.</b> ANAHEIM, CA. - USA				<b>MODEL / MODELE</b>		PATENTED: <a href="http://outdoor.hestan.com/patents.pdf">http://outdoor.hestan.com/patents.pdf</a>										
<b>VOLTS</b> 120		<b>Hz</b> 60	<b>PHASE</b> 1	<b>AMPS</b>		<b>SER. NO. / NO. SER.</b>										
<b>GAS TYPE (TYPE DE GAZ)</b>		<b>BTU/HOUR/ FRONT BURNER (BRÛLEUR AVANT)</b>		<b>BTU/HOUR/ REAR BURNER (BRÛLEUR ARRIÈRE)</b>		 CONFORME À LA NORME ANSI Z21.58 CERTIFIÉ À LA NORME CSA 1.6 APPAREIL DE CUISSON AU GAZ POUR USAGE EN PLEIN AIR										
<b>OUTLET PRESSURE (PRESS. SORTIE) INCH W.C. kPa</b>		<b>CONFORMS TO ANSI STD Z21.58 CERTIFIED TO CSA STD 1.6 OUTDOOR COOKING GAS APPLIANCE</b>		<b>À UTILISER À L'EXTÉRIEUR UNIQUEMENT. EN CAS DE REMISAGE DU ORIL À L'INTÉRIEUR, DÉBRANCHER LA BOUTEILLE DE GAZ ET LA LAISSER DÉHORS. NE PAS ENTREPOSER UNE BOUTEILLE DE GPL DE SECOURS EN DESSOUS NI À CÔTÉ DE L'APPAREIL. NE JAMAIS REMPLIR LA BOUTEILLE DE GAZ À PLUS DE 80 % DE SA CAPACITÉ. SI LES DIRECTIVES DONNÉES CI-DESSUS NE SONT PAS APPLIQUÉES À LA LETTRE, UN INCENDIE ENTRAÎNANT DES BLESSURES GRAVES, VOIRE MORTELLES, PEUT SE PRODUIRE. NE PAS IMPLANTER CET APPAREIL SOUS DES SURFACES COMBUSTIBLES EN SURPLOMB. CONÇU UNIQUEMENT POUR INTÉGRATION DANS UNE ENCEINTE CONSTITUÉE DE MATÉRIEAUX NON COMBUSTIBLES. EN CAS D'INTÉGRATION DANS UNE ENCEINTE CONSTITUÉE DE MATÉRIEAUX COMBUSTIBLES, UTILISER L'ENVELOPPE PROTECTRICE ISOLANTE FOURNIE PAR LE FABRICANT.</b>		<b>ATTENTION: N'UTILISER QUE LE DÉTENDEUR FOURNI AVEC CET APPAREIL. CE RÉGULATEUR EST RÉGLÉ POUR UNE PRESSION DE SORTIE SPÉCIFIÉE CI-DESSUS.</b>										
<b>MIN. CLEARANCES / DÉGAGEMENTS</b>		<b>FOR OUTDOOR USE ONLY. IF STORED INDOORS, DETACH AND LEAVE GAS CYLINDER OUTDOORS. DO NOT STORE A SPARE LP-GAS CYLINDER UNDER OR NEAR THIS APPLIANCE. NEVER FILL THE GAS CYLINDER BEYOND 80% FULL. IF THE INFORMATION ABOVE IS NOT FOLLOWED EXACTLY, A FIRE CAUSING DEATH OR SERIOUS INJURY MAY OCCUR. DO NOT LOCATE THIS APPLIANCE UNDER OVERHEAD COMBUSTIBLE SURFACES. ONLY FOR INSTALLATION IN A BUILT-IN ENCLOSURE CONSTRUCTED OF NON-COMBUSTIBLE MATERIALS. FOR INSTALLATION IN A BUILT-IN ENCLOSURE CONSTRUCTED OF COMBUSTIBLE MATERIALS, USE INSULATING JACKET PROVIDED BY MANUFACTURER. CAUTION: USE ONLY THE GAS PRESSURE REGULATOR SUPPLIED WITH THIS APPLIANCE. THIS REGULATOR IS SET FOR AN OUTLET PRESSURE AS SPECIFIED ABOVE.</b>														
<table border="1"> <thead> <tr> <th></th> <th>COMBUSTIBLE</th> <th>NON-COMBUSTIBLE</th> </tr> </thead> <tbody> <tr> <td>BACK / ARRIÈRE</td> <td>12"</td> <td>0"</td> </tr> <tr> <td>SIDES / CÔTES</td> <td>12"</td> <td>0"</td> </tr> </tbody> </table>			COMBUSTIBLE	NON-COMBUSTIBLE	BACK / ARRIÈRE	12"	0"	SIDES / CÔTES	12"	0"						
	COMBUSTIBLE	NON-COMBUSTIBLE														
BACK / ARRIÈRE	12"	0"														
SIDES / CÔTES	12"	0"														

Hestan Outdoor Side Burner rating label is located on the inside rear wall of the unit, behind the control panel.

## PRECAUTIONS - BEFORE YOU USE YOUR SIDE BURNER

When properly cared for, your Hestan Side Burner will provide safe, reliable service for many years. However, extreme care must be used since the Side Burner produces intense heat, which can cause serious injury or even death if the instructions are not followed carefully. When using this appliance, basic safety practices must be followed as outlined below.

1. NEVER LEAVE THE SIDE BURNER UNATTENDED WHILE COOKING.
2. Children should not be left alone or unattended in an area where the Side Burner is being used. Never allow them to sit, stand, or play on or around the Side Burner. Do not store items of interest to children around or below the Side Burner or in the cart. Never allow children to crawl inside of the cart.
3. Never operate the Side Burner while under the influence of alcohol or drugs.
4. Never use the Side Burner in windy conditions. If located in a consistently windy area, oceanfront, mountaintop, etc., a windbreak will be required. Always adhere to the specified clearances as described in the INSTALLATION section of this manual.
5. The Side Burner shall be used only outdoors and shall not be used in buildings, garages, sheds, breezeways, or any enclosed areas. Do not operate the Side Burner under unprotected, combustible construction. Use only in well-ventilated areas. See the INSTALLATION section of this manual.
6. Do not use the Side Burner unless a leak check has been performed on all gas connections. See the GAS CONNECTIONS section of this manual.
7. If the Side Burner is installed by a professional installer or technician, be sure that they show you where your gas supply shut-off is located. All gas lines must have a shut-off that is easily accessible. If you smell gas, check for leaks immediately. Check only with a soap and water solution. Never check gas leaks with an open flame. See the GAS CONNECTIONS section of this manual.



## PRECAUTIONS - BEFORE YOU USE YOUR SIDE BURNER *(continued)*

EN

8. Check the regulator, hoses, burner ports, and venturi / valve section carefully. Always turn off gas at the source (tank or supply line) prior to inspecting parts.
9. When lighting a burner, always pay close attention to what you are doing. Be certain you are turning the correct knob labeled for the burner you intend to use. If any burner does not light, or goes out during operation, turn off all gas control knobs, and wait five (5) minutes before attempting to re-light. See the LIGHTING INSTRUCTIONS section of this manual.
10. Portable LP cylinders - Always shut off the main valve on the liquid propane (LP) cylinder after each use. Never use a dented or rusted LP cylinder. Never attach or disconnect an LP cylinder, or move or alter gas fittings when the Side Burner is in operation or is hot.
11. Inspect LP gas supply hose prior to each use of the Side Burner. The hose must be kept away from heated areas of the Side Burner. If there is evidence of excessive abrasion or wear, or the hose is cut, it must be replaced before using the Side Burner. The hose and LP regulator are supplied as a complete assembly and must be replaced together. Do not attempt to repair or replace the hose itself. Contact your Hestan dealer for genuine replacement P/N 014309.
12. Keep any electrical supply cord away from the heated areas of the Side Burner. The cord is provided with a 3-prong grounding plug which should not be removed or altered. Do not use this appliance with an ungrounded, 2-prong adapter. The cord must be plugged into a properly grounded GFCI-protected outlet. See INSTALLATION section of this manual.
13. Spiders and insects like to nest in the burners, venturis, valves, and orifices of a Side Burner, disrupting the gas flow in the burner. This very dangerous condition can cause a fire behind the control panel, damaging the Side Burner and risking personal injury. If your Side Burner has been unused for a long time, inspect and clean the burners, venturis, valves, and orifices. It is recommended you inspect your Side Burner at least twice a year. See BURNER ADJUSTMENT section of this manual for details.
14. Keep the areas surrounding the Side Burner free from combustible materials, trash, or combustible fluids and vapors such as gasoline or charcoal lighter fluid. Do not obstruct the flow of combustion gases and ventilation airways (front).
15. If your Side Burner is mounted on a grill cart, keep the rear area free and clear of debris, extra LP cylinders, etc. Do not block the ventilation louvers of the cart.
16. If your Side Burner is mounted on a cart and stored indoors, ensure that it is cool before moving. If propane is used, the LP cylinder must be disconnected and stored OUTSIDE in a well-ventilated area, out of the reach of children. A grill cover which covers the entire Grill + Side Burner is recommended, even when stored indoors.
17. Never move the Side Burner when hot. When in use, portions of the Side Burner are hot enough to cause severe burns.
18. Always have an "ABC" type fire extinguisher accessible – never attempt to extinguish a grease fire with water or other liquids.
19. Avoid wearing loose-fitting garments or long sleeves while cooking with the Side Burner. They could ignite. For personal safety, wear proper apparel while cooking. Some synthetic fabrics are highly flammable and should not be worn while cooking.
20. Never let pot holders, covers, or other flammable materials come in contact with or too close to any cooking grate, burner, or hot surface until it has cooled down sufficiently. Fabrics may ignite and result in personal injury. Use only dry potholders. Moist or damp potholders on hot surfaces may cause burns from steam. Do not use a towel or bulky cloth in place of potholders. Do not let potholders touch hot portions of the cooking grates.
21. Never touch the cooking grates or immediate surrounding metal surfaces with your bare hands while cooking with the Side Burner, as these areas become extremely hot and could cause burns. Use only the handles and knobs provided for operation of the Side Burner.



## PRECAUTIONS - BEFORE YOU USE YOUR SIDE BURNER *(continued)*



EN

22. Protect your hands with an insulated glove or mitt when operating the Side Burner. Always keep your face away and open lids slowly on pots and pans to allow heat and steam to escape before fully opening. Never lean over an open hot Side Burner.
23. The Side Burner metal cover must be removed while lighting. Leaving the cover in place while lighting can result in an explosion and personal injury, or death. Never lean over a Side Burner or look directly into the burner when attempting to light. See the LIGHTING INSTRUCTIONS section of this manual.
24. Do not heat unopened food containers (cans) as pressure build-up will cause the container to explode.
25. Do not use aluminum foil to line the burner bowl or the drip tray. This will alter the airflow to the burner or trap excessive heat in the control area. This can melt control knobs, wiring, or igniters, and increase the risk of personal injury. Such damage is specifically excluded from our warranty.
26. Never use the Side Burner without the drip tray in place and pushed all the way to the back. Without the drip tray, hot grease or oil from a spill-over can leak downward creating a fire or explosion hazard.
27. Grease is extremely flammable. Let hot grease cool before attempting to handle or dispose of it. Avoid letting excessive grease deposits collect by cleaning the drip tray often. Never clean while the Side Burner is on, or hot from recent use.
28. Cooking excessively fatty meats and oils will cause flare-ups or grease fires. Damage caused by them or by the Side Burner being left unattended, are not covered under the terms and conditions of our warranty.
29. Only certain types of glass, heatproof glass-ceramic, earthenware, or other glazed utensils are suitable for Side Burner use. However, these types of materials may break with sudden temperature changes. Use only on low or medium heat settings, and according to their manufacturers' directions.
30. Do not lean on side shelves or place a load of more than 25 lbs (11.3 kg) on a side shelf.
31. Do not repair or replace any part of the Side Burner unless specifically recommended in this manual. All other warranty and non-warranty service should be referred to and performed by a qualified technician.
32. For proper lighting and performance of the burners, keep the ports clean. It is necessary to clean them periodically for optimum performance. The burners will operate only in one position and must be mounted correctly for safe operation. See BURNER ADJUSTMENT section of this manual.
33. Clean the Side Burner with caution. Avoid steam burns - do not use a wet sponge or cloth to clean the Side Burner while it is hot. Some cleaners produce noxious fumes or can ignite when applied to a hot surface. Be sure all Side Burner controls are turned off and the appliance is cool before using any type of aerosol cleaner on or around the appliance. The chemical that produces the spraying action could, in the presence of heat, ignite or cause metal parts to corrode. Clean and perform general maintenance on the Side Burner twice a year. Watch for corrosion, cracks, or insect activity. See the CLEANING AND MAINTENANCE section of this manual.



## REGULATORY / CODE REQUIREMENTS

Installation of this cooking appliance must be made in accordance with local codes. In the absence of local codes, this unit should be installed in accordance with the National Fuel Gas Code *ANSI Z223.1/NFPA 54*, Natural Gas and Propane Installation code *CSA B149.1*, or Propane Storage and Handling Code *B149.2*.

All Electrical Components must be electrically grounded in accordance with local codes or in the absence of local codes with the National Electrical Code *ANSI/NFPA 70*, or Canadian Electrical code *CSA C22.1*.

### STATE OF MASSACHUSETTS

Massachusetts requires all gas be installed using a plumber or gas fitter carrying the appropriate Massachusetts license. All permanently installed natural gas or propane installations require a T handle type manual gas valve be installed in the gas supply line to this appliance. This does not apply to portable propane installations using a 20lb. cylinder.

### CALIFORNIA PROPOSITION 65 - WARNING

The burning of gas cooking fuel generates toxic by-products, which are on the list of substances which are known by the State of California to cause cancer or reproductive harm. California law requires businesses to warn customers of potential exposure to such substances. To minimize exposure to these substances, always operate this unit according to the use and care manual, ensuring you provide good ventilation when cooking with gas. This warning is issued pursuant to California Health & Safety Code Sec. 25249.6.



## PORTABLE LP GAS CYLINDERS

Use only a standard 20 lb. (9.1kg) liquid propane (LP) gas cylinder - 12.25" diam. X 18.25" H (31cm X 47cm) which features an Overfill Protection Device. The cylinder must be installed in the upright position. Do not use a dented or rusty LP cylinder as it may be hazardous and should be checked by your LP supplier. Never use a cylinder with a damaged valve. Never move or alter the gas fittings. Check the expiration date on the cylinder collar as well. Do not refill an expired cylinder, it must be replaced. If you buy refilled (exchange) LP cylinders, check this date as well.

The LP gas cylinder must be constructed and marked in accordance with the specifications for LP gas cylinders of the U.S. Department of Transportation (DOT). The cylinder must be provided with a shut off valve terminating in an LP gas supply cylinder valve outlet specified, as applicable, for connection type QCC1 in the standard for compressed gas cylinder valve outlet and inlet connections ANSI/CGA-V-I.

### **⚠️ WARNING**

Certain liquid propane dealers may fill LP cylinders for use in the Grill / Side Burner beyond cylinder filling capacity. This "overfilling" may create a dangerous condition due to a build-up of excess pressure. As a safety device, there is a pressure relief valve which will vent propane gas vapor to relieve this excess pressure. This vapor is combustible and therefore can be ignited. To reduce this danger, you should take the following safety precautions:

1. When you have your cylinder filled, be sure you tell the supplier to fill it to no more than 80% of its total capacity.
2. If you own or use a spare cylinder, you should NEVER store it near or under the grill/cart unit or burner box, or near any other ignition or heat source (like a water heater or furnace).

IF THE INFORMATION IN 1 AND 2 ABOVE IS NOT FOLLOWED EXACTLY, A FIRE CAUSING DEATH OR SERIOUS INJURY MAY OCCUR.

3. The LP cylinder must be disconnected and stored OUTSIDE in a well-ventilated area, out of the reach of children.
4. Do not store a full cylinder in direct sunlight.



## LOCATING AND ASSEMBLING THE SIDE BURNER



When determining a suitable location for your Side Burner, take into account concerns such as exposure to wind, rain, sprinklers, proximity to traffic paths, and keeping any gas supply line runs as short as possible.

Locate the Side Burner only in a well-ventilated area. Never locate the Side Burner in a building, garage, breezeway, shed or other such enclosed areas without an approved ventilation system. Never locate the Side Burner over, under, or next to unprotected combustible construction.

Using the Side Burner in windy areas can disrupt the flame, especially on low or simmer settings. This may cause nuisance sparking of the igniter. Relocate to a less windy area. If the Side Burner is mounted in an enclosure (island), you may need to build a wind-break to avoid this issue in the future.

When installing a Side Burner or other gas appliance into an enclosure (island), the enclosure must be constructed with ventilation openings to avoid accumulation of gas should there be a leak. See the INSTALLATION section of this manual for details. Keep the area underneath the Side Burner free of debris.

Ensure all packaging, straps, etc. have been removed from the Side Burner. Remove any tie-down wires from the burners.

Keep the area underneath the Side Burner free of debris. If your Side Burner is mounted on a cart, engage the brakes on the casters to prevent movement of the cart.

Ensure that the burner cap is mounted correctly on the burner ring. Do not operate the Side Burner without the burner cap in place (see Fig. 1).

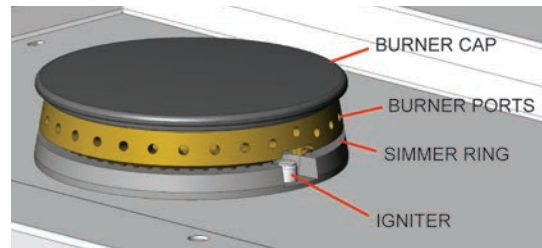


Figure 1

## INSTALLATION



### CLEARANCES - NON-COMBUSTIBLE:

#### TO NON-COMBUSTIBLE CONSTRUCTION ABOVE THE COOKING SURFACE

A minimum of 4" (10 cm) clearance from the rear of the appliance to non-combustible construction is required. See diagrams on the following pages.

#### TO NON-COMBUSTIBLE CONSTRUCTION BELOW THE COOKING SURFACE

The appliance may be installed directly on non-combustible construction. See diagrams on the following pages.

### CLEARANCES - COMBUSTIBLE:

#### TO COMBUSTIBLE CONSTRUCTION ABOVE THE COOKING SURFACE

A minimum of 12" (30 cm) clearance on the sides and the rear of the appliance to combustible construction is required. Read warning below. See diagrams on the following pages.

#### TO COMBUSTIBLE CONSTRUCTION BELOW THE COOKING SURFACE

The appliance may be installed directly on combustible construction. See diagrams on the following pages.

## **⚠️ WARNING**

The minimum clearances to combustible materials means that ALL combustible materials must be outside this 12" (30 cm) zone. As an example, if you have an island with a stucco or tiled surface and wood-frame construction, the wood is considered combustible, even though the Side Burner is touching the stucco or tile surface, which is non-combustible. In extreme circumstances, the wood could potentially get hot enough to burn. Examples of other combustible materials are



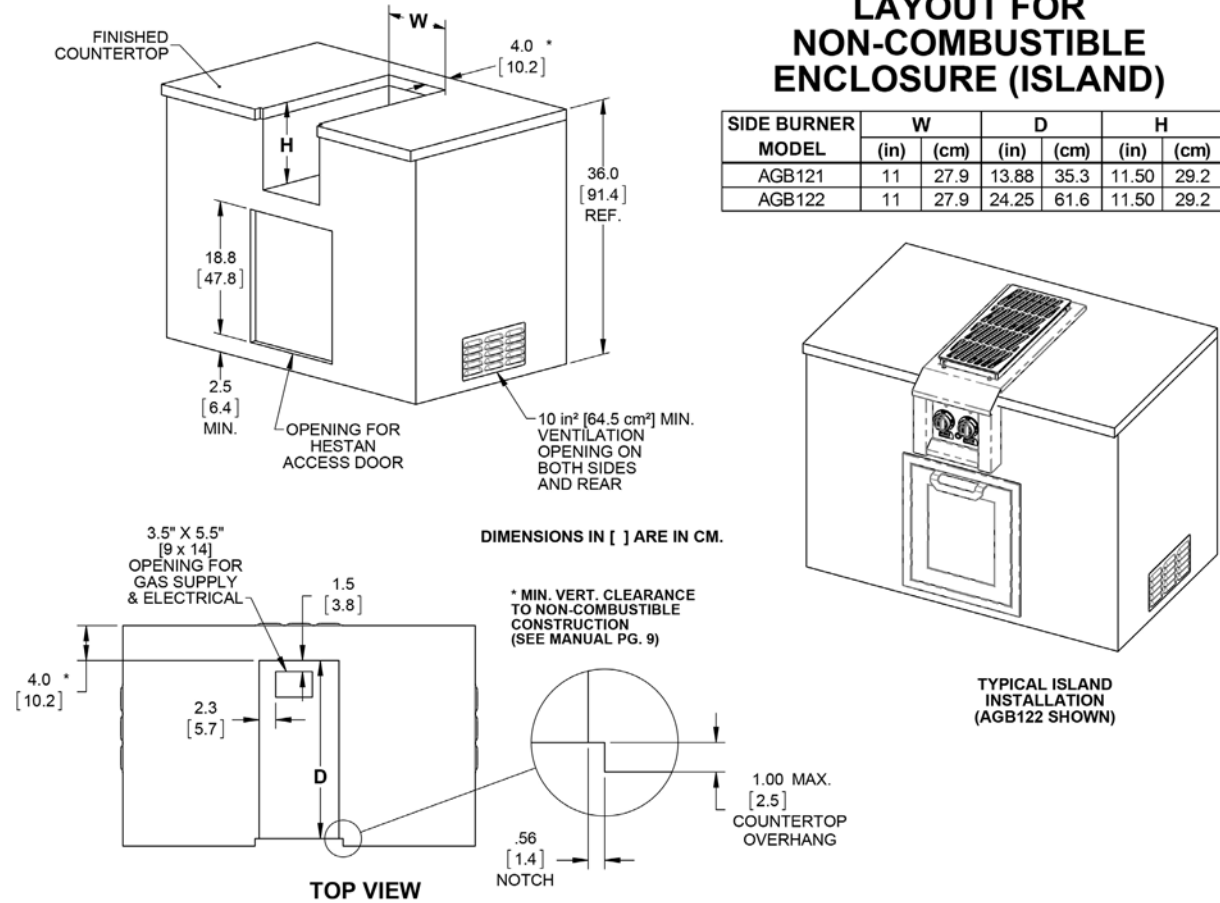
## INSTALLATION *(continued)*

compressed wood, plant fibers (bamboo), vinyl/plastic, or other materials capable of being ignited and burned. Materials that are flame-proofed or treated with flame-retardant are still considered combustible.

### VENTILATION OPENINGS

A minimum of three 10 in<sup>2</sup> (65 cm<sup>2</sup>) of ventilation openings must be provided for both left and right sides of your enclosure (island), as well as the back. These openings are required to safely dissipate gas vapors if there is a leak in your enclosure. See diagram below.

### BUILT-IN DIMENSIONS (NON-COMBUSTIBLE):

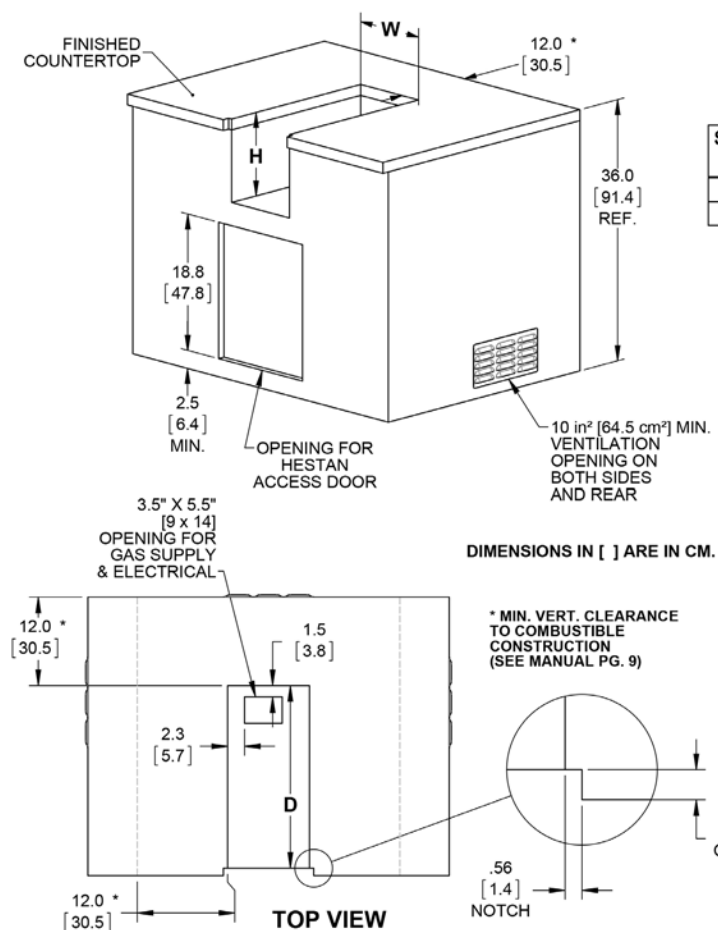




# INSTALLATION *(continued)*

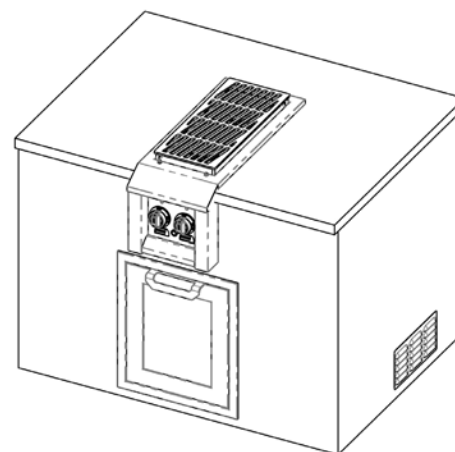


## BUILT-IN DIMENSIONS (COMBUSTIBLE):



## LAYOUT FOR COMBUSTIBLE ENCLOSURE (ISLAND)

SIDE BURNER MODEL	W		D		H	
	(in)	(cm)	(in)	(cm)	(in)	(cm)
AGB121	11	27.9	13.88	35.3	11.50	29.2
AGB122	11	27.9	24.25	61.6	11.50	29.2



TYPICAL ISLAND INSTALLATION (AGB122 SHOWN)

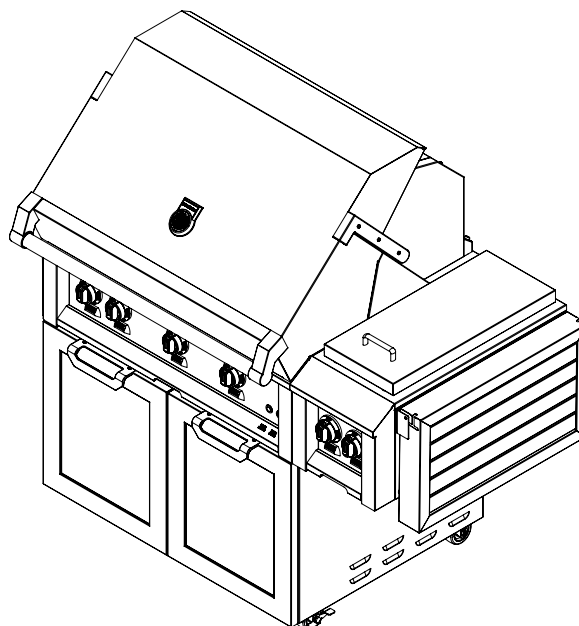
1.00 MAX. [2.5] COUNTERTOP OVERHANG

## BUILT-IN INSTALLATION

Your Hestan Side Burner comes ready to install into your enclosure (island). Proceed to the GAS CONNECTIONS section for further instruction.

## INSTALLATION OF SIDE BURNER ONTO GRILL CART (MODEL AGB122 ONLY - REQUIRES PANEL KIT AGBPK)

It is possible to mount your Hestan Side Burner to your grill cart. You will need to order Panel Kit AGBPK, available from your Hestan dealer. Instructions are provided with the kit.





**Hestan delivers  
the consistent  
control**



# GAS AND ELECTRICAL CONNECTIONS



## GAS SUPPLY

The local gas authority or supplier should be consulted at the installation planning stage in order to establish the availability of an adequate supply of gas (NG or LP). If it is a new installation, have the gas authorities or supplier check the meter size and piping to assure that the unit is supplied with the necessary amount of gas supply and pressure to operate the unit(s).

Gas connections should be made by a qualified plumber, or your professional outdoor appliance installer.

All fixed (non-mobile) appliances must be fitted with an accessible upstream gas shutoff valve as a means of isolating the appliance for emergency shut off and for servicing.

Make certain new piping and connections have been made in a clean manner and have been purged so that piping compound, chips, etc. will not clog regulators, valves, orifices, or burners. Use pipe joint compound / thread sealant approved for natural and LP gases.

**NEVER CONNECT THE SIDE BURNER TO AN UNREGULATED GAS SUPPLY.** Before proceeding, ensure the appliance is fitted for Natural or Liquid Propane gas. Connecting to an improper gas type will result in poor performance and increased risk of damage or injury. Gas type and gas consumption (BTU per hour) for each burner type is shown on the rating label affixed to the underside of the drip tray.

Installation of this cooking appliance must be made in accordance with local codes. In the absence of local codes, this unit should be installed in accordance with the National Fuel Gas Code No. *Z223.1/NFPA 54*, Natural Gas and Propane Installation code *CSA B149-1*, or Propane Storage and Handling Code *B149.2*.

**NOTE:** See rating label for manifold pressure for the type of gas of your appliance.

## CONVERSION KITS

Gas conversion kits are available from your Hestan dealer should you need to convert an LP unit to NG, or vice-versa.

## HIGH ALTITUDE KITS

If you live in a high altitude area, 2,000 ft. (610 m) or more above sea level, your Side Burner will require different orifices for proper combustion and performance. High altitude kits are available through Hestan Customer Service. Please have your model and serial number information ready when you call.



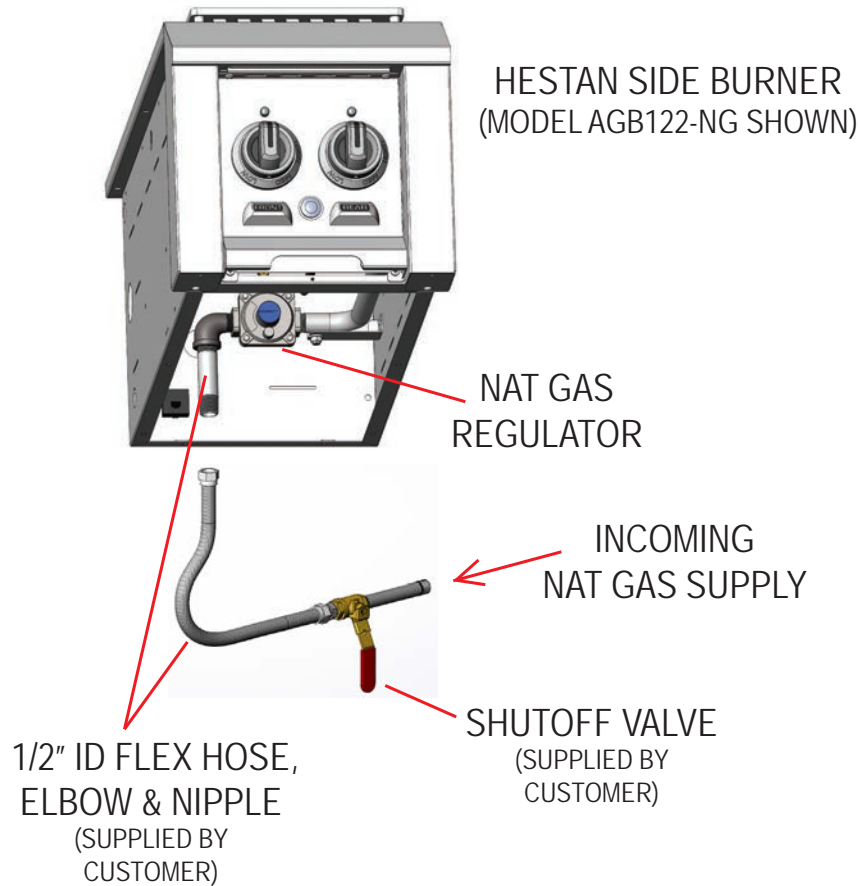


## GAS AND ELECTRICAL CONNECTIONS *(continued)*

### GAS CONNECTION - NATURAL GAS (NG)

NOTE: To ensure proper heating performance of this appliance, verify that the gas line supply pressure is adequate. Use only the gas pressure regulator supplied with this appliance. This regulator is set for a supply pressure of 7 inch WC (1.74 kPa) to maintain 4 inch WC (1.00 kPa) outlet (manifold) pressure. Use a minimum 1/2" ID flex hose to prevent gas starvation. Ensure that the service pipe supplying the side burner is fitted with a shut-off valve conveniently positioned and easily accessible as an emergency gas shut-off.

EN



Your Hestan Side Burner for use with Natural Gas is supplied with its own regulator which MUST be installed. If this regulator needs to be replaced, use only the type specified by Hestan for this appliance.

To connect the regulator follow the next steps:

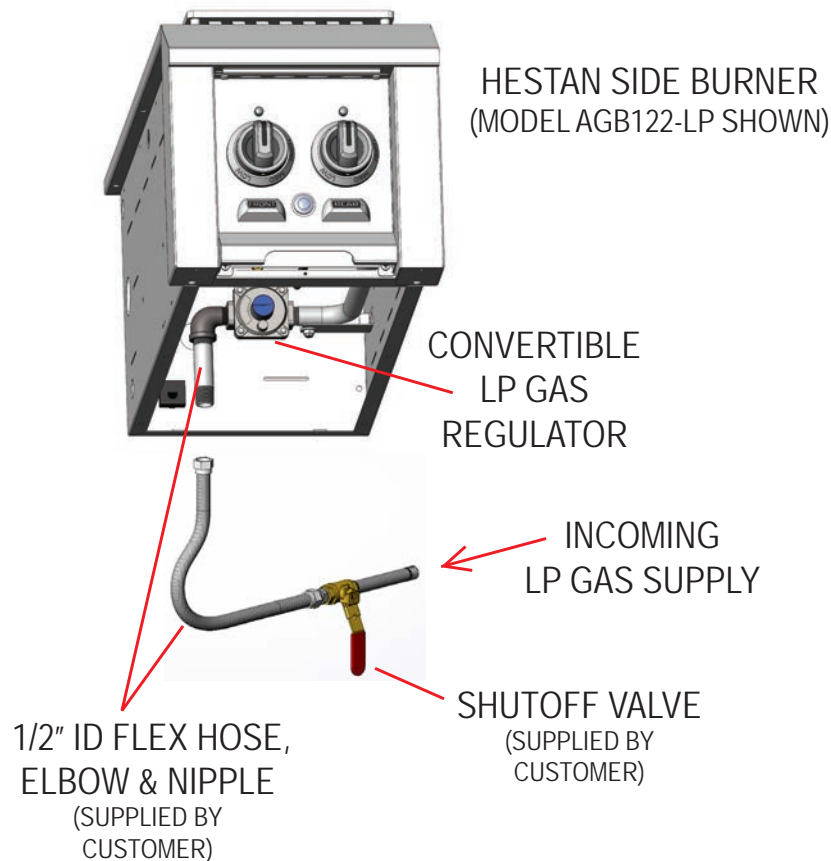
1. Locate the regulator mounted underneath your Side Burner.
2. Connect gas supply using a minimum 1/2" diameter flexible (semi-rigid) stainless steel gas hose, no more than 48" (1.22m) in length. If you plan to inter-connect the Side Burner with your Hestan Grill, be sure to use the fittings supplied with the mounting kit, and a flexible hose as short as possible to make the connection. The hose as well as the connectors must comply with the *Standard for Connectors for Outdoor Gas Appliances and Manufactured Homes, ANSI Z21.75 • CSA 6.27*, and suitable for outdoor installation. Use the appropriate thread sealant on all connections.
3. Proceed to LEAK TESTING section.



### GAS CONNECTION - LP PIPED SYSTEMS

An LP piped system is one with a large central LP tank that feeds an entire household. These systems are normally equipped with a high pressure regulator by the large LP tank, and low pressure regulators close to the home. The gas line connectors must comply with the *Standard for Connectors for Outdoor Gas Appliances and Manufactured Homes, ANSI Z21.75 • CSA 6.27*, and suitable for outdoor installation. The connection shall be 48" (1.22 m) or less.

NOTE: To ensure proper heating performance of this appliance, verify that the gas line supply pressure is adequate. The regulator must be set for a supply pressure of 11.0" WC (2.74 kPa) to maintain 10.0" WC (2.49 kPa) outlet (manifold) pressure. Use a minimum 1/2" ID flex hose to prevent gas starvation. Ensure that the service pipe supplying the Side Burner is fitted with a shut-off valve conveniently positioned and easily accessible as an emergency gas shut-off.



Your Hestan Side Burner for use with an LP Piped System is supplied with its own convertible regulator which **MUST** be installed. If this regulator needs to be replaced, use only the type specified by Hestan for this appliance.

To connect the regulator follow the next steps:

1. Locate the regulator mounted underneath your Side Burner.
2. Connect gas supply using a minimum 1/2" diameter flexible (semi-rigid) stainless steel gas hose, no more than 48" (1.22 m) in length. If you plan to inter-connect the Side Burner with your Hestan Grill, be sure to use the fittings supplied with the mounting kit, and a flexible hose as short as possible to make the connection. The hose as well as the connectors must comply with the *Standard for Connectors for Outdoor Gas Appliances and Manufactured Homes, ANSI Z21.75 • CSA 6.27*, and suitable for outdoor installation. Use the appropriate thread sealant on all connections.
3. Proceed to LEAK TESTING section.

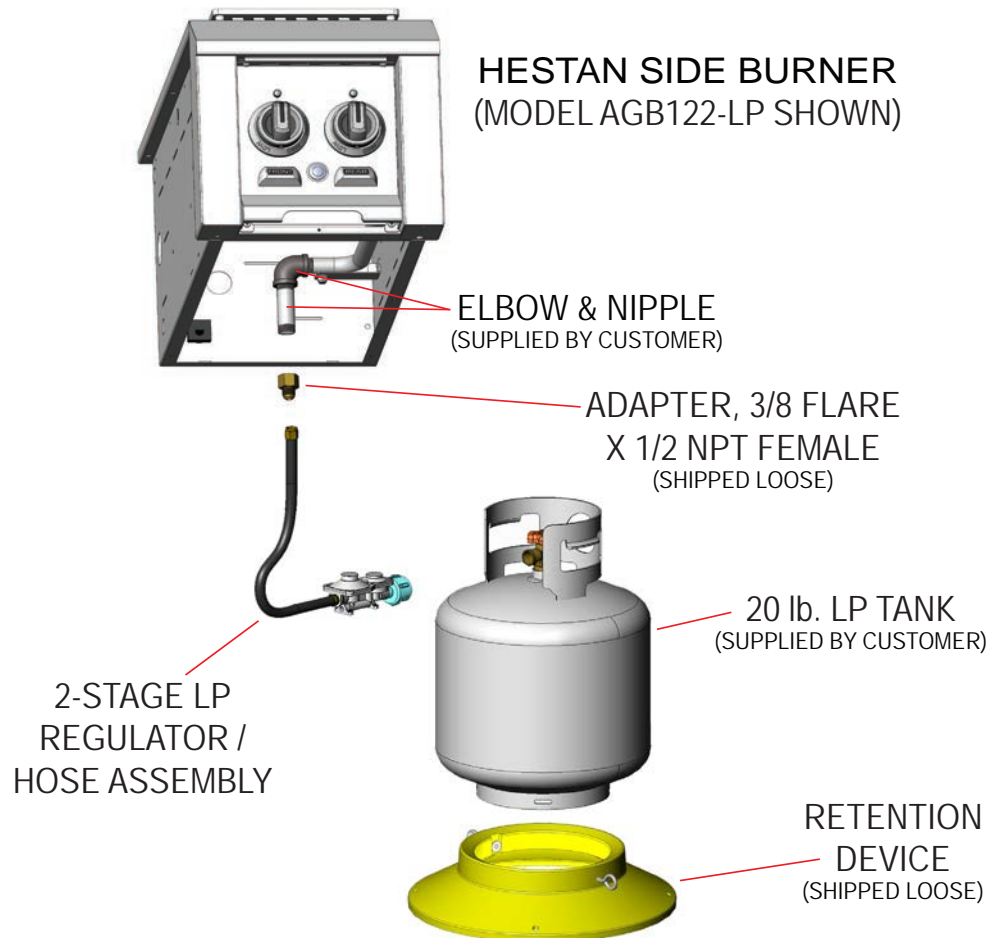


## GAS AND ELECTRICAL CONNECTIONS *(continued)*

### GAS CONNECTION - LIQUID PROPANE (LP) CYLINDER

Should you wish to connect your Hestan Side Burner to a standard 20 lb. LP gas cylinder, you will need to order kit AGCKLPT. This kit includes a two-stage regulator/hose assembly for connection to the tank, and a tank retention device. This regulator/hose assembly must be used WITHOUT alteration. If this assembly needs to be replaced, contact your Hestan dealer for genuine replacement P/N 014309.

NOTE: To ensure proper heating performance of this appliance, verify that the supply pressure is adequate. Use only the gas pressure regulator supplied with this appliance. This regulator is set to maintain 10 inch WC (2.49 kPa) outlet (manifold) pressure.



To connect the regulator / hose assembly follow these steps:

1. Locate the regulator and gas connection point in the rear right side of your Side Burner (in cart-mounted models, remove the rear panel to gain access).
2. Connect the 3/8" Flare (compression flare fitting) X 1/2" NPT female adapter as shown. Then connect the regulator/hose assembly to the adapter as shown. Use appropriate thread sealant on all connections.
3. Connect the regulator/hose assembly to a standard 20 lb. LP cylinder. If you plan to inter-connect the Double Side Burner with your Hestan Grill, you will need Panel Kit AGBPK (as seen page 11). Be sure to use the included fittings and a flexible hose as short as possible to make the connection. The hose as well as the connectors must comply with the *Standard for Connectors for Outdoor Gas Appliances and Manufactured Homes, ANSI Z21.75 • CSA 6.27*, and suitable for outdoor installation. Use the appropriate thread sealant on all connections.
4. Proceed to LEAK TESTING section.

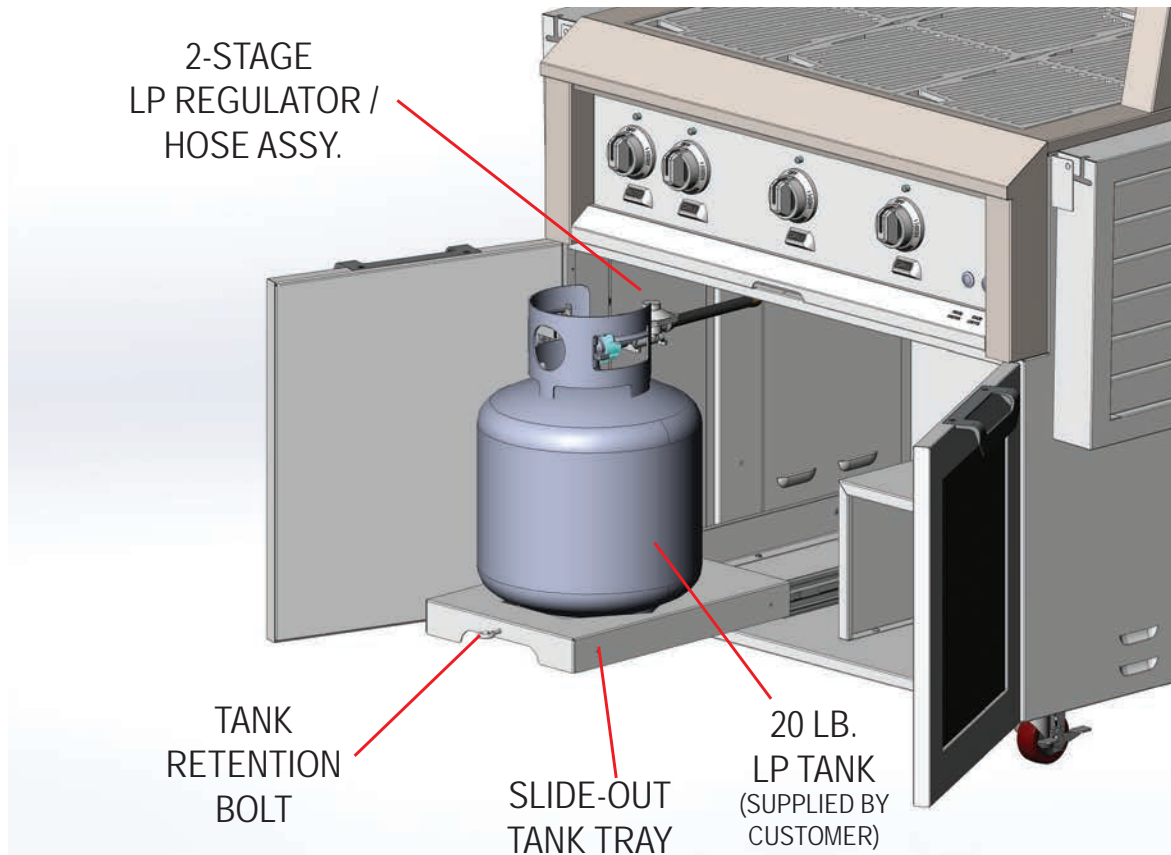




### LP TANK RESTRAINT

If you purchased a Hestan Grill with Side Burner on a cart, be sure to restrain the LP cylinder by securing it with the retention bolt on the slide-out tray as shown below. It is important the tank does not fall over or stretch the hose which could cause a gas leak.

EN



### LEAK TESTING

#### GENERAL

Although all gas connections on your Hestan Side Burner are leak tested at the factory prior to shipment, a complete gas tightness check must be performed at the installation site due to possible movement in shipment, or excessive pressure unknowingly being applied to parts of the unit. Periodically check the whole system for leaks, or immediately check if the smell of gas is detected.

#### BEFORE TESTING

- Do not smoke while leak testing.
- Never leak test with an open flame.
- Make a soap solution of one part liquid detergent and one part water for leak testing purposes.
- Apply the solution to the gas fittings by using a spray bottle or a brush.
- For LP units, always check with a full LP cylinder.



## GAS AND ELECTRICAL CONNECTIONS *(continued)*

### To Test

- Make sure all control valves are in the “OFF” position.
- Apply the soap solution described above to all fittings.
- Turn the gas supply on.
- Check all connections from the supply line, or LP cylinder up to and including the manifold pipe assembly and all connections to each burner.
- Soap bubbles will appear where a leak is present. If a leak is present, immediately turn off gas supply, tighten any leaking fittings, turn the gas supply back on, and recheck.
- If you cannot stop a gas leak, turn off the gas supply and call the dealer where you purchased your Side Burner.
- Do not use the Side Burner until all connections have been checked and do not leak.

### **IMPORTANT NOTE - ALWAYS CHECK FOR LEAKS AFTER EVERY LP CYLINDER CHANGE.**

If a leak is present, or if there is evidence of excessive abrasion or wear, or the hose is cut, it must be replaced before using the Side Burner. The hose and LP regulator are supplied as a complete assembly and must be replaced together. Do not attempt to repair or replace the hose itself. Contact your Hestan dealer for genuine replacement P/N 014309.

Check all gas supply fittings for leaks before each use. It is handy to keep a spray bottle of soapy water near the shut-off valve of the gas supply line. Spray all the fittings. Bubbles indicate leaks.

### ELECTRICAL SUPPLY

**Important:** This appliance must be electrically grounded in accordance with local codes, or in the absence of local codes with the National Electrical Code, *ANSI/NFPA 70-1990*.

### **⚠ WARNING**

Appliances equipped with a flexible electrical supply cord are provided with a three-prong grounding plug. It is imperative that this plug be connected to a properly grounded three-prong receptacle. If the receptacle is not the proper grounding type, contact an electrician. Do not remove the grounding prong from this plug.

The Side Burner is designed for 120 volt AC power and must be plugged into a Ground Fault Circuit Interrupter (GFCI) protected circuit. Do not connect the Side Burner to the electrical supply until after gas connections have been made and leak checks have been performed.

### **KEEP ANY ELECTRICAL CORD AND FUEL SUPPLY HOSE AWAY FROM ANY HEATED SURFACES.**

1. To protect against electric shock, do not immerse cord or plugs in water or other liquid.
2. Unplug from the outlet when not in use and before cleaning. Allow to cool before putting on or taking off parts.
3. Do not operate any outdoor cooking gas appliance with a damaged cord or plug, or after the appliance malfunctions or has been damaged in any manner. Contact the manufacturer for repair.
4. Do not let the cord hang over the edge of a table or touch hot surfaces.
5. Do not use an outdoor cooking gas appliance for purposes other than intended.
6. Use only a Ground Fault Circuit Interrupter (GFCI) protected circuit with this outdoor cooking gas appliance.

## GAS AND ELECTRICAL CONNECTIONS *(continued)*



EN

7. Never remove the grounding prong or use with a 2-prong ground adapter.
8. Use only extension cords with a 3-prong grounding plug, rated for the power of the equipment, and approved for outdoor use with a W-A marking.

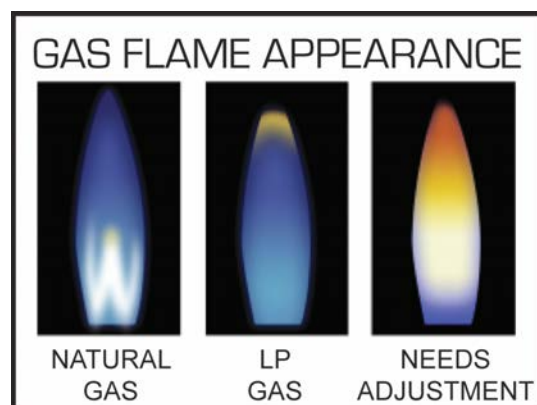
### BURNER ADJUSTMENTS

Hestan Side Burners are similar to many residential gas cooktops. They do not have any adjustments, except for the correct orifices, and adjustment of the low setting on the valve.

### BURNER FLAME ADJUSTMENT

Each Side Burner is tested and adjusted at the factory prior to shipment. The proper orifice for the gas type, and the air-fuel adjustment was made at this time. However, variations in the local gas supply, the elevation where you live, converting from one gas type to another, and other factors might make it necessary to adjust the burner flames.

The flames of the burners should be visually checked and compared with the figures below.



Flames should be blue and stable with no yellow tips (LP units will have some yellow tipping). There should be no excessive noise or flame lifting. If any of these conditions exist, remove the burner cap and check if dirt, debris, spider webs, etc., are blocking the center venturi hole, or the individual burner ports. The occasional orange flame that quickly goes away is usually a small amount of dust or water condensation which is burning off - this is normal.

### VALVE ADJUSTMENTS

The valves on your Hestan Side Burner are preset at the factory for optimum performance. However, the valve also features a low (simmer) adjustment if altitude, low-heat performance, converting from one gas to another, or other factors indicate an adjustment is needed.

## **⚠️ WARNING**

NEVER ADJUST THE BURNER SO LOW THAT IT MAY GO OUT DURING USE. DO NOT OPERATE THE SIDE BURNER WITH THE LOW HEAT SCREW REMOVED. GAS CAN ESCAPE AND CAUSE A POTENTIALLY HAZARDOUS CONDITION.



## GAS AND ELECTRICAL CONNECTIONS *(continued)*

### ADJUSTMENT STEPS:

1. Remove the drip tray, control knobs, and control panel from the unit.
2. Follow lighting instructions by setting the control knob on “HI” and allow the burner to preheat for 10 minutes.
3. Turn the control knob to “LOW” and wait for the burner temperature to drop and stabilize, about 10 minutes. Attempting adjustment at any setting other than LOW can create a dangerous condition.
4. Insert a small, flat-blade screwdriver into the small screw to the left of the valve stem to begin the adjustment (see Fig. 2). The screw only has 2-3 complete revolutions of adjustment. After this, the screw may continue to turn, but is actually coming out of the valve and could result in a gas leak. DO NOT turn more than 3 revolutions!
5. Turn counter-clockwise very slowly to INCREASE the low flame. The flame will take a few seconds to respond to the adjustments you are making.
6. Adjust the flame so the burner is still fully lit on all ports, without fluttering or going out. Turn off the burner and re-light. Check the new low setting once again to assure proper adjustment is reached. Reattach the control panel, drip tray, and control knobs.

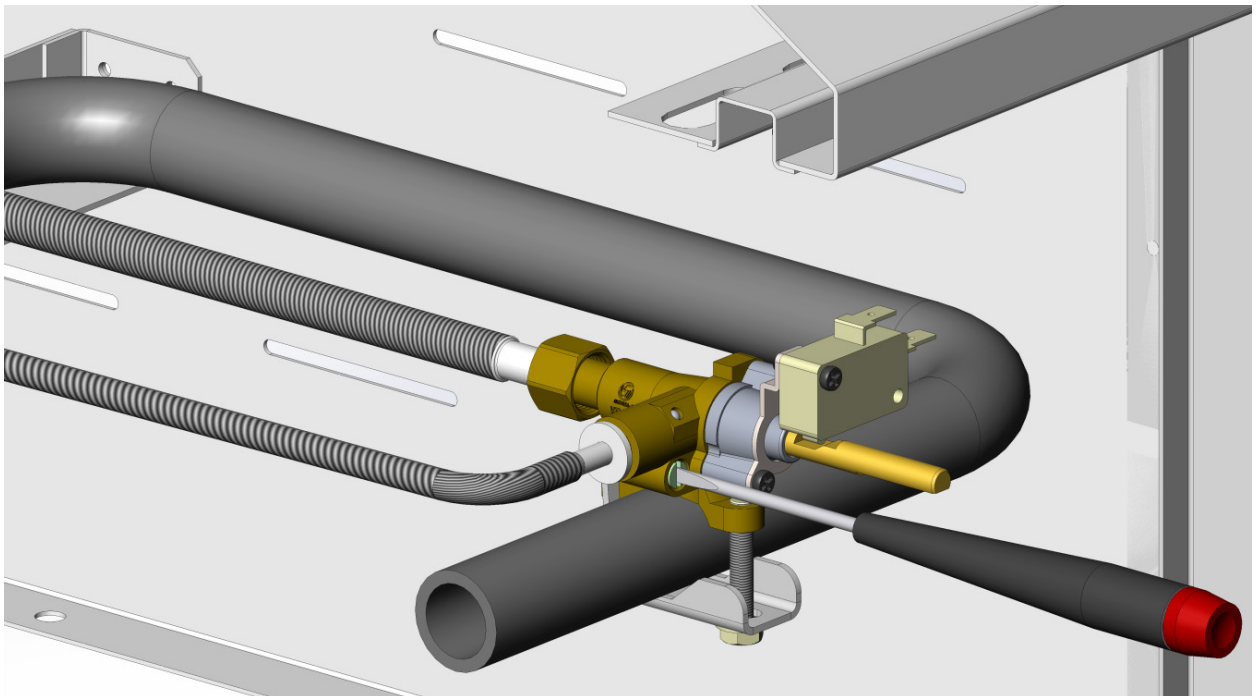


Figure 2



## LIGHTING INSTRUCTIONS

---



Hestan Side Burners feature a spark-ignition system with flame-sensing technology which will relight the flame should it go out.

The Side Burner can also be manually lit should that become necessary.

EN

### LIGHTING SIDE BURNERS

1. Read Use & Care Manual before lighting. Remove cover during lighting.
2. Stand as far away as possible when lighting.
3. Push and turn selected knob to "HIGH" position. Igniter will spark until flame is established.
4. Once lit, turn knob to desired flame setting. If spark does not occur, check electrical supply.
5. If burner does not light in 5 seconds, turn knob to "OFF" and wait 5 minutes before re-lighting.
6. If burner fails to light, see USE & CARE MANUAL for match lighting instructions.

**Note:** The flame-sensing technology of the spark igniter will repeatedly spark (clicking sound) until a flame is established. If you experience nuisance sparking during normal operation of the burner, see the TROUBLESHOOTING section of this manual.

### MATCH LIGHTING INSTRUCTIONS

If a burner will not light after several attempts, it can be lit with a match. When attempting to light a burner with a match, be sure you selected the correct control knob for that burner. Keep your face away as far as possible, and pass the lit match through the openings of the cooking grates and position near the burner ports. Push and turn the control knob to "HIGH" until the burner lights. Repeat this procedure for each burner if necessary. If the burner does not light in 5 seconds, turn the control knob to "OFF" and wait 5 minutes before trying again. If the burner will not light after several attempts, see the TROUBLESHOOTING section of this manual.





**WE WILL NEVER STOP  
SEARCHING FOR NEW  
WAYS TO EXPRESS  
OUR CELEBRATION OF  
GREAT FOOD.**



## USING YOUR SIDE BURNER



Your Hestan Side Burner is a powerful cooking tool that complements your Hestan Grill. DO NOT leave the Side Burner unattended while cooking.

### COOKING WITH SIDE BURNERS

Use your Hestan Side Burner like you would any residential gas cooktop in your home. Choose the appropriate pot or pan for the burner. In other words, don't put a small pot over a large burner. For safety reasons, control the flame height so that it doesn't go beyond, or curl up the sides of your pot or pan. This behavior results in poor heating of the contents of the pan, burnt food on the sides of the pan, wasted fuel, etc.

## CLEANING AND MAINTENANCE



### STAINLESS STEEL CARE

Stainless Steel is widely used for catering and residential kitchen equipment because of its strength, its ability to resist corrosion, and its ease of cleaning. Unfortunately, the metal is often taken for granted and it is assumed that no problems will arise during its usage. However, some care is required to ensure a long service life of the Side Burner.

To maintain the original appearance of your Hestan Side Burner, a regular cleaning routine should be carried out using the following guidelines:

1. After use, following the safety precautions detailed earlier in this manual, wipe the appliance with a soft, damp, soapy cloth and rinse with clean, warm water. This should remove most substances encountered during the cooking process.
2. For stubborn stains, including burnt-on grease and food-borne deposits, use a multipurpose, non-abrasive, cream cleanser and apply with a soft damp cloth. Rinse with fresh water, as described above. On no account should steel wool pads be used unless they are made of stainless steel.
3. Harsh abrasives and metallic scouring materials should not be used for cleaning stainless steel as they will leave scratch marks in the surface and damage the appearance of the appliance. Likewise, do not use wire brushes, scrapers or contaminated scouring pads.
4. For those areas with a directional grain, any cleaning with abrasives should be carried out along this grain direction and not across it.
5. After use, always remove wet cleaning aids (such as cloths, pads, containers) from the surface, to avoid formation of water marks or stains.
6. If required, dry the appliance after use with a soft dry cloth or towel.

If the preceding guidelines are adhered to, your Hestan Side Burner should offer excellent life and should live up to its reputation of being "stainless". Neglect of this practice, however, can lead to deterioration of the surface and, in some extreme cases, corrosion of the steel itself. The two most common types of corrosion that may be encountered, particularly on stainless steel, are rust marks and pitting of the surface.

### RUST-BROWN MARKS

These rust marks are likely the result of small particles of "ordinary-steel" which have become attached to the surface and have subsequently rusted in the damp environment. The most common source of such particles is from steel wool scouring pads, but contamination may also occur from carbon steel utensils and old water supply pipes. These brown marks are only superficial stains, which will not harm the Side Burner. They should be removable using a soft damp cloth and a multi-purpose, non-abrasive, cream cleanser. Occasionally, it may be necessary



## CLEANING AND MAINTENANCE *(continued)*

to resort to a proprietary stainless steel cleanser to return the surface of the Side Burner to its original condition. To avoid re-occurrence of any “rust-staining”, it is essential that the source of the contamination is eliminated. A Hestan Side Burner cover will go a long way toward preventing this kind of contamination.

### PITTING

A more severe form of corrosion is pitting of the surface. The sources of this corrosive attack can usually be attributed to certain household products such as bleach, household cleaners containing bleach (sodium hypochlorite), and pool chlorine. If you see pitting of the stainless steel surface, you can attempt to buff it out using stainless steel abrasive pads, but in most cases, pitting of the surface cannot be removed.

### FOODSTUFFS

In general, stainless steel is fully resistant to all foodstuffs in common use. Only in isolated cases, such as when concentrated salt and vinegar mixtures are allowed to remain in contact with the steel for a prolonged period, can any surface marking result. Clean the surface as per instructions above.

### CARE OF PAINTED SURFACES (IF APPLICABLE)

Hestan Side Burners are available in standard stainless steel, or 11 optional colors. The tough powder-coating on these panels are commonly used on automotive parts, and commercial and residential appliances because of their excellent chip resistance, and resistance to a variety of chemicals. The finish should hold up well outdoors in most conditions. However, like any painted surface, special care must be taken when cleaning this finish.

To clean your powder coated surface:

1. Carefully remove any loose deposits with a wet sponge.
2. Use a soft brush (non abrasive) or cloth, and a mild household detergent solution to remove dust, salt and other deposits. Never use any solvent-based cleaners, stainless steel cleaners, heavy degreasers, oven cleaners, etc. on the painted surfaces. They can permanently damage the paint.
3. Rinse off with clean fresh water

### CARE & MAINTENANCE OF SIDE BURNER COMPONENTS

#### SIDE BURNER GRATE

The easiest way to clean the cooking grate is immediately after cooking is completed and after turning off the flame. Wear a grill mitt to protect your hand from the heat and steam. Dip a brass bristle grill brush in hot soapy water and scrub the hot grate. Dip the brush frequently in the bowl of water. The steam created as water contacts the hot grate, assists the cleaning process by softening any food particles. If the Side Burner is allowed to cool before cleaning, then cleaning will be more difficult.

#### BURNER CLEANING

Cleaning of the burner assembly itself should only be necessary in the event of a large spillover which may have clogged the burner ports, etc. When the burner is completely cooled down, remove the burner cap and clean up whatever debris, food, grease etc. you find using a warm, soapy water solution. A toothbrush can be used to scrub difficult areas. Wipe with a clean cloth and reassemble.

#### IGNITERS

The spark igniter on the Side Burner is partially exposed and can be contaminated in the event you have a boil-over when using the Side Burner. You can gently clean them with a soapy water solution and a toothbrush. Wipe down with a clean cloth.

**NOTE:** Rough handling of the igniter can crack the ceramic body, causing it to fail. Handle with care.





### ADDITIONAL CONSIDERATIONS

Always keep the area around the Grill and Side Burner free of obstructions and debris. Maintain at least 12" (30 cm) of space around the Grill and Side Burner to ensure proper airflow, and keep all ventilation openings clear and free of debris. Clean appliance after each use, and check for blockages, especially at the burner orifices, after periods of prolonged non-use. To maintain the appearance of your Hestan Side Burner for many years, keep it covered when not in use. Backyard environments are harsh on your appliance's finish. Long exposure to sun, water, yard chemicals and the elements could diminish the appearance of the stainless steel. This is very evident in ocean-front locations.

Our appliance materials have been tested in saline solutions with higher salinity than seawater. They have also been tested by exposure to highly acidic foods. During and after these tests, we found these materials were able to withstand exposure over prolonged periods of time. However, the above-mentioned corrosive substances, along with neglect, can lead to a situation whereby conditions might combine to cause some damage to occur. Therefore, we suggest that you always keep your Grill and Side Burner clean, dry and covered when not in use. This is even more important when long term storage is required. Always store the Grill and Side Burner clean, dry and covered with your Hestan Grill and Side Burner cover. A dirty Grill and Side Burner will attract insects and rodents which is highly unsanitary. In addition, rodents are known to chew on the insulation of wiring which will cause permanent damage to the wiring and possibly electrical components.

For those in desert communities, wind-driven sand is highly abrasive and constant exposure will eventually pit and scratch the surface. Another reason to keep your Grill and Side Burner covered when not in use.



## TROUBLESHOOTING GUIDE

EN

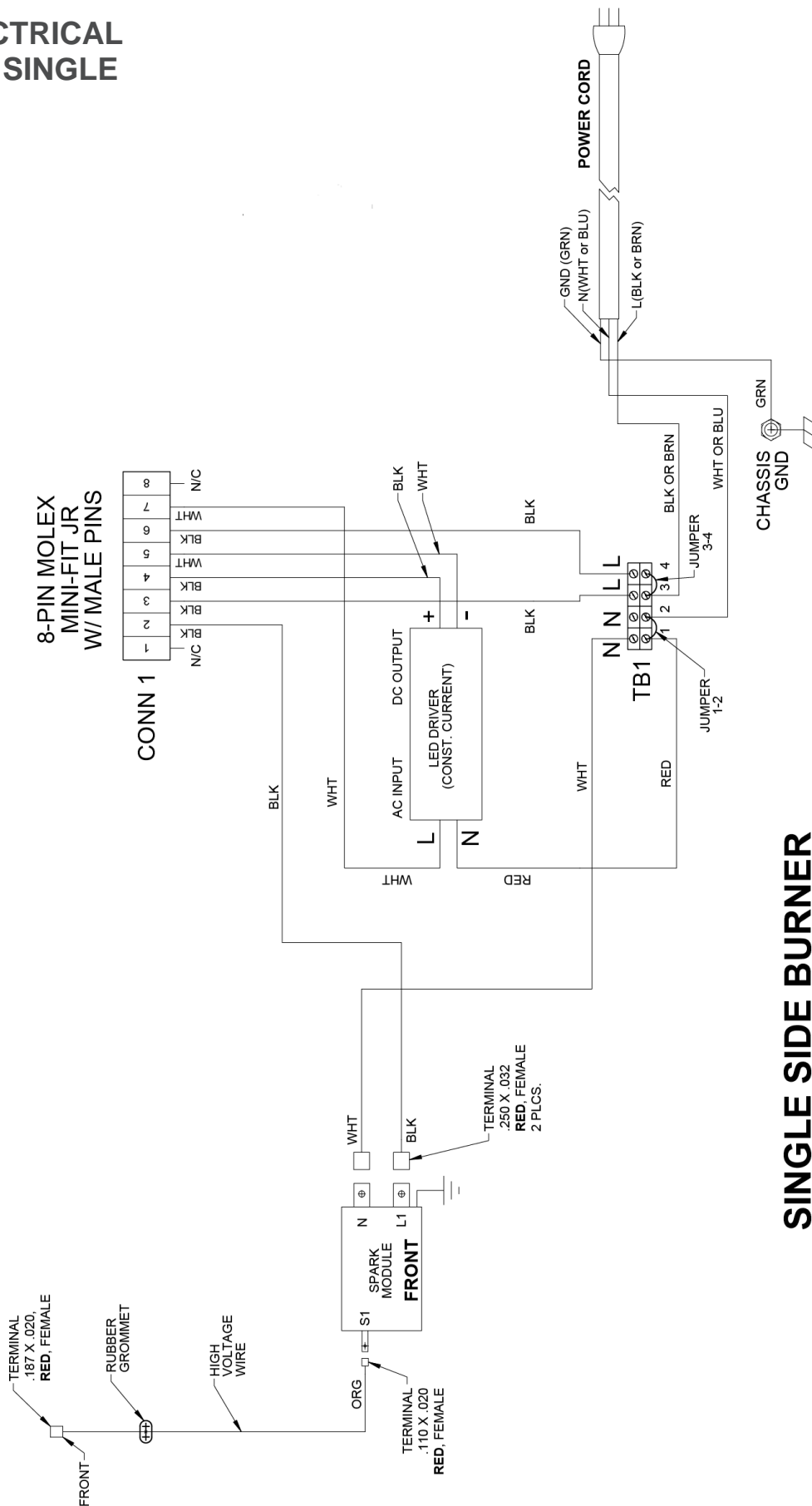
Symptom	Check
Burner will not light	Gas supply not on / shutoff valve closed LP gas cylinder empty Power cord not plugged in, or no power to receptacle, or blown fuse Low gas pressure to unit Burner ports near igniter are obstructed or dirty Burner cap not installed correctly on base Defective or clogged burner valve Incorrect orifice or clogged orifice Igniter defective (not sparking) Defective regulator or regulator installed improperly
Burner will not stay lit	Burner ports obstructed or dirty Vent plugged on regulator or regulator installed improperly Windy conditions Low gas pressure
Slow to heat up	Low gas pressure or low LP cylinder Burner ports are obstructed or dirty Defective or clogged burner valve Incorrect orifice or clogged orifice
Gas Odor	Burner went out or did not light Loose or broken gas line Ruptured pressure regulator Burner cap not installed correctly on base Poor combustion, air-fuel mixture not adjusted properly Obstructed/dirty burner ports
Burner not working well / lazy or yellow flame	Burner ports are obstructed or dirty, check for spider webs Poor combustion, air-fuel mixture not adjusted properly Gas pressure incorrect / incorrect regulator Orifice sized incorrectly for gas type
Control panel LED lights not working	Power cord not plugged in, or no power to receptacle Check fuse on electrical box.
Nuisance clicking of Side Burner	Windy conditions Flame too low Food debris on electrode

# WIRING SCHEMATIC



## ELECTRICAL BOX SINGLE

EN



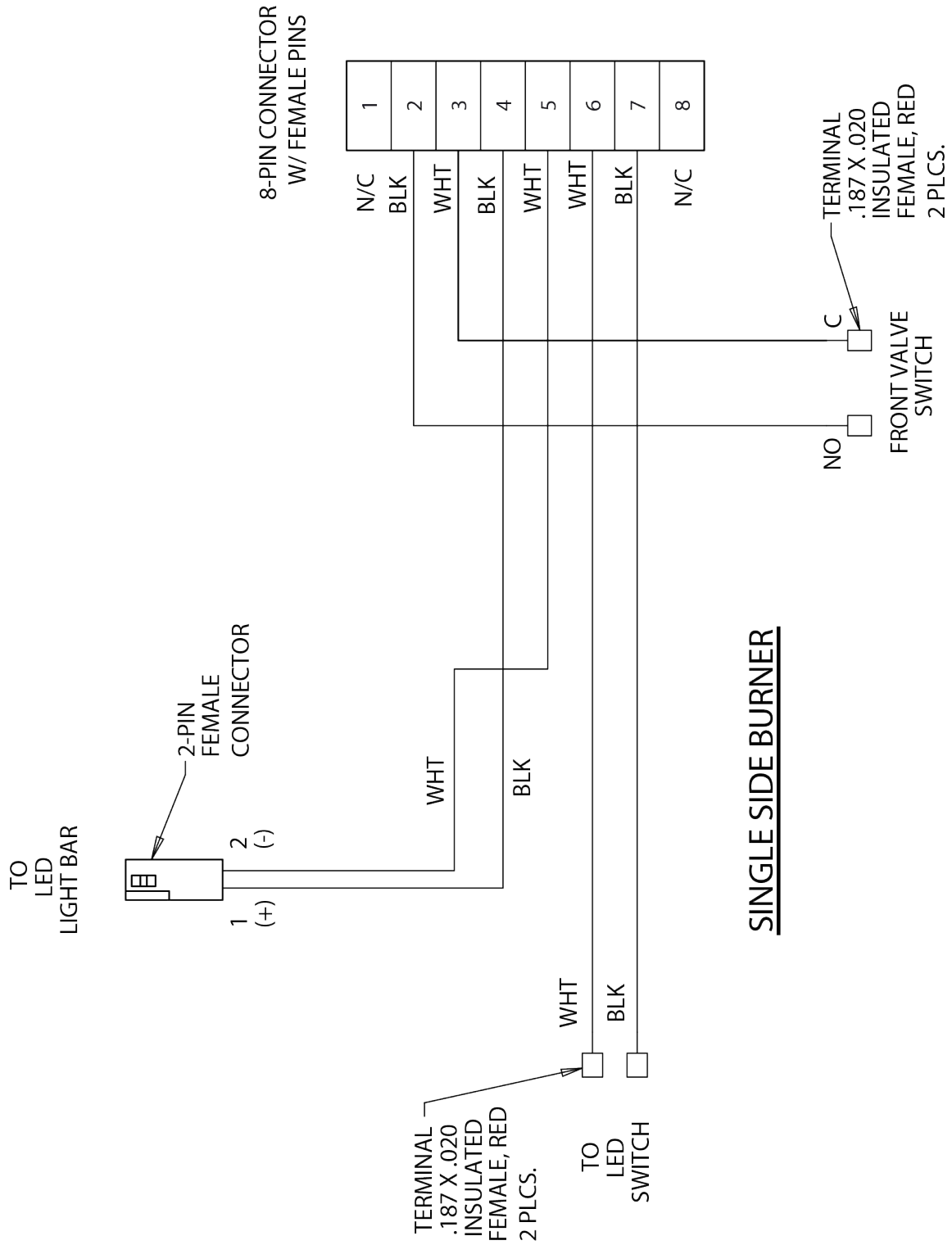
## SINGLE SIDE BURNER



# WIRING SCHEMATIC

## WIRE HARNESS SINGLE

EN



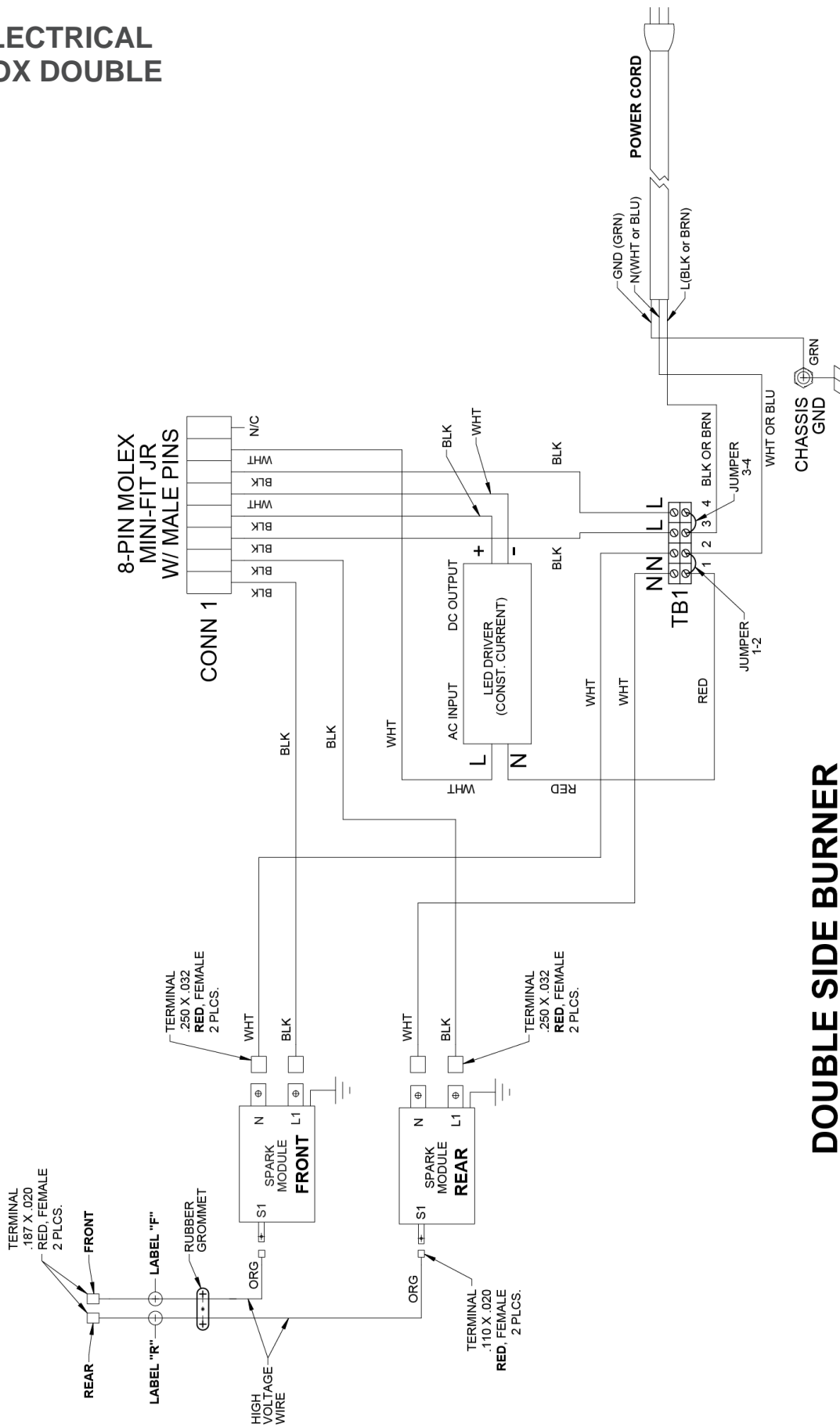


# WIRING SCHEMATIC



## ELECTRICAL BOX DOUBLE

EN



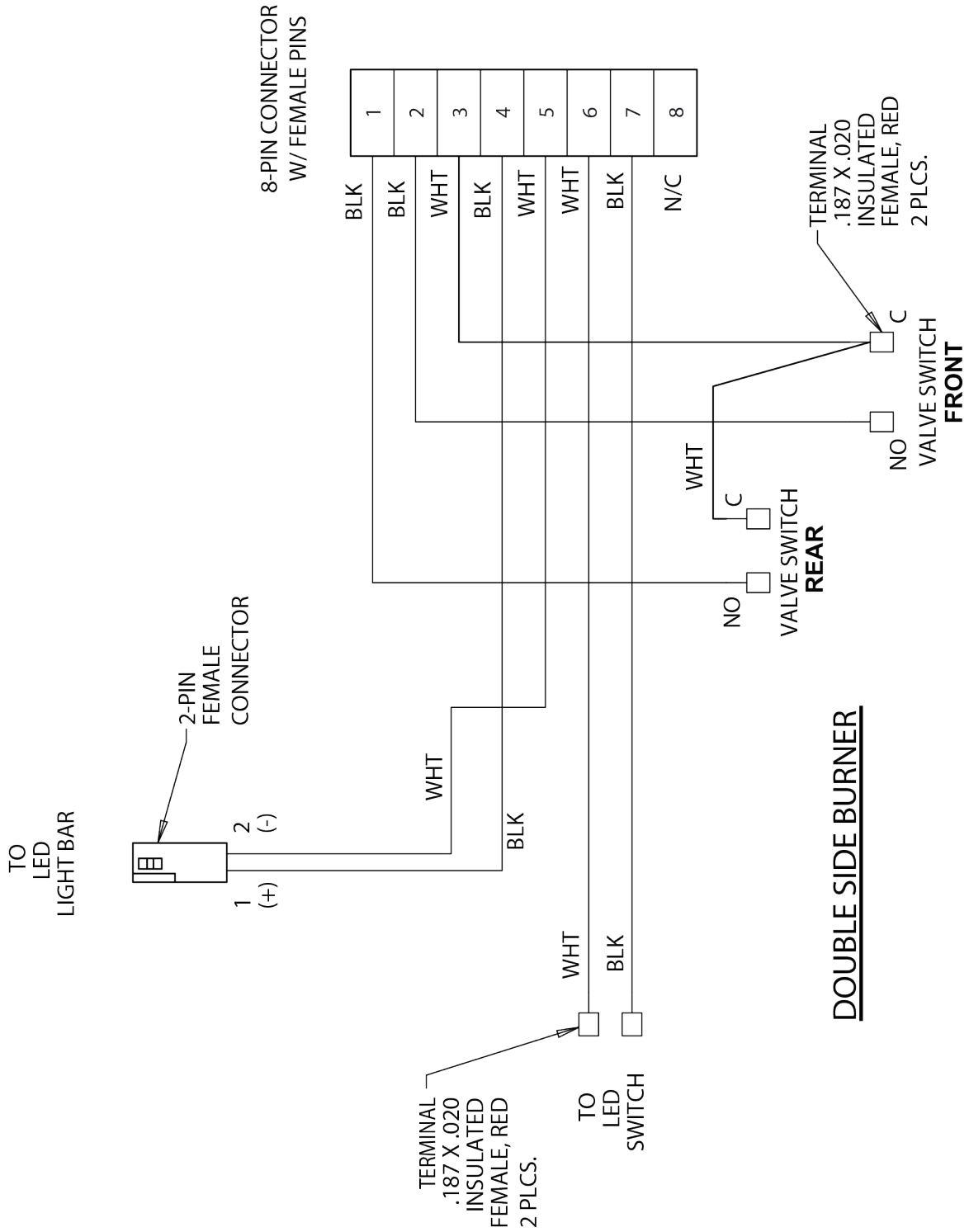
## DOUBLE SIDE BURNER



# WIRING SCHEMATIC

## WIRE HARNESS DOUBLE

EN



## PARTS LIST

---



Please visit the Hestan website to access the parts list for your Hestan Outdoor product:  
[www.hestanhome.com](http://www.hestanhome.com).

## SERVICE

---



All warranty and non-warranty repairs should be performed by qualified service personnel. To locate an authorized service agent in your area, contact your Hestan dealer, local representative, or the manufacturer. Before you call, please have the model number and serial number information ready. This information is shown on the rating sticker affixed to the inside rear wall of your appliance.

Hestan Commercial Corporation  
3375 E. La Palma Avenue  
Anaheim, CA 92806  
(888) 905-7463

## LIMITED WARRANTY

---



### WHAT THIS LIMITED WARRANTY COVERS

Hestan Commercial Corporation (“HCC”) warrants to the original consumer purchaser of a Hestan outdoor gas product (the “Product”) from an HCC authorized dealer that the Product is free from defective materials or workmanship for a period of one (1) year from the date of original retail purchase or closing date for new construction, whichever period is longer (“Limited Warranty Period”). HCC agrees to repair or replace, at HCC’s sole option, any part or component of the Product that fails due to defective materials or workmanship during the Limited Warranty Period. This Limited Warranty is not transferable and does not extend to anyone beyond the original consumer purchaser (“Purchaser”). This Limited Warranty is valid only on Products purchased and received from an HCC authorized dealer in the fifty United States, the District of Columbia and Canada. This Limited Warranty applies only to Products in non-commercial use and does not extend to Products used in commercial applications.

### HOW TO OBTAIN WARRANTY SERVICE

If the Product fails during the Limited Warranty Period for reasons covered by this Limited Warranty, the Purchaser must immediately contact the dealer from whom the Product was purchased or HCC at 888.905.7463.

Purchaser is responsible for making the Product reasonably accessible for service or for paying the cost to make the Product reasonably accessible for service. Service is to be provided during normal business hours of the authorized Hestan Commercial Service Provider. To the extent Purchaser requests service outside of the normal business hours of the authorized Hestan Commercial Service Provider, Purchaser will pay the difference between regular rates and overtime or premium rates. Purchaser is required to pay all travel costs for travel beyond 50 miles (one way) from the nearest authorized Hestan Commercial Service Provider.

*(Continued on the next page)*



## LIMITED WARRANTY *(continued)*

### EXTENSIONS TO ONE YEAR LIMITED WARRANTY PERIOD:

In addition to the One-Year Limited Warranty, the following components have extended warranty coverage as specifically set forth below:

1. The Product's stainless steel grill body, DiamondCut cooking grates and warming rack, stainless Trellis grill burners, Sear burners and rotisserie infrared burner (where applicable) are warranted to be free from defects in material and workmanship under normal non-commercial use and service for the lifetime of the original Purchaser. This excludes surface corrosion, scratches, and discoloration which may occur during normal use and is limited to replacement of the defective part(s), with the Purchaser paying all other costs, including labor, shipping and handling, as applicable.
2. The Product's spit rod, briquette trays, manifolds, gas valves and sealed burner assemblies (where applicable) are warranted to be free from defects in material and workmanship, under normal non-commercial use and service, for a period of five (5) years from the original date of purchase; This is limited to replacement of the defective parts, with the Purchaser paying all other costs, including labor, shipping, and handling, as applicable.

### WHAT THIS LIMITED WARRANTY DOES NOT COVER:

This Limited Warranty does not cover and HCC will not be responsible for and will not pay for: damage to or defects in any Product not purchased from an HCC authorized dealer; color variations in color finishes or other cosmetic damage; failure or damage from abuse, misuse, accident, fire, natural disaster, commercial use of the Product, or loss of electrical power or gas supply to the Product; damage from alteration, improper installation, or improper operation of the Product; damage from improper or unauthorized repair or replacement of any part or component of the Product; damage from service by someone other than an authorized agent or representative of the Hestan Commercial Service Network; normal wear and tear; damage from exposure of the Product to a corrosive atmosphere containing chlorine, fluorine, or any other damaging chemicals; damage resulting from the failure to provide normal care and maintenance to the Product; damage HCC was not notified of within the Limited Warranty Period; and incidental and consequential damages caused by any defective material or workmanship.

### ARBITRATION:

This Limited Warranty is governed by the Federal Arbitration Act. Any dispute between Purchaser and HCC regarding or related to the Product or to this Limited Warranty shall be resolved by binding arbitration only on an individual basis with Purchaser. Arbitration will be conducted by the American Arbitration Association ("AAA") in accordance with its Consumer Arbitration Rules or by JAMS. The arbitration hearing shall be before one arbitrator appointed by the AAA or JAMS. The arbitrator shall not conduct class arbitration and Purchaser shall not bring any claims against HCC in a representative capacity on behalf of others.

### LIMITATION OF LIABILITY:

This Limited Warranty is the final, complete and exclusive agreement between HCC and Purchaser regarding the Product.

**THERE ARE NO EXPRESS WARRANTIES OTHER THAN THOSE LISTED AND DESCRIBED ABOVE. NO WARRANTIES WHETHER EXPRESS OR IMPLIED, INCLUDING, BUT NOT LIMITED TO, ANY IMPLIED WARRANTIES OF MERCHANTABILITY OR FITNESS FOR A PARTICULAR PURPOSE SHALL APPLY AFTER THE LIMITED WARRANTY PERIOD STATED ABOVE. NO OTHER EXPRESS WARRANTY OR GUARANTY GIVEN BY ANY PERSON, FIRM OR CORPORATION WITH RESPECT TO THIS PRODUCT SHALL BE BINDING ON HCC. HCC ASSUMES NO RESPONSIBILITY THAT THE PRODUCT WILL BE FIT FOR ANY PARTICULAR PURPOSE, EXCEPT AS OTHERWISE PROVIDED BY APPLICABLE LAW.**



## LIMITED WARRANTY *(continued)*



EN

HCC SHALL NOT BE LIABLE FOR LOSS OF REVENUE OR PROFITS, FAILURE TO REALIZE SAVINGS OR OTHER BENEFITS, OR ANY OTHER SPECIAL, INCIDENTAL OR CONSEQUENTIAL DAMAGES CAUSED BY THE USE, MISUSE OR INABILITY TO USE THE PRODUCT, REGARDLESS OF THE LEGAL THEORY ON WHICH THE CLAIM IS BASED, AND EVEN IF HCC HAS BEEN ADVISED OF THE POSSIBILITY OF SUCH DAMAGES. NO RECOVERY OF ANY KIND AGAINST HCC SHALL BE GREATER IN AMOUNT THAN THE PURCHASE PRICE OF THE PRODUCT.

WITHOUT LIMITING THE FOREGOING, YOU ASSUME ALL RISK AND LIABILITY FOR LOSS, DAMAGE OR INJURY TO YOU AND YOUR PROPERTY AND TO OTHERS AND THEIR PROPERTY ARISING OUT OF THE USE, MISUSE OR INABILITY TO USE THE PRODUCT NOT CAUSED DIRECTLY BY THE NEGLIGENCE OF HCC. THIS LIMITED WARRANTY STATES YOUR EXCLUSIVE REMEDY.

No oral or written representation or commitment given by anyone, including but not limited to, an employee, representative or agent of HCC will create a warranty or in any way increase the scope of this express Limited One Year Warranty. If there is any inconsistency between this Limited Warranty and any other agreement or statement included with or relating to the Product, this Limited Warranty shall govern. If any provision of this Limited Warranty is found invalid or unenforceable, it shall be deemed modified to the minimum extent necessary to make it enforceable and the remainder of the Limited Warranty shall remain valid and enforceable according to its terms.

### **INTERACTION OF LAWS WITH THIS LIMITED WARRANTY:**

Some states, provinces or territories may not allow limitations on how long an implied warranty lasts or the exclusion or limitation of incidental or consequential damages, so the above limitations or exclusions may not apply to you. Some states, provinces or territories may provide for additional warranty rights and remedies, and the provisions contained in this Limited Warranty are not intended to limit, modify, take away from, disclaim or exclude any mandatory warranty requirements provided by states, provinces or territories, including certain implied warranties. This warranty gives you specific legal rights, and you may also have other rights which vary depending on location.

Any questions about this Limited Warranty may be directed to  
Hestan Commercial Corporation at (888) 905-7463

**BRÛLEUR LATÉRAL DE  
PLEIN AIR HESTAN, LE PLUS  
PUISSANT, POLYVALENT ET  
FIABLE DISPONIBLE.**







## **Un message de Hestan**

*La cuisine en plein air est le rêve du perfectionniste et, grâce à ce nouvel investissement, vous vous en êtes maintenant rapproché. Nous vous souhaitons une sincère bienvenue dans la famille Hestan. Nous avons conçu et fabriqué nos produits pour garantir que vos invités vous complimenteront à propos du plat que vous leur servirez mais, au fond d'eux-mêmes, nos clients savent qu'il aurait pu être un peu plus tendre, un peu plus juteux, qu'il aurait suffi d'une pincée de sel supplémentaire ou de quelques secondes de moins sur la flamme. Nous avons pris le temps de connaître nos clients et nous sommes enthousiasmés par l'idée de faire ce voyage avec vous. C'est de cette même passion de perfectionnisme qu'est né le gril de plein air Hestan. Nos ingénieurs ont expérimenté, innové, ajusté et modifié, jusqu'à ce qu'ils aient créé les produits de plein air les plus puissants, polyvalents et fiables disponibles sur le marché.*

*Nous nous enorgueillons de nos innovations incessantes, de notre ingénierie de pointe et de nos modèles conçus spécialement, mais aussi de notre connaissance approfondie de la clientèle que nous visons, ainsi que des intérêts et des besoins des utilisateurs finals que nous servons ou convoitons. Pour de nombreux clients, la cuisine de plein air représente beaucoup plus que la préparation d'aliments. Il s'agit d'une activité qui englobe, entre autres, des aspects culinaires, de loisirs et sociaux.*

*Nous sommes reconnaissants et fiers du fait que vous ayez choisi Hestan, et nous espérons que vous nous resterez fidèle. Nous prenons votre décision d'avoir choisi Hestan très au sérieux et vous promettons de vous offrir ce qui se fait de mieux.*

## **Bienvenue chez Hestan**

**! DANGER**

S'il y a une odeur de gaz :

1. Coupez l'admission de gaz de l'appareil.
2. Éteindre toute flamme nue.
3. Ouvrir le couvercle.
4. Si l'odeur persiste, éloignez-vous de l'appareil et appelez immédiatement le fournisseur de gaz ou le service d'incendie.

**! DANGER**

1. Ne pas entreposer ni utiliser de l'essence ni d'autres vapeurs ou liquides inflammables dans le voisinage de l'appareil, ni de tout autre appareil.
2. Une bouteille de GPL qui n'est pas raccordée en vue de son utilisation, ne doit pas être entreposée dans le voisinage de cet appareil ou de tout autre appareil.

**! AVERTISSEMENT**

L'INOBSERVATION DES INFORMATIONS DONNÉES DANS CE MANUEL PEUT ENTRAÎNER UN INCENDIE OU UNE EXPLOSION DE NATURE À CAUSER DES DÉGÂTS MATÉRIELS ET DES BLESSURES GRAVES, VOIRE MORTELLES.

**! AVERTISSEMENT**

Ne pas essayer d'allumer cet appareil sans lire d'abord la section INSTRUCTIONS D'ALLUMAGE de ce manuel.

**! AVERTISSEMENT**

À utiliser à l'extérieur UNIQUEMENT. Cet appareil de cuisson n'est pas destiné à être installé dans ou sur les véhicules de loisirs ni les bateaux.

**! AVERTISSEMENT**

Gaz inflammable - débrancher toute alimentation en propane ou gaz naturel de cet appareil avant de procéder à l'entretien de celui-ci.

**! AVERTISSEMENT**

Pièces et composants électriques – débrancher les alimentations électriques de toute nature avant de procéder à une opération d'entretien.

**LIRE CE MANUEL ATTENTIVEMENT ET ENTIÈREMENT AVANT D'UTILISER LE BRÛLEUR POUR LIMITER LES RISQUES D'INCENDIE, DE BRÛLURES OU D'AUTRES BLESSURES. CONSERVER CE MANUEL À TITRE DE RÉFÉRENCE.**



## TABLE DES MATIÈRES



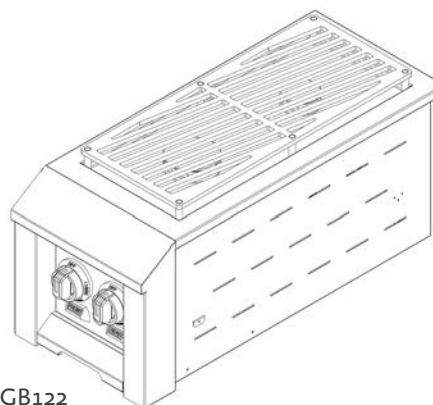
3	NUMÉROS DE MODÈLE
4	PLAQUE SIGNALÉTIQUE
4	PRÉCAUTIONS
7	RESPECT DE LA RÉGLEMENTATION ET DES CODES EN VIGUEUR
7	BOUEILLES DE GPL PORTATIVES
8	IMPLANTATION ET ASSEMBLAGE
8	INSTALLATION
11	BRANCHEMENTS POUR LE GAZ ET L'ÉLECTRICITÉ
19	INSTRUCTIONS D'ALLUMAGE
21	EMPLOI DU BRÛLEUR LATÉRAL
21	NETTOYAGE ET ENTRETIEN
24	DÉPANNAGE
25	SCHÉMAS DE CÂBLAGE
29	Liste des pièces
29	SERVICE
29	GARANTIE

FR

## NUMÉROS DE MODÈLE



AGB121



AGB122


### MODÈLES ENCASTRÉS

Numéro de Modèle	Description
AGB121-NG / -LP	ENCASTRÉ BRÛLEUR LATÉRAL UNIQUE 12 po
AGB122-NG / -LP	ENCASTRÉ BRÛLEUR LATÉRAL DOUBLE 12 po



## PLAQUE SIGNALÉTIQUE

La plaque signalétique donne des informations importantes sur cet appareil Hestan telles que les numéros de série et de modèle, le type de gaz et la pression d'admission, la cote BTU pour chaque type de brûleur et les dégagements minima d'installation.

HESTAN COMMERCIAL CORP. ANAHEIM, CA. - USA			MODEL / MODELE			PATENTED: <a href="http://outdoor.hestan.com/patents.pdf">http://outdoor.hestan.com/patents.pdf</a>											
VOLTS 120 Hz 60 PHASE 1 AMPS			SER. NO. / NO. SER.			 CONFORME À LA NORME ANSI Z21.58 CERTIFIÉ À LA NORME CSA 1.6 APPAREIL DE CUISSON AU GAZ POUR USAGE EN PLEIN AIR											
GAS TYPE (TYPE DE GAZ)		BTU/HOUR/ FRONT BURNER (BRÛLEUR AVANT)															
OUTLET PRESSURE (PRESS. SORTIE) INCH W.C. kPa		BTU/HOUR/ REAR BURNER (BRÛLEUR ARRIÈRE)		CONFORMS TO ANSI STD Z21.58 CERTIFIED TO CSA STD 1.6 OUTDOOR COOKING GAS APPLIANCE		À UTILISER À L'EXTÉRIEUR UNIQUEMENT. EN CAS DE REMISAGE DU GRIL À L'INTÉRIEUR, DÉBRANCHER LA BOUTEILLE DE GAZ ET LA LAISSER DÉHORS. NE PAS ENTREPOSER UNE BOUTEILLE DE GPL DE SECOURS EN DESSOUS NI À CÔTÉ DE L'APPAREIL. NE JAMAIS REMPLIR LA BOUTEILLE DE GAZ À PLUS DE 80% DE SA CAPACITÉ. SI LES DIRECTIVES DONNÉES CI-DESSUS NE SONT PAS APPLIQUÉES À LA LETTRE, UN INCENDIE ENTRAÎNANT DES BLESSURES GRAVES, VOIRE MORTELLES, PEUT SE PRODUIRE. NE PAS IMPLANTER CET APPAREIL, SOUS DES SURFACES COMBUSTIBLES EN SURPLOMB. CONÇU UNIQUEMENT POUR INTÉGRATION DANS UNE ENCEINTE CONSTITUÉE DE MATÉRIAUX NON COMBUSTIBLES. EN CAS D'INTÉGRATION DANS UNE ENCEINTE CONSTITUÉE DE MATÉRIAUX COMBUSTIBLES, UTILISER L'ENVELOPPE PROTECTRICE ISOLANTE FOURNIE PAR LE FABRICANT. ATTENTION - N'UTILISER QUE LE DÉTENDEUR FOURNI AVEC CET APPAREIL. CE RÉGULATEUR EST RÉGLÉ POUR UNE PRESSION DE SORTIE SPÉCIFIÉE CI-DESSUS.											
MIN. CLEARANCES / DÉGAGEMENTS			FOR OUTDOOR USE ONLY. IF STORED INDOORS, DETACH AND LEAVE GAS CYLINDER OUTDOORS. DO NOT STORE A SPARE LP-GAS CYLINDER UNDER OR NEAR THIS APPLIANCE. NEVER FILL THE GAS CYLINDER BEYOND 80% FULL. IF THE INFORMATION ABOVE IS NOT FOLLOWED EXACTLY, A FIRE CAUSING DEATH OR SERIOUS INJURY MAY OCCUR. DO NOT LOCATE THIS APPLIANCE UNDER OVERHEAD COMBUSTIBLE SURFACES. ONLY FOR INSTALLATION IN A BUILT-IN ENCLOSURE CONSTRUCTED OF NON-COMBUSTIBLE MATERIALS. FOR INSTALLATION IN A BUILT-IN ENCLOSURE CONSTRUCTED OF COMBUSTIBLE MATERIALS, USE INSULATING JACKET PROVIDED BY MANUFACTURER. CAUTION: USE ONLY THE GAS PRESSURE REGULATOR SUPPLIED WITH THIS APPLIANCE. THIS REGULATOR IS SET FOR AN OUTLET PRESSURE AS SPECIFIED ABOVE.														
<table border="1"> <thead> <tr> <th></th> <th>COMBUSTIBLE</th> <th>NON-COMBUSTIBLE</th> </tr> </thead> <tbody> <tr> <td>BACK / ARRIÈRE</td> <td>12"</td> <td>0"</td> </tr> <tr> <td>SIDES / CÔTÉS</td> <td>12"</td> <td>0"</td> </tr> </tbody> </table>				COMBUSTIBLE	NON-COMBUSTIBLE	BACK / ARRIÈRE	12"	0"	SIDES / CÔTÉS	12"	0"						
	COMBUSTIBLE	NON-COMBUSTIBLE															
BACK / ARRIÈRE	12"	0"															
SIDES / CÔTÉS	12"	0"															

La plaque signalétique des brûleurs latéraux pour usage extérieur Hestan se trouve sur la paroi arrière intérieure de l'appareil, derrière le panneau de commande.



## PRÉCAUTIONS À PRENDRE AVANT D'UTILISER CE BRÛLEUR LATÉRAL

S'il est bien entretenu, ce Brûleur Latéral Hestan procurera un service sûr et fiable pendant de nombreuses années. Il convient toutefois de faire preuve d'extrême prudence car le brûleur dégage une chaleur intense qui peut causer des blessures graves, voire même mortelles, si les instructions ne sont pas suivies à la lettre. Lorsqu'on se sert de cet appareil, les pratiques élémentaires suivantes en matière de sécurité doivent être adoptées.

1. NE JAMAIS LAISSER LE BRÛLEUR LATÉRAL SANS SURVEILLANCE PENDANT LA CUISSON.
2. Les enfants ne doivent pas être laissés seuls ou sans surveillance aux alentours d'un Brûleur Latéral en cours d'utilisation. Ne jamais les laisser s'asseoir, se tenir ou jouer sur le Brûleur Latéral ni autour de lui. Ne pas ranger d'articles qui attirent les enfants autour ou en dessous du Brûleur Latéral ni dans le chariot. Ne jamais laisser des enfants se glisser à l'intérieur du chariot.
3. Ne jamais se servir du Brûleur Latéral lorsqu'on est sous l'influence de l'alcool ou de drogues.
4. Ne jamais se servir du Brûleur Latéral par grand vent. Si l'appareil est implanté dans un endroit constamment venteux, en bord de mer, sur un sommet, etc., un coupe-vent sera nécessaire. Toujours s'en tenir aux dégagements spécifiés dans la section INSTALLATION de ce manuel.
5. Ce Brûleur Latéral ne doit être utilisé qu'en plein air, à l'exclusion des bâtiments, garages, hangars, passages couverts ou de tout espace clos. Ne pas faire fonctionner le Brûleur Latéral sous un abri combustible non protégé. Ne le faire que dans des endroits bien aérés. Voir la section INSTALLATION de ce manuel.
6. Ne pas utiliser le Brûleur Latéral si un contrôle d'étanchéité n'a pas été effectué sur tous les raccordements de gaz. Voir la section RACCORDEMENTS DE GAZ de ce manuel.
7. Si le Brûleur Latéral est installé par un installateur ou technicien professionnel, ne pas oublier de leur demander où se trouve le robinet d'arrêt de l'alimentation en gaz. Toutes les conduites de gaz doivent être pourvues d'un robinet d'arrêt aisément accessible. En cas d'odeur de gaz, effectuer immédiatement un contrôle d'étanchéité. Pour ce faire, utiliser uniquement de l'eau savonneuse. Ne jamais rechercher des fuites de gaz avec une flamme nue. Voir la section RACCORDEMENTS DE GAZ de ce manuel.
8. Vérifier soigneusement le détendeur, les tuyaux, les orifices de combustion, et la section venturi / clapet. Toujours couper le gaz à la source (bouteille ou conduite d'alimentation) avant d'examiner ces pièces.
9. Lorsqu'on allume un brûleur, toujours faire très attention à ce que l'on fait. Veiller à tourner le bouton correspondant au brûleur que l'on a l'intention d'utiliser. Si un brûleur quelconque ne s'allume pas, ou s'éteint en cours de fonctionnement, tourner tous les boutons de réglage de gaz en position de fermeture, et attendre cinq (5) minutes avant d'essayer de rallumer. Voir la section INSTRUCTIONS D'ALLUMAGE de ce manuel.

## PRÉCAUTIONS À PRENDRE AVANT D'UTILISER CE BRÛLEUR LATÉRAL (suite)



FR

10. Bouteilles de GPL portatives - Toujours fermer le robinet de la bouteille de propane liquide (GPL) après chaque utilisation. Ne jamais utiliser une bouteille de GPL cabossée ou rouillée. Ne jamais raccorder ou débrancher une bouteille de GPL ni déplacer ou modifier les raccordements de gaz alors que le Brûleur Latéral est en marche ou encore chaud.
11. Examiner le tuyau d'alimentation en GPL avant chaque utilisation du Brûleur Latéral. Le tuyau doit rester à l'écart des parties chauffées du Brûleur Latéral. Si le tuyau présente des signes d'abrasion ou d'usure excessive, ou de coupure, il doit être remplacé avant utilisation du Brûleur Latéral. Le tuyau et le détendeur de GPL sont fournis sous forme d'ensemble complet et doivent être remplacés comme tel. Ne pas essayer de réparer ou remplacer le tuyau seul. S'adresser au concessionnaire Hestan pour une pièce de rechange authentique, n° réf. 014309.
12. Maintenir tout cordon d'alimentation électrique à l'écart des parties chauffées du Brûleur Latéral. Le cordon est pourvu d'une fiche de mise à la terre à 3 broches qui ne doit pas être retirée ni modifiée. Ne pas utiliser cet appareil avec un adaptateur à 2 broches sans mise à la terre. Le cordon doit être branché dans une prise protégée par disjoncteur de fuite à la terre. Voir la section INSTALLATION de ce manuel.
13. Les araignées et les insectes aiment nicher dans les brûleurs, venturis, robinets et orifices calibrés, y compris celui d'un Brûleur Latéral, ce qui gêne la circulation du gaz dans le brûleur. Cette situation est très dangereuse et peut provoquer un incendie derrière le panneau de commande, ce qui peut endommager le Brûleur Latéral et faire courir un risque de blessures. Si le Brûleur Latéral n'a pas été utilisé pendant une période prolongée, examiner et nettoyer les brûleurs, venturis, robinets et orifices calibrés. Il est conseillé de contrôler le Brûleur Latéral au moins deux fois par an. Pour plus de détails, voir la section RÉGLAGE DE BRÛLEUR de ce manuel.
14. Maintenir les alentours du Brûleur Latéral libres de matières combustibles, détritiques, ainsi que de liquides et vapeurs combustibles tels que l'essence ou un allume-feu liquide. Ne pas gêner la circulation des gaz de combustion, ni la ventilation (sur le devant).
15. Si le Brûleur Latéral est monté sur un chariot de grill, maintenir l'arrière libre de débris, de bouteilles de GPL de rechange, etc. Ne pas bloquer les ouïes d'aération du chariot.
16. Si le Brûleur Latéral est monté sur un chariot et remis à l'intérieur, s'assurer qu'il a refroidi avant de le déplacer. Si on utilise du propane, la bouteille de GPL doit être débranchée et entreposée À L'EXTÉRIEUR, dans un endroit bien aéré, hors de portée des enfants. Une housse couvrant l'ensemble du grill, y compris le Brûleur Latéral, est recommandée, même en cas de remisage à l'extérieur.
17. Ne jamais déplacer le Brûleur Latéral lorsqu'il est encore chaud. Lorsque le Brûleur Latéral est en marche, certaines de ses parties sont suffisamment chaudes pour causer des brûlures graves.
18. Toujours avoir un extincteur du type « ABC » à portée de la main – ne jamais essayer d'éteindre un feu de graisse avec de l'eau ou d'autres liquides.
19. Éviter de porter des vêtements amples ou à manches longues quand on cuit sur le Brûleur Latéral. Ils pourraient prendre feu. Par souci de sécurité, porter des vêtements appropriés quand on cuit. Certains tissus synthétiques sont hautement inflammables. Ne pas en porter quand on cuit.
20. Ne jamais laisser des manicles, des housses ni d'autres matières inflammables toucher une grille de cuisson, un brûleur ou une surface très chaude ni être à proximité de ces pièces tant que celles-ci n'ont pas refroidi suffisamment. Les tissus peuvent prendre feu, entraînant ainsi des blessures. N'utiliser que des manicles sèches. L'utilisation de manicles mouillées ou humides sur des surfaces très chaudes peut causer des brûlures par la vapeur. Ne pas utiliser une serviette ni un chiffon épais à la place de manicles. Ne pas laisser des manicles toucher les parties très chaudes des grilles de cuisson.
21. Ne jamais toucher les grilles de cuisson ni les surfaces métalliques aux environs immédiats avec les mains nues quand on cuit sur le Brûleur Latéral, car ces zones deviennent très chaudes et pourraient causer des blessures. Utiliser les poignées et boutons prévus à cet effet pour faire fonctionner le Brûleur Latéral.
22. Protéger ses mains en portant un gant de cuisine isolant quand on utilise le Brûleur Latéral. Ne jamais approcher le visage et toujours ouvrir les couvercles de casserole et de poêle lentement pour laisser la chaleur et la vapeur s'échapper avant de les ouvrir en grand. Ne jamais se pencher au-dessus d'un Brûleur Latéral chaud découvert.



## PRÉCAUTIONS À PRENDRE AVANT D'UTILISER CE BRÛLEUR LATÉRAL (suite)

23. Le couvercle métallique du Brûleur Latéral doit être ouvert pendant l'allumage. Le fait de laisser le couvercle en place pendant l'allumage peut entraîner une explosion et des blessures graves, voire mortelles. Ne jamais se pencher au-dessus d'un Brûleur Latéral ni regarder directement dedans quand on essaye de l'allumer. Voir la section INSTRUCTIONS D'ALLUMAGE de ce manuel.
24. Ne pas faire chauffer des boîtes de conserves fermées car la montée en pression provoquera une explosion de la boîte. Ne pas recouvrir de papier d'aluminium les grilles de cuisson ni le bac de récupération. Cela modifiera la circulation d'air vers le gril ou maintiendra prisonnière une chaleur excessive dans la zone des commandes, ce qui peut faire fondre les boutons de réglage, les fils ou les allumeurs et accroître le risque de blessures. De tels dégâts sont explicitement exclus de notre garantie.
25. Ne pas recouvrir de papier d'aluminium la cuvette du brûleur ni le bac de récupération. Cela modifiera la circulation d'air vers le brûleur ou maintiendra prisonnière une chaleur excessive dans la zone des commandes, ce qui peut faire fondre les boutons de réglage, les fils ou les allumeurs et accroître le risque de blessures. De tels dégâts sont explicitement exclus de notre garantie.
26. Ne jamais utiliser le Brûleur Latéral sans que le bac de récupération soit en place et poussé à fond vers l'arrière. En l'absence du bac de récupération, de la graisse ou de l'huile très chaude ayant débordé peut s'échapper vers le bas, créant ainsi un risque d'incendie ou d'explosion.
27. La graisse est extrêmement inflammable. Laisser la graisse chaude refroidir avant d'essayer de la manipuler ou de la jeter. Éviter de laisser trop de graisse se déposer en nettoyant souvent le bac de récupération. Ne jamais le nettoyer quand le Brûleur Latéral est allumé ou encore chaud après avoir récemment fonctionné.
28. Le fait de cuire des viandes très grasses ou abondamment huilées causera des flambées soudaines ou des feux de friture. Les dégâts causés par eux ou par le Brûleur Latéral laissé sans surveillance ne sont pas couverts au titre des modalités de notre garantie.
29. Seuls certains types de verre, la vitrocéramique calorifuge, la terre cuite ou d'autres ustensiles en faïence sont adaptés à l'utilisation sur un Brûleur Latéral. Ces types de matériaux risquent toutefois de se briser en cas de variations brusques de température. Ne les utiliser qu'à des températures basses à moyennes et conformément aux directives de leurs fabricants.
30. Ne pas s'appuyer sur les tablettes latérales ni placer une charge de plus de 25 lbs. (11,3 kg) dessus.
31. Ne réparer ni ne remplacer aucune pièce du Brûleur Latéral, sauf si ce manuel le conseille expressément. Tout autre entretien, qu'il soit dans le cadre de la garantie ou non, doit être confié à un technicien qualifié et effectué par lui.
32. Pour un allumage approprié et un bon rendement des brûleurs, maintenir les orifices de combustion propres. Il est nécessaire de les nettoyer régulièrement pour optimiser le rendement. Les brûleurs ne fonctionnent que dans une seule position et doivent être montés correctement pour fonctionner en toute sécurité. Voir la section RÉGLAGE DE BRÛLEUR de ce manuel.
33. Nettoyer le Brûleur Latéral avec prudence. Éviter les brûlures par la vapeur - ne pas utiliser une éponge ou un chiffon humide pour nettoyer le Brûleur Latéral quand il est encore chaud. Certains nettoyants dégagent des vapeurs nocives ou peuvent s'enflammer au contact d'une surface très chaude. S'assurer que toutes les commandes de Brûleur Latéral sont en position d'arrêt et que l'appareil est froid avant d'utiliser tout type de nettoyant en aérosol sur l'appareil ou à proximité de celui-ci. Le produit chimique qui produit la pulvérisation pourrait, en présence de chaleur, s'enflammer ou causer la corrosion des pièces métalliques. Nettoyer le Brûleur Latéral et procéder à son entretien général deux fois par an. Rechercher tout signe de corrosion, de fêlure ou d'activité des insectes. Voir la section NETTOYAGE ET ENTRETIEN de ce manuel.



## RESPECT DE LA RÉGLEMENTATION ET DES CODES EN VIGUEUR

L'installation de cet appareil de cuisson doit être effectuée conformément aux codes locaux. En l'absence de tels codes, installer cet appareil conformément au National Fuel Gas Code ANSI Z223.1/NFPA 54, au code Natural Gas and Propane Installation CSA B149.1 ou au Propane Storage and Handling Code B149.2. Tous les composants électriques doivent être mis à la terre conformément aux codes locaux ou, en l'absence de tels codes, au National Electrical Code ANSI/NFPA 70 ou au Code national de l'électricité du Canada CSA C22.1.

### COMMUNAUTÉ DE MASSACHUSETTS

Le Massachusetts exige que toutes les installations au gaz soient effectuées par un plombier ou monteur d'installations au gaz titulaire d'une autorisation appropriée délivrée par le Massachusetts. Toutes les installations à demeure fonctionnant au propane ou au gaz naturel exigent la pose d'un robinet manuel de gaz à poignée en T sur la conduite d'alimentation en gaz de l'appareil. Cela ne s'applique pas aux installations portatives au propane utilisant une bouteille de 20 livres (9,1 kg).

### PROPOSITION 65 DE CALIFORNIE – MISE EN GARDE

La combustion de gaz pour cuisson produit des sous-produits toxiques qui figurent sur la liste de substances reconnues en Californie comme causant le cancer ou des malformations congénitales. La législation californienne exige des entreprises concernées qu'elles avertissent leurs clients d'une exposition potentielle à de telles substances. Afin de minimiser une telle exposition, toujours utiliser cet appareil conformément au manuel d'utilisation et d'entretien, en faisant en sorte d'assurer une bonne aération quand on cuisine au gaz. Cet avertissement est émis en vertu de la Section 25249.6 du California Health and Safety Code.

## BOUTEILLES DE GPL PORTATIVES

N'utiliser qu'une bouteille de 20 lbs. (9,1 kg) standard de propane liquéfié (GPL) mesurant 12,25 po (31 cm) de diam. et 18,25 po (47 cm) de haut et pourvue d'un dispositif antidébordement. La bouteille doit être mise en place en position verticale. Ne pas utiliser une bouteille de GPL cabossée ou rouillée car elle pourrait être dangereuse et la faire vérifier par le fournisseur de GPL. Ne jamais utiliser une bouteille dont le robinet est endommagé. Ne jamais déplacer ni modifier les raccordements de gaz. Vérifier également la date d'expiration indiquée sur le collet de la bouteille. Ne pas remplir une bouteille périmée. Elle doit être remplacée. En cas d'achat d'une bouteille de GPL qui a été remplie (échange), vérifier également cette date.

La bouteille de GPL doit être fabriquée et marquée conformément aux spécifications de bouteilles de GPL établies par le ministère américain des transports (DOT). La bouteille doit être pourvue d'un robinet d'arrêt dont la sortie d'alimentation en GPL est spécifiée, le cas échéant, pour les raccordements du type QCC1 dans la norme applicable aux raccordements de sortie et d'entrée de robinet de bouteille de gaz comprimé, ANSI/CGA-V-I.

### AVERTISSEMENT

Il se peut que certains revendeurs de propane liquide remplissent les bouteilles destinées au Brûleur Latéral au-delà de leur capacité. Ce remplissage excessif peut créer une situation dangereuse due à une accumulation excessive de pression. Il est prévu, en tant que dispositif de sécurité, un clapet de surpression qui évacue la vapeur de gaz propane pour dissiper cet excès de pression. Cette vapeur est combustible et peut par conséquent s'enflammer. Pour réduire ce risque, prendre les mesures de sécurité suivantes :

1. Lors du remplissage de la bouteille, veiller à demander au fournisseur de ne pas la remplir à plus de 80% de sa contenance totale.
2. Si on dispose d'une bouteille de secours, ne JAMAIS l'entreposer près ou en dessous du gril/chariot ou de la cuve, ni près d'une source quelconque d'inflammation ou de chaleur (telle qu'un chauffe-eau ou une chaudière).

SI LES DIRECTIVES DONNÉES AUX POINTS 1 ET 2 CI-DESSUS NE SONT PAS APPLIQUÉES À LA LETTRE, UN INCENDIE ENTRAÎNANT DES BLESSURES GRAVES, VOIRE MORTELLES, PEUT SE PRODUIRE.

3. La bouteille de GPL doit être débranchée et entreposée À L'EXTÉRIEUR, dans un endroit bien aéré, hors de portée des enfants.
4. Ne pas entreposer une bouteille pleine en plein soleil.



## IMPLANTATION ET ASSEMBLAGE DU BRÛLEUR LATÉRAL

Lors de la détermination d'un emplacement approprié pour le Brûleur Latéral, tenir compte des préoccupations que représentent l'exposition au vent, la pluie, les arroseurs, la proximité par rapport aux voies de circulation et veiller à maintenir la conduite d'alimentation en gaz aussi courte que possible.

N'implanter le Brûleur Latéral qu'à un endroit bien aéré. Ne jamais l'implanter dans un bâtiment, un garage, un passage couvert, un hangar ni autres espaces clos sans un système d'aération agréé. Ne jamais implanter le Brûleur Latéral au-dessus, en dessous ni à côté d'une construction combustible non protégée.

L'utilisation du Brûleur Latéral dans des endroits venteux peut perturber la flamme, en particulier à feu doux ou quand on fait mijoter. Cela pourrait entraîner une production intempestive d'étincelles par l'allumeur. Le transférer dans un endroit moins venteux. Si le Brûleur Latéral est monté dans une enceinte (île), il peut s'avérer nécessaire de prévoir un coupe-vent pour éviter ce problème à l'avenir.

Lors de l'installation d'un Brûleur Latéral ou d'un autre appareil à gaz dans une enceinte (île), celle-ci doit être construite avec des ouïes d'aération pour éviter une accumulation de gaz en cas de fuite. Pour plus de détails, voir la section INSTALLATION de ce manuel. Maintenir le dessous du Brûleur Latéral libre de débris.

S'assurer que l'ensemble de l'emballage, des bandes de serrage, etc. a été enlevé du Brûleur Latéral. Retirer tous les fils de retenue des brûleurs.

Ce Brûleur Latéral Hestan est prévu pour pouvoir être monté sur le côté d'un chariot de grill si on choisit de le faire (modèle AGB122 uniquement). S'adresser au concessionnaire Hestan pour se procurer le kit de montage approprié. Maintenir le dessous du Brûleur Latéral libre de débris. Si ce Brûleur Latéral est monté sur un chariot, serrer les freins des roulettes pour immobiliser celui-ci.

S'assurer que le chapeau du brûleur est monté correctement sur l'anneau de celui-ci. Ne pas faire fonctionner le Brûleur Latéral si son chapeau n'est pas en place (voir Fig. 1).

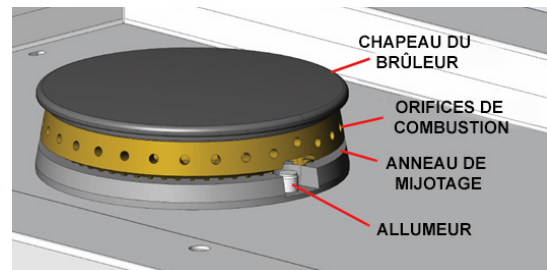


Figure 1



## INSTALLATION

### DÉGAGEMENTS - NON-COMBUSTIBLE:

À UNE CONSTRUCTION NON-COMBUSTIBLE AU DESSUS DE LA SURFACE DE CUISSON

Un dégagement minimum de 4 po (10 cm) entre l'arrière de l'appareil et une construction non-combustible est nécessaire. Voir les diagrammes sur les pages suivantes.

À UNE CONSTRUCTION NON-COMBUSTIBLE AU DESSOUS DE LA SURFACE DE CUISSON

Cet appareil peut être installé directement sur une construction non-combustible. Voir les diagrammes sur les pages suivantes.

### DÉGAGEMENTS - COMBUSTIBLE:

À UNE CONSTRUCTION COMBUSTIBLE AU DESSUS DE LA SURFACE DE CUISSON

Un dégagement minimum de 12 po (30 cm) sur les côtés et à l'arrière de l'appareil et une construction combustible est nécessaire. Lire l'avertissement ci-dessous. Voir les diagrammes sur les pages suivantes.

À UNE CONSTRUCTION COMBUSTIBLE AU DESSOUS DE LA SURFACE DE CUISSON

Cet appareil peut être installé directement sur une construction combustible. Voir les diagrammes sur les pages suivantes.



Le dégagement vertical minimum par rapport aux matériaux combustibles signifie que TOUS ceux-ci doivent être à l'extérieur de cette zone de 12 po (30 cm). En cas, par exemple, d'île à surface carrelée ou en stuc et à armature en bois, ce dernier est considéré comme combustible, même si le Brûleur Latéral touche la surface carrelée ou en stuc, qui ne l'est pas. À l'extrême limite, le bois pourrait devenir suffisamment chaud pour

## INSTALLATION (suite)



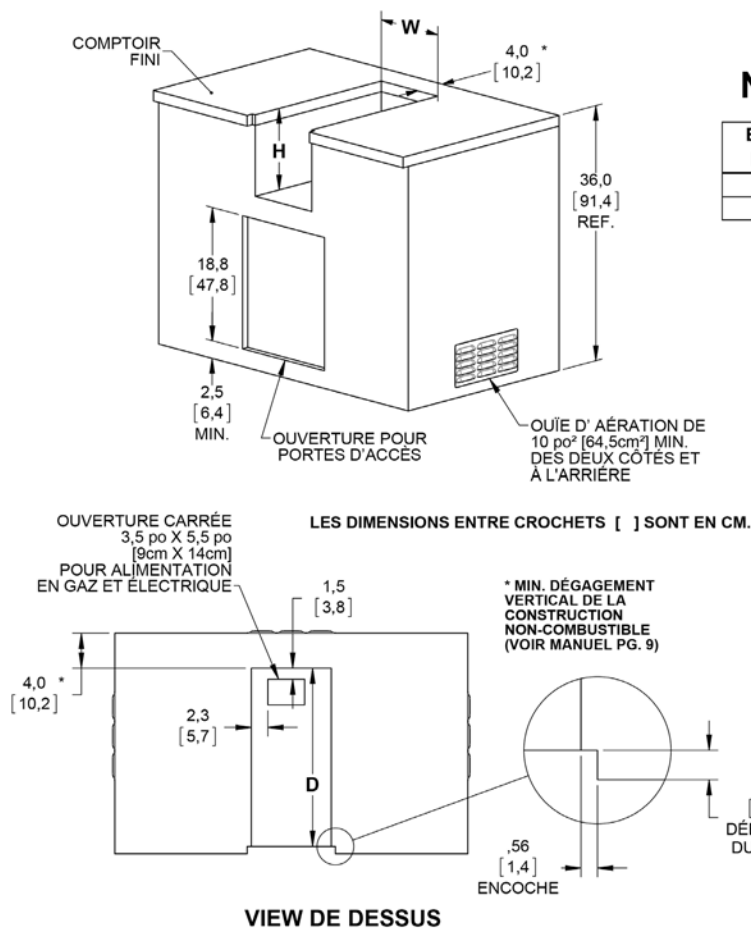
brûler. Des exemples d'autres matériaux combustibles sont le bois comprimé, les fibres végétales (bambou), le vinyle / plastique ou d'autres matériaux susceptibles d'être enflammés et brûlés. Les matériaux ignifuges ou traités avec des produits ignifuges sont toujours considérés comme combustibles.

### OUÏES D'AÉRATION

Au moins trois ouïes d'aération de 10 po<sup>2</sup> (65 cm<sup>2</sup>) doivent être prévues sur les côtés gauche et droit de l'enceinte (île), ainsi qu'à l'arrière. Ces ouïes sont nécessaires pour dissiper les vapeurs de gaz en toute sécurité en cas de fuite dans l'enceinte.

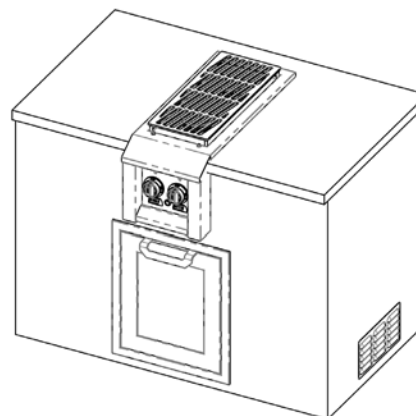
FR

### DIMENSIONS EN CAS D'ENCASTREMENT (NON-COMBUSTIBLE):



### CONFIGURATION POUR ENCEINTE NON-COMBUSTIBLE (ÎLE)

BRÛLEUR LATÉRAL	W		D		H	
	(po)	(cm)	(po)	(cm)	(po)	(cm)
AGB121	11	27,9	13,88	35,3	11,50	29,2
AGB122	11	27,9	24,25	61,6	11,50	29,2

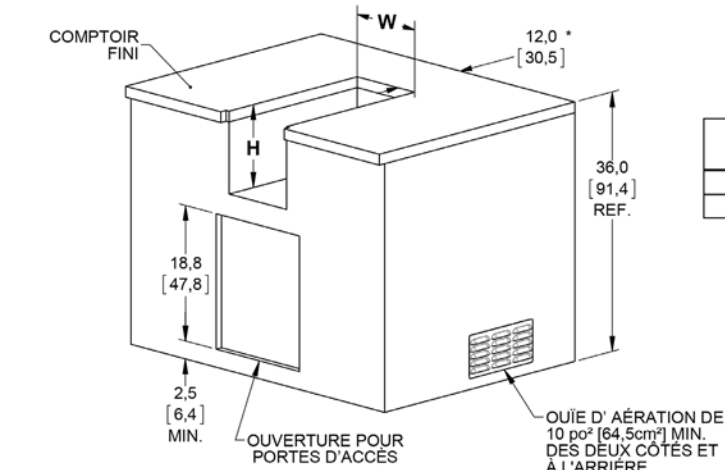


INSTALLATION EN ÎLE TYPIQUE (AGB122 REPRÉSENTÉ)



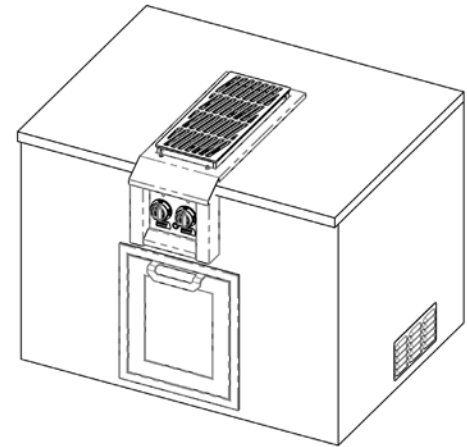
## INSTALLATION (suite)

### DIMENSIONS EN CAS D'ENCASTREMENT (COMBUSTIBLE):

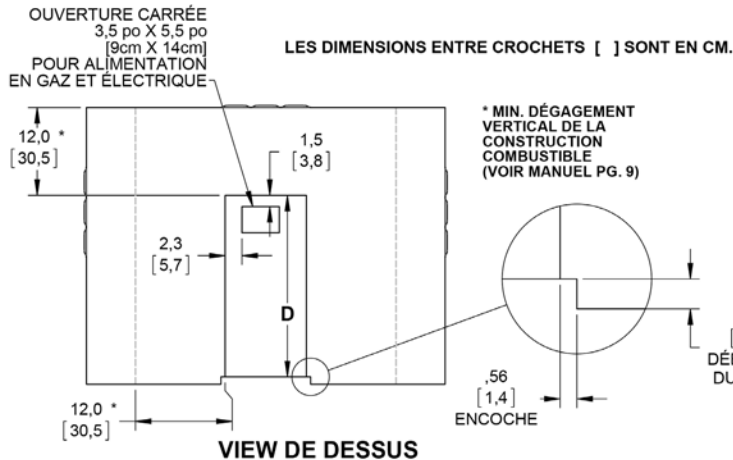


### CONFIGURATION POUR ENCEINTE COMBUSTIBLE (ÎLE)

BRÛLEUR LATÉRAL	W		D		H	
	(po)	(cm)	(po)	(cm)	(po)	(cm)
AGB121	11	27,9	13,88	35,3	11,50	29,2
AGB122	11	27,9	24,25	61,6	11,50	29,2



INSTALLATION EN ÎLE TYPIQUE (AGB122 REPRÉSENTÉ)

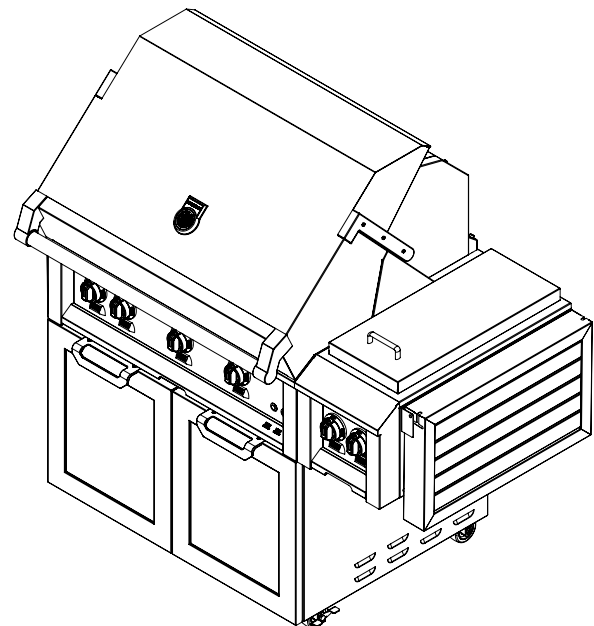


### INSTALLATION ENCASTRÉE

Ce Brûleur Latéral Hestan est prêt à installer dans l'enceinte (île). Passer à la section RACCORDEMENTS DE GAZ pour d'autres instructions.

### INSTALLATION DU BRÛLEUR LATÉRAL SUR LE CHARIOT DU GRIL (MODÈLE AGB122 UNIQUEMENT - DEMANDE UN KIT DE PANNEAUX AGBPK)

Il est possible de monter votre Brûleur Latéral Hestan sur votre chariot. Vous aurez besoin de commander le kit de panneaux AGBPK, disponible auprès du concessionnaire Hestan. Les instructions sont fournies avec le kit.







## ALIMENTATION EN GAZ

Consulter les autorités locales responsables ou le fournisseur lors de la phase de planification de l'installation afin de vérifier qu'un approvisionnement suffisant en gaz (gaz naturel ou GPL) est disponible. S'il s'agit d'une nouvelle installation, demander aux autorités locales responsables ou au fournisseur de vérifier la capacité du compteur et la tuyauterie pour s'assurer que l'appareil reçoit le volume et la pression de gaz dont il a besoin pour fonctionner.

Faire effectuer les raccordements de gaz par un plombier qualifié ou un installateur professionnel d'appareils de cuisson en plein air.

Tous les appareils fixes (non mobiles) doivent être équipés d'un robinet d'arrêt amont de gaz accessible permettant de les isoler pour arrêt d'urgence et entretien.

S'assurer que la tuyauterie et les raccordements nouveaux ont été posés dans des conditions de propreté et purgés de façon à empêcher de la pâte à tuyau, des débris, etc. de boucher les détendeurs, robinets, orifices calibrés ou brûleurs. Utiliser une pâte à tuyau ou pâte d'étanchéité pour raccords filetés homologués pour le gaz naturel et le GPL.

**NE JAMAIS RACCORDER LE BRÛLEUR LATÉRAL À UNE ALIMENTATION EN GAZ SANS DÉTENDEUR.** Avant de procéder à l'installation, s'assurer que l'appareil est adapté au gaz naturel ou au GPL. Le raccordement à une alimentation en gaz incorrect entraînera un rendement médiocre et un risque accru de dégâts matériels ou de blessures. Le type et la consommation (BTU/h) de gaz de chaque type de brûleur sont indiqués sur la plaque signalétique fixée au dessous du bac de récupération.

L'installation de cet appareil de cuisson doit être effectuée conformément aux codes locaux. En l'absence de tels codes, installer cet appareil conformément au National Fuel Gas Code ANSI Z223.1/NFPA 54, au code Natural Gas and Propane Installation CSA B149 ou au Propane Storage and Handling Code B149.2.

**REMARQUE :** voir la plaque signalétique pour la pression d'admission du type de gaz de l'appareil.

## KITS DE CONVERSION

Des kits de conversion sont disponibles auprès du concessionnaire Hestan en cas de besoin de conversion d'un appareil du GPL au gaz naturel, ou vice versa.

## KITS POUR HAUTES ALTITUDES

Si on vit dans une région à haute altitude, c'est-à-dire au moins 2000 pi (610 m) au-dessus du niveau de la mer, le Brûleur Latéral exigera des orifices calibrés différents pour une combustion et un rendement appropriés. Des kits pour hautes altitudes sont disponibles par l'intermédiaire du service clientèle de Hestan. Avoir les numéros de modèle et de série à portée de la main pour téléphoner.

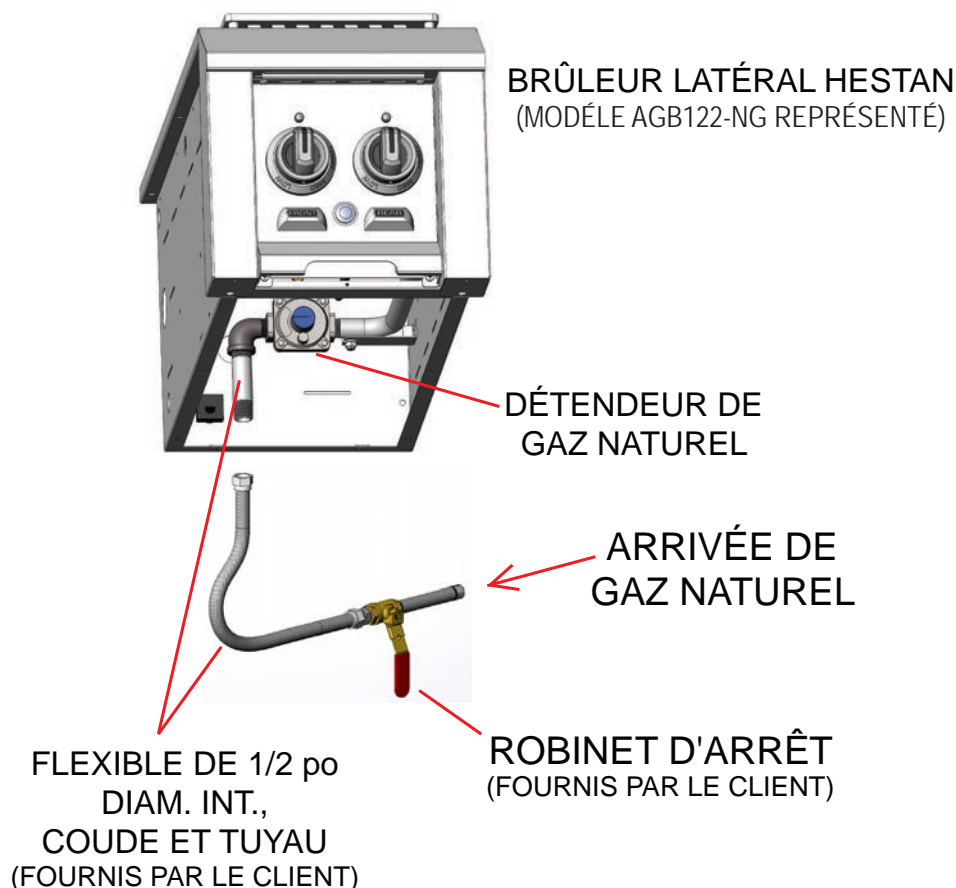


## BRANCHEMENTS POUR LE GAZ ET L'ÉLECTRICITÉ (suite)

### RACCORDEMENT DE GAZ – GAZ NATUREL

**REMARQUE :** Pour faire en sorte que cet appareil chauffe bien, vérifier que la pression dans la conduite d'alimentation en gaz est suffisante. Utiliser uniquement le détendeur de pression de gaz fourni avec cet appareil. Ce détendeur est réglé pour une pression d'alimentation de 7 po à la colonne d'eau (1,74 kPa) pour maintenir une pression d'admission de 4 po à la colonne d'eau (1,00 kPa). Utiliser un flexible d'au moins 1/2 po de diam. int. pour empêcher une insuffisance de gaz. S'assurer que la conduite de branchement alimentant le Brûleur Latéral est pourvue d'un robinet d'arrêt facile d'accès permettant de couper le gaz en cas d'urgence.

FR



Le Brûleur Latéral Hestan fonctionnant au gaz naturel est équipé de son propre détendeur qui DOIT être installé. S'il s'avère nécessaire de remplacer le détendeur, n'utiliser que le type spécifié par Hestan pour cet appareil.

Pour raccorder l'ensemble détendeur / flexible, procéder comme suit :

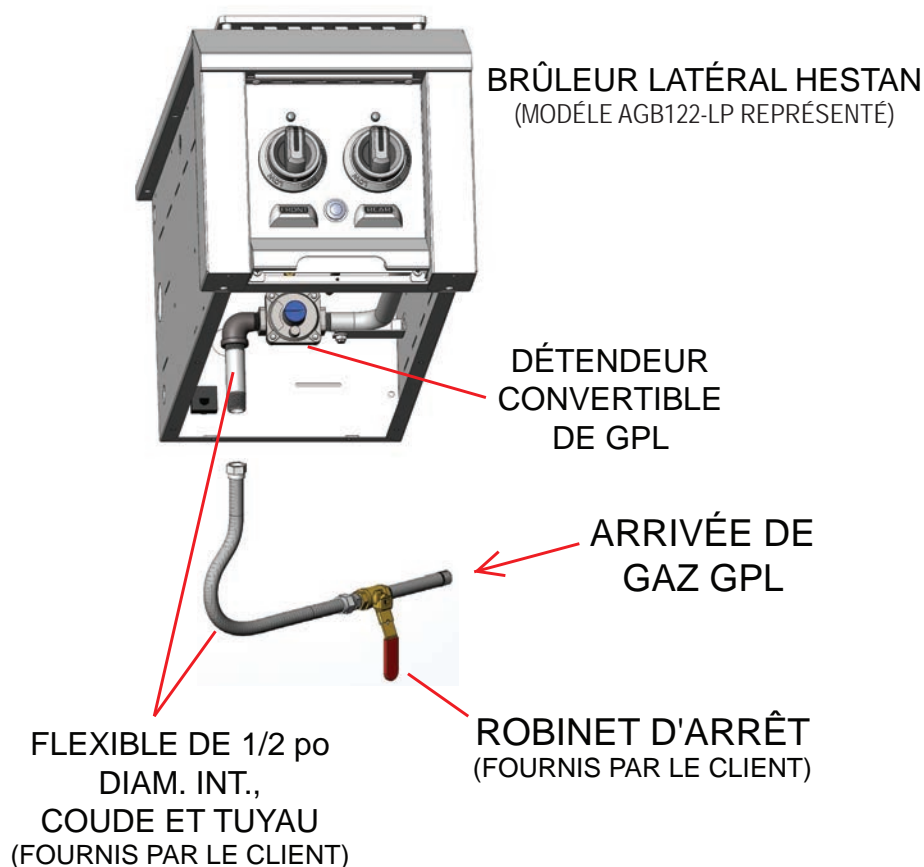
1. Repérer le détendeur monté en dessous du Brûleur Latéral.
2. Raccorder l'alimentation en gaz au moyen d'un tuyau de gaz flexible (semi-rigide) en acier inoxydable d'au moins 1/2 po de diamètre ne dépassant pas 48 po (1,22m) de long. Si on prévoit de raccorder le Brûleur Latéral au grill Hestan, veiller à utiliser les raccords fournis et un flexible aussi court que possible pour le faire. Le tuyau, ainsi que les raccords, doivent être conformes à la norme *Standard for Connectors for Outdoor Gas Appliances and Manufactured Homes, ANSI Z21.75 • CSA 6.27*, et être adaptés à une installation en plein air. Appliquer de la pâte d'étanchéité appropriée sur tous les raccords.
3. Passer à la section CONTRÔLE D'ÉTANCHÉITÉ.



### RACCORDEMENT DE GAZ – SYSTÈMES DE CONDUITES DE GPL

Dans un système de conduites de GPL, un grand réservoir central de GPL alimente l'ensemble d'une habitation. Ces systèmes sont généralement équipés d'un détendeur haute pression qui se trouve à côté du grand réservoir et d'un détendeur basse pression proche de l'habitation. Les raccords des conduites de gaz doivent être conformes à la norme *Standard for Connectors for Outdoor Gas Appliances and Manufactured Homes, ANSI Z21.75 • CSA 6.27*, et être adaptés à une installation en plein air. La longueur du raccordement ne doit pas dépasser 48 po (1,22 m).

**REMARQUE :** Pour faire en sorte que cet appareil chauffe bien, vérifier que la pression dans la conduite d'alimentation en gaz est suffisante. Utiliser uniquement le détendeur de pression de gaz fourni avec cet appareil. Ce détendeur est réglé pour une pression d'alimentation de 11 po à la colonne d'eau (2,74 kPa) pour maintenir une pression d'admission de 10 po à la colonne d'eau (2,49 kPa). Utiliser un flexible d'au moins 1/2 po de diam. int. pour empêcher une insuffisance de gaz. S'assurer que la conduite de branchement alimentant le Brûleur Latéral est pourvue d'un robinet d'arrêt facile d'accès permettant de couper le gaz en cas d'urgence.



Le Brûleur Latéral Hestan fonctionnant un système de conduites de GPL est équipé de son propre détendeur convertible qui DOIT être installé. S'il s'avère nécessaire de remplacer le détendeur, n'utiliser que le type spécifié par Hestan pour cet appareil.

Pour raccorder l'ensemble détendeur / flexible, procéder comme suit :

1. Repérer le détendeur monté en dessous du Brûleur Latéral.
2. Raccorder l'alimentation en gaz au moyen d'un tuyau de gaz flexible (semi-rigide) en acier inoxydable d'au moins 1/2 po de diamètre ne dépassant pas 48 po (1,22m) de long. Si on prévoit de raccorder le Brûleur Latéral au grill Hestan, veiller à utiliser les raccords fournis et un flexible aussi court que possible pour le faire. Le tuyau, ainsi que les raccords, doivent être conformes à la norme *Standard for Connectors for Outdoor Gas Appliances and Manufactured Homes, ANSI Z21.75 • CSA 6.27*, et être adaptés à une installation en plein air. Appliquer de la pâte d'étanchéité appropriée sur tous les raccords.
3. Passer à la section CONTRÔLE D'ÉTANCHÉITÉ.

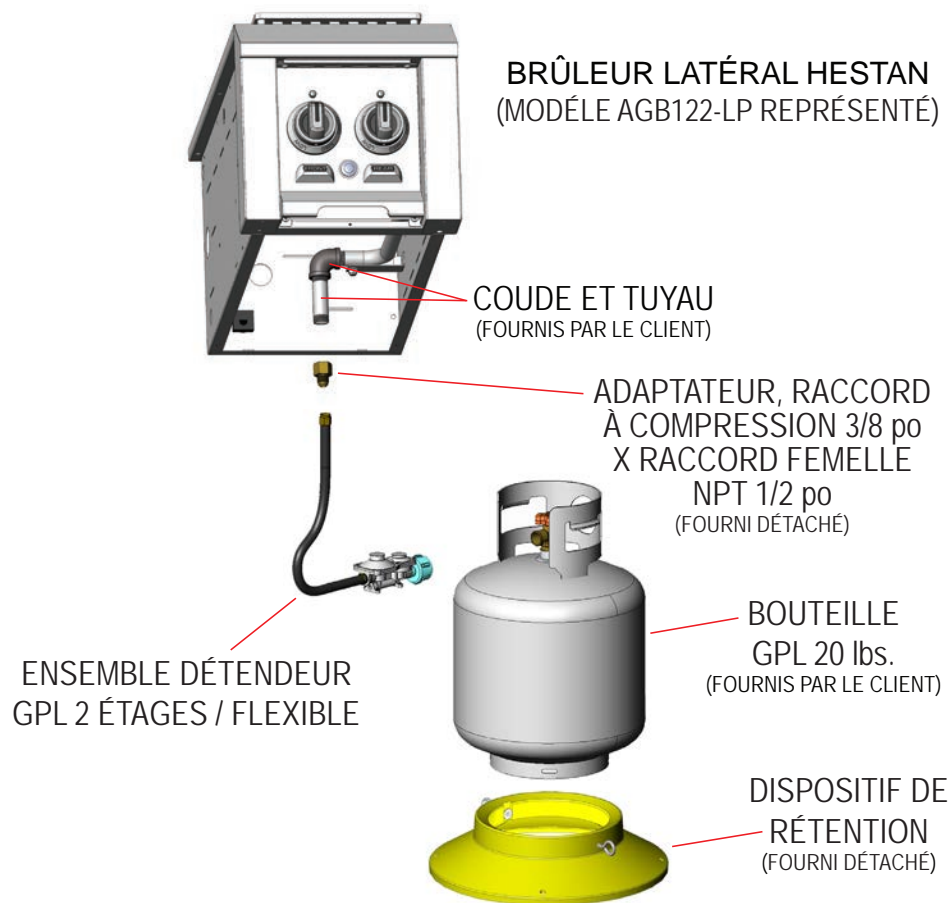


## BRANCHEMENTS POUR LE GAZ ET L'ÉLECTRICITÉ (suite)

### RACCORDEMENT DE GAZ – BOUTEILLE DE PROPANE LIQUIDE (GPL)

Si vous souhaitez connecter votre Brûleur Latéral Hestan à une bouteille de GPL standard de 20 lbs., vous devrez commander le kit AGCKLPT. Ce kit comprend un ensemble détendeur à deux étages / flexible pour le raccordement au bouteille, ainsi qu'un dispositif de rétention de bouteille GPL. Cet ensemble doit être utilisé SANS modification. S'il s'avère nécessaire de remplacer cet ensemble, s'adresser au concessionnaire Hestan pour une pièce de rechange authentique n° réf. 014309.

**REMARQUE :** Pour faire en sorte que cet appareil chauffe bien, vérifier que la pression d'alimentation en gaz est suffisante. Utiliser uniquement le détendeur de pression de gaz fourni avec cet appareil. Ce détendeur est réglé pour maintenir une pression d'admission de 10 po à la colonne d'eau (2,49 kPa).



Pour raccorder l'ensemble détendeur / flexible, procéder comme suit :

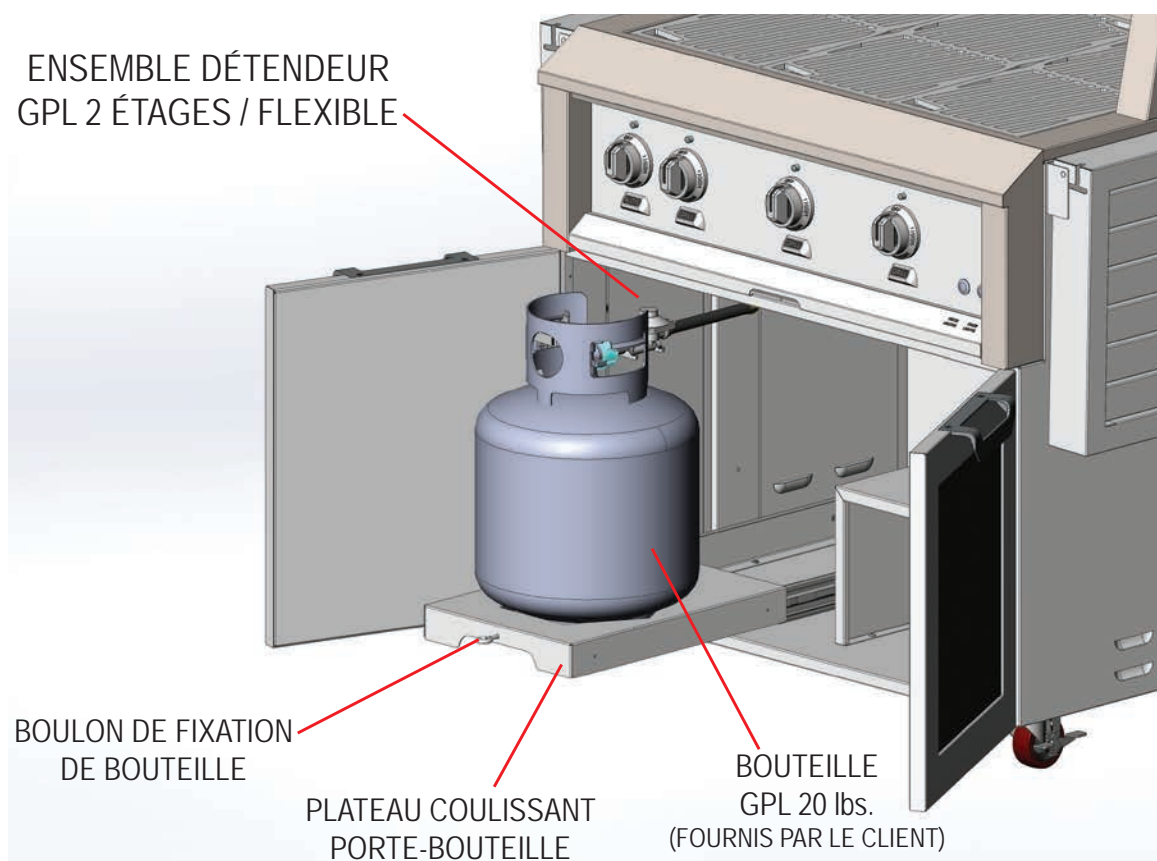
1. Localiser le détendeur et le point de raccordement du gaz dans le côté arrière droit du Brûleur Latéral (sur les modèles montés sur chariot, déposer le panneau arrière pour y accéder).
2. Brancher le raccord de compression de 3/8 po x raccord femelle NPT de 1/2 po comme illustré. Raccordez ensuite l'ensemble détendeur / flexible à l'adaptateur comme indiqué. Utiliser une pâte d'étanchéité approprié sur toutes les connexions.
3. Raccorder l'ensemble détendeur/flexible à une bouteille de GPL standard de 20 lbs. Si on prévoit de raccorder le Brûleur Latéral double au grill Hestan, vous aurez besoin du kit de panneau AGBPK (voir page 10). Assurez-vous d'utiliser les raccords inclus et un tuyau flexible aussi court que possible pour le faire. Le tuyau, ainsi que les raccords, doivent être conformes à la norme *Standard for Connectors for Outdoor Gas Appliances and Manufactured Homes, ANSI Z21.75 • CSA 6.27*, et être adaptés à une installation en plein air. Appliquer de la pâte d'étanchéité appropriée sur tous les raccords.
4. Passer à la section CONTRÔLE D'ÉTANCHÉITÉ.





### RETENUE DE BOUTEILLE DE GPL

Si ce gril Hestan à Brûleur Latéral est monté sur un chariot, veiller à maintenir la bouteille de GPL en l'assujettissant au moyen du boulon de fixation sur le plateau coulissant comme indiqué ci-dessous. Il est important que la bouteille ne bascule pas ou n'étire pas le tuyau, ce qui pourrait causer une fuite de gaz.



FR

### CONTRÔLE D'ÉTANCHÉITÉ

#### GÉNÉRALITÉS

Bien que l'étanchéité de tous les raccordements de gaz de ce Brûleur Latéral Hestan ait été contrôlée à l'usine préalablement à l'expédition, un contrôle complet d'étanchéité doit être effectué sur le lieu d'installation pour tenir compte d'un possible déplacement en cours de transport ou d'une pression excessive exercée par mégarde sur certaines pièces de l'appareil. Contrôler régulièrement l'étanchéité de l'ensemble du système ou le faire immédiatement si on perçoit une odeur de gaz.

#### AVANT LE CONTRÔLE

- Ne pas fumer pendant le contrôle d'étanchéité.
- Ne jamais contrôler l'étanchéité avec une flamme nue.
- Préparer une solution savonneuse consistant en un volume de détergent liquide et un volume d'eau à des fins de contrôle d'étanchéité.
- Appliquer de la solution sur les raccords de gaz à l'aide d'un flacon pulvérisateur ou d'un pinceau.
- Pour les appareils au GPL, toujours effectuer le contrôle alors que leur bouteille est pleine.



### COMMENT EFFECTUER LE CONTRÔLE

- S'assurer que tous les robinets de réglage sont en position « OFF ».
- Appliquer de la solution savonneuse décrite plus haut sur tous les raccords.
- Ouvrir l'arrivée de gaz.
- Contrôler tous les raccordements depuis la conduite d'alimentation ou la bouteille de GPL jusqu'au tuyau collecteur compris et toutes les connexions à chaque brûleur.
- Des bulles de savon se formeront à l'emplacement d'une fuite. En cas de fuite, couper immédiatement l'arrivée de gaz, resserrer tout raccord qui fuit, rouvrir l'arrivée de gaz et recommencer le contrôle.
- S'il s'avère impossible d'arrêter une fuite de gaz, couper l'arrivée de gaz et s'adresser au concessionnaire qui a vendu le Brûleur Latéral.
- Ne pas utiliser le Brûleur Latéral tant que tous les raccordements n'ont pas été contrôlés et qu'ils fuient.

### REMARQUE IMPORTANTE – TOUJOURS CONTRÔLER L'ÉTANCHÉITÉ APRÈS CHAQUE CHANGEMENT DE BOUTEILLE DE GPL.

En cas de fuite ou si le tuyau présente des signes d'abrasion ou d'usure excessive, ou de coupure, il doit être remplacé avant utilisation du Brûleur Latéral. Le tuyau et le détendeur de GPL sont fournis sous forme d'ensemble complet et doivent être remplacés comme tel. Ne pas essayer de réparer ou remplacer le tuyau seul. S'adresser au concessionnaire Hestan pour une pièce de rechange authentique, n° réf. 014309.

Contrôler l'étanchéité de tous les raccords d'alimentation en gaz avant chaque utilisation. Il est pratique de conserver un flacon pulvérisateur d'eau savonneuse près du robinet d'arrêt de la conduite d'alimentation en gaz. Pulvériser sur tous les raccords. Des bulles indiquent des fuites.

### ALIMENTATION ÉLECTRIQUE

**Important :** Cet appareil doit être mis à la terre conformément aux codes locaux ou, en leur absence, au National Electrical Code, ANSI/NFPA 70-1990.



Les appareils pourvus d'un cordon souple d'alimentation sont fournis avec une fiche tripolaire de mise à la terre. Cette fiche doit être impérativement branchée dans une prise tripolaire correctement mise à la terre. Si la prise n'est pas du type à mise à la terre approprié, s'adresser à un électricien. Ne pas enlever la broche de mise à la terre de cette fiche.

Le Brûleur Latéral est conçu pour le courant alternatif de 120 volts et doit être raccordé à un circuit protégé par disjoncteur de fuite à la terre. Ne pas raccorder le Brûleur Latéral à l'alimentation électrique avant d'avoir effectué tous les raccordements de gaz et contrôlé leur étanchéité.

### MAINTENIR TOUT CORDON ÉLECTRIQUE ET TUYAU D'ALIMENTATION EN COMBUSTIBLE À L'ÉCART DE TOUTE SURFACE CHAUFFÉE.

1. Pour se protéger des chocs électriques, ne pas plonger le cordon ni ses fiches dans de l'eau ou un autre liquide.
2. Le débrancher de la prise lorsque l'appareil n'est pas en service et avant le nettoyage. Laisser l'appareil refroidir avant de poser ou de déposer des pièces.
3. Ne pas faire fonctionner un appareil à gaz de cuisson en plein air dont le cordon ou la fiche est endommagé ni après un dysfonctionnement ou endommagement quelconque de l'appareil. S'adresser au fabricant pour la réparation.
4. Ne pas laisser le cordon pendre par-dessus le bord d'une table ni toucher des surfaces très chaudes.
5. Ne pas utiliser un appareil à gaz de cuisson en plein air dans un rôle autre que celui pour lequel il est conçu.
6. N'utiliser qu'un circuit protégé par disjoncteur de fuite à la terre avec cet appareil à gaz de cuisson en plein air



7. Ne jamais retirer la broche de mise à la terre ni utiliser un adaptateur à 2 broches.
8. N'utiliser que des cordons prolongateurs à fiche tripolaire de mise à la terre d'une intensité correspondant à celle de l'alimentation de l'appareil et agréés pour une utilisation en plein air, ce qu'indique la marque « W-A ».

### RÉGLAGES DES BRÛLEURS

Les brûleurs latéraux Hestan sont comparables à de nombreuses tables de cuisson domestiques. Ils n'ont pas de réglage, sauf pour ce qui est des orifices calibrés corrects et de la position de cuisson à feu doux du robinet.

### RÉGLAGE DE LA FLAMME DES BURNERS

Chaque Brûleur Latéral est contrôlé et réglé à l'usine avant l'expédition. Le choix de l'orifice calibré adapté au type de gaz et le réglage du mélange air-combustible (obturateur d'air) ont été effectués au même moment. Toutefois, les variations affectant le gaz distribué localement, l'altitude à laquelle on vit, la conversion d'un type de gaz à un autre et d'autres facteurs pourraient rendre nécessaire un réglage de la flamme des brûleurs.

Contrôler visuellement la flamme des brûleurs et la comparer aux figures qui suivent.



Les flammes doivent être bleues et stables sans pointes jaunes (celles des appareils au GPL auront parfois des pointes jaunes). Il ne doit pas y avoir de bruit excessif ni de « décollage » de la flamme des brûleurs. Si l'une quelconque de ces situations existe, enlever le chapeau du brûleur et rechercher la présence de crasse, de débris, de toiles d'araignées obstruant le trou central de venturi ou les orifices de combustion individuels. L'apparition occasionnelle d'une flamme orange qui disparaît rapidement est généralement due à la combustion d'une petite quantité de poussière ou d'eau de condensation. Cela est normal.

### RÉGLAGES DE ROBINETS

Le robinet de ce Brûleur Latéral Hestan est préréglé à l'usine pour permettre des performances optimales. Toutefois, ce robinet offre également un réglage de flamme pour feu doux (pour faire mijoter) si l'altitude, le rendement à feu doux, la conversion d'un gaz à un autre ou d'autres facteurs indiquent qu'un réglage est nécessaire.



**NE JAMAIS RÉGLER LE BRÛLEUR TELLEMENT BAS QU'IL RISQUE DE S'ÉTEINDRE EN COURS D'UTILISATION. NE PAS FAIRE FONCTIONNER LE BRÛLEUR LATÉRAL SI LA VIS DE FEUX DOUX A ÉTÉ ENLEVÉE. DU GAZ PEUT S'ÉCHAPPER ET CRÉER UNE SITUATION POTENTIELLEMENT DANGEREUSE.**



### ÉTAPES DE RÉGLAGE

1. Retirer les boutons de réglage, le bac de récupération et le panneau de commande de l'appareil.
2. Appliquer les instructions d'allumage en plaçant le bouton de réglage sur « Hi » et laisser le brûleur chauffer pendant 10 minutes.
3. Tourner le bouton de réglage sur « LOW » et attendre que la température du brûleur baisse et se stabilise, ce qui demande 10 minutes environ. Une tentative de réglage dans toute position autre que LOW peut créer une situation dangereuse.
4. Introduire un petit tournevis plat dans la petite vis qui se trouve à gauche de la tige du robinet pour commencer le réglage (voir Fig. 2). La vis n'offre que 2 ou 3 tours complets de réglage. Il se peut qu'après cela la vis continue de tourner mais sort en fait du robinet, ce qui pourrait entraîner une fuite de gaz. NE PAS tourner la vis de plus de 3 tours!
5. La tourner très lentement dans le sens antihoraire pour AUGMENTER la flamme à feux doux. Il faudra quelques secondes à la flamme pour réagir aux réglage effectués.
6. Régler la flamme de façon à ce que tous les orifices de combustion restent complètement allumés, sans tremblement ni extension. Éteindre le brûleur et le rallumer. Vérifier une fois de plus le réglage du feu doux pour s'assurer qu'il est maintenant correct. Remettre le panneau de commande, le bac de récupération et les boutons de réglage en place.

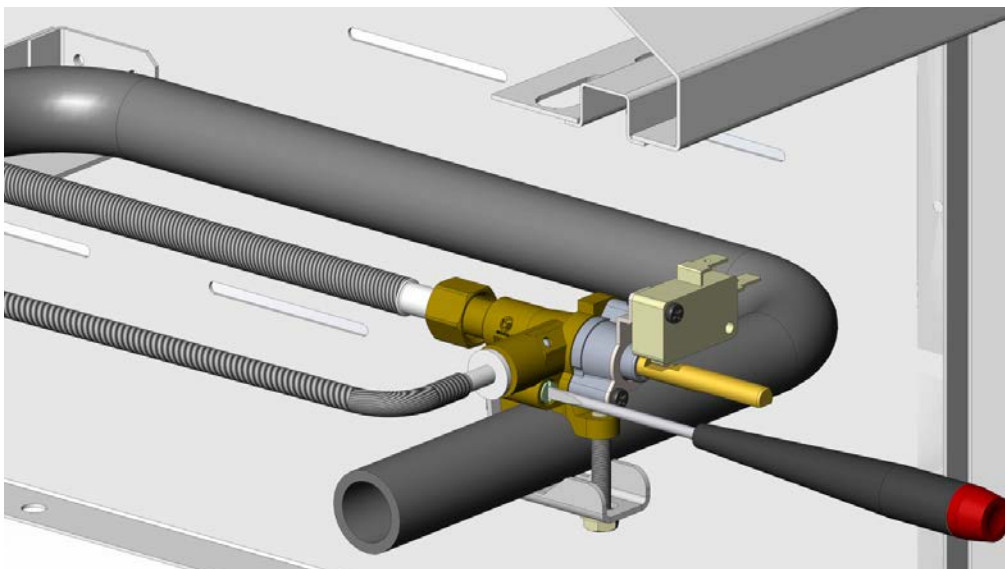


Figure 2



## INSTRUCTIONS D'ALLUMAGE



Hestan brûleurs latéraux sont équipés d'un système d'allumage à étincelles avec détection de flamme qui ranime la flamme si elle s'éteint.

Les brûleurs peuvent tous être allumés manuellement si cela s'avère nécessaire.

### ALLUMAGE DES BRÛLEURS LATÉRAUX


1. Lire le manuel d'utilisation et d'entretien avant d'allumer. Enlever le couvercle lors de l'allumage.
2. S'éloigner autant que possible lors de l'allumage.
3. Appuyer sur le bouton sélectionné et le tourner en position « HIGH ». L'allumeur produit des étincelles jusqu'à ce qu'une flamme soit obtenue.
4. Une fois le brûleur allumé, tourner le bouton à la position correspondant au réglage de flamme désiré. Si aucune étincelle ne se produit, vérifier l'alimentation électrique.
5. Si un brûleur ne s'allume pas en 5 secondes, tourner son bouton sur « OFF » et attendre 5 minutes avant de rallumer.
6. Si un brûleur ne réussit pas à s'allumer, voir le MANUEL D'UTILISATION ET D'ENTRETIEN pour des instructions d'allumage à l'aide d'une allumette.

**Remarque :** le détecteur de flamme de l'allumeur à étincelles déclenchera ce dernier de façon répétée (en produisant un dé clic) jusqu'à ce qu'une flamme s'allume. En cas de production intempestive d'étincelles en cours de fonctionnement normal du brûleur, voir la section DÉPANNAGE de ce manuel.

### INSTRUCTIONS D'ALLUMAGE À L'AIDE D'UNE ALLUMETTE

Si un brûleur ne s'allume pas après plusieurs tentatives, il est possible de l'allumer avec une allumette. Lorsqu'on essaye d'allumer un brûleur à l'aide d'une allumette, veiller à choisir le bouton de réglage correspondant à ce brûleur. Éloigner le visage autant que possible et faire passer l'allumette allumée par les ouvertures des grilles de cuisson puis la placer près des orifices de combustion. Appuyer sur le bouton de réglage et le tourner sur « HIGH » jusqu'à ce que le brûleur s'allume. Répéter cette opération pour chaque brûleur si nécessaire. Si un brûleur ne s'allume pas en 5 secondes, tourner son bouton de réglage sur « OFF » et attendre 5 minutes avant d'essayer de nouveau. Si le brûleur ne s'allume pas après plusieurs tentatives, voir la section DÉPANNAGE de ce manuel.





**NOUS NE CESSERONS  
JAMAIS DE  
RECHERCHER DE  
NOUVELLES FAÇONS  
D'EXPRIMER NOTRE  
CÉLÉBRATION DE  
L'EXCELLENCE  
CULINAIRE.**



## EMPLOI DU BRÛLEUR LATÉRAL



Ce Brûleur Latéral Hestan est un puissant outil de cuisson qui complète le gril Hestan. NE PAS laisser le Brûleur Latéral sans surveillance quand il est allumé.

### CUISSON AVEC DES BRÛLEURS LATÉRAUX

Utiliser ce Brûleur Latéral Hestan comme on le ferait avec n'importe quelle table de cuisson domestique. Choisir la casserole ou poêle adaptée au brûleur. En d'autres termes, ne pas placer une petite casserole sur un grand brûleur. Pour des raisons de sécurité, régler la hauteur de la flamme de façon à ce que celle-ci ne dépasse ou ne lèche pas les côtés de la casserole ou poêle. Sinon, cela entraîne un mauvais chauffage du contenu de la poêle, l'adhésion d'aliments brûlés sur les côtés de celle-ci, un gaspillage de combustible, etc.

FR

## NETTOYAGE ET ENTRETIEN



### ENTRETIEN DE L'ACIER INOXYDABLE

L'acier inoxydable est couramment utilisé dans les appareils des cuisines de restaurants et de résidences à cause de sa robustesse, de sa capacité de résistance à la corrosion et de sa facilité de nettoyage. Ces caractéristiques du métal sont malheureusement tenues pour acquises et on présume qu'aucun problème n'apparaîtra en cours de service. Un certain soin est toutefois nécessaire pour garantir une longue durée de service du gril.

Afin de maintenir l'aspect initial de ce Brûleur Latéral Hestan, il convient de le nettoyer régulièrement en procédant comme suit :

1. Après avoir utilisé le Brûleur Latéral et pris les mesures de sécurité décrites en détail plus haut dans ce manuel, l'essuyer avec un chiffon doux imbibé d'eau savonneuse et le rincer avec de l'eau chaude propre. Cela devrait enlever la plupart des substances produites pendant la cuisson.
2. Pour éliminer les taches tenaces, y compris les dépôts de graisse calcinée et d'origine alimentaire, appliquer une crème nettoyante non abrasive à usages multiples avec un chiffon doux humide. Rincer à l'eau douce comme indiqué plus haut. N'utiliser en aucun cas des tampons à récurer métalliques, sauf s'ils sont en acier inoxydable.
3. Ne pas utiliser d'abrasifs agressifs ni de tampons à récurer métalliques pour nettoyer l'acier inoxydable car ils laisseront des rayures sur la surface et dégraderont l'aspect du Brûleur Latéral. De même, ne pas utiliser des brosses métalliques, des grattoirs ni des tampons à récurer sales.
4. Dans les zones à grain orienté, tout nettoyage effectué avec des abrasifs doit l'être dans le sens du grain, pas dans le sens contraire.
5. Après usage, toujours enlever les articles de nettoyage mouillés (tels que chiffons, tampons, contenants) de la surface pour éviter la formation de marques ou taches d'eau.
6. Si nécessaire, sécher le Brûleur Latéral après s'en être servi avec un chiffon ou serviette doux sec.

Si les consignes qui précèdent sont respectées, ce Brûleur Latéral Hestan devrait offrir une excellente durée de service et ne pas faillir à sa réputation d'être « inoxydable ». Les négliger peut toutefois conduire à une détérioration de la surface et, dans des cas extrêmes, à une corrosion de l'acier lui-même. Les deux types les plus courants de corrosion qui peuvent se rencontrer, sur l'acier inoxydable en particulier, sont les marques de rouille et les piqûres en surface.

### MARQUES DE ROUILLE BRUNE

Ces marques de rouille sont vraisemblablement le résultat de l'adhésion de petites particules d'« acier ordinaire » à la surface, qui ont fini par rouiller en milieu humide. La source la plus courante de telles particules est les tampons à récurer métalliques mais la contamination peut également provenir d'ustensiles en acier au carbone et de vieilles canalisations d'eau en fonte. Ces marques brunes ne sont que des taches superficielles, qui seront inoffensives pour le Brûleur Latéral. Elles doivent pouvoir être enlevées en appliquant une crème nettoyante non abrasive à usages multiples avec un chiffon doux humide. Il peut parfois s'avérer nécessaire de recourir à un nettoyant spécial pour acier inoxydable pour redonner à la surface du Brûleur Latéral l'éclat du neuf. Pour éviter que des taches de rouille ne réapparaissent, il est essentiel d'éliminer la source de la contamination. L'utilisation d'une housse de Brûleur Latéral Hestan contribuera grandement à empêcher ce genre de contamination.



## NETTOYAGE ET ENTRETIEN (suite)

### PIQÛRES DE CORROSION

Une forme plus grave de corrosion est la formation de piqûres en surface. Cette corrosion peut généralement être attribuée à certains produits ménagers tels que l'eau de javel, les produits d'entretien contenant de l'eau de javel (hypochlorite de sodium) et le chlore de piscine. Si les piqûres apparaissent sur la surface d'acier inoxydable, on peut essayer de la polir à l'aide de tampons abrasifs pour acier inoxydable mais, dans la plupart des cas, les piqûres en surface ne peuvent être éliminées.

### PRODUITS ALIMENTAIRES

L'acier inoxydable résiste en général parfaitement à tous les produits alimentaire d'usage courant. Ce n'est que dans des cas isolés, quand par exemple on laisse des mélanges concentrés de sel et de vinaigre au contact de l'acier pendant des périodes prolongées, que des marques peuvent apparaître en surface. Nettoyer la surface conformément aux instructions données plus haut.

### ENTRETIEN DES SURFACES PEINTES (LE CAS ÉCHÉANT)

Les brûleurs latéraux Hestan sont disponibles en standard en acier inoxydable ou offrent également 11 couleurs au choix. Les peintures en poudre résistantes appliquées sur ces panneaux sont communément utilisées sur les pièces automobiles, ainsi que sur les appareils électroménagers à usage commercial et résidentiel à cause de leur excellente résistance à l'écaillage et à divers produits chimiques. Le fini devrait bien résister à l'extérieur dans la plupart des situations. Toutefois, comme pour toute surface peinte, le nettoyage de ce fini doit être effectué avec un soin particulier.

Pour nettoyer la surface à revêtement de peinture en poudre :

1. Éliminer avec précaution tous les dépôts avec une éponge humide.
2. Utiliser une brosse (non abrasive) ou un chiffon doux et une solution de détergent ménager doux pour enlever la poussière, le sel et les autres dépôts. Ne jamais utiliser de nettoyeurs à base de solvants, nettoyeurs pour acier inoxydable, dégraissants puissants, produits à nettoyer les fours, etc. sur les surfaces peintes, car ils peuvent endommager la peinture de façon irréparable.
3. Rincer à l'eau douce propre et sécher avec un chiffon propre.

### ENTRETIEN DES ÉLÉMENTS DU BRÛLEUR LATÉRAL

#### GRILLE DE BRÛLEUR LATÉRAL

Le moyen le plus facile de nettoyer la grille de cuisson est de le faire dès la cuisson terminée après avoir éteint le brûleur. Porter un gant de cuisine pour protéger sa main de la chaleur et de la vapeur. Tremper une brosse à poils de laiton pour nettoyage de gril dans de l'eau savonneuse chaude et frotter la grille de cuisson chaude. Plonger fréquemment la brosse dans l'eau. La vapeur produite lorsque l'eau touche la grille chaude facilite le nettoyage en ramollissant toute particule d'aliment. Le nettoyage sera plus difficile si on laisse d'abord le Brûleur Latéral refroidir.

#### NETTOYAGE DU BRÛLEUR

Un nettoyage du brûleur lui-même ne devrait s'avérer nécessaire qu'en cas de renversement important susceptible d'avoir bouché les orifices de combustion, etc. Lorsque le brûleur a complètement refroidi, enlever son chapeau et éliminer tout débris alimentaire, graisse, etc. avec de l'eau savonneuse chaude. Il est possible d'utiliser une brosse à dents pour frotter les zones difficiles à nettoyer. Essuyer avec un chiffon propre et remonter l'ensemble.

#### ALLUMEURS

Les allumeurs à incandescence de ce gril Hestan n'exigent aucun entretien et sont bien protégés des débris qui tombent dessus. Les allumeurs à étincelles de Brûleur Latéral sont partiellement découverts et peuvent être contaminés en cas de débordement par bouillonnement lors de l'utilisation de ce brûleur. Il est possible de les nettoyer délicatement avec de l'eau savonneuse et une brosse à dents. Les essuyer avec un chiffon propre.

**REMARQUE :** une manipulation brutale de l'allumeur peut entraîner une fêlure du corps céramique l'empêchant de fonctionner. Le manipuler avec précaution.





### AUTRES CONSIDÉRATIONS

Toujours maintenir les alentours du gril et du Brûleur Latéral libres d'obstructions et de débris. Maintenir un espace d'au moins 12 po autour du gril et du Brûleur Latéral pour garantir une bonne circulation d'air et maintenir toutes les ouïes d'aération dégagées et libres de débris. Nettoyer l'appareil après chaque utilisation et rechercher toute obstruction, en particulier des orifices calibrés de brûleurs, après des périodes prolongées d'inutilisation. Pour que ce Brûleur Latéral Hestan conserve son aspect pendant de nombreuses années, le laisser couvert lorsqu'il n'est pas en service. Les environnements de jardin sont agressifs pour le fini de cet appareil. Une explosion prolongée au soleil, à l'eau, aux produits chimiques de jardin et aux éléments pourrait altérer l'aspect de l'acier inoxydable. Cela est particulièrement évident en bord de mer.

Les matériaux utilisés pour nos appareils ont été testés dans des solutions salines présentant une salinité supérieure à celle de l'eau de mer. Ils ont été également testés par une exposition à des aliments très acides. Pendant et après ces tests, nous nous sommes aperçus que ces matériaux pouvaient résister à une telle exposition pendant des périodes prolongées. Les substances corrosives susmentionnées, ainsi que la négligence, peuvent toutefois conduire à une situation dans laquelle ces conditions pourraient se combiner pour causer certains dégâts. Nous recommandons par conséquent de toujours veiller à ce que ce gril reste propre, sec et couvert quand il n'est pas en service. Cela est encore plus important lorsqu'un remisage à long terme est nécessaire. Toujours remiser le gril propre, sec et couvert d'une housse de gril Hestan. Un gril sale attire les insectes et les rongeurs, ce qui n'est pas hygiénique du tout. Les rongeurs sont en outre connus pour mordiller l'isolant des fils, ce qui endommagera définitivement les fils et peut-être les composants électriques.

Dans les régions désertiques, le sable chassé par le vent est extrêmement abrasif et une exposition constante à celui-ci finira par piquer et rayer la surface, ce qui est une autre raison de laisser ce gril couvert quand il n'est pas en service.



## GUIDE DE DÉPANNAGE

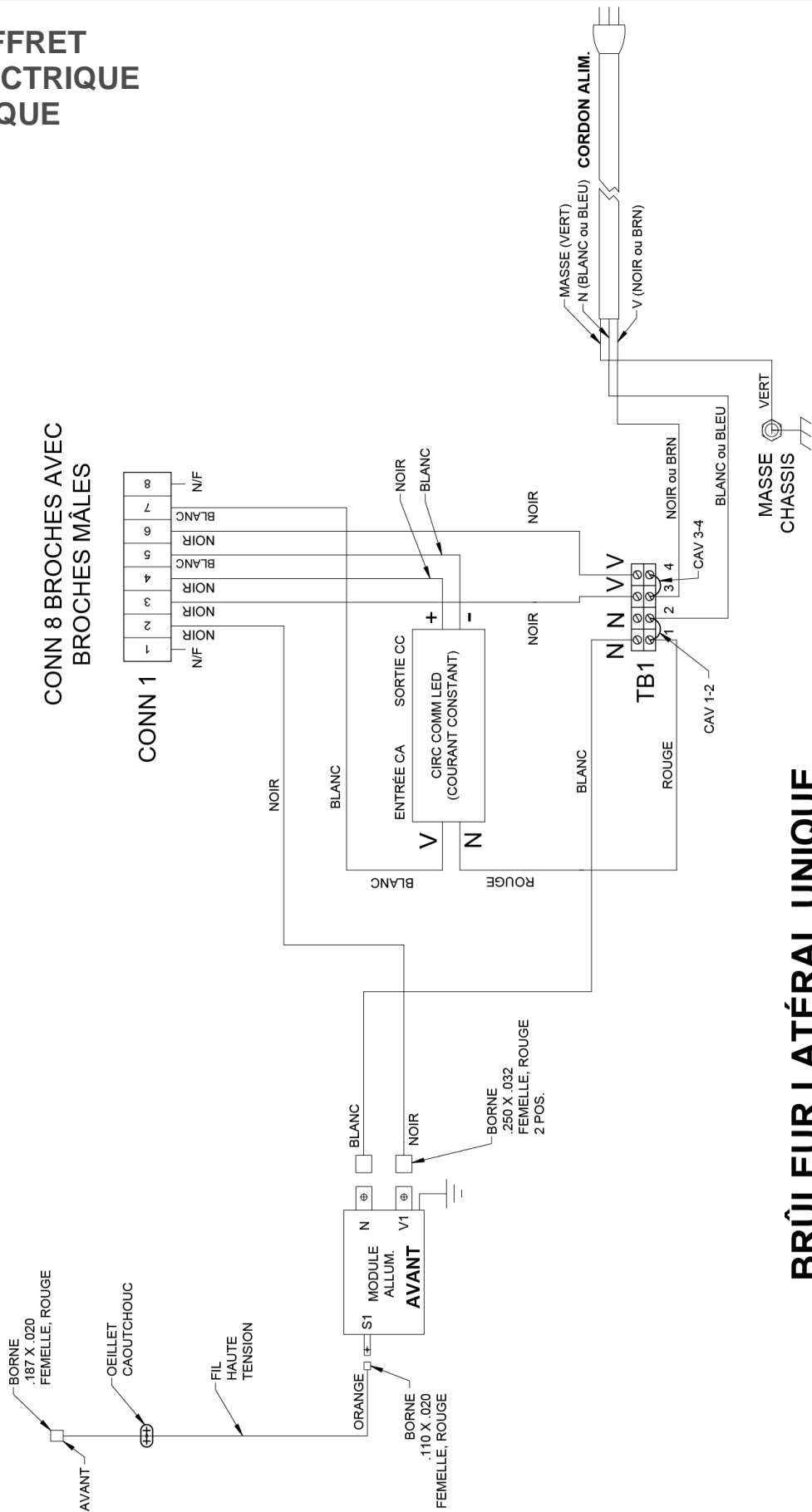
FR

Symptôme	Contrôle
Le brûleur ne s'allume pas	Alimentation en gaz coupée / robinet d'arrêt fermé Bouteille de GPL vide Cordon d'alimentation débranché, prise hors tension ou fusible grillé Pression d'alimentation en gaz de l'appareil trop basse Les orifices de combustion proches de l'allumeur sont obstrués ou encrassés Le brûleur n'est pas bien placé sur l'orifice calibré Robinet de brûleur défectueux ou bouché Orifice calibré incorrect ou bouché Allumeur défectueux (pas d'incandescence) Détendeur défectueux ou mal posé
Le brûleur ne reste pas allumé	Orifices du brûleur obstrués ou encrassés Évent du détendeur bouché ou détendeur mal posé Conditions venteuses Pression de gaz trop basse
Chauffe lente	Pression de gaz trop basse ou bas niveau dans la bouteille de GPL Des orifices de combustion sont obstrués ou encrassés Robinet de brûleur défectueux ou bouché Orifice calibré incorrect ou bouché
Odeur de gaz	Un brûleur s'est éteint ou ne s'est pas allumé Conduite de gaz desserrée ou rompue Rupture du détendeur Le brûleur n'est pas bien placé sur l'orifice calibré Mauvaise combustion, mélange air-combustible mal réglé Orifices de brûleur obstrués/encrassés
Le brûleur fonctionne mal / flamme faible ou jaune	Les orifices de combustion sont obstrués ou encrassés ; rechercher la présence de toiles d'araignées Mauvaise combustion, mélange air-combustible mal réglé Pression de gaz incorrecte / détendeur incorrect Orifice calibré d'une taille incorrecte pour le type de gaz
Les témoins LED du panneau de commande ne fonctionnent pas	Cordon d'alimentation débranché ou prise hors tension Vérifier les fusibles sur le coffret électrique.
Émission intempestive d'un dé clic par le Brûleur Latéral	Conditions venteuses Flamme trop basse Débris alimentaires sur l'électrode

# SCHÉMAS DE CÂBLAGE



## COFFRET ÉLECTRIQUE UNIQUE



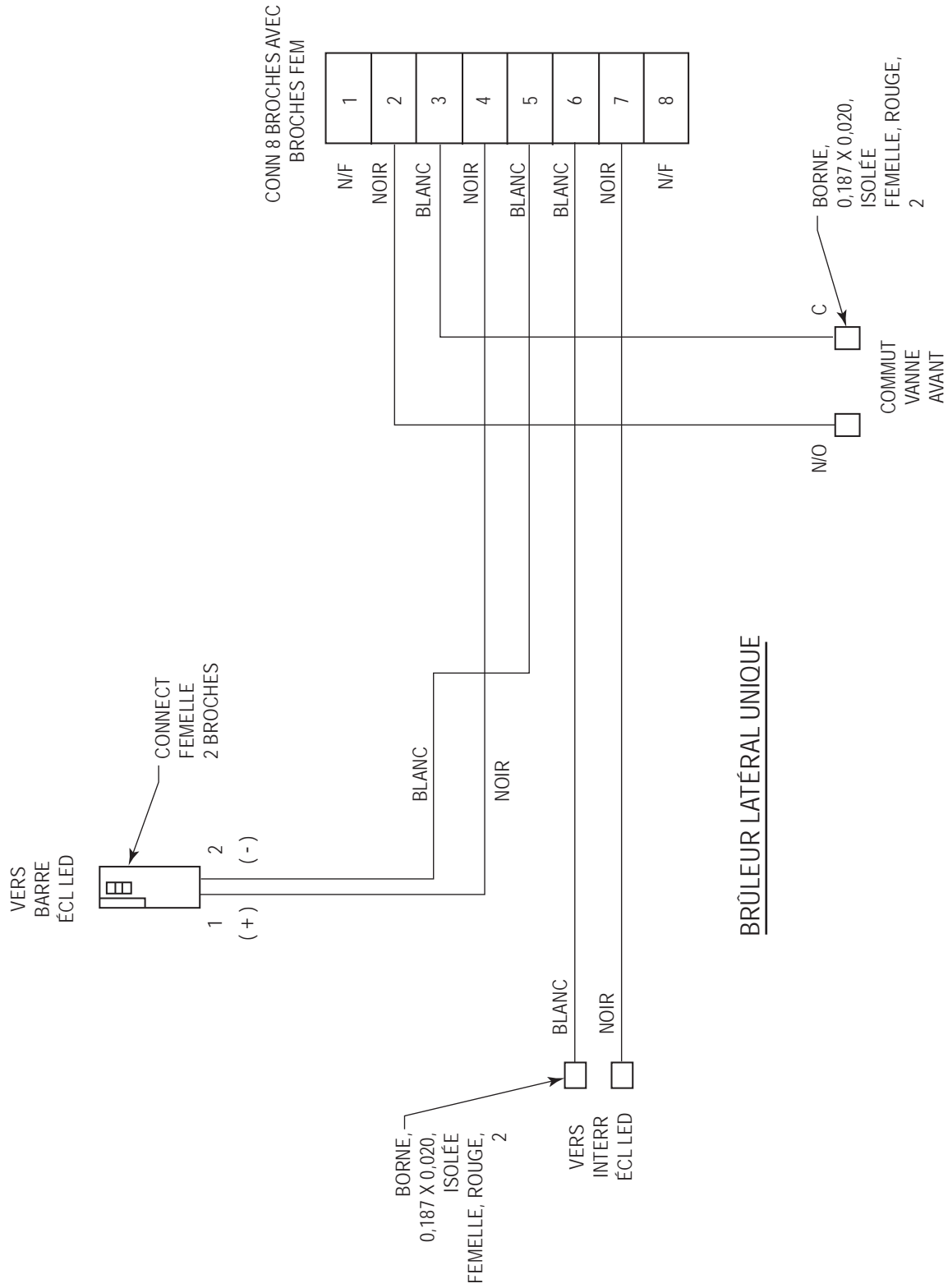
## BRÛLEUR LATÉRAL UNIQUE



# SCHÉMAS DE CÂBLAGE (suite)

## FAISCEAU DE FILS UNIQUE

FR



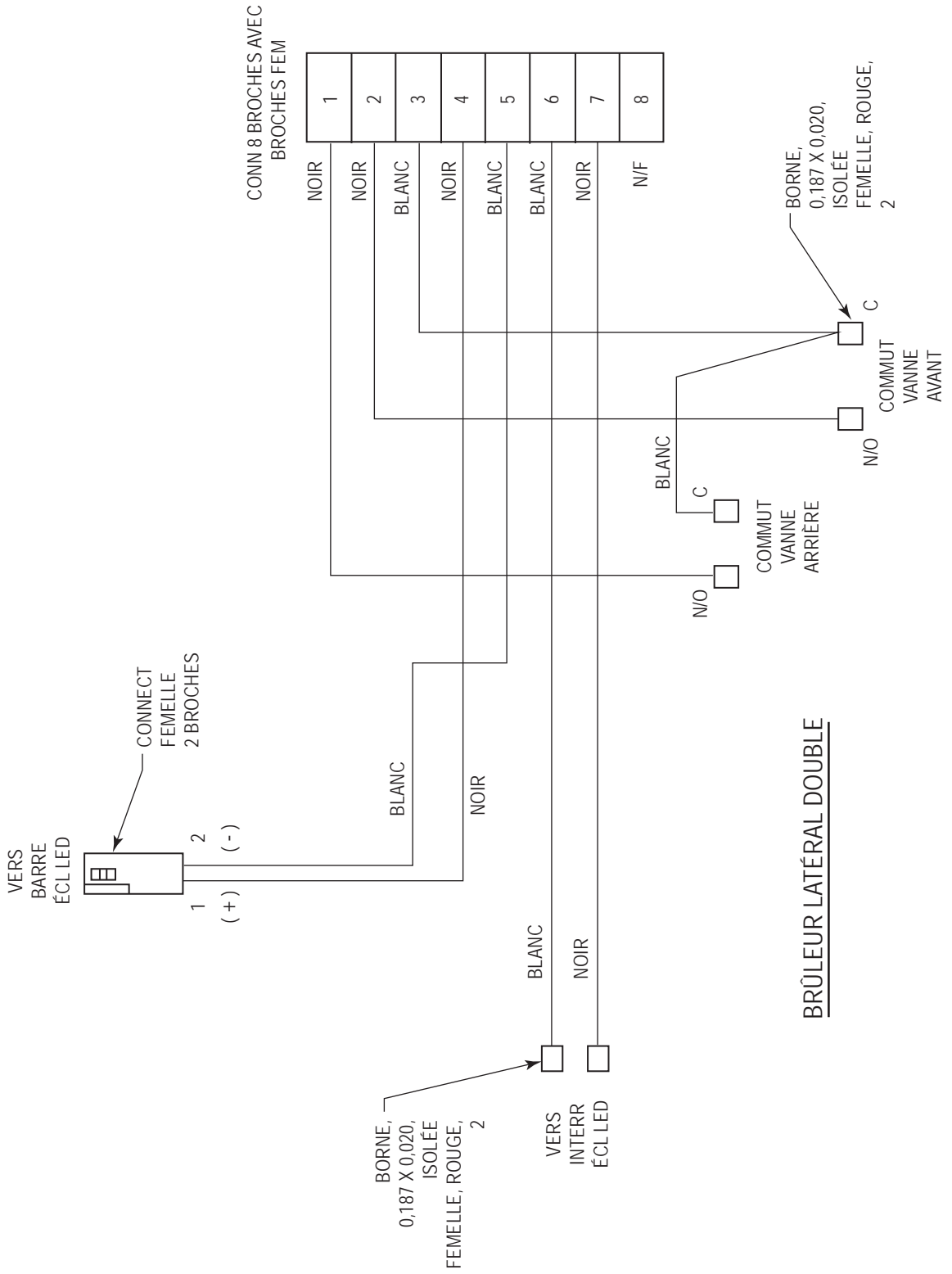






# SCHÉMAS DE CÂBLAGE (suite)

## FAISCEAU DE FILS DOUBLE



## LISTE DES PIÈCES



Visiter le site Web Hestan pour consulter la liste des pièces de ce produit de plein air Hestan : [www.hestanhome.com](http://www.hestanhome.com).

## SERVICE



Toutes les réparations dans le cadre ou en dehors de la garantie doivent être effectuées par du personnel d'entretien qualifié. Pour localiser un réparateur agréé dans la région, s'adresser au concessionnaire Hestan, au représentant local ou à l'usine. Avant d'appeler, veiller à avoir les numéros de modèle et de série à portée de la main. Cette information est indiquée sur la plaque signalétique située sur la paroi arrière intérieure de l'appareil, derrière le panneau de commande.

Hestan Commercial Corporation  
3375 E. La Palma Avenue  
Anaheim, CA 92806  
(888) 905-7463

## GARANTIE LIMITÉE



### ÉLÉMENTS COUVERTS PAR LA PRÉSENTE GARANTIE LIMITÉE

Hestan Commercial Corporation (« HCC ») garantit à l'acheteur initial d'un appareil à gaz de plein air Hestan (le « Produit ») chez un revendeur agréé HCC que le Produit ne présente aucun vice de matière ni de fabrication pendant une période d'un (1) an à compter de la date de l'achat initial au détail ou de la date de clôture en cas de construction neuve, suivant la période la plus longue (« Période de garantie limitée »). HCC accepte de réparer ou de remplacer, à sa seule discrétion, tout composant ou pièce du Produit dont la défaillance est due à des vices de matières ou de fabrication pendant la Période de garantie limitée. La présente Garantie limitée n'est pas transférable et n'est offerte à personne d'autre que l'acheteur initial au détail (« Acheteur »). La présente garantie limitée n'est valable que pour les Produits achetés chez et reçus d'un revendeur agréé HCC dans tous les Etats-Unis, dans le District de Columbia et au Canada. La présente Garantie limitée ne s'applique qu'aux Produits pour usage non commercial, à l'exclusion de ceux utilisés à des fins commerciales.

### MARCHE À SUIVRE POUR UNE RÉPARATION AU TITRE DE LA GARANTIE

En cas de défaillance du Produit pendant la Période de garantie limitée pour des raisons couvertes par la présente Garantie limitée, l'Acheteur doit contacter immédiatement le revendeur auquel il a acheté le Produit ou HCC au 888.905.7463.

Il incombe à l'Acheteur de rendre le Produit raisonnablement accessible pour réparation ou de régler les frais de mise à disposition raisonnable du Produit pour réparation. La réparation sera effectuée pendant les heures d'ouverture normales du Centre de réparation agréé par Hestan. Dans la mesure où l'Acheteur demande une réparation en dehors des heures d'ouverture normales du Centre de réparation agréé par Hestan, l'Acheteur règlera la différence entre le tarif normal et celui des heures supplémentaires ou des primes. L'Acheteur doit régler tous les frais de déplacement si celui-ci dépasse 80 km [50 miles] (dans un sens) par rapport au Centre de réparation le plus proche agréé par Hestan.

*(Suite à la page suivante)*



## GARANTIE LIMITÉE (suite)

### ALLONGEMENTS AU-DELÀ DE LA PÉRIODE DE GARANTIE LIMITÉE D'UN AN:

En plus de la Garantie limitée d'un an, les composants qui suivent bénéficient d'un prolongement de la garantie comme indiqué expressément ci-après :

1. Le corps de gril en acier inoxydable, les grilles de cuisson et celle de maintien au chaud DiamondCut, les brûleurs Trellis Burner en acier inoxydable de gril, les brûleurs de saisie et le brûleur à infrarouge de tournebroche (le cas échéant) du Produit sont garantis exempts de vices de matières et de fabrication dans des conditions normales d'utilisation non commerciale et de réparation. Cela exclut la corrosion, la rayure et la décoloration superficielles susceptibles de se produire pendant une utilisation normale et se limite au remplacement de la ou des pièces défectueuses, tous les autres frais, y compris ceux de main d'œuvre, de transport et de manutention le cas échéant, étant à la charge de l'Acheteur.
2. La broche, les plateaux à briquettes, les collecteurs, les robinets de gaz et les brûleurs scellés (le cas échéant) du Produit sont garantis exempts de vices de matières et de fabrication dans des conditions normales d'utilisation non commerciale et de réparation pendant une période de cinq (5) ans à compter de la date de l'achat initial. Cela se limite au remplacement des pièces défectueuses, tous les autres frais, y compris ceux de main d'œuvre, de transport et de manutention le cas échéant, étant à la charge de l'Acheteur.

### ÉLÉMENTS NON COUVERTS PAR LA PRÉSENTE GARANTIE LIMITÉE

La présente Garantie limitée ne couvre pas ce qui suit, excluant toute responsabilité financière de HCC : tous dommages ou vices affectant tout Produit non acheté chez un revendeur agréé HCC ; variations de coloris dans la finition ou autres dommages esthétiques ; panne ou dommages dus à une utilisation abusive ou erronée, un accident, un incendie, une catastrophe naturelle, un usage commercial du Produit, une interruption de l'alimentation électrique ou en gaz du Produit ; dommages résultant d'une modification, d'une installation ou utilisation incorrecte du Produit ; dommages résultant de la réparation ou du remplacement incorrect ou sans autorisation de tout composant ou pièce du Produit ; dommages résultant d'un service après vente assuré par quiconque autre qu'un agent ou représentant agréé du réseau commercial de Hestan ; usure normale et détérioration ; dommages résultant de l'exposition du Produit à une atmosphère corrosive contenant du chlore, du fluor ou toute autre substance chimique nuisible ; dommages résultant de l'absence d'un entretien normal du Produit ; dommages dont HCC n'a pas été avisé ou qui se sont produits après expiration de la Période de garantie limitée ; dommages accessoires et indirects causés par tout vice de matière ou de fabrication.

### ARBITRAGE :

La présente Garantie limitée est régie par la Loi fédérale sur l'arbitrage. Tout litige opposant l'Acheteur à HCC et relatif au Produit ou à la présente Garantie limitée doit être résolu par voie d'arbitrage exécutoire exclusivement sur une base individuelle avec l'Acheteur. L'arbitrage sera effectué par l'Association américaine d'arbitrage (American Arbitration Association, « AAA ») conformément à ses règles d'arbitrage pour la protection du consommateur ou par JAMS. L'audience d'arbitrage se tiendra devant un arbitre nommé par l'AAA ou par JAMS. L'arbitre ne devra procéder à aucun arbitrage collectif et l'Acheteur devra renoncer à tout recours contre HCC en qualité de représentant de tiers.

### LIMITATION DE RESPONSABILITÉ :

La présente Garantie limitée constitue l'accord définitif, intégral et exclusif entre HCC et l'Acheteur eu égard au Produit.

IL N'EXISTE AUCUNE GARANTIE EXPRESSE AUTRE QUE CELLES ÉNUMÉRÉES ET DÉCRITES PLUS HAUT. AUCUNE GARANTIE EXPRESSE OU IMPLICITE, Y COMPRIS SANS S'Y LIMITER, TOUTE GARANTIE IMPLICITE DE QUALITÉ MARCHANDE OU D'ADAPTATION À UN USAGE PARTICULIER NE S'APPLIQUERA APRÈS L'EXPIRATION DE LA PÉRIODE DE GARANTIE LIMITÉE INDIQUÉE PLUS HAUT. AUCUNE GARANTIE EXPRESSE APPLICABLE À CE PRODUIT OFFERTE PAR UNE PERSONNE OU ENTREPRISE QUELCONQUE N'ENGAGERA HCC. HCC NE GARANTIT EN AUCUNE FAÇON L'ADAPTATION DU PRODUIT À UN USAGE PARTICULIER, SAUF DISPOSITION CONTRAIRE DE LA LÉGISLATION APPLICABLE.

## GARANTIE LIMITÉE (suite)



HCC N'ASSUME AUCUNE RESPONSABILITÉ POUR TOUT MANQUE À GAGNER, IMPOSSIBILITÉ DE RÉALISER DES ÉCONOMIES OU AUTRES AVANTAGES NI POUR TOUT AUTRE DOMMAGE PARTICULIER, DIRECT OU INDIRECT CAUSÉ PAR L'UTILISATION, L'USAGE ABUSIF OU L'INCAPACITÉ D'UTILISER CE PRODUIT, QUELLE QUE SOIT LA THÉORIE JURIDIQUE SUR LAQUELLE LA DEMANDE SE FONDE, MÊME SI HCC EST INFORMÉ DE LA POSSIBILITÉ DE TELS DOMMAGES. AUCUN RECOUVREMENT À L'ENCONTRE DE HCC NE SERA SUPÉRIEUR AU PRIX D'ACHAT DU PRODUIT.

SANS LIMITER LA PORTÉE DE CE QUI PRÉCÈDE, VOUS ASSUMEZ TOUS LES RISQUES ET LA RESPONSABILITÉ DES PERTES, DOMMAGES OU BLESSURES ET DÉGÂTS MATÉRIELS SUBIS PAR VOUS-MÊMES ET DES TIERS RÉSULTANT DE L'UTILISATION, DE L'USAGE ABUSIF OU DE L'INCAPACITÉ D'UTILISER CE PRODUIT, QUI NE SONT PAS CAUSÉS DIRECTEMENT PAR LA NÉGLIGENCE DE HCC. LA PRÉSENTE GARANTIE LIMITÉE FORMULE VOTRE RECOURS EXCLUSIF.

Aucune déclaration ni aucun engagement verbal ou écrit de la part de qui que ce soit, y compris sans s'y limiter un employé, représentant ou agent de HCC, ne créera une garantie ni élargira en quoi que ce soit la portée de la présente Garantie limitée expresse d'un an. En cas de divergence entre la présente garantie limitée et tout autre accord ou déclaration lié ou relatif au Produit, ce sera cette Garantie qui s'applique. Si une disposition quelconque de la présente Garantie limitée est déclarée invalide ou inapplicable, elle sera réputée modifiée dans la limite nécessaire pour la rendre applicable et le reste de la Garantie limitée restera valide et applicable selon ses modalités.

### **INTERACTION ENTRE CERTAINES LOIS ET LA PRÉSENTE GARANTIE LIMITÉE :**

Il se peut que certains États, Provinces et Territoires n'autorisent pas la limitation de durée d'une garantie implicite ni l'exclusion ou la restriction des dommages directs ou indirects. Les limitations ou exclusions qui précèdent peuvent par conséquent ne pas être applicables. Il se peut que certains États, Provinces ou Territoires prévoient d'autres droits et recours en matière de garantie. Les dispositions de la présente Garantie limitée n'ont pas pour but de limiter, modifier, restreindre, nier ni exclure les conditions obligatoires de garantie prévues par des États, Provinces ou Territoires, y compris certaines garanties implicites. La présente garantie confère des droits précis, auxquels peuvent s'en ajouter d'autres qui varient selon le lieu.

Toute question relative à la présente Garantie limitée peut être adressée à  
Hestan Commercial Corporation au (888) 905-7463



**RETAIN THIS MANUAL FOR FUTURE REFERENCE**  
**CONSERVEZ CE MANUEL POUR UNE RÉFÉRENCE FUTURE**



Hestan Commercial Corporation

3375 E. La Palma Ave.  
Anaheim, CA 92806  
(888) 905-7463