



OUTDOOR COOKING

 HESTAN



GRILLING IS A PERFECTIONIST'S PURSUIT. YOUR GUESTS RAVE. BUT YOU KNOW JUST THE TRICK TO MAKE IT EVEN BETTER NEXT TIME. A DASH MORE OF THIS. A PINCH LESS OF THAT. SOAK THE MESQUITE CHIPS OVERNIGHT IN WHISKEY. NO, MAKE THAT BOURBON.

HESTAN OUTDOOR WAS BORN FROM THIS SAME PERFECTIONIST PASSION. OUR ENGINEERS EXPERIMENTED, INNOVATED, TWEAKED AND TINKERED UNTIL THEY CREATED THE MOST POWERFUL, VERSATILE AND RELIABLE GRILL AVAILABLE. THE ONLY DRAWBACK WITH THIS LEVEL OF PERFORMANCE IS YOU CAN'T BLAME ANYTHING ON THE GRILL. RISE TO THE CHALLENGE.

GRILLS





36" Grill



30", 36" or 42" Grills on Tower Cart with optional Side Burner with Double Drawers/Door

CERAMIC INFRARED TOP BURNER delivers 12,000 to 18,000 BTUs, perfect for rotisserie, searing, broiling or finishing.



30", 36" or 42" Grills on Tower Cart with Double Doors

Grilling is a personal obsession. So Hestan Outdoor offers options for every grill-master (and architect). Built-in. Freestanding. Carts. They're all made in the USA from superior-grade stainless steel and include incomparable features like our whisper-quiet rotisserie, infrared rotisserie burner, flip-to-clean ceramic briquettes and signature DiamondCut™ Grates. The spring-assisted Horizon Hood™ opens easily and holds at your desired height. Motion-activated Stadium Lights® under-hood halogen lighting helps you keep an eye on everything. And the powerful Trellis Burner™ system delivers both precision control and even heat coverage.



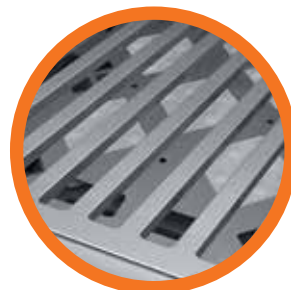
All Hestan grills available in 12 signature colors.



36" or 42" Freestanding Deluxe Grills with Double Side Burners

5/16" STAINLESS STEEL DIAMONDCUT™ GRATES

are laser cut in-house to ensure even heat distribution, durability and easy cleaning.



Large capacity storage drawer conveniently conceals propane tank.



42" Grill on Tower Cart shown here in Prince.



“EXECUTION SHOULD ALWAYS EXCEED EXPECTATIONS.”

Grilling is a serious culinary endeavor. Brines. Marinades. Precision. Heat. Hestan delivers the consistent control vital to perfecting everything from shrimp skewers to leg of lamb. It’s American-made durability that weathers year-round use.

Chef Thomas Keller

REFRIGERATION





15" Ice Machine



24" Beer Dispenser Single Faucet



24" Beer Dispenser Double Faucet

Grilling means more than sharing food. It's about sharing the moment. As the smoke wafts, smiles get bigger, stories get longer and your friends get thirsty. From refrigerated drawers and ice machines to beer taps and wine storage, Hestan Outdoor keeps your ingredients fresh and your guests refreshed. Refrigerators and refrigerated drawers keep burgers or beverages handy. The wine refrigerator protects your wine from the elements with temperature zones for your reds and whites. And the ice machine produces up to 55 pounds of crystal-clear ice every 24 hours. So you're always prepared for a couple dozen friends to drop by.

LOW E, UV-COATED GLASS protects wine from sunlight, while the rack design protects from vibration.



24" Dual Zone Solid Door Refrigerator with Wine Storage



24" Dual Zone Glass Door Refrigerator with Wine Storage



24" Refrigerated Drawers / 24" Refrigerated Drawer and Freezer Drawer



Refrigerators, Beer Dispensers and Drawers available in 12 signature colors.

24" Solid Door Refrigerator (Also available with glass door)

UNDERCOUNTER REFRIGERATORS, REFRIGERATOR DRAWERS AND FREEZER DRAWERS

deliver convenient cold storage.



VENTILATION, STORAGE & CLEANUP



OUTDOOR VENTILATION

ensures the fresh air stays fresh.



42", 48" or 54" Outdoor Hoods



30" or 36" Single Storage Drawers



Paper Towel Dispenser

We believe the outdoor kitchen should offer all the convenience of the great indoors. So we've outfitted the Hestan Outdoor lineup with helpful details to keep everything clean and organized. Storage drawers, access doors and a sealed pantry keep your secret ingredients close at hand and safe from the elements (or animals), while trash chutes and recycle centers keep the party tidy. And outdoor vent hoods clear the air in your covered patio.

**SEALED PANTRY
KEEPS ALL YOUR
SPICES AND
CONDIMENTS SAFE
AND HANDY.**



20" Trash and Recycle Storage Drawer



Countertop Trash Chute



18" or 24" Single Access Doors



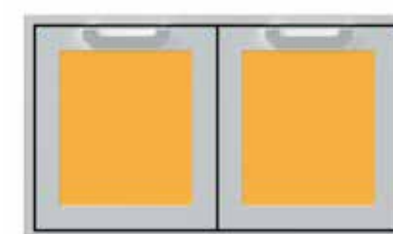
30", 36" or 42" Double Access Doors



16" Double Drawers



30", 36" or 42" Double Drawers and Storage Door Combination



30", 36" or 42" Double Storage Doors



36" Double Sealed Pantry Storage Doors

All Doors, Drawers, Hoods and Paper Towel Dispenser available in 12 signature colors.

ACCESSORIES



24" Power Burner



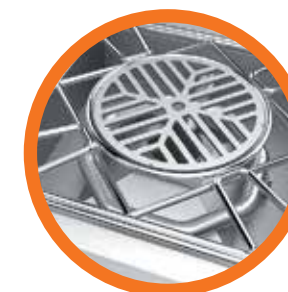
12" Single Side Burner



12" Double Side Burner



DiamondCut™ Grates



**DIAMONDCUT™
GRATE**

Commercial-grade 1/2" diameter stainless steel rod grate with 1/4" thick removable DiamondCut™ Grate center accommodates 14"-20" diameter woks.



Infrared Sear Burner

CHARCOAL TRAY

easily ignites lump coal, briquettes or wood chips for a new world of grilling options.



Add even more power, performance and versatility to your Hestan Outdoor kitchen. The 70,000 BTU power burner handles any crab boil (or crawfish, if you prefer). Side burners let you take care of all your sauces and side dishes while you grill. The griddle plate transforms your grates into an outdoor pancake and bacon station. And the charcoal tray gives you the versatility of all grilling worlds.



Griddle Plate for Grill



Griddle Plate for Power Burner



Charcoal Tray



Trellis Burner Conversion



Crank up the hospitality with the addition of a refreshment center. A speed rail keeps your spirits at the ready, while the sink, faucet and ice bin complete the wet bar setup. Heavy-duty construction and insulation keeps your drinks refreshed all night. Our custom-made smoker set makes it easy to grill with your favorite wood chips. And the carbon fiber grill cover protects your deluxe and tower cart grills in style.



30", 36" or 42" Insulated Jackets



Smoker Set



Caster Covers

REFRESHMENT CENTER

serves as your outdoor wet bar with sink, faucet and ice bin.



Refreshment Center



Insulated Sink (shown with optional faucet)



Ice Bin

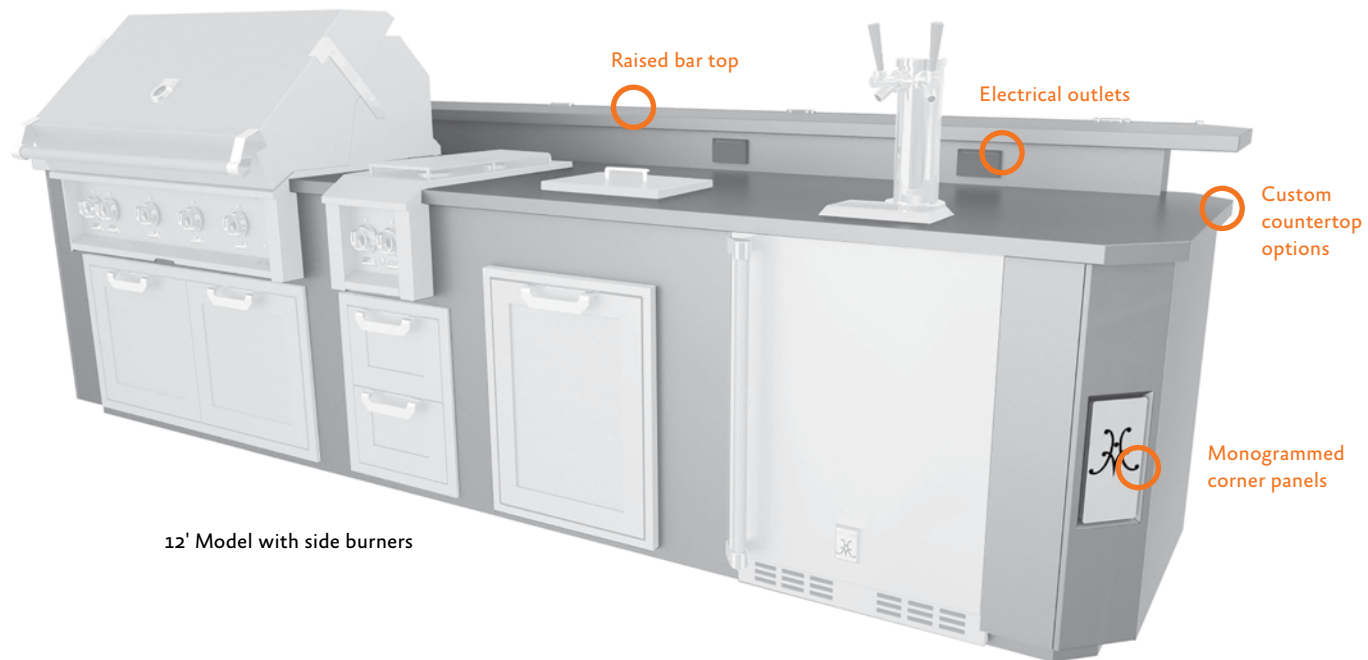


Carbon Fiber Vinyl Covers

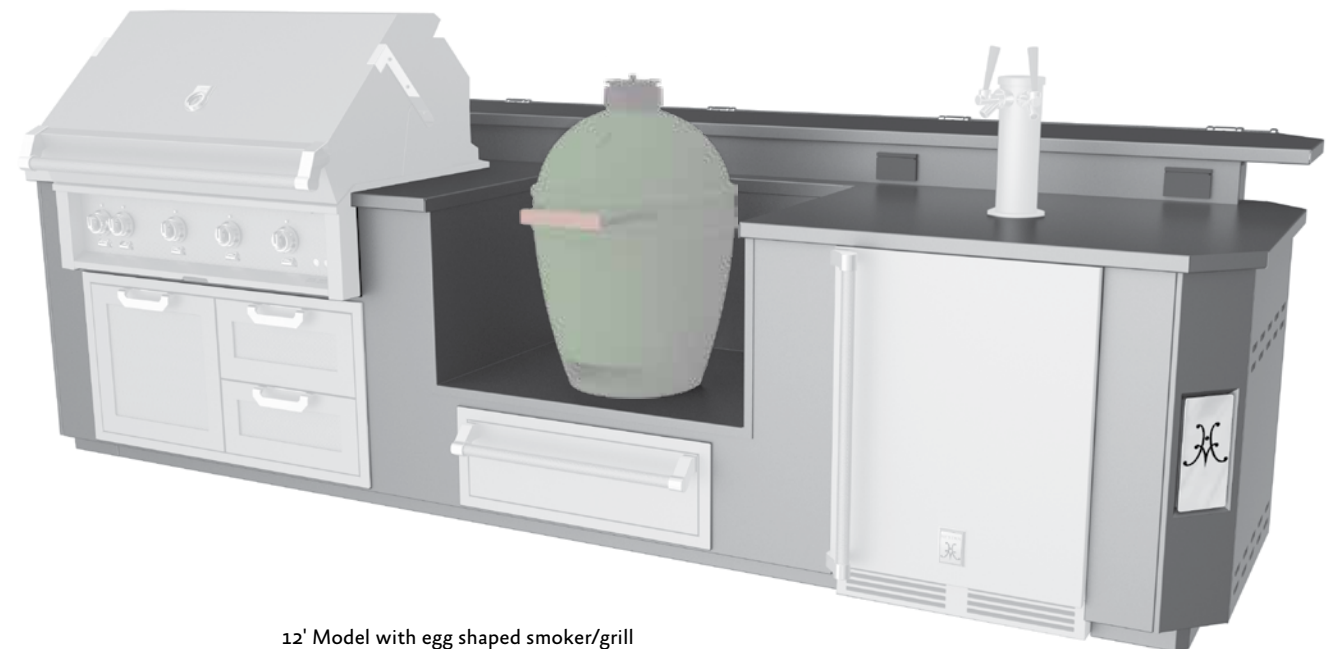
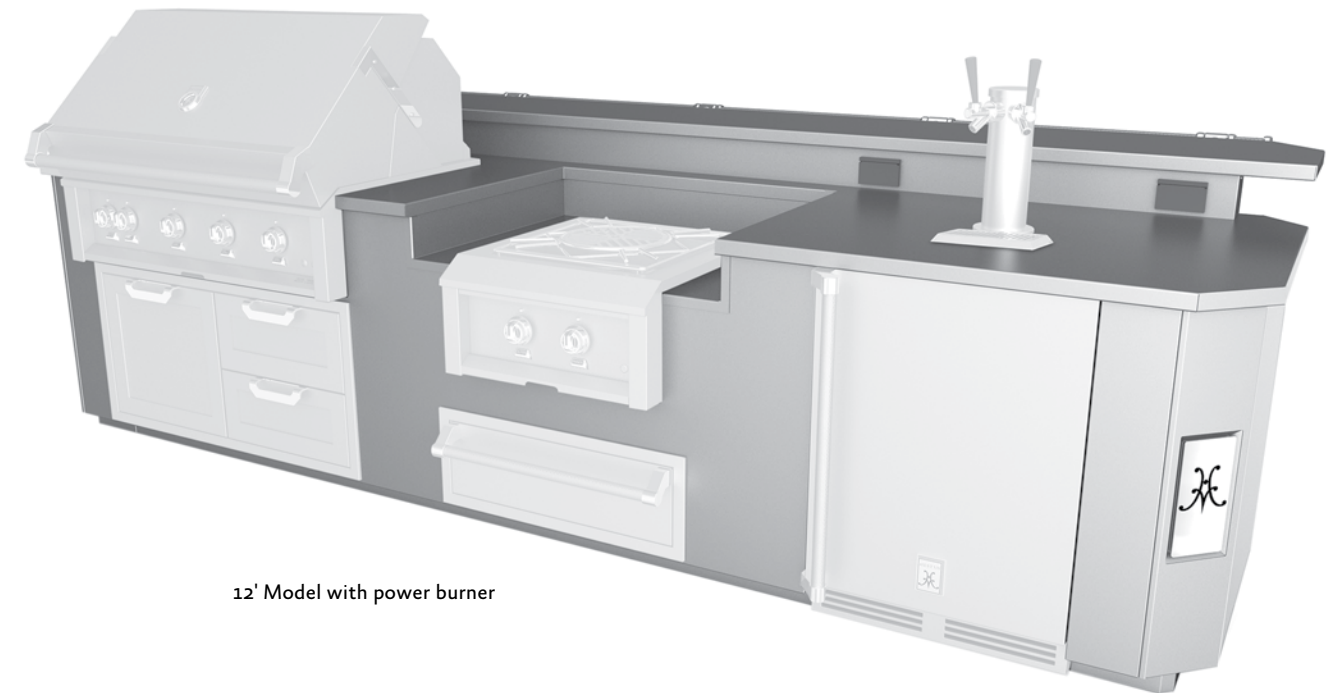


OUTDOOR LIVING SUITES

Available in 8' and 12' models (appliances not included)



Hestan Outdoor Living Suites transform your patio into a well-stocked oasis with cutouts for grills, side burners, power burner, storage, refrigeration or the all-important beverage dispenser. It can also accommodate your egg shaped smoker/grill. Outdoor Living Suites come equipped with weatherproof outlets and single-point gas and electrical connections to streamline fuel and power for all of your Hestan products. Covers are also available to keep all products protected. The suite can accommodate custom countertops or we can ship it with a fully-welded, single piece stainless steel countertop. Your style. Your choice.



COLOR

Our signature color finishes offer a spectrum from classic to vibrant. All finishes are powder coated on high-grade stainless steel to withstand the elements.



Sol



Tin Roof



Citra



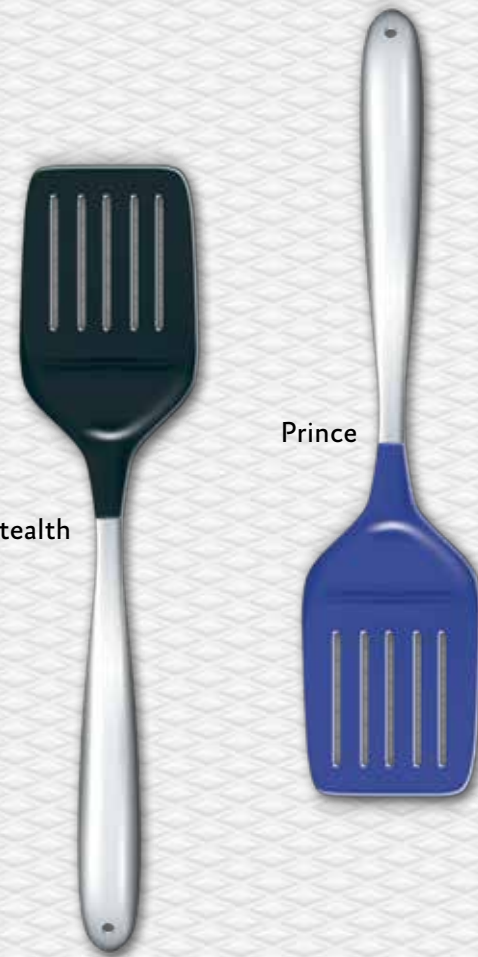
Matador



Lush



Bora Bora



Stealth

Prince



Froth



Steeletto



Pacific Fog

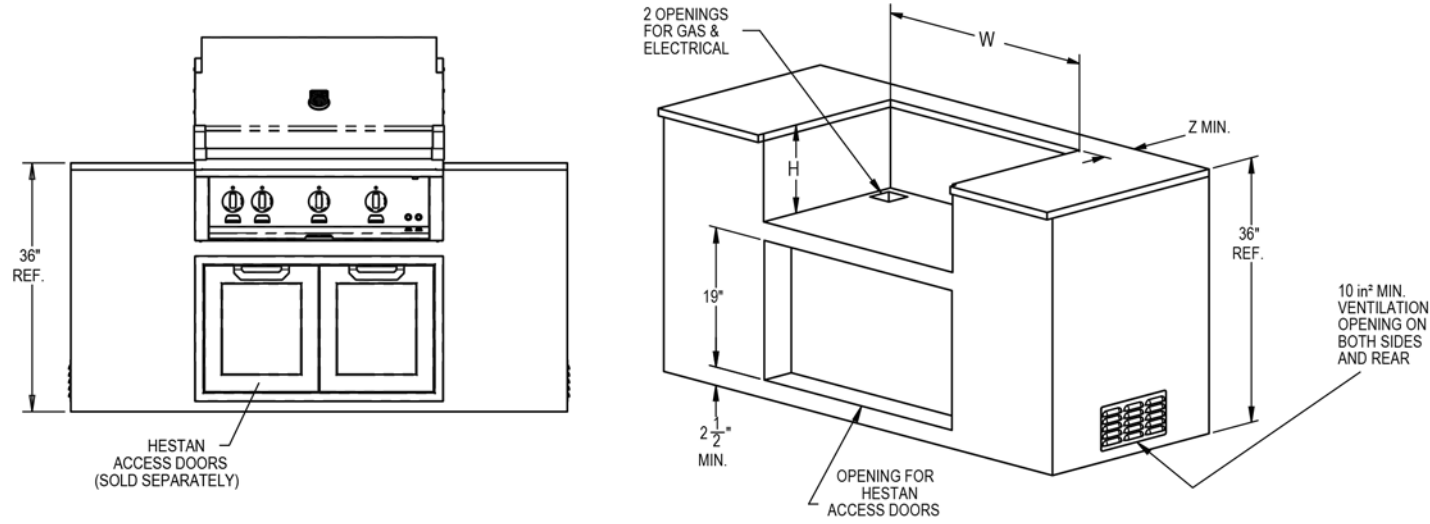


Grove

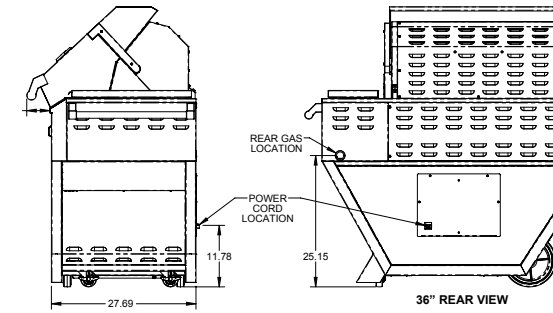
GRILLING IS AN OBSESSION SHARED BY THE ENGINEERS, DESIGNERS AND WELDERS AT HESTAN. OUR OUTDOOR PRODUCTS ARE THOUGHTFULLY DESIGNED AND DILIGENTLY ENGINEERED TO DELIVER THE UTMOST IN OUTDOOR PERFORMANCE.

EACH AND EVERY GRILL IS BUILT FROM SCRATCH AT HESTAN HEADQUARTERS IN ANAHEIM, CALIFORNIA. WE CUT OUR OWN STEEL. WE FABRICATE OUR GRATES. AND WE MAKE SURE EVERY DETAIL IS ABSOLUTELY PERFECT BEFORE YOUR GRILL LEAVES OUR FLOOR.

BUILT-IN GRILL SPECS



DELUXE GRILL SPECS



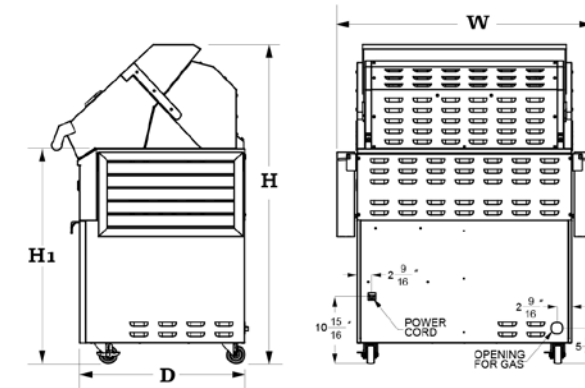
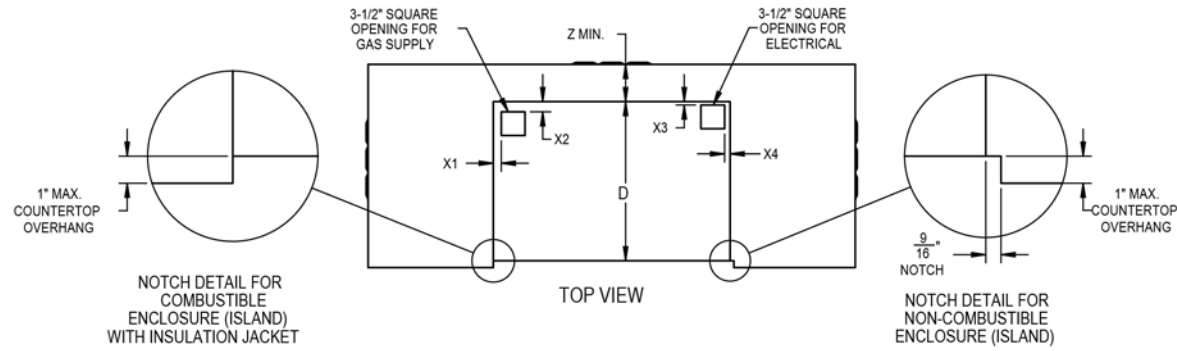
GAS REQUIREMENTS: 1/2" NPT gas connection. Minimum gas supply is 7" water column for natural gas and 11" for propane. Operating pressure at the manifold is 4" water column for natural gas and 10" for propane. All units require a regulated gas supply. (included)

ELECTRICAL REQUIREMENTS: 120V, 60Hz, 7 amps

All Models	Description	Overall Dims W(in.) x D(in.) x H(in.)	Total Btu's
G_BR36CX2-NG / -LP	Deluxe Freestanding 36" grill with double side burner	54-3/4 32-1/2 53-9/16	119000
G_BR42CX2-NG / -LP	Deluxe Freestanding 42" grill with double side burner	60-3/4 32-1/2 53-9/16	148000

_ = specify burner configuration
 A= all Trellis Burners M= Sear and Trellis Burners S= all Sear Burners

TOWER CART SPECS



Built - In Models	Description	Cutout Dimensions								Total Btu's
		W (in.)	D (in.)	H (in.)	X1 (in.)	X2 (in.)	X3 (in.)	X4 (in.)	Z (in.)	
G_BR30-NG / -LP	30" Grill Built-in	29	23-1/2	11-1/2	1-3/16	1-1/2	1/4	13/16	5-1/2	62000
G_BR36-NG / -LP	36" Grill Built-in	35	23-1/2	11-1/2	1-3/16	1-1/2	1/4	13/16	5-1/2	89000
G_BR42-NG / -LP	42" Grill Built-in	41	23-1/2	11-1/2	1-3/16	1-1/2	1/4	13/16	5-1/2	118000

_ = specify burner configuration A= all Trellis Burners M= Sear and Trellis Burners S= all Sear Burners

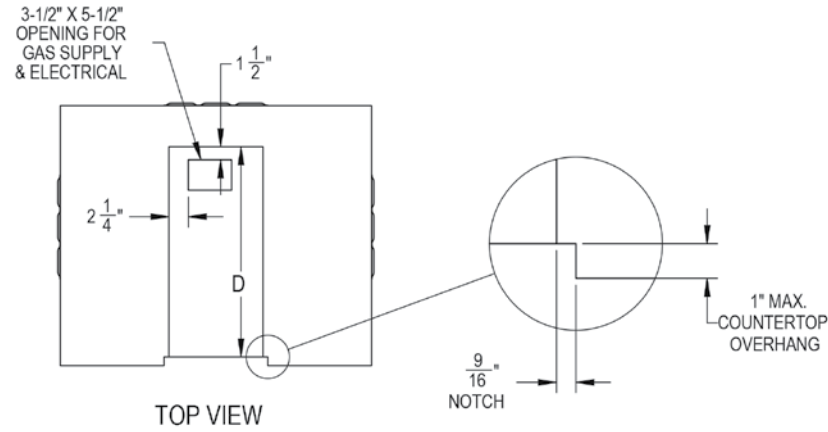
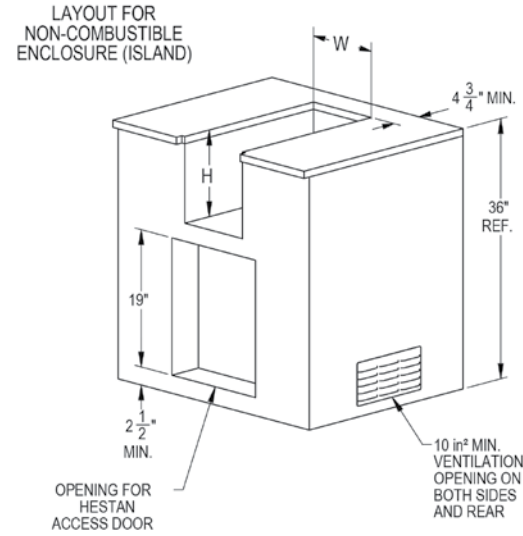
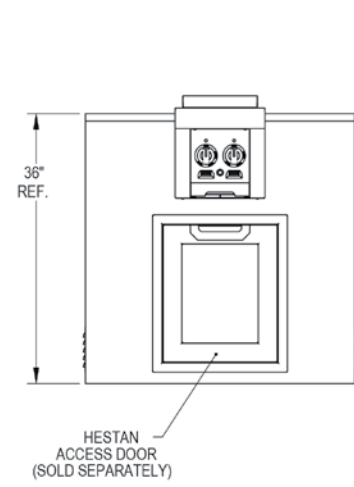
INSULATED JACKETS									
Model Number	Description	W (in.)	D (in.)	H (in.)	X1 (in.)	X2 (in.)	X3 (in.)	X4 (in.)	Z (in.)
AGIj30	Insulated Jacket, 30"	35	25-3/8	12-13/16	4-3/16	3-1/8	1-1/2	3-13/16	3-7/8
AGIj36	Insulated Jacket, 36"	41	25-3/8	12-13/16	4-3/16	3-1/8	1-1/2	3-13/16	3-7/8
AGIj42	Insulated Jacket, 42"	47	25-3/8	12-13/16	4-3/16	3-1/8	1-1/2	3-13/16	3-7/8

GAS REQUIREMENTS: 1/2" NPT gas connector. Minimum gas supply is 7" water column for natural gas and 11" for propane. Operating pressure at the manifold is 4" water column for natural gas and 10" for propane. All units require a regulated gas supply. (included)

ELECTRICAL REQUIREMENTS: 120V, 60Hz, 6 amps

All Models	Description	Overall Dims			H1 (in.) cart only	with Side Burner (W in.)	w/ Side Burner and Side Shelf (W in.)
		W(in.)	D(in.)	H(in.)			
GCD30	30" Double Door Tower Cart	36-13/16	27-13/16	53-5/8	36-1/16	45-3/8	48-3/4
GCR30	30" Door and Drawer Tower Cart	36-13/16	27-13/16	53-5/8	36-1/16	45-3/8	48-3/4
GCD36	36" Double Door Tower Cart	42-13/16	27-13/16	53-5/8	36-1/16	51-3/8	54-3/4
GCR36	36" Door and Drawer Tower Cart	42-13/16	27-13/16	53-5/8	36-1/16	51-3/8	54-3/4
GCR42	42" Door and Drawer Tower Cart	48-13/16	27-13/16	53-5/8	36-1/16	57-3/8	60-3/4

SIDE BURNER SPECS



ELECTRICAL REQUIREMENTS :

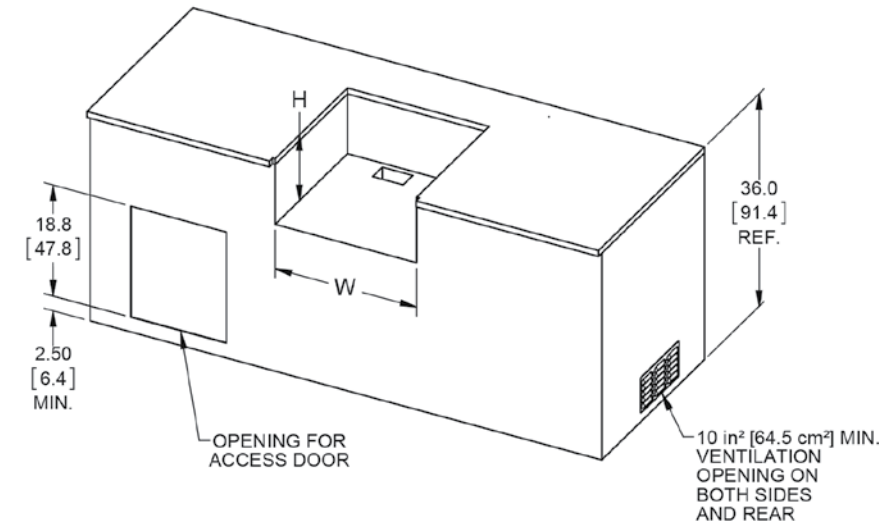
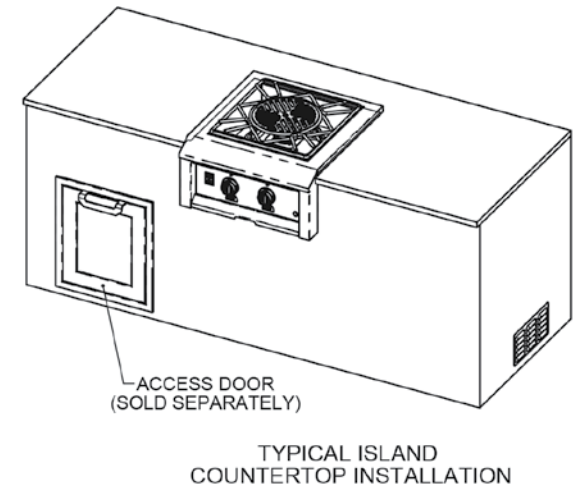
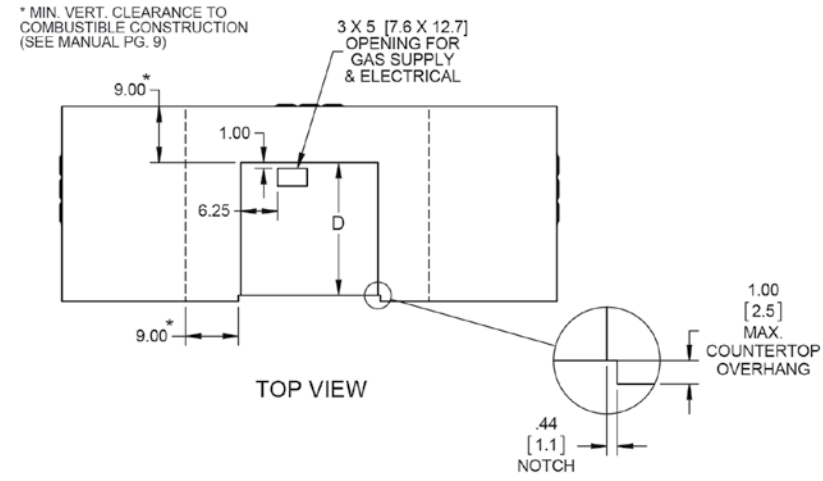
120V, 60Hz, 1 amp

GAS REQUIREMENTS :

1/2" NPT gas connection. Minimum gas supply is 7" water column for natural gas and 11" for propane. Operating pressure at the manifold is 4" water column for natural gas and 10" for propane. All units require a regulated gas supply. (included)

All Models	Description	Cutout Dimensions			Total Btu's
		W(in.)	D(in.)	H(in.)	
AGB121-NG / -LP	Single Side Burner, Built-in, 12"	11	13-7/8	11-1/2	20,000
AGB122-NG / -LP	Double Side Burner, Built-In or Cart-Attached 12"	11	24-1/4	11-1/2	30,000

POWER BURNER SPECS



ELECTRICAL REQUIREMENTS :

120V, 60Hz, 1 amp

GAS REQUIREMENTS :

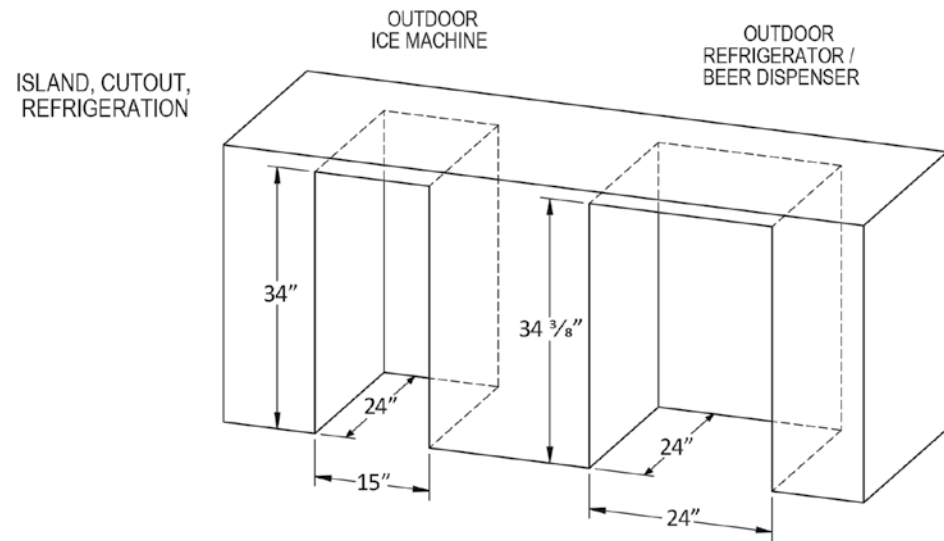
1/2" NPT gas connection. Minimum gas supply is 7" water column for natural gas and 11" for propane. Operating pressure at the manifold is 4" water column for natural gas and 10" for propane. All units require a regulated gas supply. (included)

All Models	Description	Cutout Dimensions			Total Btu's
		W(in.)	D(in.)	H(in.)	
AGPB24-NG / -LP	Power Burner, Built-in, 24"	23-1/4	22-1/2	11-1/8	70,000



Hestan Commercial Corporation reserves the right to change materials and specifications without notice. Specify type of gas when ordering.

REFRIGERATION SPECS



NOTE: See outdoor beer dispenser manual for detailed installation information and faucet tower cutout dimensions.

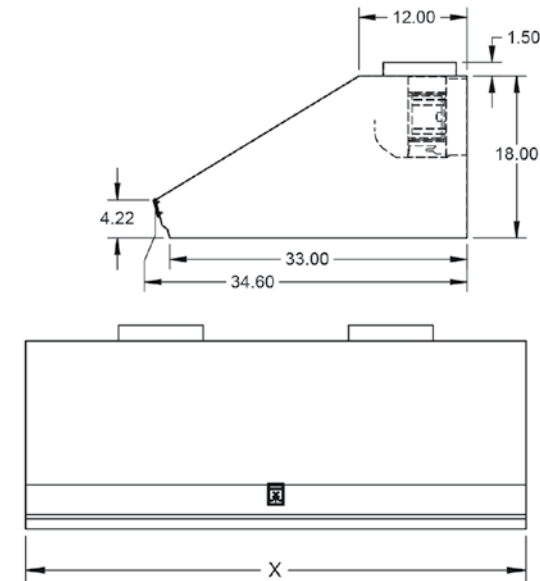
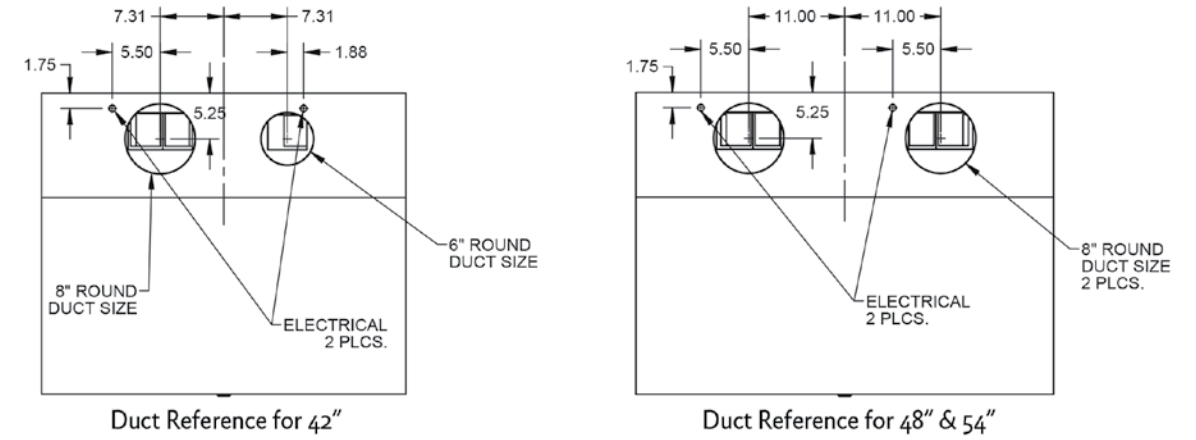
Models	Description	Electrical Requirements
GRS_24	24" Outdoor Refrigerator, Solid Door with Lock	115V, 60Hz., 1 Phase, 2.3 amps
GRR24	24" Outdoor Refrigerator Drawers with Lock	115V, 60Hz., 1 Phase, 2.3 amps
GRFR24	24" Outdoor Refrigerator Drawer and Freezer Drawer with Lock	115V, 60Hz., 1 Phase, 2.3 amps
GRWS_24	24" Outdoor Dual Zone Refrigerator w Wine, Solid Door with Lock	115V, 60Hz., 1 Phase, 2.3 amps
GRWG_24	24" Outdoor Dual Zone Refrigerator w Wine, Glass Door with Lock	115V, 60Hz., 1 Phase, 2.3 amps
GFDS_241	24" Outdoor Single Faucet Beer Dispenser, Solid Door with Lock	115V, 60Hz., 1 Phase, 2.3 amps
GFDS_242	24" Outdoor Double Faucet Beer Dispenser, Solid Door with Lock	115V, 60Hz., 1 Phase, 2.3 amps
GIM_15	15" Outdoor Ice Machine	120V, 60Hz., 1 Phase, 3.8 amps

_ = Specify (L) or (R) for Left or Right Hinge model



Hestan Commercial Corporation reserves the right to change materials and specifications without notice. Specify type of gas when ordering.

VENTILATION SPECS

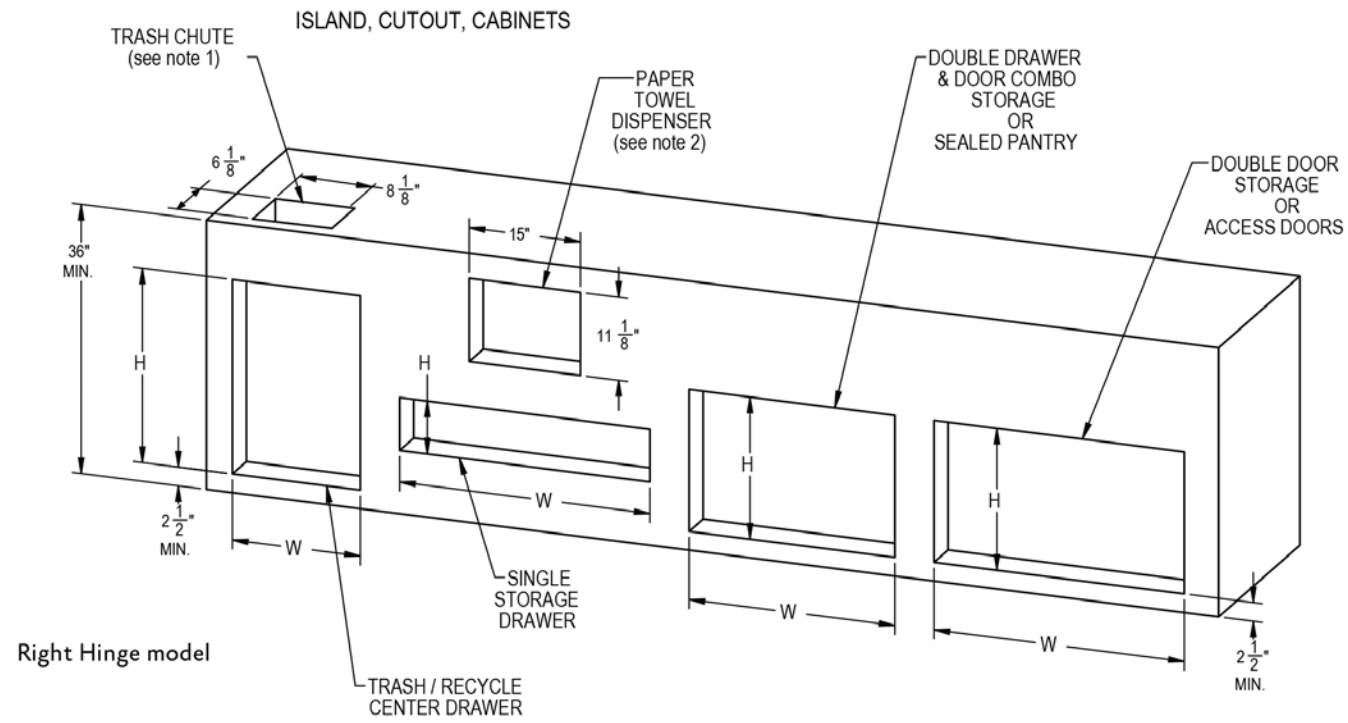


ALL Models	Description	Width Dimensions X (in.)	CFM	Volts	Amps	Hz	RPM	Sones	# Lights	Approx SHP WT (lbs)
GVP42	42" Pro Canopy Outdoor	41.88	900	120	6.0	60	1550	6.3	3	80
GVP48	48" Pro Canopy Outdoor	47.88	1200	120	7.5	60	1550	6.6	3	95
GVP54	54" Pro Canopy Outdoor	53.88	1200	120	7.5	60	1550	6.6	4	105

Hestan outdoor products are approved for outdoor use only. Hestan Commercial Corporation reserves the right to change materials and specifications without notice.



ACCESS & STORAGE SPECS

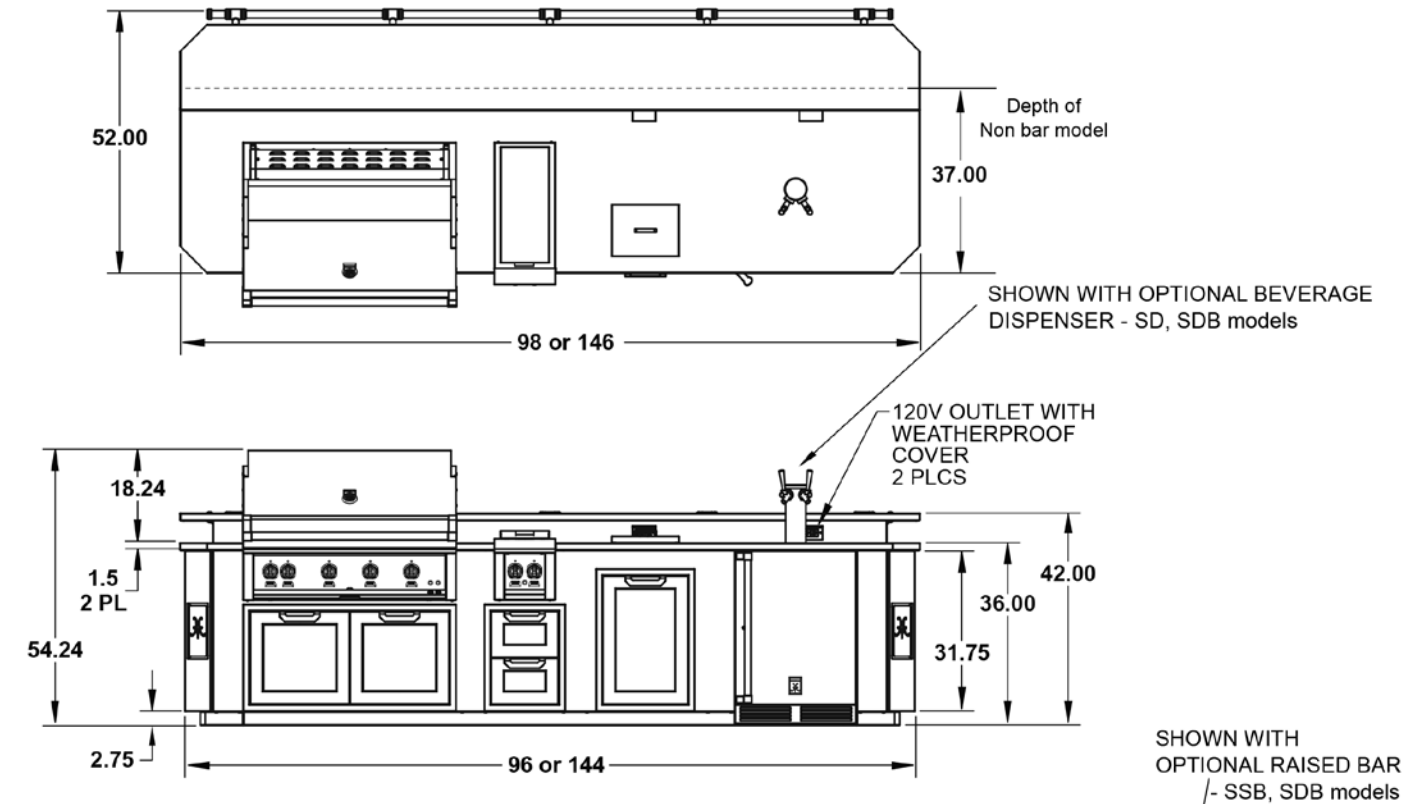


NOTES:

- 1) Trash Chute AGTC cutout depends on type of countertop used. Please refer to installation instructions for details.
- 2) Paper Towel Dispenser AGPTD16 can be installed in 3 different orientations using these cutout dimensions. Please refer to installation instructions for details.

Built - In Models	Description	Product Width Options		Cutout Dimensions		
		W (in.)	W (in.)	D (in.)	H (in.)	
AGAD__xx	Single Access Door , with Marquise accent panel	18" or 24"	15-7/8" or 21-7/8"	n/a	19	
AGADxx	Double Access Doors , with Marquise accent panel	30", 36" or 42"	27-7/8", 33-7/8" or 39-7/8"	n/a	19	
AGSDxx	Double Storage Doors , with Marquise accent panel	30", 36" or 42"	27-7/8", 33-7/8" or 39-7/8"	23-3/8"	19	
AGSRxx	Single Storage Drawer , all stainless front with Marquise accent handle	30" or 36"	27-7/8" or 33-7/8"	23-3/8"	8-7/8"	
AGDR16	Double Drawers , with Marquise accent panel	16"	13-7/8"	23-3/8"	19	
AGSDRxx	Double Drawer and Storage Door Combination w/ Marquise accent panel	30", 36" or 42"	27-7/8", 33-7/8" or 39-7/8"	23-3/8"	19	
AGLP36	Double Sealed Pantry Storage Doors, with Marquise accent panel	36"	33-7/8"	23-3/8"	19	
AGTRC20	Trash and Recycle Center Storage Drawer, with Marquise accent panel	20"	17-1/4"	24"	26"	
AGTC	Countertop Trash Chute with Cutting Board and Cover	-	6-1/8"	8-1/8"	n/a	
AGPTD16	Paper Towel Dispenser, with Marquise accent panel	16"	11-1/8"	10-1/8"	15"	

OUTDOOR LIVING SUITE SPECS



ELECTRICAL REQUIREMENTS :

120V, 60Hz, 20 amp circuit breaker from main service panel

GAS REQUIREMENTS : 1/2" NPT gas connection.

Minimum gas supply is 7" water column for natural gas and 11" for propane. Operating pressure at the manifold is 4" water column for natural gas and 10" for propane.

All units require a regulated gas supply. (included with appliances)

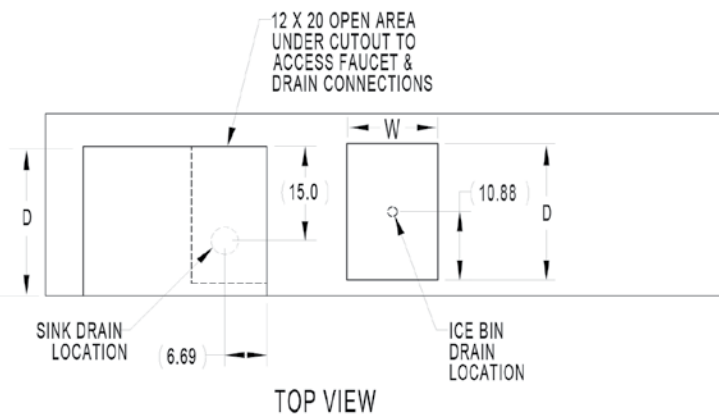
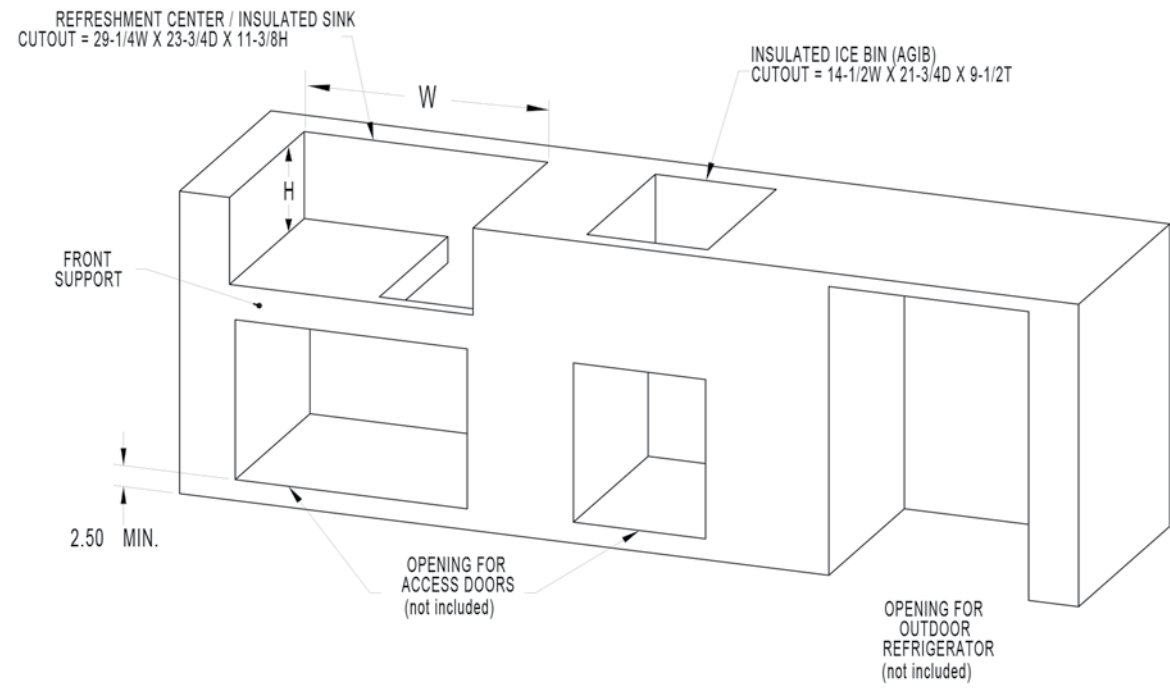
INSTALLATION/ASSEMBLY SHOULD BE PERFORMED BY A QUALIFIED SERVICE TECHNICIAN OR PROFESSIONAL OUTDOOR EQUIPMENT INSTALLER. THE ELECTRICAL COMPONENTS SUPPLIED WITH SUITES MUST BE INSTALLED BY A LICENSED ELECTRICIAN AND CONNECTED IN ACCORDANCE WITH LOCAL CODES. GAS CONNECTIONS MUST BE MADE BY A LICENSED PLUMBER IN ACCORDANCE WITH LOCAL CODES.

Built - In Models	Description	Weight (lbs)
GE__8	8' Cooking Suite	650
GE__12	12' Cooking Suite	940
GE__P12	12' Cooking Suite with Power Burner	940
GE__K12	12' Cooking Suite with Egg Shaped Smoker/Grill	940

S: no top SD: ss top w/ beer dispenser SS: ss top SSB: ss top w/bar SDB: ss top w/bar and beer dispenser SB: no top w/ bar

Hestan Commercial Corporation reserves the right to change materials and specifications without notice. Specify type of gas when ordering.

REFRESHMENT CENTER SPECS



Accessories	Description / Notes
AGSR	Speed Rail 30" / Included with GRC30 & GRCHS30
AGOF	Faucet, Hot/Cold, Single Handle with Pullout Spray / Included with GRC30 & GRCHS30
AGLED19	Light, LED, Motion Sense, Stick on, Rechargeable with USB Cable

All Models	Description	Cutout Dimensions			Weight
		W(in.)	D(in.)	H(in.)	
GRC 30	Refreshment Center, 30"	29-1/4	24-5/16	12	120
GRCHS30	Refreshment Center, High Shelf, 30"	29-1/4	24-5/16	12	152
GIS 30	Insulated Sink, 30"	29-1/4	24-5/16	12	73
GISHS30	Insulated Sink, High Shelf, 30"	29-1/4	24-5/16	12	96
AGIB	Ice Bin, Insulated Sink, 16"	14-1/2	21-3/4	12	41







 HESTAN

3375

hestanhome.com
888.905.7463
3375 E. La Palma Avenue
Anaheim, CA 92806

