

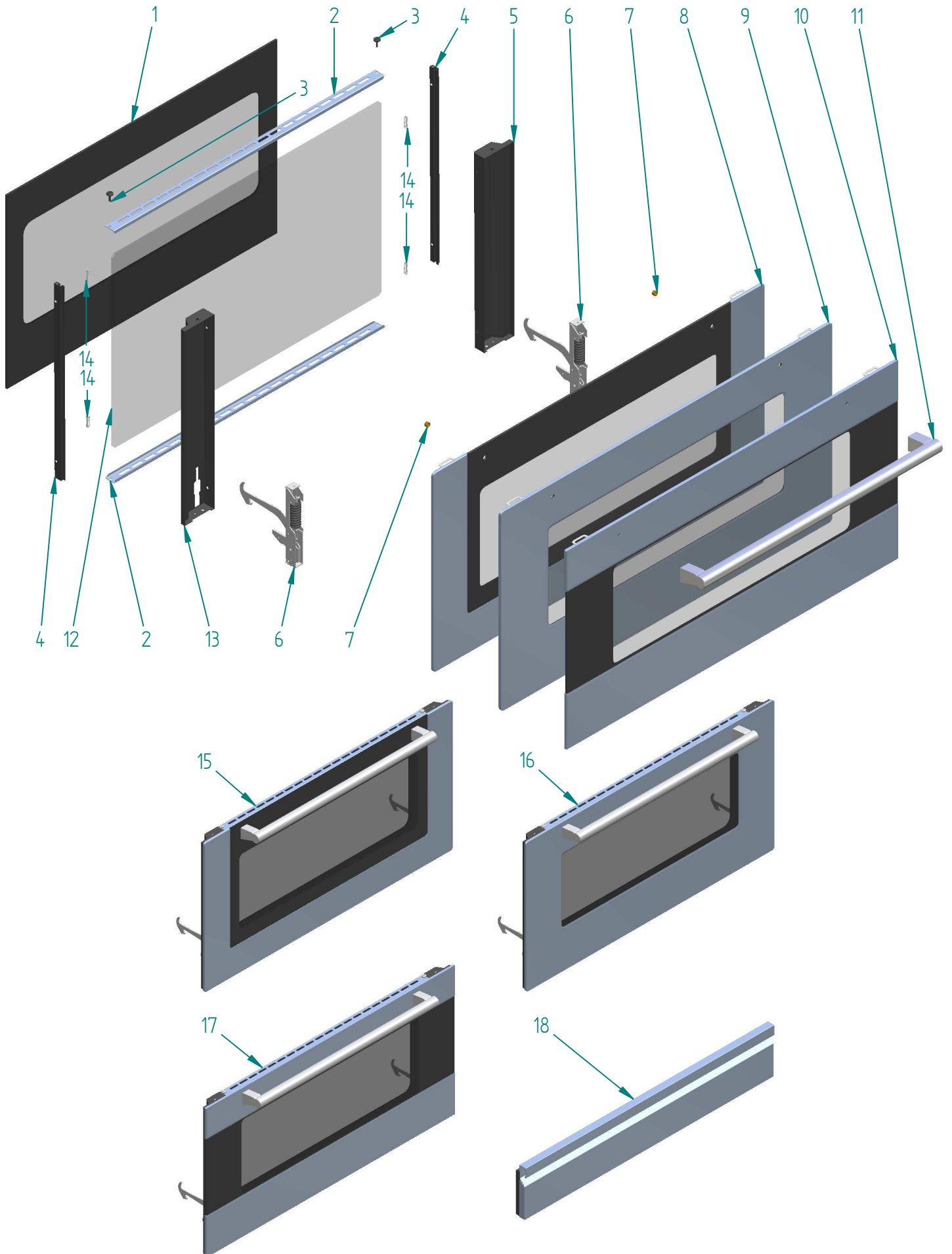
ILVE S.p.a.

UP_90FVG2

UPL90FVG2 - UPW90FVG2 - UPF90FVG2

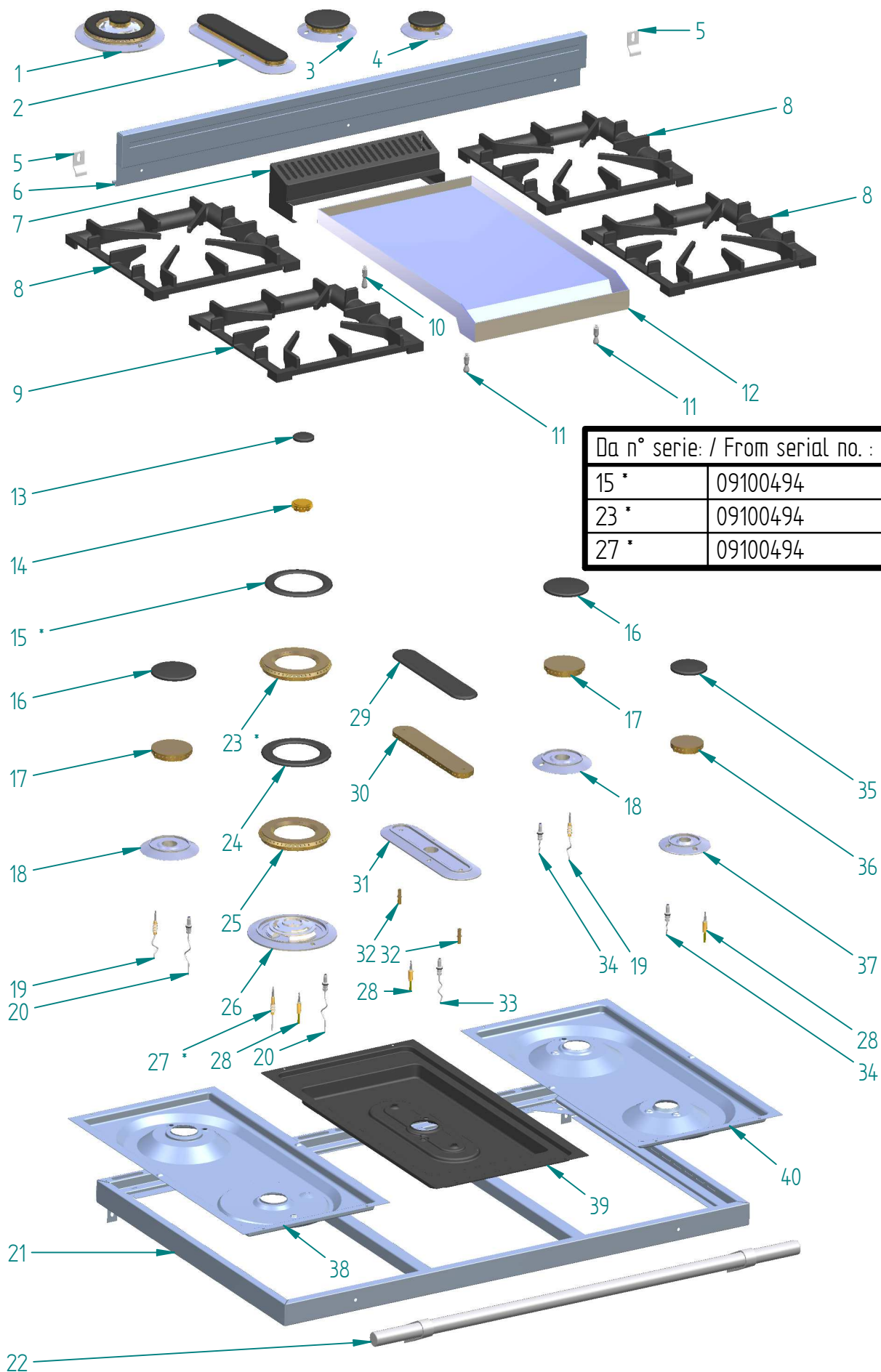
10/03/2010





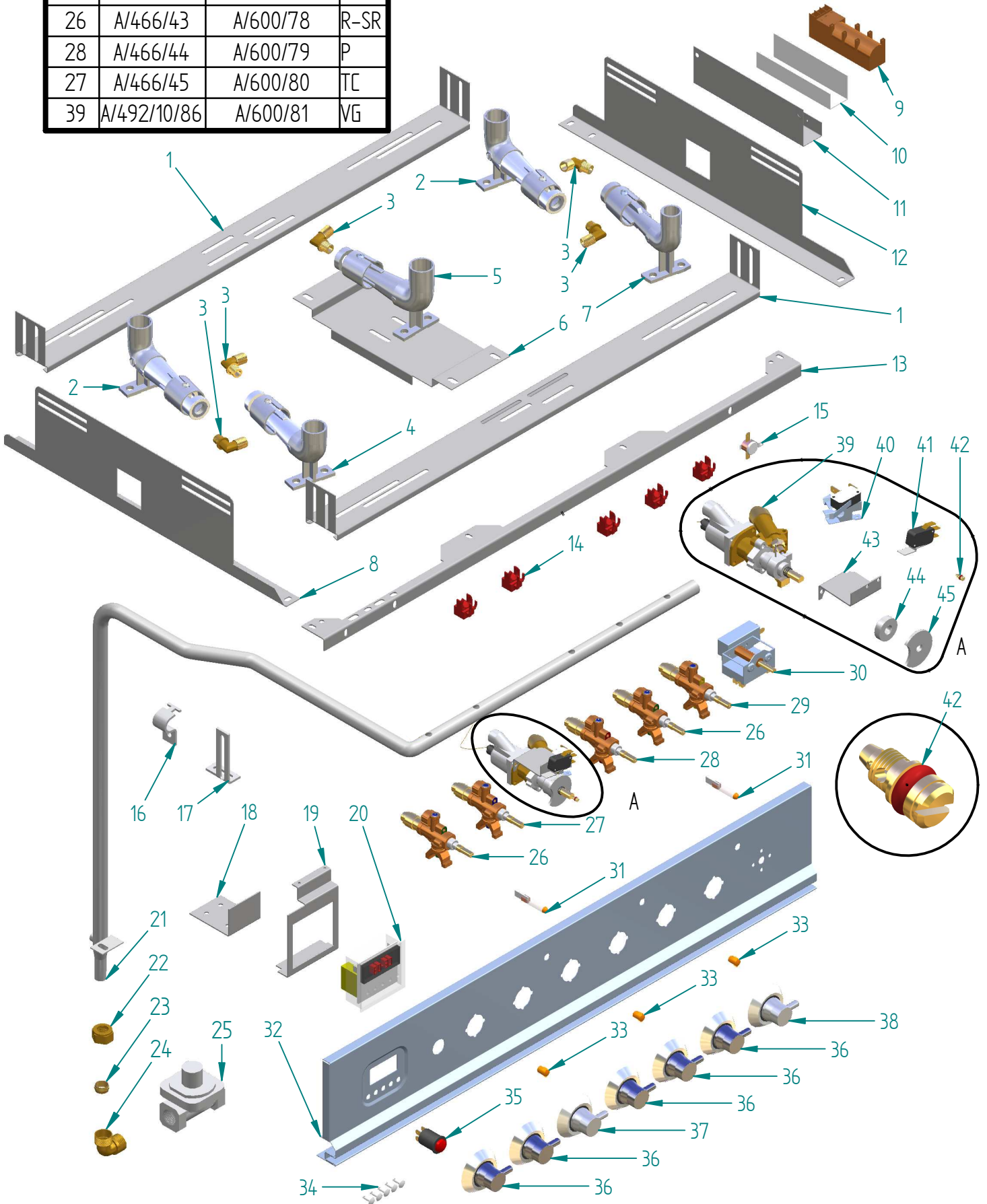
<i>dis.</i>	<i>cod.</i>	<i>descrizione</i>	<i>description</i>
1	A/504/86/86	VETRO INTERNO PORTA 900 TR VETRO	INNER DOOR GLASS
2	S/120/06/08	FERMAVETRO PO 80/90 TR VET INOX USA	GLASS STOP
3	A/602/02	VITE ZIGR FERMAV/FERMAGR LAT FORNO	KNURLED SCREW FOR HOLDING GLASS /SIDE GRILLS FO.
4	A/445/23	PROFILO GUIDA TRIPLO VETRO PORTA	PROFILE
5	S/022/28/14	CONTROPORTA FO 600/800 LAT DX NERO	RIGHT INSIDE DOOR FOR 60/80 OVEN
6	A/028/45	CERNIERA POR FO 90 3V (FARINGOSI)	3 GLASSES 90CM OVEN DOOR HINGE
7	A/065/00	DISTANZIALE OT DIS 347 MANIGLIA PORTA	BRASS SPACER FOR HANDLE
8	G/505/19/08	VETRO PO 900L 3V I=540 INOX	900L DOOR GLASS I=540 / ST ST
9	G/505/10/08	VETRO+PO 80/90 3V I=540 OBLO'INOX	OVEN DOOR GLASS I=540 / ST ST
10	G/505/01/08	VETRO PO 900T 3V FASCE INOX	900T DOOR GLASS / ST ST
11	A/116/33/08	MANIGLIONE D.25 I=540 L=566 INOX	HANDLE DIAM=25 I=540/ST ST
12	A/504/86/85	VETRO INTERM PORTA 900 TR VETRO	DOOR GLASS
13	S/022/29/14	CONTROPORTA FO 600/800 LAT SX NERO	LEFT INSIDE DOOR FOR 60/80 OVEN
14	A/402/13	MOLLA (CLIP FISSAGGIO) VETRO INTERMEDIO	SPRING
15	UG/779/08	PORTA COMPL 3V UPL90 INOX	TRIPLE GLASS UPL90 DOOR / ST ST
16	UG/712/08	PORTA COMPL 3V UPW90 OBLO' INOX	TRIPLE GLASS 90 CM DOOR / ST ST
17	UG/778/08	PORTA COMPL 3V UPF90 INOX	TRIPLE GLASS 90 CM DOOR / ST ST
18	G/081/08	FRONTALE COMPL CASS P90 PLUS INOX	P90 PLUS DRAWER FRONT / ST ST

%{Titolo

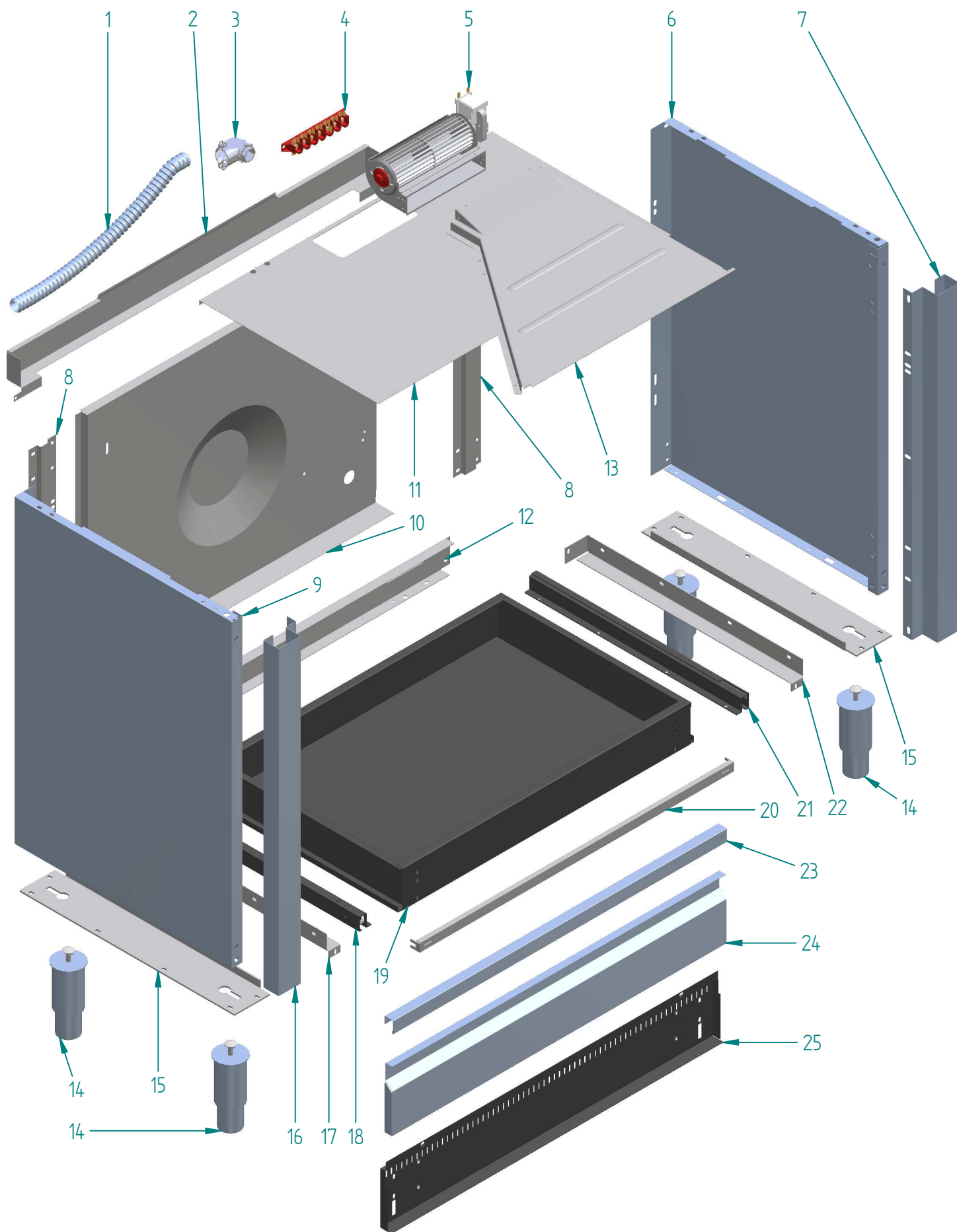


<i>dis.</i>	<i>cod.</i>	<i>descrizione</i>	<i>description</i>
1	KBR001	KIT BRUC TRIPLA CORONA 2 FORI	COMPLETE TR RING BURNER (2 HOLES)
2	KBR002	KIT BRUC PESCERA 2 FORI	COMPLETE FISH BURNER (2 HOLES)
3	KBR003	KIT BRUC RAP PIANO/CUC PROF 2 FORI	COMPLETE RAPID BURNER (2 HOLES)
4	KBR004	KIT BRUC SEM RAP PIA/CUC PRO 2 FORI	COMPLETE SMALL RAPID BURN (2 HOLES)
5	S/232/45	SQUADRETTA FERMA CUCINA	BRACKET
6	S/002/29	ALZATINA CUCINA USA P-PD90 INOX	SPLASH BACK
7	S/008/33/14	CAMINETTO FRY TOP PROFESS SMALT	FRY TOP CHIMNEY
8	A/092/78/10	GRIGLIA PROFESS 60 FORO 80 285X280 VETR	PROFESSIONAL GRILL HOB/COOK. 60 CM (1 HOLE 80 MM)
9	A/092/80/10	GRIGLIA PROFESS 60 FORO 120 285X280VETR	PROFESSIONAL GRILL HOB/COOK. 60 CM (1 HOLE 120 MM)
10	A/414/06	PERNO LUNGO INN PIA(INC/COMB)+FRY T	LONG COOKTOP PIN
11	A/414/04	PERNO CORTO INN PIA (APP)+FRY TOP	SHORT COOKTOP PIN
12	A/419/01	PIASTRA FRY TOP PROFESSIONAL	FRY TOP PLATE
13	A/048/07/10	COPRISPART TC AUX RAF MAT 3F	TRIPLE RING BURNER SMALL COVER
14	A/478/17	SPARTIFIAMMA TC AUSILIARIO +INDEX	TR RING SMALL FLAME DIVIDER (INDEX)
15	A/048/09/10	COPRISPART TC GR 1V/DUAL RAF MAT 3F	TRIPLE RING FLAME DIVIDER COVER
16	A/048/02/10	COPRISPART GRANDE (S2) RAF MAT 3F	LARGE FLAME DIFFUSER COVER
17	A/478/12/90	SPARTIFIAMMA GRANDE	NEW LARGE FLAME DIFFUSER
18	A/488/11/91	TAZZINA P C GRANDE (2 FORI)	HOB COOKER LARGE CUP+IGN+S.V. HOLES
19	A/490/17	TERMOCOPPIA FLEX 70CM M8X1	THERMOCOUPLE 70
20	A/018/06	CANDELA ACC.(CAVO=MM800 H=MM28)	IGNITION PLUG MM 800
21	S/238/85/08	TELAIO PIANO CUC USA P-PD90BVF INOX	FRAME FOR P90 PD90 USA / ST.ST.
22	A/049/14/08	CORRIMANO TECH-UL D25 I625 L820 INO	HAND RAIL
23	A/478/19	SPARTIFIAMMA TC GRANDE 1 V/DUAL	DUAL TRIPLE RING BIG FLAME DIVIDER
24	A/048/00/10	COPRISPART TC GHISA GRANDE VETR	TRIPLE RING FLAME DIVIDER COVER
25	A/478/07	SPARTIFIAMMA TC GRANDE	NEW TRIPLE RING BIG FLAME DIVIDER
26	A/488/23	TAZZINA TC (2 FORI)	TRIPLER RING CUP+IGN+S.V. HOLES
27	A/490/19	TERMOCOPPIA TC 45CM M8X1 BIFIL	THERMOCOUPLE 45
28	A/490/03	TERMOCOPPIA FLEX 45CM M8X1	THERMOCOUPLE 45
29	A/048/04/10	COPRISPART PESCERA RAF MAT 3F	FISH BURNER FLAME DIFFUSER COVER
30	A/478/08	SPARTIFIAMMA PESCERA	FISH BURNER BRASS FLAME DIFFUSER
31	A/488/13	TAZZINA PESCERA (2 FORI)	FISH BURNER CUP+IGN+S.V. HOLES
32	A/602/42	VITE PESCERA 8X26XM6 OTTONE	RETAINING SCREW FOR FISH BURNER
33	A/018/04	CANDELA ACC.(CAVO=MM600 H=MM28)	IGNITION PLUG MM 600
34	A/018/02	CANDELA ACC.(CAVO=MM400 H=MM28)	IGNITION PLUG MM 400
35	A/048/06/10	COPRISPART PICCOLO (S1) RAF MAT 3F	SMALL FLAME DIFFUSER COVER
36	A/478/12/92	SPARTIFIAMMA PICCOLO	NEW SMALL FLAME DIFFUSER
37	A/488/11/93	TAZZINA P C PICCOLA (2 FORI)	HOB COOKER SMALL CUP+IGN+S.V. HOLES
38	S/216/13/08	RACCOGLIG P60-P665 1F+TC INOX	DRIP CATCHER 1 RING + DOUBLE RING P60-P665-PD90B
39	S/216/16/14	RACCOGLIG FRY TOP SMALT NERO	DRIP CATCHER FOR PROFESS FRY TOP
40	S/216/12/08	RACCOGLIG P60-P665 2F INOX	DRIP CATCHER 2 RINGS P60 P665 PD90B

LPG APPLIANCES			
DRAW	VALVE	BY PASS SCREW	
29	A/466/57	A/600/77	SR
26	A/466/43	A/600/78	R-SR
28	A/466/44	A/600/79	P
27	A/466/45	A/600/80	TC
39	A/492/10/86	A/600/81	VG

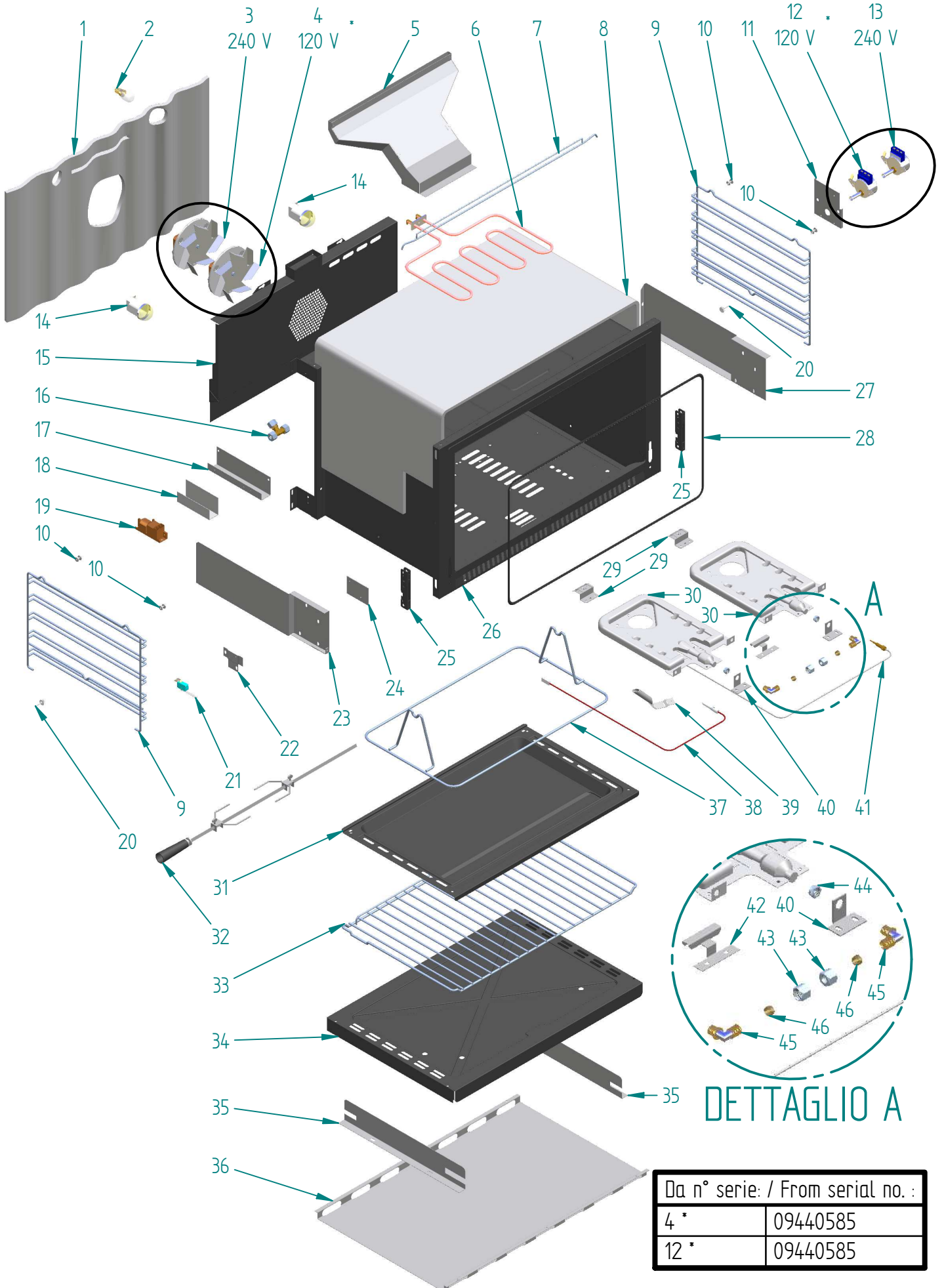


<i>dis.</i>	<i>cod.</i>	<i>descrizione</i>	<i>description</i>
1	S/149/06	LISTELLO PORTABR P90-P90B-P906	BURNERS HOLDER FOR P90-P90B-P90_6
2	A/014/12/90	BRUCIATORE PIPA GRANDE (H=94)	BIG BURNER (H=94)
3	A/434/04	PORTAINIETT A GOMITO GRILL/FUOCHI	INJECTOR HOLDER GRILL/COOKTOP
4	A/014/12/92	BRUCIATORE PIPA GRANDE (H=80) TC PROFESSIONAL	BIG BURNER (H=80MM)
5	A/014/12/93	BRUCIATORE PIPA GRANDE (H=86) PESCIERA PROFESSIONAL	BIG BURNER (H=86MM)
6	S/149/42	LISTELLO PORTABR FRY TOP	STRIP
7	A/014/12/91	BRUCIATORE PIPA PICCOLO (H=94)	SMALL BURNER (H=94)
8	S/128/91	LATERALE PORTABR CUC PROFESS DX	RIGHT SIDE BURNER HOLDER
9	A/494/27	TRASFORMATORE ACC EL 6 FUOCHI UL	6 WAYS IGN TRANSFORMER
10	A/024/12	CARTONCINO ISOL NOMEX TRASF 6FUOCHI	NOMEX INSULATING CARD FOR IGNITION TRANSFORMER 6 BURNE
11	S/236/77	SUPPORTO TRASF ACC CUC PROFESSIONAL	EL. IGN. TRANSFORMER HOLDER FOR PROFESSIONAL COOKER
12	S/128/90	LATERALE PORTABR CUC PROFESS SX	LEFT SIDE BURNER HOLDER
13	S/148/03	LISTELLO FERMACRU CUC P90	CONTROL BOARD ANCHORING STRIP FOR 90CM. PROFESSIONAL C
14	A/401/14	MICROINT ACC RUB SABAF CUC	IGNITION SWITCH
15	A/492/37	TERMOREG SIC NA 50°C UL	SAFETY THERMOSTAT UL
16	S/004/02	BRIGLIA RAMP FORNO ELZN	OVEN RAMP CLAMP
17	S/232/63	SQUADRETTA FERMAR CU/FO 30/10 ZN CHMUFF CH	SMALL STOP RAMP CLAMP FOR OVENS AND COOKERS
18	S/232/33	SQUADRETTA BLOCC PR/CON CUC MUF RIB	BRACKET
19	S/236/63	SUPPORTO PROGR EL145 (5 TASTI) CUC	PROGRAMMER HOLDER (EL145) FOR COOKER
20	A/446/42	PROGR EL145 5T BIPO UL 50/60HZ 230V	ELETTRONIC PROGRAMMER EL145
21	A/454/41	RAMP CUCINA 5 FORI + 1 (P90/PD90) PRESA PRESSIONE	RAMP FOR P90/PD90 (5+1 HOLES) WITH VALVE
22	A/062/20	DADO 1/2 D.14 RACCORDO PORTAGOMMA A/415/11 935002022	NUT HOSETAIL S.436/4
23	A/004/04	BICONO 14MM RACCORDO PORTAGOMMA S135 944000016	HOSE NUT
24	A/452/04	RACC CURVO PORTAG (SIRAL) 1/2" PO-04 D.14 OT 9360000070	HOSETAIL COUPLING (SIRAL)
25	A/437/00	STABILIZZATORE PRESSIONE CSA	PRESSURE GAS REGULATOR
26	A/466/43	RUB ALLOG MICRO CUC VALV (40)R-SR	VALVE + S.V.
27	A/466/45	RUB ALLOG MICRO CUC VALV (64)TC	VALVE + S.V.
28	A/466/44	RUB ALLOG MICRO CUC VALV (52)P	VALVE + S.V.
29	A/466/57	RUB ALLOG MICRO CUC VALV (32) SR	VALVE + S.V.
30	A/492/01	TERM/COMM FORNO GAS-GRILL ELETTR L.IV48221708	THERM/SWITCH EL GRILL ON GAS OVEN
31	A/106/26	LAMPADA SPIA D.10 FAST 230 UL	PILOT LIGHT
32	S/086/77/08	CRUSCOTTO CUC UP90 (5T) INOX	CONTROL BOARD UP90 UL / ST ST
33	A/080/11	GEMMA SPIA D.10 ARANCIO INCASTRO	ORANGE WARNING LIGHT FOR SWITCH
34	A/491/03	TASTO PROGR EL145/EL2000 METAL T1/2T=10 G=14,5	PROGRAMMER BUTTON / ST ST COLOUR
35	A/102/09	INTERRUTTORE (PULS) MOTOV RADIAL UL	MOTOR FAN SWITCH
36	G/340/11/08	MANOPOLA MAJ-T GAS CUC INOX	GAS KNOB FOR MAJ-T COOKER / ST ST
37	G/371/11/08	MANOPOLA MAJ-T TERM GAS °F 1 VIA IN	GAS THERM KNOB MAJ COOKER / ST ST
38	G/362/11/08	MANOPOLA MAJ-T TERM/COMM INOX	THERM/COMM KNOB MAJ COOKER / ST ST
39	A/492/10/86	TERM GAS+MICRO 1 VIA CUC 90 (BP 62)	1 WAY GAS THERMOSTAT
40	A/401/15	MICROINT ACC TERM GAS USA	IGNITION SWITCH
41	A/401/10	MICROINT SIC GRILL EL FORNO GAS 15A	MICRO SWITCH
42	A/600/81	VITE BY PASS 0,72 (FORNO 90)	0,72 BY PASS SCREW FOR GAS VALVE
43	S/232/48	SQUADRETTA PORTA INTERBLOCCO + ACCENSIONE	MICROSWITCH HOLDER
44	A/065/02	DISTANZIALE PER CAMMA DIS 296	CAM SPACER (DWG. 296)
45	A/017/10	CAMMA MICRO VENT TANG FORNO GAS DIS 251	CAM FOR GAS OVEN COOLING FAN MICROS



<i>dis.</i>	<i>cod.</i>	<i>descrizione</i>	<i>description</i>
1	A/498/12	TUBO FLEX PROTEZIONE CAVI (3/4) UL	CONDUIT
2	S/212/64	PROLUNGA COPRISCH P-PD90 GAS USA	UP-UPD90 UPPER BACK EXTENSION
3	A/452/06	RACCORDO TUBO FLEX 90° 3/4" UL/CSA	CONNECTOR
4	A/404/05	MORSETTIERA FV273/7 7 POLI+TERRA UL	TERMINAL BOARD FV273/7
5	A/406/07	MOTOV TANG L=180 120V CLASSE H UL	COOLING FAN
6	S/128/41/08	LATERALE CUC PROFESS DX INOX	SIDE PANEL DX / ST ST
7	S/210/12/08	PROFILO CUC P90 DX INOX	PROFILE FOR P90 DX / ST.ST.
8	S/212/00	PROLUNGA LAT POST CUC APP/COMB 90	SIDE BACK EXTENSION FOR 90CM. COOKER
9	S/128/42/08	LATERALE CUC PROFESS SX INOX	SIDE PANEL SX / ST ST
10	S/036/83	COPRISCH CUC USA APP 80/90 G-E-M	BACK COVER UPRIGHT COOKER 80/90 UL
11	S/172/46	PARACALORE CUC 80/90 GAS MUF RIB	HEAT SHIELD FOR 80/90 GAS
12	S/148/45	LISTELLO FERMACUC P-PD90 POST INF	STRIP
13	S/024/50	CONV CUC 90 COMP/PROF MUFF RIB	AIR CONVEYER FOR 90CM COOKER UL
14	A/422/13	PIEDINO REGISTRABILE H 100-160	ADJUSTABLE FOOT H 100-160
15	S/234/12	STAFFA PER PIEDINI PD90/P120/P150 DX-SX	FEET STIRRUP FOR P90-P120-P150
16	S/210/14/08	PROFILO CUC P90 SX INOX	PROFILE FOR P90 SX / ST.ST.
17	S/149/72	LISTELLO PORTAG CASS QUADRA SX	LEFT STRIP
18	A/096/11	GUIDA INF/SUP SX CASS PC96 L=500	DRAWER GUIDE
19	S/012/20/10	CASSETTO CUC P80/90 MAT	P80/90 DRAWER
20	S/149/97	LISTELLO FERMACUC P80/90 PL ANT INF	STRIP
21	A/096/10	GUIDA INF/SUP DX CASS PC96 L=500	DRAWER GUIDE
22	S/149/71	LISTELLO PORTAG CASS QUADRA DX	RIGHT STRIP
23	S/150/04/08	MANIGLIONE PO SCA/CASS P90 INOX	HANDLE FOR FOOD WARMER (P90) / ST.ST.
24	S/196/13/08	PORTA SCALDAV/CASS T90 INOX	FOOD WARMER DOOR FOR T90 / ST ST
25	S/022/20	CONTROPORTA SCALDAV/CASS P90 MAT	FOOD WARMER INSIDE DOOR FOR P90

%{Titolo



Da n° serie: / From serial no. :	
4 *	09440585
12 *	09440585

<i>dis.</i>	<i>cod.</i>	<i>descrizione</i>	<i>description</i>
1	A/108/26	LANA DI VETRO SCHIENA FORNO 90 MULTAGU 80/20	FIBERGLASS OVEN BACK 90 MULTIFUNCTION
2	A/106/00	LAMPADA FORNO 110V	OVEN LIGHT 110V
3	G/406/00	MOTOVENTILATORE COMPL 240V 60HZ UL	COMPLETE FAN 230V
4	G/406/23	MOTOVENTILATORE COMPL 120V 60HZ UL	COMPLETE FAN 120V
5	S/008/35	CAMINETTO CUCINA USA PROFESS 90	PROFESSIONAL COOKER CHIMNEY
6	A/458/54	RESIST 2200W 230V GRILL 900G-GA NIP VDE UL	GRILL RESISTANCE 2200W 230V (900G-GA)
7	A/438/02	SUPPORTO RESIST SUP 900	RESISTANCE SUPPORT 900
8	A/108/12	LANA DI VETRO MANTELLO 90 1 ALL+AGU 60/17	FIBERGLASS MANTLE 900
9	A/092/43	GRIGLIA LAT FORNO MUFF CHIUSA 5 COR	OVEN SIDE GRILL
10	A/482/12	SUPPORTO GRIGLIA LAT. (FORNO)	GRILL SIDE SUPPORT (OVEN)
11	S/236/98	SUPPORTO MOTORIDUTTORE	SPIT GERED MOTOR HOLDER SUPPORT
12	A/406/03/02	MOTORID GIRARR (UL) 120V 60HZ	SPIT GEARED MOTOR 110V
13	A/406/03/01	MOTORID GIRARR (CE/UL) 230 50/60	SPIT GEARED MOTOR
14	A/436/02	PORTAL+LAMPADA 110V	OVEN LAMP HOLDER
15	S/038/09	COPRIMENTOLA 800/900 USA VG2 NERO	FAN COVER 90
16	A/452/10	RACCORDO OT T 3 VIE OT 3/8 + DADI PREDISP INNESTO TUBO E B	GAS TUBES CONNECTION
17	S/236/77	SUPPORTO TRASF ACC CUC PROFESSIONAL	EL. IGN. TRANSFORMER HOLDER FOR PROFESSIONAL COOKER
18	A/024/06	CARTONCINO ISOL NOMEX TRASF 4FUOCHI	NOMEX INSULATING CARD IGNITION TRANSFORMER
19	A/494/29	TRASFORMATORE ACC EL 2 FUOCHI UL	2 WAYS IGN TRANSFORMER
20	A/602/03	VITE ZIGR FERMAGR LAT MUFF CHIUSA	KNURLED SCREW SIDE GRILLS STOPPING
21	A/401/04	MICROINT SICUREZZA PORTA FORNO	SAFETY MICROSWITCH GAS OVEN DOOR
22	S/232/27	SQUADRETTA PORTA MICRO SIC PORTA FO	CLAMP
23	S/108/03	FERMA LANA DI VETRO SX 2002 APP MIC	FIBER GLASS STOP
24	S/190/06	PIASTRINA FERMA SQUADRETTA SUPPORTOMICRO SICUREZZA FORNI GA	
25	A/468/04	RULLINO+PORTARULL CERN TN (FARING)	RULLER
26	S/162/36/14	MUFFOLA 80/90 VG2 USA SM NERO	MUFFLE
27	S/108/08	FERMA LANA DI VETRO DX 2002	FIBER GLASS STOP
28	A/094/70	GUARN MUFF MATR 09154/A 900 CHIUSA	900 OVEN GASKET
29	A/482/28	SUPP BRUC FORNO VG H=17,5 2359481	OVEN BURNER HOLDER
30	A/014/13	BRUCIATORE FORNO VG/600 BOMBATO	OVEN BURNER
31	S/146/04	LECCARDA 80/90 NERO	ENAMELLED DRIPPING PAN 80/90
32	A/480/02	SPIEDO FORNO 8/900 TRASV L=565MM	TRANSVERSE SPIT 800/900
33	A/092/39	GRIGLIA FORNO 90X60 RINFORZATA USA	OVEN GRID
34	S/230/16	SOTTOFORNO 80/90 COMPL VG2 USA NERO	OVEN BOTTOM 80/90 E/M
35	S/091/17	DEFLETTORE FONDO MUFF 80/90 VG2 USA	DEFLECTOR
36	S/228/08	SOTTOFONDO 900 VG USA	GAS OVEN BOTTOM 900 UL
37	A/482/10	SUPP GIRAR DIS 167 FORNO/CUCINA 90	SPIT SUPPORT 90X60
38	A/018/22	CANDELA BRUC FORNO CAVO=MM1750	GAS OVEN PLUG m/m 1400
39	A/498/10	ACCENDINO LAT BRUC FORNO	BURNER IGNITION PIPE
40	S/236/14	SUPPORTO PORTAINIETTORE FORNI VG	INJECTOR HOLDER SUPPORT
41	A/490/16	TERMOCOPPIA 180 CM FO VENT GAS	THERMOCOUPLE
42	S/239/02	TUBO D'ONDA DOPPIO BRUC VG2 USA	BURNERS CONNECTOR
43	A/062/28	DADO BICONO 10 MM	NUT 10 mm
44	A/062/32	DADO DIS 247 FISSAGGIO BRUC FORNO	NUT DWG. 247 FIX OVEN BURNER
45	A/434/02	PORTAINIETT A GOMITO BRUC FORNO	INJECTOR HOLDER OVEN BURNER
46	A/004/00	BICONO FORNI 10 MM	OVEN NUT 10 mm