

# PROFESSIONAL PLUS

*Professional Plus immediately states its vocation as a range, designed and made for the most demanding, skilled user. Its professional look is enhanced by its steel frame, offering burners rated up to 15,500 BTU/h. It is a fully fledged professional range for the domestic market.*



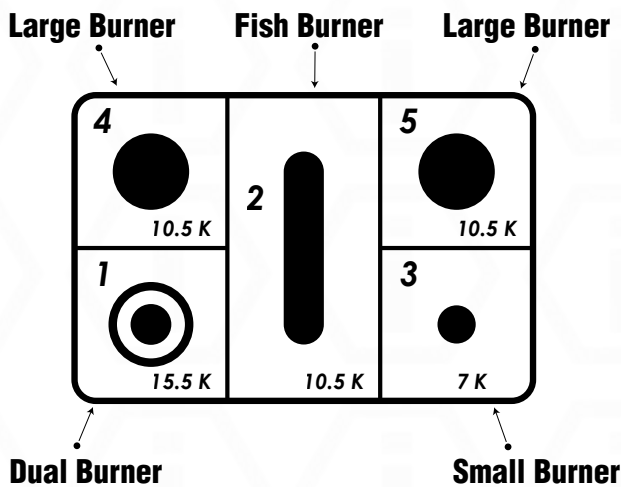
**UPDW1006DM**
*40" Freestanding Dual Fuel Range with 6 Sealed Burners*


COOKTOP	
Fuel Type	Natural Gas / Liquid Propane
Burners/Elements	6 Sealed Burner
Surface	Deep Recessed Cooktop
Control	Knobs on Front Side
Grate Type	Cast Iron Grate

Oven	
Fuel	Electric Oven
Door Type	Removable Triple Layer Glass Door
Convection	Yes
Control Type	Knobs
Cleaning Type	Catalytic Oven Panel (Sold Separately)
Light(s)	Yes
Rack Holders	Plain
Soft Close Door	No
Broiler	Yes
Child Safety Lock	No
Timer	Yes
Built-in Thermostat	Yes
Internal Food Thermometer	No

INCLUDED	
Range Hood	No
Power Cord	Yes
Grates	Yes
Griddle	No
Legs	Yes
Backsplash	Yes
Conversion Kit	Yes
Oven Racks	Yes
Oven Trays	Yes
Rotisserie	Yes
Gas Regulator	Yes
User Manual	Yes

POWER	
Voltage	240 Volts
Amperage	40 Amps
Hertz	60 Hertz
Power Cord Type	Hard Wire - 4 wire
Power Cord Length	45 11/16 inch / 116 cm



MISCELLANEOUS	
Warranty	2 Years Limited Warranty
Range Weight	253 lbs
Shipping Weight	273 lbs
Shipping Dimensions	40 15/16 inch W x 33 15/16 inch H x 29 8/16 inch D



**OVERALL DIMENSION**

Overall Width (A)	39 6/16 inch / 100 cm
Overall Height without Backsplash (G)	39 9/16 inch / 100.5 cm
Overall Height with Backsplash (G1)	41 15/16 inch / 106.5 cm
Overall Depth without Handles (Q)	23 10/16 inch / 60.08 cm
Overall Depth with Handles (Q1)	26 2/16 inch / 66.3 cm

**COOKTOP**

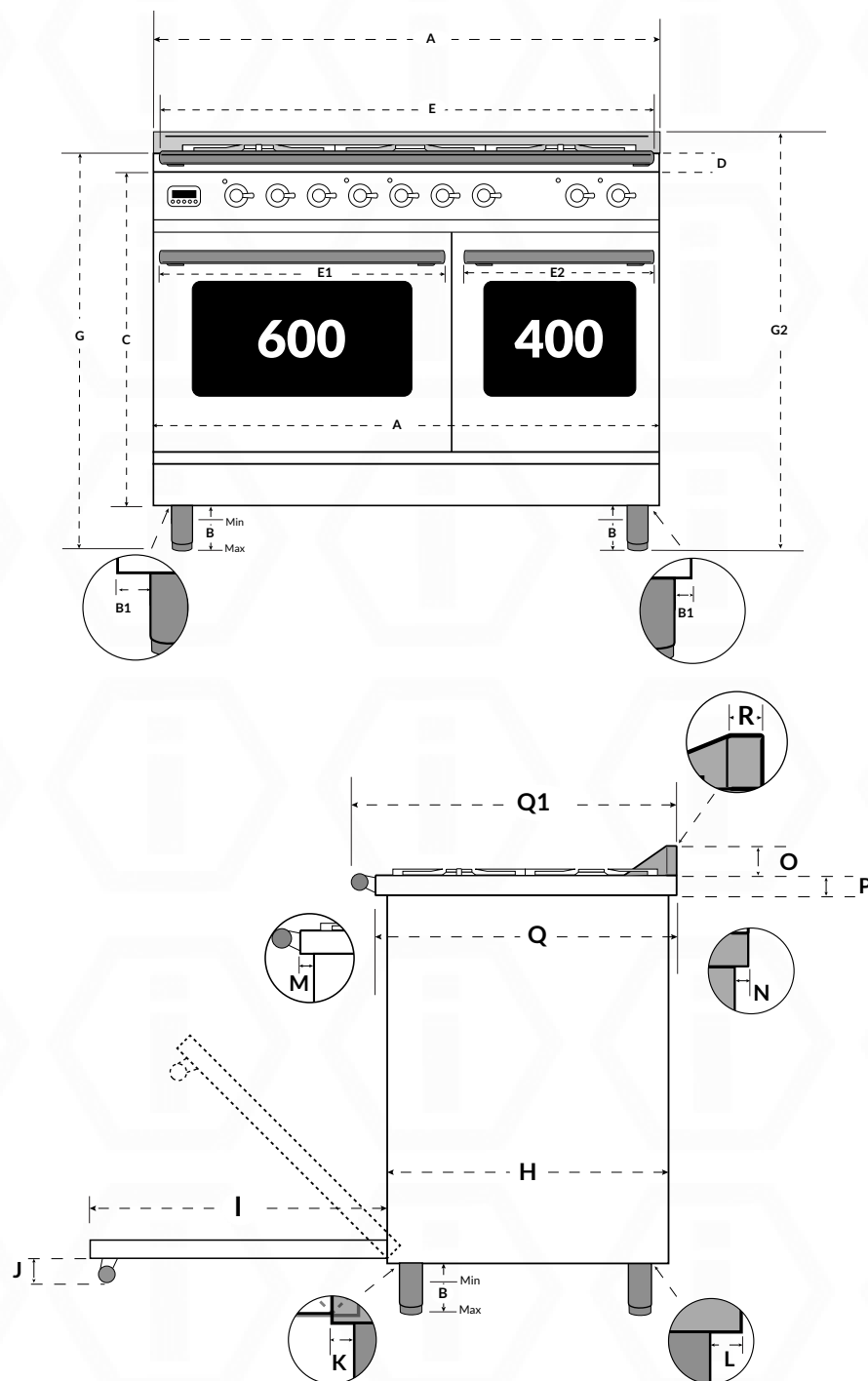
Cooktop Width (A)	39 6/16 inch / 100 cm
Cooktop Height (D) (P)	1 9/16 inch / 4 cm
Overall Depth without Handles (Q)	23 10/16 inch / 60 cm
Overall Depth with Handles (Q1)	26 2/16 inch / 66.3 cm
Cooktop Front Lip Depth over Range (M)	9/16 inch / 1.5 cm
Cooktop Back Lip Depth over Range (N)	1 6/16 inch / 3.5 cm
Cooktop Handrail Length (E)	34 10/16 inch / 88 cm

**RANGE BODY**

Range Width (A)	39 6/16 inch / 100 cm
Range Height (C)	27 15/16 inch / 71 cm
Range Depth (H)	21 10/16 inch / 55 cm
Handle Length (E1)	21 1/16 inch / 53.5 cm
Handle Length (E2) (if applicable)	16 2/16 inch / 41 cm
Backsplash Width (A)	39 6/16 inch / 100 cm
Backsplash Height (O)	2 6/16 inch / 6 cm
Backsplash Depth (R)	9/16 inch / 1.5 cm
Power Cord Start Position	From range's rear exterior bottom - 8 4/16 / 21 cm; From range's rear exterior left - 22 1/16 / 56 cm
Gas Connector Position	From range's rear exterior bottom - 3 2/16 / 8 cm; From range's rear exterior right - 8 11/16 / 22 cm

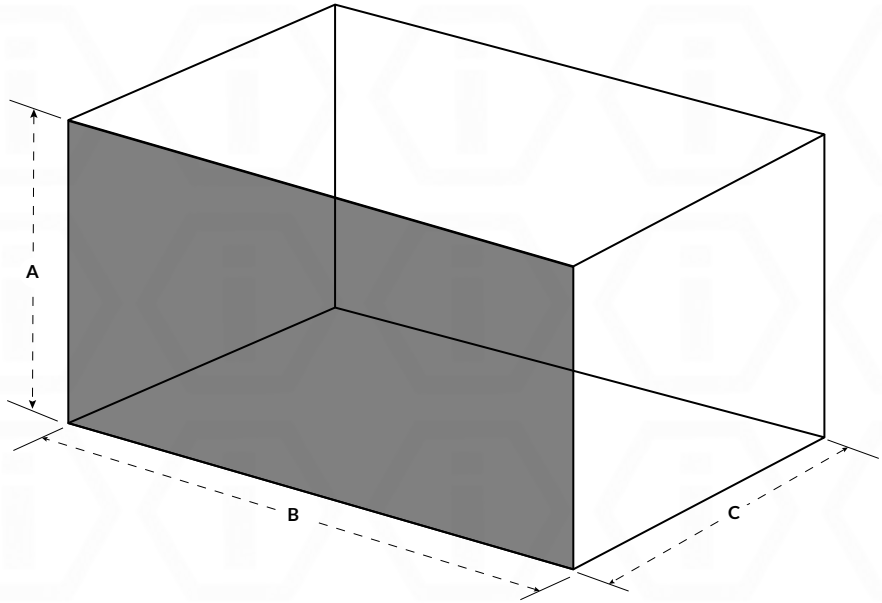
**LEGS**

Range Leg Type	4 / Cylinder Leg
Range Leg Min Height (B min)	6 2/16 inch / 15.5 cm
Range Leg Max Height (B max)	10 1/16 inch / 25.5 cm
Depth From Side (B1)	8/16 inch / 1.2 cm
Depth From Front (K)	1 10/16 inch / 4.2 cm
Depth From Back (L)	8/16 inch / 1.2 cm



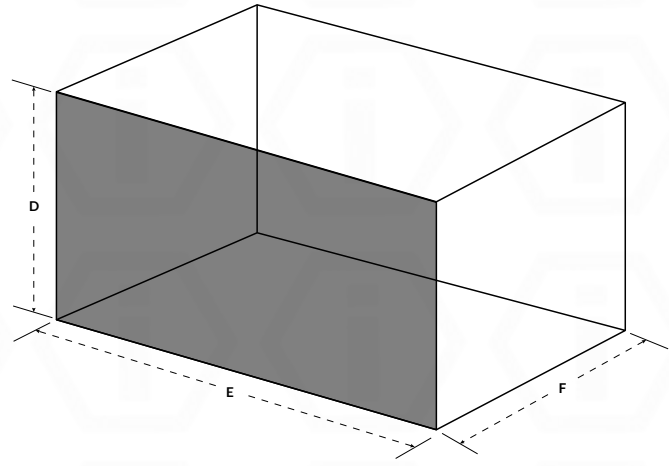
### MAIN OVEN

Capacity	2.44 cu.ft.
Convection	Yes - In Main Oven
Door Depth Open 90°	15 6/16 inch / 39 cm
Interior Width (Actual) <b>(B)</b>	17 5/16 inch / 44 cm
Interior Height (Actual) <b>(A)</b>	13 3/16 inch / 33.5 cm
Interior Depth (Actual) <b>(C)</b>	17 5/16 inch / 44 cm
Interior Width (Usable)	15 9/16 inch / 39.5 cm
Interior Height (Usable)	13 3/16 inch / 33.5 cm
Interior Depth (Usable)	17 5/16 inch / 44 cm
Height between racks	1 9/16 inch / 4 cm
Height between lowest and highest rack	7 14/16 inch / 20 cm
Lights	1 LED
Broiler	900W
Racks / Trays	2 Racks / 1 Tray
Rotisserie	No



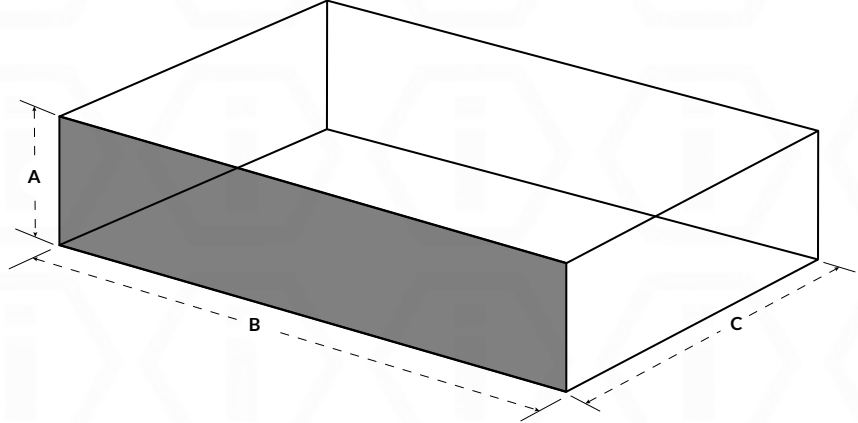
### SECONDARY OVEN

Capacity	1.54 cu.ft.
Convection	-----
Door Depth Open 90°	15 6/16 inch / 39 cm
Interior Width (Actual) <b>(E)</b>	14 inch / 35.5 cm
Interior Height (Actual) <b>(D)</b>	13 3/16 inch / 33.5 cm
Interior Depth (Actual) <b>(F)</b>	17 5/16 inch / 44 cm
Interior Width (Usable)	12 inch / 30.5 cm
Interior Height (Usable)	13 3/16 INCH / 33.5 CM
Interior Depth (Usable)	17 5/16 inch / 44 cm
Height between Rack	1 9/16 inch / 4 cm
Height between lowest and highest rack	7 14/16 inch / 20 cm
Lights	1 LED
Broiler	850W
Racks / Trays	2 Racks
Rotisserie	Yes



### STORAGE

Type	Storage
Height <b>(A)</b>	3 2/16 inch / 8 cm
Width <b>(B)</b>	33 7/16 inch / 85 cm
Depth <b>(C)</b>	16 2/16 inch / 41 cm



AVAILABLE COLORS

CLICK COLORS  
TO SEE VARIATIONS

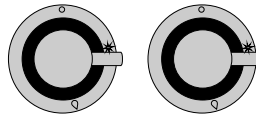
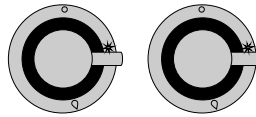
\*Colors are available for every range.

TRIMS & HARDWARE OPTIONS

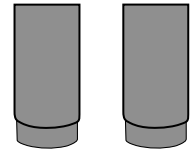
HANDRAILS

KNOBS

LEGS



STANDARD

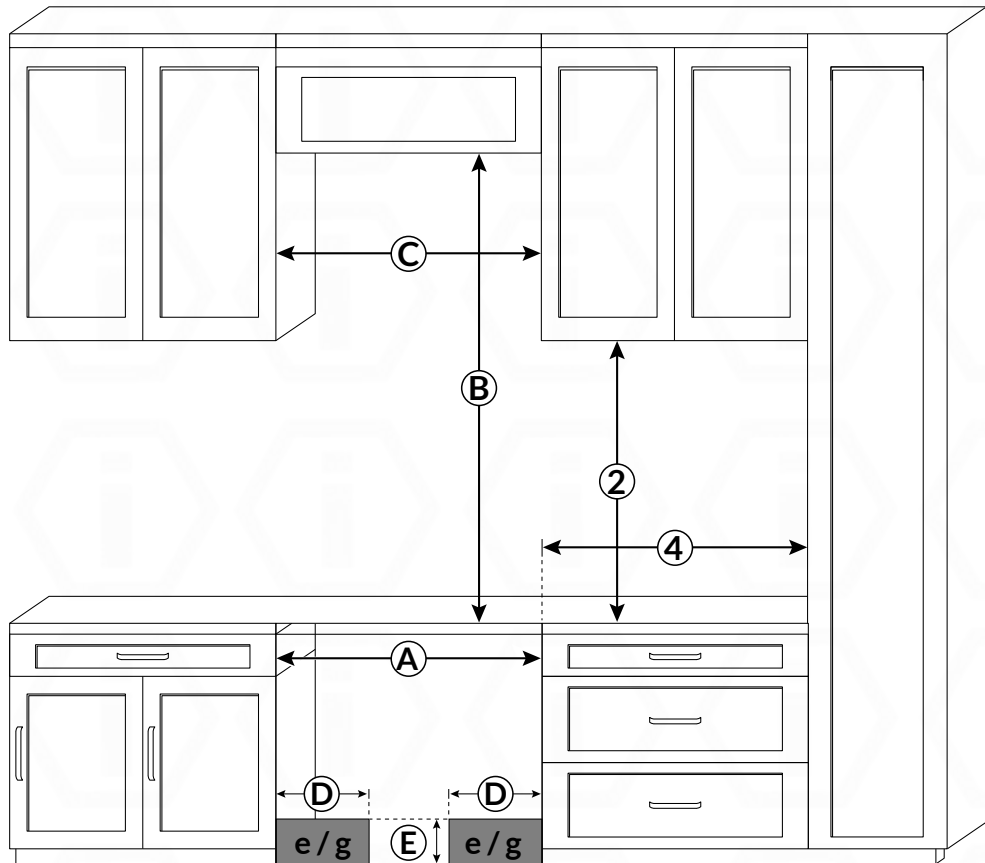
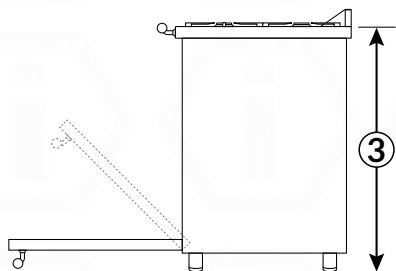
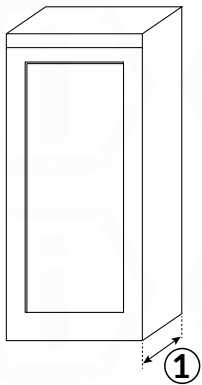


OPTIONAL \*Sold Separately



Decorative Scroll Claw Legs

DIMENSIONS	DESCRIPTION
<b>1</b> 14 inch / 336 mm	Recommended depth of top cabinet
<b>2</b> 18 inch / 547 mm	Minimum distance from countertop to bottom edge of cabinet
<b>3</b> 35 1/2 inch-37 inch / 901mm-940 mm	Distance from the floor to cooktop surface
<b>4</b> 12 inch / 305 mm	Minimum cabinet distance to cooktop surface
<b>A</b> 39 7/16 inch / 100.20 cm	Width of cabinet opening
<b>B</b> 28 inch / 71.12 cm to 32 inch / 81.28 cm	Minimum distance between the top of the cooking surface and bottom of a range hood (check the hood's spec sheet for details)
<b>C</b> 39 7/16 inch / 100.20 cm	Width of the hood area
<b>D</b> Approx. 10 13/16 inch / 274 mm	Maximum distance for utility connection from either side
<b>E</b> Approx. 4 1/2 inch / 115 mm	Maximum connection height from floor
<b>G</b> Approx. 2 13/16 inch / 72 mm	Maximum connection depth from floor



The shaded area represents the installation area for the connections  
**e** = Electrical connection  
**g** = Gas connection

One fuel type per side

FOLLOW US ON SOCIAL MEDIA

