

**ILVE S.p.a.**

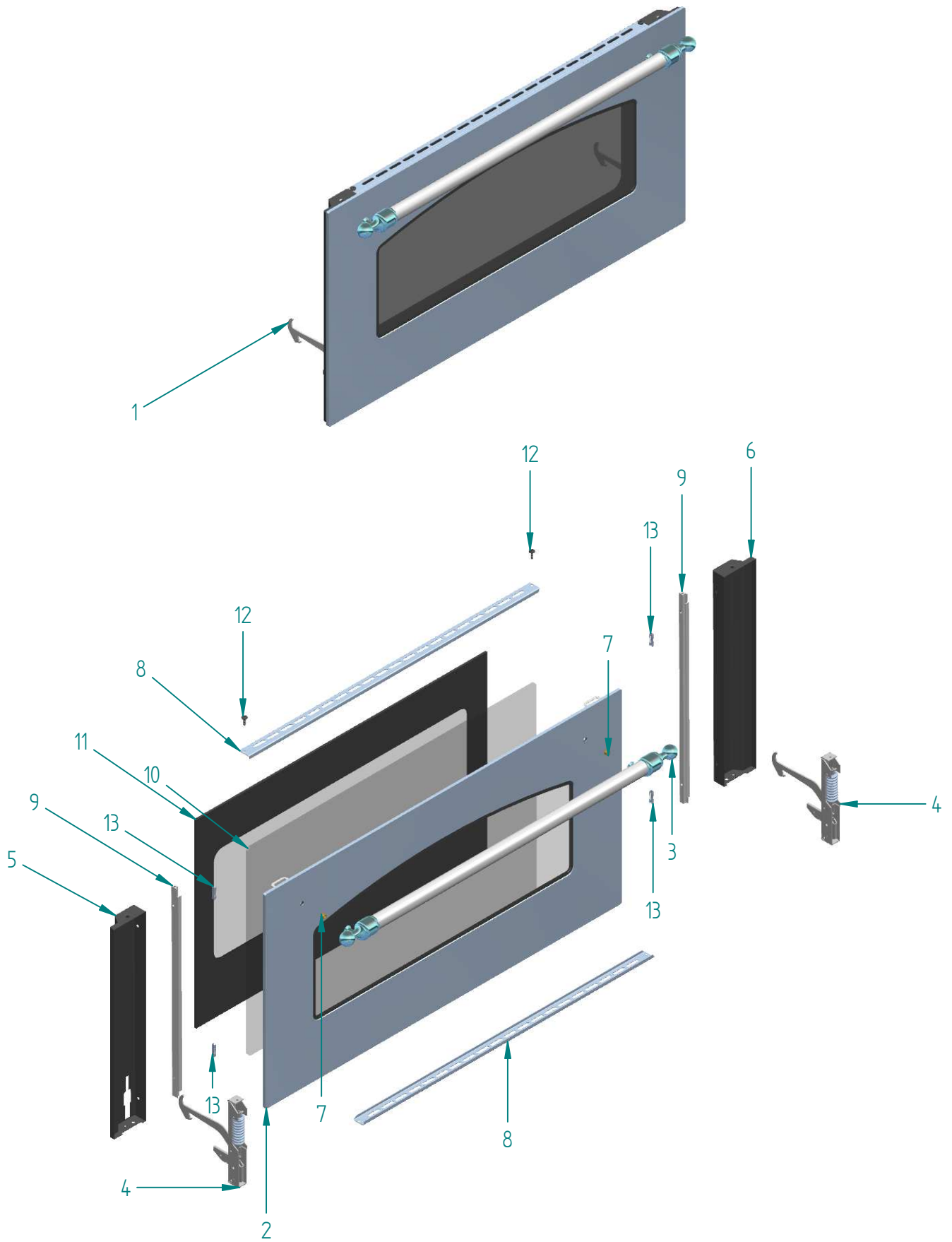
UPN120FDMP

UPN120FDMP

04/01/2017



 **ILVE**  
made in italy

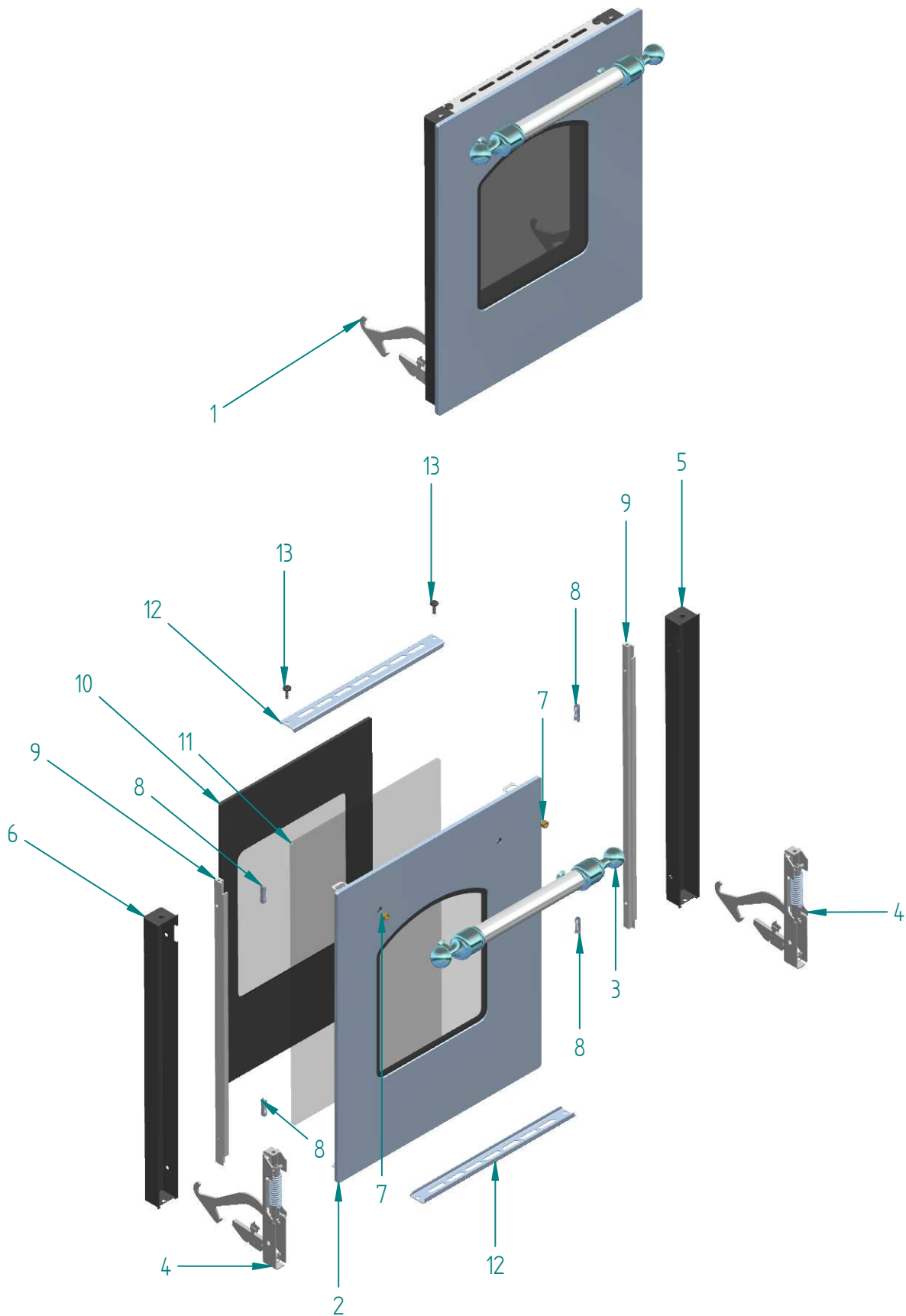


# ILVE S.p.a.

UPN120FDMP

04/01/2017

Num	Nome file	Cod	Descrizione	Inglese	Qtà
1	UG774\$\$\$\$.pwd	UG/774/\$\$/\$\$	PORTA COMPL 3V UPN90	TRIPLE GLASS DOOR UPN90	1
2	G50509\$\$\$.pwd	G/505/09/\$\$	VETRO+PO 900N 3V	INSIDE DOOR GLASS	1
3	615.pwd	A/116/27/\$\$	MAN/CORRIM MAJEST D=22 I=625	MAJESTIC CHROME HADLE D=22 I=625	1
4	A02845.pwd	A/028/45	CERNIERA POR FO 90 3V (FARINGOSI)	90 OVEN DOOR HINGES	2
5	L3071.par	S/022/29/14	CONTROPORTA FO 600/800 LAT SX NERO	LEFT INSIDE DOOR FOR 600/800OVEN	1
6	L3072.par	S/022/28/14	CONTROPORTA FO 600/800 LAT DX NERO	RIGHT INSIDE DOOR FOR 600/800OVEN	1
7	347.par	A/065/00	DISTANZIALE OT H=5,5 MANIGLIA POR	BRASS SPACER FOR HANDLE	2
8	L2915.psm	S/120/06/08	FERMAVETRO PO 80/90 TR VET INOX USA	GLASS STOP	2
9	694.par	A/445/23	PROFILO GUIDA TRIPLO VETRO PORTA	TRIPLE GLASS DOOR GUIDE PROFILE	2
10	693.par	A/504/86/85	VETRO INTERM PORTA 900 TR VETRO	DOOR GLASS	1
11	692.par	A/504/86/86	VETRO INTERNO PORTA 900 TR VETRO	INNER DOOR GLASS	1
12	077.par	A/602/02	VITE ZIGR FERMAV/FERMAGR LAT FORNO	KNURLED SCREW FOR HOLDING GLASS	2
13	762.par	A/402/13	MOLLA (CLIP FISSAGGIO) VETRO INTERM	SPRING	4

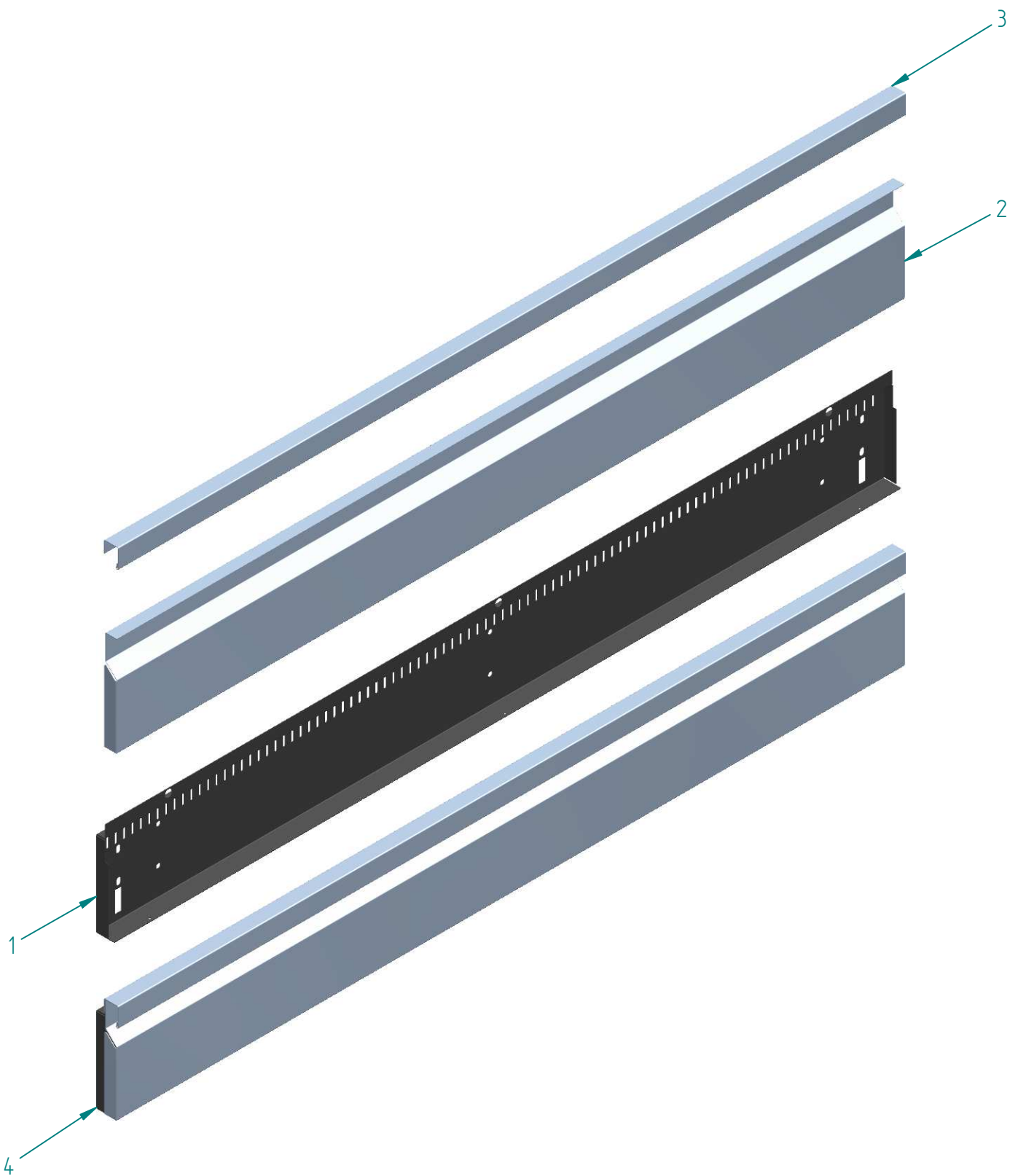


# ILVE S.p.a.

UPN120FDMP

04/01/2017

Num	Nome file	Cod	Descrizione	Inglese	Qtà
1	UG768\$\$\$\$.pwd	UG/768/\$\$/\$\$	PORTA COMPL 3V 30 PDN90 USA	TRIPLE GLASS DOOR PDN90	1
2	G50505\$\$\$.pwd	G/505/05/\$\$	VETRO+PO D900N/PD90N 3V 30	INSIDE DOOR GLASS	1
3	613.pwd	A/116/25/\$\$	MANIGLIONE MAJEST D=22 I=195	MAJESTIC CHROME HADLE D=22 I=195	1
4	A02846.pwd	A/028/46	CERNIERA POR FO SCV+30L/FASCE 3V	OVEN DOOR HINGES	2
5	L3073.par	S/022/30/14	CONTROPORTA FO 30/40 LAT DX NERO	RIGHT INSIDE DOOR FOR 30/40OVEN	1
6	L3074.par	S/022/31/14	CONTROPORTA FO 30/40 LAT SX NERO	LEFT INSIDE DOOR FOR 30/40OVEN	1
7	347.par	A/065/00	DISTANZIALE OT H=5,5 MANIGLIA POR	BRASS SPACER FOR HANDLE	2
8	762.par	A/402/13	MOLLA (CLIP FISSAGGIO) VETRO INTERM	SPRING	4
9	694.par	A/445/23	PROFILO GUIDA TRIPLO VETRO PORTA	TRIPLE GLASS DOOR GUIDE PROFILE	2
10	749.par	A/504/85/82	VETRO INTERNO PORTA 30 TR VETRO	INNER DOOR GLASS	1
11	750.par	A/504/85/81	VETRO INTERM PORTA 30 TR VETRO	DOOR GLASS	1
12	L2916.psm	S/120/07/08	FERMAVETRO PO 30 TR VET INOX USA	GLASS STOP	2
13	077.par	A/602/02	VITE ZIGR FERMAV/FERMAGR LAT FORNO	KNURLED SCREW FOR HOLDING GLASS	2

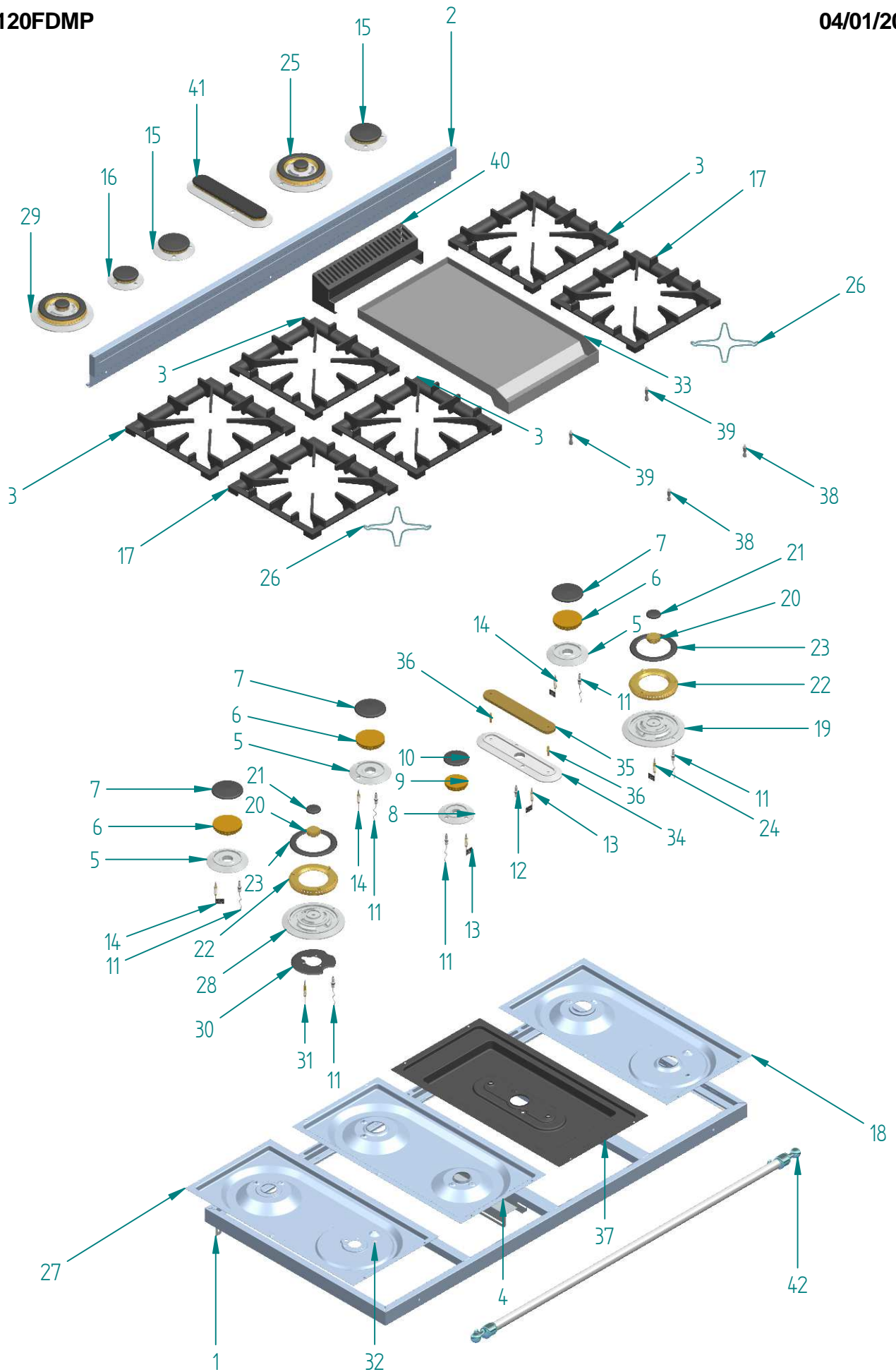


# ILVE S.p.a.

UPN120FDMP

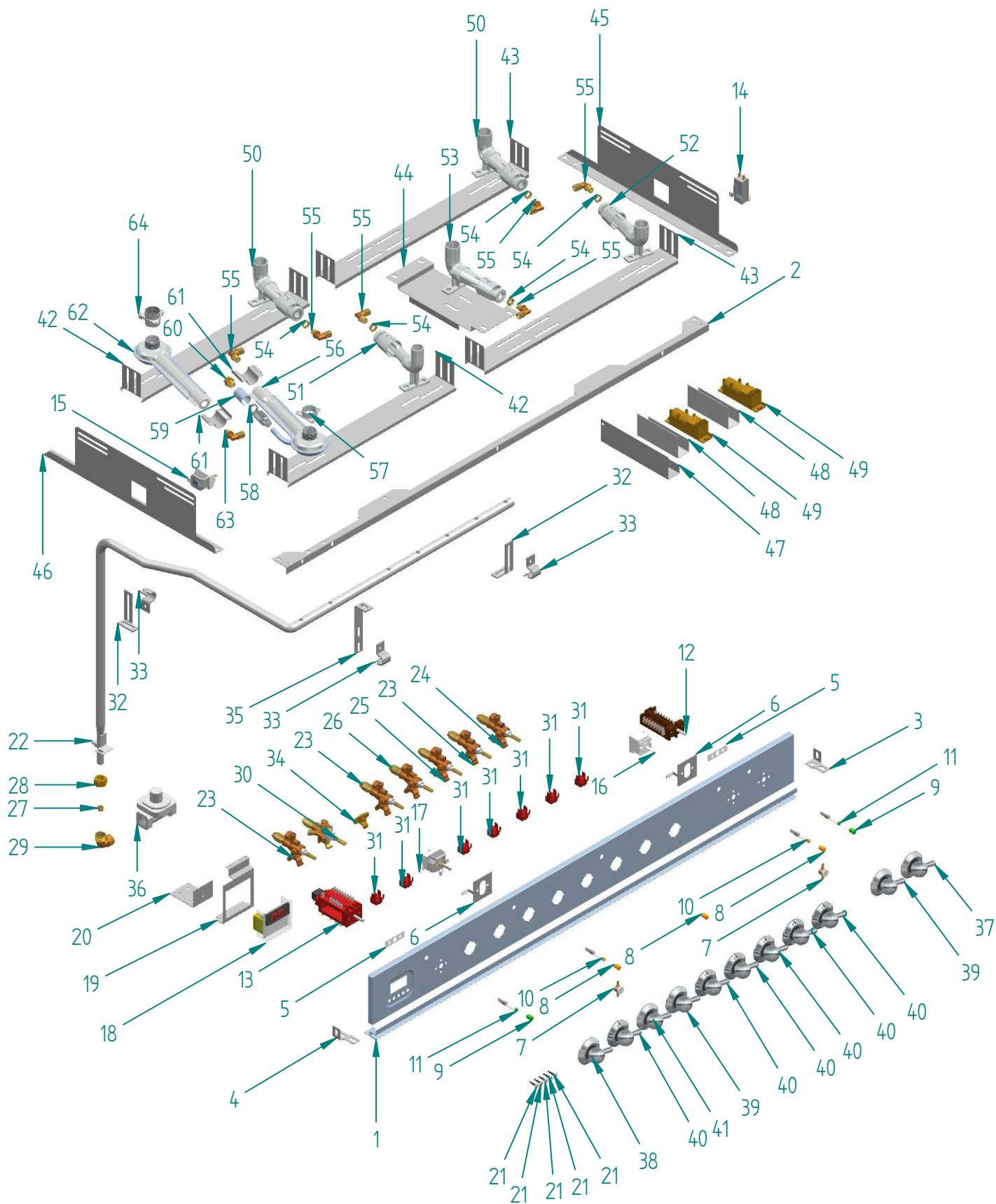
04/01/2017

Num	Nome file	Cod	Descrizione	Inglese	Qtà
1	L1927.psm	S/022/22	CONTROPORTA SCALDAV/CASS P120 MAT	WARMER FOOD INSIDE DOOR	1
2	L1648.psm	S/196/15/\$\$	PORTA SCALDAV/CASS T120	FOOD WARMER INSIDE DOOR	1
3	L1943.psm	S/150/06/\$\$	MANIGLIONE PO SCA/CASS P120	WARMER FOOD DOOR HANDLE	1
4	G084\$.pwd	G/084/\$\$	FRONTALE COMPL CASS P120 PLUS	P120 PLUS DRAWER FRONT	1





Num	Nome file	Cod	Descrizione	Inglese	Qtà
1	L3670USA.par				1
2	L3183.pwd	S/002/27	ALZATINA CUCINA USA P120	SPLAS BACK FOR P12	1
3	366.par	A/092/78/10	GRIGLIA PROFESS 60 FORO 80 285X280	PROFESSIONAL GRILL HOB/COOK	4
4	L3212.par	S/216/12/08	RACCOGLIG P60-P665 2F INOX	DRIP CATCHER	1
5	A4881191.par	A/488/11/91	TAZZINA P C GRANDE (2 FORI)	HOB COOKER LARGE	3
6	326.par	A/478/12/90	SPARTIFIAMMA GRANDE	LARGE FLAME DIFFUSER	3
7	721.par	A/048/02/10	COPRISPART GRANDE (S2) RAF MAT 3F	LARGE FLAME DIFFUSER COVER	3
8	A4881193.par	A/488/11/93	TAZZINA P C PICCOLA (2 FORI)	HOB COOKER SMALL	1
9	325.par	A/478/12/92	SPARTIFIAMMA PICCOLO	SMALL FLAME DIFFUSER	1
10	722.par	A/048/06/10	COPRISPART PICCOLO (S1) RAF MAT 3F	SMALL FLAME DIFFUSER COVER	1
11	A01804.par	A/018/04	CANDELA ACC.(CAVO=MM600 H=MM28)	IGNITION PLUG MM600	6
12	A01802.par	A/018/02	CANDELA ACC.(CAVO=MM400 H=MM28)	IGNITION PLUG MM400	1
13	A49003.par	A/490/03	TERMOCOPPIA BIFIL 45CM M8X1	THERMOCOUPLE 45	2
14	A49017.par	A/490/17	TERMOCOPPIA BIFIL 70CM M8X1	THERMOCOUPLE 70	3
15	KBR003.pwd	KBR003	KIT BRUC RAP PIANO/CUC PROF 2 FORI	COMPLETE RAP BURNER (2 HOLES)	2
16	KBR004.pwd	KBR004	KIT BRUC SEM RAP PIA/CUC PRO 2 FORI	COMPLETE SMALL RAP BURNER (2 HOLES)	1
17	365.par	A/092/80/10	GRIGLIA PROFESS 60 FORO 120 285X280	PROFESSIONAL GRILL HOB/COOK. 60 CM	2
18	L3211.par	S/216/13/08	RACCOGLIG P60-P665 1F+TC INOX	DRIP CATCHER 1 RING + DOUBLE RING P	1
19	A48823.pwd	A/488/23	TAZZINA TC (2 FORI)	TRIPLER RING CUP+IGN+S.V. HOLES	1
20	923.par	A/478/17	SPARTIFIAMMA TC AUSILIARIO +INDEX	TR RING SMALL FLAME DIVIDER (INDEX)	2
21	723.par	A/048/07/10	COPRISPART TC AUX RAF MAT 3F	FLAME DIFFUSER COVER	2
22	1018.par	A/478/21	SPARTIFIAMMA TC GRANDE 1 V/DUAL +P	NEW TRIPLE RING BIG FLAME DIVIDER	2
23	1019.par	A/048/09/10	COPRISPART TC GR 1V/DUAL RAF MAT 3F	FLAME DIFFUSER COVER	2
24	A49019.par	A/490/19	TERMOCOPPIA BIFIL TC 45CM M8X1	THERMOCOUPLE 45	1
25	KBR014.pwd	KBR014	KIT BRUC TRIPLA COR SPART C/PIOLI	COMPLETE TR RING BURNER	1
26	A09252.par	A/092/52	RIDUZIONE FUOCHI FILO CROMATO	ADAPTATION CHROME WIRE HOLES	2
27	L3283.par	S/216/30/08	RACCOGLIG P60D-HP665 1F+TC INOX	DRIP CATCHER 1 RING + DOUBLE RING P	1
28	A48824.pwd	A/488/24	TAZZINA TC DUAL	TRIPLER RING CUP	1
29	KBR013.pwd	KBR013	KIT BRUC TRIPLA CORONA DUAL	COMPLETE TR RING BURNER (2 HOLES)	1
30	L3894.par	S/091/28	DISCO PROTEZIONE TC CUC DUAL/XLP90	PROTECTION DISK	1
31	A49018.par	A/490/18	TERMOCOPPIA BIFIL DUAL 95CM M8X1	THERMOCOUPLE 95	1
32	331.par	A/602/15	VITE AL COPRIFORO TERMOCOPPIA	SCREW	1
33	629.par	A/419/01	PIASTRA FRY TOP PROFESSIONAL	PROFESSIONAL FRY TOP PLATE	1
34	A48813.par	A/488/13	TAZZINA PESCIERA (2 FORI)	FISH BURNER CUP+IGN+S.V. HOLES	1
35	327.par	A/478/08	SPARTIFIAMMA PESCIERA	FISH BURNER BRASS FLAME DIFFUSER	1
36	304.par	A/602/42	VITE PESCIERA 8X26XM6 OTTONE	FISH BURNER SCREW	2
37	L1074.psm	S/216/16/14	RACCOGLIG FRY TOP SMALT NERO	DRIP CATCHER FOR PROFESS FRY TOP	1
38	A41404.par	A/414/04	PERNO CORTO INN PIA (APP)+FRY TOP	SHORT COOKTOP PIN	2
39	A41406.par	A/414/06	PERNO LUNGO INN PIA(INC/COMB)+FRY T	LONG COOKTOP PIN	2
40	L3128.psm	S/008/33/14	CAMINETTO FRY TOP PROFESS SMALT	FRY TOP CHIMNEY	1
41	KBR002.pwd	KBR002	KIT BRUC PESCIERA 2 FORI	COMPLETE FISH BURNER (2 HOLES)	1
42	AMC-120.pwd	AMC-120	CORRIMANO FRONTALE M120 I=955	FRONT HANDRAIL	1



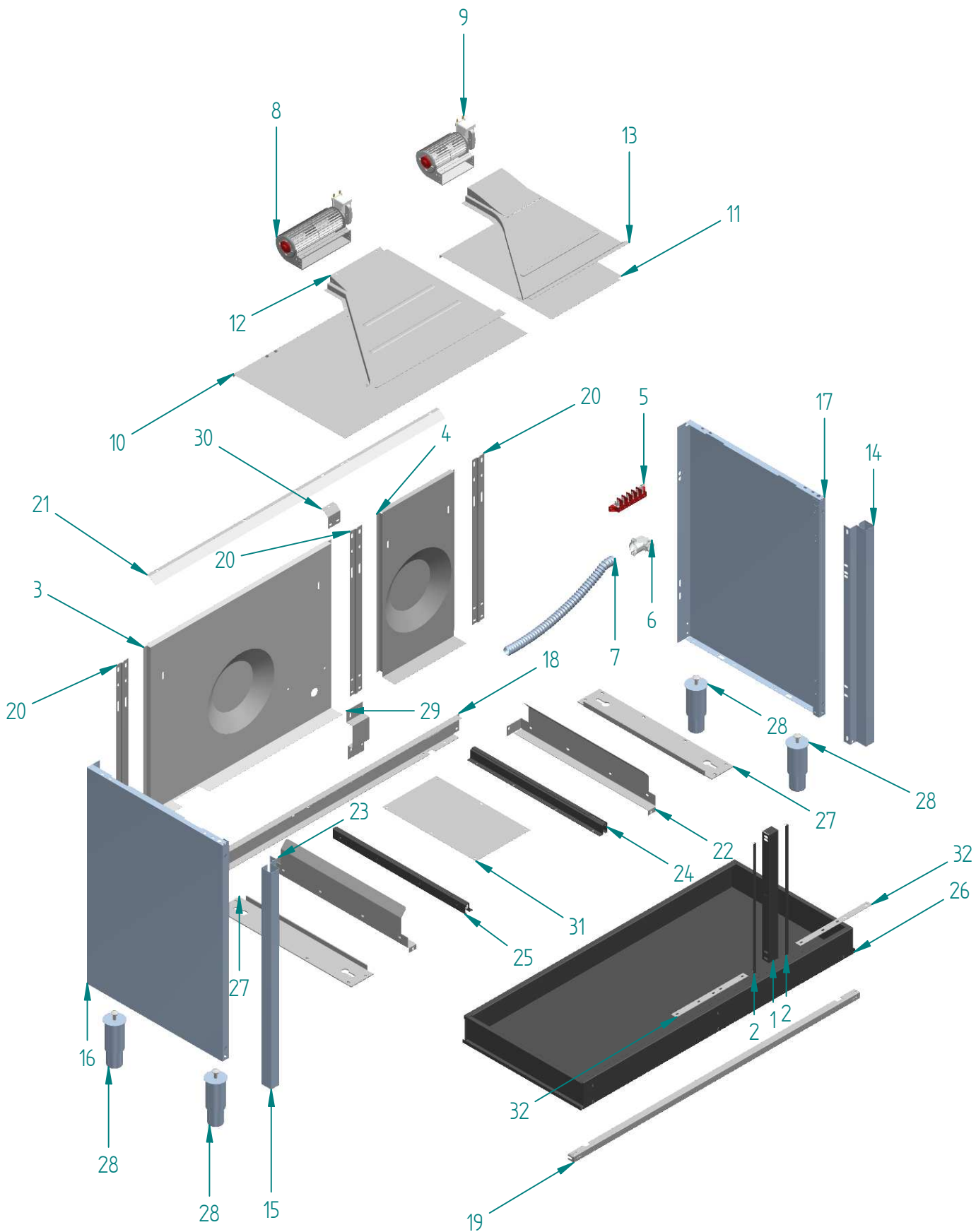
# ILVE S.p.a.

UPN120FDMP

04/01/2017

Num	Nome file	Cod	Descrizione	Inglese	Qtà
1	L3168.pwd	S/086/73/\$\$	CRUSCOTTO CUC UP120F (5T)	CONTROL BOARD UP120F (5T)	1
2	L0111.psm	S/148/13	LISTELLO FERMA CRUSCOTTO P120	CONTROL BOARD STRIP P120	1
3	L2667DX.par	S/232/61	SQUADRETTA F CRU DX CUC 60/80/PD CH	RIGHT BRACKET 60/80/PD CH	1
4	L2667.psm	S/232/62	SQUADRETTA F CRU SX CUC 60/80/PD CH	LEFT BRACKET 60/80/PD CH	1
5	L1048.par	S/231/02	SPESSORE COMM E TERM	THICKNESS E TERM	2
6	L1759.par	S/237/06	SUPPORTO TERMOREG 50°C CUC GAS+FOR	SAFETY THERMOSTAT HOLDER	2
7	A49237_.par	A/492/37	TERMOREG SIC NA 50°C UL	SAFETY THERMOSTAT	2
8	A08011.par	A/080/11	GEMMA SPIA D.10 ARANCIO INCASTRO	ORANGE WARNING LIGHT FOR SWITCH	3
9	A08012.par	A/080/12	GEMMA SPIA D.10 VERDE INCASTRO	GREEN WARNING LIGHT FOR SWITCH	2
10	A10626.par	A/106/26	LAMPADA SPIA D.10 FAST 230 UL	PILOT LIGHT	2
11	A10627.par	A/106/27	LAMPADA SPIA D.10 FLUOR 230 UL	FLUORESCENT PILOT LIGHT	2
12	A03404.par	A/034/04	COMMUT FORNO ELETTRICO	ELECTRIC OVEN SWITCH	1
13	A03411.par	A/034/11	COMMUT FORNO MULTIF+MICRO LUCI PUSH	MULTIF OVEN SWITCH+MICRO SWITCH	1
14	A49234.par	A/492/34	TERMOSTATO SIC FO EL STAT UL	ELECTRIC OVEN THERMOSTAT	1
15	A49235.par	A/492/35	TERMOSTATO SIC FO EL MULT UL	ELECTRIC OVEN THERMOSTAT	1
16	A49204.par	A/492/04	TERMOSTATO FORNO ELETTRICO	ELECTRIC OVEN THERMOSTAT	1
17	A49206.par	A/492/06	TERMOSTATO FORNO MULTIFUNZIONE	MULTIF OVEN THERMOSTAT	1
18	A44642.par	A/446/42	PROGR EL145 5T BIPO UL 50/60HZ 230V	ELETTRONIC PROGRAMMER EL145	1
19	L0366.psm	S/236/63	SUPPORTO PROGR EL145 (5 TASTI) CUC	PROGRAMMER HOLDER (EL145) FOR COOKER	1
20	L2650.psm	S/232/33	SQUADRETTA BLOCC PR/CON CUC MUF RIB	STOP BRACKET	1
21	A491\$\$\$\$.par	A/491/\$\$	TASTO PROGR EL145/EL2000	PROGRAMMER BUTTON EL145/EL2000	5
22	938.par	A/454/88	RAMPA CUCINA P1207+1 PRESA PRESS	RAMP	1
23	A46643.par	A/466/43	RUB ALLOG MICRO CUC VALV (40)R-SR	VALVE + S.V	3
24	A46645.par	A/466/45	RUB ALLOG MICRO CUC VALV (64)TC	VALVE + S.V	1
25	A46644.par	A/466/44	RUB ALLOG MICRO CUC VALV (52)P	VALVE + S.V	1
26	A46657.par	A/466/57	RUB ALLOG MICRO CUC VALV (32) SR	VALVE + S.V	1
27	A00400.par	A/004/00	BICONO FORNI 10 MM	HOSE NUT	1
28	A06220.par	A/062/20	DADO 1/2 D.14 RACCORDO PORTAGOMMA	NUT HOSETAIL S.436/4	1
29	A45204.par	A/452/04	RACC CURVO PORTAG (SIRAL) 1/2" PO-	HOSETAIL COUPLING (SIRAL)	1
30	A46661.par	A/466/61	RUB ALLOG MICRO CUC VALV DUAL TC	VALVE + S.V.	1
31	A40114.par	A/401/14	MICROINT ACC RUB SABAF CUC	IGNITION SWITCH	7
32	L2597.psm	S/232/63	SQUADRETTA FERMAR CU/FO 30/10 ZN CH	BRACKET CU/FO 30/10	2

34	A42016.par	A/420/16	PIASTRINA OTTONE COPRI FORO RAMPA	BRASS PLATE COVER RAMP HOLE	1
35	L1464.psm	S/232/05	SQUADRETTA FERMAR CUCINE (LUNG)ELZN	BRACKET	1
36	A43700.par	A/437/00	STABILIZZATORE PRESSIONE CSA	PRESSURE GAS REGULATOR	1
37	G30110\$.pwd	G/301/10/\$\$	MANOPOLA MAJ COMM FORNO "E"	ELECTR OVEN SWITCH MAJ KNOB "E"	1
38	G30310\$.pwd	G/303/10/\$\$	MANOPOLA MAJ COMM FORNO "M"	ELECTR OVEN SWITCH MAJ KNOB "M"	1
39	G36710\$.pwd	G/367/10/\$\$	MANOPOLA MAJ TERM "E/M" °F	ELECTRIC THERM KNOB MAJ	2
40	G34010\$.pwd	G/340/10/\$\$	MANOPOLA MAJ GAS CUCINA	GAS KNOB FOR MAJ COOKER	6
41	G35310\$.pwd	G/353/10/\$\$	MANOPOLA MAJ GAS CUC DUAL	DUAL GAS KNOB FOR MAJ COOKER	1
42	L0473.psm	S/149/07	LISTELLO PORTABRUCIATORI P60	BURNERS HOLDER FOR P60	2
43	L0835.psm	S/149/48	LISTELLO PORTABR CUC 120-150FRY TOP	BURNERS HOLDER 120 FRY TOP	2
44	L0799.psm	S/149/42	LISTELLO PORTABR FRY TOP	BURNERS HOLDER FRY TOP	1
45	L0432.psm	S/128/91	LATERALE PORTABR CUC PROFESS DX	RIGHT SIDE BURNER HOLDER	1
46	L0432SX.par	S/128/90	LATERALE PORTABR CUC PROFESS SX	LEFT SIDE BURNER HOLDER	1
47	L0063.psm	S/236/77	SUPPORTO TRASF ACC CUC PROFESSIONAL	EL. IGN. TRANSFORMER HOLDER FOR PRO	1
48	A02406.par	A/024/06	CARTONCINO ISOL NOMEX TRASF 4FUOCHI	NOMEX INSULATING CARD FOR IGNITION	2
49	A49412.par	A/494/12	TRASFORMATORE ACC EL 4 FUOCHI (BF)	ELECTRIC IGNITION TRANSFORMER	2
50	A0141290.pwd	A/014/12/90	BRUCIATORE PIPA GRANDE (H=94)	BIG BURNER 94	2
51	A0141291.pwd	A/014/12/91	BRUCIATORE PIPA PICCOLO (H=94)	SMALL BURNER 94	1
52	A0141292.pwd	A/014/12/92	BRUCIATORE PIPA GRANDE (H=80) TC PR	BIG BURNER 80 TC PR	1
53	A0141293.pwd	A/014/12/93	BRUCIATORE PIPA GRANDE (H=86) PESCE	FISH BIG BURNER 86	1
54	816.par	A/062/22	DADO FERMA GOMITO CUC M12X1	NUT HOSETAIL	5
55	A43404.par	A/434/04	PORTAINIETT A GOMITO GRILL/FUOCHI	INJECTOR HOLDER GRILL/COOKTOP	6
56	A01422.par	A/014/22	BRUCIATORE SOGLIOLA TC DUAL COMPL	DUAL TC BURNER	1
57	706.par	A/082/30	GHIERA AL 28X12 (GRANDE)	AL RING 28X12 (LARGE)	1
58	927.par	A/014/23	BRUCIATORE (VENTURI) AUX DUAL	AUX DUAL BURNER (VENTURI)	1
59	928.par	A/066/10	FARFALLA REG BRUCIAT AUX DUAL	REGULATION BURNER VALVE	1
60	926.par	A/434/06	PORTAINIETT BRUC AUX DUAL	AUX DUAL INJECTOR HOLDER	1
61	L1462.psm	S/096/00	FARFALLA REG ARIA BRUC SOGLIOLA	REGULATION BURNER VALVE	2
62	700.par	A/014/21	BRUCIATORE SOGLIOLA GRANDE ALLUMINA	LARGE BURNER ALL	1
63	A43404.par	A/434/04	PORTAINIETT A GOMITO GRILL/FUOCHI	INJECTOR HOLDER GRILL/COOKTOP	1
64	895.par	A/082/33	GHIERA AL 28X29 R PIANO XL PROFESS	AL RING 28X29	1

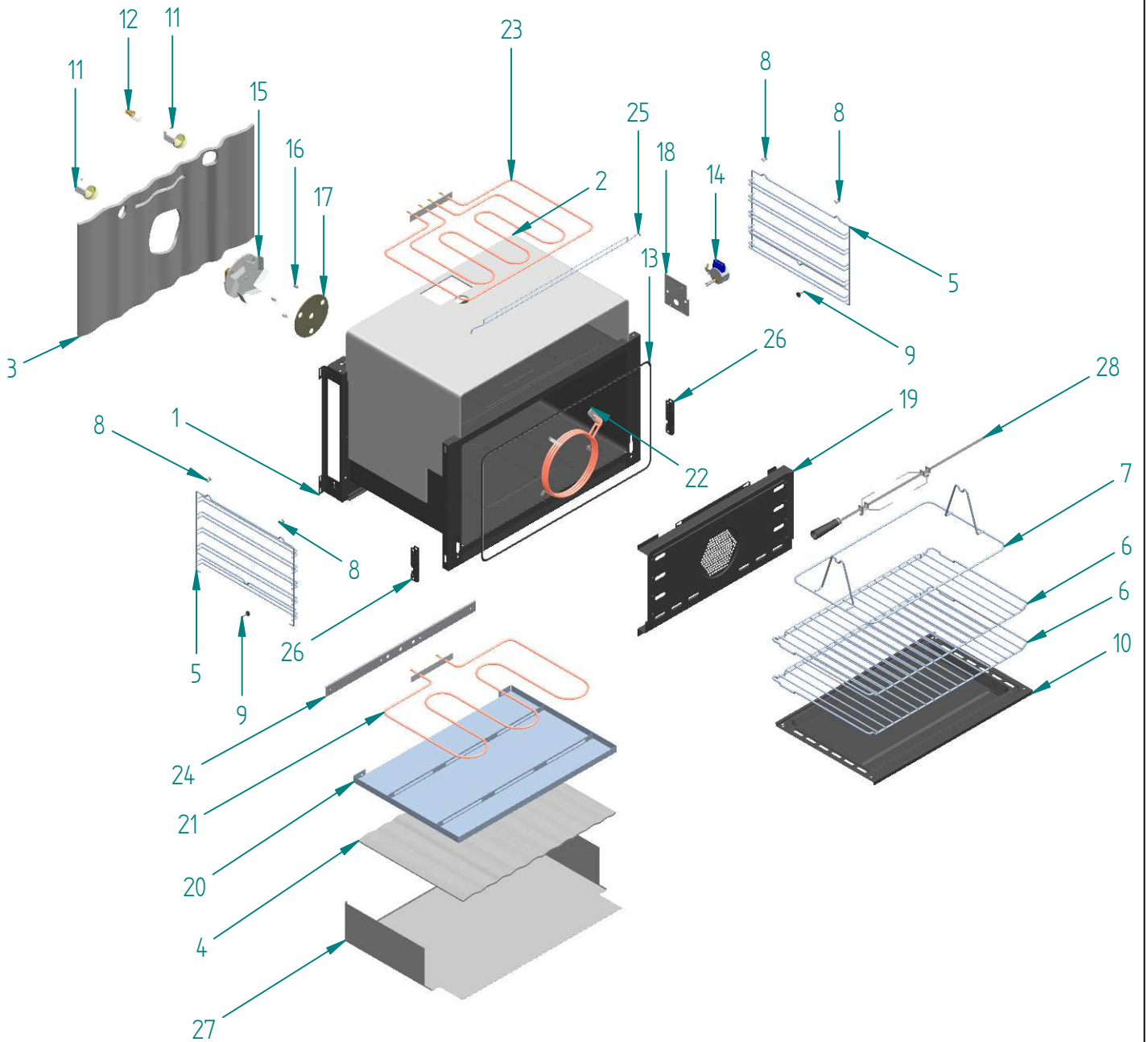


# ILVE S.p.a.

UPN120FDMP

04/01/2017

Num	Nome file	Cod	Descrizione	Inglese	Qtà
1	L2834.psm	S/151/25	LISTELLO DIV FO P120-MD100 MU RI SM	OVEN STRIP	1
2	710.par	A/094/13	GUARNIZIONE COPRI FUGA DOPPIO FORNO	SEAL	2
3	L3190.psm	S/036/00/30	COPRISCH CUC APP 80/90 MULT USA	BACK COVER	1
4	L3187.psm	S/036/84	COPRISCH CUC USA PD90/P120 30CM	BACK COVER	1
5	A40423.par	A/404/23	MORSETTIERA 5POLI+TERRA UL FV273/6-FV122/B	TERMINAL BOARD	1
6	A45206.pwd	A/452/06	RACCORDO TUBO FLEX 90° 3/4" UL/CSA	CONNECTOR	1
7	A49812.par	A/498/12	TUBO FLEX PROTEZIONE CAVI (3/4) UL	CONDUIT	1
8	A40607.pwd	A/406/07	MOTOV TANG L=180 120V CLASSE H UL	COOLING FAN	1
9	A40615.pwd	A/406/15	MOTOV TANG L=120 120V CLASSE H UL	COOLING FAN	1
10	L2818.psm	S/172/47	PARACALORE CUC 80/90 MULT MUF RIB	HEAT SHIELD FOR 80/90 ELECTRIC	1
11	L2828.psm	S/172/42	PARACALORE CUC 30CM P120 MUF RIB	30 CM HEAT SHIELD FOR P120	1
12	L0002PR.par	S/024/50	CONV CUC 90 COMP/PROF MUFF RIB	AIR CONVEYER	1
13	L0001PR.par	S/024/55	CONVOGLIATORE ARIA CUCINA 60 MUFFOLA CH.	AIR CONVEYER	1
14	L0264.psm	S/024/55	PROFILO CUC P120 DX	RIGHT PROFILE FOR P120	1
15	L0264SX.par	S/210/65/\$\$	PROFILO CUC P120 SX	LEFT PROFILE FOR P120	1
16	L0019.psm	S/128/42/\$\$	LATERALE CUC PROFESS SX	LEFT SIDE PANEL	1
17	L0019DX.par	S/128/41/\$\$	LATERALE CUC PROFESS DX	RIGHT SIDE PANEL	1
18	L0131.psm	S/148/25	LISTELLO FERMACUC P-PD120 POST INF	STRIP	1
19	L1929.psm	S/149/94	LISTELLO FERMACUC P120 PL ANT INF	STRIP	1
20	L0298.psm	S/212/07	PROLUNGA LAT POST P120-P76	SIDE BACK EXTENTION FOR P120-P76	3
21	L1600.psm	S/212/27	PROLUNGA COPRISCHIENA P-PD120B	BACK EXTENTION FOR P120	1
22	L1169DX.par	S/149/71	LISTELLO PORTAG CASS QUADRA DX	RIGHT STRIP	1
23	L1169.psm	S/149/72	LISTELLO PORTAG CASS QUADRA SX	LEFT STRIP	1
24	A09610.pwd	A/096/10	GUIDA INF/SUP DX CASS PC96 L=500	RIGHT DRAWER GUIDE	1
25	A09611.pwd	A/096/11	GUIDA INF/SUP SX CASS PC96 L=500	LEFT DRAWER GUIDE	1
26	L1953.pwd	S/012/22/10	GUIDA INF/SUP SX CASS PC96 L=500	LEFT DRAWER GUIDE	1
27	L0136.psm	S/234/12	STAFFA PER PIEDINI PD90/P120/P150 D	FEET STIRRUP FOR PD90-P120-P150 D	2
28	606.pwd	A/422/13	PIEDINO REGISTRABILE H 100-160	ADJUSTABLE FOOT H100-160	4
29	L0409.Psm	S/225/01	SOSTEGNO POST INF CENTR P120	BACKING P120	1
30	L1367.psm	S/234/13	STAFFA PROL COPRISC P120	BRACKET	1
31	L3178.psm	S/029/00	COPRI LANA DI VET CENTR CUC 120/150	GLASS WOOL COVER 120/150	1
32	L0128.par	S/148/97	LISTELLO ANCOR INF MUFFOLE PD90	STRIP	2

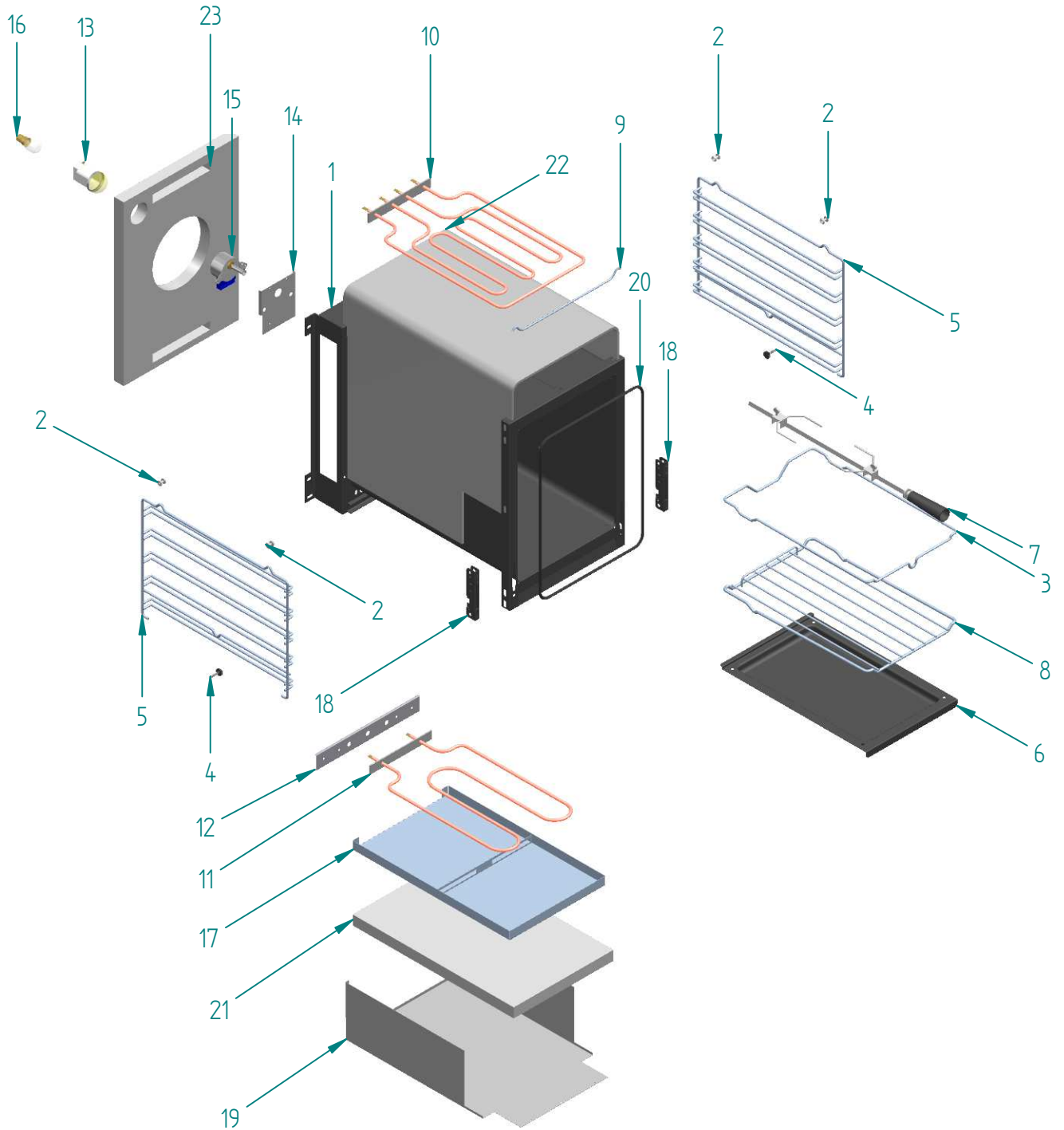


# ILVE S.p.a.

UPN120FDMP

04/01/2017

Num	Nome file	Cod	Descrizione	Inglese	Qtà
1	L2679.pwd	S/162/17/14	MUFFOLA 80/90 MULTIF CH NERO	MULTIFUNCTION MUFFLE	1
2	418.psm	A/108/12	LANA DI VETRO MANTELLO 900	FIBERGLASS MANTLE 900	1
3	168.par	A/108/26	LANA DI VETRO SCHIENA FORNO 90 MULT	FIBERGLASS OVEN BACK 90 MULTIFUNCTI	1
4	760.par	A/108/04	LANA DI VETRO FONDO 800/900/948	BOTTOM 800/900/948 RESISTANCE	1
5	848.par	A/092/43	GRIGLIA LAT FORNO MUFF CHIUSA 5 COR	OVEN SIDE GRILL	2
6	348.par	A/092/39	GRIGLIA FORNO 90X60 RINFORZATA USA	OVEN GRILL 80/90X60	2
7	167.par	A/482/10	SUPP GIRAR DIS 167 FORNO/CUCINA 90	SPIT SUPPORT	1
8	A48212.par	A/482/12	SUPPORTO GRIGLIA LAT. (FORNO)	GRILL SIDE SUPPORT (OVEN)	4
9	851.par	A/602/03	VITE ZIGR FERMAGR LAT MUFF CHIUSA	KNURLED SCREW SIDE GRILLS STOPPING	2
10	L1263.psm	S/146/04	LECCARDA 80/90 NERO	ENAMELLED DRIPPING PAN 80/90 BOTTOM	1
11	A43602.par	A/436/02	PORTAL+LAMPADA 110V	LAMP HOLDER + LAMP	2
12	A10600.par	A/106/00	LAMPADA FORNO 110V	OVEN LAMP	1
13	A09470.par	A/094/70	GUARN MUFF MATR 09154/A 900 CHIUSA	900 OVEN GASKET	1
14	A4060302.par	A/406/03/02	MOTORID GIRARR (UL) 120V 60HZ	SPIT GEARED MOTOR 60 HZ	1
15	G40623.pwd	G/406/23	MOTOVENTILATORE COMPL 120V 60HZ UL	COMPLETE FAN	1
16	914.pwd	A/602/05	VITE FISS MOTORE RADIALE	RADIAL MOTOR FIXING SCREW	1
17	A09420.par	A/094/20	GUARN MOTOV RAD CARTONE TERMORES	GASKET	1
18	L0338.psm	S/236/98	SUPPORTO MOTORIDUTTORE	GEARMOTOR SUPPORT	1
19	L4579.pwd	S/038/01	COPRIVENTOLA 800/900 SMALTATO	GLAZED FAN COVER 800/900	1
20	L4029.pwd	S/206/11	PORTARES INF 80/90 MUFF CH	HOLDER	1
21	A45872.par	A/458/72	RESIST 1500W 230V SUOLA 900	RESISTANCE W1500 V230 FIBERGLASS	1
22	A45834.par	A/458/34	RESIST 2400W 230V CIRCOLARE	CIRCULAR RESISTANCE W2400 V230 HEAT	1
23	A45838.par	A/458/38	RESIST 3100W 230V CIE+GRILL 900	TOP/GRILL RESISTANCE W900/2200 V230	1
24	L2065.psm	S/118/27	FERMARES INF FO 70/80/90 MUFF CH	ELEMENT STOP	1
25	091.par	A/438/02	SUPPORTO RESIST SUP 900	RESISTANCE SUPPORT 900	1
26	A46804.par	A/468/04	RULLINO+PORTARULL CERN TN (FARING)	RULLER	2
27	L2068B.psm	S/228/03	SOTTOFONDO FORNO 80/90 MUFF CH	ELECTRIC OVEN BOTTOM	1
28	A48002.pwd	A/480/02	SPIEDO FORNO 8/900 TRASV L=565MM	TRANSVERSE SPIT 800/900	1





# ILVE S.p.a.

UPN120FDMP

04/01/2017

Num	Nome file	Cod	Descrizione	Inglese	Qtà
1	L2603.pwd	S/162/31/14	MUFFOLA 30 ELETTR STAT CH NERO	SMALL OVEN MUFFLE	1
2	A48212.par	A/482/12	SUPPORTO GRIGLIA LAT. (FORNO)	GRILL SIDE SUPPORT (OVEN)	4
3	742.par	A/482/31	SUPP GIRAR MINIFORNO (5 CORSIE)	SPIT SUPPORT FOR D900/PD90 SMALL OV	1
4	851.par	A/602/03	VITE ZIGR FERMAGR LAT MUFF CHIUSA	KNURLED SCREW SIDE GRILLS STOPPING	2
5	848.par	A/092/43	GRIGLIA LAT FORNO MUFF CHIUSA 5 COR	OVEN SIDE GRILL	2
6	L1262.psm	S/146/16	LECCARDA MINIFORNO D900 E PD90 NERO	DRIPPING PAN FOR SMALL OVEN D900/PD	1
7	A48000.pwd	A/480/00	SPIEDO FORNO 30/40/EX 60 L=415mm	OVEN SPIT 600	1
8	306.par	A/092/33	GRIGLIA FORNO 30	SMALL OVEN GRILL (D900/PD9640)	1
9	308.par	A/438/04	SUPPORTO RESIST SUP MINIF D900/PD90	RESISTANCE SUPPORT FOR SMALL OVEN D	1
10	A45878.par	A/458/78	RESIST 2300W 230V CIEL+GR MINIF	GRILL + TOP RESISTANCE 2300W 230V F	1
11	A45876.par	A/458/76	RESIST 800W 230V SUOLA MINIFORN	BOTTOM RESISTANCE 800W 230V FOR D90	1
12	L2585.psm	S/118/30	FERMARES INF FO 30 MUFF CH	HEAT ELEMENT STOP	1
13	A43602.par	A/436/02	PORTAL+LAMPADA 110V	LAMP HOLDER + LAMP	1
14	L0338.psm	S/236/98	SUPPORTO MOTORIDUTTORE	GEARMOTOR SUPPORT	1
15	A4060302.par	A/406/03/02	MOTORID GIRARR (UL) 120V 60HZ	SPIT GEARED MOTOR 120V 60HZ	1
16	A10600.par	A/106/00	LAMPADA FORNO 110V	LAMP	1
17	L4025.pwd	S/206/21	PORTARES INF FO 30 MUFF CH	HOLDER	1
18	A46804.par	A/468/04	RULLINO+PORTARULL CERN TN (FARING)	RULLER	2
19	L2589B.psm	S/228/06	SOTTOFONDO MUFFOLA DA 30 CHIUSA	ELECTRIC OVEN BOTTOM	1
20	A09472.par	A/094/72	GUARN MUFF MATR 09154/A 30 CHIUSA	900 OVEN GASKET	1
21	441.par	A/108/05	LANA DI VETRO FONDO MINIFORNO	BOTTOM RESISTANCE	1
22	442.psm	A/108/07	LANA DI VETRO MANTELLO MINIFORNO	FIBERGLASS MANTLE	1
23	443.psm	A/108/15	LANA DI VETRO SCHIENA MINIFORNO	FIBERGLASS OVEN BACK	1