



HIGH CAPACITY WALL-MOUNT

LINERS

Size	34", 40", 46", 52", & 58"
Type / Finish	Wall-Mounted Liner / Stainless Steel

MODELS	DESCRIPTION	
UIBTF34-NB	Wall-Mounted High Capacity Liner	34"W x 22 1/2"D x 14"H
UIBTF40-NB	Wall-Mounted High Capacity Liner	40"W x 22 1/2"D x 14"H
UIBTF46-NB	Wall-Mounted High Capacity Liner	46"W x 22 1/2"D x 14"H
UIBTF52-NB	Wall-Mounted High Capacity Liner	52"W x 22 1/2"D x 14"H
UIBTF58-NB	Wall-Mounted High Capacity Liner	58"W x 22 1/2"D x 14"H



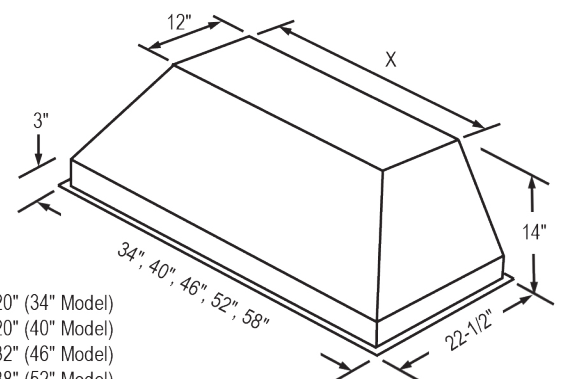
FEATURES

Controls	Stainless Steel Variable Speed Control Knobs		
Illumination	60W Halogen Lamps with Dimmer Control 34" (2), 40" (2), 46" (3), 52" (3), & 58" (3)		
Installation Type	Ducted - 10" Round (Top Duct Only)		
Blower Options	Inline	600 CFM	8" Round Duct
		1,000 CFM	8" Round Duct
		1,200 CFM	10" Round Duct
		1,600 CFM	10" Round Duct
	Remote	1,000 CFM	8" Round Duct
		1,200 CFM	10" Round Duct
	1,600 CFM	10" Round Duct	
	2,000 CFM	12" Round Duct	
Filter Type	Baffle Filters, Stainless Steel, Dishwasher-Safe		
Electrical	15 amps at 120 volts		



ACCESSORIES

Transitions (Optional)	TRC10/8 - Transitions 10" Round Duct to 8" Round Duct TRC12/10 - Transitions 12" Round Duct to 10" Round Duct
Wall Switch Kit (Optional)	Stainless Steel Wall Switch Kit Variable Control Knobs



- X =
- 20" (34" Model)
 - 20" (40" Model)
 - 32" (46" Model)
 - 38" (52" Model)
 - 44" (58" Model)