

Add lighting and ventilation to your room - with the look of an ordinary recessed light.

Recessed Fan / Light

FEATURES

BAFFLE:

- Polymeric construction with matte white finish
- Recessed styling, mounts flush with finished ceiling

LAMP:

- Accepts any one of these bulbs (bulb not included): 75W, R30, BR30, PAR30L, or PAR30LN

BLOWER:

- Plug-in, permanently lubricated, motor
- Dynamically balanced centrifugal blower wheel for quiet, efficient performance
- Low RPM for quiet operation
- Selectable CFM - Factory-set at 50 CFM - Can be set to 80 CFM

HOUSING:

- Fits in 2" x 8" construction
- Rugged, galvanized steel construction
- 4" round, polymeric duct connector with 2" tapered sleeve and no metallic clatter
- Adjustable mounting brackets span up to 24"

CONTROLS:

Designed for use with this product (purchase separately)

- Model 59V (Ivory) / 59W (White) - 60-minute time control
- Model 61V (Ivory) / 61W (White) - 15-minute time control
- Model 69VL (Ivory) / 69WL (White) - One rocker switch with "on" indicator light
- Model 269VL (Ivory) / 269WL (White) - One rocker switch with "on" indicator light and one non-lit rocker switch
- Model 68V (Ivory) / 68W (White) - Two rocker switches - fits in single-gang box

U.L. Listed for use over bathtubs and showers when connected to a GFCI protected branch circuit and used with a PAR30L or PAR30LN bulb.

U.L. Listed for use in insulated ceilings (TYPE I.C.)

3-Year Warranty

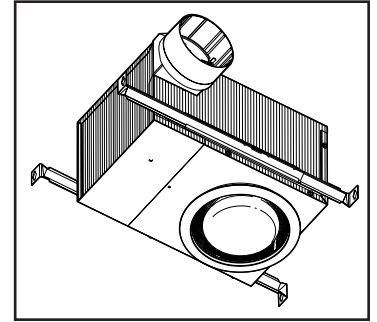
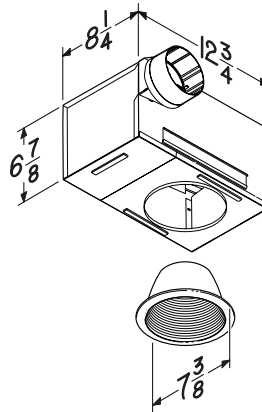
SPECIFICATIONS

MODEL	VOLTS	AMPS**
744L	120	1.3

** Total Connected Load



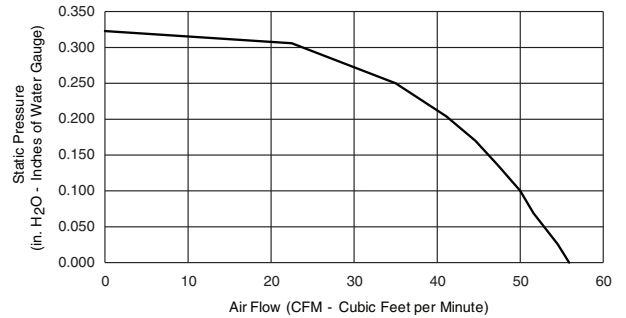
SETTING	STATIC PRESSURE	CFM	SONES	FAN WATTS	DUCT
80	0.1	80	2	27.4	4" Round
	0.25	65			
50	0.1	50	0.3	10.7	
	0.25	35			



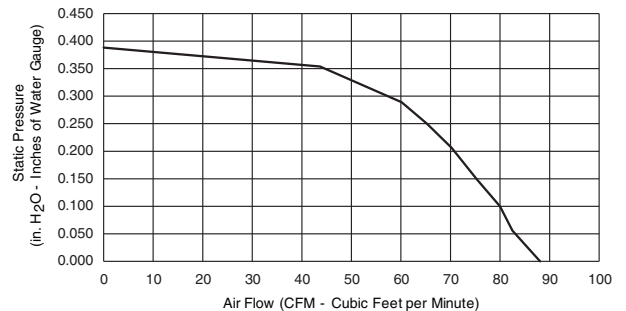
MODEL 744L

AIR FLOW PERFORMANCE

MODEL 744L - 50 CFM SETTING



MODEL 744L - 80 CFM SETTING



HVI-2100 CERTIFIED RATINGS comply with new testing technologies and procedures prescribed by the Home Ventilating Institute, for off-the-shelf products, as they are available to consumers. Product performance is rated at 0.1 in. static pressure, based on tests conducted in a state-of-the-art test laboratory. Sones are a measure of humanly-perceived loudness, based on laboratory measurements.

Broan-NuTone LLC Hartford, Wisconsin www.nutone.com 888-336-3948

REFERENCE	QTY.	REMARKS	Project
			Location
			Architect
			Engineer
			Contractor
			Submitted by
			Date