

JENN-AIR® Compactor

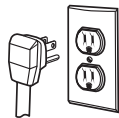
PRODUCT MODEL NUMBERS

TC607X

TC707S

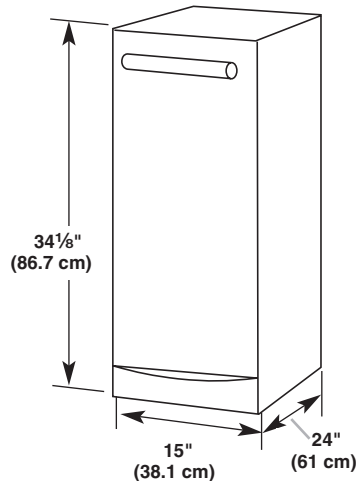
Electrical: 115-volt, 60-Hz, AC-only, 15- or 20-amp. grounded circuit is required. A time-delay fuse or circuit breaker and separate circuit is recommended.

Recommended Grounding Method: This compactor is for use on a single phase, 115-volt, 60 Hz, AC only, 15- or 20-amp fused and properly grounded circuit and is equipped with a grounding plug as shown below. It is recommended that a separate circuit serving only this appliance be provided.

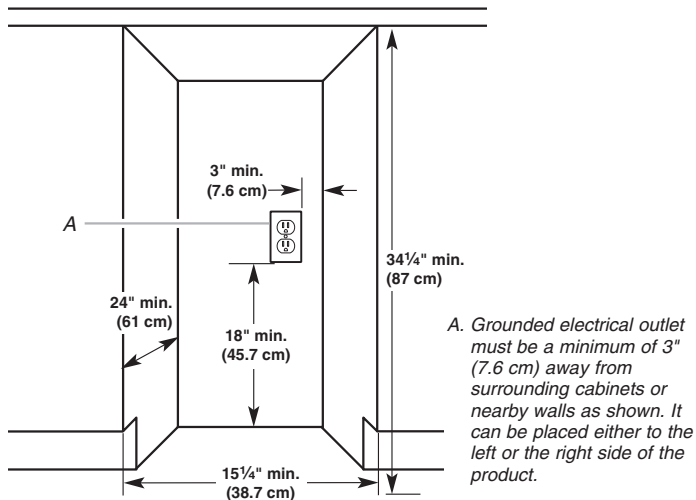


This compactor must be grounded while in use to reduce the risk of electric shock. The compactor is equipped with a threeconductor cord and 3 prong grounding-type plug to fit the proper grounding-type receptacle. The green (or green and yellow) conductor in the cord is the grounding wire. Do not connect the green (or green and yellow) wire to a live terminal.

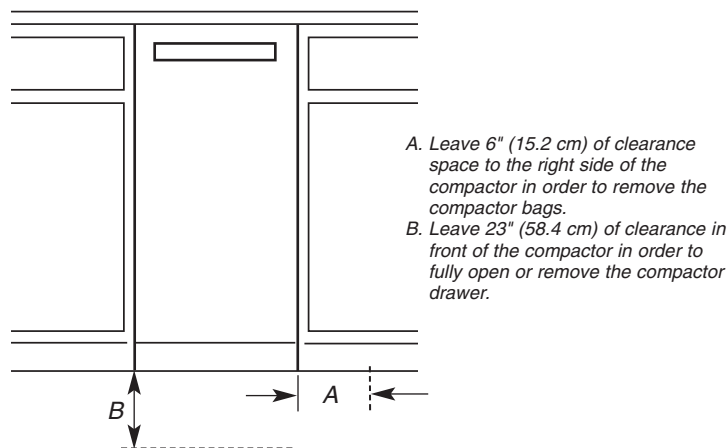
OVERALL DIMENSIONS



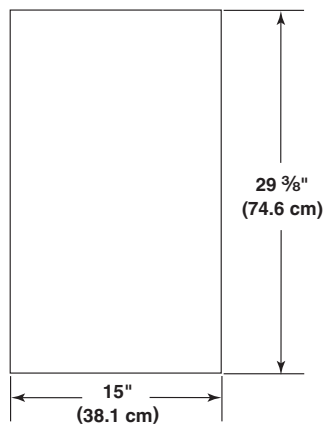
CABINET OPENING DIMENSIONS



CLEARANCE DIMENSIONS



CUSTOM PANELS



The panel should be a minimum of 1/2" (13 mm) thick.