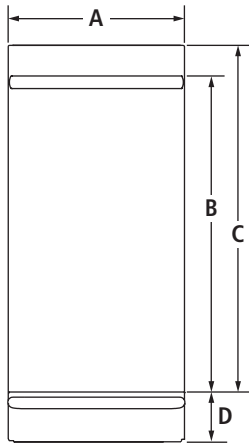


15" COMPACTORS

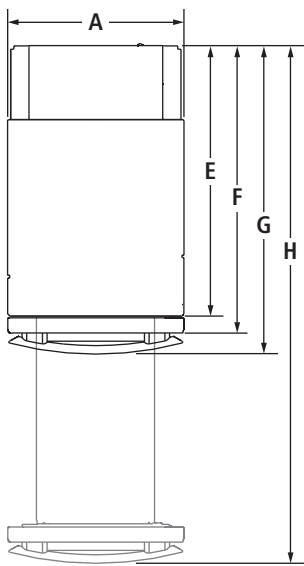
TC707 – 15" x 34¹/₈" x 26¹/₄"

TC607 – 15" x 34¹/₈" x 26¹/₂" (requires coordinating panel kit or custom panel and handle)

PRODUCT DIMENSIONS



FRONT VIEW



TOP VIEW

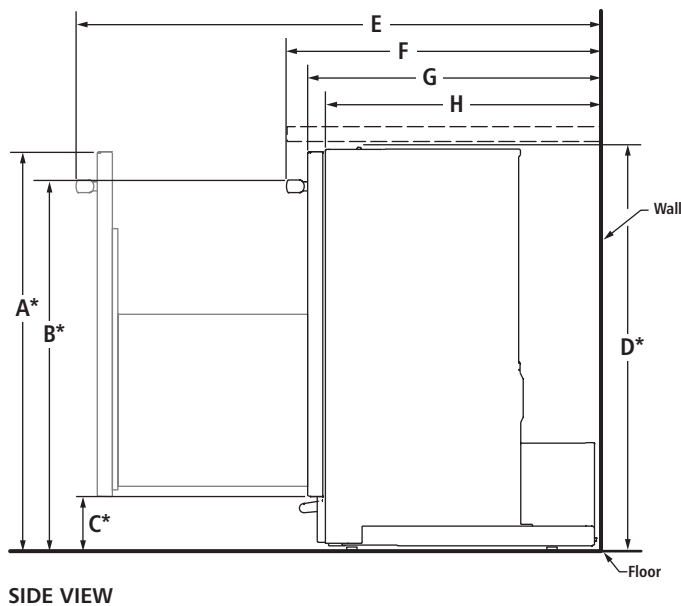
MODEL #		TC707		TC607	
		in	cm	in	cm
A	Width of drawer	15	38.0	15	38.0
	Height to top of handle Euro-Style (color-coordinating)	26 ⁷ / ₈	68.2	26 ⁷ / ₈	68.2
	Pro-Style® Stainless	—	—	27	68.6
C	Height of drawer	29 ¹ / ₄	74.2	29 ¹ / ₄	74.2
D	Height of toe plate	4 ¹ / ₈	10.6	4 ¹ / ₈	10.6
E	Depth without drawer	23	58.3	23	58.3
F	Depth with drawer Euro-Style Stainless	24 ³ / ₈	61.7	—	—
	Pro-Style® Stainless panel kit	—	—	24 ³ / ₈	61.7
	Oiled Bronze panel kit	—	—	24 ¹ / ₂	62.2
	Black Floating Glass panel kit	—	—	24 ¹ / ₂	62.2
	Black or White panel kit	—	—	24 ¹ / ₂	62.2
	Custom panel (1/2"/1.3 cm)	—	—	24 ³ / ₈	61.7
G	Depth with handle Euro-Style Stainless drawer and handle	26 ¹ / ₄	66.7	—	—
	Pro-Style® Stainless panel kit and handle	—	—	26 ⁷ / ₈	68.3
	Oiled Bronze panel kit and Euro-Style handle (color-coordinating)	—	—	26 ¹ / ₂	67.2
	Black Floating Glass panel kit and Euro-Style handle (color-coordinating)	—	—	26 ¹ / ₂	67.2
	Black or White panel kit and Euro-Style handle (color-coordinating)	—	—	26 ¹ / ₂	67.2
H	Depth with drawer fully open including handle Euro-Style Stainless drawer and handle	44	111.5	—	—
	Pro-Style® Stainless panel kit and handle	—	—	44 ⁵ / ₈	113.4
	Oiled Bronze panel kit and Euro-Style handle (color-coordinating)	—	—	44 ¹ / ₈	112.0
	Black Floating Glass panel kit and Euro-Style handle (color-coordinating)	—	—	44 ¹ / ₈	112.0
	Black or White panel kit and Euro-Style handle (color-coordinating)	—	—	44 ¹ / ₈	112.0

15" COMPACTORS

TC707 – 15" x 34 1/8" x 26 1/4"

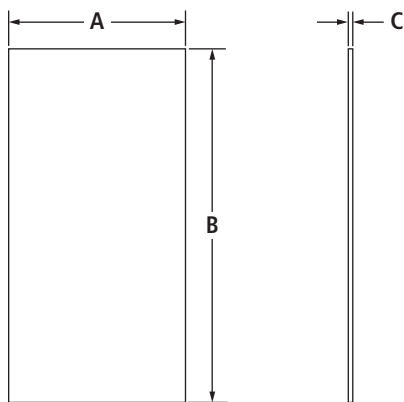
TC607 – 15" x 34 1/8" x 26 1/2" (requires coordinating panel kit or custom panel and handle)

DIMENSIONS AS INSTALLED



MODEL #		TC707		TC607	
		in	cm	in	cm
A*	Height to top of drawer (min.)	33 3/4	85.7	33 3/4	85.7
	Height to top of handle (min.)				
B*	Euro-Style (color-coordinating)	31 3/8	79.6	31 3/8	79.6
	Pro-Style® Stainless	—	—	31 1/2	80.0
C*	Height to bottom of drawer (min.)	4 1/2	11.4	4 1/2	11.4
D*	Height of recessed compactor (min.)	34 1/8	86.7	34 1/8	86.7
E	Depth with drawer fully open including handle (min.)				
	Euro-Style Stainless	44	111.5	—	—
	Pro-Style® Stainless panel kit and handle	—	—	44 5/8	113.4
	Oiled Bronze panel kit and Euro-Style handle (color-coordinating)	—	—	44 1/8	112.0
	Black Floating Glass panel kit and Euro-Style handle (color-coordinating)	—	—	44 1/8	112.0
F	Black or White panel kit and Euro-Style handle (color-coordinating)	—	—	44 1/8	112.0
	Depth with handle (min.)				
	Euro-Style Stainless	26 1/4	66.7	—	—
G	Pro-Style® Stainless panel kit and handle	—	—	26 7/8	68.3
	Oiled Bronze panel kit and Euro-Style handle (color-coordinating)	—	—	26 1/2	67.2
	Black Floating Glass panel kit and Euro-Style handle (color-coordinating)	—	—	26 1/2	67.2
	Black or White panel kit and Euro-Style handle (color-coordinating)	—	—	26 1/2	67.2
	Depth with drawer (min.)				
H	Euro-Style Stainless	24 3/8	61.7	—	—
	Pro-Style® Stainless panel kit	—	—	24 3/8	61.7
	Oiled Bronze panel kit	—	—	24 1/2	62.2
	Black Floating Glass panel kit	—	—	24 1/2	62.2
	Black or White panel kit	—	—	24 1/2	62.2
	Custom panel (1/2"/1.3 cm)	—	—	24 3/8	61.7

PANEL DIMENSIONS



MODEL #		TC607	
		in	cm
A	Width	15	38.1
B	Height	29 3/8	74.6
C	Depth (min.)	1/2	1.3

FILLER STRIP

Attach a 15" x 1/2" (38.1 cm x 1.27 cm) quarter-round filler along the top inside edge of the drawer front.

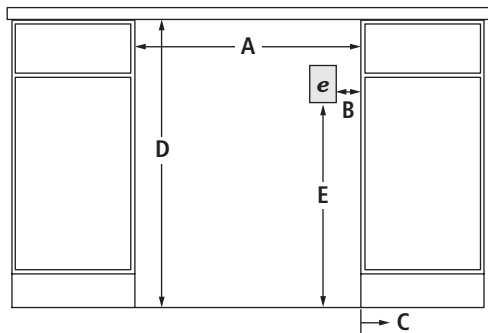
*Add up to 1/2" (1.3 cm) to height with leg levelers fully extended.

15" COMPACTORS

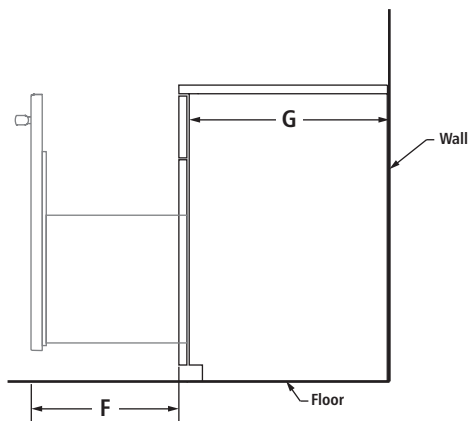
TC707 – 15" x 34 1/8" x 26 1/4"

TC607 – 15" x 34 1/8" x 26 1/2" (requires coordinating panel kit or custom panel and handle)

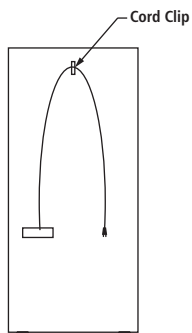
OPENING/CLEARANCE DIMENSIONS



FRONT VIEW



SIDE VIEW



BACK VIEW

MODEL #		TC707 TC607	
		in	cm
A	Width (min.)	15 1/4	38.7
B	Electrical outlet – distance from left- or right-hand side (min.)	3	74.6
C	Clearance required for bag removal – right-hand side (min.)	6	15.2
D	Height (min.)	34 1/4	87.0
E	Electrical outlet – distance from floor (min.)	18	45.7
F	Clearance required for drawer removal (min.)	23	58.4
G	Depth (min.)	24	61.0
e	Recommended electrical connection location (left or right-hand side)		

ELECTRICAL REQUIREMENTS

115 volt, 60 Hz, AC only, 15- or 20-amp fused, grounded circuit is required. A dedicated circuit is recommended. Use an outlet that cannot be turned off by a switch. Do not use an extension cord.