

# Haier

## Submittals

### Arctic Multi Series

Rev. Sept. 2019



**2U20EH2VHA**  
**3U24EH2VHA**  
**AW07LC2VHB**  
**AW09LC2VHB**  
**AW12LC2VHB**  
**AW18LC2VHB**  
**AW07EH2VHA**  
**AW09EH2VHA**  
**AW12EH2VHA**  
**AW18EH2VHA**  
**AB09SC2VHA**  
**AB12SC2VHA**  
**AB18SC2VHA**  
**AD07SL2VHB**  
**AD09SL2VHB**  
**AD12SL2VHB**  
**AD18SL2VHB**



**GE APPLIANCES**  
*a Haier company*

For more information visit us:  
[www.Haierductless.com](http://www.Haierductless.com)  
[www.Haierductlesshelp.com](http://www.Haierductlesshelp.com)



### **Revision History**

**Rev. March 2019** - *Submittal edition release.*

**Rev. May 2019** - *Addition of rated heating performance note; Accessories & electrical requirement update.*


**Rev. Aug. 2019** - *HSPF correction (2U20EH2VHA).*

**Rev. Sept. 2019** - *3U24EH2VHA heating capacity data change.*



# Haier

## Arctic Multi-Zone Matching Table

### 2U20EH2VHA

Zones	Combinations		Total System Capacity
	Unit A	Unit B	
TWO ZONES	7K	7K	14K
 Unit A Unit B	7K	9K	16K
	9K	9K	18K
	7K	12K	19K
	9K	12K	21K
	12K	12K	24K

### 3U24EH2VHA

Zones	Combinations			Total System Capacity
	Unit A	Unit B	Unit C	
TWO ZONE	—	7K	7K	14K
 Unit B Unit C	—	7K	9K	16K
	—	9K	9K	18K
	—	7K	12K	19K
	—	9K	12K	21K
	—	12K	12K	24K
	—	7K	18K	25K
	—	9K	18K	27K
	—	12K	18K	30K
THREE ZONE	7K	7K	7K	21K
 Unit A Unit B Unit C	7K	7K	9K	23K
	7K	9K	9K	25K
	7K	7K	12K	26K
	9K	9K	9K	27K
	7K	9K	12K	28K
	9K	9K	12K	30K
	7K	12K	12K	31K*
	7K	7K	18K	32K*
	9K	12K	12K	33K*

\* All indoor units must be FlexFit models

# Haier Arctic Multi Series Submittal

20000 BTU/HR INVERTER DRIVEN MULTI-ZONE HEAT PUMP SYSTEM

## 2U20EH2VHA

Job Name: \_\_\_\_\_

Purchaser: \_\_\_\_\_

Submitted To: \_\_\_\_\_

Construction: \_\_\_\_\_

Reference: \_\_\_\_\_

Approval: \_\_\_\_\_

Date: \_\_\_\_\_

Submitted By: \_\_\_\_\_

Unit: \_\_\_\_\_

Drawing #: \_\_\_\_\_



### Accessories

#### Wind Baffle

Uses wind baffle QAWB40A

Cooling Performance	
Cooling Capacity Range (Non-Ducted/Ducted)	7,000~20,000 BTU/ 7,000~19,000 BTU
Rated Power Input (Non-Ducted/Ducted)	1,448/1,481 W
SEER (Non-Ducted/Ducted)	17.0/15.0
EER (Non-Ducted/Ducted)	12.5/10.8

Heating Performance	
Heating Capacity Range (Non-Ducted/Ducted)	8,000~23,000 BTU/ 8,000~21,000 BTU
HSPF (Non-Ducted/Ducted)	9.6/10.5

Pipe Length	
Minimum Pipe Length (Each)	6 ft
Maximum Pipe Length (Each/All)	82 ft /164 ft
Maximum Pipe Height Difference	50 ft
Connection	1/4", 1/4"(Discharge) 3/8", 3/8" (Suction) Flare

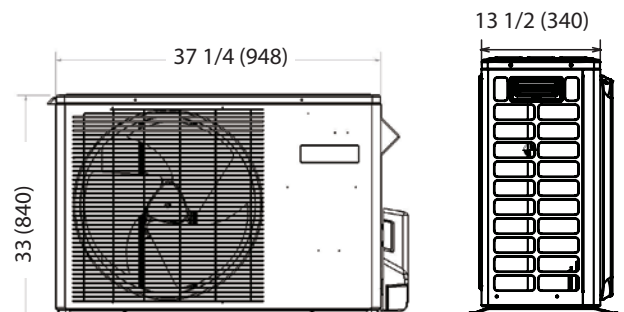
Electrical Requirement	
Power Supply	208/230V, 1 Phase, 60 HZ
Operating Voltage Range	187~253 VAC
Recommended Fuse/Breaker Size	25A
MCA	15A

Connecting cable to indoor units must be 14/4 AWG unshielded stranded copper. Cable must be ran continuous, without splicing.

Operating Range	
Cooling	14~115°F (-10~46°C)
Heating	-15~75°F (-26~24°C)

Rated heating performance down to -15°F and continuous operation down to -22°F

Outdoor Unit	
Compressor	DC inverter Driven Rotary
Uncrated Dimension (HxWxD)	33 x 37 1/4 x 13 1/2 in (840 x 948 x 340 mm)
Crated (HxWxD)	41 1/4 x 41 3/4 x 16 1/2 in (1050 x 1060 x 420 mm)
Outdoor Sound Rating dB	56
Heat Exchanger Fin Type	Blue Fin
Weight (Ship/Net)	202.3/185.6 lbs
Factory Refrigerant Charge	R-410A (99.0 oz)



For more information visit us:  
www.Haierductless.com  
www.Haierductlesshelp.com



# Haier Arctic Multi Series Submittal

20000 BTU/HR INVERTER DRIVEN MULTI-ZONE HEAT PUMP SYSTEM

## 2U20EH2VHA

### Heating Capacity Data - Non Ducted

Outdoor Air Temp DB	Indoor Set Temperature					
	60°F (16°C)		70°F (21°C)		77°F (25°C)	
	Maximum Heating Capacity (Btu/h)	Power Usage (w)	Max Heating Capacity (Btu/h)	Power Usage (w)	Max Heating Capacity (Btu/h)	Power Usage (w)
-15°F (-26°C)	19,320	2,920	17,250	3,190	16,200	3,330
-4°F (-20°C)	23,150	3,010	20,060	3,290	16,700	3,420
5°F (-15°C)	25,600	3,110	23,500	3,350	21,200	3,670
17°F (-8°C)	27,100	3,120	25,360	3,560	22,650	3,730
47°F (8°C)	29,470	3,350	27,890	3,780	25,170	4,030

### Heating Capacity Data - Ducted

Outdoor Air Temp DB	Indoor Set Temperature					
	60°F (16°C)		70°F (21°C)		77°F (25°C)	
	Maximum Heating Capacity (Btu/h)	Power Usage (w)	Max Heating Capacity (Btu/h)	Power Usage (w)	Max Heating Capacity (Btu/h)	Power Usage (w)
-15°F (-26°C)	17,880	3,160	16,310	3,220	15,260	3,280
-4°F (-20°C)	19,930	3,260	18,690	3,310	15,830	3,320
5°F (-15°C)	21,850	3,320	21,000	3,380	19,210	3,710
17°F (-8°C)	25,310	3,560	24,340	3,610	21,030	3,760
47°F (8°C)	26,860	3,680	25,890	3,820	23,460	4,130

### Cooling Capacity Data - Non Ducted

Outdoor Air Temp DB	Indoor Set Temperature					
	70°F (21°C)		75°F (24°C)		80°F (27°C)	
	Total Capacity (Btu/h)	Power Usage (w)	Total Capacity (Btu/h)	Power Usage (w)	Total Capacity (Btu/h)	Power Usage (w)
14°F (-10°C)	7,560	720	9,160	810	10,320	890
65°F (18°C)	17,840	980	19,560	1,040	20,520	1,070
75°F (24°C)	16,630	990	19,010	1,110	20,030	1,150
85°F (29°C)	15,260	1,020	18,690	1,230	19,670	1,290
95°F (35°C)	15,091	1,260	18,230	1,430	19,020	1,466
105°F (41°C)	14,860	1,390	16,510	1,490	17,830	1,590
115°F (46°C)	11,580	1,250	14,870	1,540	15,856	1,620

### Cooling Capacity Data - Ducted

Outdoor Air Temp DB	Indoor Set Temperature					
	70°F (21°C)		75°F (24°C)		80°F (27°C)	
	Total Capacity (Btu/h)	Power Usage (w)	Total Capacity (Btu/h)	Power Usage (w)	Total Capacity (Btu/h)	Power Usage (w)
14°F (-10°C)	6,370	750	7,020	810	7,500	830
65°F (18°C)	16,210	1,350	19,120	1,550	20,130	1,580
75°F (24°C)	15,100	1,620	18,760	1,690	19,940	1,720
85°F (29°C)	14,950	1,660	17,800	1,780	19,150	1,810
95°F (35°C)	14,680	1,630	16,420	1,790	18,780	1,860
105°F (41°C)	13,360	1,730	15,690	1,870	17,490	2,040
115°F (46°C)	10,200	1,450	13,860	1,810	15,700	2,190

- Capacity output and power usage are measured approximately at 50% indoor RH.
  - Capacities are obtained at standard piping length of each outdoor model
- Specifications are subject to change without notice. © 2019 GE Appliances, a Haier Company All rights reserved

# Haier Arctic Multi Series Submittal

24000 BTU/HR INVERTER DRIVEN MULTI-ZONE HEAT PUMP SYSTEM

## 3U24EH2VHA

Job Name: \_\_\_\_\_

Purchaser: \_\_\_\_\_

Submitted To: \_\_\_\_\_

Construction: \_\_\_\_\_

Reference: \_\_\_\_\_

Approval: \_\_\_\_\_

Date: \_\_\_\_\_

Submitted By: \_\_\_\_\_

Unit: \_\_\_\_\_

Drawing #: \_\_\_\_\_



### Accessories

#### Wind Baffle

Uses wind baffle QAWB40A

#### Electrical Requirement

Power Supply	208/230V, 1 Phase, 60 HZ
Operating Voltage Range	187~253 VAC
Recommended Fuse/Breaker Size	25A
MCA	16A

Connecting cable to indoor units must be 14/4 AWG unshielded stranded copper. Cable must be ran continuous, without splicing.

#### Operating Range

Cooling	14~115°F (-10~46°C)
Heating	-15~75°F (-26~24°C)

Rated heating performance down to -15°F and continuous operation down to -22°F

#### Cooling Performance

Cooling Capacity Range (Non-Ducted/Ducted)	6,000~23,600 BTU/ 6,000~22,300 BTU
Rated Power Input (Non-Ducted/Ducted)	1,760/1,786 W
SEER (Non-Ducted/Ducted)	18.5/15
EER (Non-Ducted/Ducted)	12.5/11.2

#### Heating Performance

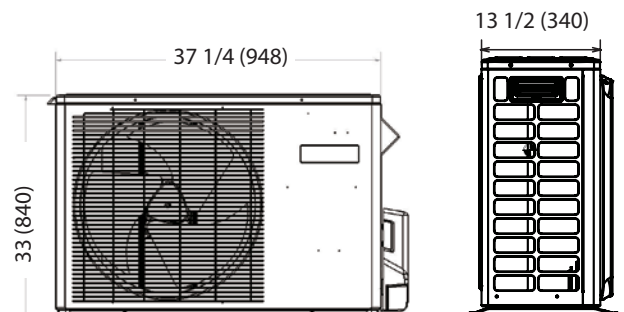
Heating Capacity Range (Non-Ducted/Ducted)	8,000~30,600 BTU/ 8,000~28,600 BTU
HSPF (Non-Ducted/Ducted)	10.5/9.3

#### Pipe Length

Minimum Pipe Length (Each)	6 ft
Maximum Pipe Length (Each/All)	82 ft / 196 ft
Maximum Pipe Height Difference	50 ft
Connection	1/4", 1/4", 1/4" (Discharge) 1/2", 3/8", 3/8" (Suction) Flare

#### Outdoor Unit

Compressor	DC inverter Driven Rotary
Uncrated Dimension (HxWxD)	33 x 37 1/4 x 13 1/2 in (840 x 948 x 340 mm)
Crated (HxWxD)	41 1/4 x 41 3/4 x 16 1/2 in (1050 x 1060 x 420 mm)
Outdoor Sound Rating dB	56
Heat Exchanger Fin Type	Blue Fin
Weight (Ship/Net)	205.9/189.5 lbs
Factory Refrigerant Charge	R-410A (99.0 oz)



For more information visit us:  
www.Haierductless.com  
www.Haierductlesshelp.com



## 3U24EH2VHA

### Heating Capacity Data - Non Ducted

Outdoor Air Temp DB	Indoor Set Temperature					
	60°F (16°C)		70°F (21°C)		77°F (25°C)	
	Maximum Heating Capacity (Btu/h)	Power Usage (w)	Max Heating Capacity (Btu/h)	Power Usage (w)	Max Heating Capacity (Btu/h)	Power Usage (w)
-15°F (-26°C)	18,120	2,960	18,000	3,090	16,580	3,220
-4°F (-20°C)	19,930	3,060	19,430	3,250	17,330	3,360
5°F (-15°C)	24,860	3,290	24,120	3,510	21,870	3,620
17°F (-8°C)	28,210	3,390	27,220	3,810	25,500	3,920
47°F (8°C)	31,230	3,720	29,600	4,030	27,850	4,120

### Heating Capacity Data - Ducted

Outdoor Air Temp DB	Indoor Set Temperature					
	60°F (16°C)		70°F (21°C)		77°F (25°C)	
	Maximum Heating Capacity (Btu/h)	Power Usage (w)	Max Heating Capacity (Btu/h)	Power Usage (w)	Max Heating Capacity (Btu/h)	Power Usage (w)
-15°F (-26°C)	18,000	3,480	17,100	3,360	16,100	3,530
-4°F (-20°C)	19,820	3,510	19,200	3,560	17,200	3,610
5°F (-15°C)	22,860	3,440	23,240	3,540	21,160	3,730
17°F (-8°C)	27,140	3,470	26,410	3,620	24,170	3,810
47°F (8°C)	29,130	3,550	28,820	3,780	27,660	3,920

### Cooling Capacity Data - Non Ducted

Outdoor Air Temp DB	Indoor Set Temperature					
	70°F (21°C)		75°F (24°C)		80°F (27°C)	
	Total Capacity (Btu/h)	Power Usage (w)	Total Capacity (Btu/h)	Power Usage (w)	Total Capacity (Btu/h)	Power Usage (w)
14°F (-10°C)	13,210	1,080	14,010	1,120	15,330	1,190
65°F (18°C)	24,860	1,560	25,940	1,610	27,480	1,690
75°F (24°C)	23,560	1,680	24,860	1,710	26,190	1,780
85°F (29°C)	23,350	1,710	24,560	1,790	25,430	1,840
95°F (35°C)	22,860	1,860	23,360	1,880	24,320	1,910
105°F (41°C)	21,320	2,060	22,720	2,160	23,560	2,190
115°F (46°C)	16,960	2,120	18,160	2,190	18,680	2,230

### Cooling Capacity Data - Ducted

Outdoor Air Temp DB	Indoor Set Temperature					
	70°F (21°C)		75°F (24°C)		80°F (27°C)	
	Total Capacity (Btu/h)	Power Usage (w)	Total Capacity (Btu/h)	Power Usage (w)	Total Capacity (Btu/h)	Power Usage (w)
14°F (-10°C)	12,320	1,150	13,120	1,180	14,680	1,220
65°F (18°C)	24,300	1,610	25,010	1,650	26,560	1,720
75°F (24°C)	23,130	1,710	24,140	1,760	25,310	1,830
85°F (29°C)	23,310	1,880	24,110	1,920	24,900	1,960
95°F (35°C)	22,360	1,990	23,060	2,050	24,130	2,070
105°F (41°C)	21,230	2,220	22,170	2,280	22,690	2,310
115°F (46°C)	16,830	2,230	17,850	2,320	18,560	2,400

- Capacity output and power usage are measured approximately at 50% indoor RH.
  - Capacities are obtained at standard piping length of each outdoor model
- Specifications are subject to change without notice. © 2019 GE Appliances, a Haier Company All rights reserved

# Haier Arctic Multi Series Submittal

## 7000 BTU/HR WALL MOUNTED INVERTER DRIVEN HEAT PUMP SYSTEM(INDOOR for multi-zone) AW07LC2VHB

Job Name: \_\_\_\_\_  
 Purchaser: \_\_\_\_\_  
 Submitted To: \_\_\_\_\_  
 Construction: \_\_\_\_\_  
 Reference: \_\_\_\_\_

Approval: \_\_\_\_\_  
 Date: \_\_\_\_\_  
 Submitted By: \_\_\_\_\_  
 Unit: \_\_\_\_\_  
 Drawing #: \_\_\_\_\_

Electrical Requirement	
Power Supply	208/230V, 1 Phase, 60 HZ
Operating Voltage Range	187~253 VAC

Performance	
Rated Cooling Capacity	7,000 BTU
Rated Heating Capacity	8,000 BTU

Piping	
Connection	1/4" (Discharge) 3/8" (Suction) Flare

Indoor Unit	
Uncrated Dimension (HxWxD)	11 x 33 5/8 x 8 in (280 x 855 x 204 mm)
Crated (HxWxD)	14 x 37 1/2 x 11 in (355 x 954 x 279 mm)
Airflow CFM (Turbo/High/Med/Low/Quiet)	410/350/295/235/205
Indoor Sound Level dB (Turbo/High/Med/Low/Quiet)	43/38/33/26/22
Motor Rating (HP)	0.054
Heat Exchanger Fin Type	Blue Fin
Weight (Ship/Net)	26.9/22.0 lbs

### Accessories

#### Remote Controller

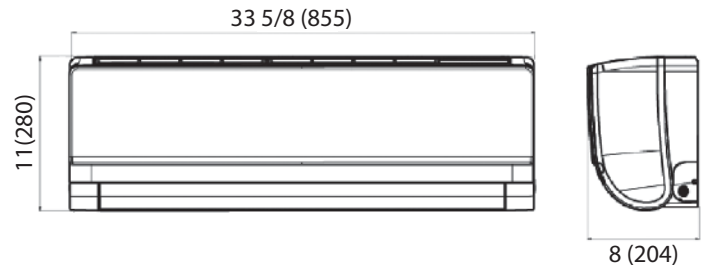
Ships with YR-HG

#### Wired Controller

Compatible with wired controllers YR-E17, YR-E16B, and QACT17A. All wired controllers require interface kit WK-B

#### WiFi

Compatible with WiFi adapter QAWF01A



For more information visit us:  
[www.Haierductless.com](http://www.Haierductless.com)  
[www.Haierductlesshelp.com](http://www.Haierductlesshelp.com)





# Haier Arctic Multi Series Submittal

## 9000 BTU/HR WALL MOUNTED INVERTER DRIVEN HEAT PUMP SYSTEM(INDOOR for multi-zone) AW09LC2VHB

Job Name: \_\_\_\_\_

Purchaser: \_\_\_\_\_

Submitted To: \_\_\_\_\_

Construction: \_\_\_\_\_

Reference: \_\_\_\_\_

Approval: \_\_\_\_\_

Date: \_\_\_\_\_

Submitted By: \_\_\_\_\_

Unit: \_\_\_\_\_

Drawing #: \_\_\_\_\_

Electrical Requirement	
Power Supply	208/230V, 1 Phase, 60 HZ
Operating Voltage Range	187~253 VAC

Performance	
Rated Cooling Capacity	9,000 BTU
Rated Heating Capacity	10,000 BTU

Piping	
Connection	1/4" (Discharge) 3/8" (Suction) Flare

Indoor Unit	
Uncrated Dimension (HxWxD)	11 x 33 5/8 x 8 in (280 x 855 x 204 mm)
Crated (HxWxD)	14 x 37 1/2 x 11 in (355 x 954 x 279 mm)
Airflow CFM (Turbo/High/Med/Low/Quiet)	410/350/295/235/205
Indoor Sound Level dB (Turbo/High/Med/Low/Quiet)	43/38/33/26/22
Motor Rating (HP)	0.054
Heat Exchanger Fin Type	Blue Fin
Weight (Ship/Net)	26.9/22.0 lbs

### Accessories

#### Remote Controller

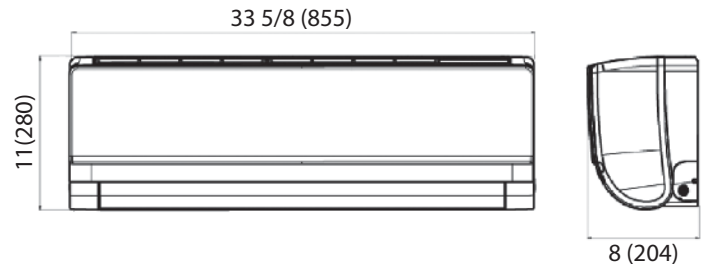
Ships with YR-HG

#### Wired Controller

Compatible with wired controllers YR-E17, YR-E16B, and QACT17A. All wired controllers require interface kit WK-B

#### WiFi

Compatible with WiFi adapter QAWF01A



For more information visit us:  
www.Haierductless.com  
www.Haierductlesshelp.com

# Haier Arctic Multi Series Submittal

12000 BTU/HR WALL MOUNTED INVERTER DRIVEN HEAT PUMP SYSTEM(INDOOR for multi-zone)

## AW12LC2VHB

Job Name: \_\_\_\_\_

Purchaser: \_\_\_\_\_

Submitted To: \_\_\_\_\_

Construction: \_\_\_\_\_

Reference: \_\_\_\_\_

Approval: \_\_\_\_\_

Date: \_\_\_\_\_

Submitted By: \_\_\_\_\_

Unit: \_\_\_\_\_

Drawing #: \_\_\_\_\_

Electrical Requirement	
Power Supply	208/230V, 1 Phase, 60 HZ
Operating Voltage Range	187~253 VAC

Performance	
Rated Cooling Capacity	12,000 BTU
Rated Heating Capacity	13,000 BTU

Piping	
Connection	1/4" (Discharge) 3/8" (Suction) Flare

Indoor Unit	
Uncrated Dimension (HxWxD)	11 x 33 5/8 x 8 in (280 x 855 x 204 mm)
Crated (HxWxD)	14 x 37 1/2 x 11 in (355 x 954 x 279 mm)
Airflow CFM (Turbo/High/Med/Low/Quiet)	440/380/320/265/215
Indoor Sound Level dB (Turbo/High/Med/Low/Quiet)	44/39/34/27/23
Motor Rating (HP)	0.054
Heat Exchanger Fin Type	Blue Fin
Weight (Ship/Net)	26.9/22.0 lbs

### Accessories

#### Remote Controller

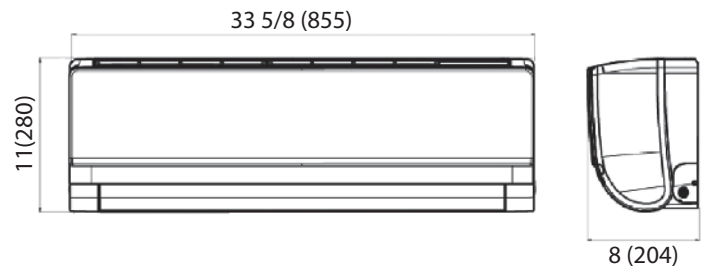
Ships with YR-HG

#### Wired Controller

Compatible with wired controllers YR-E17, YR-E16B, and QACT17A. All wired controllers require interface kit WK-B

#### WiFi

Compatible with WiFi adapter QAWF01A



For more information visit us:  
[www.Haierductless.com](http://www.Haierductless.com)  
[www.Haierductlesshelp.com](http://www.Haierductlesshelp.com)

# Haier Arctic Multi Series Submittal

18000 BTU/HR WALL MOUNTED INVERTER DRIVEN HEAT PUMP SYSTEM(INDOOR for multi-zone)

## AW18LC2VHB

Job Name: \_\_\_\_\_

Purchaser: \_\_\_\_\_

Submitted To: \_\_\_\_\_

Construction: \_\_\_\_\_

Reference: \_\_\_\_\_

Approval: \_\_\_\_\_

Date: \_\_\_\_\_

Submitted By: \_\_\_\_\_

Unit: \_\_\_\_\_

Drawing #: \_\_\_\_\_

Electrical Requirement	
Power Supply	208/230V, 1 Phase, 60 HZ
Operating Voltage Range	187~253 VAC

Performance	
Rated Cooling Capacity	18,000 BTU
Rated Heating Capacity	19,000 BTU

Piping	
Connection	1/4" (Discharge) 1/2" (Suction) Flare

Indoor Unit	
Uncrated Dimension (HxWxD)	13 1/8 x 39 1/4 x 9 1/4 in (332 x 997 x 235 mm)
Crated (HxWxD)	15 7/8 x 42 3/4 x 13 in (403 x 1085 x 329 mm)
Airflow CFM (Turbo/High/Med/Low/Quiet)	636/530/483/430/383
Indoor Sound Level dB (Turbo/High/Med/Low/Quiet)	48/45/40/35/30
Motor Rating (HP)	0.054
Heat Exchanger Fin Type	Blue Fin
Weight (Ship/Net)	35.3/28.7 lbs

### Accessories

#### Remote Controller

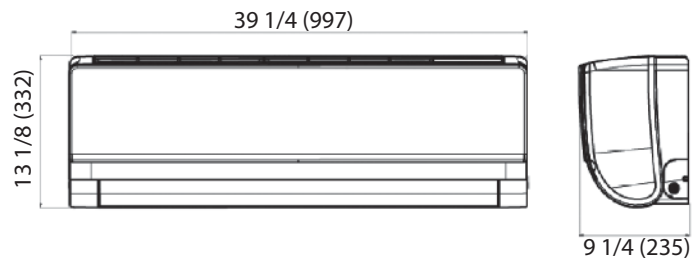
Ships with YR-HG

#### Wired Controller

Compatible with wired controllers YR-E17, YR-E16B, and QACT17A. All wired controllers require interface kit WK-B

#### WiFi

Compatible with WiFi adapter QAWF01A



For more information visit us:  
[www.Haierductless.com](http://www.Haierductless.com)  
[www.Haierductlesshelp.com](http://www.Haierductlesshelp.com)

# Haier Arctic Multi Series Submittal

## 7000 BTU/HR WALL MOUNTED INVERTER DRIVEN HEAT PUMP SYSTEM(INDOOR for multi-zone) AW07EH2VHA

Job Name: \_\_\_\_\_

Purchaser: \_\_\_\_\_

Submitted To: \_\_\_\_\_

Construction: \_\_\_\_\_

Reference: \_\_\_\_\_

Approval: \_\_\_\_\_

Date: \_\_\_\_\_

Submitted By: \_\_\_\_\_

Unit: \_\_\_\_\_

Drawing #: \_\_\_\_\_

Electrical Requirement	
Power Supply	208/230V, 1 Phase, 60 HZ
Operating Voltage Range	187~253 VAC

Performance	
Rated Cooling Capacity	7,000 BTU
Rated Heating Capacity	10,000 BTU

Piping	
Connection	1/4" (Discharge) 3/8" (Suction) Flare

Indoor Unit	
Uncrated Dimension (HxWxD)	12 1/4 x 35 3/8 x 8 1/4 in (310 x 900 x 210 mm)
Crated (HxWxD)	15 3/4 x 39 x 12 3/8 in (399 x 991 x 313 mm)
Airflow CFM (Turbo/High/Med/Low/Quiet)	420/360/300/240/180
Indoor Sound Level dB (Turbo/High/Med/Low/Quiet)	42/39/37/28/23
Motor Rating (HP)	0.054
Heat Exchanger Fin Type	Blue Fin
Weight (Ship/Net)	30.9/ 25.4 lbs

### Accessories

#### Remote Controller

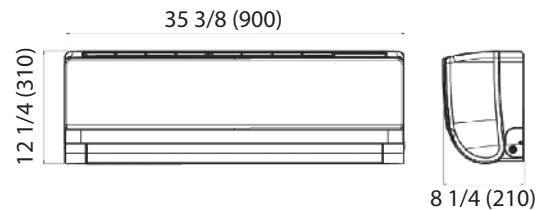
Ships with YR-HG

#### Wired Controller

Compatible with wired controllers YR-E17, YR-E16B, and QACT17A. All wired controllers require interface kit WK-B

#### WiFi

Compatible with WiFi adapter QAWF01A



For more information visit us:  
www.Haierductless.com  
www.Haierductlesshelp.com

# Haier Arctic Multi Series Submittal

## 9000 BTU/HR WALL MOUNTED INVERTER DRIVEN HEAT PUMP SYSTEM(INDOOR for multi-zone) AW09EH2VHA

Job Name: \_\_\_\_\_

Purchaser: \_\_\_\_\_

Submitted To: \_\_\_\_\_

Construction: \_\_\_\_\_

Reference: \_\_\_\_\_

Approval: \_\_\_\_\_

Date: \_\_\_\_\_

Submitted By: \_\_\_\_\_

Unit: \_\_\_\_\_

Drawing #: \_\_\_\_\_

Electrical Requirement	
Power Supply	208/230V, 1 Phase, 60 HZ
Operating Voltage Range	187~253 VAC

Performance	
Rated Cooling Capacity	9,000 BTU
Rated Heating Capacity	12,000 BTU

Piping	
Connection	1/4" (Discharge) 3/8" (Suction) Flare

Indoor Unit	
Uncrated Dimension (HxWxD)	12 1/4 x 35 3/8 x 8 1/4 in (310 x 900 x 210 mm)
Crated (HxWxD)	15 3/4 x 39 x 12 3/8 in (399 x 991 x 313 mm)
Airflow CFM (Turbo/High/Med/Low/Quiet)	470/410/350/290/230
Indoor Sound Level dB (Turbo/High/Med/Low/Quiet)	42/39/37/28/23
Motor Rating (HP)	0.054
Heat Exchanger Fin Type	Blue Fin
Weight (Ship/Net)	30.9/ 25.4 lbs

### Accessories

#### Remote Controller

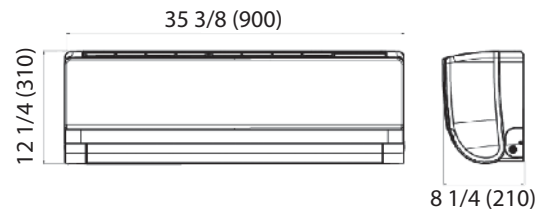
Ships with YR-HG

#### Wired Controller

Compatible with wired controllers YR-E17, YR-E16B, and QACT17A. All wired controllers require interface kit WK-B

#### WiFi

Compatible with WiFi adapter QAWF01A



For more information visit us:  
www.Haierductless.com  
www.Haierductlesshelp.com

# Haier Arctic Multi Series Submittal

12000 BTU/HR WALL MOUNTED INVERTER DRIVEN HEAT PUMP SYSTEM(INDOOR for multi-zone)

## AW12EH2VHA

Job Name: \_\_\_\_\_

Purchaser: \_\_\_\_\_

Submitted To: \_\_\_\_\_

Construction: \_\_\_\_\_

Reference: \_\_\_\_\_

Approval: \_\_\_\_\_

Date: \_\_\_\_\_

Submitted By: \_\_\_\_\_

Unit: \_\_\_\_\_

Drawing #: \_\_\_\_\_

Electrical Requirement	
Power Supply	208/230V, 1 Phase, 60 HZ
Operating Voltage Range	187~253 VAC

Performance	
Rated Cooling Capacity	12,000 BTU
Rated Heating Capacity	16,500 BTU

Piping	
Connection	1/4"(Discharge) 3/8"(Suction) Flare

Indoor Unit	
Uncrated Dimension (HxWxD)	12 1/4 x 35 3/8 x 8 1/4 in (310 x 900 x 210 mm)
Crated (HxWxD)	15 3/4 x 39 x 12 3/8 in (399 x 991 x 313 mm)
Airflow CFM (Turbo/High/Med/Low/Quiet)	440/410/380/311/260
Indoor Sound Level dB (Turbo/High/Med/Low/Quiet)	42/39/37/28/23
Motor Rating (HP)	0.054
Heat Exchanger Fin Type	Blue Fin
Weight (Ship/Net)	30.9/25.4 lbs

### Accessories

#### Remote Controller

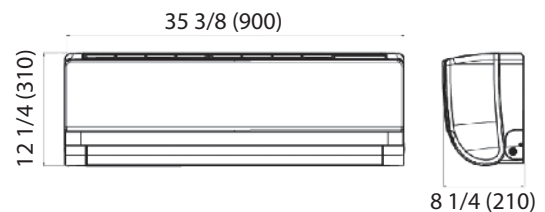
Ships with YR-HG

#### Wired Controller

Compatible with wired controllers YR-E17, YR-E16B, and QACT17A. All wired controllers require interface kit WK-B

#### WiFi

Compatible with WiFi adapter QAWF01A



For more information visit us:  
[www.Haierductless.com](http://www.Haierductless.com)  
[www.Haierductlesshelp.com](http://www.Haierductlesshelp.com)

# Haier Arctic Multi Series Submittal

18000 BTU/HR WALL MOUNTED INVERTER DRIVEN HEAT PUMP SYSTEM(INDOOR for multi-zone)

## AW18EH2VHA

Job Name: \_\_\_\_\_

Purchaser: \_\_\_\_\_

Submitted To: \_\_\_\_\_

Construction: \_\_\_\_\_

Reference: \_\_\_\_\_

Approval: \_\_\_\_\_

Date: \_\_\_\_\_

Submitted By: \_\_\_\_\_

Unit: \_\_\_\_\_

Drawing #: \_\_\_\_\_

Electrical Requirement	
Power Supply	208/230V, 1 Phase, 60 HZ
Operating Voltage Range	187~253 VAC

Performance	
Rated Cooling Capacity	19,000 BTU
Rated Heating Capacity	20,400 BTU

Piping	
Connection	1/4"(Discharge) 1/2"(Suction) Flare

Indoor Unit	
Uncrated Dimension (HxWxD)	14 3/8 x 43 7/8 x 9 5/8 in (366 x 1115 x 243 mm)
Crated (HxWxD)	16 1/2 x 47 1/2 x 13 1/2 in (418 x 1206 x 342 mm)
Airflow CFM (Turbo/High/Med/Low/Quiet)	710/650/560/440/410
Indoor Sound Level dB (Turbo/High/Med/Low/Quiet)	49/47/42/36/34
Motor Rating (HP)	0.094
Heat Exchanger Fin Type	Blue Fin
Weight (Ship/Net)	45.4/37.5 lbs

### Accessories

#### Remote Controller

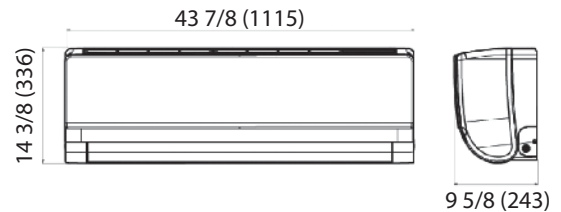
Ships with YR-HG

#### Wired Controller

Compatible with wired controllers YR-E17, YR-E16B, and QACT17A. All wired controllers require interface kit WK-B

#### WiFi

Compatible with WiFi adapter QAWF01A



For more information visit us:  
[www.Haierductless.com](http://www.Haierductless.com)  
[www.Haierductlesshelp.com](http://www.Haierductlesshelp.com)

# Haier Arctic Multi Series Submittal

9000 BTU/HR CASSETTE TYPE INDOOR

## AB09SC2VHA

Job Name: \_\_\_\_\_

Purchaser: \_\_\_\_\_

Submitted To: \_\_\_\_\_

Construction: \_\_\_\_\_

Reference: \_\_\_\_\_

Approval: \_\_\_\_\_

Date: \_\_\_\_\_

Submitted By: \_\_\_\_\_

Unit: \_\_\_\_\_

Drawing #: \_\_\_\_\_



### Electrical Requirement

Power Supply	208/230V, 1 Phase, 60 HZ
Operating Voltage Range	187~253 VAC

### Performance

Rated Cooling Capacity	9,000 BTU
Rated Heating Capacity	10,000 BTU

### Piping

Connection	1/4" (Discharge) 3/8" (Suction) Flare
------------	--

## Accessories

### Remote Controller

Ships with YR-HG

### Wired Controller

Compatible with wired controllers YR-E17, YR-E16B, and QACT17A

### Panel

PB-700IB is required to complete the installation and it must be ordered separately



For more information visit us:  
[www.Haierductless.com](http://www.Haierductless.com)  
[www.Haierductlesshelp.com](http://www.Haierductlesshelp.com)

### Indoor Unit

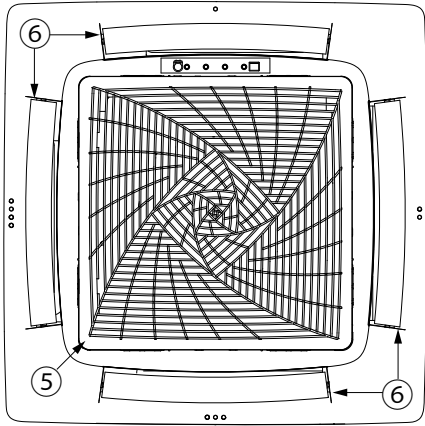
Chassis Uncrated Dimension (HxWxD)	10 1/4 x 22 1/2 x 22 1/2 in (260 x 570 x 570 mm)
Chassis Crated (HxWxD)	15 x 28 1/4 x 26 3/4 in (380 x 718 x 680 mm)
Panel Uncrated Dimension (HxWxD)	2 3/8 x 27 1/2 x 27 1/2 in (60 x 700 x 700 mm)
Panel Crated (HxWxD)	4 1/2 x 29 1/8 x 29 1/2 in (115 x 740 x 750 mm)
Airflow CFM (Turbo/High/Med/Low/Quiet)	410/365/305/265/205
Indoor Sound Level dB (Turbo/High/Med/Low/Quiet)	42/40/36/32/25
Motor Rating (HP)	0.033
Heat Exchanger Fin Type	Blue Fin
Condensate Pump	Included - 47.2 in Lift
Weight (Ship/Net)	46.3/37.5 lbs



# Haier Arctic Multi Series Submittal

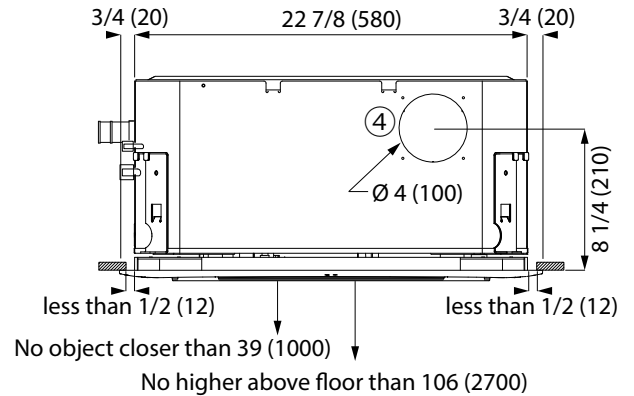
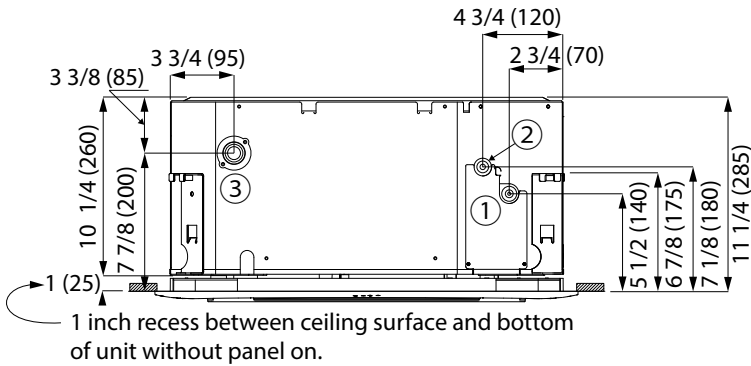
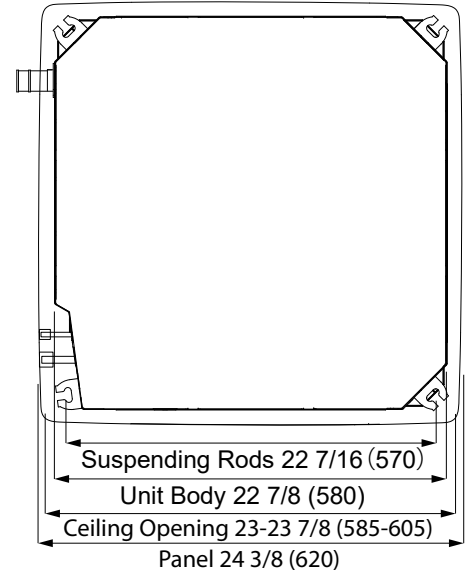
9000 BTU/HR CASSETTE TYPE INDOOR

**AB09SC2VHA**



#	Part Name
1	Vapor Pipe
2	Liquid Pipe
3	Drain Pump Outlet
4	Fresh Air Inlet
5	Air Return Grille
6	Air Supply

More than 59 (1500) to wall on all sides



# Haier Arctic Multi Series Submittal

12000 BTU/HR CASSETTE TYPE INDOOR

## AB12SC2VHA

Job Name: \_\_\_\_\_

Purchaser: \_\_\_\_\_

Submitted To: \_\_\_\_\_

Construction: \_\_\_\_\_

Reference: \_\_\_\_\_

Approval: \_\_\_\_\_

Date: \_\_\_\_\_

Submitted By: \_\_\_\_\_

Unit: \_\_\_\_\_

Drawing #: \_\_\_\_\_



### Electrical Requirement

Power Supply	208/230V, 1 Phase, 60 HZ
Operating Voltage Range	187~253 VAC

### Performance

Rated Cooling Capacity	12,000 BTU
Rated Heating Capacity	13,000 BTU

### Piping

Connection	1/4" (Discharge) 3/8" (Suction) Flare
------------	--

## Accessories

### Remote Controller

Ships with YR-HG

### Wired Controller

Compatible with wired controllers YR-E17, YR-E16B, and QACT17A

### Panel

PB-700IB is required to complete the installation and it must be ordered separately



For more information visit us:  
[www.Haierductless.com](http://www.Haierductless.com)  
[www.Haierductlesshelp.com](http://www.Haierductlesshelp.com)

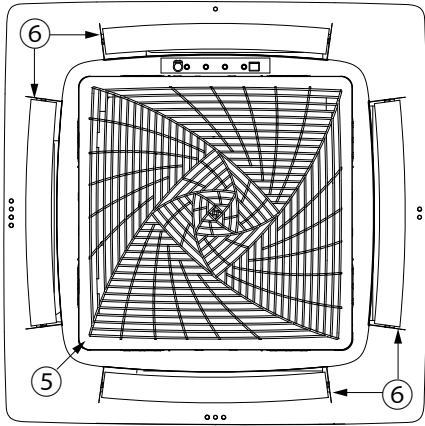
### Indoor Unit

Chassis Uncrated Dimension (HxWxD)	10 1/4 x 22 1/2 x 22 1/2 in (260 x 570 x 570 mm)
Chassis Crated (HxWxD)	15 x 28 1/4 x 26 3/4 in (380 x 718 x 680 mm)
Panel Uncrated Dimension (HxWxD)	2 3/8 x 27 1/2 x 27 1/2 in (60 x 700 x 700 mm)
Panel Crated (HxWxD)	4 1/2 x 29 1/8 x 29 1/2 in (115 x 740 x 750 mm)
Airflow CFM (Turbo/High/Med/Low/Quiet)	410/365/305/265/205
Indoor Sound Level dB (Turbo/High/Med/Low/Quiet)	42/40/36/32/25
Motor Rating (HP)	0.033
Heat Exchanger Fin Type	Blue Fin
Condensate Pump	Included - 47.2 in Lift
Weight (Ship/Net)	48.5/40.8 lbs

# Haier Arctic Multi Series Submittal

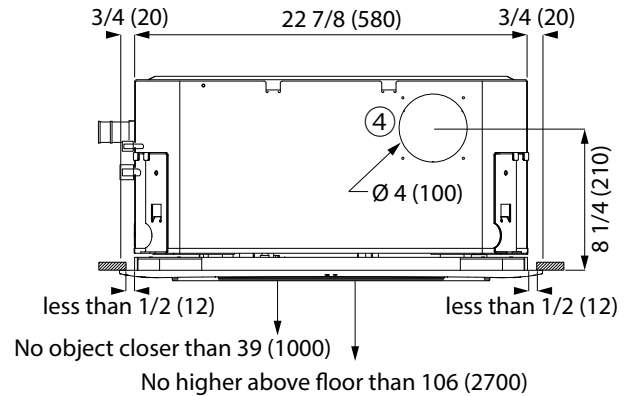
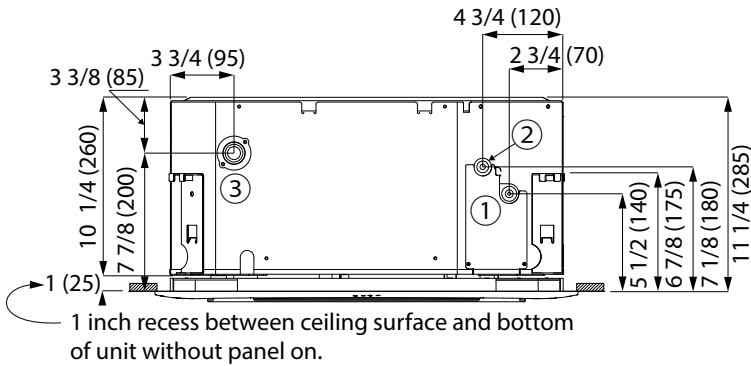
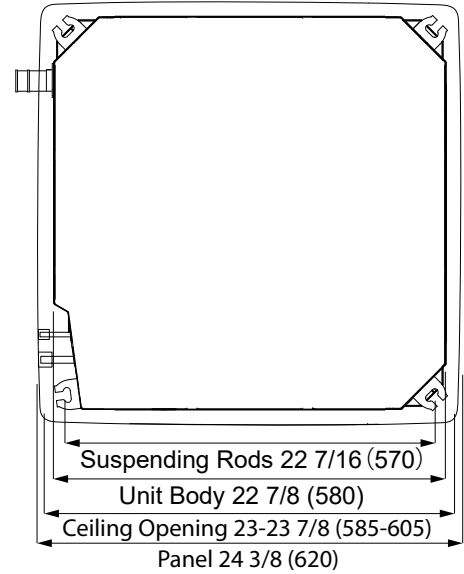
12000 BTU/HR CASSETTE TYPE INDOOR

## AB12SC2VHA



#	Part Name
1	Vapor Pipe
2	Liquid Pipe
3	Drain Pump Outlet
4	Fresh Air Inlet
5	Air Return Grille
6	Air Supply

More than 59 (1500) to wall on all sides



# Haier Arctic Multi Series Submittal

18000 BTU/HR CASSETTE TYPE INDOOR

## AB18SC2VHA

Job Name: \_\_\_\_\_

Purchaser: \_\_\_\_\_

Submitted To: \_\_\_\_\_

Construction: \_\_\_\_\_

Reference: \_\_\_\_\_

Approval: \_\_\_\_\_

Date: \_\_\_\_\_

Submitted By: \_\_\_\_\_

Unit: \_\_\_\_\_

Drawing #: \_\_\_\_\_



### Electrical Requirement

Power Supply	208/230V, 1 Phase, 60 HZ
Operating Voltage Range	187~253 VAC

### Performance

Rated Cooling Capacity	18,000 BTU
Rated Heating Capacity	19,000 BTU

### Piping

Connection	1/4" (Discharge) 1/2" (Suction) Flare
------------	--

## Accessories

### Remote Controller

Ships with YR-HG

### Wired Controller

Compatible with wired controllers YR-E17, YR-E16B, and QACT17A

### Panel

PB-700IB is required to complete the installation and it must be ordered separately



For more information visit us:  
[www.Haierductless.com](http://www.Haierductless.com)  
[www.Haierductlesshelp.com](http://www.Haierductlesshelp.com)

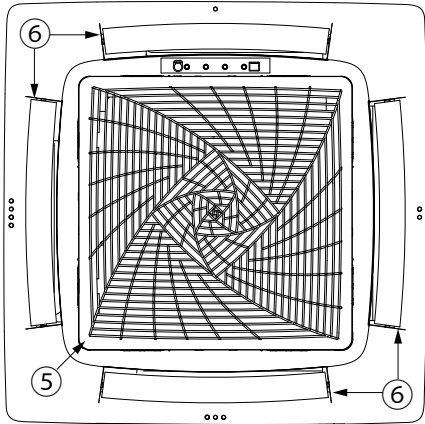
### Indoor Unit

Chassis Uncrated Dimension (HxWxD)	10 1/4 x 22 1/2 x 22 1/2 in (260 x 570 x 570 mm)
Chassis Crated (HxWxD)	15 x 28 1/4 x 26 3/4 in (380 x 718 x 680 mm)
Panel Uncrated Dimension (HxWxD)	2 3/8 x 27 1/2 x 27 1/2 in (60 x 700 x 700 mm)
Panel Crated (HxWxD)	4 1/2 x 29 1/8 x 29 1/2 in (115 x 740 x 750 mm)
Airflow CFM (Turbo/High/Med/Low/Quiet)	470/410/365/295/252
Indoor Sound Level dB (Turbo/High/Med/Low/Quiet)	45/42/40/36/32
Motor Rating (HP)	0.033
Heat Exchanger Fin Type	Blue Fin
Condensate Pump	Included - 47.2 in Lift
Weight (Ship/Net)	48.5/40.8 lbs

# Haier Arctic Multi Series Submittal

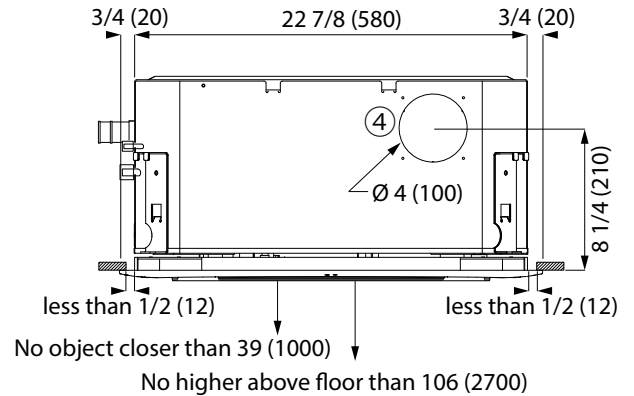
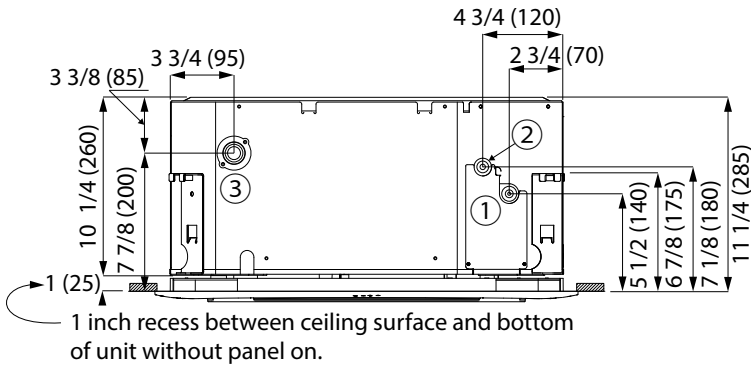
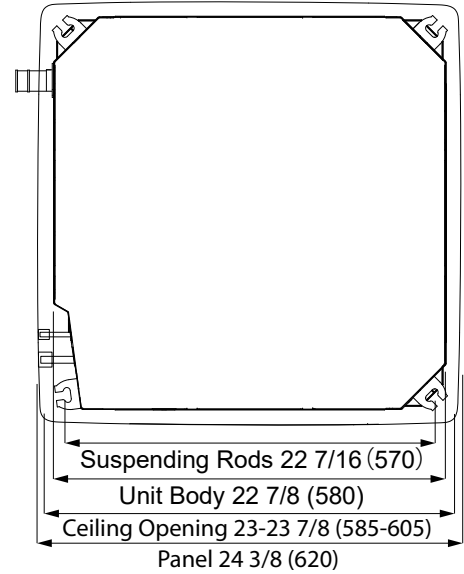
18000 BTU/HR CASSETTE TYPE INDOOR

## AB18SC2VHA



#	Part Name
1	Vapor Pipe
2	Liquid Pipe
3	Drain Pump Outlet
4	Fresh Air Inlet
5	Air Return Grille
6	Air Supply

More than 59 (1500) to wall on all sides



# Haier Arctic Multi Series Submittal

7000 BTU/HR SLIM DUCT TYPE INDOOR

## AD07SL2VHB

Job Name: \_\_\_\_\_

Purchaser: \_\_\_\_\_

Submitted To: \_\_\_\_\_

Construction: \_\_\_\_\_

Reference: \_\_\_\_\_

Approval: \_\_\_\_\_

Date: \_\_\_\_\_

Submitted By: \_\_\_\_\_

Unit: \_\_\_\_\_

Drawing #: \_\_\_\_\_



### Electrical Requirement

Power Supply	208/230V, 1 Phase, 60 HZ
Operating Voltage Range	187~253 VAC

### Performance

Rated Cooling Capacity	7,000 BTU
Rated Heating Capacity	8,000 BTU

### Piping

Connection	1/4" (Discharge) 3/8" (Suction) Flare
------------	--

### Indoor Unit

Uncrated Dimension (HxWxD)	7 1/4 x 33 1/2 x 16 1/2 in (185 x 850 x 420 mm)
Crated (HxWxD)	10 3/8 x 40 3/4 x 21 1/4 in (265 x 1035 x 540 mm)
Maximum ESP (IWC)	0.16
Airflow CFM (Turbo/High/Med/Low/Quiet)	353/312/270/230/188
Indoor Sound Level dB (Turbo/High/Med/Low/Quiet)	35/33/29/26/21
Motor Rating (HP)	0.066
Heat Exchanger Fin Type	Blue Fin
Condensate Pump	Included - 27.5 in Lift
Weight (Ship/Net)	47.2/36.8 lbs

## Accessories

### Remote Controller

Ships with YR-E17

### Wired Controller

Compatible with wired controllers YR-E16B and QACT17A

### Panel

Optional motorized supply and return grille accessory:  
P1B-890IA(I) and P1B-890IA(O) are available

### Grilles

Return Grille - PAD0890RA

Supply Grille - PAD0890SA

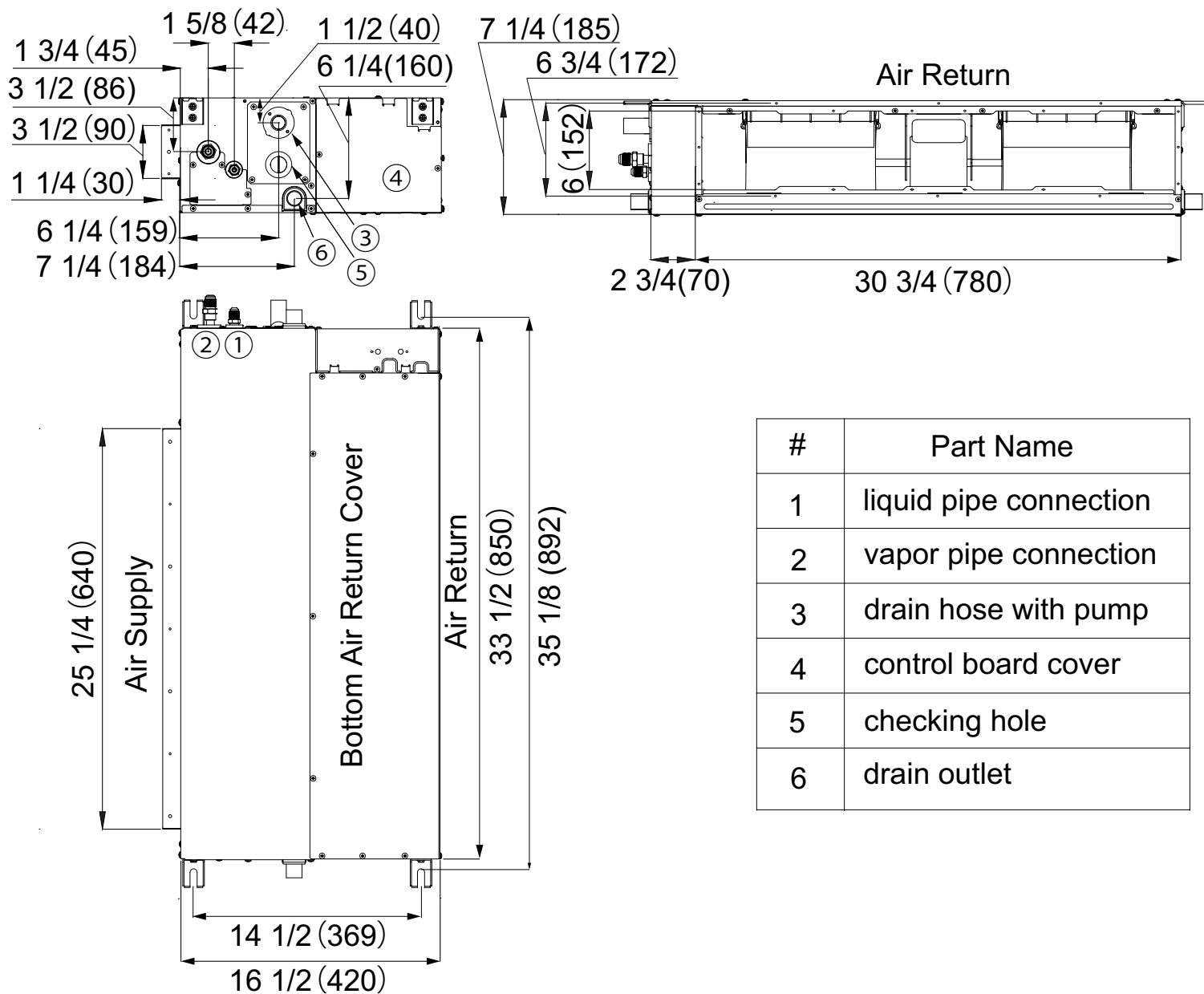


For more information visit us:  
[www.Haierductless.com](http://www.Haierductless.com)  
[www.Haierductlesshelp.com](http://www.Haierductlesshelp.com)

# Haier Arctic Multi Series Submittal

7000 BTU/HR SLIM DUCT TYPE INDOOR

## AD07SL2VHB



#	Part Name
1	liquid pipe connection
2	vapor pipe connection
3	drain hose with pump
4	control board cover
5	checking hole
6	drain outlet

# Haier Arctic Multi Series Submittal

9000 BTU/HR SLIM DUCT TYPE INDOOR

## AD09SL2VHB

Job Name: \_\_\_\_\_

Purchaser: \_\_\_\_\_

Submitted To: \_\_\_\_\_

Construction: \_\_\_\_\_

Reference: \_\_\_\_\_

Approval: \_\_\_\_\_

Date: \_\_\_\_\_

Submitted By: \_\_\_\_\_

Unit: \_\_\_\_\_

Drawing #: \_\_\_\_\_



### Electrical Requirement

Power Supply	208/230V, 1 Phase, 60 HZ
Operating Voltage Range	187~253 VAC

### Performance

Rated Cooling Capacity	9,000 BTU
Rated Heating Capacity	10,000 BTU

### Piping

Connection	1/4" (Discharge) 3/8" (Suction) Flare
------------	--

### Indoor Unit

Uncrated Dimension (HxWxD)	7 1/4 x 33 1/2 x 16 1/2 in (185 x 850 x 420 mm)
Crated (HxWxD)	10 3/8 x 40 3/4 x 21 1/4 in (265 x 1035 x 540 mm)
Maximum ESP (IWC)	0.16
Airflow CFM (Turbo/High/Med/Low/Quiet)	353/312/270/230/188
Indoor Sound Level dB (Turbo/High/Med/Low/Quiet)	35/33/29/26/22
Motor Rating (HP)	0.066
Heat Exchanger Fin Type	Blue Fin
Condensate Pump	Included - 27.5 in Lift
Weight (Ship/Net)	47.2/36.8 lbs

## Accessories

### Remote Controller

Ships with YR-E17

### Wired Controller

Compatible with wired controllers YR-E16B and QACT17A

### Panel

Optional motorized supply and return grille accessory:  
P1B-890IA(I) and P1B-890IA(O) are available

### Grilles

Return Grille - PAD0890RA  
Supply Grille - PAD0890SA

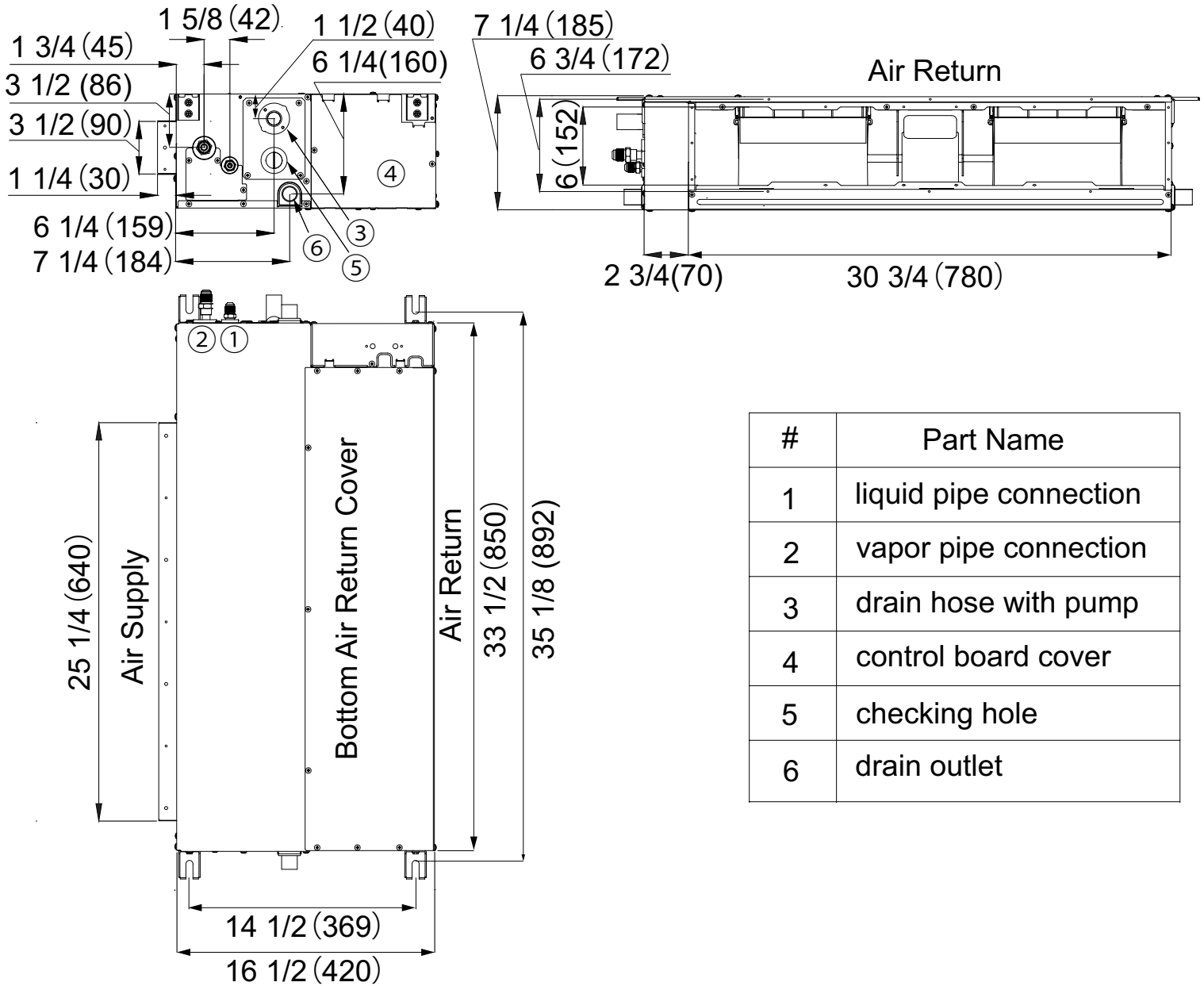


For more information visit us:  
[www.Haierductless.com](http://www.Haierductless.com)  
[www.Haierductlesshelp.com](http://www.Haierductlesshelp.com)



9000 BTU/HR SLIM DUCT TYPE INDOOR

## AD09SL2VHB



#	Part Name
1	liquid pipe connection
2	vapor pipe connection
3	drain hose with pump
4	control board cover
5	checking hole
6	drain outlet

# Haier Arctic Multi Series Submittal

12000 BTU/HR SLIM DUCT TYPE INDOOR

## AD12SL2VHB

Job Name: \_\_\_\_\_

Purchaser: \_\_\_\_\_

Submitted To: \_\_\_\_\_

Construction: \_\_\_\_\_

Reference: \_\_\_\_\_

Approval: \_\_\_\_\_

Date: \_\_\_\_\_

Submitted By: \_\_\_\_\_

Unit: \_\_\_\_\_

Drawing #: \_\_\_\_\_



### Electrical Requirement

Power Supply	208/230V, 1 Phase, 60 HZ
Operating Voltage Range	187~253 VAC

### Performance

Rated Cooling Capacity	12,000 BTU
Rated Heating Capacity	13,000 BTU

### Piping

Connection	1/4" (Discharge) 3/8" (Suction) Flare
------------	--

### Indoor Unit

Uncrated Dimension (HxWxD)	7 1/4 x 33 1/2 x 16 1/2 in (185 x 850 x 420 mm)
Crated (HxWxD)	10 3/8 x 40 3/4 x 21 1/4 in (265 x 1035 x 540 mm)
Maximum ESP (IWC)	0.16
Airflow CFM (Turbo/High/Med/Low/Quiet)	400/353/282/247/218
Indoor Sound Level dB (Turbo/High/Med/Low/Quiet)	38/35/29/26/23
Motor Rating (HP)	0.085
Heat Exchanger Fin Type	Blue Fin
Condensate Pump	Included - 27.5 in Lift
Weight (Ship/Net)	47.2/36.8 lbs

## Accessories

### Remote Controller

Ships with YR-E17

### Wired Controller

Compatible with wired controllers YR-E16B and QACT17A

### Panel

Optional motorized supply and return grille accessory:  
P1B-890IA(I) and P1B-890IA(O) are available

### Grilles

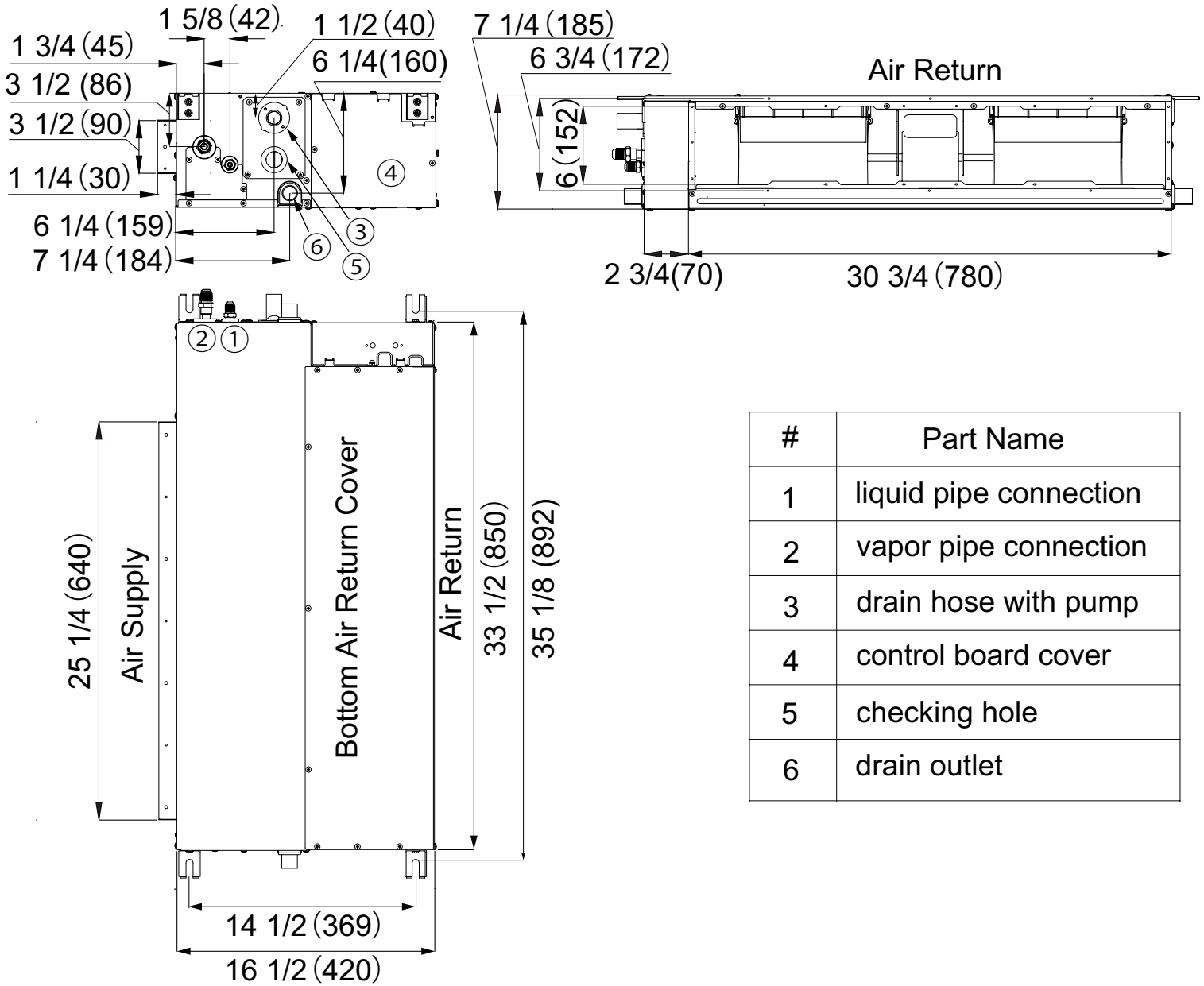
Return Grille - PAD0890RA  
Supply Grille - PAD0890SA



For more information visit us:  
[www.Haierductless.com](http://www.Haierductless.com)  
[www.Haierductlesshelp.com](http://www.Haierductlesshelp.com)

12000 BTU/HR SLIM DUCT TYPE INDOOR

## AD12SL2VHB



#	Part Name
1	liquid pipe connection
2	vapor pipe connection
3	drain hose with pump
4	control board cover
5	checking hole
6	drain outlet

# Haier Arctic Multi Series Submittal

18000 BTU/HR SLIM DUCT TYPE INDOOR

## AD18SL2VHB

Job Name: \_\_\_\_\_

Purchaser: \_\_\_\_\_

Submitted To: \_\_\_\_\_

Construction: \_\_\_\_\_

Reference: \_\_\_\_\_

Approval: \_\_\_\_\_

Date: \_\_\_\_\_

Submitted By: \_\_\_\_\_

Unit: \_\_\_\_\_

Drawing #: \_\_\_\_\_



### Electrical Requirement

Power Supply	208/230V, 1 Phase, 60 HZ
Operating Voltage Range	187~253 VAC

### Performance

Rated Cooling Capacity	18,000 BTU
Rated Heating Capacity	19,000 BTU

### Piping

Connection	1/4" (Discharge) 1/2" (Suction) Flare
------------	--

### Indoor Unit

Uncrated Dimension (HxWxD)	7 1/4 x 33 1/2 x 16 1/2 in (185 x 850 x 420 mm)
Crated (HxWxD)	10 3/8 x 40 3/4 x 21 1/4 in (265 x 1035 x 540 mm)
Maximum ESP (IWC)	0.16
Airflow CFM (Turbo/High/Med/Low/Quiet)	540/500/447/365/306
Indoor Sound Level dB (Turbo/High/Med/Low/Quiet)	31/29/23/29/25
Motor Rating (HP)	0.114
Heat Exchanger Fin Type	Blue Fin
Condensate Pump	Included - 27.5 in Lift
Weight (Ship/Net)	62.4/48.5 lbs

## Accessories

### Remote Controller

Ships with YR-E17

### Wired Controller

Compatible with wired controllers YR-E16B and QACT17A

### Panel

Optional motorized supply and return grille accessory:  
P1B-890IA(I) and P1B-890IA(O) are available

### Grilles

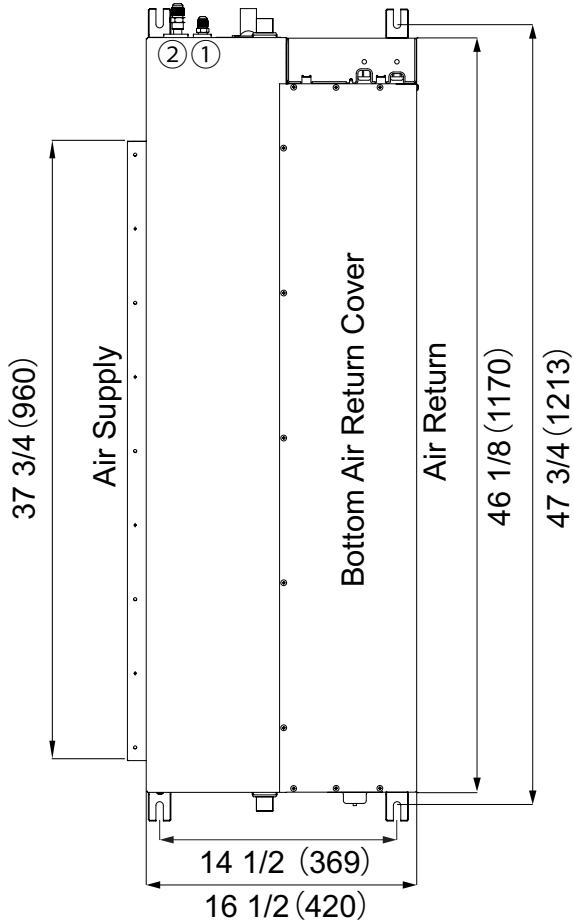
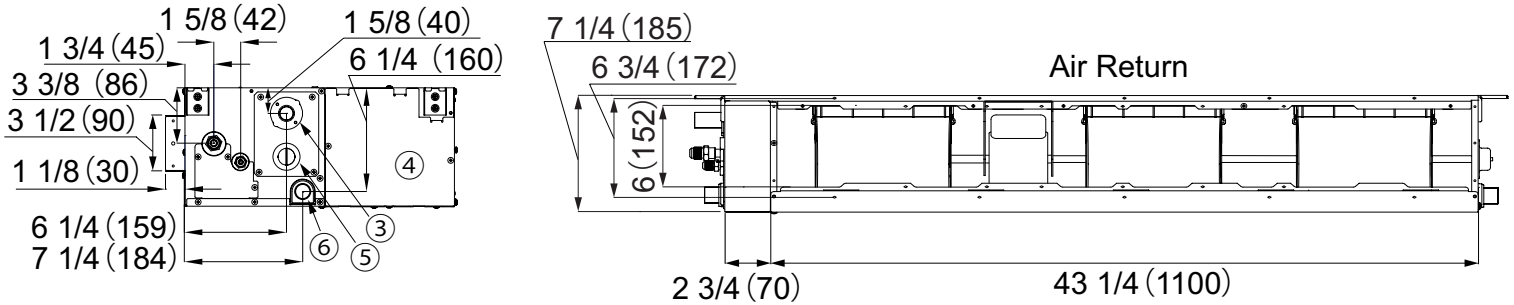
Return Grille - PAD1210RA  
Supply Grille - PAD1210SA



For more information visit us:  
[www.Haierductless.com](http://www.Haierductless.com)  
[www.Haierductlesshelp.com](http://www.Haierductlesshelp.com)

18000 BTU/HR SLIM DUCT TYPE INDOOR

## AD18SL2VHB



#	Part Name
1	liquid pipe connection
2	vapor pipe connection
3	drain hose with pump
4	control board cover
5	checking hole
6	drain outlet