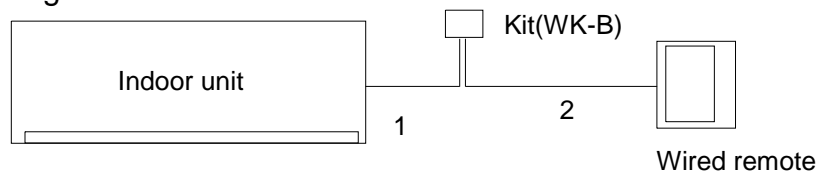

Installation & Maintenance Manual for Wired Controller Kit WK-B

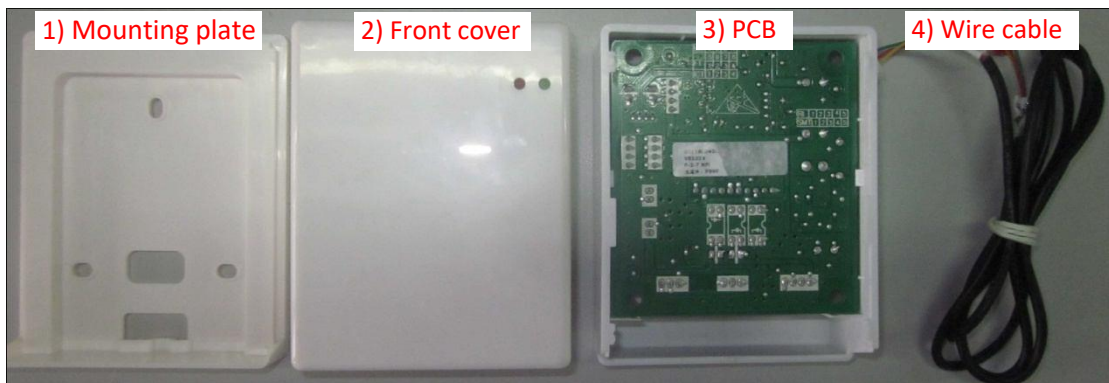
This wired controller kit WK-B is required when connecting a wired remote controller, YR-E17 or YR-E16B or QACT17A, to a wall mount type of indoor.

1. Installation parts

Installation diagram review



Step 1: This package includes the following accessories, 1) Mounting plate 2) Front cover 3) PCB Board 4) Wire cable 3.3 ft



Picture 1.1

Step 2: Choose a proper location to install, eg. above the top or by the side of the unit



Picture 1.2

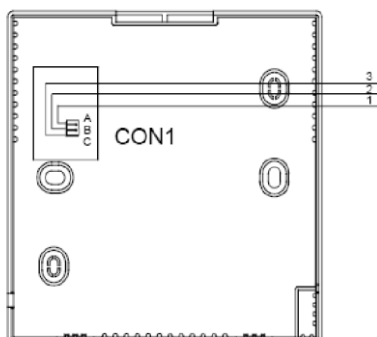
Step3 Remove the mounting plate by sliding it off. Insert the wire cable from the bottom hole as shown in picture 1.3. Attach the plate with 3 screws to the wall.



Picture 1.3

Step 4: Connect the adapter to the wall mount unit. Connect the RED end of the cable that is supplied with the WK-B adapter to CN2 on the PCB of the wall mount indoor unit. Connect the shielding ground to the terminal block ground screw. The WHITE end of the cable is plugged into CN5 of the WK-B adapter.

Step 5: Connect the wired control and WK-B. Connect the wire cable that came with the wired control to CN1 on WK-B. The other end of the cable goes to the wired control.



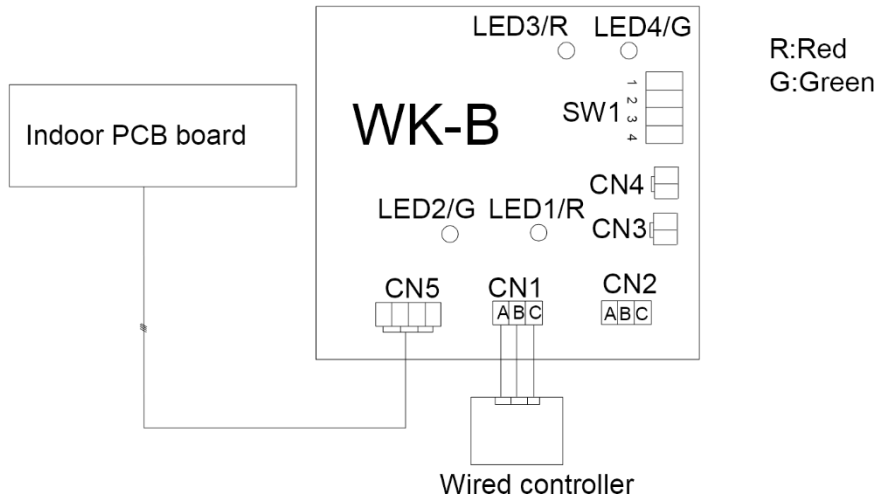
Picture 1.4

Step 6: Slide the cover and PCB onto the mounting base.

2. Maintenance Parts

This kit is only available for wired remote controller YR-E16B and YR-E17 and QACT17A.

2.1 Wire Diagram for Single Zone



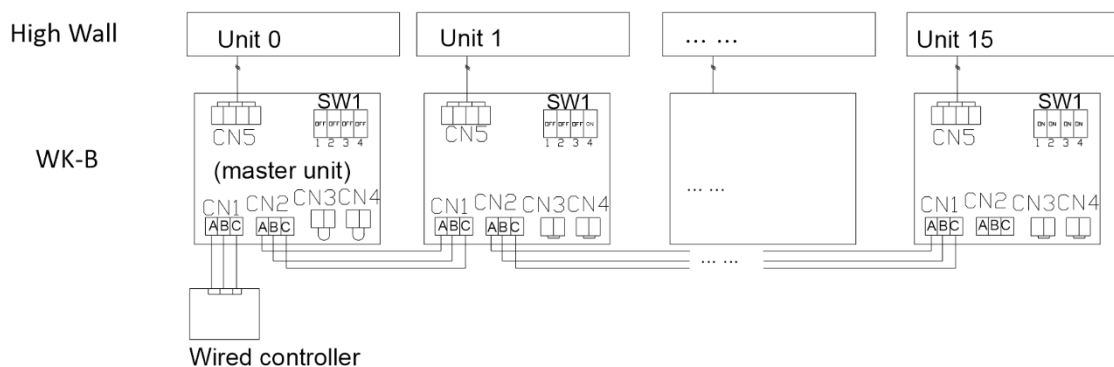
Picture 2.1

Remark:

- (1) SW1 Default DIP switch: OFF/OFF/OFF/OFF
- (2) The jumpers on terminals CN3 and CN4 are not to be removed.

2.2 Wire Diagram for Multi Zone (Master and Slave)

Up to 16 indoor units can be connected to a single wired remote at the same time. Each indoor unit requires a WK-B adapter.



Picture 2.2

Remark:

- (1) The first high wall indoor unit to connect with WK-B is considered as master unit 0.

(2) Remove the jumpers on CN3 and CN4.

(3) The wired control must connect to CN1 of the WK-B master unit (unit 0).

(4) Connect the CN2 on the master unit (unit 0) to the next WK-B slave unit (unit 1) CN1 or CN2. Only the master unit (unit 0) must use CN1 for the control. All others may use CN1 or CN2. See Picture 2.2.

(5) Set the dipswitch address of the WK-B adapter. The adapters ship with all switches off (master).

Unit No.	DIP Switch position (1234)	Unit No.	DIP Switch position (1234)
0 (master)	off off off off	8	on off off off
1	off off off on	9	on off off on
2	off off on off	10	on off on off
3	off off on on	11	on off on on
4	off on off off	12	on on off off
5	off on off on	13	on on off on
6	off on on off	14	on on on off
7	off on on on	15	on on on on

2.3 Indicator Light

2.3.1 LED1 (red) light, LED2 (green) light is the communication indicator. Located by the CN1 connection. The lights flicker to indicate communication between the adapter and the indoor unit.

2.3.2 LED3 (red) light is the failure indicator. Only lights when fault is present.

1 flash: communication failure between indoor unit and WK-B.

2 flash: communication failure between wired remote and WK-B.

2.3.3 LED4 (green) light is the power indicator. On when adapter is powered.

