

COLORED PANEL REPLACEMENT CABINETS - AGCP SERIES



IMPORTANT - READ ALL INSTRUCTIONS BEFORE YOU BEGIN

THE INSTRUCTIONS HEREIN SHOULD BE PERFORMED BY A QUALIFIED SERVICE TECHNICIAN. IF CABINET OR DRAWER IS NEAR AN APPLIANCE, IT MUST BE COMPLETELY COOL AND THE GAS SOURCE MUST BE SHUT OFF. THE POWER MUST BE DISCONNECTED.

CAUTION

Some parts inside your cabinet or drawer have sharp edges. Care must be taken when handling the various components to avoid personal injury. Wear gloves when handling.

TOOLS REQUIRED:

Flat and Phillips screwdrivers

PART REPLACEMENT - TYPICAL DOOR (VARIOUS PRODUCTS)



1. Unclip door hinge from frame. Consult the Installation Manual 009798 or 009799 which came with your cabinet product. If door was part of a Grill Cart, consult the manual which came with the cart.

Remove the hinges from the back face of the door as shown in Fig. 1.

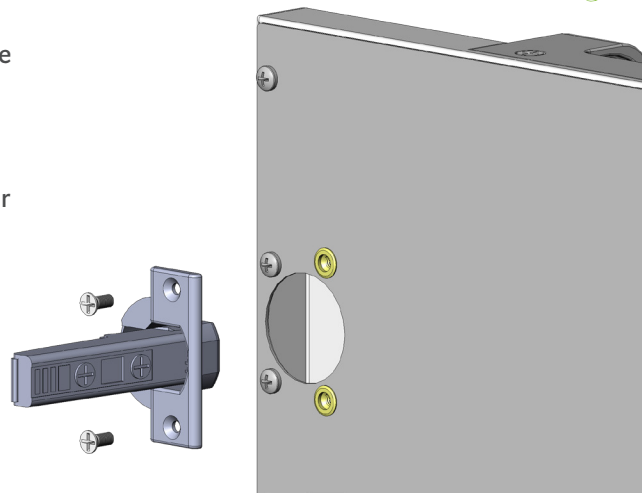


FIG. 1

2. Lay the door on a flat surface with a blanket or towel to protect the door finish. Remove the door liner by removing all screws as shown in Fig. 2.

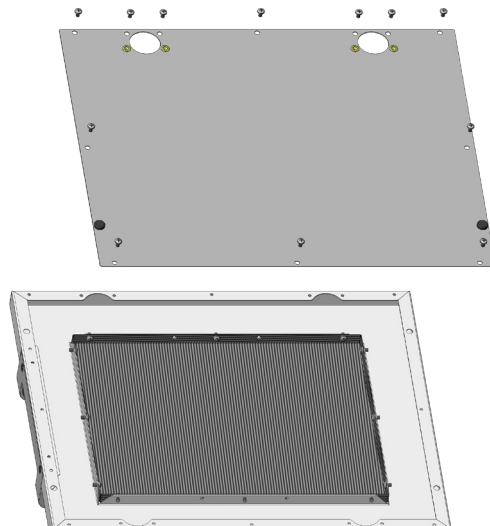


FIG. 2



PART REPLACEMENT - TYPICAL DOOR (CONTINUED)

3. Remove the textured panel insert by removing all the internal screws as shown in Fig. 3.
4. Re-assembly is the reverse process. It is recommended to install all screws by hand, and NOT use a drill-driver or screw gun. It is very easy to strip the threaded holes.

Re-attach and adjust doors to frame as per Installation Manual 009798 or 009799 which came with your cabinet product.

If the door was part of a Grill Cart, consult the manual which came with the cart.

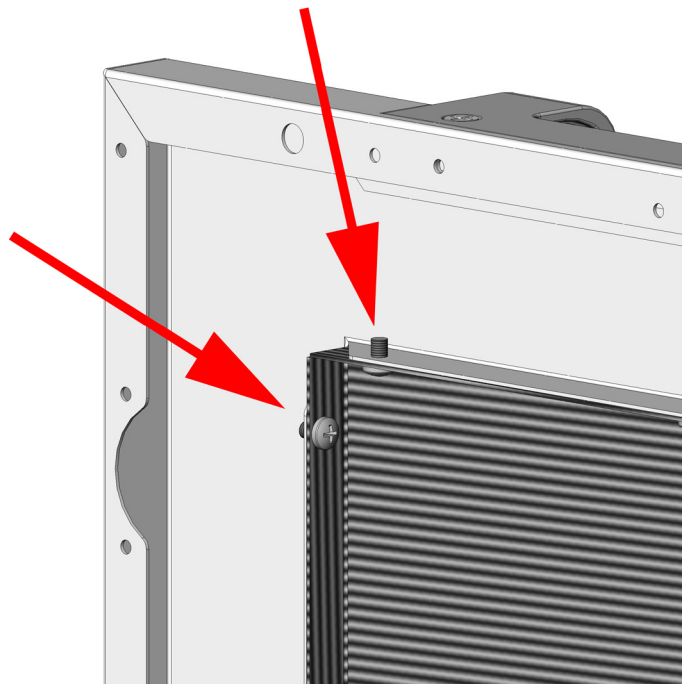
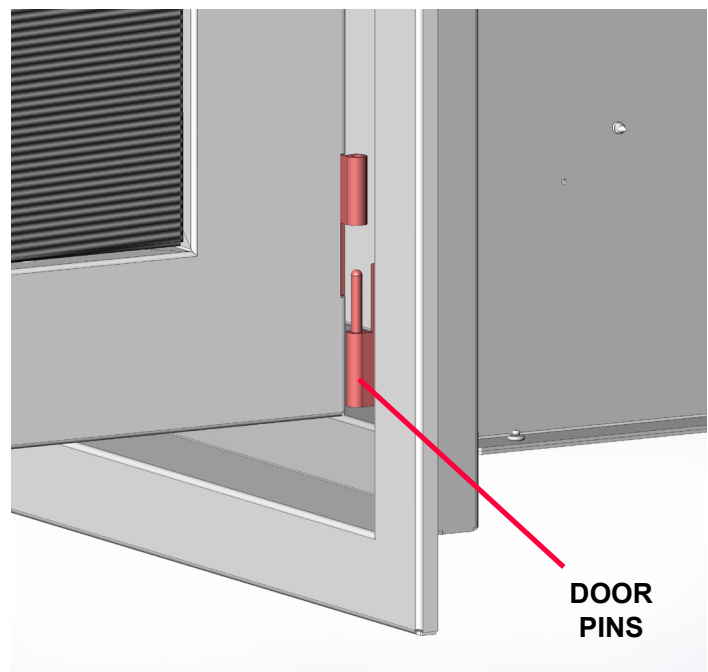


FIG. 3



PART REPLACEMENT - LIFT-OFF DOOR (AGLP)

1. For the AGLP cabinet, remove the door by pulling straight up until the door comes off the pins (shown here in red). Panel replacement is the same as step 2-4 in the previous section.

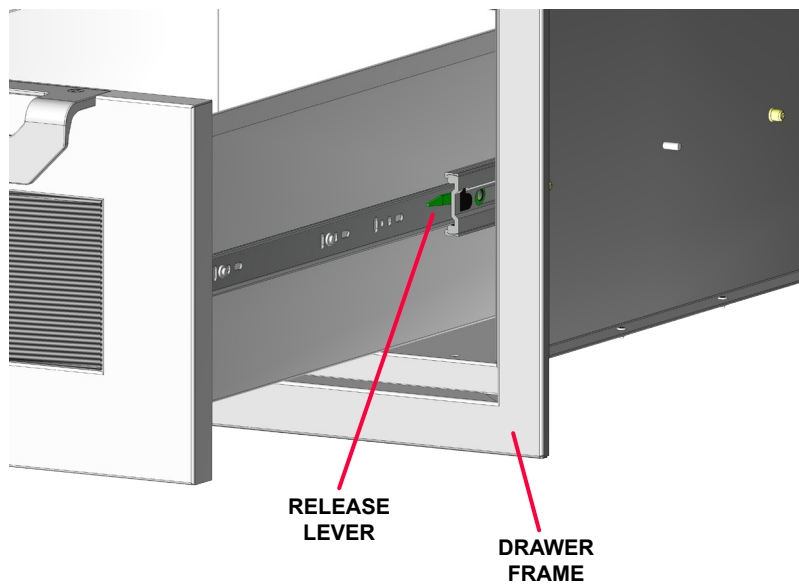


PART REPLACEMENT - TYPICAL DRAWER



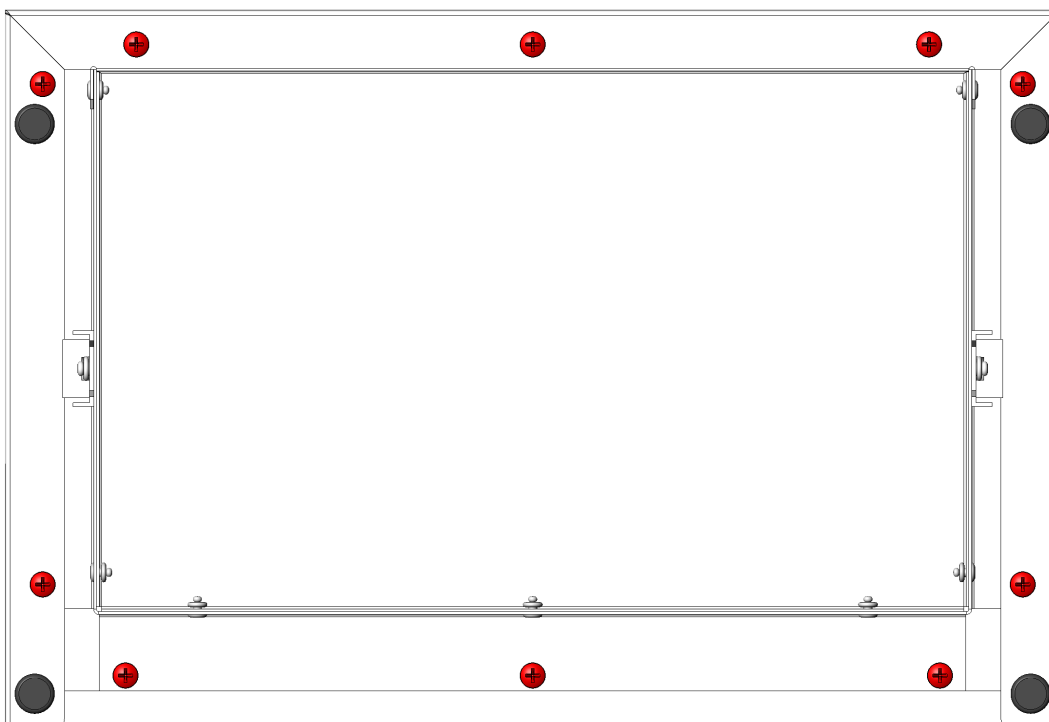
1. To remove the drawer(s) from the box, press the release lever (shown here in green) on each side of the drawer to disengage the slide (up on the left, down on the right), then pull the drawer all the way out.

Cart drawers are removed in a similar way.



EN

2. Lay the drawer face-down on a flat surface with a blanket or towel to protect the finish. Remove the drawer face from the drawer box by removing 10 screws as shown below in red.





PART REPLACEMENT - TYPICAL DRAWER (CONTINUED)

3. Remove the textured panel insert by removing all the internal screws as shown in Fig. 4.
4. Re-assembly is the reverse process. It is recommended to install all screws by hand, and NOT use a drill-driver or screw gun. It is very easy to strip the threaded holes.

Reinstall the drawer by aligning the slides on either side and push the drawer back into the opening. You will hear the release levers click. Open and close the drawer a few times to check for proper function and alignment.

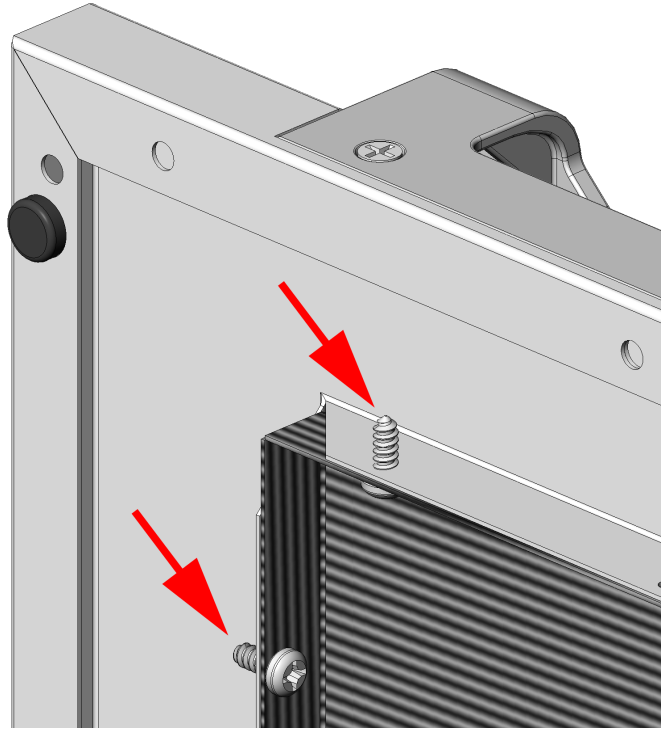
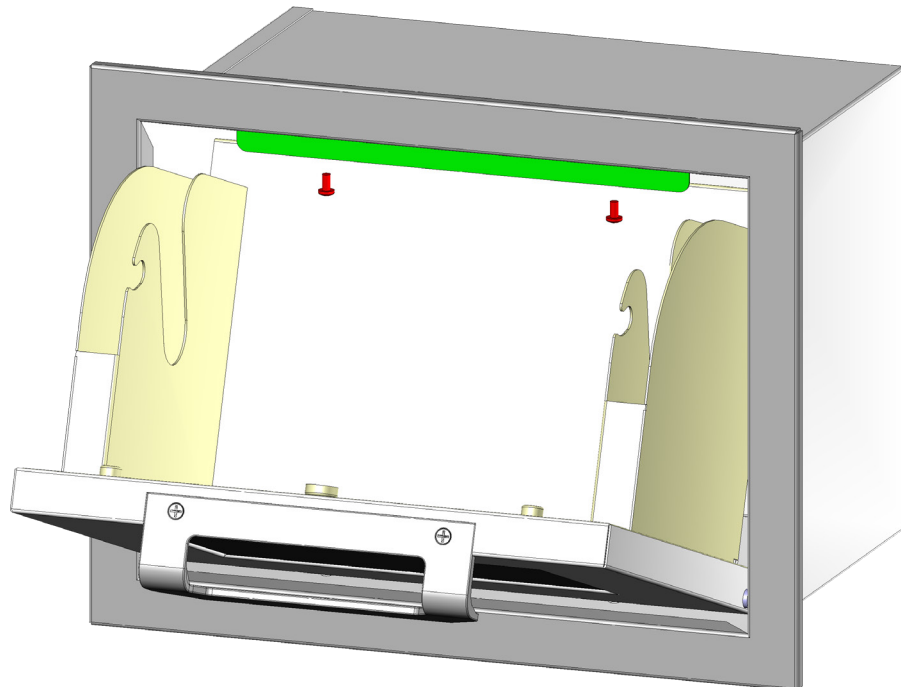


FIG. 4



PART REPLACEMENT - PAPER TOWEL DISPENSER

1. For the AGPTD16 Paper Towel Dispenser, slightly close the door and remove 2 hidden screws (shown in red) and the door stop (shown in green). The door will open further, exposing the inner walls of the box.

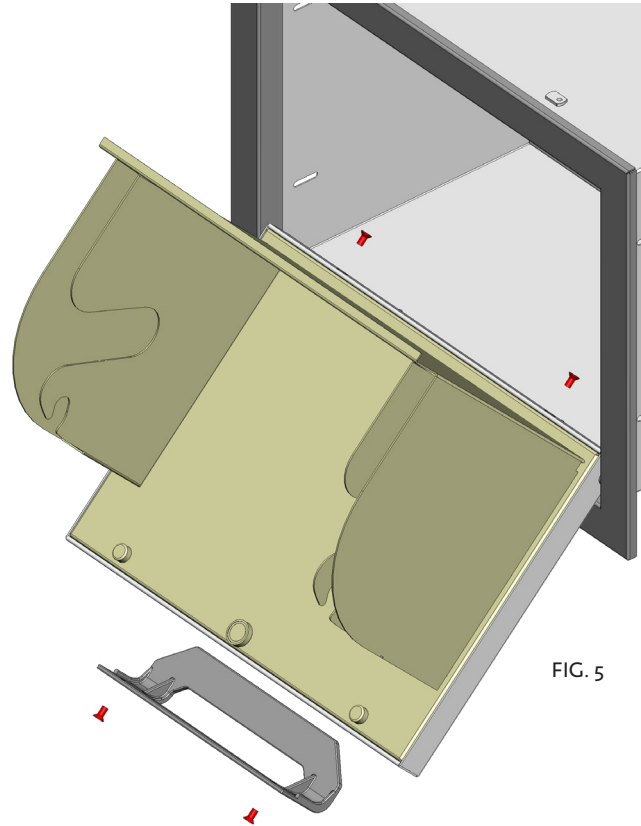


PART REPLACEMENT - PAPER TOWEL DISPENSER (CONTINUED)

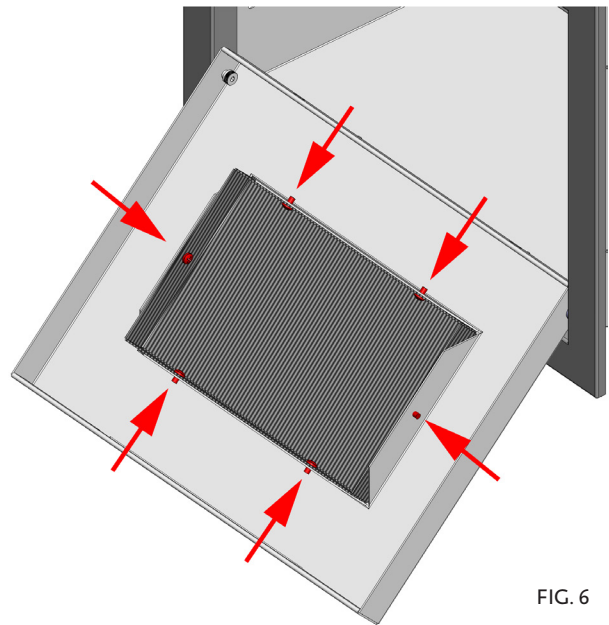


EN

2. Reach inside to remove 2 screws at rear edge of door, then 2 screws and handle. The entire inner panel with towel holder walls will come out (Fig. 5).



3. Remove the textured panel insert by removing all the internal screws as shown in Fig. 6.
4. Re-assembly is the reverse process. It is recommended to install all screws by hand, and NOT use a drill-driver or screw gun. It is very easy to strip the threaded holes.

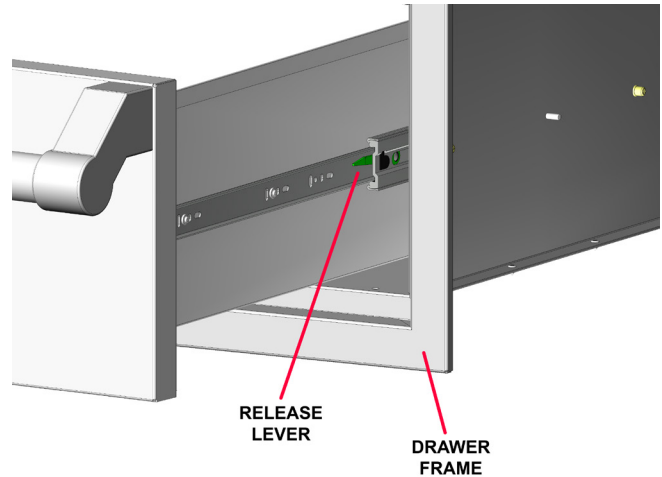




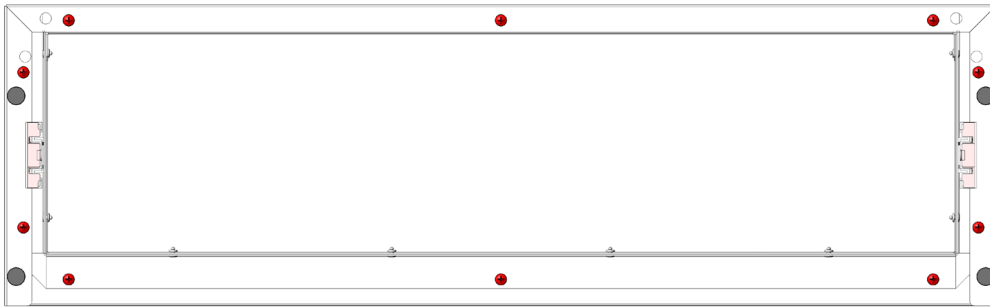
PART REPLACEMENT - STORAGE DRAWER (AGSR30/36)

EN

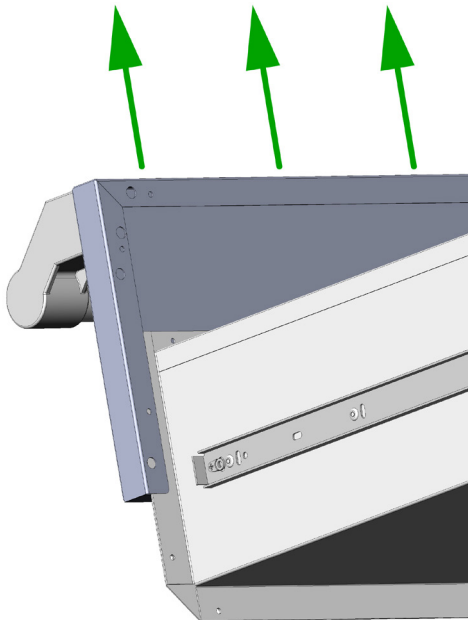
1. To remove the drawer from the box, press the release lever (shown here in green) on each side of the drawer to disengage the slide (up on the left, down on the right), then pull the drawer all the way out.



2. Lay the drawer face-down on a flat surface with a blanket or towel to protect the finish and the handle. Remove the drawer face from the drawer box by removing 10 screws as shown below in red. Remove 4 rubber bumpers as well.



3. The drawer face should slide off as shown below. The screws which secure the handle endcaps are now accessible and can be removed.



4. The handle and endcaps can be transferred to the new drawer face. Re-assembly is the reverse process. It is recommended to install all screws by hand, and NOT use a drill-driver or screw gun. It is very easy to strip the threaded holes. Reinstall the drawer by aligning the slides on either side and push the drawer back into the opening. You will hear the release levers click. Open and close the drawer a few times to check for proper function and alignment. Don't forget to re-install the rubber bumpers.