

CAD-BND

INSTALLATION INSTRUCTIONS

IMPORTANT!

Before you begin, read these instructions completely and carefully.

CAUTION:

Some parts have sharp edges; care must be taken when handling the various components to avoid injury. Wear gloves when handling.

Two or more people should work together to mount the Bend Unit. CAD-BND Bend Unit must be installed between CAD carts or Refrigerator Wrappers.

Getting Started

- Remove packaging

Contents

Description	Qty
CAD-BND Bend Unit	1
Hex Bolt SS 1/4-20 x 1/2"	4
Washer 5/16" ID x 3/4" OD	8
Hex Nut 1/4-20	4

Tools Needed

Eye Goggles
Work Gloves
7/16" Socket and Ratchet Driver
7/16" Box or Open End Wrench
Screw Driver - Phillips #2

Locating the Bend Unit:

For proper use, this product should be installed/positioned on a flat ground or patio. Unevenness such as bumps, cracks and protrusions should be 1/4" or less. If positioning the Bend Unit on uneven ground, it is recommend to mount the CAD carts on leveling legs (CAD-LVL). If mounting to a refrigerator, the built in leveling legs can serve the same purpose.

Before Installing:

Before you begin installing the CAD-BND Bend Unit, make note of the four sets of mounting holes located near the top of the sidewalls. The Bend Unit is capable of a variety of configurations that require use of different mounting holes. The top row of holes will be used when mounting to any CAD cart; the bottom row of holes will be used for mounting to any of the wrappers for outdoor refrigeration products; the rear set of holes will be used in the standard orientation; the front set of holes will be used in the reverse orientation (Fig. 01). The Bend Unit can be mounted to all size CAD carts as well as all outdoor refrigeration products equipped with a wrapper.

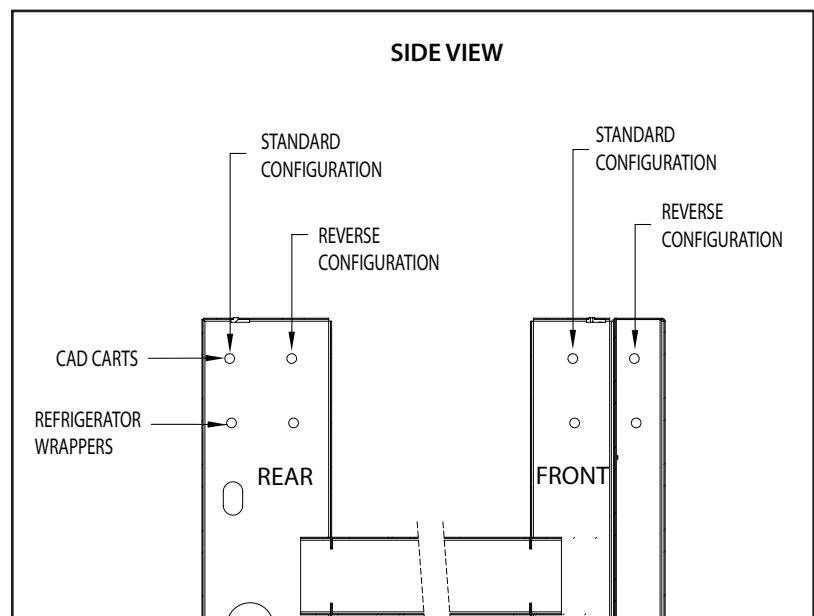


Fig. 01

The Bend Unit can be mounted in the standard orientation, with the front of the attached carts and/or refrigerators facing inward, or mounted in the reverse orientation. In the reverse orientation, the front of the carts and/or refrigerators will face away from each other, giving the user more elbowroom. The reverse orientation also provides better use of counter space, easier access to the storage space in the Bend Unit and prevents crowding from open doors or drawers.

The side on which the door is located can also be changed for further customization. Please see the instructions on reversing the door. This must be done before mounting the Bend Unit to any cart or refrigeration unit.

There are four ways to mount the CAD-BND Bend Unit. Choose your desired configuration from the pictures below and turn to the corresponding page for mounting instructions.



Standard Orientation with cart (see page 4)



Standard Orientation with refrigerator (see page 5)



Reverse Orientation with cart* (see page 6)



Reverse Orientation with refrigerator** (see page 6)

* Unit shown with door in factory location (right).

** Unit shown with door in left position.

Installation Instructions

Reversing Side of Door (CAD-BND)

Note: *The side on which the door is located can be reversed to provide easy access and desired positioning. This must be done before securing the Bend Unit to any supporting cart or refrigerator (Fig. 02).*



Fig. 02

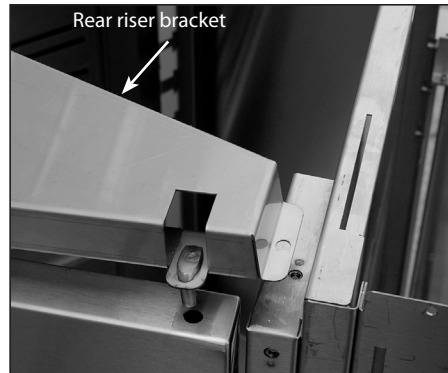


Fig. 03

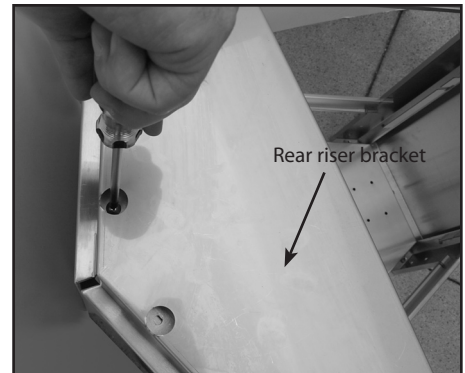


Fig. 04

1. Remove the screws from the top of the rear riser bracket to separate it from the rear wall and sidewalls (Fig. 03 and 04).
2. Lift rear riser off, making sure to hold the door as the hinge pin is pulled out of the door. Remove the door and riser bracket and place them out of the way.
3. Tilt the entire Bend Unit on its side, with the rear wall nearest the ground. Remove the screws that hold the rear wall to the sidewall and the floor panel of the Bend Unit (Fig. 05 and 06). The rear wall can now be separated from the Bend Unit and placed off to the side.
4. Next, tilt the Bend Unit onto its opposite side, replace the rear wall on the other side. Using the same screws that were removed in Step 3, attach the rear wall to the opposite side of the floor panel and the opposite sidewall. Then stand the unit up.
5. Before replacing the door and rear riser bracket, the latch must be moved to the hole on the opposite side of the riser (Fig. 07). No hardware is needed.
6. Replace the rear riser on the Bend Unit, making sure to install the door. Drive the screws in the top of the riser to secure it to the rear wall.

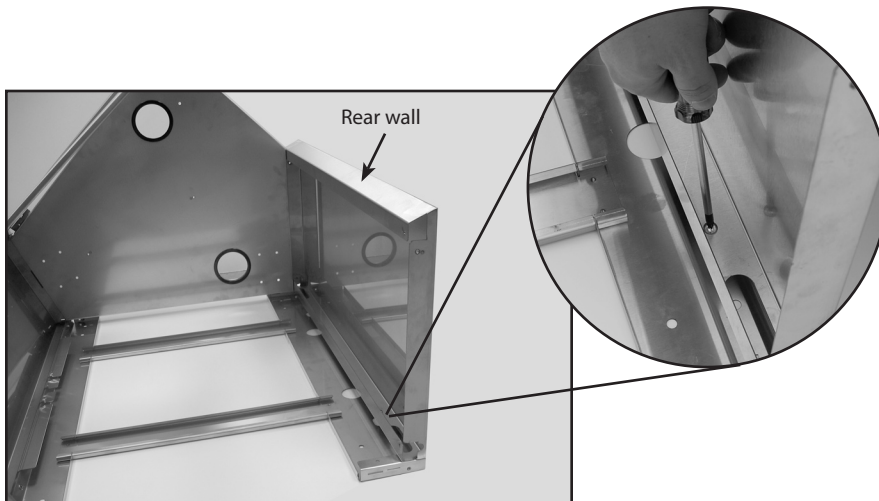


Fig. 05

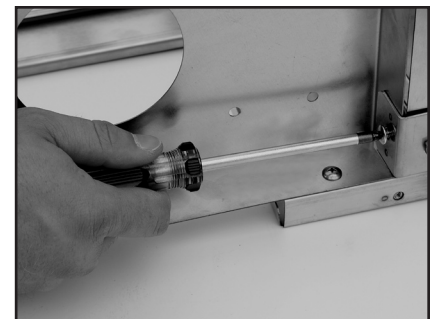


Fig. 06

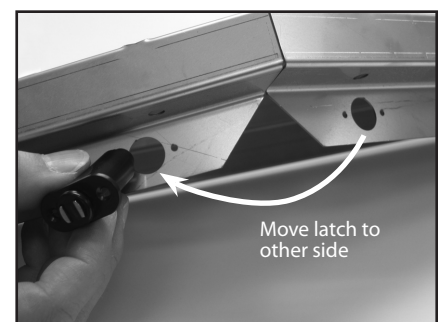


Fig. 07

CAD-BND to a CAD Cart:

1. Position the CAD cart in the intended position.
2. Place the three cardboard lifters from the packaging on the ground next to the cart in the approximate position of the Bend Unit (Fig. 08).
3. Place the Bend Unit on top of the lifters, adjacent to the CAD cart. To ensure proper alignment, make sure the back of the cart is flush with the rear wall or door of the Bend Unit (Fig. 09).
4. Remove the door from the Bend Unit by removing the screw holding the rear riser bracket near the door hinge (Fig. 10). This must be done to provide access to the mounting holes.
5. Secure the two together using (2) hex bolts (1/4-20 x 1/2"), (4) washers (5/16 x 3/4), and (2) hex nuts (1/4-20) through the top/rear set of holes in the Bend Unit and middle holes in the cart (Fig.11).
6. Position the second cart on the other side of the Bend Unit and secure to the Bend Unit as in Step 5.
7. Once the Bend Unit and both carts are secured, re-install the door, remove the cardboard lifters and place the solid surface on top.
8. Once complete the units should look like Fig. 12.

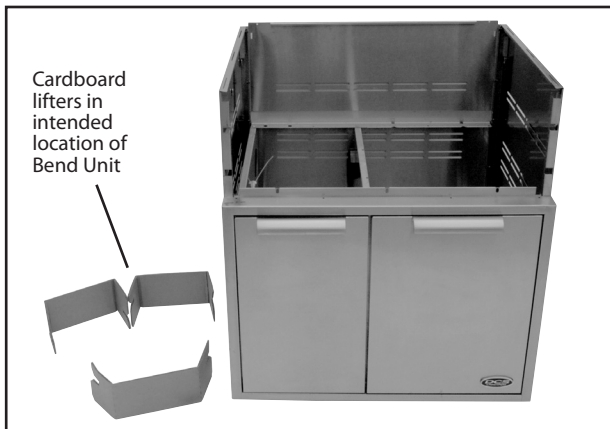


Fig. 08

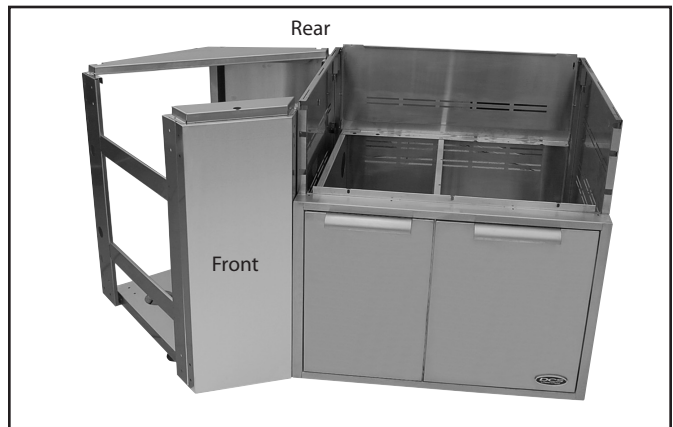


Fig. 09

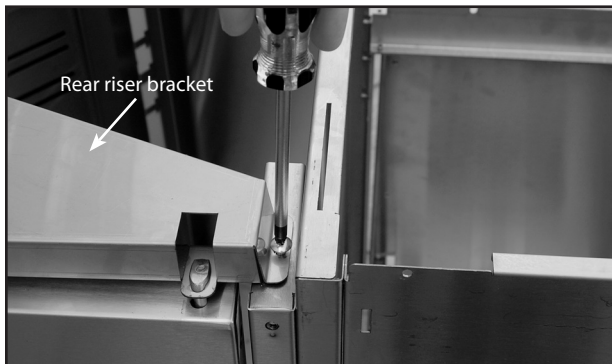


Fig. 10

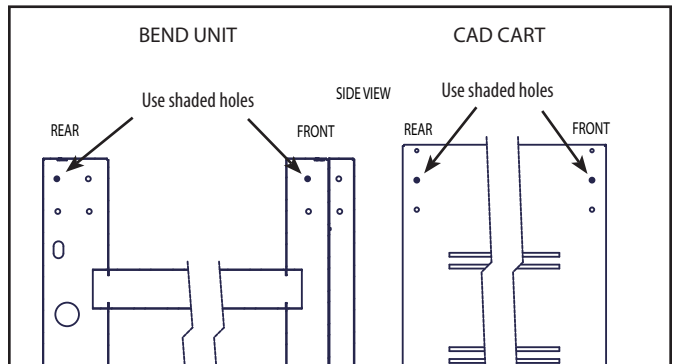


Fig. 11



Fig. 12

CAD-BND to a Refrigerator with Wrapper (WR24RTD or WR15I):

1. Position the refrigerator in the intended position and attach the wrapper per the instructions provided with the wrapper.
2. Place the three cardboard lifters from the packaging on the ground next to the refrigerator in the approximate position of the Bend Unit (Fig. 13).
3. Place the Bend Unit on top of the lifters, adjacent to the refrigerator (Fig. 14).
4. Remove the door from the Bend Unit by removing the screw holding the rear riser bracket near the door hinge (Fig. 15). This must be done to provide access to the mounting holes.
5. Secure the two together using (2) hex bolts (1/4-20 x 1/2") through the bottom/rear set of holes in the Bend Unit into the bottom holes in the refrigerator (Fig. 16).
6. Position the second refrigerator or cart on the other side of the Bend Unit and secure to the Bend Unit as in Step 5.
7. When the Bend Unit is secured to the two supporting structures (refrigerator or cart), re-install the door, remove the cardboard lifters and place the solid surface on top.
8. Once complete the units should look like Fig. 17.

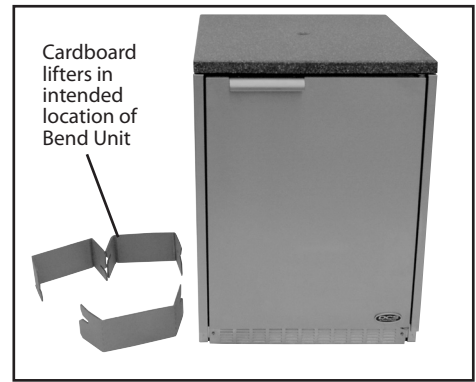


Fig. 13

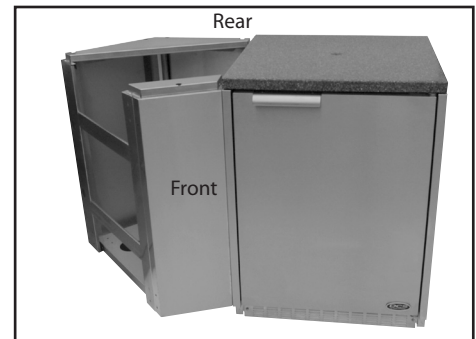


Fig. 14

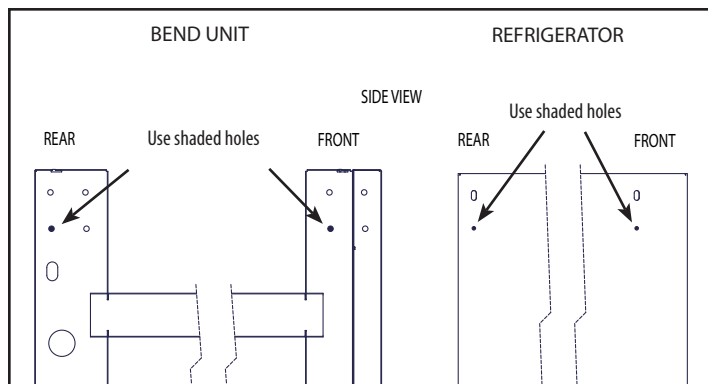


Fig. 16

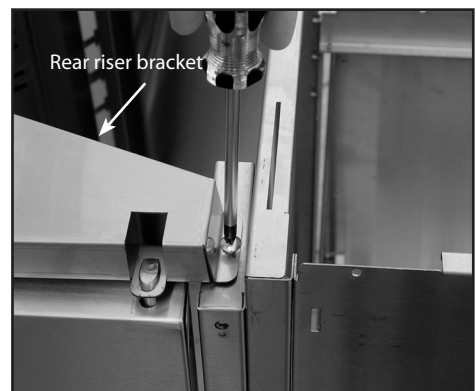


Fig. 15



Fig. 17

CAD-BND in Reverse Orientation:

The Bend Units can also be mounted in the reverse orientation so that the front face of the CAD carts or refrigerators face away from one another.

1. Position the CAD cart (or refrigerator) in the intended position.
2. Place the three cardboard lifters from the packaging on the ground next to the cart (or refrigerator) in the approximate position of the Bend Unit (Fig. 18).
3. Place the Bend Unit on top of the lifters, adjacent to the CAD cart. To ensure proper alignment, make sure the front of the cart is flush with the wall or door of the Bend Unit (Fig. 19).
4. Remove the door from the Bend Unit by removing the screw holding the rear riser bracket near the door hinge (Fig. 20). This must be done to provide access to the mounting holes.
5. Secure the two together using (2) hex bolts (1/4-20 x 1/2"), (4) washers (5/16 x 3/4), and (2) hex nuts (1/4-20) through the top/front set of holes in the Bend Unit and middle holes in the cart (Fig. 21). (If mounting to fridge, use the bottom/front set of holes in the Bend Unit and bottom holes in fridge [Fig. 22].)
6. Position second cart (or fridge) on the other side of the Bend Unit and secure to Bend Unit as in Step 5.
7. When Bend Unit is secured to the two supporting structures (refrigerator or cart), re-install the door, remove the cardboard lifters and place the solid surface on top.
8. Once complete the units should look like Fig. 23.

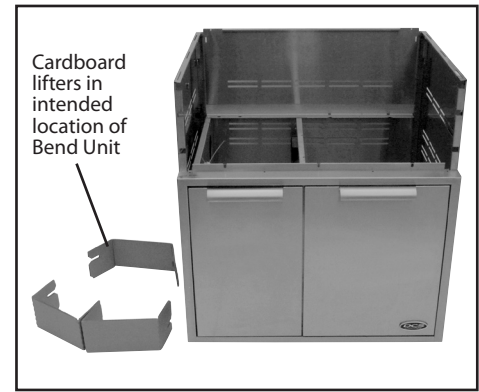


Fig. 18

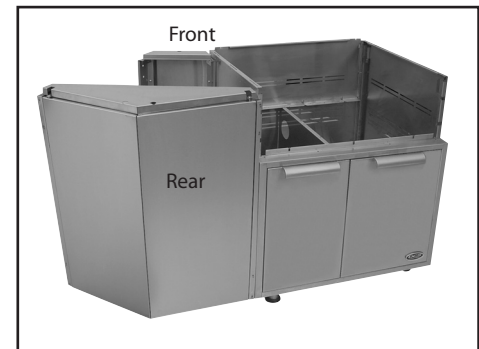


Fig. 19

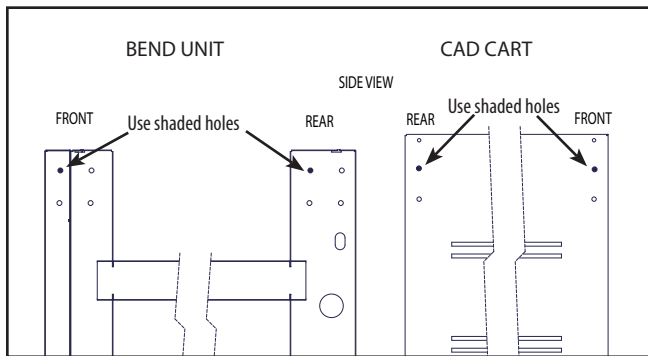


Fig. 21



Fig. 20

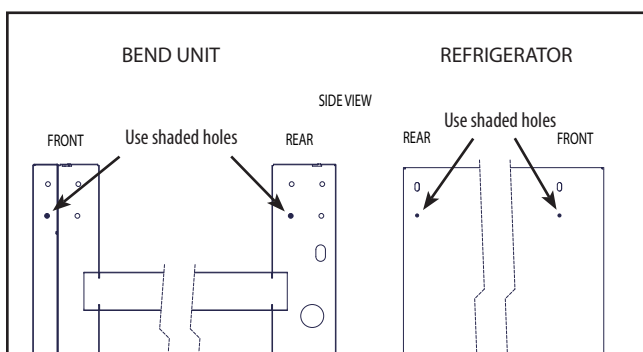


Fig. 22



Fig. 23

Accessories Required (sold separately)

■ Solid Surface for Bend Unit (CAD-BND-T)

For alternate type and color of the Solid Surface, contact your local manufacturer and provide drawing below (Fig. 24).

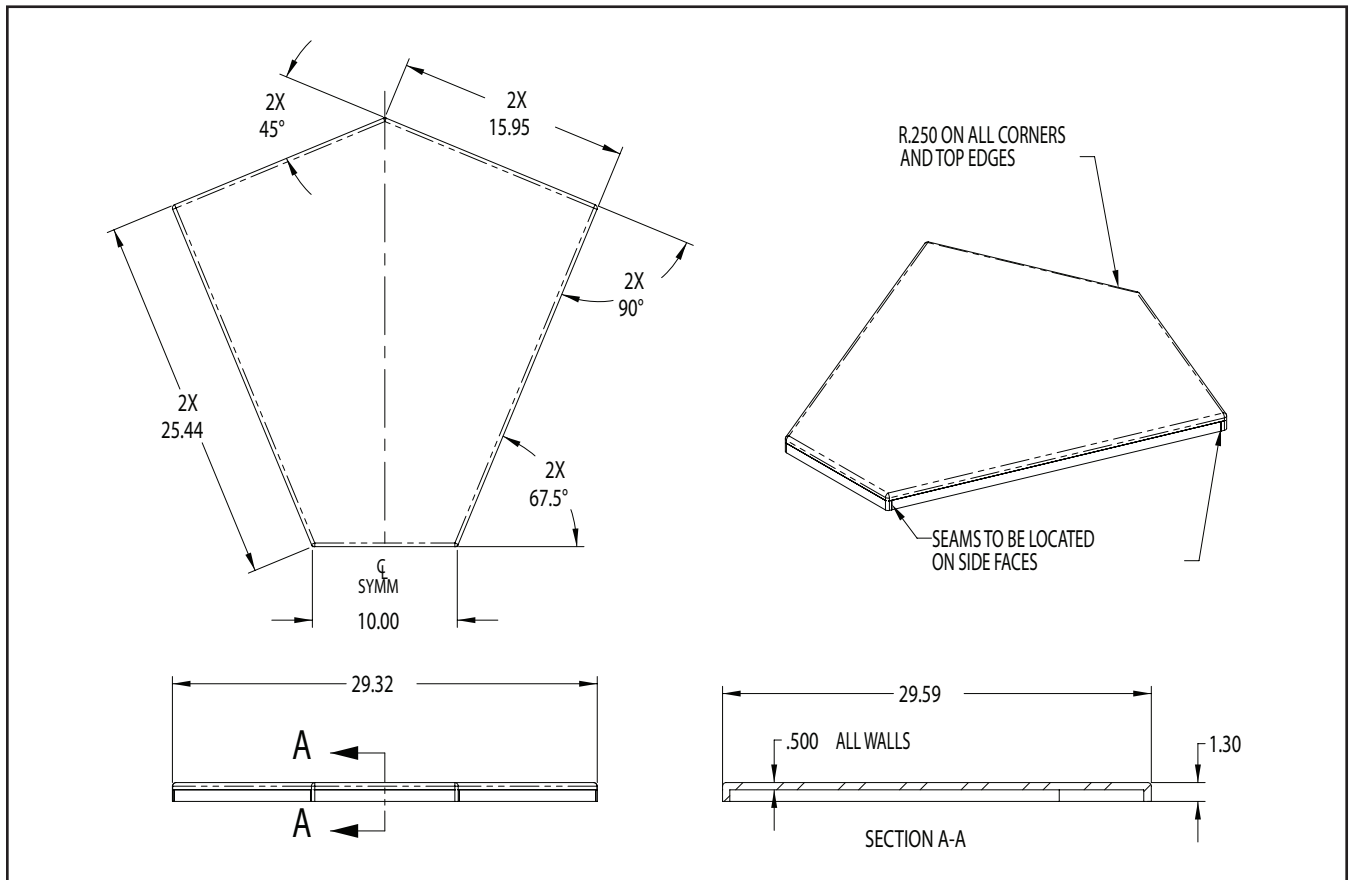


Fig. 24

Accessories Optional

■ BND-CNR Corner Bracket

Provides additional counter space with leg room underneath. Mounts to (2) CAD-BND Bend Units in standard orientation around a CAD-30 and (2) other outdoor products on outer ends (Fig. 25).

■ CAD-LVL

For use with the CAD carts, these legs replace the standard casters and allow for easy height adjustment.



Fig. 25



Quality provided by Fisher & Paykel Appliances Inc.

Fisher & Paykel Appliances, Inc.
5900 Skylab Road, Huntington Beach, CA 92647
Customer Care: 888.281.5698 • Fax: 714.372.7003
www.dcsappliances.com