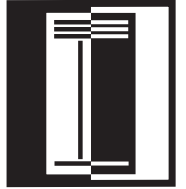


**BUILT-IN REFRIGERATION**



## INSTALLATION INSTRUCTIONS





## CONTENTS

<b>Installation Recommendations</b>	<b>3</b>
<b>Installation Specifications</b>	<b>4</b>
<b>Installation Instructions</b>	<b>12</b>
<b>Framed Panel Installation</b>	<b>18</b>
<b>Overlay Panel Installation</b>	<b>22</b>
<b>Flush Inset Panel Installation</b>	<b>26</b>
<b>Side Panel Installation</b>	<b>30</b>
<b>Completing the Installation</b>	<b>32</b>
<b>Service Information</b>	<b>35</b>

*Features and specifications indicated herein and on the website are subject to change at any time without notice. Check our website, [subzero.com](http://subzero.com), for the most up-to-date specifications.*

As you follow these instructions, you will notice **WARNING** and **CAUTION** symbols. This blocked information is important for the safe and efficient installation of Sub-Zero equipment. There are two types of potential hazards that may occur during installation.

### **⚠ CAUTION**

signals a situation where minor injury or product damage may occur if you do not follow instructions.

### **⚠ WARNING**

states a hazard that may cause serious injury or death if precautions are not followed.

Another footnote we would like to identify is **IMPORTANT NOTE**: This highlights information that is especially relevant to a problem-free installation.

**INSTALLATION** RECOMMENDATIONS

The importance of the installation of the Sub-Zero Built-In unit cannot be overemphasized. Installation should be done by a qualified installer.

Before you begin the installation process, it is recommended that you read this entire Installation Instructions book. There are key details that you should take special care to observe during the installation. By reading these instructions carefully, you will make the installation process easier, problem-free and, most importantly, safe.

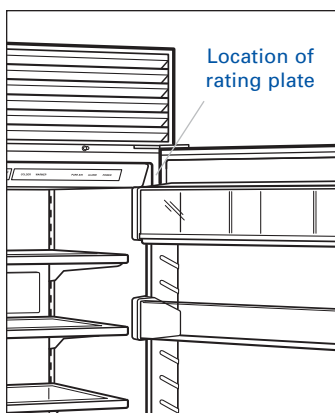
Any questions or problems about the installation should be directed to your Sub-Zero dealer or the Sub-Zero Customer Service Department at 800-222-7820 or e-mail [customerservice@subzero.com](mailto:customerservice@subzero.com). You can also visit our website at [subzero.com](http://subzero.com).

Important product information, including the model and serial number of your unit are listed on the product rating plate. The rating plate is located at the top frame of the unit inside the door. Refer to the illustration below.

## CONTACT INFORMATION

**Sub-Zero  
Customer Service:**  
800-222-7820

**Website:**  
[subzero.com](http://subzero.com)

**Rating plate location**

Dimensions in parentheses are in millimeters unless otherwise specified.



## BUILT-IN INSTALLATION SPECIFICATIONS

### INSTALLATION SPECIFICATIONS

#### TOOLS AND MATERIALS REQUIRED

The following is a list of tools and materials that should be available for proper installation.

- Phillips screwdriver set
- Slotted screwdriver set
- Torx drive screwdriver set
- 4' (1.2 m) of 1/4" copper tubing and saddle valve for the water line—part #4200880 (do not use self-piercing valves)
- Copper tubing cutter
- Level—2' (.6 m) and 4' (1.2 m) recommended
- Appliance Dolly able to support 700 lbs (317 kg) and adequate manpower to handle the weight of the unit
- Various sized pliers
- Wrench set
- Allen wrench set
- 5/16" hex bolt nut driver
- Crescent wrenches
- Cordless drill and assorted drill bits
- Masonite, plywood, 1/8" pressed fiberboard, cardboard or other suitable material to protect finished flooring
- Appropriate materials to cover and protect the home and its furnishings during installation



## INSTALLATION SPECIFICATIONS

Make sure that the actual equipment that was shipped to you matches the design you are expecting to install. The Sub-Zero Built-In line offers the following design alternatives—framed, overlay/flush inset and stainless steel models. The overlay/flush inset model has two design applications—overlay and flush inset.

Each of these design options has specific installation requirements, which means it is vital that the unit match your planning and space needs. Before you begin the installation process, check the exact model number you need against the model number on the shipping carton.

If the unit you receive does not match your requirements, contact your Sub-Zero dealer.

## SITE PREPARATION

Make sure that the finished rough opening where the Built-In unit is to be installed is properly prepared. Refer to the Overall Dimensions and Installation Specifications for your specific model on the following pages. These specifications are identical for the framed, overlay/flush inset and stainless steel applications. The installation specifications are different for the flush inset application, whether you are using custom panels or Sub-Zero accessory stainless flush inset panels. Make sure that the rough opening dimensions, door swing clearance, electrical service and plumbing are correct for the model you are about to install.

If you are installing two Built-In units side by side in the framed, overlay/flush inset or stainless steel application, a separating filler strip is recommended. Add the filler strip width to the finished rough opening dimension. Complete the installation with the Anchoring Kit (part #7004656). Refer to page 33.

For installation of two Built-In units side by side in the flush inset application, a dual installation kit will be necessary. Refer to page 32.

**IMPORTANT NOTE:** Built-in units installed side by side in the flush inset application cannot use Sub-Zero accessory stainless flush inset panels, and must have opposing hinges.

**IMPORTANT NOTE:** To operate properly, the door must open a minimum of 90 degrees. Use a minimum 3" (76) filler in corner installations to assure a 90-degree door opening. Allow enough clearance in front of the unit for full door swing.

**IMPORTANT NOTE:** Make sure the floor under the unit is level with the surrounding finished floor.

## ACCESSORIES

Optional accessories are available through your Sub-Zero dealer. To obtain local dealer information, visit the Showroom Locator section of our website, [subzero.com](http://subzero.com).



## BUILT-IN INSTALLATION SPECIFICATIONS

### OVERALL DIMENSIONS

All Refrigerator / All Freezer Models

#### Model BI-36R

W	H	D
36" (914)	84" (2138)	24" (610)

#### Model BI-36RG

W	H	D
36" (914)	84" (2138)	24" (610)

#### Model BI-36F

W	H	D
36" (914)	84" (2138)	24" (610)

ALL REFRIGERATOR  
ALL FREEZER

#### Model BI-36R

All Refrigerator

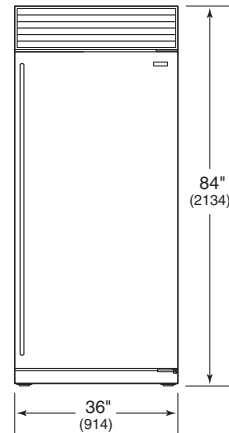
#### Model BI-36RG

All Refrigerator  
with Glass Door

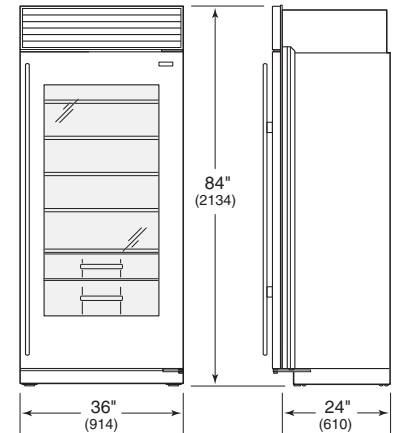
#### Model BI-36F

All Freezer

Unit dimensions may vary by  $\pm 1/8"$  (3).



Model BI-36R



Model BI-36RG

### DOOR CLEARANCE

All Refrigerator / All Freezer Models

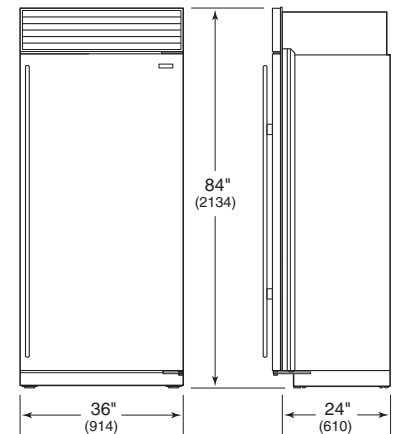
#### A

Model BI-36R	37 1/4" (946)
	37 3/4" (959) Flush Inset

Model BI-36RG	37 1/4" (946)
	37 3/4" (959) Flush Inset

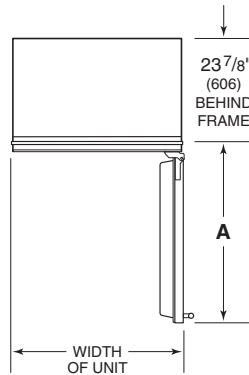
Model BI-36F	37 1/4" (946)
	37 3/4" (959) Flush Inset

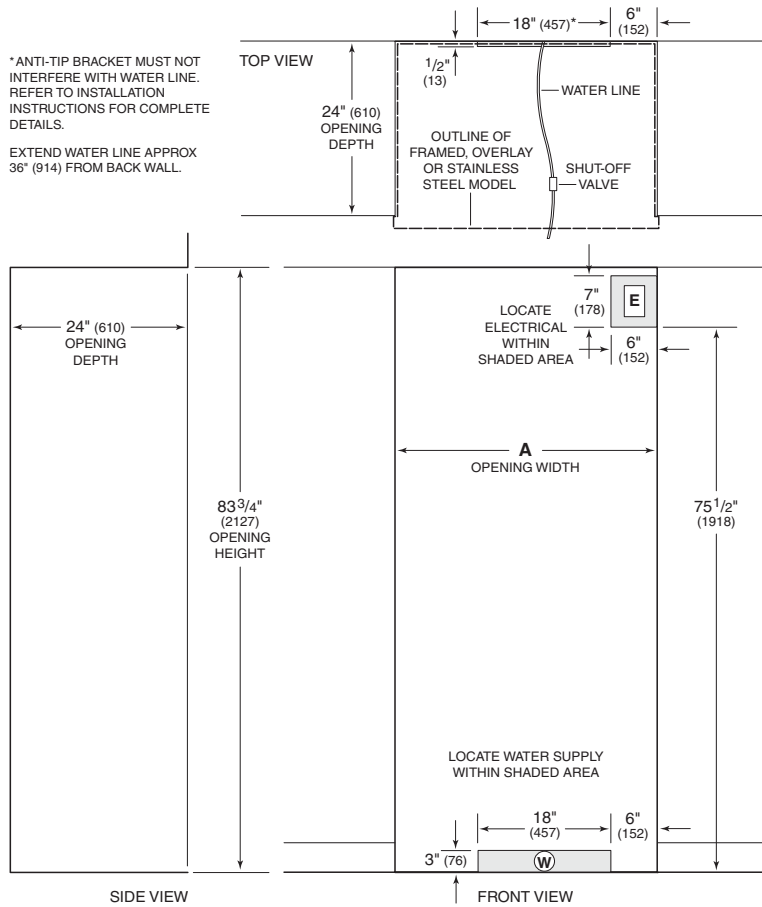
Door clearance is based on stainless steel door and handle dimensions.



Model BI-36F

Stainless steel design shown.



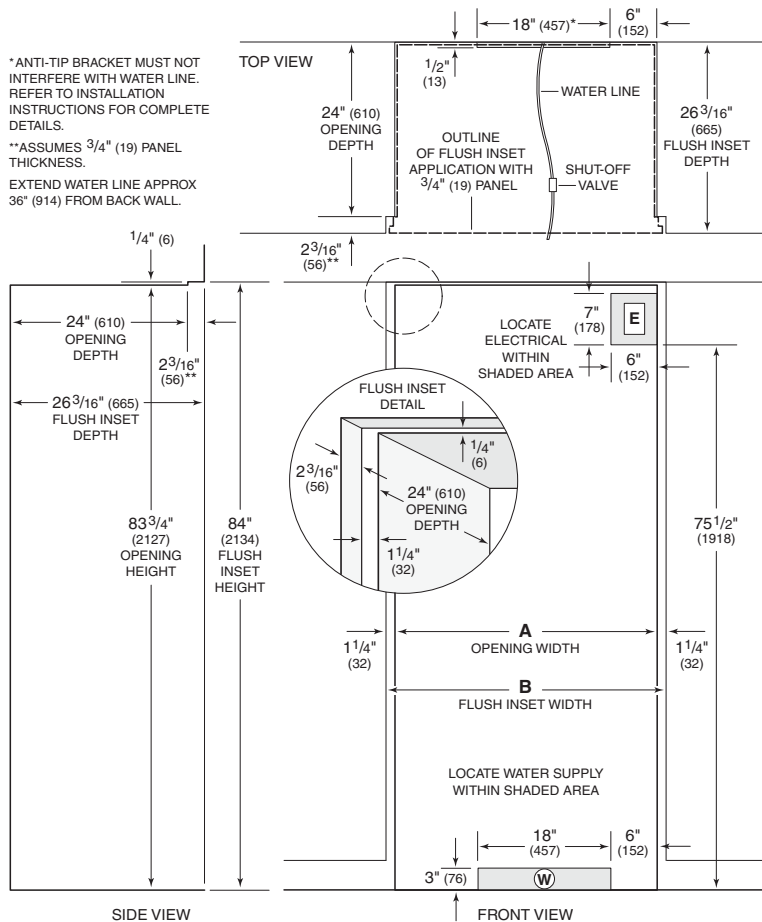


**INSTALLATION SPECIFICATIONS**

All Refrigerator / All Freezer Models—  
Framed, Overlay (non-flush inset) and  
Stainless Steel

	<b>A</b>
<b>Model BI-36R</b>	<b>35 1/2" (902)</b>
<b>Model BI-36RG</b>	<b>35 1/2" (902)</b>
<b>Model BI-36F</b>	<b>35 1/2" (902)</b>

Dimensions are for finished rough openings.  
Models BI-36R and BI-36RG will not require the  
water line connection.



**INSTALLATION SPECIFICATIONS**

All Refrigerator / All Freezer Models—  
Flush Inset Application

	<b>A</b>	<b>B</b>
<b>Model BI-36R</b>	<b>35 1/2" (902)</b>	<b>38" (965)</b>
<b>Model BI-36RG</b>	<b>35 1/2" (902)</b>	<b>38" (965)</b>
<b>Model BI-36F</b>	<b>35 1/2" (902)</b>	<b>38" (965)</b>

Dimensions are for finished rough openings.  
Models BI-36R and BI-36RG will not require the  
water line connection.

Dimensions in parentheses are in millimeters unless otherwise specified.



## BUILT-IN INSTALLATION SPECIFICATIONS

### OVERALL DIMENSIONS

Over-and-Under Models

#### Model BI-30U

W	H	D
30" (762)	84" (2138)	24" (610)

#### Model BI-30UG

W	H	D
30" (762)	84" (2138)	24" (610)

#### Model BI-36U

W	H	D
36" (914)	84" (2138)	24" (610)

#### Model BI-36UG

W	H	D
36" (914)	84" (2138)	24" (610)

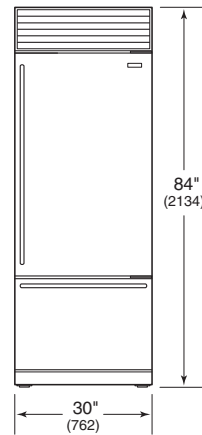
OVER-AND-UNDER

Model BI-30U

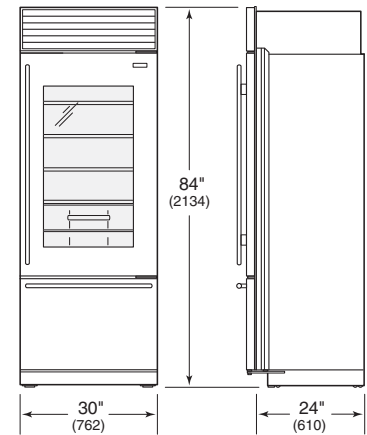
Model BI-30UG  
with Glass Door

Model BI-36U

Model BI-36UG  
with Glass Door



Model BI-30U



Model BI-30UG

Unit dimensions may vary by  $\pm 1/8"$  (3).

### DOOR CLEARANCE

Over-and-Under Models

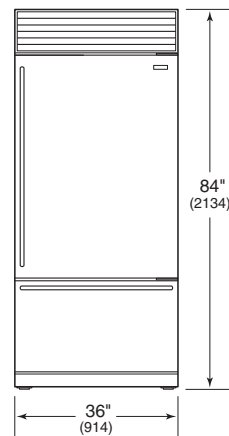
**A**

Model BI-30U	31 1/4" (794)
	31 3/4" (806) Flush Inset

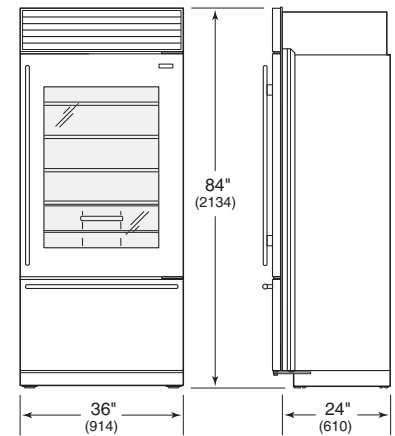
Model BI-30UG	31 1/4" (794)
	31 3/4" (806) Flush Inset

Model BI-36U	37 1/4" (946)
	37 3/4" (959) Flush Inset

Model BI-36UG	37 1/4" (946)
	37 3/4" (959) Flush Inset



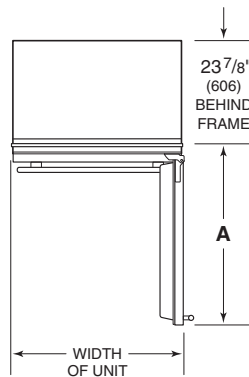
Model BI-36U



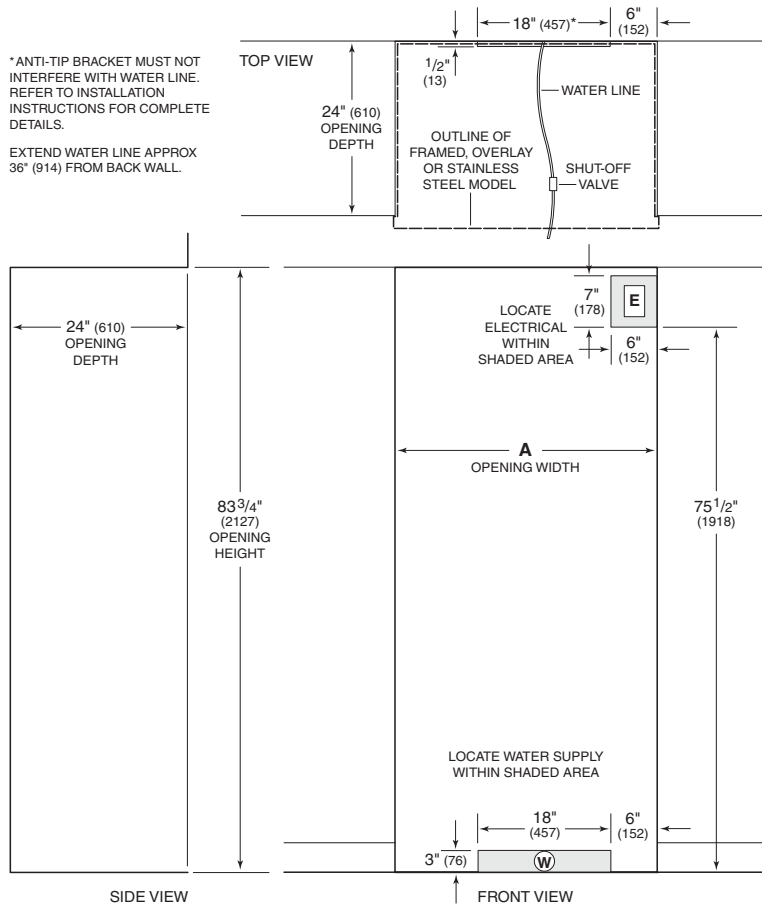
Model BI-36UG

Door clearance is based on stainless steel door and handle dimensions.

Stainless steel design shown.





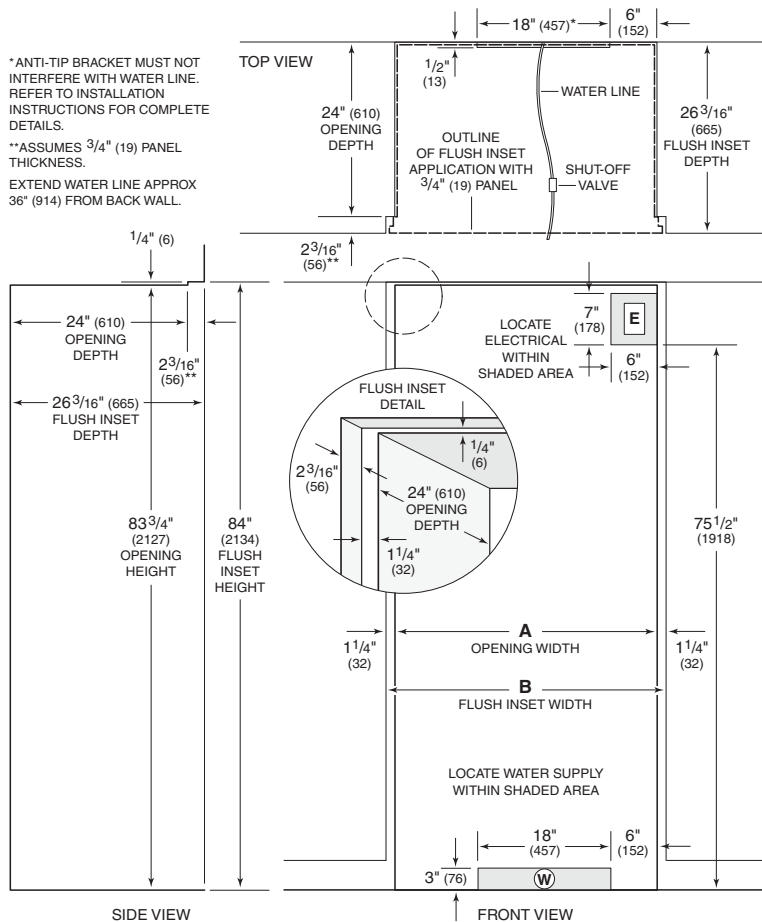


**INSTALLATION SPECIFICATIONS**

*Over-and-Under Models—  
Framed, Overlay (non-flush inset) and  
Stainless Steel*

	<b>A</b>
<b>Model BI-30U</b>	29 1/2" (749)
<b>Model BI-30UG</b>	29 1/2" (749)
<b>Model BI-36U</b>	35 1/2" (902)
<b>Model BI-36UG</b>	35 1/2" (902)

*Dimensions are for finished rough openings.*



**INSTALLATION SPECIFICATIONS**

*Over-and-Under Models—  
Flush Inset Application*

	<b>A</b>	<b>B</b>
<b>Model BI-30U</b>	29 1/2" (749)	32" (813)
<b>Model BI-30UG</b>	29 1/2" (749)	32" (813)
<b>Model BI-36U</b>	35 1/2" (902)	38" (965)
<b>Model BI-36UG</b>	35 1/2" (902)	38" (965)

*Dimensions are for finished rough openings.*

**Dimensions in parentheses are in millimeters unless otherwise specified.**



## BUILT-IN INSTALLATION SPECIFICATIONS

### OVERALL DIMENSIONS

Side-by-Side Models

#### Model BI-36S

W	H	D
36" (914)	84" (2138)	24" (610)

#### Model BI-42S

W	H	D
42" (1067)	84" (2138)	24" (610)

#### Model BI-42SD

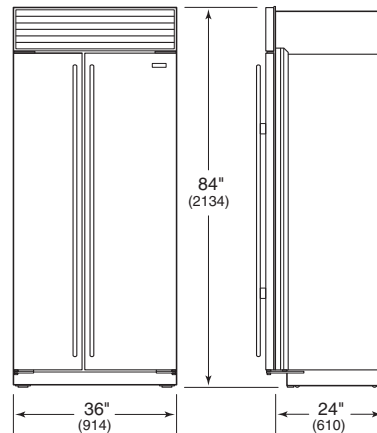
W	H	D
42" (1067)	84" (2138)	24" (610)

#### Model BI-48S

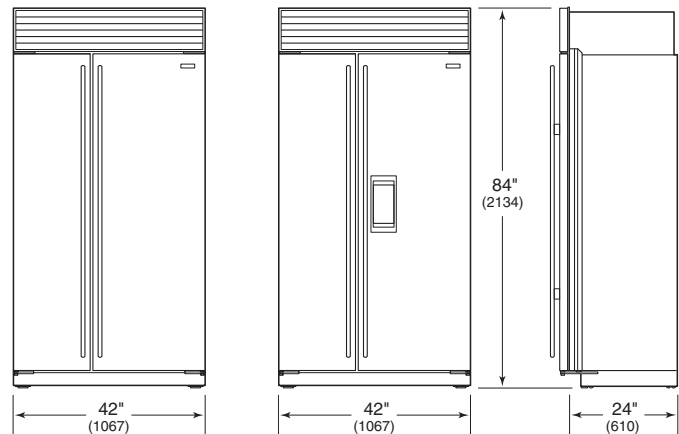
W	H	D
48" (1219)	84" (2138)	24" (610)

#### Model BI-48SD

W	H	D
48" (1219)	84" (2138)	24" (610)

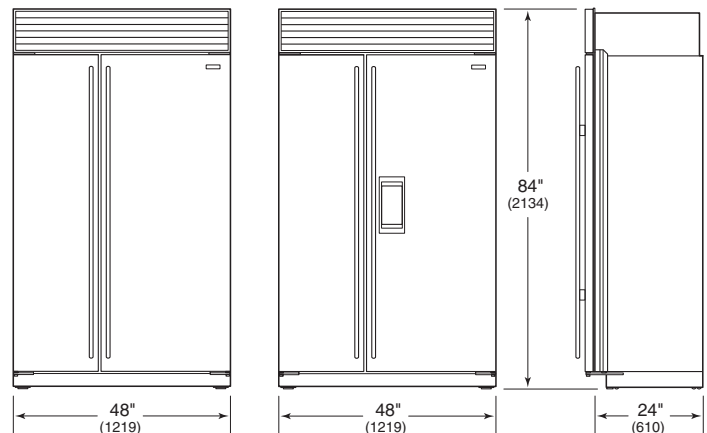


Model BI-36S



Model BI-42S

Model BI-42SD



Model BI-48S

Model BI-48SD

### SIDE-BY-SIDE

#### Model BI-36S

#### Model BI-42S

#### Model BI-42SD Ice / Water Dispensing

#### Model BI-48S

#### Model BI-48SD Ice / Water Dispensing

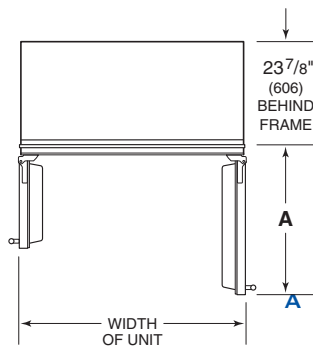
Unit dimensions may vary by  $\pm 1/8"$  (3).

### DOOR CLEARANCE

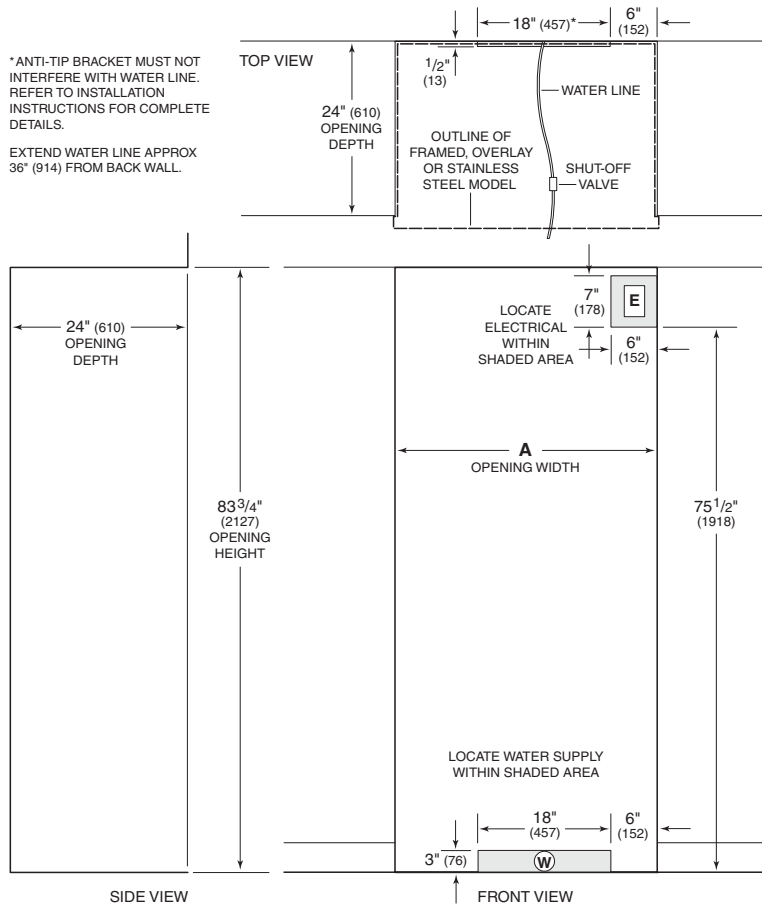
Side-by-Side Models

	A
Model BI-36S	20 <sup>3</sup> / <sub>4</sub> " (527)
Model BI-42S	25 <sup>9</sup> / <sub>16</sub> " (649)
Model BI-42SD	25 <sup>9</sup> / <sub>16</sub> " (649)
Model BI-48S	29 <sup>1</sup> / <sub>4</sub> " (743)
Model BI-48SD	29 <sup>1</sup> / <sub>4</sub> " (743)

Door clearance is based on stainless steel door and handle dimensions.



Stainless steel design shown.

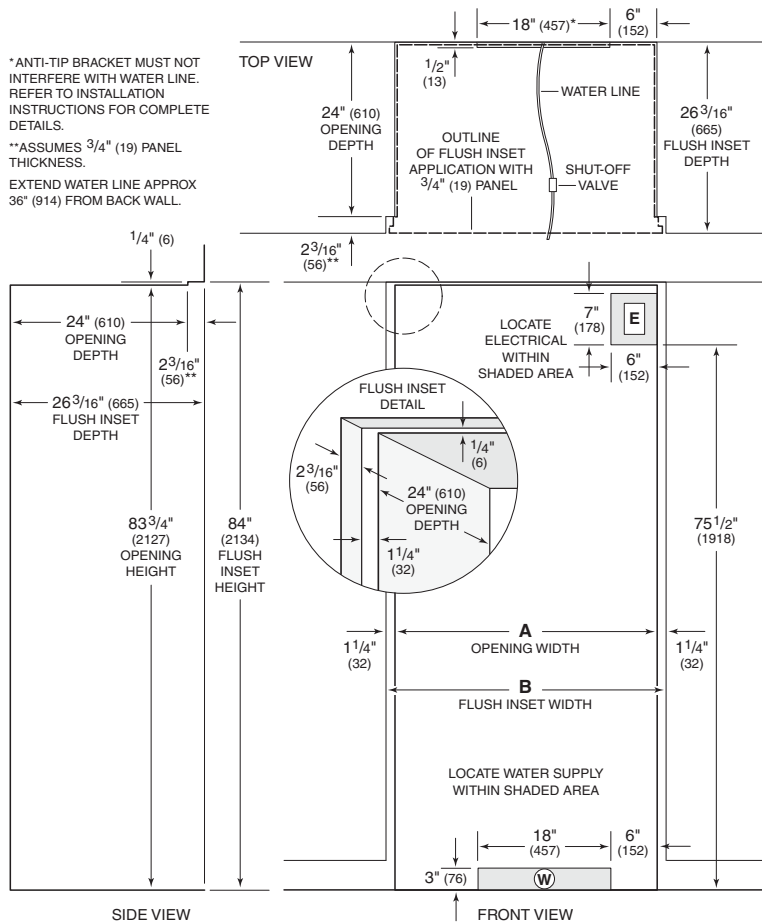


**INSTALLATION SPECIFICATIONS**

Side-by-Side Models—  
Framed, Overlay (non-flush inset) and  
Stainless Steel

	<b>A</b>
<b>Model BI-36S</b>	<b>35 1/2" (902)</b>
<b>Model BI-42S</b>	<b>41 1/2" (1054)</b>
<b>Model BI-42SD</b>	<b>41 1/2" (1054)</b>
<b>Model BI-48S</b>	<b>47 1/2" (1207)</b>
<b>Model BI-48S</b>	<b>47 1/2" (1207)</b>

Dimensions are for finished rough openings.



**INSTALLATION SPECIFICATIONS**

Side-by-Side Models—  
Flush Inset Application

	<b>A</b>	<b>B</b>
<b>Model BI-36S</b>	<b>35 1/2" (902)</b>	<b>38" (965)</b>
<b>Model BI-42S</b>	<b>41 1/2" (1054)</b>	<b>44" (1118)</b>
<b>Model BI-42SD</b>	<b>41 1/2" (1054)</b>	<b>44" (1118)</b>
<b>Model BI-48S</b>	<b>47 1/2" (1207)</b>	<b>50" (1270)</b>
<b>Model BI-48SD</b>	<b>47 1/2" (1207)</b>	<b>50" (1270)</b>

Dimensions are for finished rough openings.

Dimensions in parentheses are in millimeters unless otherwise specified.



**ELECTRICAL** REQUIREMENTS

A 115 V AC, 60 Hz, 15 amp circuit breaker and electrical supply are required. A separate circuit, servicing only this appliance, is required.

All Sub-Zero Built-In models are equipped with a power supply cord with a 3-prong grounding plug, which must be plugged into a mating 3-prong grounding-type wall receptacle. Follow the National Electrical Code and local codes and ordinances when installing the receptacle. For location of the electrical supply, refer to the Installation Specifications illustration for your specific model on pages 7–11.

**IMPORTANT NOTE:** A ground fault circuit interrupter (GFCI) is not recommended and may cause interruption of operation.

**⚠ WARNING**

**Do not use an extension cord or two-prong adapter. Electrical ground is required on this appliance. Do not remove the power supply cord ground prong.**

**⚠ CAUTION**

**The outlet must be checked by a qualified electrician to be sure that it is wired with the correct polarity. Verify that the outlet provides 115 V AC and is properly grounded.**

**PLUMBING** REQUIREMENTS

All Sub-Zero Built-In models with an automatic ice maker come equipped with a factory-installed, microbiological water filtration system. This system operates on water pressure between 30 psi (2.1 bar) to 100 psi (6.9 bar).

**IMPORTANT NOTE:** A reverse osmosis system can be used, provided there is constant water pressure of 30 psi (2.1 bar) to 100 psi (6.9 bar) supplied to the unit at all times. In this application, it is recommended that the water filter be bypassed. Refer to Water Filter Bypass Mode on the following page.

Rough in the cold water supply line using 1/4" OD copper line. The water line should be routed up through the floor within 1/2" (13) from the back wall and no higher than 3" (76) off the floor. If you have to come through the wall, make sure the water line is no more than 3" (76) from the floor.

Regardless of the routing, allow 3' (.9 m) of excess copper tubing to remain outside the wall or floor for easy connection to the unit. Locate the water supply line within the shaded area indicated in the Installation Specifications illustration for your specific model on pages 7–11.

Use an easily accessible shut-off valve between the water supply and the unit. Do not use self-piercing valves. A saddle valve kit (part #4200880) is available from your Sub-Zero dealer.

It is not recommended that the ice maker be connected to a softened water supply. Water softener chemicals, such as salt from a malfunctioning softener, can damage the ice maker and lead to poor ice quality. If a softened water supply cannot be avoided, be sure that the water softener is well maintained and operating properly.

**IMPORTANT NOTE:** All installations must meet local plumbing code requirements.

Dimensions in parentheses are in millimeters unless otherwise specified.

ACCESSORIES

Optional accessories are available through your Sub-Zero dealer. To obtain local dealer information, visit the Showroom Locator section of our website, [subzero.com](http://subzero.com).



**PLUMBING** REQUIREMENTS

**INITIAL WATER FILTER USE**

When using the water filter for the first time, it is necessary to clear any air from the water system and allow the filter to assist in cleaning the water lines. For non-dispenser models, this is done by discarding the first two full buckets of ice. For dispenser models, dispense multiple glasses of water for a period of two minutes.

**WATER FILTER BYPASS MODE**

A separate bypass plug is required to bypass the water filtration system. This bypass plug (part #7005018) is available from your Sub-Zero dealer.

**INSTALL BYPASS PLUG**

- 1) Remove water filter cartridge by pushing the end to disengage from the filter head. Refer to the illustration below. Pull the filter cartridge straight out.
- 2) Install bypass plug by aligning it with the filter head. Push plug in to engage with the head assembly.

NOTE: When the filter or the bypass plug is removed from the unit, the water supply to both the ice maker and the ice and water dispenser will be shut off.

**UNPACK** THE UNIT

Uncrate the unit and inspect for any damages. Remove the wood base and discard the shipping bolts and brackets that hold the wood base to the bottom of the unit. Remove and discard all packing materials.

**IMPORTANT NOTE:** Do not discard the kick-plate, anti-tip bracket and hardware. These items will be needed for installation.

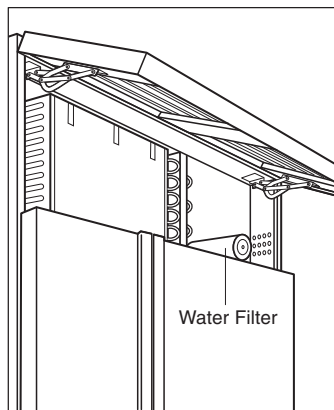
Retract the front leveling legs all the way up to allow the unit to be moved into position more easily. You will extend the leveling legs when the unit is in its final position to reduce the possibility of the unit tipping forward.

**IMPORTANT NOTE:** The rear levelers must be in their lowest position in order to push the unit back into the rough opening. Therefore, leveling cannot be completed until the unit is in position.

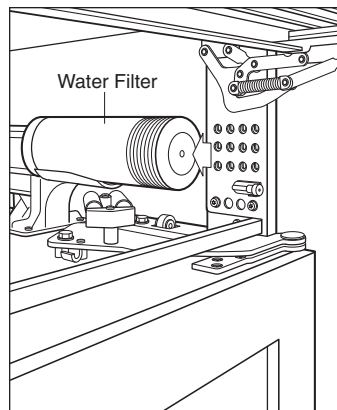
Remove the drain pan from the base of the unit to avoid damage to the drain pan, and allow for proper placement of the appliance dolly.

**⚠ WARNING**

**Be sure to secure the door(s) closed before moving the unit.**



**Location of water filter**



**Water filter cartridge removal**



**GRILLE REMOVAL**

In order to prevent damage to the grille and to access the power cord, the top grille assembly should be removed prior to moving the unit.

To remove the grille assembly, pull out on the bottom edge of the grille and tilt it upward. Loosen the back two grille mounting screws and remove the front two grille mounting screws. With the grille held firmly, pull forward to remove. Refer to the illustrations below.

To reinstall the grille, insert the grille into position and be sure that the grille catch tabs are engaged. Reinstall the front two grille screws, then retighten the back two grille screws. Check for proper fit.

**ANTI-TIP BRACKET INSTALLATION**

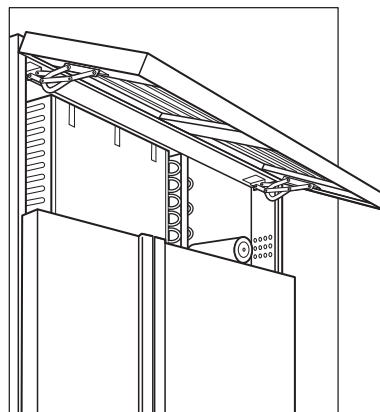
**⚠ WARNING**

**To prevent the unit from tipping forward and provide a stable installation, the unit must be secured in place with the anti-tip brackets shipped with the unit.**

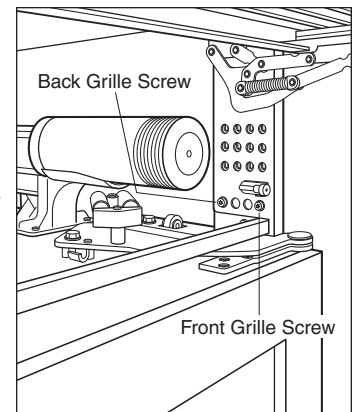
**IMPORTANT NOTE:** Placement of the anti-tip brackets is critical to a stable installation. Failure to properly position the anti-tip brackets will prevent them from engaging the unit.

The two anti-tip brackets must be installed exactly 24" (610) from the front of the rough opening to the back of the brackets and a minimum of 4" (102) from the sides of the rough opening. This depth will increase to 26<sup>3</sup>/<sub>16</sub>" (665) for a flush inset installation based on 3/4" (19) deep decorative panels. Proper placement will ensure that the anti-tip brackets engage the anti-tip bar at the back of the unit.

**IMPORTANT NOTE:** Both anti-tip brackets **MUST** be used.



**Grille removal**



**Grille mounting screws**



**ANTI-TIP BRACKET** INSTALLATION

**WOOD FLOOR APPLICATIONS**

After properly locating the anti-tip brackets in the rough opening, drill pilot holes  $\frac{3}{16}$ " (5) diameter maximum in the wall studs and/or wall plate. Use the #12 x 2 $\frac{1}{2}$ " PH pan HD zinc screws and #12 flat washers to secure the brackets in place. Be sure that the screws penetrate through the flooring material and into wall studs or wall plate a minimum of  $\frac{3}{4}$ " (19). Refer to the illustration below.

**CONCRETE FLOOR APPLICATIONS**

After properly locating the anti-tip brackets in the rough opening, drill pilot holes  $\frac{3}{16}$ " (5) diameter maximum in the wall studs and/or wall plate. Then drill  $\frac{3}{8}$ " (10) diameter holes into the concrete a minimum of  $\frac{1}{2}$ " (13) deep. Use the #12 x 2 $\frac{1}{2}$ " PH pan HD zinc screws and #12 flat washers to secure the brackets to the wall and use the  $\frac{3}{8}$ "-16 x 3 $\frac{3}{4}$ " wedge anchors to secure the brackets to the floor. Be sure that the screws penetrate the wall studs or wall plate a minimum of  $\frac{3}{4}$ " (19). Refer to the illustration below.

**IMPORTANT NOTE:** For either wood or concrete floor applications, if the #12 x 2 $\frac{1}{2}$ " screws do not hit a wall stud or the wall plate in any of the back holes of the brackets, use the provided #8-18 x 1 $\frac{1}{4}$ " PH truss HD screws and #12 flat washers with the nylon zip-it wall anchors.

**IMPORTANT NOTE:** In some installations the subflooring or finished floor may necessitate angling the screws used to fasten the anti-tip brackets to the back wall.

**⚠ WARNING**

**Make sure that there are no electrical wires or plumbing in the area which the screws could penetrate.**

**ANTI-TIP HARDWARE INCLUDED**

- 2 Anti-Tip Brackets

---

- 12 #12 x 2 $\frac{1}{2}$ " PH Pan HD Zinc Screws

---

- 4  $\frac{3}{8}$ "-16 x 3 $\frac{3}{4}$ " Wedge Anchors

---

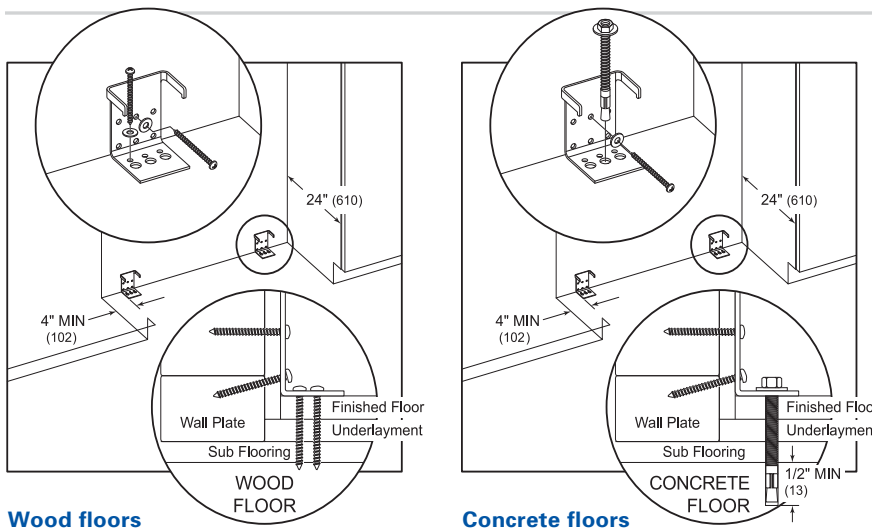
- 12 #12 Flat Washers

---

- 4 #8-18 x 1 $\frac{1}{4}$ " PH Truss HD Screws

---

- 4 Nylon Zip-It Wall Anchors



**Wood floors**

**Concrete floors**

Dimensions in parentheses are in millimeters unless otherwise specified.



### ANTI-TIP BRACKET INSTALLATION

#### INSTALL CONCRETE WEDGE ANCHORS

- 1) Drill a 3/8" (10) diameter hole any depth exceeding the minimum embedment. Clean the hole or continue drilling additional depth to accommodate drill fines. Use a carbide drill bit manufactured within ANSI B94.12-77.
- 2) Assemble the washer and nut flush with the end of anchor to protect threads. Drive the anchor through the material to be fastened until the washer is flush with the surface material.
- 3) Expand the anchor by tightening the nut 3–5 turns past hand-tight position or to 25 foot-pounds of torque.

#### ⚠ CAUTION

**Always wear safety glasses and use other necessary protective devices or apparel when installing or working with anchors.**

**Anchors are not recommended for use in lightweight masonry material such as block or brick, or for use in new concrete which has not had sufficient time to cure. The use of core drills is not recommended to drill holes for the anchors.**

### POSITION THE UNIT

#### ⚠ CAUTION

**Protect any finished flooring before moving the unit into place. All Built-In models are equipped with rollers, so you can easily move the unit into place.**

Use an appliance dolly to move the unit near the rough opening. Carefully move it off of the appliance dolly. Each Built-In unit is equipped with rollers, so it can be moved into position more easily.

Shut off power to the electrical outlet. Plug the power supply cord into the 15 amp grounded outlet and roll the unit into position. Be sure that the anti-tip bracket is properly engaged.

**IMPORTANT NOTE:** If possible, keep the door(s) closed until the unit is properly anchored.

**IMPORTANT NOTE:** If for any reason the unit has been laid on its back or side, you must allow the unit to stand upright for a minimum of 24 hours before connecting power.

#### ⚠ WARNING

**To reduce the possibility of the unit tipping forward, the front leveling legs must be in contact with the floor.**





**WATER LINE CONNECTION**

Approximately 3' (.9 m) of 1/4" plastic tubing is connected to the unit with a preassembled 1/4" compression connection at the end. This tubing is located under the unit.

The water line fitting connection kit, provided with the unit, contains a 1/4" compression union fitting for connection to the household water line. Place the compression nut and sleeve on the water line and fasten to the connection at the end of the tubing under the unit. Do not over tighten. Check all water line fittings for leaks. Make sure that the drain pan can be installed or removed without any water line interference.

**IMPORTANT NOTE:** Be sure to purge the water line prior to final connection to the unit. This will remove any debris that may be present in the tubing from installing the new water line.

**IMPORTANT NOTE:** If a reverse osmosis system used, it is recommended that the water filter be bypassed. Refer to Water Filter Bypass Mode on page 13.

**IMPORTANT NOTE:** Let your customer know that the ice maker will not produce ice immediately, and that the first few batches of ice produced should be discarded. Allow 24 hours for proper ice production.

**IMPORTANT NOTE:** Caution must be taken not to expose the refrigerator, and/or water lines leading to the refrigerator, to freezing temperatures. Failure to do so could cause damage to the product and home.

**LEVEL THE UNIT**

Once the unit is in position, extend the front leveling legs down by turning the legs clockwise and adjust the height. The rear height adjustment can be made from the front of the base. Use a 5/16" socket to adjust the rear rollers. Turn the 5/16" hex bolt clockwise to raise the unit or counterclockwise to lower it.

When the unit is leveled properly, or squared off, door and/or drawer adjustments are less likely to be necessary. Refer to the illustration below for location of the rear roller base adjustment.

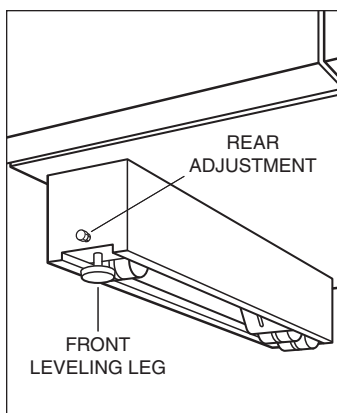
**IMPORTANT NOTE:** Be sure to reference leveling of the unit to the floor and not to surrounding cabinetry. This could affect the operation of the unit, such as door closing.

**INSTALL THE KICKPLATE**

To install, screw the kickplate to brackets attached to the inside surface of each roller base

**IMPORTANT NOTE:** The kickplate must be removed for servicing. The floor cannot interfere with removal. Refer to the label mounted on the kickplate support for height clearance.

Reinstall the grille following the instructions on page 14. Turn power back on to the electrical outlet.



**Rear roller base adjustment**

Dimensions in parentheses are in millimeters unless otherwise specified.



## FRAMED PANEL INSTALLATION

### PANEL INSTALLATION

Before you begin installing panels, refer to the Panel Specifications for framed, overlay or flush inset applications and be sure you are working with the panel design called for in your installation. If your customer has chosen the stainless steel design, the unit has been shipped complete with a finished stainless steel look. It will not be necessary to install panels or handle hardware. In your final preparation for stainless steel units, use a stainless steel cleaner to remove any marks. Abrasive cleaners should **not** be used, as they may scratch the surface.

If your customer has ordered either a framed or overlay/flush inset model, you will be installing panels to give the unit the custom Sub-Zero look.

**IMPORTANT NOTE:** For overlay/flush models, there are two design applications—overlay and flush inset. Be sure to use the correct panel sizes for your application.

### FRAMED PANELS

Refer to the Framed Panel Specifications on pages 20–21 for panel dimensions.

### FRAMED PANELS

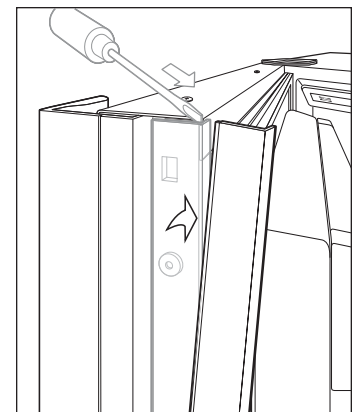
If your customer has chosen a framed design application, make sure that the panels you are about to install match dimensions listed in the Framed Panel Specifications on pages 20–21.

If the thickness of the custom panel is less than a  $\frac{1}{4}$ " (6), back it up with a sheet of shim material to build the total thickness to a  $\frac{1}{4}$ " (6). If the panel is thicker than a  $\frac{1}{4}$ " (6), rout an edge around the panel to achieve a proper fit.

**IMPORTANT NOTE:** The weight of each panel cannot exceed 50 lbs (23 kg), 75 lbs (34 kg) for Models BI-36R, BI-36RG and BI-36F.

**IMPORTANT NOTE:** On all Built-In models, routing, recessing or optional extended handles may be required on raised panels for finger clearance under the handle.

To install framed panels, the door handle(s) must be removed. To install framed panels, first remove the door trim molding. For side-by-side models and the upper door for over-and-under models, insert a screwdriver tip into the top corner slot on the handle side and pop out the trim molding. Remove the screws and handle. Refer to the illustration below.



Door trim



For the drawer on over-and-under models, insert a screwdriver tip into the slot on either side of the trim molding running along the top of the drawer, and pop out the trim molding. Remove the screws and handle. Refer to the illustration below.

With a Phillips screwdriver, remove the handles from the freezer and refrigerator doors. Slide the panel into the frame on the door. With the panel in position, replace the handles. Be sure the panel is inserted completely into the channel for proper fit and alignment. Refer to the illustration below.

To reinstall the trim molding, insert the top of the trim molding into the grooves at the top of the door and work downward, snapping the trim molding into the clips on the handle.

For the drawer on over-and-under models, start at one end and move towards the opposite end, snapping the trim molding into the clips on the handle.

## RAISED PANELS

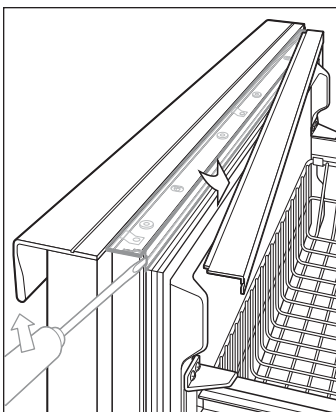
You may have to rout, recess or use optional extended handles with some door panel designs to allow for finger clearance. This is particularly true if your unit has raised panels greater than 1/4" (6) total thickness.

**IMPORTANT NOTE:** The weight of each panel cannot exceed 50 lbs (23 kg), 75 lbs (34 kg) for Models BI-36R, BI-36RG and BI-36F.

Check the location of offset when you're using specific routing for the grip area only. Refer to the Sub-Zero Built-In Refrigeration Design Guide for a full-scale template of the standard full-length handle and panel. Use this grid template to lay out your panel design for finger clearance when standard full-length handles are used.

## PANEL DESIGN

Additional panel design information can be found in the [Sub-Zero Built-In Design Guide](#). Check our website at [subzero.com](http://subzero.com).



Over-and-under drawer trim

Dimensions in parentheses are in millimeters unless otherwise specified.

## FRAMED PANEL SPECIFICATIONS

### FRAMED DOOR PANELS

All Refrigerator / All Freezer Framed (F) Models

Model BI-36R	W	H
Refrigerator Framed Panel	35 <sup>3</sup> / <sub>4</sub> " (908)	69 <sup>9</sup> / <sub>16</sub> " (1767)

Raised Panel Handle Recess Location—  
Refrigerator Panel **A** 38<sup>5</sup>/<sub>32</sub>" (969)

Model BI-36RG	W	H
Refrigerator Framed Panel	35 <sup>3</sup> / <sub>4</sub> " (908)	69 <sup>9</sup> / <sub>16</sub> " (1767)

Raised Panel Handle Recess Location—  
Refrigerator Panel **A** 38<sup>5</sup>/<sub>32</sub>" (969)

Window Cut-Out Dimensions **TBD** **TBD**  
Window Cut-Out Location **C** **TBD** **D** **TBD**

Model BI-36F	W	H
Freezer Framed Panel	35 <sup>3</sup> / <sub>4</sub> " (908)	69 <sup>9</sup> / <sub>16</sub> " (1767)

Raised Panel Handle Recess Location—  
Freezer Panel **A** 38<sup>5</sup>/<sub>32</sub>" (969)

*IMPORTANT NOTE: Panel specifications are for Built-In framed models.*

### FRAMED DOOR PANELS

Over-and-Under Framed (F) Models

Model BI-30U	W	H
Refrigerator Framed Panel	29 <sup>3</sup> / <sub>4</sub> " (756)	49 <sup>15</sup> / <sub>16</sub> " (1268)
Freezer Framed Panel	29 <sup>3</sup> / <sub>4</sub> " (756)	18 <sup>11</sup> / <sub>16</sub> " (475)

Raised Panel Handle Recess Location—  
Refrigerator Panel **A** 24<sup>1</sup>/<sub>32</sub>" (610)  
Freezer Panel **B** 14<sup>7</sup>/<sub>8</sub>" (378)

Model BI-30UG	W	H
Refrigerator Framed Panel	29 <sup>3</sup> / <sub>4</sub> " (756)	49 <sup>15</sup> / <sub>16</sub> " (1268)
Freezer Framed Panel	29 <sup>3</sup> / <sub>4</sub> " (756)	18 <sup>11</sup> / <sub>16</sub> " (475)

Raised Panel Handle Recess Location—  
Refrigerator Panel **A** 24<sup>1</sup>/<sub>32</sub>" (610)  
Freezer Panel **B** 14<sup>7</sup>/<sub>8</sub>" (378)

Window Cut-Out Dimensions **TBD** **TBD**  
Window Cut-Out Location **C** **TBD** **D** **TBD**

Model BI-36U	W	H
Refrigerator Framed Panel	35 <sup>3</sup> / <sub>4</sub> " (908)	49 <sup>15</sup> / <sub>16</sub> " (1268)
Freezer Framed Panel	35 <sup>3</sup> / <sub>4</sub> " (908)	18 <sup>11</sup> / <sub>16</sub> " (475)

Raised Panel Handle Recess Location—  
Refrigerator Panel **A** 24<sup>1</sup>/<sub>32</sub>" (610)  
Freezer Panel **B** 17<sup>7</sup>/<sub>8</sub>" (454)

Model BI-36UG	W	H
Refrigerator Framed Panel	35 <sup>3</sup> / <sub>4</sub> " (908)	49 <sup>15</sup> / <sub>16</sub> " (1268)
Freezer Framed Panel	35 <sup>3</sup> / <sub>4</sub> " (908)	18 <sup>11</sup> / <sub>16</sub> " (475)

Raised Panel Handle Recess Location—  
Refrigerator Panel **A** 24<sup>1</sup>/<sub>32</sub>" (610)  
Freezer Panel **B** 17<sup>7</sup>/<sub>8</sub>" (454)

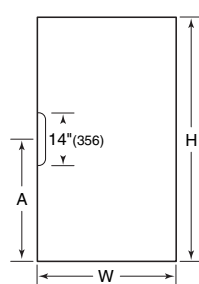
Window Cut-Out Dimensions **TBD** **TBD**  
Window Cut-Out Location **C** **TBD** **D** **TBD**

*IMPORTANT NOTE: Panel specifications are for Built-In framed models.*

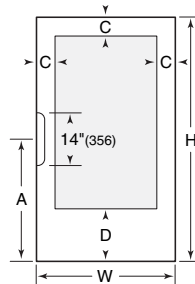
### FRAMED PANELS

Panel specifications are for Built-In framed (F) models.

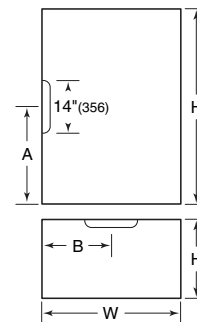
Dimensions in parentheses are in millimeters unless otherwise specified.



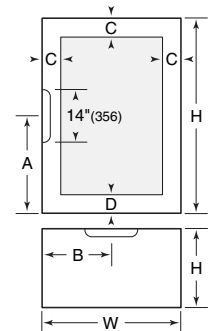
Models BI-36R and BI-36F



Model BI-36RG



Models BI-30U and BI-36U



Models BI-30UG and BI-36UG

# FRAMED PANEL SPECIFICATIONS



## FRAMED DOOR PANELS

Side-by-Side Framed (F) Models

Model BI-36S	W	H
Refrigerator Framed Panel	19 <sup>13</sup> / <sub>16</sub> " (503)	69 <sup>9</sup> / <sub>16</sub> " (1767)
Freezer Framed Panel	15 <sup>7</sup> / <sub>16</sub> " (392)	69 <sup>9</sup> / <sub>16</sub> " (1767)
Raised Panel Handle Recess Location—		
Refrigerator   Freezer Panel	A 38 <sup>5</sup> / <sub>32</sub> " (969)	

Models BI-42S and BI-42SD	W	H
Refrigerator Framed Panel	24 <sup>13</sup> / <sub>16</sub> " (630)	69 <sup>9</sup> / <sub>16</sub> " (1767)
Freezer Framed Panel	16 <sup>7</sup> / <sub>16</sub> " (418)	69 <sup>9</sup> / <sub>16</sub> " (1767)
Raised Panel Handle Recess Location—		
Refrigerator   Freezer Panel	A 38 <sup>5</sup> / <sub>32</sub> " (969)	

Models BI-48S and BI-48SD	W	H
Refrigerator Framed Panel	28 <sup>1</sup> / <sub>2</sub> " (724)	69 <sup>9</sup> / <sub>16</sub> " (1767)
Freezer Framed Panel	18 <sup>3</sup> / <sub>4</sub> " (476)	69 <sup>9</sup> / <sub>16</sub> " (1767)
Raised Panel Handle Recess Location—		
Refrigerator   Freezer Panel	A 38 <sup>5</sup> / <sub>32</sub> " (969)	

Models BI-42SD and BI-48SD	W	H
Glasswell Cut-Out Dimensions	5 <sup>7</sup> / <sub>8</sub> " (149)	12 <sup>7</sup> / <sub>8</sub> " (315)
Glasswell Location (Refrigerator)	E 1 <sup>7</sup> / <sub>8</sub> " (48)	F 28 <sup>3</sup> / <sub>4</sub> " (730)

For Models BI-42SD and BI-48SD, panel thickness in the glasswell area can range from 1/4" (6) to a maximum of 1 1/8" (29). If the panel is thicker, you must rout out a minimum 1/4" (6) flat landing area to accommodate the bezel surrounding the glasswell.

## PARTIAL FRAMED DOOR PANEL OPTION

Ice / Water Dispensing Framed (F) Models

Model BI-42SD	W	H
Refrigerator Partial Framed Panel	15 <sup>1</sup> / <sub>16</sub> " (383)	69 <sup>9</sup> / <sub>16</sub> " (1767)
Freezer Partial Framed Panel	15 <sup>1</sup> / <sub>16</sub> " (383)	69 <sup>9</sup> / <sub>16</sub> " (1767)

Model BI-48SD	W	H
Refrigerator Partial Framed Panel	16 <sup>3</sup> / <sub>4</sub> " (425)	69 <sup>9</sup> / <sub>16</sub> " (1767)
Freezer Partial Framed Panel	16 <sup>3</sup> / <sub>4</sub> " (425)	69 <sup>9</sup> / <sub>16</sub> " (1767)

The partial framed accessory kit is required for this option. Kit includes partial framed molding and classic stainless steel flush inset handle panels for above and below glasswell on the refrigerator door.

## PANEL GRILLE OPTION

Framed (F) Models

Models BI-30U and BI-30UG	W	H
Grille Panel Width	29 <sup>3</sup> / <sub>4</sub> " (756)	

Models BI-36R, BI-36RG and BI-36F	W	H
Grille Panel Width	35 <sup>3</sup> / <sub>4</sub> " (908)	

Models BI-36U, BI-36UG and BI-36S	W	H
Grille Panel Width	35 <sup>3</sup> / <sub>4</sub> " (908)	

Models BI-42S and BI-42SD	W	H
Grille Panel Width	41 <sup>3</sup> / <sub>4</sub> " (1060)	

Models BI-48S and BI-48SD	W	H
Grille Panel Width	47 <sup>3</sup> / <sub>4</sub> " (1213)	

83" (2108) Overall Unit Height	W	H
Grille Panel Height	7 <sup>15</sup> / <sub>16</sub> " (202)	

84" (2134) Overall Unit Height (standard)	W	H
Grille Panel Height	8 <sup>15</sup> / <sub>16</sub> " (227)	

88" (2235) Overall Unit Height	W	H
Grille Panel Height	12 <sup>15</sup> / <sub>16</sub> " (329)	

For panel grille insert size, use width dimension listed for your model and height dimension for overall unit height. 84" (2134) overall unit height is standard.

## DOUBLE FRAMED PANEL GRILLE OPTION

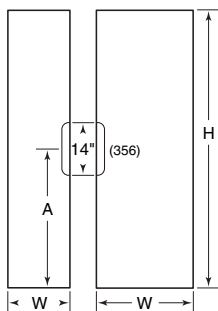
Dual Installation with 84" (2235) Overall Height

Two 30" (762) Wide Units	W	H
Double Grille Panel	60" (1524)	8 <sup>15</sup> / <sub>16</sub> " (227)

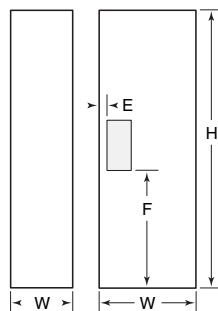
Two 36" (914) Wide Units	W	H
Double Grille Panel	72" (1829)	8 <sup>15</sup> / <sub>16</sub> " (227)

Double grille assemblies are available as sales accessories through your Sub-Zero dealer.

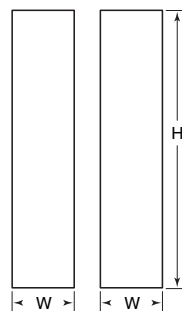
**IMPORTANT NOTE:** Panel specifications are for Built-In framed models.



Models BI-36S, BI-42S and BI-48S



Models BI-42SD and BI-48SD



Models BI-42SD and BI-48SD Partial Framed Option



OVERLAY PANELS

OVERLAY PANELS

Refer to the Overlay Panel Specifications on pages 24–25 for panel dimensions.

If your customer has chosen an overlay design application, make sure that the panels you are about to install match dimensions listed in the Overlay Panel Specifications on pages 24–25.

**IMPORTANT NOTE:** The overlay panel must fit over the door frame. The weight of each panel assembly cannot exceed 50 lbs (23 kg), 75 lbs (34 kg) for Models BI-36R, BI-36RG and BI-36F.

Overlay models are shipped without handle hardware. The cabinet manufacturer or designer will need to provide handle hardware to match the overall decorating scheme.

To install overlay panels, first remove the door trim molding. For side-by-side models and the upper door for over-and-under models, insert a screwdriver tip into the top corner slot on the handle side and pop out the trim molding. Remove the screws and frame. For the drawer on over-and-under models, insert a screwdriver tip into the slot on either side of the trim molding running along the top of the drawer and pop out the trim molding. Remove the screws and frame. Refer to the illustrations on pages 18–19.

Sub-Zero allows a 1/4" (6) space to slide the backing material into place in the frame. If your material is thicker than a 1/4" (6), either rout an edge around the panel to get a proper fit or mount the decorative overlay panel on a sheet of 1/4" (6) thick material and insert the backing material into the channel.

You must allow for 0.10" (3) space between the backer board and the decorative panel, so the panel will slide easily into the door frame.

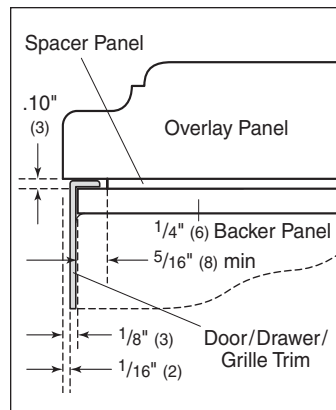
The illustrations below provide a cross section view of the three panel assembly showing placement of the door/drawer/grille trim and a rear view of the three panel assembly with critical dimensions, standard for all models.

Install the handle hardware before inserting the panel. We recommend larger D-style pulls. The use of small, one-piece knobs is not recommended. If you use screws with thick heads, you will need to countersink the screws into the backer panel before sliding the assembly into place.

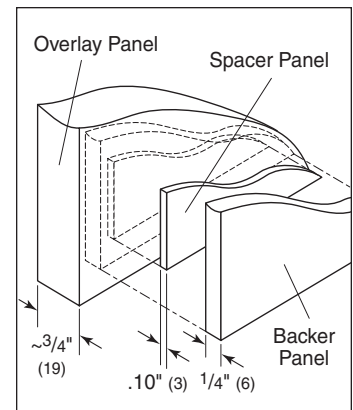
Slide the panel into the frame on the door. With the panel in position, replace the frame end. Be sure the panel is inserted completely into the channel for proper fit and alignment.

To reinstall the trim molding on side-by-side models and the upper door for over-and-under models, insert the top of the trim molding into the grooves at the top of the door and work downward, snapping the trim molding into the clips on the frame.

For the drawer on over-and-under models, start at one end and move towards the opposite end, snapping the trim molding into the clips on the frame.



Overlay panels—cross section



Overlay panels—three panel assembly



**GLASSWELL — DISPENSER MODELS**

The dispenser area of Models BI-42SD and BI-48SD has been engineered to enable the use of the overlay/flush inset panel application. Installing overlay/flush inset panels for these models is the same procedure as for other Built-In models. The refrigerator door panel will need to accommodate a cut-out for the glasswell bezel.

To remove the glasswell bezel for an overlay/flush inset Model BI-42SD or BI-48SD, the water grille and touch pad must be removed. Lift the water grille up and out. Next, remove the touch pad assembly which is taped in place, by removing the center plastic mandrel supports. Carefully tilt the touch pad out and disconnect the wire harness (blue side up) from the back side of the touch pad. Remove the bezel by removing the four screws.

Insert the overlay/flush inset panel into the door trim. Reverse the procedure to install the bezel, touch pad and water grille. To install the plastic rivets, insert rivets through the touch pad and into the control housing and secure by pressing mandrels into the body of the rivets. Refer to the illustrations below.

**IMPORTANT NOTE:** The total panel thickness (including backer and spacer, if used) in the glasswell bezel area can range from 1/4" (6) to a maximum of 1 1/8" (29). If the panel is thicker, provisions must be made to rout out a space to accommodate the bezel surrounding the glasswell.

**GRILLE PANEL ASSEMBLY**

Remove the inner grille panel assembly as described in Grille Removal, page 14. Remove the top two corner screws and pull away the top frame. Slide the panel into position in the grille frame. If you are using a grille panel 1/4" (6) or thinner, you will need to install a filler.

Reattach the top frame by reinstalling the two top corner screws. Install the inner grille panel assembly onto the unit, by reversing the procedure outlined in Grille Removal, page 14.

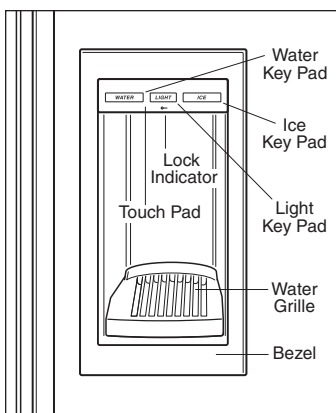
Refer to specifications for Overlay Grille Panels on page 25, and the illustration on page 22, for the exact sizing of all three panels.

**⚠ CAUTION**

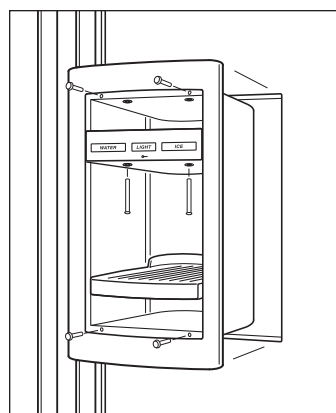
**Do not exceed the panel dimensions listed for the appropriate overlay grille panel you are specifying. The overlay decorative panel cannot be any larger or it may restrict the air flow to the compressor area and cause problems with the operation of the Sub-Zero unit.**

PANEL DESIGN

**Additional panel design information can be found in the Sub-Zero Built-In Design Guide. Check our website at [subzero.com](http://subzero.com).**



**Glasswell—dispenser models**



**Glasswell bezel removal**

Dimensions in parentheses are in millimeters unless otherwise specified.

# OVERLAY PANEL SPECIFICATIONS

## OVERLAY DOOR PANELS

All Refrigerator / All Freezer Overlay (O) Models

Model BI-36R	W	H
Refrigerator Overlay Panel	36" (914)	69 <sup>3</sup> / <sub>4</sub> " (1772)
Refrigerator Spacer Panel	35 <sup>1</sup> / <sub>8</sub> " (892)	68 <sup>15</sup> / <sub>16</sub> " (1751)
Refrigerator Backer Panel	35 <sup>3</sup> / <sub>4</sub> " (908)	69 <sup>9</sup> / <sub>16</sub> " (1767)

Model BI-36RG	W	H
Refrigerator Overlay Panel	36" (914)	69 <sup>3</sup> / <sub>4</sub> " (1772)
Refrigerator Spacer Panel	35 <sup>1</sup> / <sub>8</sub> " (892)	68 <sup>15</sup> / <sub>16</sub> " (1751)
Refrigerator Backer Panel	35 <sup>3</sup> / <sub>4</sub> " (908)	69 <sup>9</sup> / <sub>16</sub> " (1767)

Window Cut-Out Dimensions	TBD	TBD
Window Cut-Out Location	C TBD	D TBD

Model BI-36F	W	H
Refrigerator Overlay Panel	36" (914)	69 <sup>3</sup> / <sub>4</sub> " (1772)
Refrigerator Spacer Panel	35 <sup>1</sup> / <sub>8</sub> " (892)	68 <sup>15</sup> / <sub>16</sub> " (1751)
Refrigerator Backer Panel	35 <sup>3</sup> / <sub>4</sub> " (908)	69 <sup>9</sup> / <sub>16</sub> " (1767)

**IMPORTANT NOTE:** Panel specifications are for Built-In overlay/flush inset models in a standard overlay installation.

## OVERLAY DOOR PANELS

Over-and-Under Overlay (O) Models

Model BI-30U	W	H
Refrigerator Overlay Panel	30" (762)	50 <sup>1</sup> / <sub>8</sub> " (1273)
Refrigerator Spacer Panel	29 <sup>1</sup> / <sub>8</sub> " (740)	49 <sup>5</sup> / <sub>16</sub> " (1253)
Refrigerator Backer Panel	29 <sup>3</sup> / <sub>4</sub> " (756)	49 <sup>15</sup> / <sub>16</sub> " (1268)

Freezer Overlay Panel	30" (762)	19" (483)
Freezer Spacer Panel	29 <sup>1</sup> / <sub>8</sub> " (740)	18 <sup>1</sup> / <sub>16</sub> " (459)
Freezer Backer Panel	29 <sup>3</sup> / <sub>4</sub> " (756)	18 <sup>11</sup> / <sub>16</sub> " (475)

Model BI-30UG	W	H
Refrigerator Overlay Panel	30" (762)	50 <sup>1</sup> / <sub>8</sub> " (1273)
Refrigerator Spacer Panel	29 <sup>1</sup> / <sub>8</sub> " (740)	49 <sup>5</sup> / <sub>16</sub> " (1253)
Refrigerator Backer Panel	29 <sup>3</sup> / <sub>4</sub> " (756)	49 <sup>15</sup> / <sub>16</sub> " (1268)

Freezer Overlay Panel	30" (762)	19" (483)
Freezer Spacer Panel	29 <sup>1</sup> / <sub>8</sub> " (740)	18 <sup>1</sup> / <sub>16</sub> " (459)
Freezer Backer Panel	29 <sup>3</sup> / <sub>4</sub> " (756)	18 <sup>11</sup> / <sub>16</sub> " (475)

Window Cut-Out Dimensions	TBD	TBD
Window Cut-Out Location	C TBD	D TBD

Model BI-36U	W	H
Refrigerator Overlay Panel	36" (914)	50 <sup>1</sup> / <sub>8</sub> " (1273)
Refrigerator Spacer Panel	35 <sup>1</sup> / <sub>8</sub> " (892)	49 <sup>5</sup> / <sub>16</sub> " (1253)
Refrigerator Backer Panel	35 <sup>3</sup> / <sub>4</sub> " (908)	49 <sup>15</sup> / <sub>16</sub> " (1268)

Freezer Overlay Panel	36" (914)	19" (483)
Freezer Spacer Panel	35 <sup>1</sup> / <sub>8</sub> " (892)	18 <sup>1</sup> / <sub>16</sub> " (459)
Freezer Backer Panel	35 <sup>3</sup> / <sub>4</sub> " (908)	18 <sup>11</sup> / <sub>16</sub> " (475)

Model BI-36UG	W	H
Refrigerator Overlay Panel	36" (914)	50 <sup>1</sup> / <sub>8</sub> " (1273)
Refrigerator Spacer Panel	35 <sup>1</sup> / <sub>8</sub> " (892)	49 <sup>5</sup> / <sub>16</sub> " (1253)
Refrigerator Backer Panel	35 <sup>3</sup> / <sub>4</sub> " (908)	49 <sup>15</sup> / <sub>16</sub> " (1268)

Freezer Overlay Panel	36" (914)	19" (483)
Freezer Spacer Panel	35 <sup>1</sup> / <sub>8</sub> " (892)	18 <sup>1</sup> / <sub>16</sub> " (459)
Freezer Backer Panel	35 <sup>3</sup> / <sub>4</sub> " (908)	18 <sup>11</sup> / <sub>16</sub> " (475)

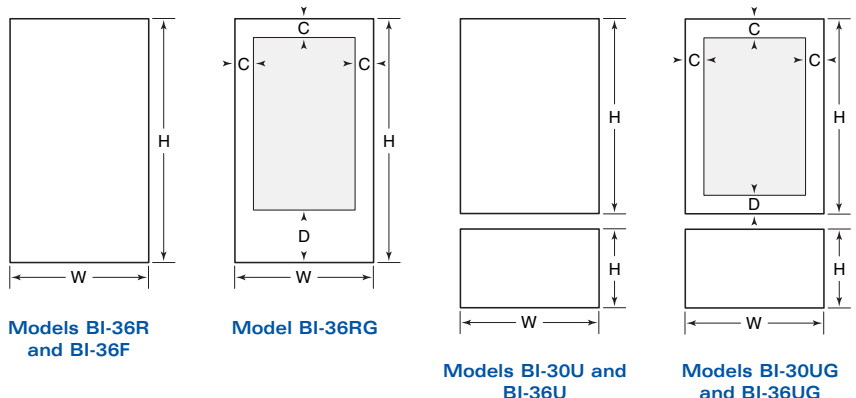
Window Cut-Out Dimensions	TBD	TBD
Window Cut-Out Location	C TBD	D TBD

**IMPORTANT NOTE:** Panel specifications are for Built-In overlay/flush inset models in a standard overlay installation.

## OVERLAY PANELS

Panel specifications are for Built-In overlay (O) models.

Dimensions in parentheses are in millimeters unless otherwise specified.





## OVERLAY PANEL SPECIFICATIONS



### OVERLAY DOOR PANELS

Side-by-Side Overlay (O) Models

#### Model BI-36S

	W	H
Refrigerator Overlay Panel	20 <sup>1</sup> / <sub>16</sub> " (510)	69 <sup>3</sup> / <sub>4</sub> " (1772)
Refrigerator Spacer Panel	19 <sup>3</sup> / <sub>16</sub> " (487)	68 <sup>15</sup> / <sub>16</sub> " (1751)
Refrigerator Backer Panel	19 <sup>13</sup> / <sub>16</sub> " (503)	69 <sup>9</sup> / <sub>16</sub> " (1767)
Freezer Overlay Panel	15 <sup>11</sup> / <sub>16</sub> " (398)	69 <sup>3</sup> / <sub>4</sub> " (1772)
Freezer Spacer Panel	14 <sup>13</sup> / <sub>16</sub> " (376)	68 <sup>15</sup> / <sub>16</sub> " (1751)
Freezer Backer Panel	15 <sup>7</sup> / <sub>16</sub> " (392)	69 <sup>9</sup> / <sub>16</sub> " (1767)

#### Models BI-42S and BI-42SD

	W	H
Refrigerator Overlay Panel	25 <sup>1</sup> / <sub>16</sub> " (637)	69 <sup>3</sup> / <sub>4</sub> " (1772)
Refrigerator Spacer Panel	24 <sup>3</sup> / <sub>16</sub> " (614)	68 <sup>15</sup> / <sub>16</sub> " (1751)
Refrigerator Backer Panel	24 <sup>13</sup> / <sub>16</sub> " (630)	69 <sup>9</sup> / <sub>16</sub> " (1767)
Freezer Overlay Panel	16 <sup>11</sup> / <sub>16</sub> " (424)	69 <sup>3</sup> / <sub>4</sub> " (1772)
Freezer Spacer Panel	15 <sup>13</sup> / <sub>16</sub> " (402)	68 <sup>15</sup> / <sub>16</sub> " (1751)
Freezer Backer Panel	16 <sup>7</sup> / <sub>16</sub> " (418)	69 <sup>9</sup> / <sub>16</sub> " (1767)

#### Models BI-48S and BI-48SD

	W	H
Refrigerator Overlay Panel	28 <sup>3</sup> / <sub>4</sub> " (730)	69 <sup>3</sup> / <sub>4</sub> " (1772)
Refrigerator Spacer Panel	27 <sup>7</sup> / <sub>8</sub> " (708)	68 <sup>15</sup> / <sub>16</sub> " (1751)
Refrigerator Backer Panel	28 <sup>1</sup> / <sub>2</sub> " (724)	69 <sup>9</sup> / <sub>16</sub> " (1767)
Freezer Overlay Panel	19" (483)	69 <sup>3</sup> / <sub>4</sub> " (1772)
Freezer Spacer Panel	18 <sup>1</sup> / <sub>8</sub> " (460)	68 <sup>15</sup> / <sub>16</sub> " (1751)
Freezer Backer Panel	18 <sup>3</sup> / <sub>4</sub> " (476)	69 <sup>9</sup> / <sub>16</sub> " (1767)

#### Models BI-42SD and BI-48SD

	W	H
Glasswell Cut-Out Dimensions	5 <sup>7</sup> / <sub>8</sub> " (149)	12 <sup>7</sup> / <sub>16</sub> " (316)
Glasswell Location (Overlay)	E 2" (51)	F 28 <sup>13</sup> / <sub>16</sub> " (732)
Glasswell Location (Spacer)	E 1 <sup>9</sup> / <sub>16</sub> " (40)	F 28 <sup>3</sup> / <sub>8</sub> " (721)
Glasswell Location (Backer)	E 1 <sup>7</sup> / <sub>8</sub> " (48)	F 28 <sup>11</sup> / <sub>16</sub> " (729)

For Models BI-42SD and BI-48SD, panel thickness in the glasswell area can range from 1/4" (6) to a maximum of 1 1/8" (29). If the panel is thicker, you must rout out a minimum 1/4" (6) flat landing area to accommodate the bezel surrounding the glasswell.

**IMPORTANT NOTE:** Panel specifications are for Built-In overlay/flush inset models in a standard overlay installation.

### OVERLAY GRILLE PANELS

Overlay/Flush Inset Models

#### Models BI-30U and BI-30UG

	W	H
Grille Overlay Panel Width	30" (762)	
Grille Spacer Panel Width	29 <sup>1</sup> / <sub>8</sub> " (740)	
Grille Backer Panel Width	29 <sup>3</sup> / <sub>4</sub> " (756)	

#### Models BI-36R, BI-36RG, BI-36F, BI-36U, BI-36UG and BI-36S

	W	H
Grille Overlay Panel Width	36" (914)	
Grille Spacer Panel Width	35 <sup>1</sup> / <sub>8</sub> " (892)	
Grille Backer Panel Width	35 <sup>3</sup> / <sub>4</sub> " (908)	

#### Model BI-42S and BI-42SD

	W	H
Grille Overlay Panel Width	42" (1067)	
Grille Spacer Panel Width	41 <sup>1</sup> / <sub>8</sub> " (1045)	
Grille Backer Panel Width	41 <sup>3</sup> / <sub>4</sub> " (1060)	

#### Model BI-48S and BI-48SD

	W	H
Grille Overlay Panel Width	48" (1219)	
Grille Spacer Panel Width	47 <sup>1</sup> / <sub>8</sub> " (1197)	
Grille Backer Panel Width	47 <sup>3</sup> / <sub>4</sub> " (1213)	

#### 83" (2108) Overall Unit Height

	W	H
Grille Overlay Panel Height	8 <sup>1</sup> / <sub>4</sub> " (210)	
Grille Spacer Panel Height	7 <sup>5</sup> / <sub>16</sub> " (186)	
Grille Backer Panel Height	7 <sup>15</sup> / <sub>16</sub> " (202)	

#### 84" (2134) Overall Unit Height (standard)

	W	H
Grille Overlay Panel Height	9 <sup>1</sup> / <sub>4</sub> " (235)	
Grille Spacer Panel Height	8 <sup>5</sup> / <sub>16</sub> " (211)	
Grille Backer Panel Height	8 <sup>15</sup> / <sub>16</sub> " (227)	

#### 88" (2235) Overall Unit Height

	W	H
Grille Overlay Panel Height	13 <sup>1</sup> / <sub>4</sub> " (337)	
Grille Spacer Panel Height	12 <sup>5</sup> / <sub>16</sub> " (313)	
Grille Backer Panel Height	12 <sup>15</sup> / <sub>16</sub> " (329)	

For overlay grille panel sizes, use width dimension listed for your model and height dimension for overall unit height. 84" (2134) overall unit height is standard.

### DOUBLE OVERLAY GRILLE PANELS

Dual Installation with 84" (2235) Overall Height

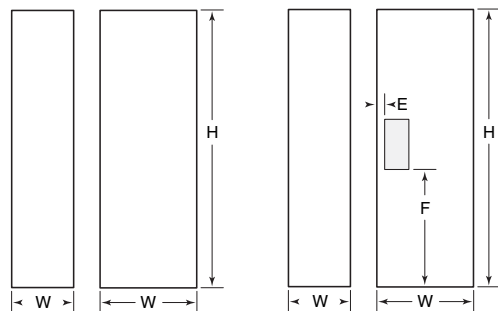
#### Two 30" (762) Wide Units

	W	H
Double Grille Overlay Panel	60 <sup>1</sup> / <sub>4</sub> " (1530)	9 <sup>1</sup> / <sub>4</sub> " (235)
Double Grille Spacer Panel	59 <sup>3</sup> / <sub>8</sub> " (1508)	8 <sup>5</sup> / <sub>16</sub> " (211)
Double Grille Backer Panel	60" (1524)	8 <sup>15</sup> / <sub>16</sub> " (227)

#### Two 36" (914) Wide Units

	W	H
Double Grille Overlay Panel	72 <sup>1</sup> / <sub>4</sub> " (1835)	9 <sup>1</sup> / <sub>4</sub> " (235)
Double Grille Spacer Panel	71 <sup>3</sup> / <sub>8</sub> " (1813)	8 <sup>5</sup> / <sub>16</sub> " (211)
Double Grille Backer Panel	72" (1829)	8 <sup>15</sup> / <sub>16</sub> " (227)

**IMPORTANT NOTE:** Panel specifications are for Built-In overlay/flush inset models in a standard overlay installation.



Models BI-36S, BI-42S and BI-48S

Models BI-42SD and BI-48SD



## FLUSH INSET PANEL INSTALLATION

### FLUSH INSET PANELS

#### FLUSH INSET PANELS

Refer to the Inset Panel Specifications on pages 28–29 for panel dimensions.

If your customer has chosen the flush inset panel application, make sure that the panels you are about to install match dimensions listed in the Flush Inset Panel Specifications on pages 28–29.

**IMPORTANT NOTE:** The size of the flush inset panel is critical. It must be sized correctly for a proper fit inside the opening.

Overlay/flush inset models are shipped without handle hardware. The cabinet manufacturer or designer will provide handle hardware at the job site to match the overall decorating scheme.

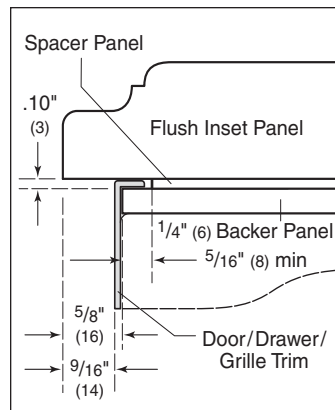
To install flush inset panels, first remove the door trim molding. For side-by-side models and the upper door for over-and-under models, insert a screwdriver tip into the top corner slot on the handle side and pop out the trim molding. Remove the screws and frame. For the drawer on over-and-under models, insert a screwdriver tip into the slot on either side of the trim molding running along the top of the drawer, and pop out the trim molding. Remove the screws and frame. Refer to the illustrations on pages 18–19.

Sub-Zero allows a  $\frac{1}{4}$ " (6) space to slide the backing material into place in the frame. If your material is thicker than a  $\frac{1}{4}$ " (6), either rout an edge around the panel to get a proper fit or mount the decorative overlay panel on a sheet of  $\frac{1}{4}$ " (6) thick material and insert the backing material into the channel.

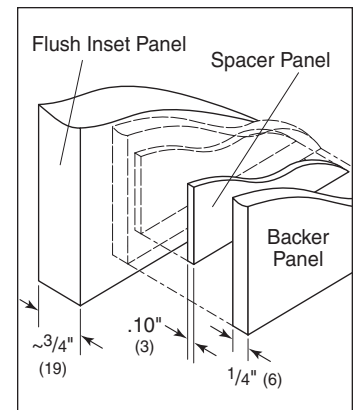
You must allow for 0.10" (3) space between the backer board and the decorative panel, so the panel will slide easily into the door frame.

The illustrations below provide a cross section view of the three panel assembly showing placement of the door/drawer/grille trim and a rear view of the three panel assembly with critical dimensions, standard for all models.

**IMPORTANT NOTE:** With the panels installed,  $\frac{1}{2}$ " (13) minimum reveals must be kept on all sides to ensure proper door opening and sufficient cooling of the unit.



Flush inset panels—cross section



Flush inset panels—three panel assembly



FLUSH INSET PANELS

Install the handle hardware before inserting the panel. We recommend larger D-style pulls. The use of small, one-piece knobs is not recommended. If you use screws with thick heads, you will need to countersink the screws into the backer panel before sliding the assembly into place.

Slide the panel into the frame on the door. With the panel in position, replace the frame end. Be sure the panel is inserted completely into the channel for proper fit and alignment.

To reinstall the trim molding on side-by-side models and the upper door for over-and-under models, insert the top of the trim molding into the grooves at the top of the door and work downward, snapping the trim molding into the clips on the frame.

For the drawer on over-and-under models, start at one end and move towards the opposite end, snapping the trim molding into the clips on the frame.

GRILLE PANEL ASSEMBLY

Remove the inner grille panel assembly as described in Grille Removal, page 14. Remove the top two corner screws and pull away the top frame. Slide the panel into position in the grille frame. If you are using a grille panel 1/4" (6) or thinner, you will need to install a filler.

Reattach the top frame by reinstalling the two top corner screws. Install the inner grille panel assembly onto the unit, by reversing the procedure outlined in Grille Removal, page 14.

Refer to specifications for Overlay Grille Panels on page 25, and the illustration on page 22, for the exact sizing of all three panels.

**⚠ CAUTION**

**Do not exceed the panel dimensions listed for the appropriate flush inset grille panel you are specifying. The flush inset decorative panel cannot be any larger or it may restrict the air flow to the compressor area and cause problems with the operation of the Sub-Zero unit.**

PANEL DESIGN

**Additional panel design information can be found in the Sub-Zero Built-In Design Guide. Check our website at [subzero.com](http://subzero.com).**

## FLUSH INSET PANEL SPECIFICATIONS

### FLUSH INSET DOOR PANELS

All Refrigerator / All Freezer Models in a Flush Inset Application

Model BI-36R	W	H
Refrigerator Flush Inset Panel	37" (940)	69 <sup>3</sup> / <sub>4</sub> " (1772)
Refrigerator Spacer Panel	35 <sup>1</sup> / <sub>8</sub> " (892)	68 <sup>15</sup> / <sub>16</sub> " (1751)
Refrigerator Backer Panel	35 <sup>3</sup> / <sub>4</sub> " (908)	69 <sup>9</sup> / <sub>16</sub> " (1767)
Refrigerator Panel Offset	L <sup>5</sup> / <sub>8</sub> " (16)	R <sup>5</sup> / <sub>8</sub> " (16)
<b>Model BI-36RG</b>	<b>W</b>	<b>H</b>
Refrigerator Flush Inset Panel	37" (940)	69 <sup>3</sup> / <sub>4</sub> " (1772)
Refrigerator Spacer Panel	35 <sup>1</sup> / <sub>8</sub> " (892)	68 <sup>15</sup> / <sub>16</sub> " (1751)
Refrigerator Backer Panel	35 <sup>3</sup> / <sub>4</sub> " (908)	69 <sup>9</sup> / <sub>16</sub> " (1767)
Refrigerator Panel Offset	L <sup>5</sup> / <sub>8</sub> " (16)	R <sup>5</sup> / <sub>8</sub> " (16)
Window Cut-Out Dimensions	TBD	TBD
Window Cut-Out Location	C TBD	D TBD

Model BI-36F	W	H
Freezer Flush Inset Panel	37" (940)	69 <sup>3</sup> / <sub>4</sub> " (1772)
Freezer Spacer Panel	35 <sup>1</sup> / <sub>8</sub> " (892)	68 <sup>15</sup> / <sub>16</sub> " (1751)
Freezer Backer Panel	35 <sup>3</sup> / <sub>4</sub> " (908)	69 <sup>9</sup> / <sub>16</sub> " (1767)
Freezer Panel Offset	L <sup>5</sup> / <sub>8</sub> " (16)	R <sup>5</sup> / <sub>8</sub> " (16)

**IMPORTANT NOTE:** Panel specifications are for Built-In overlay/flush inset models in a flush inset application.

### FLUSH INSET DOOR PANELS

Over-and-Under Models in an Inset Application

Models BI-30U and BI-30UG	W	H
Refrigerator Flush Inset Panel	31" (787)	50 <sup>1</sup> / <sub>8</sub> " (1273)
Refrigerator Spacer Panel	29 <sup>1</sup> / <sub>8</sub> " (740)	49 <sup>5</sup> / <sub>16</sub> " (1253)
Refrigerator Backer Panel	29 <sup>3</sup> / <sub>4</sub> " (756)	49 <sup>15</sup> / <sub>16</sub> " (1268)
Refrigerator Panel Offset	L <sup>5</sup> / <sub>8</sub> " (16)	R <sup>5</sup> / <sub>8</sub> " (16)
Freezer Flush Inset Panel	31" (787)	19" (483)
Freezer Spacer Panel	29 <sup>1</sup> / <sub>8</sub> " (740)	18 <sup>1</sup> / <sub>16</sub> " (459)
Freezer Backer Panel	29 <sup>3</sup> / <sub>4</sub> " (756)	18 <sup>11</sup> / <sub>16</sub> " (475)
Freezer Panel Offset	L <sup>5</sup> / <sub>8</sub> " (16)	R <sup>5</sup> / <sub>8</sub> " (16)
<b>Model BI-30UG</b>	<b>W</b>	<b>H</b>
Window Cut-Out Dimensions	TBD	TBD
Window Cut-Out Location	C TBD	D TBD

Models BI-36U and BI-36UG	W	H
Refrigerator Flush Inset Panel	37" (940)	50 <sup>1</sup> / <sub>8</sub> " (1273)
Refrigerator Spacer Panel	35 <sup>1</sup> / <sub>8</sub> " (892)	49 <sup>5</sup> / <sub>16</sub> " (1253)
Refrigerator Backer Panel	35 <sup>3</sup> / <sub>4</sub> " (908)	49 <sup>15</sup> / <sub>16</sub> " (1268)
Refrigerator Panel Offset	L <sup>5</sup> / <sub>8</sub> " (16)	R <sup>5</sup> / <sub>8</sub> " (16)
Freezer Flush Inset Panel	37" (940)	19" (483)
Freezer Spacer Panel	35 <sup>1</sup> / <sub>8</sub> " (892)	18 <sup>1</sup> / <sub>16</sub> " (459)
Freezer Backer Panel	35 <sup>3</sup> / <sub>4</sub> " (908)	18 <sup>11</sup> / <sub>16</sub> " (475)
Freezer Panel Offset	L <sup>5</sup> / <sub>8</sub> " (16)	R <sup>5</sup> / <sub>8</sub> " (16)

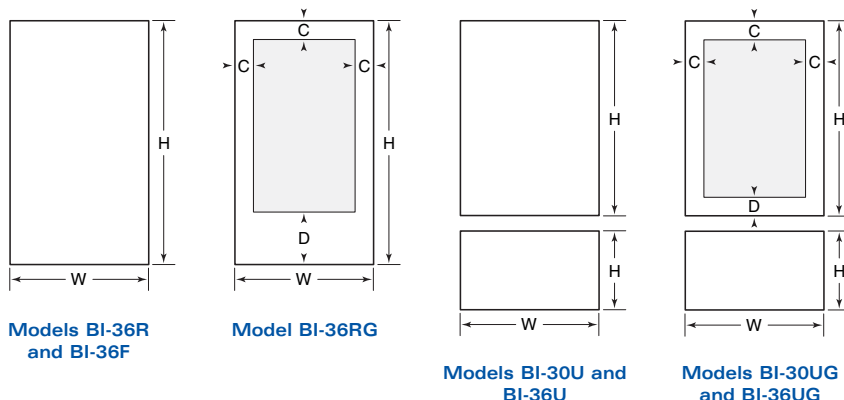
Model BI-36UG	W	H
Window Cut-Out Dimensions	TBD	TBD
Window Cut-Out Location	C TBD	D TBD

**IMPORTANT NOTE:** Panel specifications are for Built-In overlay/flush inset models in a flush inset application.

## FLUSH INSET PANELS

Panel specifications are for Built-In flush inset applications.

Dimensions in parentheses are in millimeters unless otherwise specified.



## FLUSH INSET PANEL SPECIFICATIONS



### FLUSH INSET DOOR PANELS

Side-by-Side Models in a Flush Inset Application

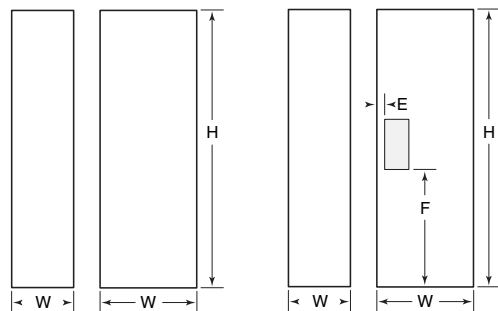
Model BI-36S	W	H
Refrigerator Flush Inset Panel	20 <sup>9</sup> / <sub>16</sub> " (522)	69 <sup>3</sup> / <sub>4</sub> " (1772)
Refrigerator Spacer Panel	19 <sup>3</sup> / <sub>16</sub> " (487)	68 <sup>15</sup> / <sub>16</sub> " (1751)
Refrigerator Backer Panel	19 <sup>13</sup> / <sub>16</sub> " (503)	69 <sup>9</sup> / <sub>16</sub> " (1767)
Refrigerator Panel Offset	L 1 <sup>1</sup> / <sub>8</sub> " (3)	R 5 <sup>5</sup> / <sub>8</sub> " (16)
Freezer Flush Inset Panel	16 <sup>3</sup> / <sub>16</sub> " (411)	69 <sup>3</sup> / <sub>4</sub> " (1772)
Freezer Spacer Panel	14 <sup>13</sup> / <sub>16</sub> " (376)	68 <sup>15</sup> / <sub>16</sub> " (1751)
Freezer Backer Panel	15 <sup>7</sup> / <sub>16</sub> " (392)	69 <sup>9</sup> / <sub>16</sub> " (1767)
Freezer Panel Offset	L 5 <sup>5</sup> / <sub>8</sub> " (16)	R 1 <sup>1</sup> / <sub>8</sub> " (3)

Models BI-42S and BI-42SD	W	H
Refrigerator Flush Inset Panel	25 <sup>9</sup> / <sub>16</sub> " (649)	69 <sup>3</sup> / <sub>4</sub> " (1772)
Refrigerator Spacer Panel	24 <sup>3</sup> / <sub>16</sub> " (614)	68 <sup>15</sup> / <sub>16</sub> " (1751)
Refrigerator Backer Panel	24 <sup>13</sup> / <sub>16</sub> " (630)	69 <sup>9</sup> / <sub>16</sub> " (1767)
Refrigerator Panel Offset	L 1 <sup>1</sup> / <sub>8</sub> " (3)	R 5 <sup>5</sup> / <sub>8</sub> " (16)
Freezer Flush Inset Panel	17 <sup>3</sup> / <sub>16</sub> " (437)	69 <sup>3</sup> / <sub>4</sub> " (1772)
Freezer Spacer Panel	15 <sup>13</sup> / <sub>16</sub> " (402)	68 <sup>15</sup> / <sub>16</sub> " (1751)
Freezer Backer Panel	16 <sup>7</sup> / <sub>16</sub> " (418)	69 <sup>9</sup> / <sub>16</sub> " (1767)
Freezer Panel Offset	L 5 <sup>5</sup> / <sub>8</sub> " (16)	R 1 <sup>1</sup> / <sub>8</sub> " (3)

Models BI-48S and BI-48SD	W	H
Refrigerator Flush Inset Panel	29 <sup>1</sup> / <sub>4</sub> " (743)	69 <sup>3</sup> / <sub>4</sub> " (1772)
Refrigerator Spacer Panel	27 <sup>7</sup> / <sub>8</sub> " (708)	68 <sup>15</sup> / <sub>16</sub> " (1751)
Refrigerator Backer Panel	28 <sup>1</sup> / <sub>2</sub> " (724)	69 <sup>9</sup> / <sub>16</sub> " (1767)
Refrigerator Panel Offset	L 1 <sup>1</sup> / <sub>8</sub> " (3)	R 5 <sup>5</sup> / <sub>8</sub> " (16)
Freezer Flush Inset Panel	19 <sup>1</sup> / <sub>2</sub> " (495)	69 <sup>3</sup> / <sub>4</sub> " (1772)
Freezer Spacer Panel	18 <sup>1</sup> / <sub>8</sub> " (460)	68 <sup>15</sup> / <sub>16</sub> " (1751)
Freezer Backer Panel	18 <sup>3</sup> / <sub>4</sub> " (476)	69 <sup>9</sup> / <sub>16</sub> " (1767)
Freezer Panel Offset	L 5 <sup>5</sup> / <sub>8</sub> " (16)	R 1 <sup>1</sup> / <sub>8</sub> " (3)

Models BI-42SD and BI-48SD	W	H
Glasswell Cut-Out Dimensions	5 <sup>7</sup> / <sub>8</sub> " (149)	12 <sup>7</sup> / <sub>16</sub> " (316)
Glasswell Location (Flush Inset)	E 2" (51)	F 28 <sup>13</sup> / <sub>16</sub> " (732)
Glasswell Location (Spacer)	E 1 <sup>9</sup> / <sub>16</sub> " (40)	F 28 <sup>3</sup> / <sub>8</sub> " (721)
Glasswell Location (Backer)	E 1 <sup>7</sup> / <sub>8</sub> " (48)	F 28 <sup>11</sup> / <sub>16</sub> " (729)

For Models BI-42SD and BI-48SD, panel thickness in the glasswell area can range from 1/4" (6) to a maximum of 1 1/8" (29). If the panel is thicker, you must rout out a minimum 1/4" (6) flat landing area to accommodate the bezel surrounding the glasswell.



Models BI-36S, BI-42S and BI-48S

Models BI-42SD and BI-48SD

### FLUSH INSET GRILLE PANELS

Overlay/Flush Inset Models

Models BI-30U and BI-30UG	W	H
Grille Flush Inset Panel Width	31" (787)	
Grille Spacer Panel Width	29 <sup>1</sup> / <sub>8</sub> " (740)	
Grille Backer Panel Width	29 <sup>3</sup> / <sub>4</sub> " (756)	

### Models BI-36R, BI-36RG, BI-36F, BI-36U, BI-36UG and BI-36S

Grille Flush Inset Panel Width	37" (940)
Grille Spacer Panel Width	35 <sup>1</sup> / <sub>8</sub> " (892)
Grille Backer Panel Width	35 <sup>3</sup> / <sub>4</sub> " (908)

### Models BI-42S and BI-42SD

Grille Flush Inset Panel Width	43" (1092)
Grille Spacer Panel Width	41 <sup>1</sup> / <sub>8</sub> " (1045)
Grille Backer Panel Width	41 <sup>3</sup> / <sub>4</sub> " (1060)

### Models BI-48S and BI-48SD

Grille Flush Inset Panel Width	49" (1245)
Grille Spacer Panel Width	47 <sup>1</sup> / <sub>8</sub> " (1197)
Grille Backer Panel Width	47 <sup>3</sup> / <sub>4</sub> " (1213)

### 83" (2108) Overall Unit Height

Grille Overlay Panel Height	8 <sup>1</sup> / <sub>4</sub> " (210)
Grille Spacer Panel Height	7 <sup>5</sup> / <sub>16</sub> " (186)
Grille Backer Panel Height	7 <sup>15</sup> / <sub>16</sub> " (202)

### 84" (2134) Overall Unit Height (standard)

Grille Overlay Panel Height	9 <sup>1</sup> / <sub>4</sub> " (235)
Grille Spacer Panel Height	8 <sup>5</sup> / <sub>16</sub> " (211)
Grille Backer Panel Height	8 <sup>15</sup> / <sub>16</sub> " (227)

### 88" (2235) Overall Unit Height

Grille Overlay Panel Height	13 <sup>1</sup> / <sub>4</sub> " (337)
Grille Spacer Panel Height	12 <sup>5</sup> / <sub>16</sub> " (313)
Grille Backer Panel Height	12 <sup>15</sup> / <sub>16</sub> " (329)

For overlay grille panel sizes, use width dimension listed for your model and height dimension for overall unit height. 84" (2134) overall unit height is standard.

### DOUBLE FLUSH INSET GRILLE PANELS

Dual Installation with 84" (2235) Overall Height

Two 30" (762) Wide Units	W	H
Double Grille Flush Inset Panel	61 <sup>1</sup> / <sub>4</sub> " (1556)	9 <sup>1</sup> / <sub>4</sub> " (235)
Double Grille Spacer Panel	59 <sup>3</sup> / <sub>8</sub> " (1508)	8 <sup>5</sup> / <sub>16</sub> " (211)
Double Grille Backer Panel	60" (1524)	8 <sup>15</sup> / <sub>16</sub> " (227)

Two 36" (914) Wide Units	W	H
Double Grille Flush Inset Panel	73 <sup>1</sup> / <sub>4</sub> " (1861)	9 <sup>1</sup> / <sub>4</sub> " (235)
Double Grille Spacer Panel	71 <sup>3</sup> / <sub>8</sub> " (1813)	8 <sup>5</sup> / <sub>16</sub> " (211)
Double Grille Backer Panel	72" (1829)	8 <sup>15</sup> / <sub>16</sub> " (227)

**IMPORTANT NOTE:** Panel specifications are for Built-In overlay/flush inset models in a flush inset application.



## SIDE PANEL INSTALLATION

### SIDE PANEL INSTALLATION

**IMPORTANT NOTE:** Side panels will need to be installed before the unit is placed in its final position.

When installing a Built-In unit with side panels, an accessory side panel kit is necessary. A kit is available for installation of stainless steel side panels and one for installing custom wood side panels. Refer to the instructions with the stainless steel side panel kit when installing stainless side panels. The following information is in reference to installation of custom wood side panels.

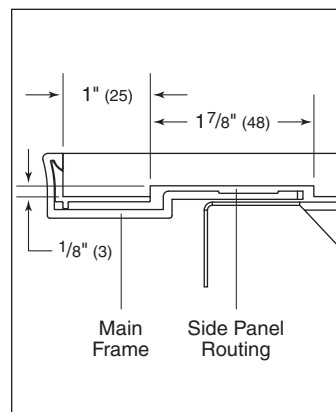
#### WOOD SIDE PANELS

Routing will be necessary on the side panel in order for it to fit flush against the side of the unit. Refer to the illustration below for routing detail. If you have Model BI-30U, BI-30UG, BI-36U or BI-36UG, extra routing will be necessary to avoid having the panel hit the refrigerator lower hinge plate. The illustration on the following page points out the areas where extra routing is needed for these models.

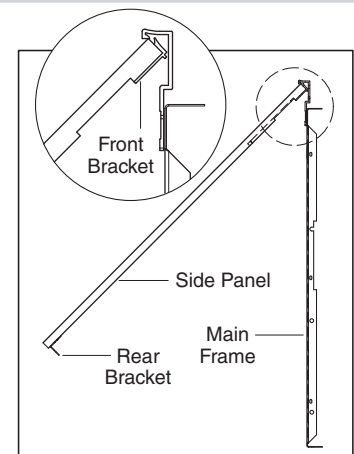
Install the brackets provided in the kit onto the side panel in the locations shown in the illustration on the following page. The front brackets are meant to engage the mainframe and the back brackets will wrap behind the unit when the panel is in place. Screws are provided in the kit. If the provided screws will not work for your installation, you will need to provide the necessary screws to attach the brackets.

**IMPORTANT NOTE:** When a side panel is mounted on the hinge side of an over-and-under unit, it will be necessary to move the bottom front bracket down from the location shown in the illustration on the following page to avoid interfering with the hinge plate.

Place the panel at a 75-degree angle and engage the front brackets into the mainframe. Swing the panel inward, being sure that the front brackets engage the mainframe. With the panel in position, attach the rear brackets to the rear of the unit with the screws provided. Check to see that the panel is secure. Refer to the illustration below.



Routing detail—wood side panel



Side panel attachment—  
top view



SIDE PANEL INSTALLATION

**IMPORTANT NOTE:** The use of side panels may change the width of your rough opening.

**IMPORTANT NOTE:** The overall height on the side panel will vary with the height of the grille being used. Make sure you know your finished height before cutting any panels.

DUAL INSTALLATIONS

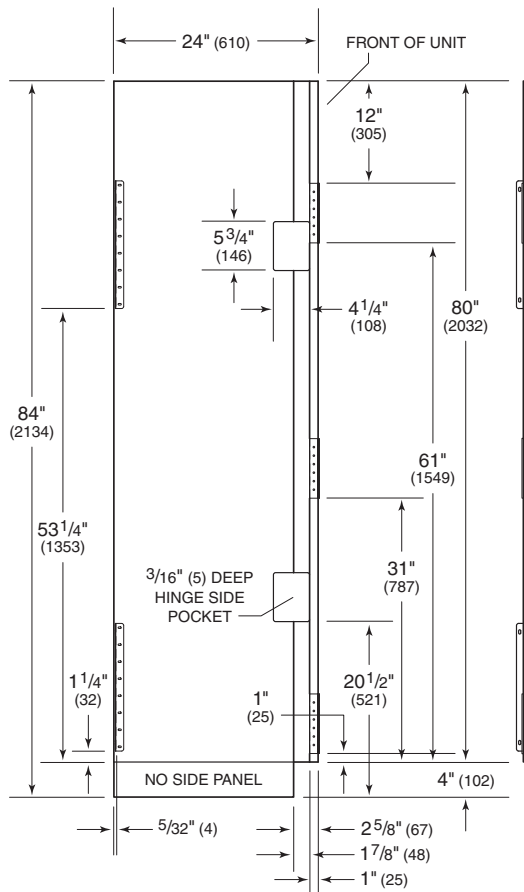
When two Built-in units are installed side-by-side, it is necessary to use a Sub-Zero Built-in dual installation kit. Contact your Sub-Zero dealer for the proper components and installation instructions. For questions relative to the installation, call Sub-Zero at 800-222-7820.

**IMPORTANT NOTE:** Flush Inset panel sizes for dual installations are different than those listed in this book. Please refer to the Sub-Zero Built-In Refrigeration Design Guide.

**IMPORTANT NOTE:** Dual installations can only be accomplished using two units with opposite hinges.

ACCESSORIES

Optional accessories are available through your Sub-Zero dealer. To obtain local dealer information, visit the Showroom Locator section of our website, [subzero.com](http://subzero.com).



Side panel specifications

Dimensions in parentheses are in millimeters unless otherwise specified.



## COMPLETING THE INSTALLATION

### DOOR ADJUSTMENT

The doors for Built-In side-by-side models and the upper door on over-and-under models can be adjusted in three ways: In and out, side to side tilt, and up and down (except over-and-under models).

Regardless of the adjustment being made, start by slightly loosening the two upper hinge bolts on the upper hinge plate using a  $\frac{1}{2}$ " wrench. Refer to the first illustration below.

#### IN AND OUT ADJUSTMENT

The second illustration below points out the proper bolt for the in and out door adjustment. A  $\frac{5}{32}$ " allen wrench is required.

To adjust a left-hinge door, turn the bolt clockwise to bring the handle side of the door inward, and counterclockwise to move the handle side of the door outward. Reverse the directions for a right-hinge door.

#### SIDE TO SIDE TILT ADJUSTMENT

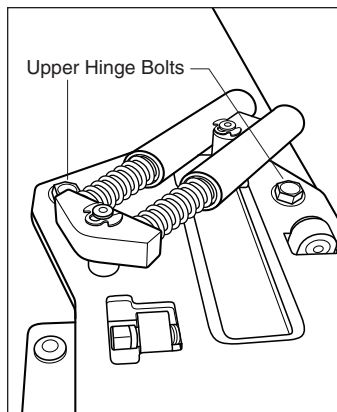
The second illustration below also points out the proper bolt for the side to side tilt door adjustment. A  $\frac{3}{8}$ " wrench is required.

For a left-hinge door, turn the bolt clockwise to raise the handle side of the door up and counterclockwise to tilt the handle side of the door down. Reverse the directions for a right-hinge door.

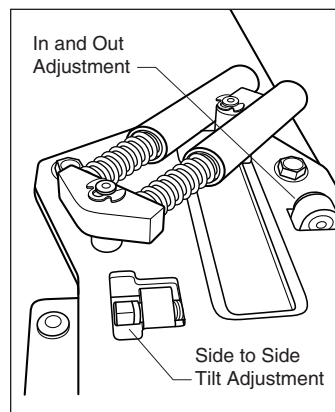
### DOOR HEIGHT ADJUSTMENT

A  $\frac{1}{4}$ " allen wrench is required.

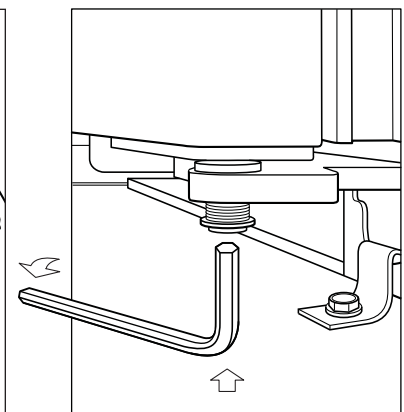
For a left-hinge door, turn the bolt clockwise to raise the door and counterclockwise to lower the door. Refer to the illustration below. Reverse the directions for a right-hinge door.



**Door adjustment—upper hinge bolt**



**Door adjustments**



**Door height adjustment**





**ANCHOR THE UNIT**

After door and side panels have been installed, the unit has been leveled and door adjustment completed, anchor the Built-In unit to the opening. This will assure a proper fit and a secure installation.

**IMPORTANT NOTE:** Be sure to level and square the unit before anchoring it.

To anchor the unit to cabinetry, open the grille, and install the screws provided through the grille frame into the cabinetry. There are several hole locations provided. Check for proper door clearance by fully opening the door. Refer to the illustration below.

Next, drill a screw through the side hole inside the roller base assembly. There is one on each side. The screw will need to go in at an angle in order to attach properly.

**⚠ CAUTION**  
 If the screws provided are not suitable for your application, you must provide adequate screws.

**90-DEGREE DOOR STOP**

The doors of all Built-in models open to 110 degrees. An optional 90-degree door stop kit is available through your Sub-Zero dealer.

The 90-degree door stop will be installed in the top hinge of the door. To install, open the door to approximately 90 degrees. At the top of the door, insert the door stop down between the door hinge and the door closer arm. Insert the screw through the door stop and into the door as shown in the illustration below.

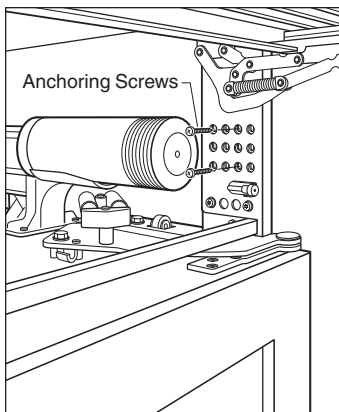
**AIR PURIFICATION SYSTEM**

All Sub-Zero Built-In units, except Model BI-36F, come with an advanced air purification system. A factory installed air purification cartridge is located inside the refrigeration section, on the right-hand side of the back wall. For information regarding use and removal of this cartridge, please refer to the Built-In Refrigeration Use & Care Information provided with the unit.

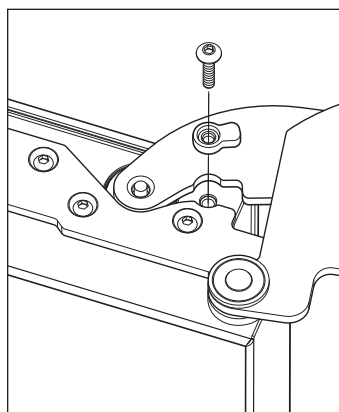
**⚠ CAUTION**  
 **LAMP CONTAINS MERCURY**  
 Manage in accordance with disposal laws. See: [www.lamprecycle.org](http://www.lamprecycle.org) or call 1-800-555-0050.

ACCESSORIES

Optional accessories are available through your Sub-Zero dealer. To obtain local dealer information, visit the Showroom Locator section of our website, [subzero.com](http://subzero.com).



Top anchoring



90-degree door stop

Dimensions in parentheses are in millimeters unless otherwise specified.



### INSTALLATION CHECKLIST

The importance of the installation of the Sub-Zero Built-In unit cannot be overemphasized. Proper installation is the responsibility of the selling dealer or installer.

**IMPORTANT NOTE:** To ensure a safe and proper installation, the following checklist should be completed by the installer to ensure that no part of the installation has been overlooked.

Any questions or problems about the installation should be directed to your Sub-Zero dealer or the Sub-Zero Customer Service Department at 800-222-7820. You may also check the Contact & Support section of our website, [subzero.com](http://subzero.com).

### INSTALLATION CHECKLIST

- Has the packing material been removed?
- Turn the unit on. Is it operating properly? If not, is the unit plugged in? Is the control turned on?
- Is the water supply line connected and not leaking? Is the water supply turned on and ice maker control on?
- Has anti-tip bracket been installed securely and properly engaging the unit?
- Is the unit leveled properly on a solid, level floor? Is the kickplate installed?
- Has the drain pan been installed properly?
- Are panels attached securely and properly aligned?
- Have the door(s) been aligned for proper appearance and operation?
- Has the water filter cartridge been installed?
- Has a filter bypass been ordered (only for homes with a reverse osmosis system)?
- Does your customer understand the unit's operation? Have you given your customer the warranty package?
- Have any installation or service problems been noted on the product registration card? Has the registration card been mailed in?
- Have stainless steel door(s) been inspected for any imperfections? This is to be done by the dealer/installer with the customer upon completion of the installation.  
NOTE: Classic, platinum and carbon stainless steel panels are covered by a limited 60-day parts and labor warranty for cosmetic defects.



SERVICE INFORMATION

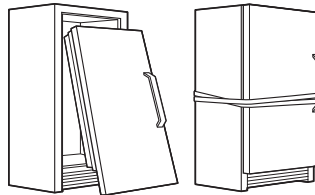
If service is necessary, maintain the quality built into your Sub-Zero unit by calling a Sub-Zero authorized service center.

To obtain the name and number of a Sub-Zero authorized service center, check the Contact & Support section of our website, [subzero.com](http://subzero.com) or call Sub-Zero Customer Service at 800-222-7820.

When calling for service, you will need the model and serial number of your unit. Both numbers are listed on the product rating plate located at the top frame of the unit inside the door. Refer to the illustration on page 3.

**⚠ WARNING**

**If you are storing or disposing of your old refrigerator or freezer, please do it safely. Remove the doors or tightly secure the doors closed. Child entrapment accidents can be tragic.**



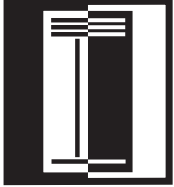
CONTACT INFORMATION

**Sub-Zero  
Customer Service:  
800-222-7820**

**Website:  
[subzero.com](http://subzero.com)**

**The information and images in this book are the copyright property of Sub-Zero, Inc. Neither this book nor any information or images contained herein may be copied or used in whole or in part without the express written permission of Sub-Zero, Inc.**

**©Sub-Zero, Inc. all rights reserved.**



SUB-ZERO, INC. P. O. BOX 44130 MADISON, WI 53744-4130 800-222-7820 SUBZERO.COM



7007891 REV-A 3/2008



7007891\$RevA