

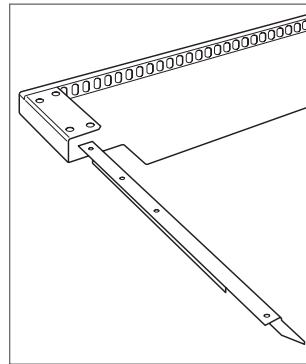
Contents

DUAL FUEL RANGE RISER	
1	Panel, front
1	Panel, back
2	Supports, side
1	Support, center
21	Screws, #8 x 1/2"
1	Shelf, stainless steel (20" tall riser only)
5	Screws, shoulder (for shelf installation only)
1	Instructions

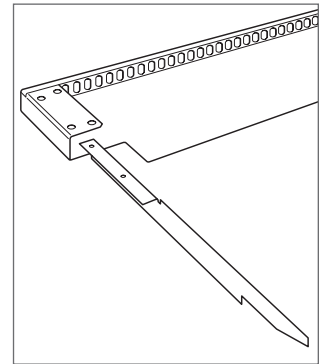
Riser Installation

INSTALL SIDE SUPPORTS

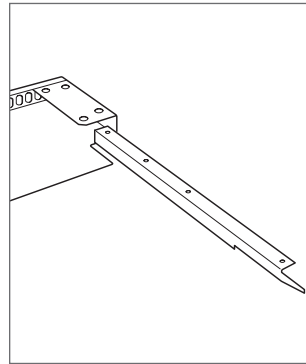
Place front panel on a protected work surface front side down and remove the protective material from the back of the assembly. Limit the amount of material removed to ensure the stainless steel is protected throughout the assembly process. Insert side supports into riser assembly and secure using two #8 x 1/2" screws per side. 48" wide risers have a unique bracket that must be placed on the left of the riser. Refer to the illustrations below.



Left side support.



Left side support (48" only).



Right side support.

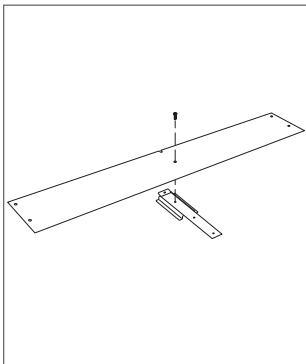
Riser Installation

INSTALL CENTER SUPPORT

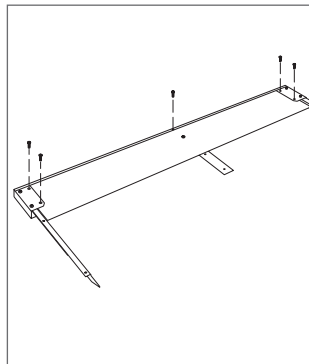
Place center support bracket on a protected work surface then place the riser back panel on the center support and install one #8 x 1/2" screw in the lower hole. Refer to the illustration below.

INSTALL BACK PANEL

Remove the protective material from the black tape on the center support flanges then carefully align the center support hole with the center hole on the front panel. Angle the center support slightly to ensure the tape doesn't adhere before the support is properly aligned with the center hole. Once aligned, press the tape to secure the bracket to the front panel, then secure using #8 x 1/2" screws. The number of screws used is dependent on the height of the riser. Refer to the illustration below.



Center support.



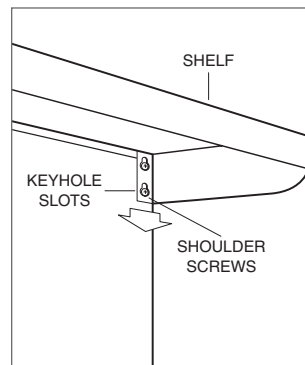
Back panel installation.

INSTALL RISER

Remove the island trim from the range by extracting the screws along the top and both sides. Place the new riser on the range. With the riser properly positioned, insert two screws through the back of the range and into the right, left and center supports. For 48" (1219) wide risers insert two screws into the right and center supports only.

INSTALL SHELF – 20" (508) TALL RISER ONLY

Remove all remaining protective material from the riser. Install two shoulder screws per side. For the 60" (1524) riser, install one screw in the center. Align the keyhole slots on the shelf with the shoulder screws and lower the shelf into position. Refer to the illustration below.



Attach shelf.

