

Contents

30" / 36" DUAL FUEL RANGE

1	Kickplate
2	Bracket, kickplate
2	Screw, #10 x 1/2"
1	Instructions

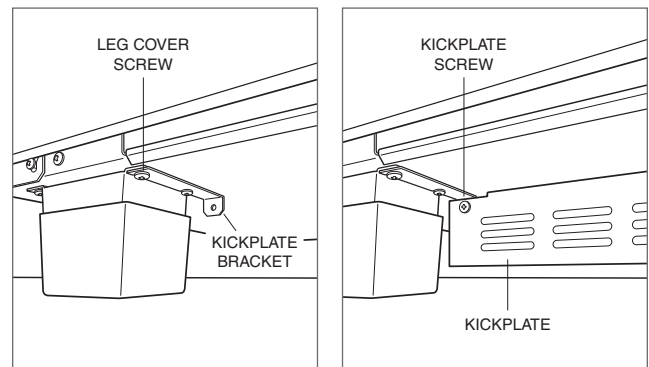
48" / 60" DUAL FUEL RANGE

2	Kickplate
4	Bracket, kickplate
4	Screw, #10 x 1/2"
1	Instructions

Kickplate Installation

Loosen the inside leg cover screws, then slide the kickplate bracket between the screw heads and leg cover flange. Tighten screws to secure.

Align the kickplate(s) with the brackets and insert two #10 x 1/2" screws. Refer to the illustration below.



Kickplate bracket installation.

Kickplate installation.

