

# BERTAZZONI MASTER SERIES

24" 4-BURNER, GAS OVEN

MAS24 4 GAS XE

## HIGHLIGHTS

- Cook with moist gas heat on multiple levels thanks to Bertazzoni balanced airflow and precise temperature control.
- Ranges are controlled by large round soft-touch knobs and feature a professional style handle.
- The one-touch, child safety ignition system lets you light and adjust burners with one hand.
- Thermocouple safety system automatically stops the gas flow if the flame goes out, even when electrical power is cut.



## FEATURES

<b>Gas burners</b>	4
<b>Burner type</b>	aluminum
<b>Maintop</b>	one piece stainless steel sheet
<b>Burner controls</b>	knobs
<b>Knobs</b>	soft touch
<b>Grates</b>	cast iron
<b>Backguard</b>	standard 4 inches
<b>Gas safety device</b>	thermocouple technology
<b>One hand ignition</b>	standard
<b>Standard accessories</b>	wok ring & simmer plate
<b>Dual Power burner</b>	750 - 18,000 Btu/h
<b>Rapid burner</b>	11,000 Btu/h
<b>Semi-rapid burner</b>	6500 Btu/h
<b>Auxiliary burner</b>	3400 Btu/h
<b>Simmer rate</b>	750 Btu/h
<b>Main oven</b>	gas convection with gas infrared broiler
<b>Main oven functions</b>	traditional bake, gas convection, broil, defrost/dehydrate, sabbath mode
<b>Main oven volume</b>	2.4 ft <sup>3</sup>
<b>Inner oven door</b>	full-width triple glass
<b>Oven equipment</b>	1 baking tray, 2 standard wire shelves, 1 grill trivet for tray
<b>Legs</b>	height adjustable stainless steel legs

## TECHNICAL SPECIFICATIONS

<b>Voltage, frequency</b>	120 V, 60Hz
<b>Max Amp Usage, power rating</b>	1.5 A - 150 W
<b>Certification</b>	CSA
<b>Warranty</b>	2 years parts and labor

## ACCESSORIES

Toe kick panel (TKS 30 X), flat island trim (IRF 30 X), side trim (ST 36 X)

Available LPG version MAS 24 4 GAS XE LP

A LP conversion kit for all burners is included

## MATCHING VENTILATION SOLUTIONS

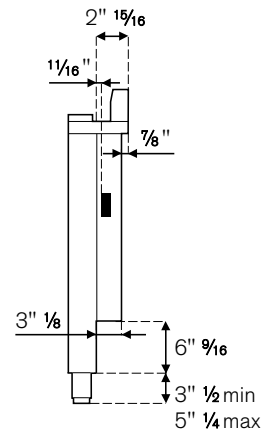
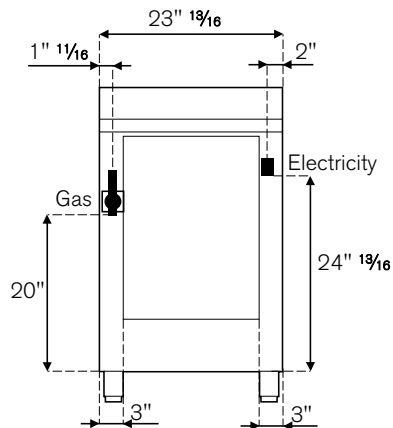
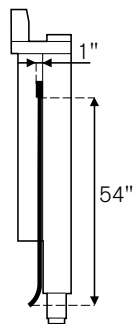
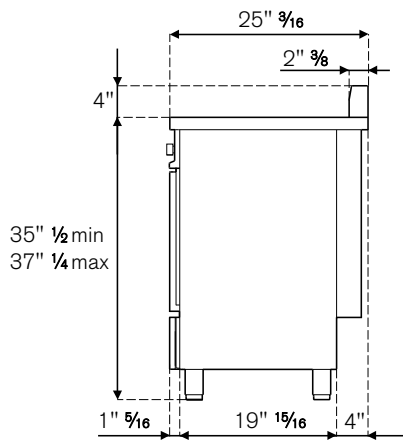
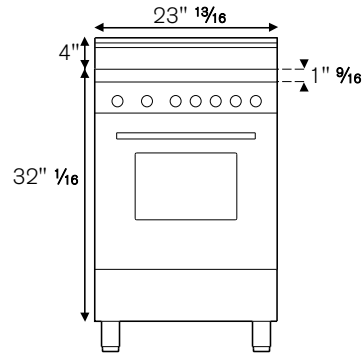
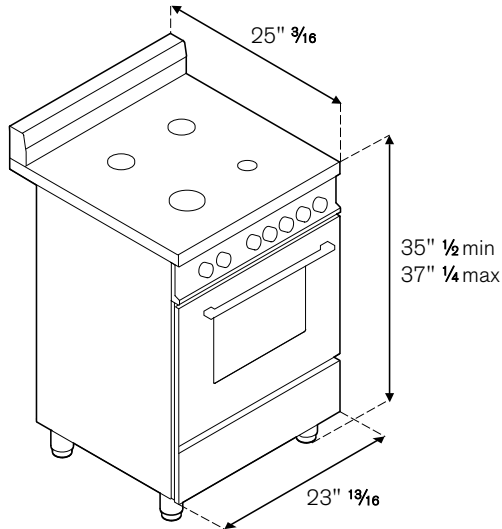
Bertazzoni offers a variety of matching ventilation solutions for this range. Please check our website under the ventilation tab for a complete overview of all choices



TO COOK BEAUTIFULLY  
WWW.BERTAZZONI.COM

# INSTALLATION INSTRUCTIONS

## MAS24 4 GAS XE



Bertazzoni recommends to operate the appliance after it has been installed in a cabinet. The kitchen cabinets shall be made of materials capable of withstanding temperatures at least 117°F (65°C) above room temperature in order to avoid possible damage to the cabinets during oven usage. For further installation instructions refer to the installation manual.

**Disclaimer:** while every effort has been made to insure the accuracy of the information contained in this brochure, Fratelli Bertazzoni reserves the right to change any part of the information at any time without notice.

Fratelli Bertazzoni, Bertazzoni and the winged wheel brand icon are registered trademarks of Bertazzoni Spa.