



**VL041714**  
**Downdraft ventilation Vario 200 series**  
**Stainless steel control panel**  
**Control unit**  
**Air extraction/recirculation with remote fan unit AR 400/401/413**

- Ventilation element integrated in the countertop
- Highly efficient ventilation system at the cooktop
- Compact ducting in connection with flat rectangular pipes AD 8..
- Minimal planning and easy installation for air recirculation

**Output**  
 Sound power level depends on the built-in situation.

**Features**  
 Output control with knob.  
 4 output levels.  
 Ventilation grill can be removed and washed.  
 Stainless steel filter with grease collecting tray, dishwasher-safe.  
 No duct connection piece included.

**Planning notes**  
 No additional switch necessary.  
 Air extraction operation in combination with remote fan units AR 400/401 or recirculation mode with AR 413.  
 Maximum cooktop width between two VL: 24" (exception: VI/VE 270).  
 Plan for air deflector LS 041 000 when installing next to gas appliances to prevent a flame which has been set to low level from being extinguished.  
 When having installed the air baffle LS 041 000 the wok pan WP 400 001 can not be used.  
 When installing a ventilation hood with air extraction mode and a chimney-vented fireplace, the hood's power supply line needs a suitable safety switch.  
 Not for installation in the area of drawers.  
 For maximum duct lengths use Gaggenau flat rectangular ducts AD 8... or Naber-System Compair flow. Other flat ducts are not permitted!  
 Duct connection downwards or sideways:  
 DN 125 cylindrical included.  
 Optional DN 125/150 flat rectangular duct with connection piece AD 824/854 042 (installation accessory).  
 Connection of 2 VL with ducting 2x DN 125 cylindrical or 2x DN 125/150 rectangular at remote fan AR 4...  
 For leading through the floor DN 150 cylindrical with connection of 2 DN 125 cylindrical use Y-joint AD 754 044.  
 Please ensure when installing the exhaust air ducting that no sharp bends are caused and that the cross-section of the ducting is not constricted in any way.  
 For downdraft configurations with maximum lengths of exhaust air ducts go to Rodun at [www.gaggenau.com](http://www.gaggenau.com).

**Rating**  
 Connecting cable 30" with plug.

**Product Features**  
**Operating Mode**  
 Convertable: Ducted / Recirculating  
**Number of speed settings**  
 2-stage  
**Delay Shut off modes**  
**Silence level (dBA)**  
**Required accessories**  
**Optional accessories**  
 AD724040, AS070000, LS041000, VV200014  
**Number of lights**  
**Type of lamps used**  
**Total power of the lamps (W)**  
**Grease filter material**  
 aluminium  
**Grease filter type**  
 Multilayer  
**Clean filter reminders**

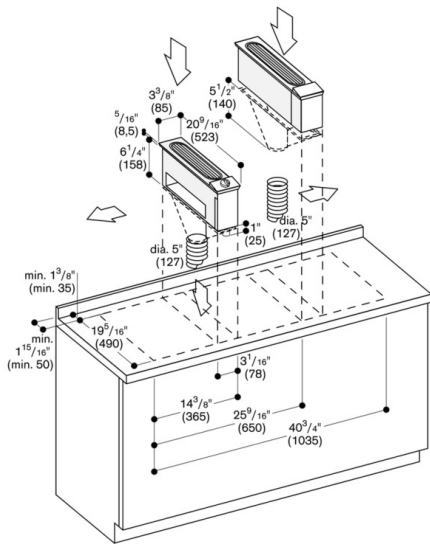
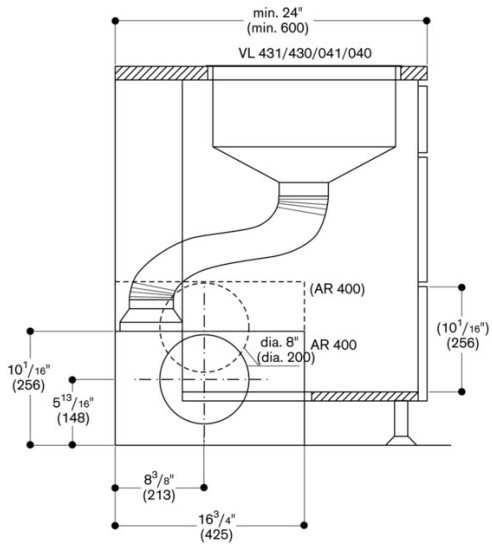
**Consumption and connection features**  
**UPC code**  
 825225887737  
**Material**  
 Stainless steel  
**Watts (W)**  
**Current (A)**  
**Volts (V)**  
 120  
**Frequency (Hz)**  
 60  
**Approval certificates**  
 CE, VDE  
**Power cord length (in)**  
**Plug type**  
**Overall appliance dimensions (HxWxD) (in)**  
 7 1/16" / 7 1/16" x 3 3/8" x 20 1/2"  
**Product packaging dimensions (HxWxD) (in)**  
 7.28 x 23.03 x 11.61  
**Height of the chimney (in)**  
**Vertical rise height**  
**Required distance above cooktop/ranges**  
**Net weight (lbs)**  
 6  
**Gross weight (lbs)**  
 8  
**Adjustable feet**  
**Motor location**  
**Maximum CFM**  
**Diameter of air duct (in) top**  
**Diameter of air duct (in) back**  
**Discharge direction**  
**No-return airflow flap**  
 No

2013-04-22  
 Page 1

**Color Variants**  
 VL041714  
 Stainless steel control panel  
 Control unit

**Optional accessories**  
 AS070000  
 Connection piece for extension in the case of installation next to VK or VF.  
 LS041000  
 Air baffle for VL 040/041 next to gas appliance.  
 VV200014  
 Stainless steel connection strip for combination with further Vario cooktops

Connection VL to AR 400 dia. 5" (125)



Pipe connection round duct left/right/below  
 NW 125 with AD 724 040