



#### Color Variants

VG421210CA  
Stainless steel  
Width 12"

#### Optional accessories

LS330000  
Air deflector required for combination with VL 431/430. Prevents a flame which has been set to a low level from being extinguished.

#### VG421210CA

Vario gas cooktop 400 series

Stainless steel

Width 12"

Natural gas

VG421210CA

- Two-ring burner up to 13,600 BTU. The basis for cooking in a pot or a pan.
- Electronic flame monitoring (ionization principle) with automatic reignition.
- Solid smooth-surface cast pan supports.

#### Cooking zones

One two ring high-output burner (500 - 13,600 BTU).

Two gas burners with two rings, suitable for pots and pans up to a maximum ø 11".

#### Features

Control knob with ring and output marking.

Electronic flame monitoring with automatic re-ignition.

Automatic quick ignition.

One-handed operation.

Safety thermocouple ignition.

All-gas valve with fine control.

Cast-iron pan support.

Brass burner rings.

#### Planning notes

Special nozzles can be ordered as spare parts.

The appliance is not operable without electrical connection.

Control knob to be integrated in the base cabinet at drawer level.

Front panel thickness 5/8" - 1".

The details below must be observed if the panel is more than 1" thick (there must be a recess at the rear for proper control module installation).

Air intake from above.

No intermediate shelf required.

The rear panel must consist of a non-flammable material. Wall trims must be resistant to heat.

Minimum lateral clearance of at least 4" from adjacent heat-sensitive furniture or contact surfaces must be observed or add thermal insulation.

Clamping range: 1 13/16" - 2".

#### Rating

Total rating gas : 32,000 BTU

Total electric rating 17.0 W.

Connecting cable 30" with standard wall plug.

#### Product Features

Product name / series name

Vario/Domino gas hob

Construction type

CONSTR\_TYPE.Built-in

Energy source

Gas

Total number of cooktop burners

2

Type of control

Required cutout size (HxWxD) (mm)

140 x 360 x 490

Width of the product (mm)

380

Overall appliance dimensions (HxWxD) (mm)

138 x 380 x 510

Net weight (kg)

16.000

Gross weight (kg)

17.000

Residual heat indicator

without

Location of control panel

Basic surface material

brushed stainless steel

Color of surface

Stainless steel

Color of frame

Stainless steel

Approval certificates

AGA, CGA

Power cord length (cm)

140.0

#### Consumption and connection features

Watts (W)

17

Gas connection rating (W)

6000

Current (A)

Volts (V)

120

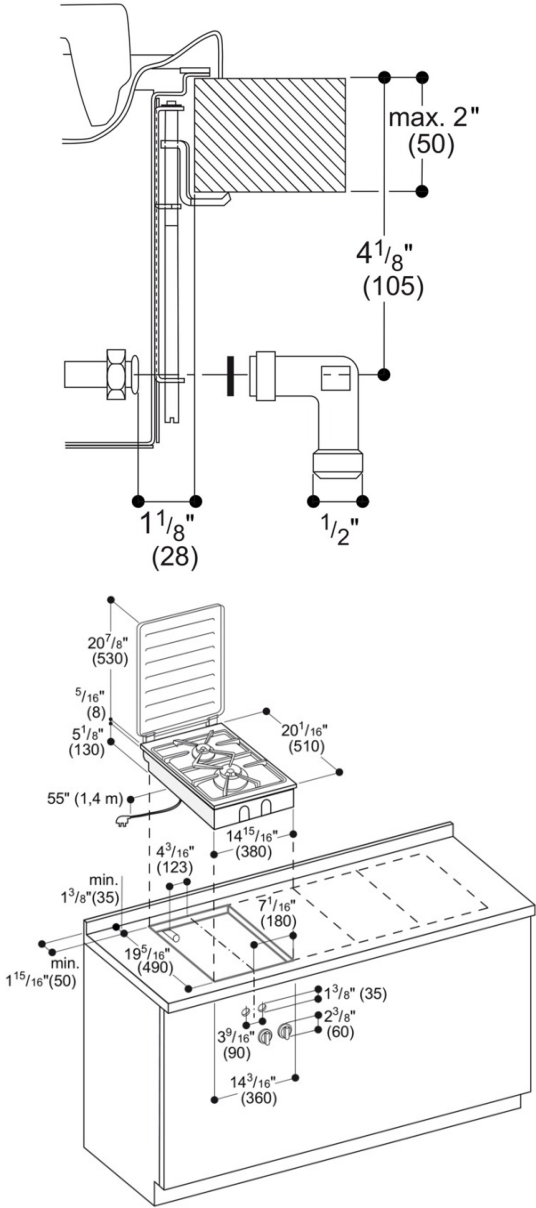
Frequency (Hz)

60; 50

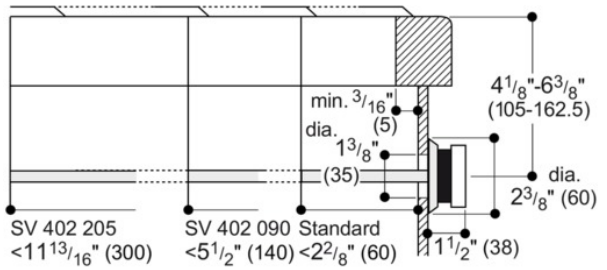
2013-04-22

Page 1

**Gas connection**



**Possible spindle extensions**



**Installation of the control knobs**

