



**VG414210CA**  
**Vario gas wok 400 series**  
**Stainless steel**  
**Width 15 "**  
**Equipped for natural gas.**  
**Wok burner with 5.5 KW**

**Three-ring burner with 18,800 BTU**  
**Electronic flame monitoring**  
**(ionization principle) with automatic**  
**re-ignition.**  
**Solid stainless steel control knob**  
**Precision crafting of 1/8-inch**  
**stainless steel**  
**For surface mount installation with a**  
**visible edge or for flush installation**  
**Can be perfectly combined with other**  
**Vario products of the 400 series**

**Cooking zones**  
 1 three-ring wok burner (300 W – 5500 W), suitable for pots up to max. ø 12 5/8".

**Operation**  
 Control knob with ring and output marking.  
 One-handed operation.  
 All-gas valve with fine control.

**Features**  
 Cast pan support with flat, continuous pot surface.  
 Brass burner rings.

**Safety**  
 Electronic flame monitoring with automatic re-ignition.  
 Automatic quick ignition.  
 Safety lock.

**Planning notes**  
 Depending on the type of installation - surface-/ or flush-mounted, with or without cover - the specific location of the control knob positions may vary. When using the appliance cover VA 440 or adjustment strip VA 450 additional space for cut-out depth needs to be considered.  
 In a combination of Vario cooktops with at least one appliance cover, the adjustment strip VA 450 is required. In a combination of several Vario 400 series cooktops a connection strip must be used. Depending on the type of installation - surface-/ or flush-mounted, with or without cover - the respective VA 420 connecting strip must be used.  
 For flush installation the edge height in the cut-out needs to be at least 1/2" and for surface-mount 3/8". Ensure a continuous cut surface of 90°.  
 The weight capacity and stability, especially in case of thin countertops, must be supported using suitable substructures. Take the appliance weight and additional loads into account.  
 Flush installation is possible in countertops made of stone, synthetics or solid wood. Heat resistance and watertight sealing of the edges must be observed. For other materials, please consult with your countertop manufacturer.  
 The groove must be continuous and even, so that uniform placing of the appliance on the gasket is ensured. Do not use discontinuous lining.  
 The joint width may vary due to size tolerances of the combinations and of the countertop cut-out.  
 If installing several Vario products in individual cut-outs allow for a minimum distance of 2" inbetween the cooktops. Control knobs to be integrated in the base cabinet at drawer level.  
 Panel thickness 5/8" - 1".

**Product Features**  
**Product name / series name**  
 Vario/Domino gas hob  
**Construction type**  
 CONSTR\_TYPE.Built-in  
**Energy source**  
 Gas  
**Total number of cooktop burners**  
 1  
**Required cutout size (HxWxD) (mm)**  
 131 x 360 x 492  
**Width of the product (mm)**  
 380  
**Overall appliance dimensions (HxWxD) (mm)**  
 131 x 380 x 520  
**Net weight (kg)**  
 14.0  
**Gross weight (kg)**  
 16.0  
**Residual heat indicator**  
 without  
**Location of control panel**  
 External control  
**Basic surface material**  
 brushed stainless steel  
**Color of surface**  
 Stainless steel, Stainless steel  
**Color of frame**  
 Stainless steel, Stainless steel  
**Approval certificates**  
 ETL  
**Power cord length (cm)**  
 140

**Consumption and connection features**  
**Watts (W)**  
 15  
**Gas connection rating (W)**  
 5500  
**Current (A)**  
 2  
**Volts (V)**  
 120  
**Frequency (Hz)**  
 60  
**2016-10-07**  
**Page 1**

The drawing "Installation of the control knob" must be observed, if the panel is more than 1" thick. There must be a recess at the rear for proper control module installation.  
 Special nozzles can be ordered as spare parts.  
 Plan for an electrical connection (the appliance is not operable without power supply).  
 Air intake from above.  
 No intermediate shelf required.  
 The rear panel must consist of a non-flammable material. Wall trims must be resistant to heat.  
 The minimum distance from the side of appliance edge to the wall or furnishing components must be at least 6".  
 When used with VL 414 downdraft ventilation, the air deflector AA 414 is recommended to ensure maximum performance of the cooktop.  
 Minimum distance between gas cooktop(s) with more than 40,000 BTU and ventilation hood must be 27 9/16".  
 Appliance can be snapped into the countertop from above.

**Rating**  
 Total connected load gas 18800 BTU (5,5 kW).  
 Connecting cable 55" with plug.

**Color Variants**

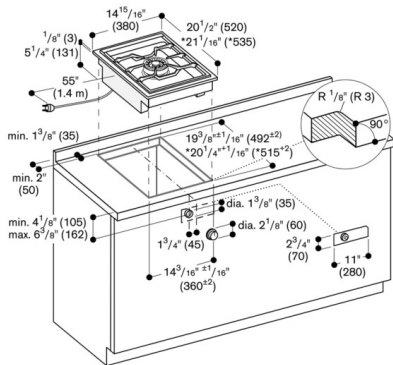
**VG414210CA**  
**Stainless steel**  
**Width 15 "**

**Optional accessories**

**WP400001**  
**Wok pan made of multiple-layer material**

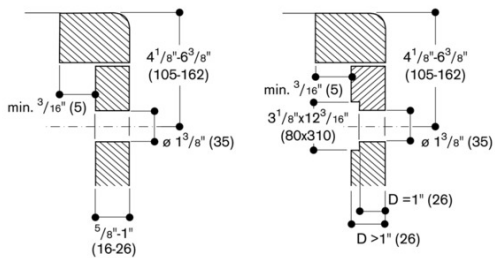
**Installation Accessories**

**SV401090**  
**Shaft extension for up to 5 1/2"**  
**SV401205**  
**Shaft extension for up to 11 13/16"**

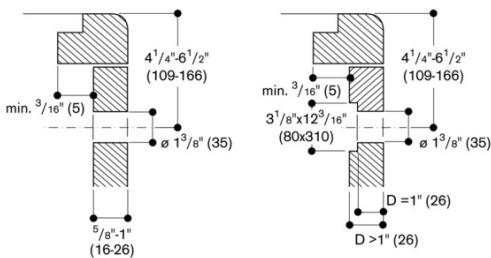


\* with appliance cover or adjustment strip.  
See separate planning notes.

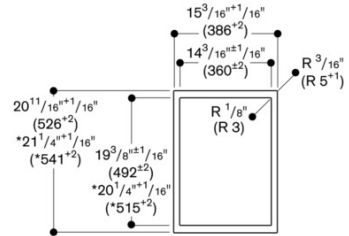
Control knob installation, surface-mounted installation



Control knob installation, flush-mounted installation

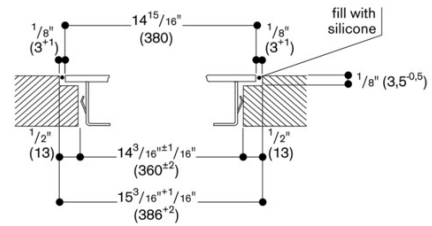


View from above

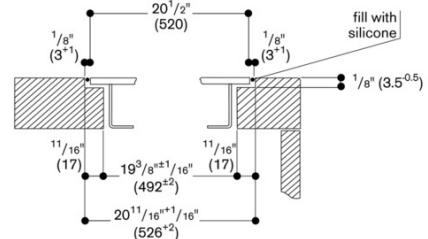


\* with appliance cover or adjustment bar  
(observe front and rear asymmetrical assembly,  
see separate notes "assembly with  
appliance cover/adjustment bar").

Longitudinal section

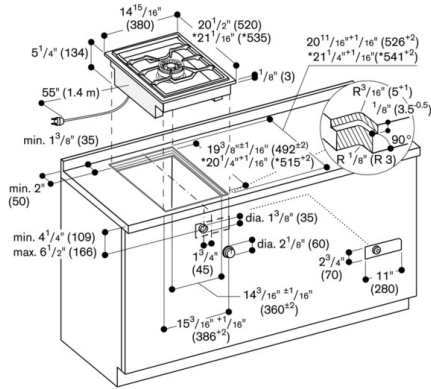


Cross-section



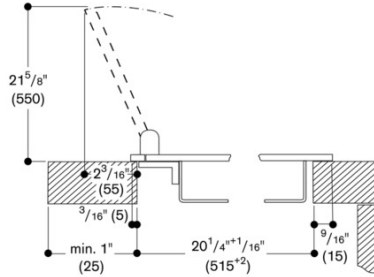
For installation with appliance cover or adjustment bar, observe  
the deeper notch and the slot width front and back.

VG414210CA  
 Vario gas wok 400 series  
 Stainless steel  
 Width 15 "  
 Equipped for natural gas.  
 Wok burner with 5.5 KW  
 2016-10-07  
 Page 3

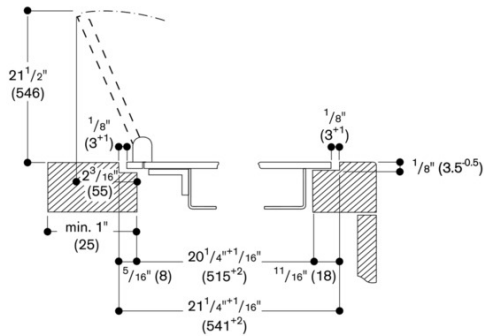


\* with appliance cover or alignment strap.  
 See separate planning notes

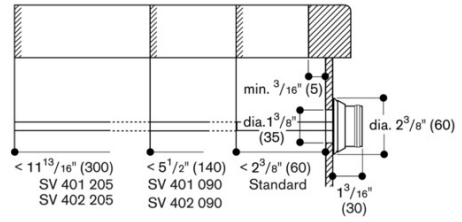
**Installation with appliance cover/adjustment strip;  
 surface installation**



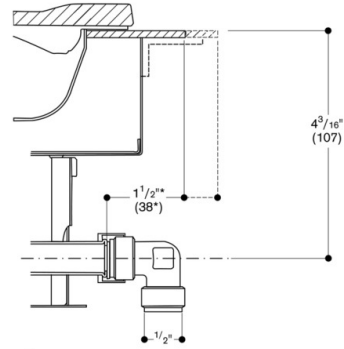
**Installation with appliance cover/adjustment strip;  
 Flush Installation**



**Possible axis extensions**



**Gas connection**



\* 2 1/16" (53 mm) with appliance cover  
 or adjustment strip.