



Color Variants
VG411210CA
Stainless steel
Width 12"

Optional accessories
VD400000
Stainless steel cover
WP400001
Wok pan made of multiple-layer material

VG411210CA
Vario gas wok 400 series
Stainless steel
Width 12"
Natural gas

- **Electronic flame monitoring**
(ionization principle) with automatic reignition.

Cooking zones

Features

Control knob with ring and output marking.
Electronic flame monitoring with automatic re-ignition.
One-handed operation.
All-gas valve with fine control.
Cast-iron pan support.
Brass burner rings.

Planning notes

Special nozzles can be ordered as spare parts.
The appliance is not operable without electrical connection.
Control knob to be integrated in the base cabinet at drawer level.
Air intake from above.
No intermediate shelf required.
The rear panel must consist of a non-flammable material. Wall trims must be resistant to heat.
If a cover is used, grates must be removed when closing the it. Order cover separately.
Operation next to a cooktop extractor VL 431/430 is not permitted.

Rating

Total rating gas : 32,000 BTU
Total electric rating 17.0 W.
Three-ring burner with 17,000 BTU
Automatic quick ignition.
Panel thickness 5/8" - 1".
The drawing "Installation of the control knob" must be observed, if the panel is more than 1" thick. There must be a recess at the rear for proper control module installation.
The minimum distance from the side of appliance edge to the wall or furnishing components must be at least 12".
Clamping range 1 13/16" - 2" cooktop fixings.
Connecting cable 55" with plug.
1 three-ring wok burner (300 W – 5000 W), suitable for pots up to max. ø 12 5/8".

Product Features

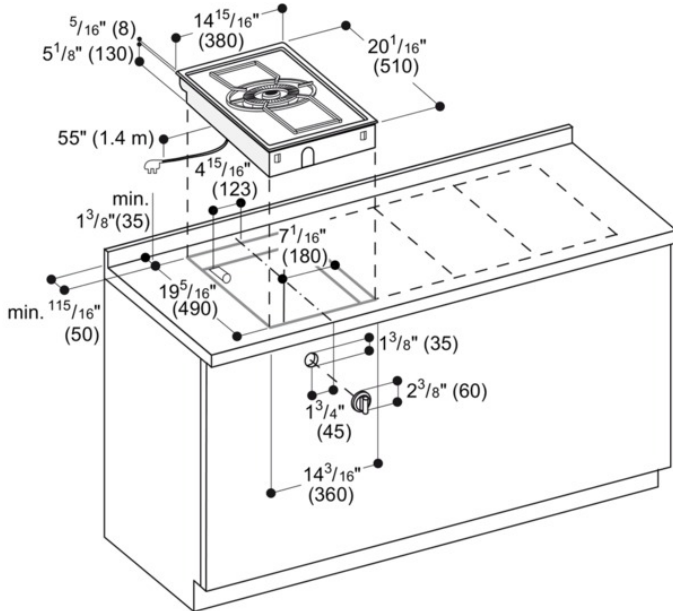
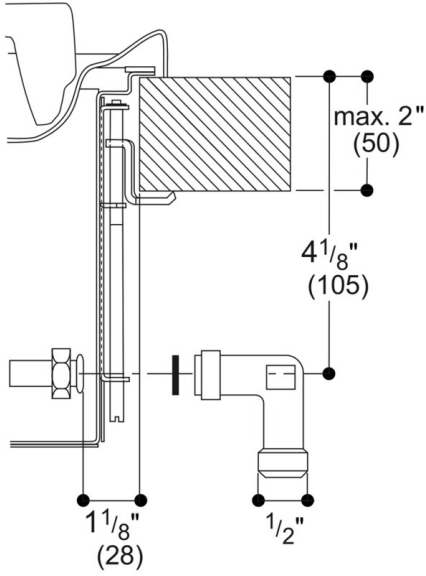
Product name / series name
Vario/Domino gas hob
Construction type
CONSTR_TYPE.Built-in
Energy source
Gas
Total number of cooktop burners
1
Type of control
Required cutout size (HxWxD) (mm)
140 x 360 x 490
Width of the product (mm)
380
Overall appliance dimensions (HxWxD) (mm)
138 x 380 x 510
Net weight (kg)
14.000
Gross weight (kg)
15.000
Residual heat indicator
without
Location of control panel
Basic surface material
brushed stainless steel
Color of surface
Stainless steel
Color of frame
Stainless steel
Approval certificates
AGA, CGA, CSA
Power cord length (cm)
140.0

Consumption and connection features

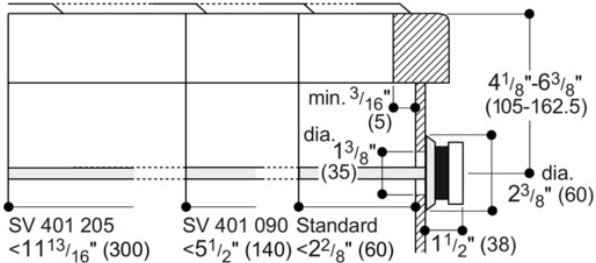
Watts (W)
17
Gas connection rating (W)
5000
Current (A)
Volts (V)
120
Frequency (Hz)
50; 60

2013-04-22
Page 1

Gas connection



Possible spindle extensions



Installation of the control knobs

