



Color Variants

RY491701
 fully integrated
 Niche width 24" (91.4 cm), Niche height 32" (213.4 cm)

Included accessories

1 x egg box with lid.
 1 x ice cube scoop.

Optional accessories

RA450000
 Mechanical particle filter
RA450010
 Activated charcoal filter for water filter system including saturation indicator

RY491701

Bottom freezer 400 series
 fully integrated
 Niche width 24" (91.4 cm), Niche height 32" (213.4 cm)
 Three-door bottom freezer with Multi-Flow Air system

- Stainless steel interior
- Generous lighting concept
- Solid aluminum door bins
- Integrated ice maker with fixed water connection
- One motorized glass shelf, adjustable when fully loaded
- Fully extendable freezer drawer with practical divider
- Energy Star® qualified

Operation

Electronic precision temperature control with digital temperature display.

Technical features

Dynamic cool air distribution.
 Automatic defrosting with defrost water evaporation.
 Activated charcoal air filter.
 Energy-saving vacation mode.
 Open-door and malfunction warning system.

Cooling compartment

Net volume 14.3 cu. ft
 No-frost technology with fast cooling.
 Temperature adjustable from 35 °F to 46 °F (+2 °C to +8 °C).
 Two safety glass shelves, one of which is motorized.
 One asymmetrically split safety glass shelf, manually adjustable.
 Three fully extendable drawers with transparent front, one of which is continuous.
 Bright interior lighting with two ceiling spotlights and two halogen light pillars on the side.
 Four height adjustable door bins, two of which are gallon door bins.
 Two door bins with transparent front flap.

Temperature control drawer

No-frost technology.
 One continuous, fully extendable temperature control drawer with transparent front.

Freezer compartment

Net volume 5.4 cu. ft.
 No-frost technology with fast freezing.
 Temperature adjustable from 7 °F to -9 °F (-14 °C to -25 °C).
 Two fully extendable drawers.
 Interior lighting with two spot lights.

Ice dispenser

Integrated automatic ice maker in the freezer compartment, with fixed water connection.
 Removable ice storage bin with approx. 3.3 lb (1.5 kg) capacity.
 Ice cube production approx. 3.1 lb (1.4 kg)/24 h.
 Ice maker can be switched off independently.

Consumption data

Energy consumption 1.227 kwh/24 h.

Planning notes

Flat hinge.
 Door opening angle of 115°, optional 90° door stop.
 Plan the power outlet and water connection behind the appliance per installation instructions.
 Water connections.
 Water pressure 29 to 116 psi.
 Connecting cable 78 3/4" with plug.

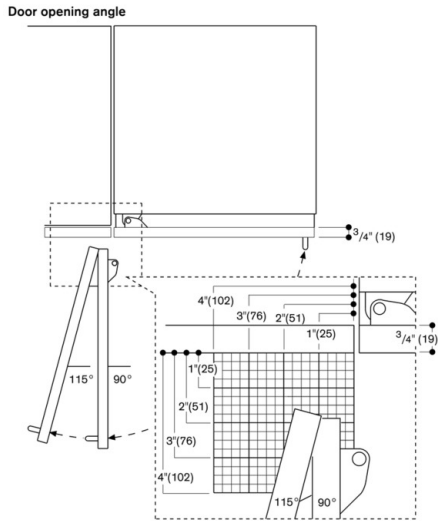
Product Features

Multi-Flow Air Tower
 Yes
Number of compressors
 2
Number of independent cooling systems
 2
Eco Mode
 Yes
SUPERFREEZE
 Yes
Number of Door Bins - Freezer
 Adjustable Door Bins - Freezer
 No
Tilt-Out Door Bins - Freezer
 No
Number of Shelves - Freezer
 Adjustable Door Bins - Freezer
 No
Shelf Material - Freezer
Door Hinge
 left and right
Reversible Door Hinge
 No

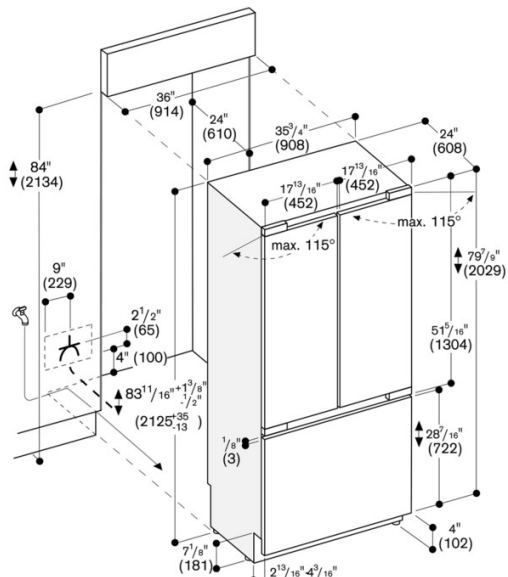
Consumption and connection features

UPC code
 825225866091
Variant color
Panel ready
Installation Type
 N/A
Silence level (dBA)
 41
Watts (W)
 588
Current (A)
 15
Volts (V)
 120
Frequency (Hz)
 60
Energy consumption (kWh/yr)
 447.86
Energy Star® qualified
 Yes
Approval certificates
 ETL, ETL C
Power cord length (in)
 78 3/4"
Plug type
 120V-3 prong
Appliance dimensions (h x w x d) inch
 83 3/4 " x 35 3/4" x 24"
Required cutout size (HxWxD) (in)
 84" x 36" x 24 3/4"
Appliance Width (in)
 35 3/4"
Height (in)
 83 3/4 "
Depth (in)
 24"
Product packaging dimensions (HxWxD) (in)
 88.97 x 39.37 x 29.52
Total unit gross capacity (cu. ft.) - AHAM
 20
Net weight (lbs)
 527
Gross weight (lbs)
 570
2013-04-22
 Page 1

Total Amps: 15 A



The space required for the hinge and the consequential distance to the adjacent unit and its handle can be seen in the above drawing, depending on the thickness. The drawing assumes a panel thickness of 19 mm.



The maximum door front measurements are designed for a gap measurement of 3 mm.

