



RW414760
Wine storage unit 400 series
fully integrated, with glass door
Niche width 24" (45.7 cm), Niche height 32" (213.4 cm)

- Two individual temperature zones, both continuously variable
- Consistant temperatures, adjustable from 40 °F to 64 °F (+5 °C to 18 °C)
- 70 bottle capacity
- Humidity control
- Stainless steel interior
- Fully extendable bottle trays in beech and aluminum
- Presentation light option
- low-vibration operation

Operation

Electronic precision temperature control with digital temperature display.

Technical features

Dynamic cool air distribution.
 Automatic defrosting with defrost water evaporation.
 Activated charcoal air filter.
 Energy-saving vacation mode.
 Open-door and malfunction warning system.

Features

Net volume 9.7 cu. ft. (275 liters)
 70 bottle capacity (based on 0.75 liter standard bottles).
 10 fully extendable bottle trays, up to four can store magnum bottles.
 Space for maximum 14 bottle trays or aluminum shelves
 Interior lighting with 3 ceiling spot lights, one of which can be used as a presentation light in the lower temperature zone.
 UV-protection.

Consumption data

Energy consumption 1 kwh/24 h.

Planning notes

Flat hinge.
 Door hinge right, reversible.
 Door opening angle of 115°, optional 90° door stop.
 Plan the power outlet and water connection behind the appliance per installation instructions.
 Connecting cable 78 3/4" with plug.
 Max. door panel weight 147 lb.

Rating

120 V / 60 Hz
 Total Amps: 15 A

Product Features

Number of temperature zones
1

Range of temperature (°C)
5-18

Eco Mode
Yes

Carbon Air Filter
No

Presenter Lighting
Yes

Presenter Shelf
Yes

Type of Glass Door
2 glass panels

Number of Adjustable Shelves
0

Number of shelves
10

Bottles per Shelf
5

Door Hinge
Right reversible

Shelf Material - Refrigerator
Reversible Door Hinge

Lighting
Halogen

Consumption and connection features

UPC code
825225848226

Color / Material housing
Colour.Material door

Panel ready
Not possible

Installation Type
N/A

Silence level (dBA)
43

Watts (W)
92

Current (A)
15

Volts (V)
120

Frequency (Hz)
60

Energy consumption per Year (kWh/a) winecooler
365.00

Approval certificates
ETL, ETL C

Power cord length (in)
78 3/4"

Plug type
120V-3 prong

Required cutout size (HxWxD) (in)
84" x 18" x 24 3/4"

Appliance Width (in)
17 3/4"

Height (in)
83 3/4 "

Depth (in)
24"

Capacity in 0.75l (bordeaux bottles)
70

Total unit gross capacity (cu. ft.) - AHAM

Product packaging dimensions (HxWxD) (in)
89.76 x 21.57 x 29.25

Net weight (lbs)
328

Gross weight (lbs)
359

2013-04-22
Page 1

Color Variants

RW414760
fully integrated, with glass door
Niche width 24" (45.7 cm), Niche height 32" (213.4 cm)

Optional accessories

RA491131
Fully extendable bottle tray in beech and aluminium

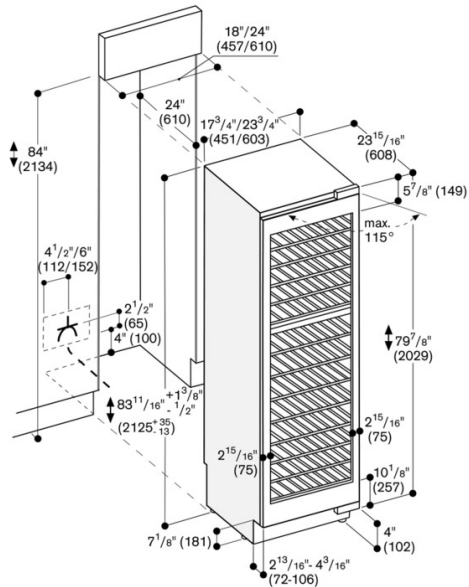
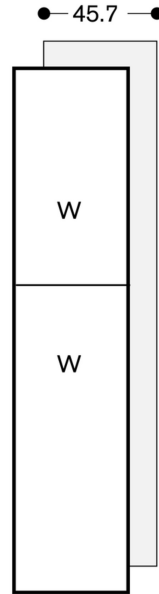
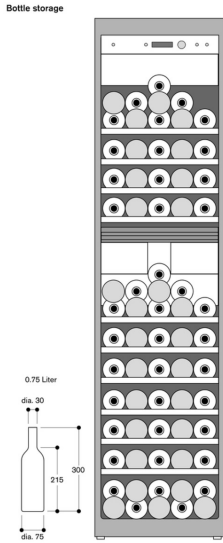
RA492130
Fully extendable shelves in aluminium

Product Variants

RW464760
Wine storage unit 400 series
Niche width 24" (61 cm), Niche height 32" (213.4 cm)
fully integrated, with glass door

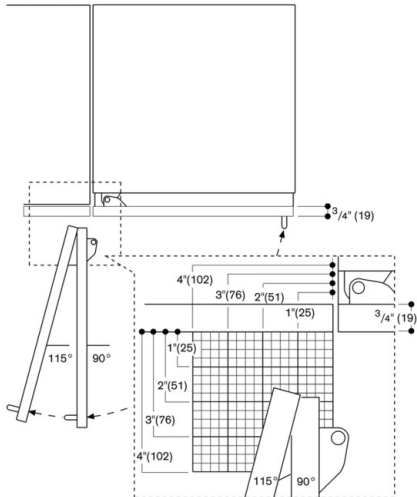
RW414760
 Wine storage unit 400 series
 fully integrated, with glass door
 Niche width 24" (45.7 cm), Niche height
 32" (213.4 cm)

2013-04-22
 Page 2



The maximum door front dimensions are designed for a gap dimension of 3 mm.

Door opening angle



The space required for the hinge and the consequential distance to the adjacent unit and its handle can be seen in the above drawing, depending on the thickness. The drawing assumes a panel thickness of 19 mm.