

Gaggenau

INSTALLATION INSTRUCTIONS
INSTRUCTIONS D'INSTALLATION
INSTRUCCIONES DE INSTALACIÓN

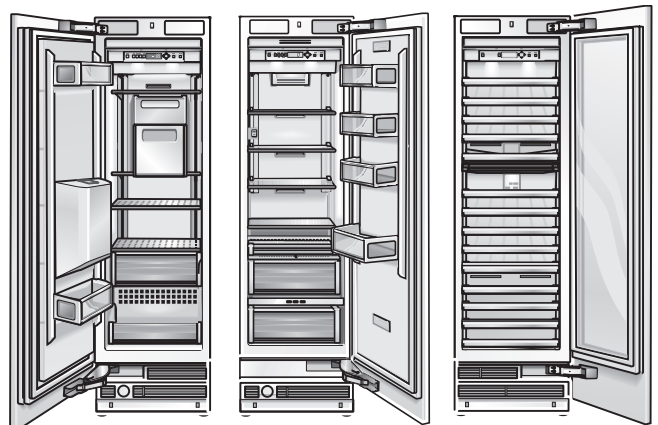
RC 462/472

RF 411/413

RF 461/463

RF 471

RW 414/464



INSTALLATION INSTRUCTIONS 4

INSTRUCTIONS D'INSTALLATION 44

INSTRUCCIONES DE INSTALACIÓN 88

Table of Contents

Before you Begin 6

Installation options 7

Individual unit 7

Side-by-Side 7

Individual appliances with partition 7

At the end of the kitchen units 7

Installation 8

Installation room 8

Installation cavity 8

Furniture/fixtures 8

Base 8

Connecting the power 9

Additional grounding procedure 9

Grounding instruction 9

Connecting the water 9

Installation dimensions 10

Single installation 10

Side-by-Side installation 11

Water connection 12

Appliance dimensions 13

18" Appliance (Freezer/Freezer with Ice and Water dispenser) 13

18" Appliance (Wine unit) 14

24" Appliance (Refrigerator/Freezer/Freezer with Ice and Water dispenser) 15

24" Appliance (Wine unit) 16

30" Appliance (Refrigerator/Freezer/Freezer with Ice and Water dispenser) 17

Required accessories and tools 18

Supplied accessories 18

Optional accessories 18

Other required accessories from specialist outlets 18

Tools 18

Other 18

Installation instructions 19

- A**
1. Checking the installation cavity 19
 2. Transport of the appliance 19
 3. Removing the packaging 20
 4. Installation preparation 20
 5. Changing over the door hinges 21
 6. Preparing the installation cavity 23
 7. Attaching an alternative anti-tip device 25
 8. Preparing to connect the water 25
 9. Attaching the edge protection 26
 10. Side-by-Side installation 26
 11. Pushing the appliance into the installation cavity 27

- B**
12. Installing and aligning the appliance 28
 13. Attaching the appliance to the top of the cavity 29
 14. Attaching the individual appliance to the side of the cavity 29
 15. Checking that the finger guard moves easily 30
 16. Connecting the water to the appliance 30

C	17. Attaching the toe kick panel	31
	18. Commissioning the Appliance	32
	19. Preparing the furniture doors	32
	20. Loading the appliance door	33
	21. Attaching the adjusting rail to the furniture door	34
	22. Attaching and aligning the furniture door	35
	23. Attaching the furniture door	36
	24. Attaching the lower bracket	37

D	25. Attaching the finger guard	38
	26. Attaching the covers	38
	27. Aligning the ice-water dispenser	40
	28. Attaching the cover strips	41
	29. Mounting of air separator	42
	30. Adjusting the door opening angle	42
	31. Changing the door spring	42

Before you Begin

Read these instructions completely and carefully.

WARNING

These appliances are top-heavy and must be secured to prevent the possibility of tipping forward. Anti-tip protection is required.

Keep doors closed until the appliance is completely installed and secured per installation instructions.

Due to the weight and size of this appliance, and to reduce the risk of personal injury or damage to the product – **TWO PEOPLE ARE REQUIRED FOR PROPER INSTALLATION.**

This appliance must be properly grounded. See the section on “Connecting the power” on page 9.

Use this appliance only for its intended purpose.

Immediately repair or replace electric service cords that become frayed or damaged.

Unplug the appliance or switch off the fuse before cleaning or making repairs.

Repairs should be made by a qualified service technician.

CAUTION

Skill – Level – Installation of this appliance requires basic mechanical, carpentry and plumbing skills.

Proper installation is the responsibility of the installer. Product failure due to improper installation is not covered under the Appliance Warranty.

See the Owner's Manual for warranty information.

IMPORTANT

Save these instructions for local inspector's use. Observe all governing codes and ordinances.



Note to Installer – Be sure to leave these instructions with the Consumer.



Note to Consumer – Keep these instructions with your Owner's Manual for future reference.

General

These installation instructions are intended for use by qualified installers. All connections for water, electrical power and grounding must comply with local codes and ordinances and be made by licensed personnel when required. In the absence of a local code:

- In the U.S.A., in accordance with the National Electric Code, ANSI/NFPA70 – latest edition/State and Municipal codes and/or local codes.
- In Canada, in accordance with the Canadian Electric Code C22.1 – latest edition/Provincial and Municipal codes and/or local codes.

 WARNING 
WARNING – This indicates that death or serious injuries may occur as a result of not observing this warning.

 CAUTION 
CAUTION – This indicates that minor or moderate injuries or damage may occur as a result of not observing this warning.

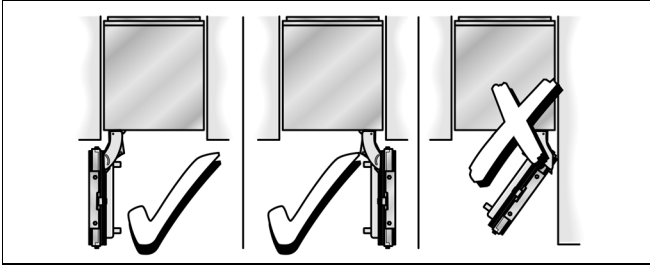
NOTE
IMPORTANT NOTE/NOTE – This is used to draw the user's attention to something in particular.

Installation options

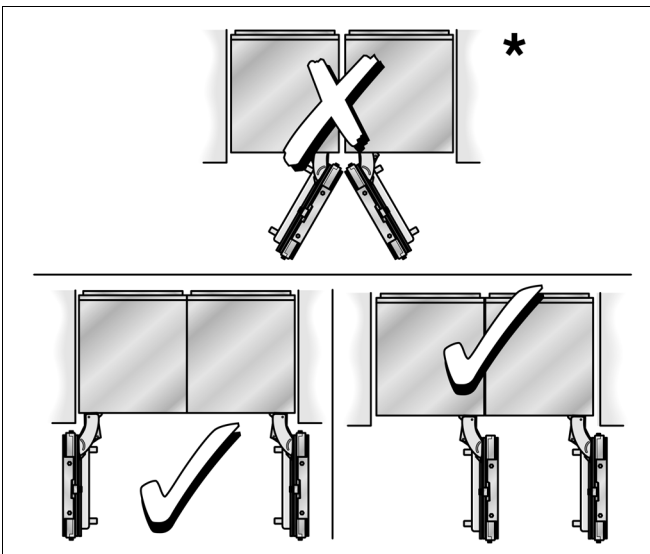
There are many different installation options.

These are limited only by the design of the kitchen and the function of the finger guard.

Individual unit



Side-by-Side

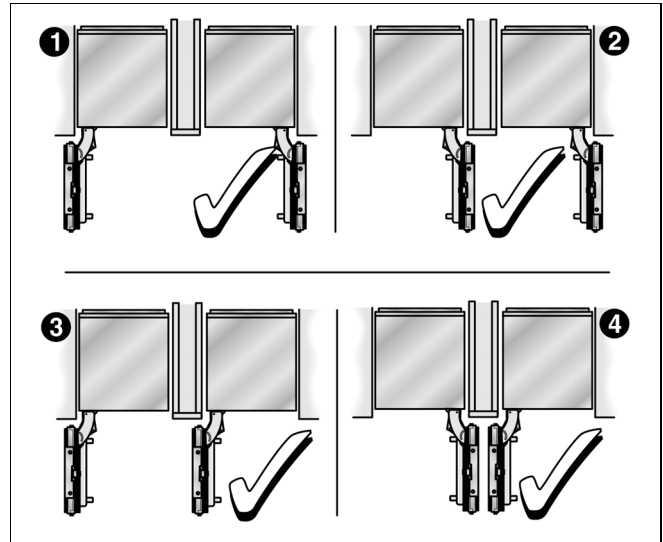


* Partition required!

When 2 appliances are installed Side-by-Side, the Basic Combination Side-by-Side Sealing kit must be used to ensure a stable connection.

See the section on "Optional accessories" on page 18.

Individual appliances with partition



- When dimensioning the partition for model 4, note the thickness of the furniture fronts to prevent damage if the doors are opened at the same time.
 - Use the Extreme Combination Side-by-Side Heating kit if the gap between the appliances is less than 6" (160 mm).
- See the section on "Optional accessories" on page 18.
- Minimum thickness of the partition $\frac{5}{8}$ " (16 mm).

At the end of the kitchen units

If one side of the appliance is visible, a side panel must be used.

The side panel must be connected firmly to the wall, the floor and overhead furniture/fixtures before the appliance is placed in the cavity.

The dimensions of the side panel are taken from the opposite cavity wall. During installation ensure that the cavity is square and the exact size.

Installation



WARNING



Do not install the appliance:

- outdoors,
- in an environment with dripping water,
- in rooms which are at risk of frost.

Appliance is very heavy – for empty weight see the following table:

Refrigerator 24"	approx. 310 lbs/140 kg
Refrigerator 30"	approx. 350 lbs/158 kg
Freezer 18"	approx. 255 lbs/115 kg*
Freezer 24"	approx. 300 lbs/135 kg*
Freezer 30"	approx. 335 lbs/150 kg*
Wine unit 18"	approx. 300 lbs/135 kg
Wine unit 24"	approx. 360 lbs/160 kg

(* without Water Dispenser)

Installation room

The appliance should be installed in a dry, ventilated room.

The ambient temperature should not drop below 55 °F (13 °C) or rise above 110 °F (43 °C), otherwise malfunctions may occur.

The installation location should not be exposed to direct sunlight and not placed near a heat source, such as an oven, radiator, etc. If installation next to a heat source is unavoidable, use a suitable insulating plate or observe the following minimum distances from the heat source:

- 1¹/₄" (30 mm) to electric or gas cookers,
- 12" (300 mm) to an oil-fired or solid-fuel cooker.

Installation cavity

It is important to observe the specified dimensions of the installation cavity for a trouble-free installation of the appliance and for the subsequent general view of the furniture front.

In particular ensure that the cavity is square.

Squareness can be checked by suitable means, e.g. spirit level, diagonal measurements, etc

The minimum thickness of side walls and the top wall must be ⁵/₈" (16 mm).

The minimum thickness of toe kick panel must be ¹/₂" (13 mm).
A thickness of ³/₄" (19 mm) is recommended.

Furniture/fixtures

The new appliance is screwed securely to adjacent and overhead furniture/fixtures.

For this reason it is essential that all attachable furniture/fixtures are connected securely to the base or the wall by suitable means.

Base



WARNING



A fully-load appliance is very heavy – for the load-bearing capacity at least see the following table:

Refrigerator 24"	approx. 890 lbs/400 kg
Refrigerator 30"	approx. 1110 lbs/500 kg
Freezer 18"	approx. 560 lbs/250 kg*
Freezer 24"	approx. 780 lbs/350 kg*
Freezer 30"	approx. 950 lbs/425 kg*
Wine unit 18"	approx. 550 lbs/245 kg
Wine unit 24"	approx. 694 lbs/310 kg

(* without Water Dispenser)

To ensure that the appliance is installed securely and functions properly, the base must be flat and level.

The base must be made of a hard, rigid material.

The installation area must be the same height as the rest of the room.

On account of the heavy weight of a fully loaded appliance, a load-bearing base is required. If in doubt, contact an architect or a building expert.

Connecting the power

⚠ WARNING ⚠	
Electrical Shock Hazard	
<ul style="list-style-type: none"> – Plug into a grounded 3 prong outlet. – Do not remove ground prong. – Do not use an adapter. – Do not use an extension cord. 	
Failure to follow these instructions can result in death, fire, or electrical shock.	

The appliance comes with a 3-wire power supply cord, UL listed in the USA.

The appliance requires a 3-wire receptacle.

The receptacle must be installed by a licensed electrician only.

The socket must be fused with a 10 to 16 A fuse. Please observe in this coherence the following table:

Appliance	MAX load at one time
Refrigerator 24"	2.0 Ampere
Refrigerator 30"	2.0 Ampere
Freezer 18" (incl. IceMaker)	3.5 Ampere
Freezer 24" (incl. IceMaker)	4.0 Ampere
Freezer 30" (incl. IceMaker)	4.5 Ampere
Wine unit 18"	2.0 Ampere
Wine unit 24"	2.0 Ampere

Orient ground prong to the bottom as shown in the pictures.

For the installation position of the receptacle see "Installation dimensions", page 10.

Additional grounding procedure

Some local regulations may require a separate ground. In such cases, the required accessory ground wire, clamp and screw must be purchased separately.

Never ground the appliance to plastic plumbing lines, gas lines or water pipes.

Grounding instruction

This appliance must be grounded. In the event of a malfunction or breakdown, grounding will reduce the risk of electric shock by providing a path of least resistance for the electric current

⚠ WARNING ⚠	
Improper connection of the equipment grounding conductor may result in electric shock. Have the appliance checked by a qualified electrician or service technician if you are in doubt as to whether the appliance has been properly grounded.	

Connecting the water

⚠ CAUTION ⚠	
Only connect the appliance to drinking water!	

A cold water connection is required for operation of the automatic ice maker. The water pressure must be between 25 and 120 p.s.i. (1.72–8.25 bar). The installation must comply with local plumbing regulations.

A separate shut-off valve must be installed for the appliance water connection.

The shut-off valve for the water connection must not be behind the appliance. It is recommended to place the shut-off valve directly next to the appliance (base unit) or in another easily accessible location.

When installing the water connection, observe the permitted installation areas for the pipe. For the permitted installation areas and dimensions see "Installation dimensions", page 10.

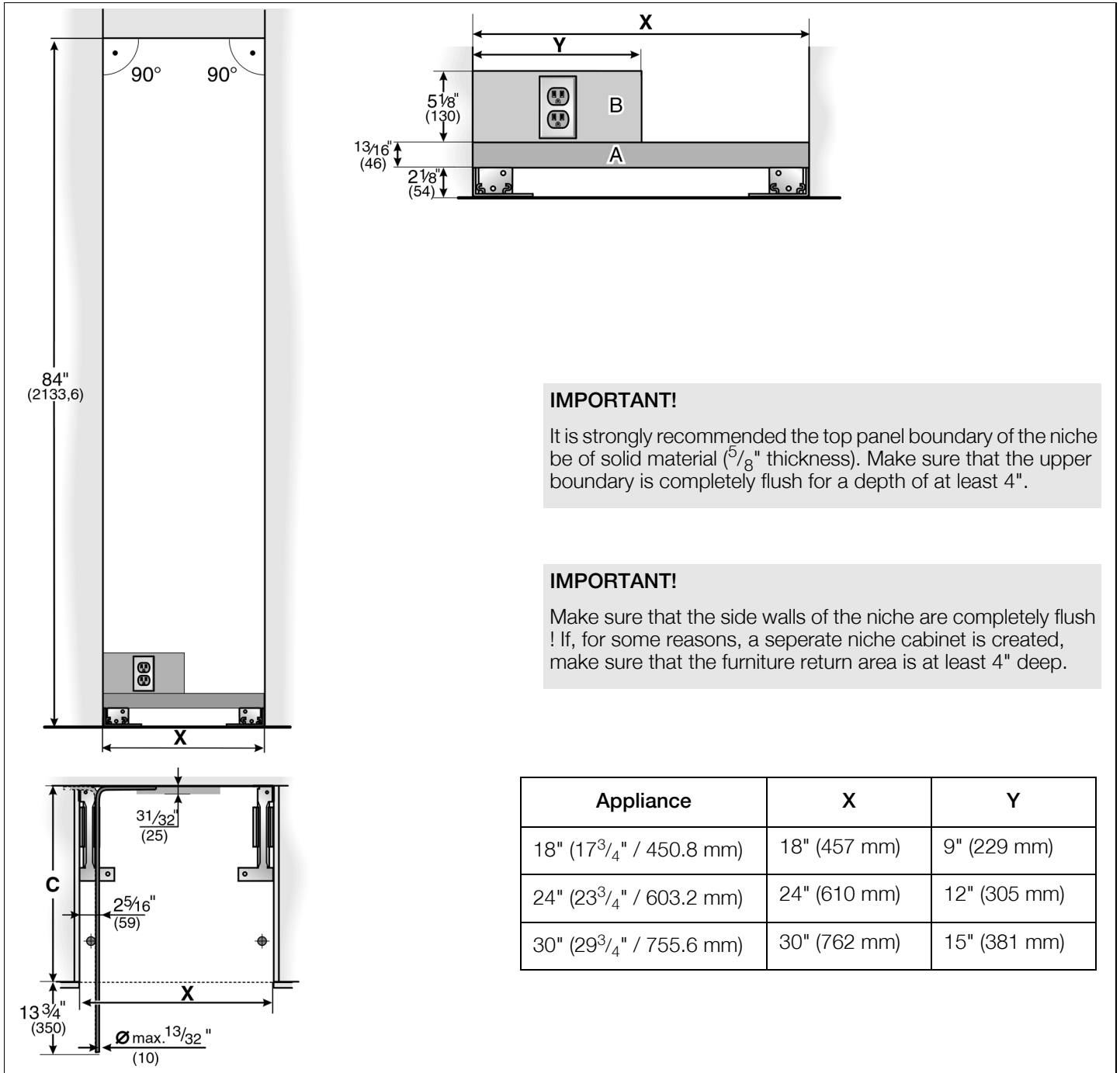
The supply pipe can be located at the side on the right (a), at the side on the left (b) or underneath (c).

Maximum outer diameter of the water pipe (without fittings): $1\frac{3}{32}$ " (10 mm).

Attach a separate shut-off valve for the water connection in a suitable, easily accessible location. Do not use a self-piercing valve!

Installation dimensions

Single installation



Legend:

A Area for installation of the water connection
It is recommended the water-box be placed adjacent to the installation cavity, so that it can be accessed for service without uninstalling the appliance. If this is not possible, place the recessed water box adjacent to the power supply socket elevated at the heights as referenced in areas A+B.

B Area for installation of the power connection
C Opening depth of niche, depending on kitchen design
C = 24" (610 mm) minimum

NOTE:

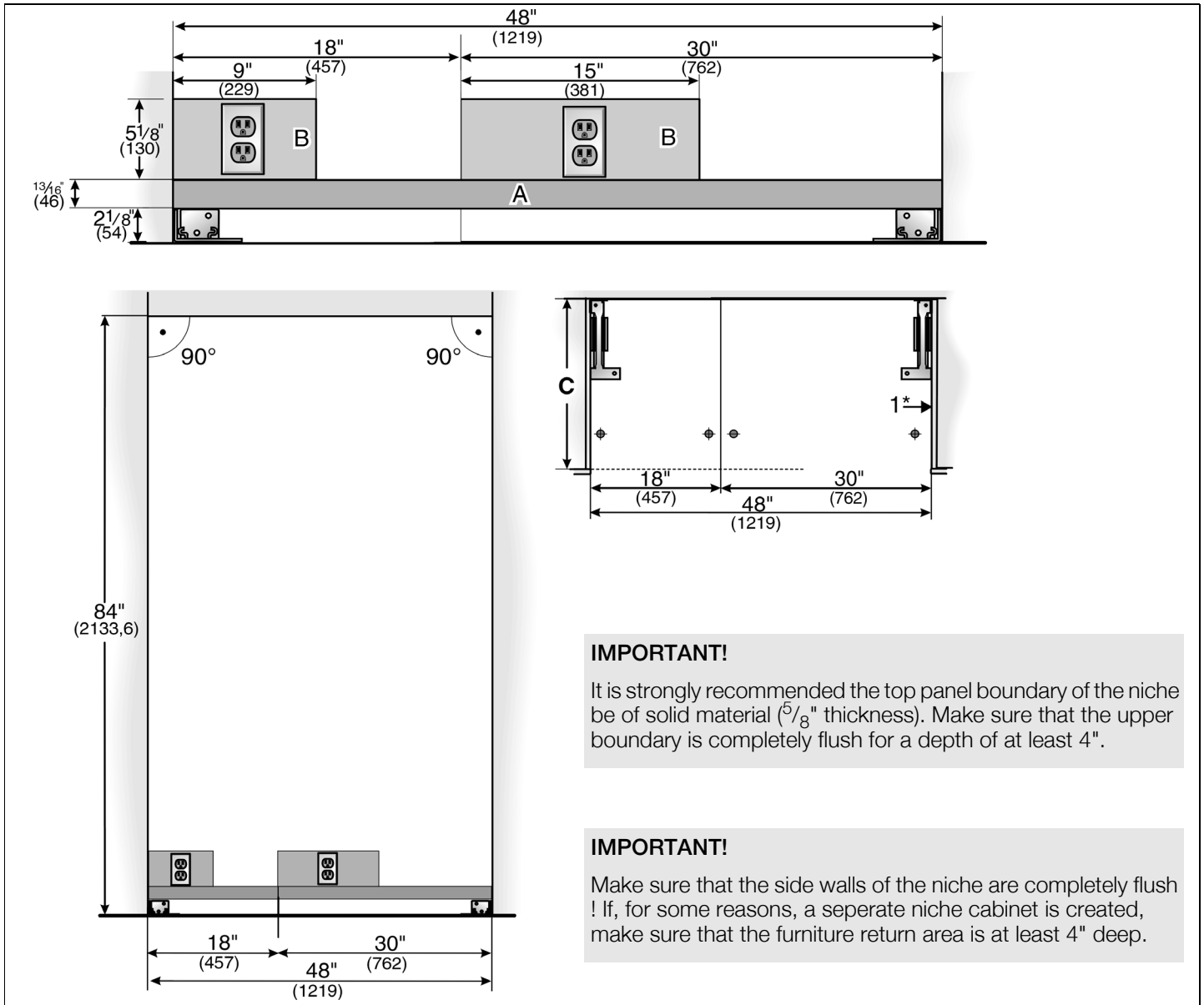
Cavity must be square. Side wall of the cavity must be flush.

Side-by-Side installation

The cavity dimensions indicated above for the respective appliance apply to a Side-by-Side installation of two appliances.

The total width of the cavity results from the addition of the cavity widths indicated for the two appliances.

Example:
Freezer 18"/Refrigerator 30"



IMPORTANT!

It is strongly recommended the top panel boundary of the niche be of solid material ($\frac{5}{8}$ " thickness). Make sure that the upper boundary is completely flush for a depth of at least 4".

IMPORTANT!

Make sure that the side walls of the niche are completely flush! If, for some reasons, a separate niche cabinet is created, make sure that the furniture return area is at least 4" deep.

Legend:

A Area for installation of the water connection

It is recommended the water-box be placed adjacent to the installation cavity, so that it can be accessed for service without uninstalling the appliance. If this is not possible, place the recessed water box adjacent to the power supply socket elevated at the heights as referenced in areas A+B.

B Area for installation of the power connection

C Opening depth of niche, depending on kitchen design

C = 24" (610 mm) minimum

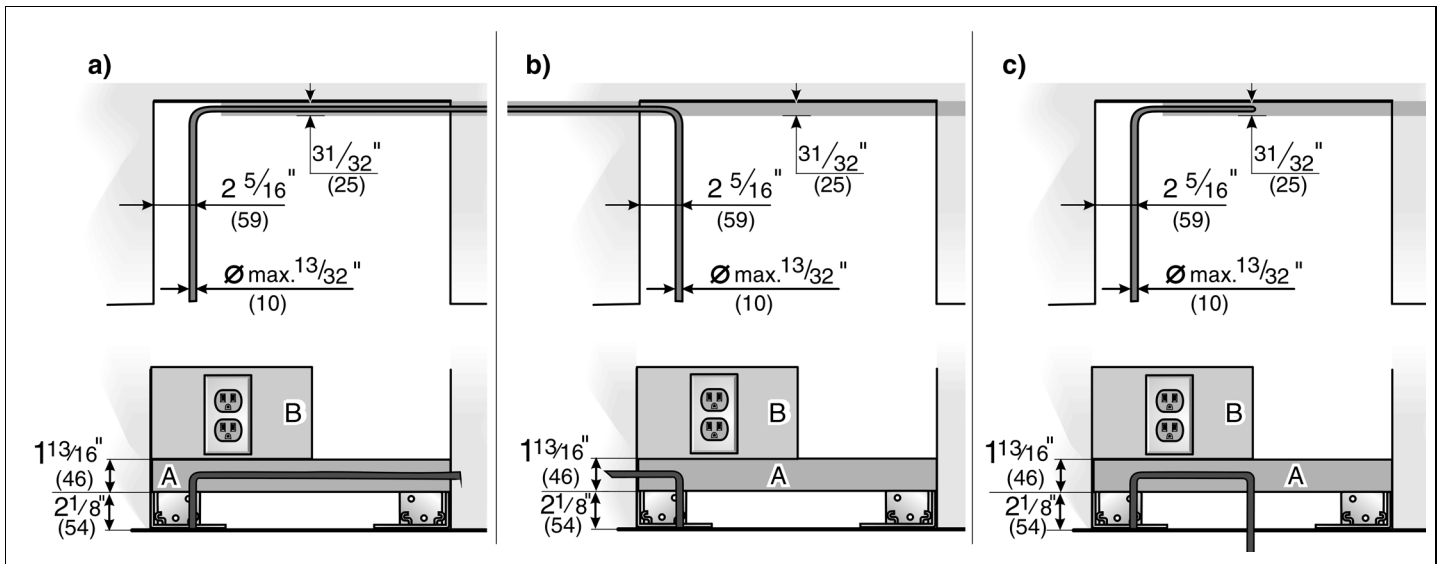
NOTE:

Cavity must be square. Side wall of the cavity must be flush.

Water connection

The supply pipe can be located

- a) at the side on the right,
 - b) at the side on the left
- or
- c) underneath.

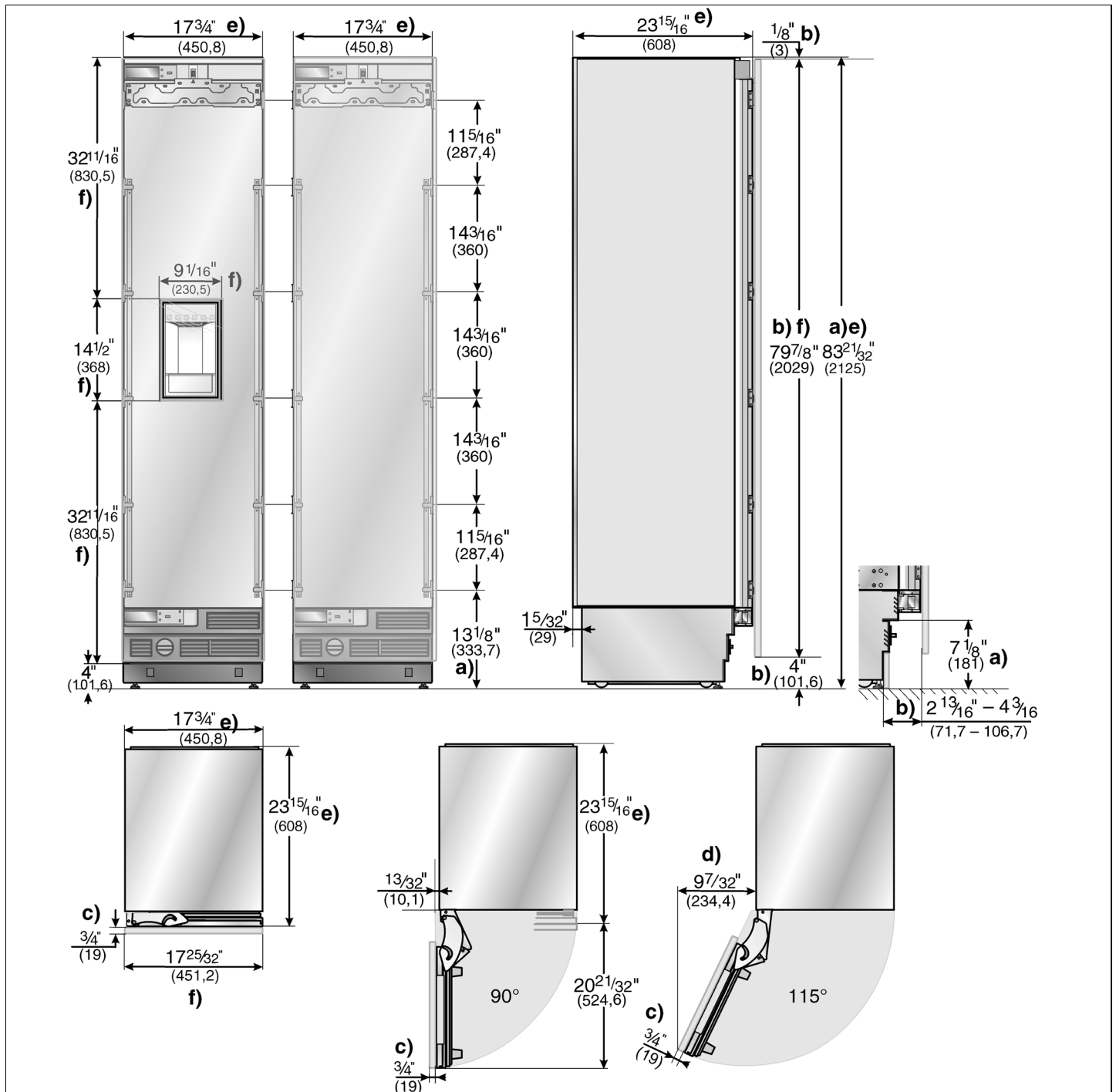


Legend:

- A Area for installation of the water connection
- B Area for installation of the power connection

Appliance dimensions

18" Appliance (Freezer/Freezer with Ice and Water dispenser)



Legend:

- a) Adjustment in levelling legs $+1\frac{3}{8}$ " (35 mm) / $-1\frac{1}{2}$ " (13 mm).
- b) Dimensions may vary.
- c) Thickness of door panel may vary.

d) This dimension may vary depending on installation, panel thickness and kitchen hardware.

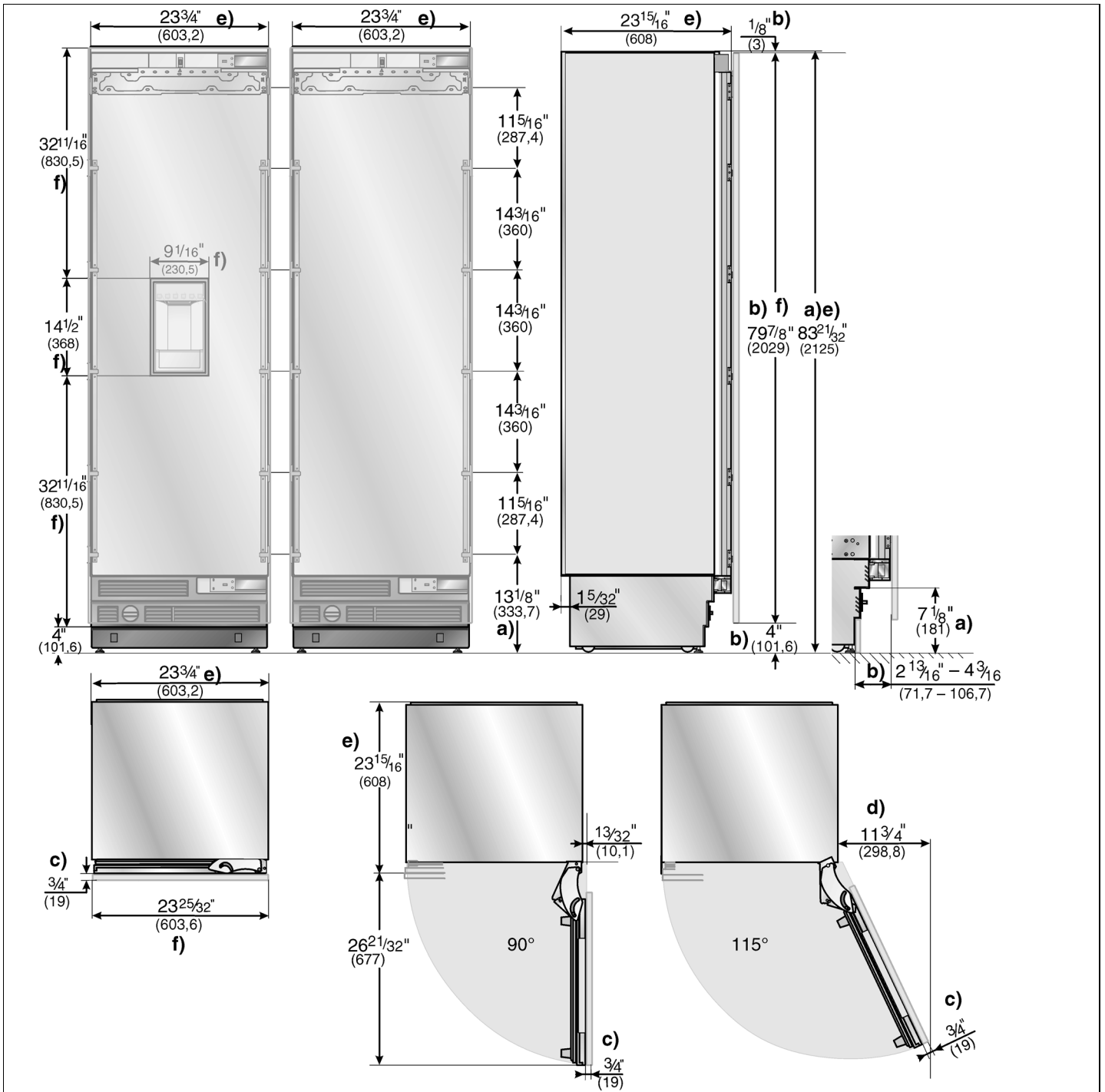
e) Unit dimensions

f) Wooden door panel dimension

Note:

One design of the wooden panel displayed.

24" Appliance (Refrigerator/Freezer/Freezer with Ice and Water dispenser)



Legend:

- a) Adjustment in levelling legs $+1\frac{3}{8}"$ (35 mm) / $-1\frac{1}{2}"$ (13 mm).
- b) Dimensions may vary.
- c) Thickness of door panel may vary.

d) This dimension may vary depending on installation, panel thickness and kitchen hardware.

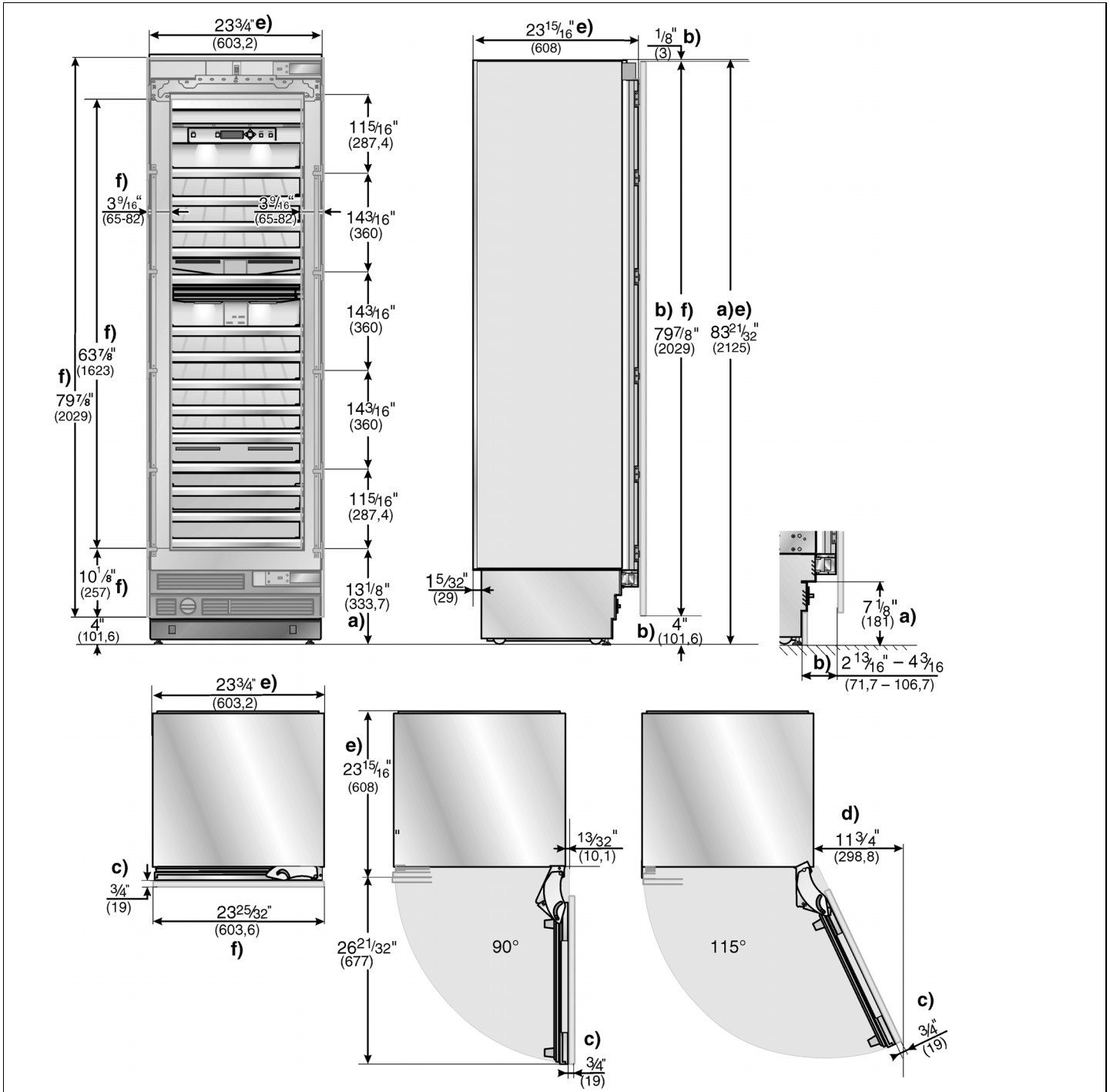
e) Unit dimensions

f) Wooden door panel dimension

Note:

One design of the wooden panel displayed.

24" Appliance (Wine unit)



Legend:

- a) Adjustment in levelling legs $+1\frac{3}{8}"$ (35 mm) / $-1\frac{1}{2}"$ (13 mm).
- b) Dimensions may vary.
- c) Thickness of door panel may vary.

d) This dimension may vary depending on installation, panel thickness and kitchen hardware.

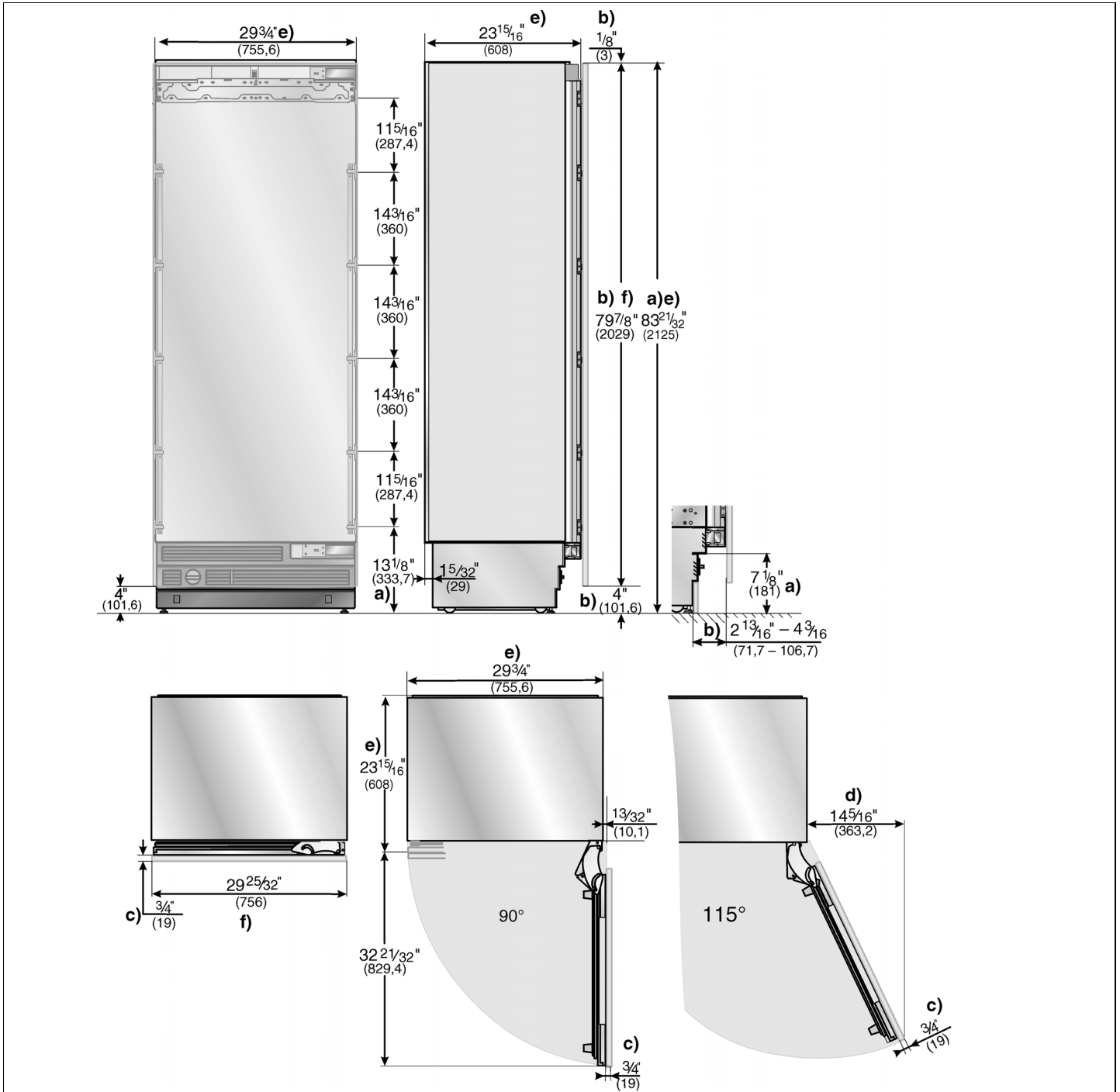
e) Unit dimensions

f) Wooden door panel dimension

Note:

One design of the wooden panel displayed.

30" Appliance (Refrigerator/Freezer/Freezer with Ice and Water dispenser)



Legend:

- a) Adjustment in levelling legs $+1\frac{3}{8}''$ (35 mm) / $-1\frac{1}{2}''$ (13 mm).
- b) Dimensions may vary.
- c) Thickness of door panel may vary.

d) This dimension may vary depending on installation, panel thickness and kitchen hardware.

- e) Unit dimensions
- f) Wooden door panel dimension

Note:

One design of the wooden panel displayed.

Required accessories and tools

Supplied accessories

- Installation instructions
- Operating instructions
- Installation kit

Optional accessories

Basic Combination Side-by-Side Sealing kit

For permanent connection of two individual appliances, e. g. Freezer next to Refrigerator.

Extreme Combination Side-by-Side Heating kit

If the gap between the appliances is less than 6" (160 mm).

Panel unification part (Metal strip)

For connection of two furniture doors. Can be used for standard height furniture doors without further preliminary work.

Other required accessories from specialist outlets

Ice maker installation kit 1/4" OD copper line

For connecting appliances which require water, e.g. for an ice maker.

Maximum outer diameter of the water pipe (without fittings): 13/32" (10 mm).

Tools

- Cordless screwdriver T20
- Torx screwdriver T20
- Torx bit T20 + magnetic holder
- 5/16" (8 mm) hex nut driver
- Wood drills in different sizes
- Open end wrench 1/2" (SW 13 mm)

- Multigrip pliers
- Adjustable wrench
- Cutter with adjustable blade
- Metal tape measure
- Square
- Spirit level length 2' (60 cm) and 4' (1.2 m)
- Marking-out level, length at least 4' (1.2 m) for individual appliances or 7' (2.0 m) for Side-by-Side installation

Other

- Stepladder
- Dolly, hand truck
- Hammer drill for drilling holes in wall or floor
- Bits according suitable for material and in different sizes
- Wooden beam (cross section min. 3" x 4") as an alternative tilt protection, length according to the width of the installation cavity
- Wooden screws in different sizes
- Thin (max. 1/16" (1.5 mm)), suitable material to protect the floor from damage (e. g. lino)
- Suitable material for covering and protecting furniture (e.g. protective sheets)
- Adhesive tape

NOTE

Before using, check whether the removed adhesive tape leaves adhesive residue on the work surfaces! Otherwise do not use on high-quality work surfaces.

Installation instructions

The following installation instructions describe the installation steps for various appliance types:

- Refrigerator units
- Freezer units
- Freezer units with ice maker
- Freezer units with ice-water dispenser
- Wine storage units

Therefore the diagrams may not be a true representation of your appliance.

Particular reference is made to special installation steps for individual appliance types.

1. Checking the installation cavity

	CAUTION	
To ensure a safe, trouble-free installation and an optimum overall view of the subsequent furniture front, thoroughly check that the installation cavity complies with the installation requirements.		

Before starting the installation, check that the installation cavity complies with all requirements for a safe and trouble-free installation.

- Check the base.

Follow the instructions in the section on “Installation location” on page 7.
- Check the dimensions of the cavity.
- Check that the cavity is square.
- Check location of the socket.

Also follow the instructions in the section on “Connecting the power” on page 8 and in the section on “Installation dimensions” on page 9.
- Check location of the water connection (only for appliances with ice maker).

Also follow the instructions in the the section on “Connecting the water” on page 8.
- Check attachment of the adjacent furniture/fixtures. All furniture parts in the vicinity of the appliance must be connected securely to the wall.
- Check that adjacent furniture/fixtures do not collide (door opening angle).

2. Transport of the appliance

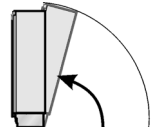

	WARNING	
The appliance is very heavy. Be careful, otherwise people who are helping may be injured or the appliance may be damaged.		

- Transport the appliance to a suitable installation location with suitable means of transportation (trolley, lifting truck or hand-driven truck).
- Secure the appliance during transportation to prevent it from overturning.

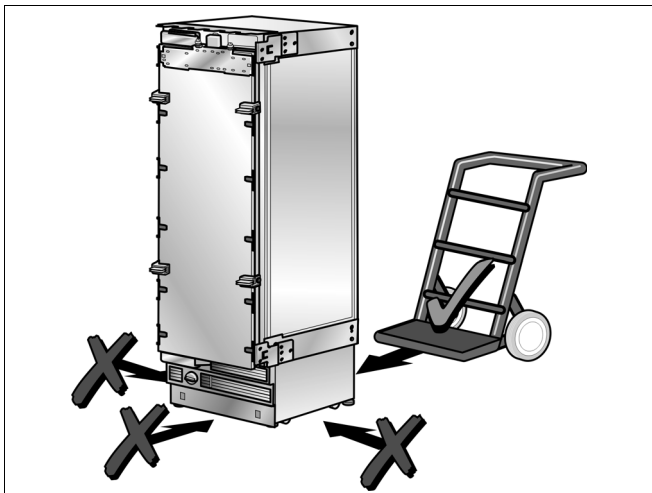
The appliance is 83²¹/₃₂" (2125 mm) tall. If the appliance cannot be transported in an upright position due to the structural conditions, the appliance can be transported horizontally.

	CAUTION	
Do not erect the appliance via the side panels. Risk of damage to the appliance!		

When erecting the appliance, observe the required minimum height at the installation location according to the following table:

Erection via appliance rear	Erection via appliance side panel
	
Minimum height 86"/2185 mm	Do not erect the appliance via the side panels!

	CAUTION	
Always place the means of transport centrally on the rear side of the appliance. Never push it in from the front or from the side under the appliance. Risk of damage to the appliance!		



- Move the appliance with a hand truck securely.

3. Removing the packaging

⚠ WARNING ⚠
<ul style="list-style-type: none"> – The appliance may tip over while it is being unpacked. – The appliance is very heavy. – When opening the appliance door, the appliance may tip forwards. <p>Be careful, otherwise people who are helping may be injured or the appliance may be damaged</p>

To protect the base from damage during installation:

- Attach a residual piece of carpet, lino, etc. to the floor with adhesive tape in front of the intended installation location.
- Remove transportation packaging:
 - Remove the carton. Use the cutter securely to protect the surface of appliance.
 - Remove packaging material.
 - Attach the power cord to the back of the appliance with a piece of adhesive tape.
 - Remove transportation protection devices and lift appliance off the pallet – appliance is very heavy!

- Remove accessories from the outside of the appliance.
- Keep adhesive tape which was used to attach the supplied accessories to the appliance. It is used subsequently for attaching the edge protection to the cavity walls (see Section 9.).
- Carefully open the appliance – risk of tipping over – and remove accessories and installation materials from inside the appliance. Close the door again.

⚠ CAUTION ⚠
<p>Do not remove transportation safety devices which protect the shelves and storage compartments inside the appliance until the installation is complete, otherwise the parts may be damaged.</p>

- Check appliance for damage in transit.

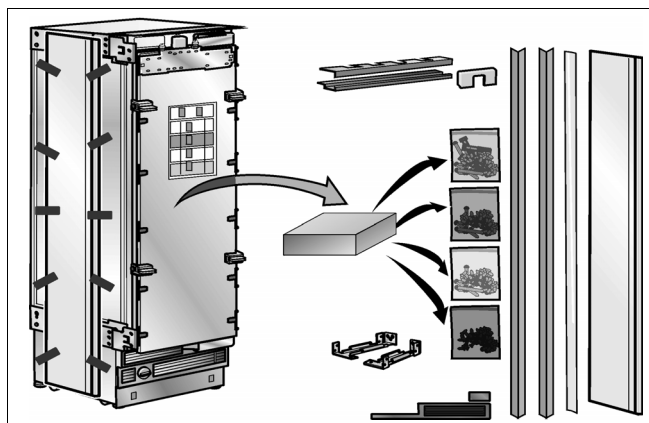
Do not install the appliance if it is visibly damaged. If in doubt, contact your dealer.

4. Installation preparation

Unpack installation materials and accessories.

To improve allocation to the work steps, the packages are identified differently.

To do this, comply with the overview sheet attached to the appliance!



5. Changing over the door hinges



WARNING



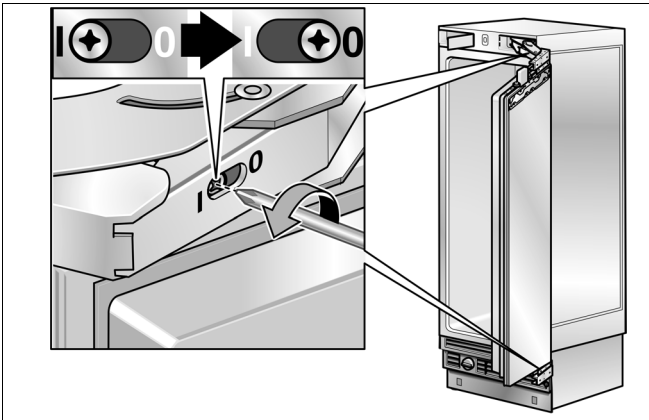
Before working on the hinge, release the spring.

Risk of injury!

NOTE

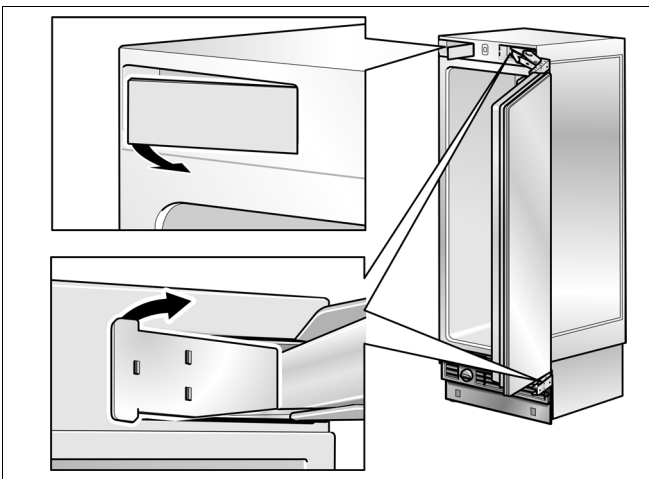
- If it is not necessary to change over the door hinges, continue with the next installation step.
- The door hinges cannot be exchanged in the case of freezers with ice and water dispensers.

Release the spring

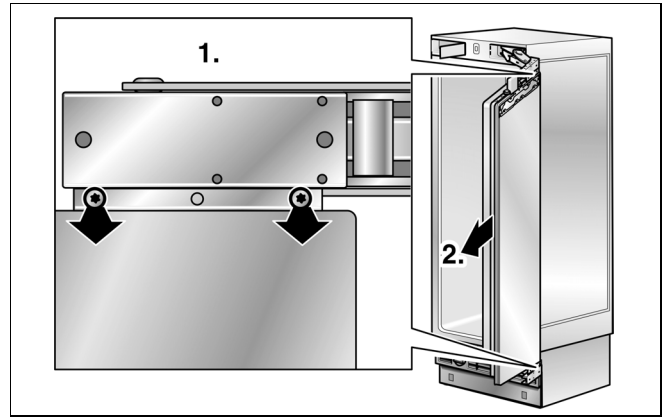


- Release the spring on the hinge. Loosen the screw from I to 0.

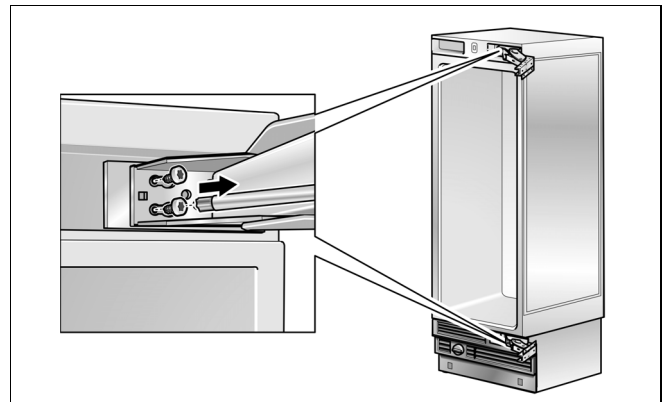
Exchanging the door hinges



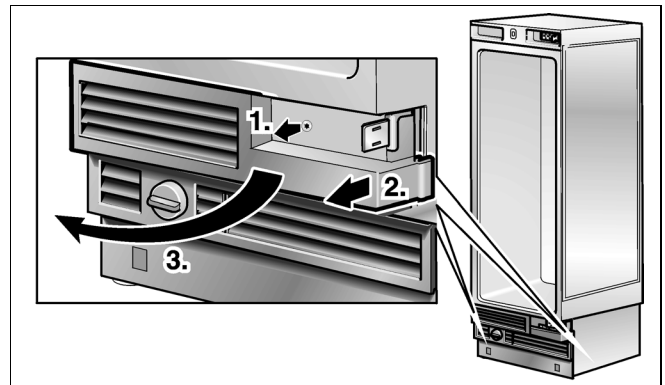
- Remove the hinge box covers.



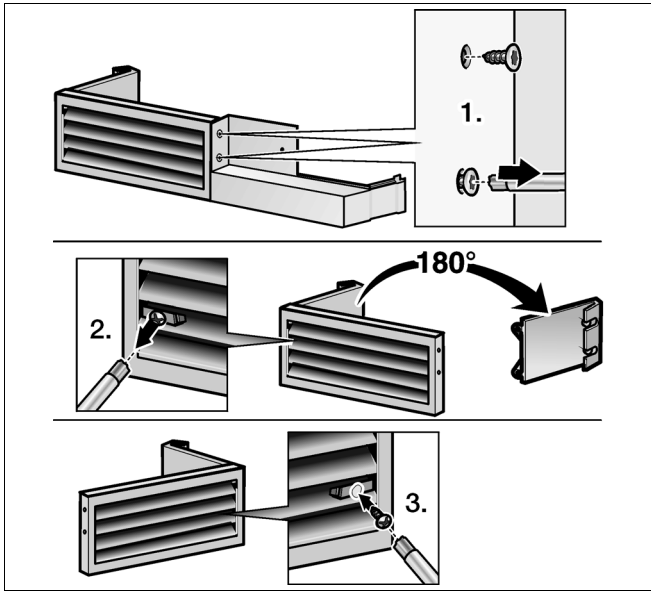
- Unscrew the door.



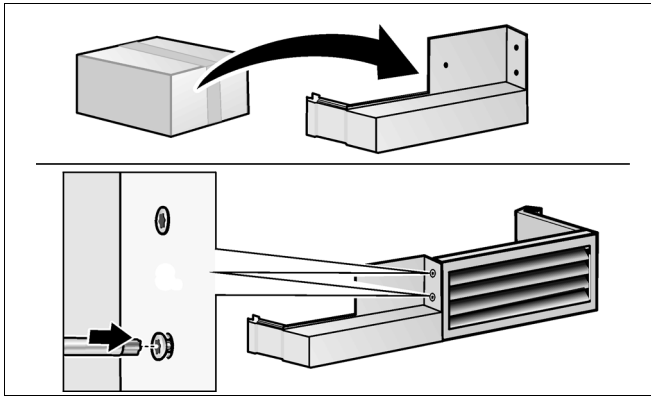
- Remove the hinges.



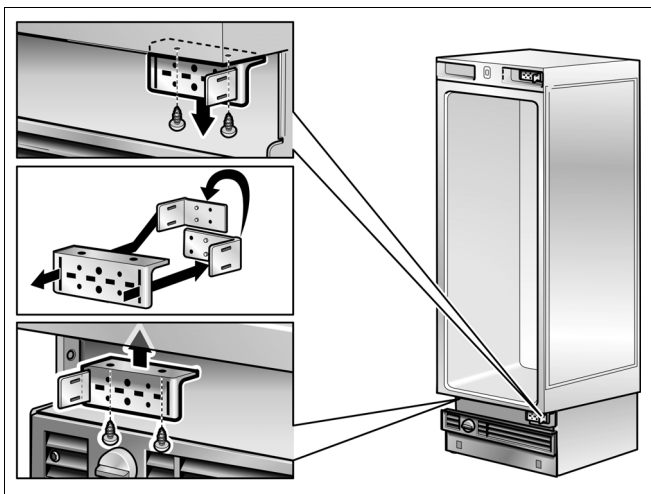
- Remove the ventilation grille.



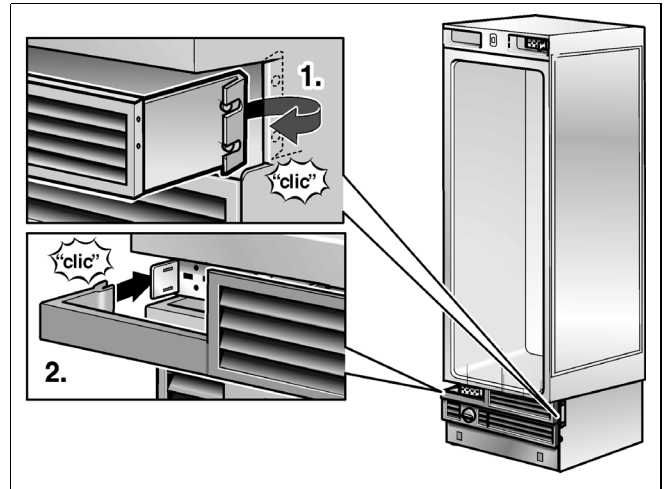
- Mount new the ventilation grill.



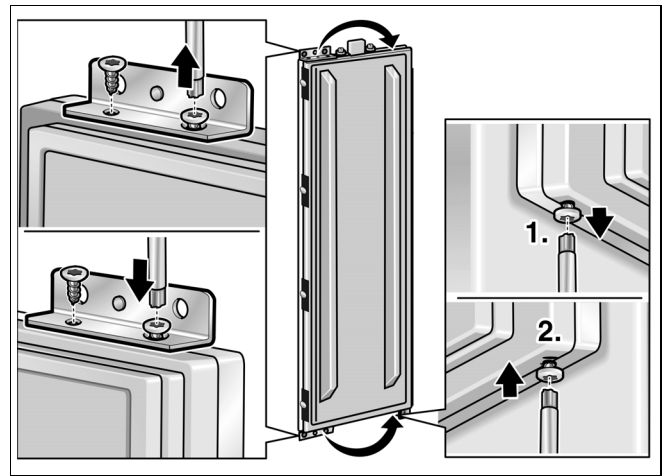
A replacement part for the ventilation grille to adapt to the modified door hinge is included in the installation materials and accessories.



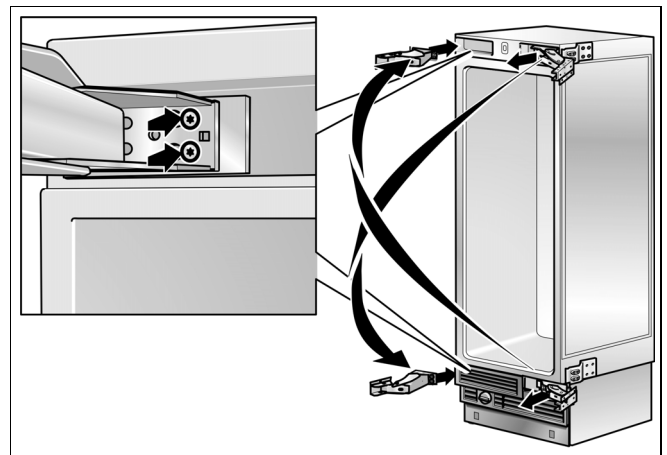
- Change over the hinge angle.



- Attach the ventilation grill



- Change over the fixation parts on the door.



- Fix the hinges on the appliance. Change the hinges crosswise!

6. Preparing the installation cavity



WARNING



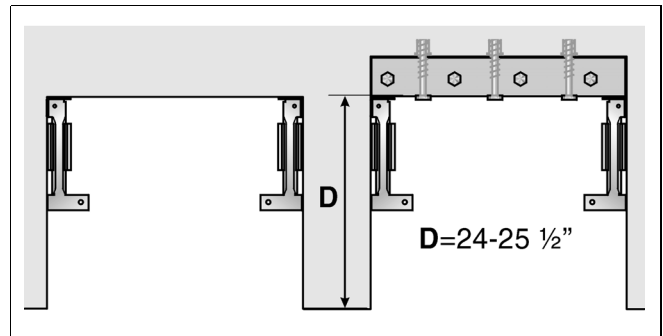
Assure that there are no electrical wires or plumbing in the area which the screws could penetrate.

Risk of injury and damage!

NOTE

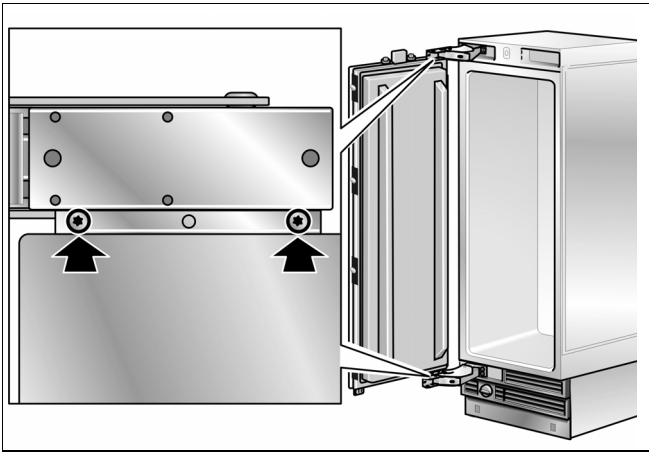
- 2 anti-tip-brackets are required for each appliance or appliance combination (Side-by-Side).
- If possible, always screw the wooden beam to existing studs on the rear panel of the cavity.
- In some installations the sub-flooring or finished floor may necessitate angling the wood screws used to fasten the anti-tip-brackets to the back wall.
- The supplied set contains fastening screws for various applications. Select the fastening screws according to the local conditions.
- If the supplied fastening screws do not permit secure attachment of the anti-tip brackets and therefore the appliance must be used to attach the anti-tip brackets securely.

- Specify the attachment points of the anti-tip-brackets.
Specify the detailed dimensions according to the section on “Installation dimensions” starting on page 9.

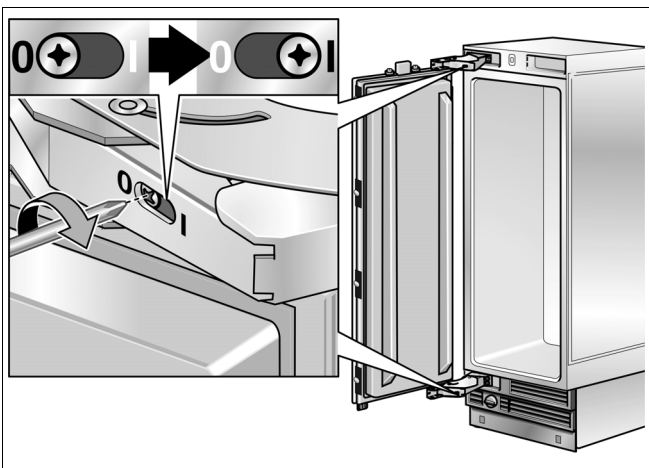


- If the installation cavity is deeper than the appliance, place a solid wooden beam behind the anti-tip-brackets and attach securely to the base or the wall.

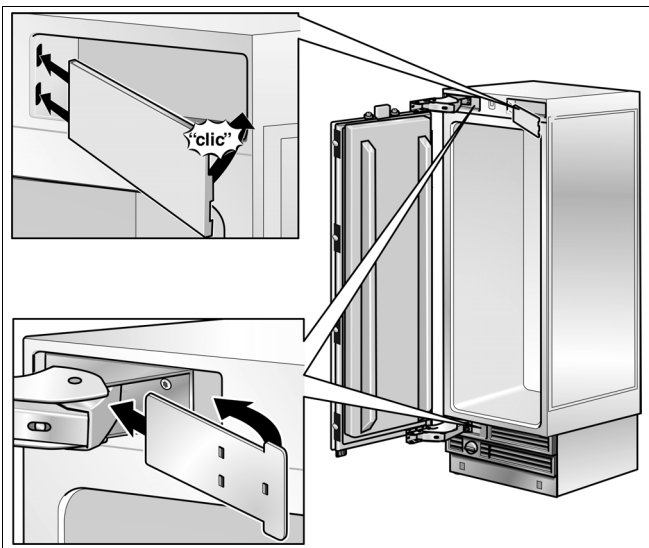
The length of the wooden beam is equal to the width of the installation cavity!



- Fix the door.



- Span the spring on the hinge. Tighten the screw from 0 to I.

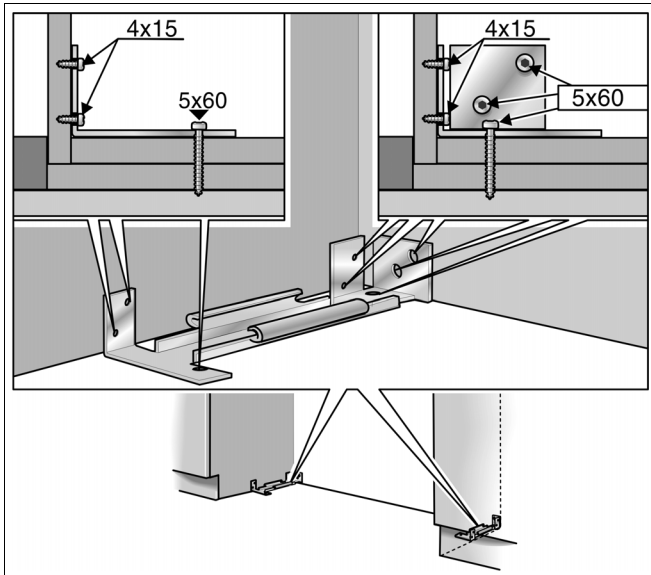


- Fix the hinge box cover.

A

Wood floor application

Use the wooden screws provided, see overview diagram "Use the screws in the screws set".



- Drill pilot holes:
 $\frac{1}{8}$ " (3 mm) for the (5 x 60 mm) wooden screws
 $\frac{5}{64}$ " (2 mm) for the (4 x 15 mm) wooden screws
 Being certain the screws penetrate through the flooring and into the wall plate a minimum of $\frac{3}{4}$ " (19 mm).
- Attach the anti-tip-bracket completely. Be sure screws hold tight.

Concrete floor applications

CAUTION

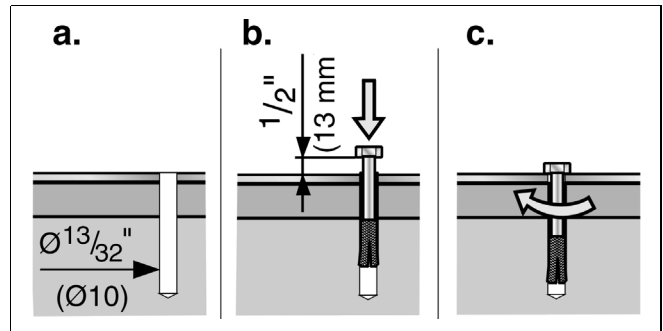
Always wear safety glasses and other necessary protective devices or apparel when installing or working with anchors.
Risk of injury!

Not recommended for use in light-weight masonry material such as block or brick.

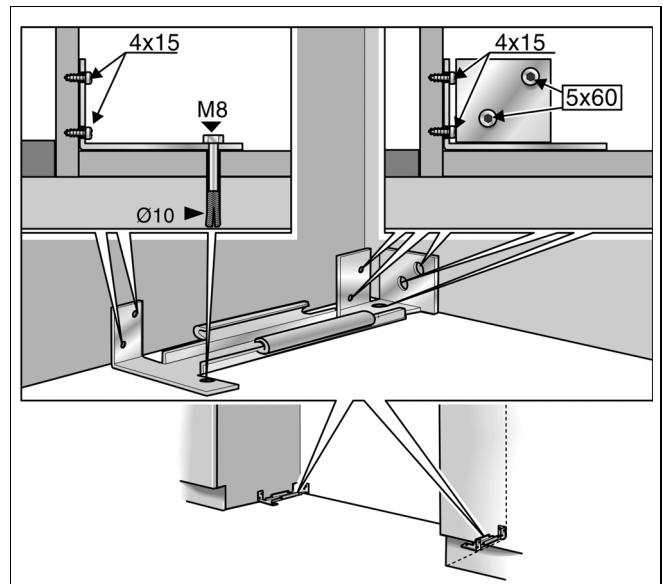
Not recommended for use in new concrete which has not had time to cure.

Do not use core drills to drill holes for this anchor.

Use concrete anchor M8 and M8 screw. Additionally use the wooden screws provided, see overview diagram "Use the screws in the screws set".



- Drill a $\frac{13}{32}$ " (10 mm) diameter hole any depth exceeding the minimum embedment. Use the provided drill.
- Clean hole or continue drilling additional depth.
- Manually insert the screw into the wall plug until the screw begins to resist.
- Knock the wall plug and screw into the hole until the screw head is approx. $\frac{1}{2}$ " (13 mm) from the anti-tip bracket.



- Tighten the screw.
- Additionally use the supplied wood screws (if the subsurface allows).

7. Attaching an alternative anti-tip device

IMPORTANT NOTE

If the anti-tip brackets cannot be attached securely, an alternative anti-tip device can be attached. However, ensure that there is no play between the appliance and the anti-tip device.

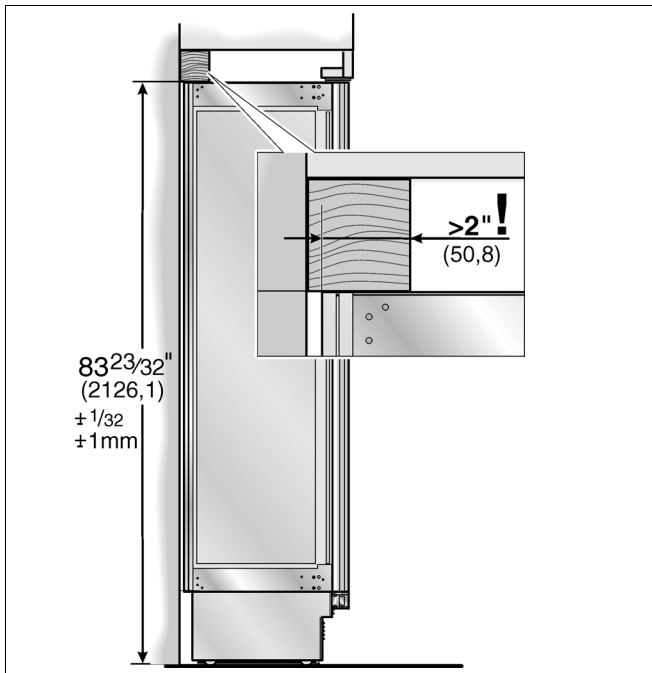
If possible, always screw the wooden beam to existing studs on the rear panel of the cavity.

- Saw the wooden beam (cross section min. 3" x 4") to the required length.

Length is equal to the width of the installation cavity!

NOTE

- If the installation cavity is deeper than the appliance, select a beam which has a larger cross section or attach 2 beams.
- The beam must cover the appliance by at least 2" (50.8 mm).



- Mark the installation height (lower edge of the beam) on the rear panel of the cavity.
- Select screws according to the thickness of the wooden beam: length = min. 2.5 x beam thickness, diameter #12 or #14.

NOTE

Specify the number of screws according to the cavity width, thereby ensuring that the beam can be attached securely.

According to the subsurface:

- Locate wall studs near the rear panel of the cavity and mark drill holes in the beam
- or
- Fasten suitable dowel into the rear wall.
- Pre-drill the wooden beam.
- Attach the wooden beam to the rear panel of the cavity.

8. Preparing to connect the water

(only for appliances which require a water connection)



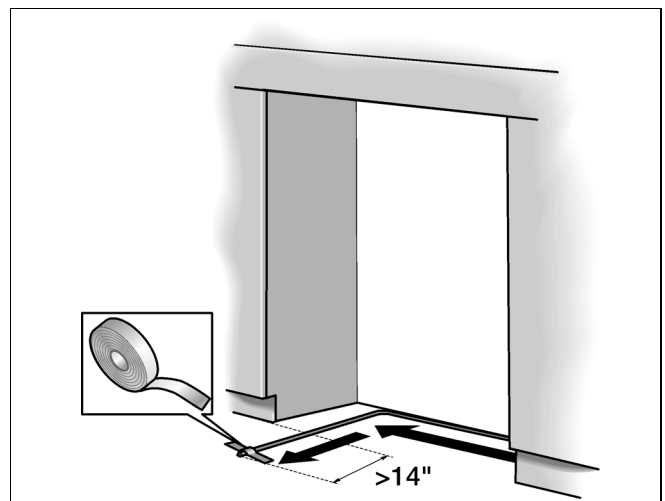
CAUTION



Turn off the main water tap to prevent damage caused by leaking water.

- Attach the connecting pipe to the shut-off valve according to the instructions supplied by the manufacturer of the ice maker installation kit.
- Install the connecting pipe.

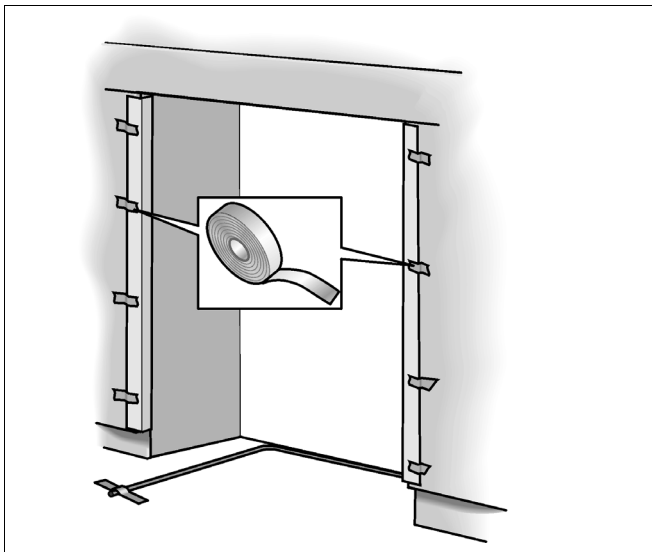
Always observe the indicated gap dimensions to prevent damage to the connecting pipe when pushing in the appliance.



- Attach the connecting pipe to the floor with adhesive tape.

A

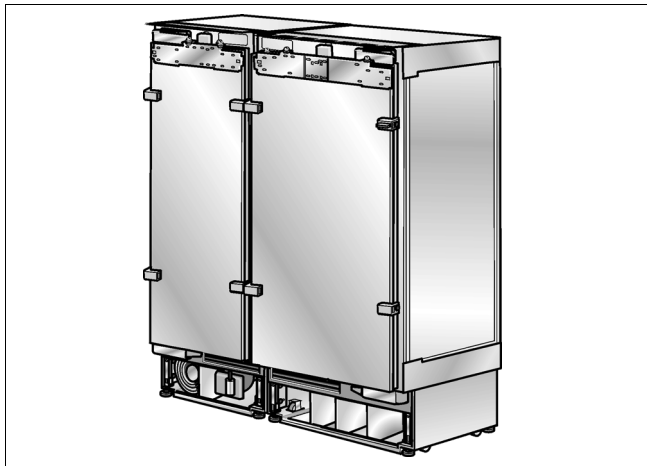
9. Attaching the edge protection



To protect the corners of the installation cavity, attach the supplied protective brackets with adhesive tape.

10. Side-by-Side installation

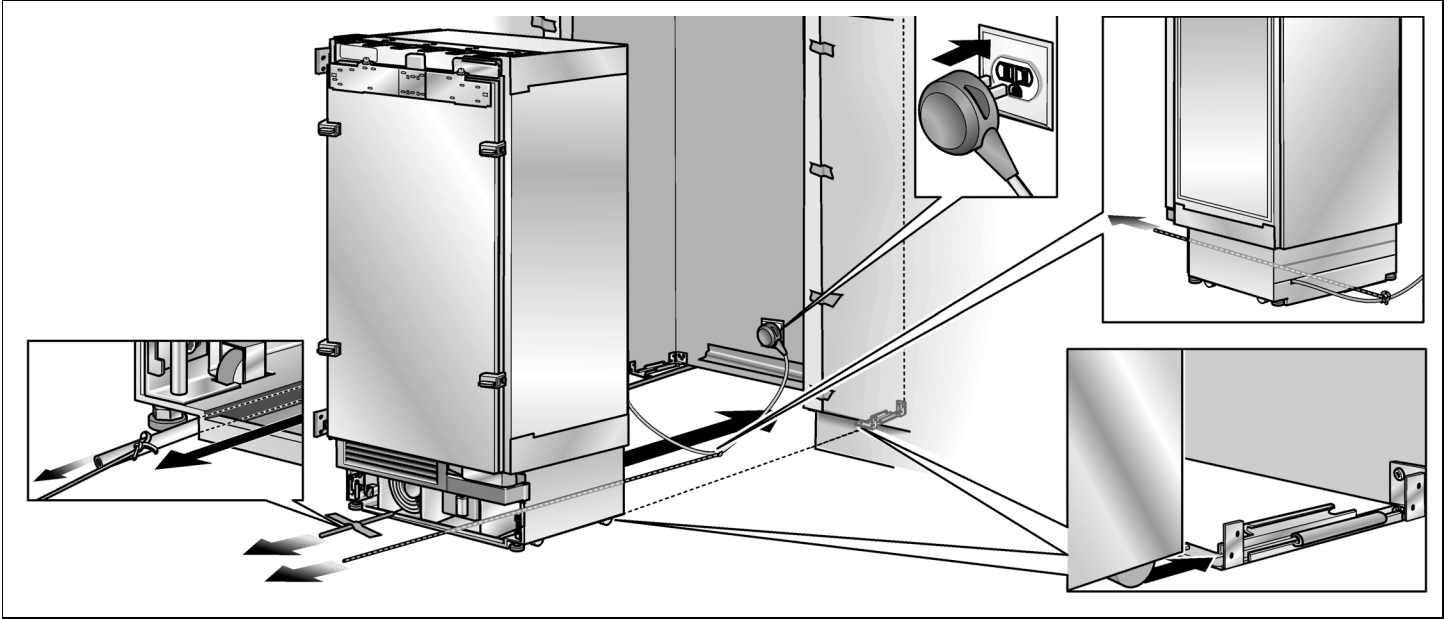
If a side-by-side installation is intended, now connect the two appliances together.



Detailed information on installation can be found in the separate installation instructions for the sealing kit for side-by-side installation.

The following work steps must be performed on two interconnected appliances.

11. Pushing the appliance into the installation cavity



CAUTION



Caution when pushing the appliance into the installation cavity. Do not damage the water pipe or power cord attached to the floor.

NOTE

When the floor or the appliance is tilted in comparison to the installation cavity adjust height adjustable wheels before you move the appliance into the installation cavity.

- Put the mains plug into the socket.

NOTE

In the case of Side-by-Side appliances a separate socket must be used for each appliance.

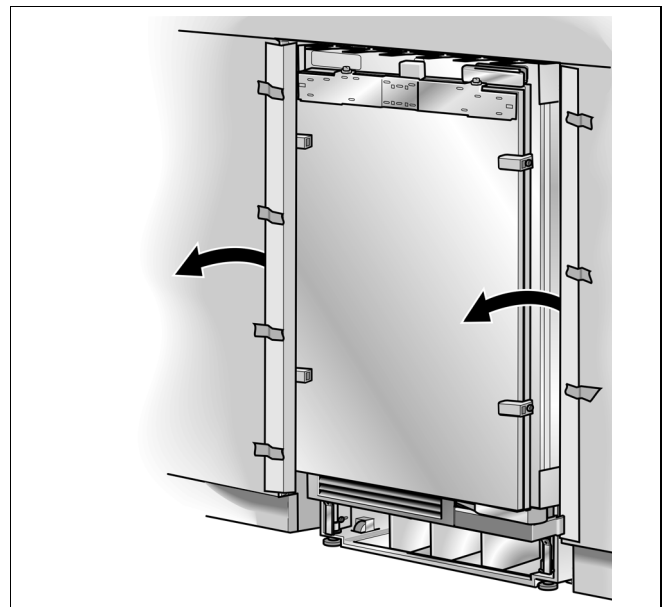
- Prevent the power cord from becoming caught.

Tie a piece of string to the middle of the power cord and feed forwards under the appliance. When pushing in the appliance, pull the cable forwards.

or

Using adhesive tape, stick the power cord to the floor centrally behind the appliance approx. 15" (380 mm) away from the rear panel of the cavity.

- Carefully push the appliance into the cavity until the height-adjustable wheel interlock with the anti-tip brackets.



- Remove edge protection.

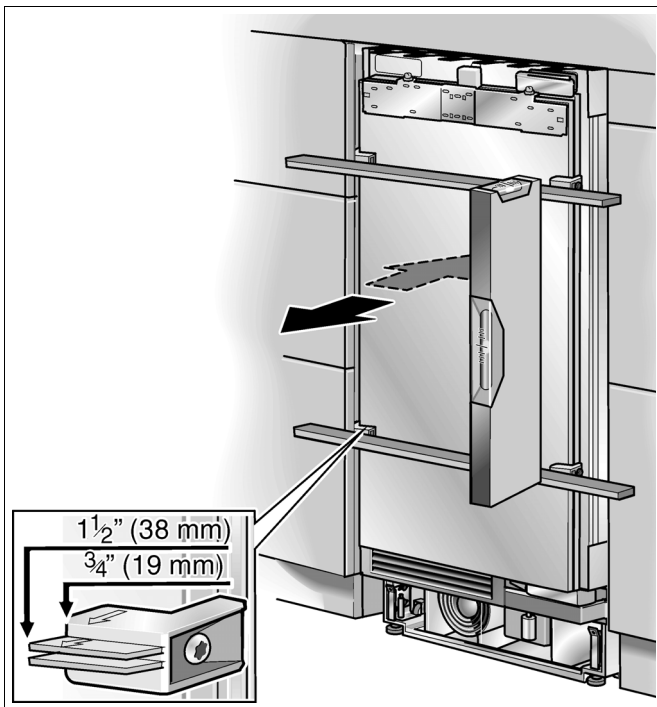
12. Installing and aligning the appliance

CAUTION

Never use a cordless screwdriver!
Risk of damage to the appliance.

NOTE

- Do not twist or jam the appliance inside the cavity! When unscrewing the height-adjustable feet, proceed gradually: Always alternate between left and right, left and right, etc..
- The adjustment of the rear feet is facilitated if the appliance is unloaded at the rear.
- Do not bend the appliance against the anti-tip-angles.



- Align the appliance with the furniture fronts.

Place marking-out level over the installation aid parts on the door.

The installation aid parts on the door have been designed for the following total thickness of furniture doors:

- $\frac{3}{4}$ " (19 mm)
- $1\frac{1}{2}$ " (38 mm)

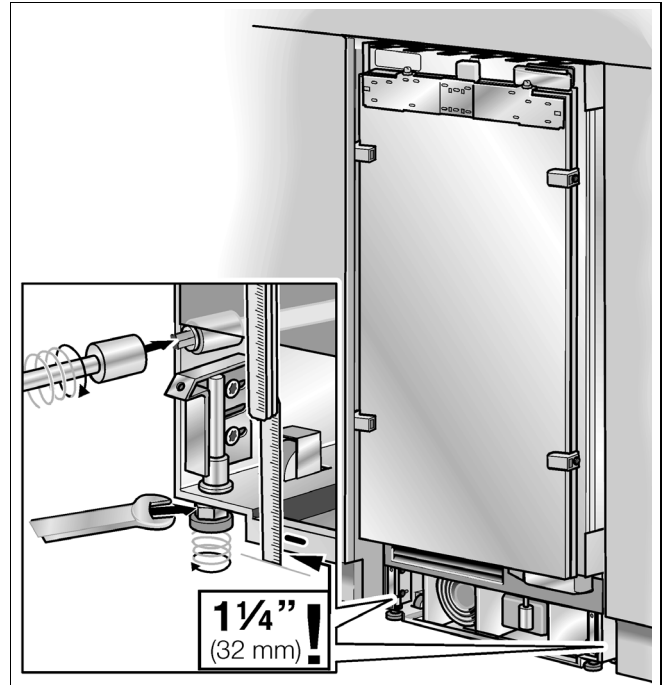
Always take account of the possible differing thickness of the furniture fronts which are to be fitted subsequently.

The height-adjustable feet at the front and rear can all be adjusted from the front.

Front: with open-ended wrench $\frac{1}{2}$ " (SW13)

Rear: with $\frac{5}{16}$ " (8 mm) hex nut driver via flexible shaft.

A mark is attached to the appliance base and is used as a standard gage for height adjustment. When adjusting the height, align this mark at a height of $1\frac{1}{2}$ " (32 mm) above the floor.



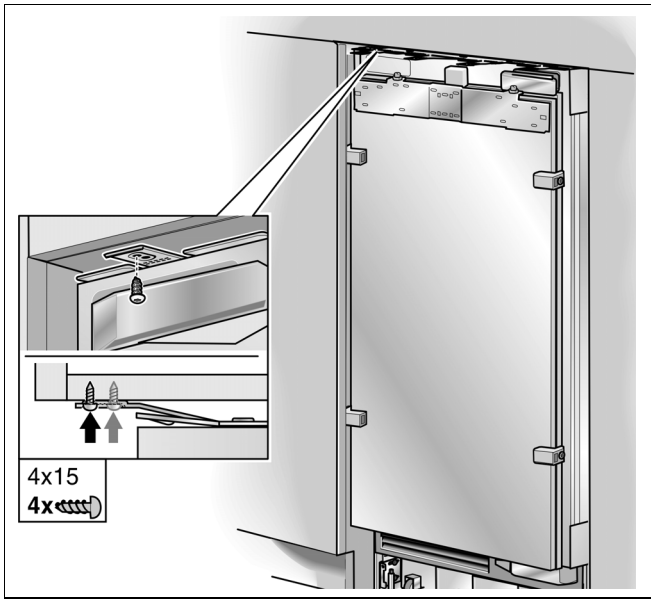
- Unscrew the height-adjustable feet until the mark on the base has reached the indicated guide dimension ($1\frac{1}{4}$ "/32 mm).

NOTE

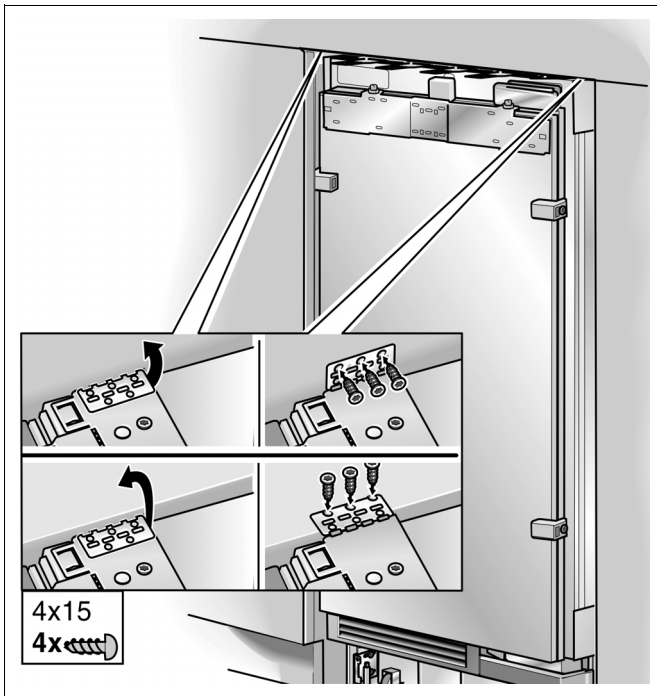
It is very important to comply with this dimension for the subsequent alignment of the furniture fronts.

- Align the furniture fronts with the spirit level.

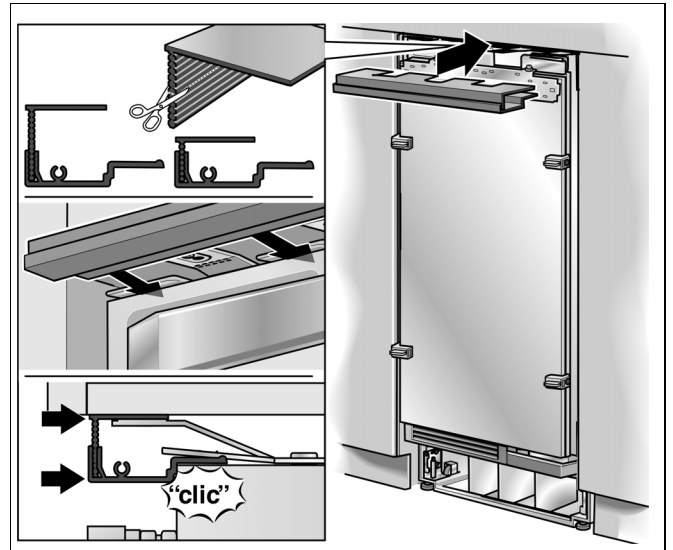
13. Attaching the appliance to the top of the cavity



- Screw the attachment plate lugs (top) to the overhead furniture/fixtures.



- Fix the attachment plate side lugs (top) depending on the installation situation.
- If there is a fairly large gap above the appliance, fit a wooden beam above the appliance, ensuring that the wooden beam fits the gap exactly.

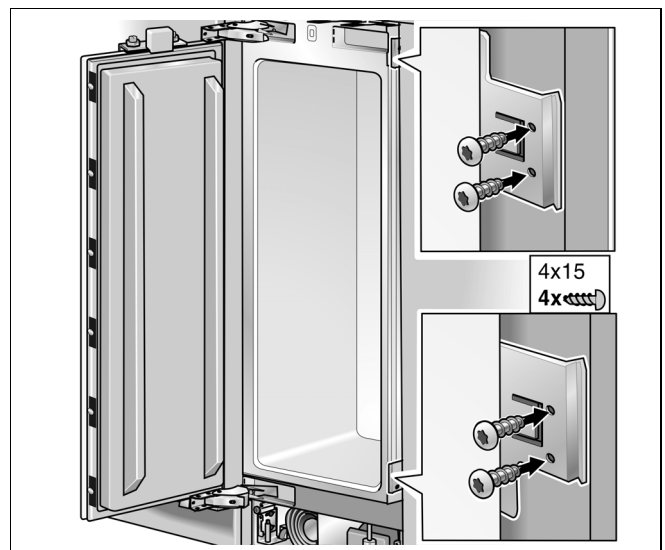


- Attach the cover strip to the attachment plate (top). Shorten the fitting strip to the required height!

NOTE

In the case of a side-by-side installation connect both cover rails to the bolt included in the installation accessories for side-by-side installation.

14. Attaching the individual appliance to the side of the cavity



- Screw the attachment plate lugs (side) to the adjacent furniture/fixtures (individual appliances only).

NOTE

In the case of a side-by-side installation this installation step is not possible. These parts have been removed.

15. Checking that the finger guard moves easily

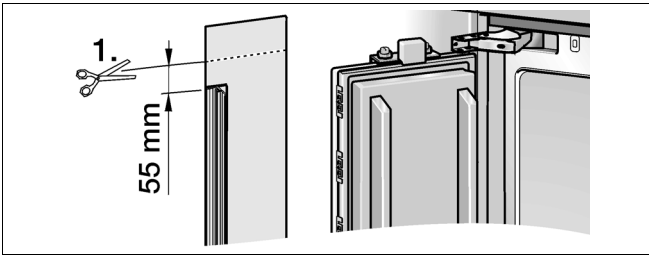
It is now essential to check that the finger guard moves easily. At a later time any required corrections will be more difficult.

Note:

The supplied finger guard can be used for both sides of the door hinge.

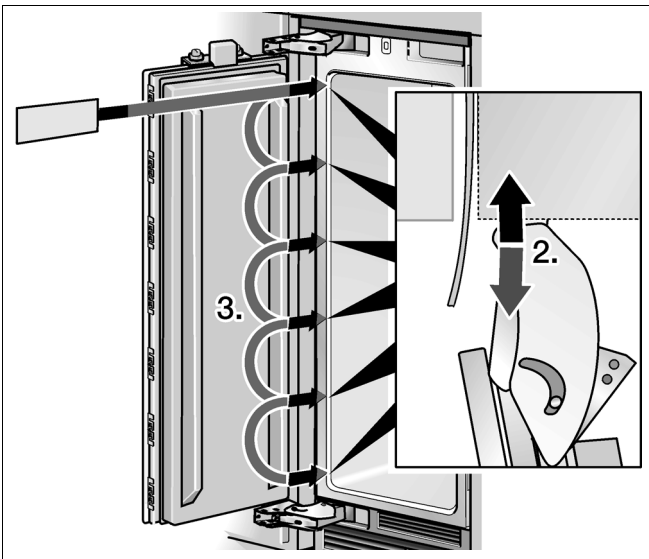
Because of different installation possibilities, the finger guard has to be shortened to the required length.

- Shorten the finger guard at the upper side above the covering strip by 55 mm (1.).



- Push the offcut on the hinge side into the gap between the appliance and cavity wall.

The part has to be easy pushing and pulling (2.)!



Ensure smooth running at all positions of the door (3.).

16. Connecting the water to the appliance



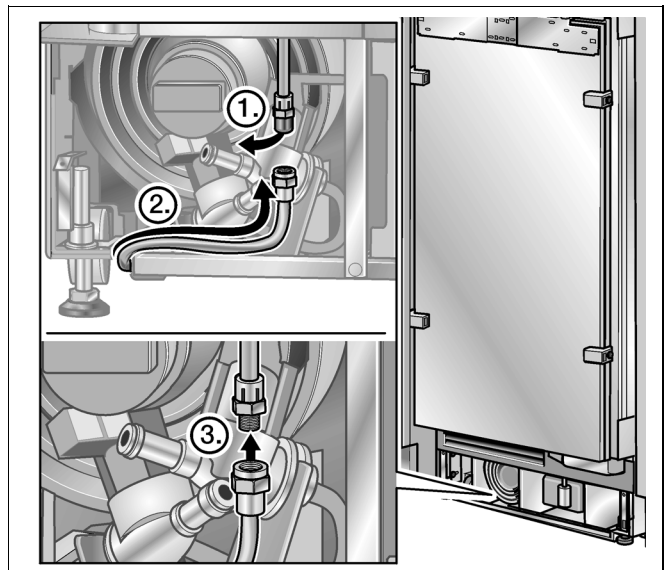
CAUTION



When bending the water pipe, do not kink it, otherwise there is a **risk of leaks and water damage**.

NOTE

When connecting the water pipe to the solenoid valve of the appliance, follow the instructions supplied by the manufacturer of the ice maker installation kit enclosed with the installation manual.



- Remove the cap from the appliance connection (1.).
- Bend the water pipe according to the location of the connection on the appliance (2.).
- Push the union nut and seal onto the water pipe.
- Push the end of the water pipe into the appliance connection and screw on the union nut (3.). Tighten hand-tight.
- Using the open-ended wrench, tighten the union nut. Do not overturn!
- Open the shut-off valve and main water tap.
- Check the connection on the shut-off valve and on the appliance for leaks.

17. Attaching the toe kick panel



CAUTION

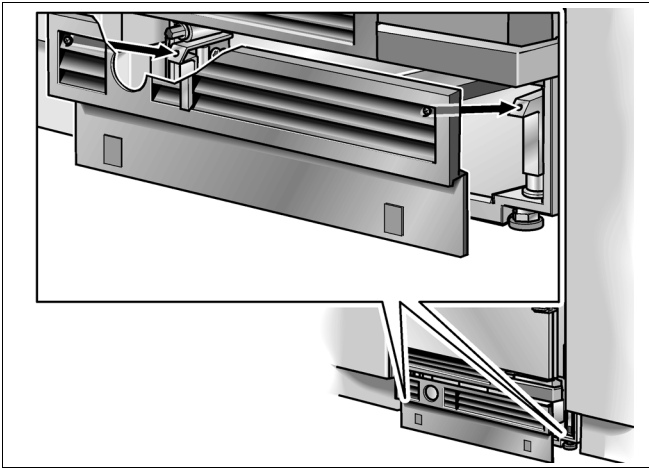


The maximum height of the toe kick panel is 4" from the top of the floor.

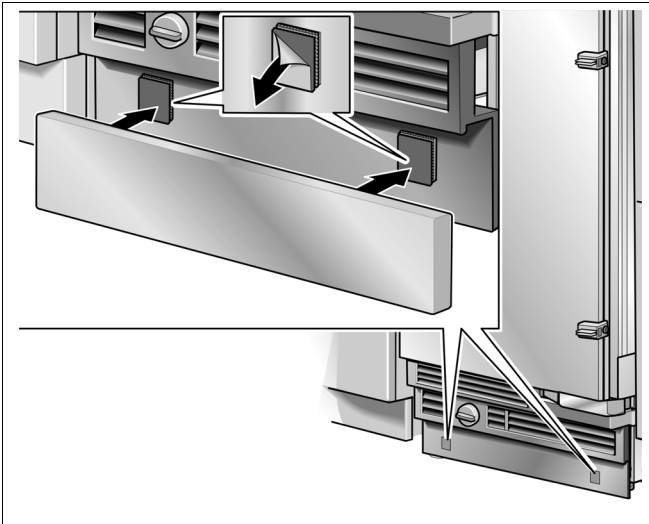
Do not cover ventilation slots in the base panel.

Risk of damage to the appliance.

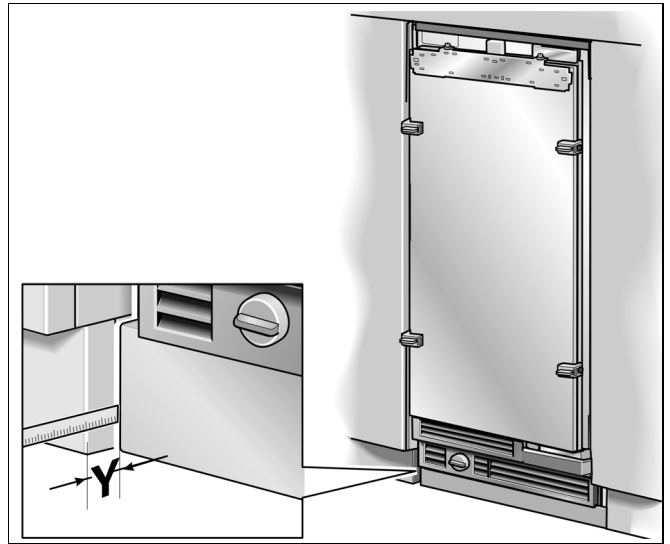
- If required, cut the toe kick panel to the required length.



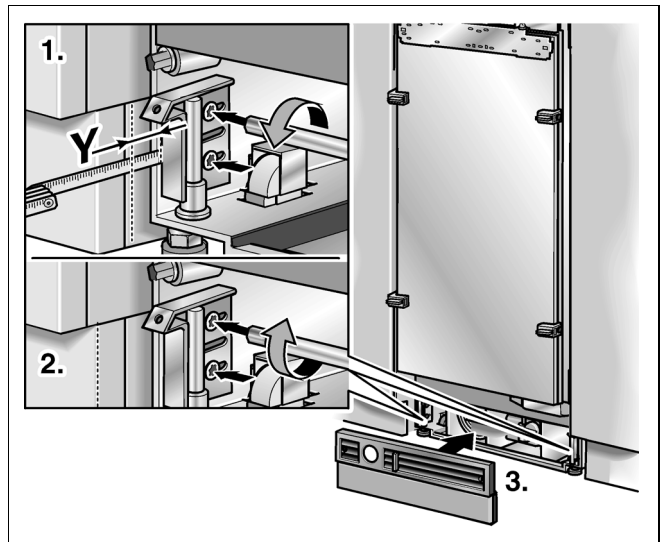
- Attach the base panel to the appliance.



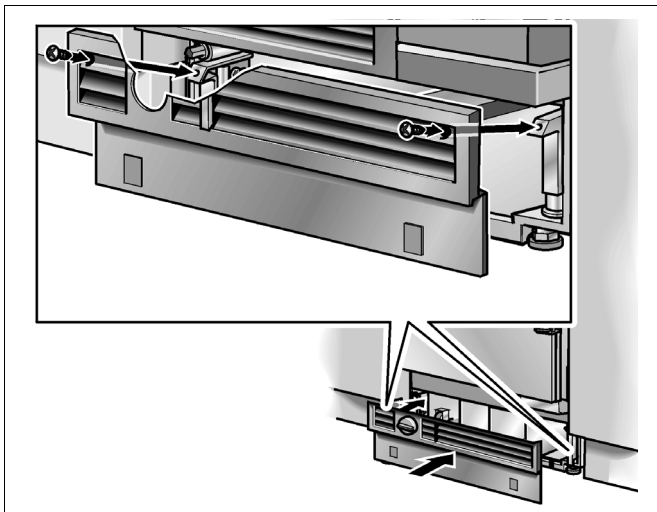
- Remove the protective film from the adhesive pads on the Velcro.
- Fit the toe kick panel to the base panel and press firmly into place.



- Put on the base panel (do not screw on) and measure the difference in depth **Y** between the base panel and toe kick panel of the adjacent furniture.
- Remove the base panel.
- Loosen the brackets for attaching the base panel and push in all the way.



- Pull out the brackets by the measured amount **Y**.
- Screw the brackets tightly.



- Attach the base panel.

NOTE

If required, the toe kick panel can be screwed to the base panel. There are screw holes in the base panel near the Velcro.

18. Commissioning the Appliance

To guarantee the accuracy of the following working steps and thus the appearance of the overall kitchen front later on, the appliance should now be operated.

- Open the appliance door.
- Press the POWER button.

Only for appliances with a water connection:

In order to avoid the risk of damage caused by leaking water from damage possibly caused to the water pipe feeding the appliance, keep the shut-off valve closed.

19. Preparing the furniture doors

IMPORTANT NOTE

When performing any work on the furniture doors, always observe the following:

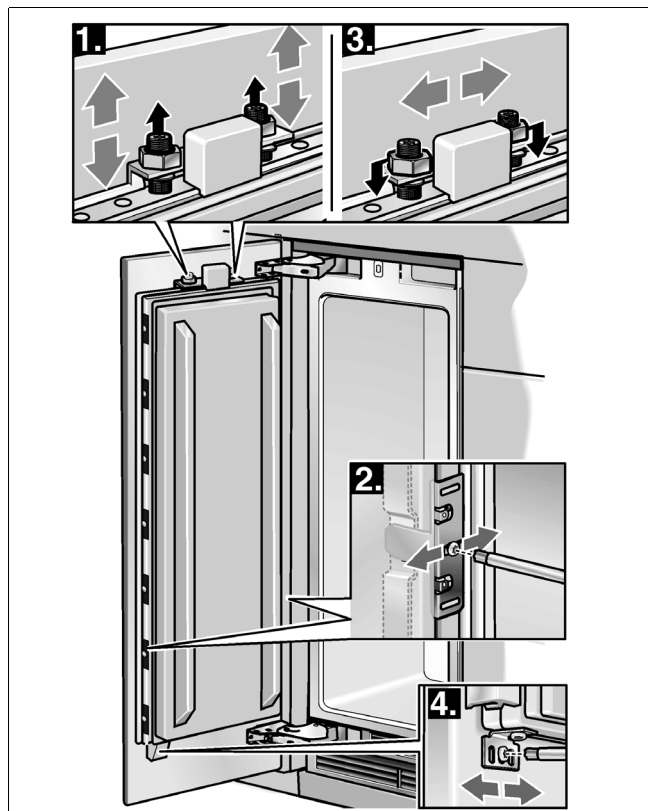
- Always screw into the best load-bearing material of the furniture door.
- Never screw into fillers, decorative strips or similar.
- Select a screw length which is always shorter than the thickness of the furniture front.
- To prevent damage, protect surfaces of the furniture doors during installation.

The total weight of the furniture front must not exceed the following values:

- 18" Appliance 44 lbs/20 kg (19 lbs/8.5 kg *)
 - 24" Appliance 55 lbs/25 kg (32 lbs/14.5 kg *)
 - 30" Appliance 64 lbs/29 kg
- (* Wine unit)

Adjusting the furniture door

The furniture fronts are attached to the appliance door by means of fitting parts on the appliance. These fitting parts allow the furniture door to be adjusted precisely and attached securely to the appliance.

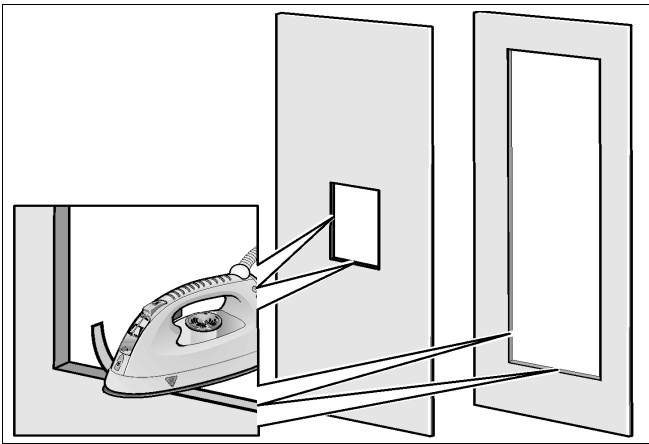


Function of different parts:

1. Double threaded bolt on the adjusting rail:
for vertical adjustment of the furniture door.
2. Side brackets:
for adjusting the depth of the furniture front.
3. Nuts on the double threaded bolt:
for securing the furniture front to prevent lateral movement.
4. Lower brackets:
for securing the furniture front to prevent lateral movement.

Important information for furniture doors with cutout (appliances with ice and water dispenser, wine storage cabinets):

The cut edges of the door cutout must be protected before humidity penetrates. To do this, use the means suitable for the material and the shape of the furniture door (e. g. edge veneer, edge sealant).

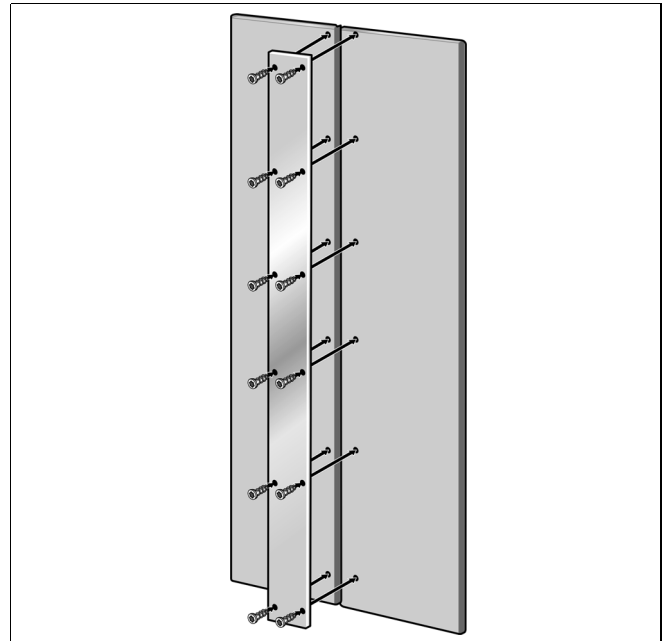


Panel unification kit

In the case of 30" and 36" wide appliances 2 adjacent furniture doors can be attached instead of one large door. These furniture doors must be connected to a metal strip on the rear.

This metal strip can be purchased from customer service as an optional accessory, see the section on "Optional accessories" on page 17.

When attaching the metal strip to the furniture doors, observe the maximum possible length of the screws and the position of the drill holes. Always screw into the best load-bearing material of the furniture door.



NOTE

- Never screw into fillers, decorative strips or similar.
- If only one furniture door is to be attached to the door of a 30" or 36" wide appliance, attach the supplied sandwich plate to the adjusting rail and lock into position.

20. Loading the appliance door

When attaching the furniture doors, it is recommended to load the door storage compartments in the appliance with weights in order to ensure that the gap width is as precise as possible.

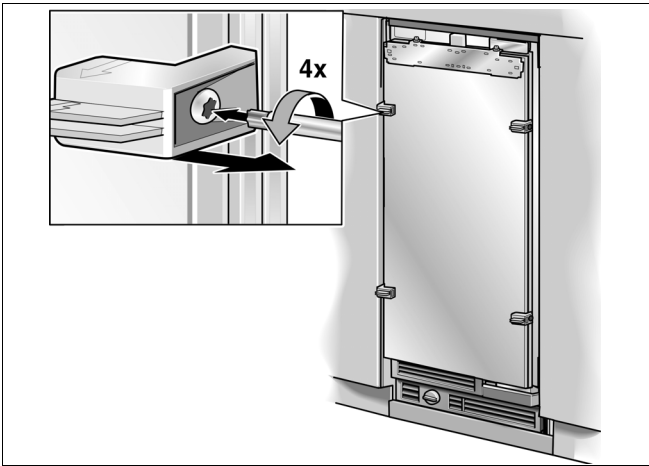
Recommendations:

- 18" Appliance: 22 lbs/10 kg
- 24" Appliance: 33 lbs/15 kg
- 30" Appliance: 44 lbs/20 kg

21. Attaching the adjusting rail to the furniture door

NOTE

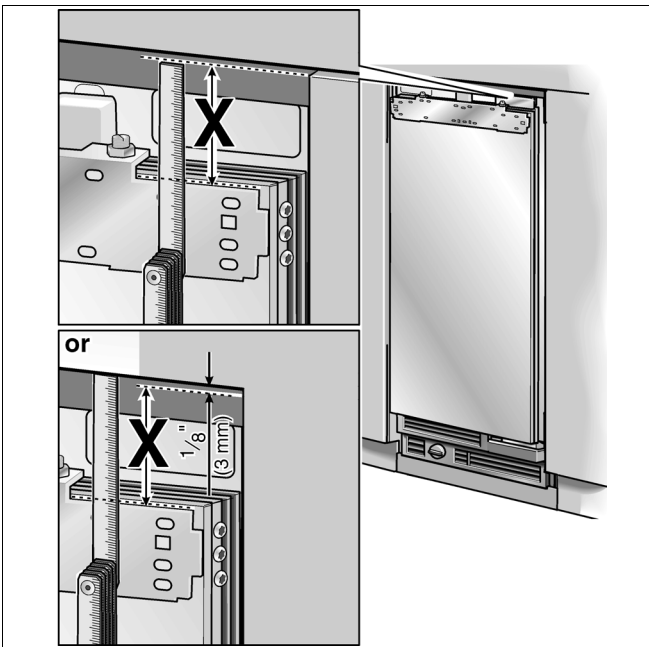
The adjusting rail is the most important means of adjusting the furniture front.



- Unscrew the installation support part from the appliance door.

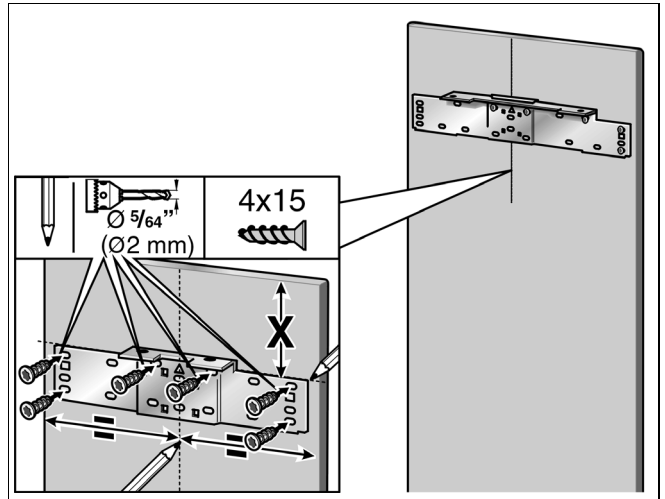
NOTE

Store the positioning aids, there will be used in an installation step later.



- Measure the distance **X** between the adjusting rail and the overhead furniture/fixtures.

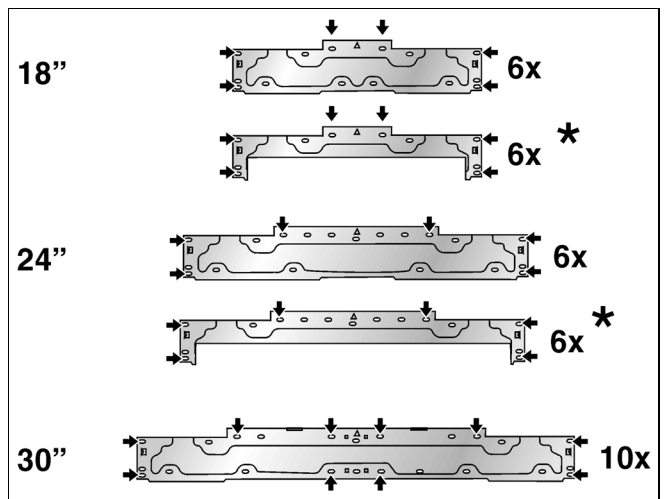
- Loosen the 2 nuts and remove the adjusting rail.



- Mark this amount **X** on the rear of the furniture door.
- Determine and mark the centerline of the furniture door.
- Put on the adjusting rail and align along the marks. Mark the drill holes.
- Drill the holes.
- Screw on the adjusting rail tightly.

Notes:

- Attach the adjusting rail to the furniture door with at least 6 screws. One screw should be inserted under each double threaded bolt.

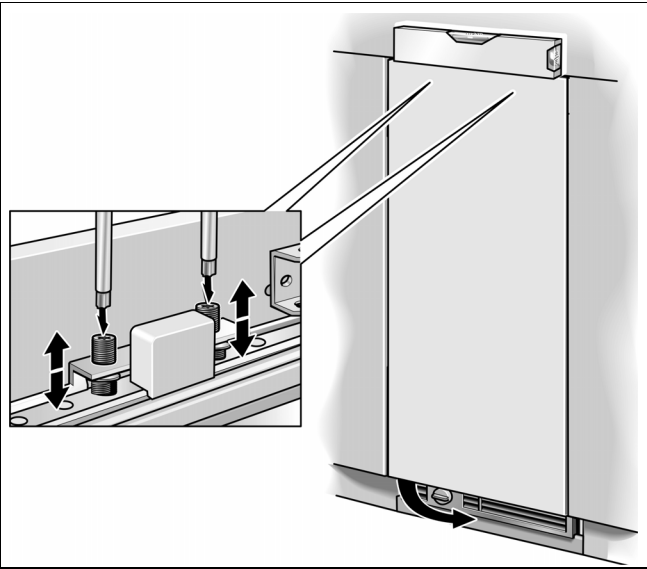


(* Wine unit)

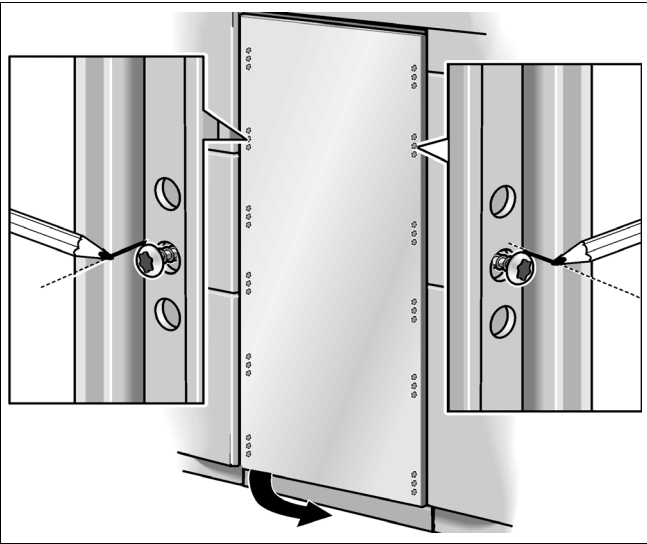
- The adjusting rail features a variety of holes for the many different design options of furniture doors. Always screw into the best load-bearing material of the furniture door.

22. Attaching and aligning the furniture door

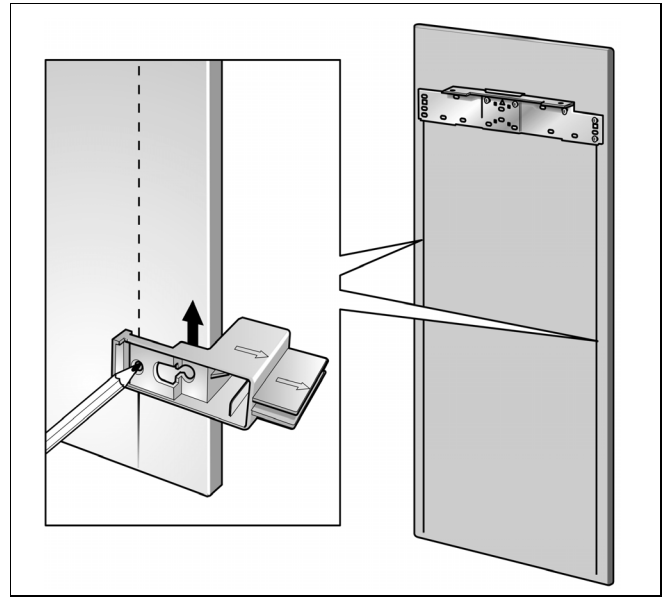
- Hang the furniture door on the double threaded bolt.



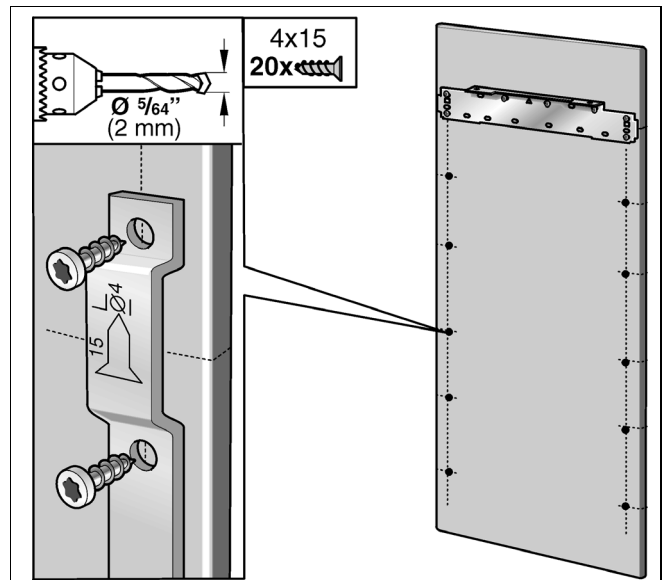
- Align the furniture door with the double threaded bolts (Torx screwdriver).



- Transfer the middle drill holes along the outer edge of the appliance door to the furniture front and mark.
- Remove the furniture door.



- Using the positioning aid, set both longitudinal sides of the furniture door parallel.
- Using a square, extend the drill hole marks which you have just made to the vertical marks.
- Apply the fixing rib and mark out the holes.
- Pre-drill the holes.

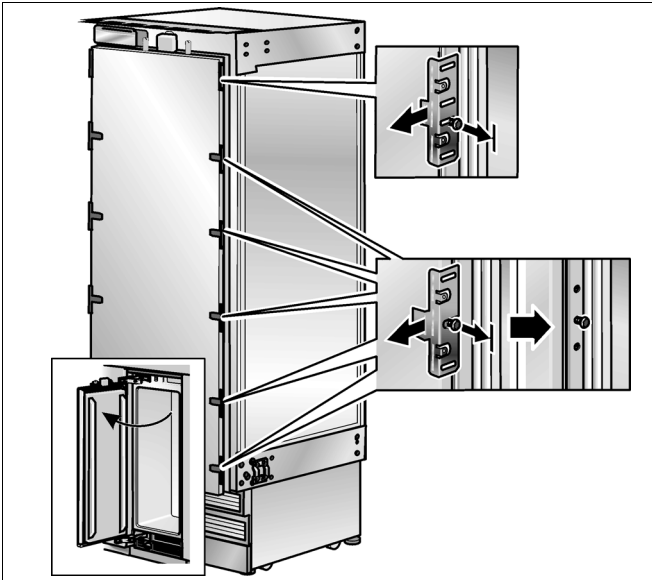


- Screw on the fixing ribs.

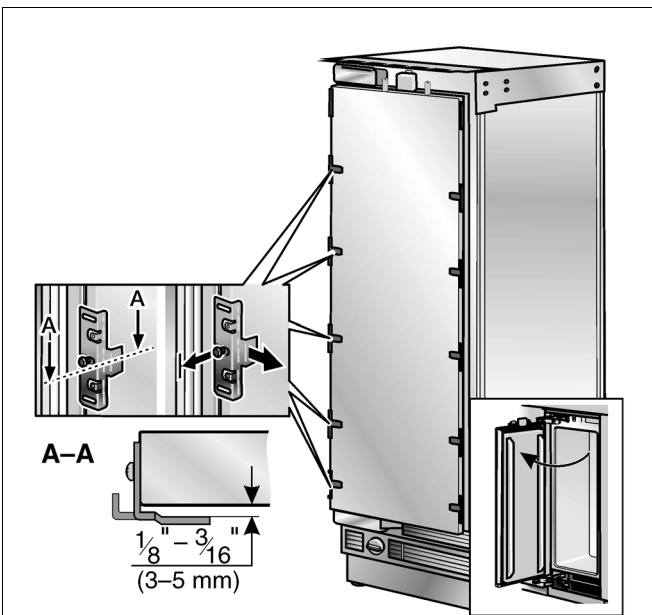
23. Attaching the furniture door

NOTE

Now fit the furniture handles which are screwed from behind!

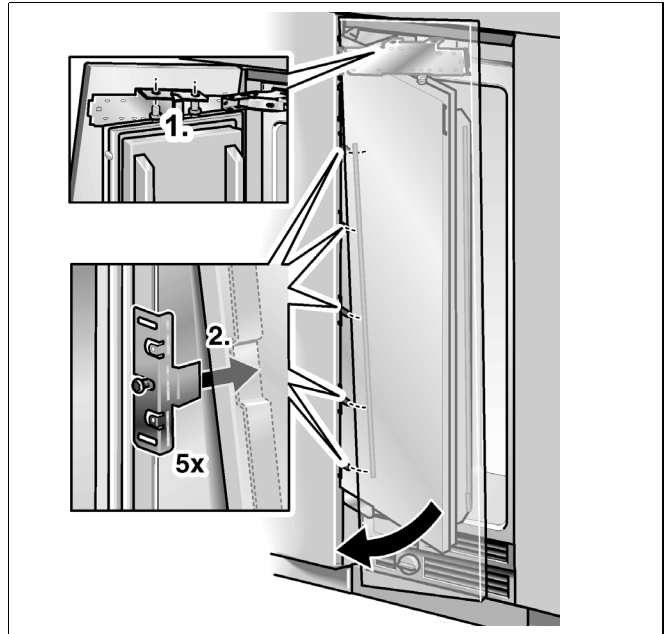


- Remove fixing bracket on the handle side from the appliance door. To do this, loosen the fastening screws only.

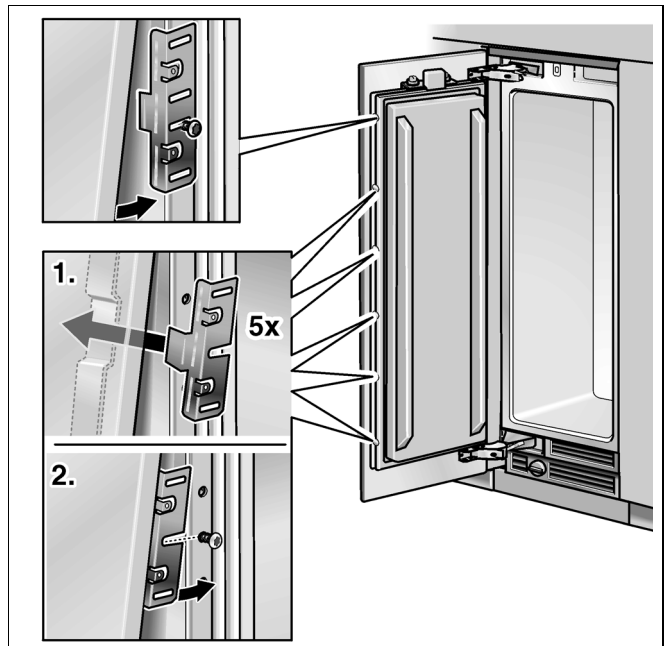


- Loosen fixing bracket on the hinge side and pull slightly off the appliance door. To do this, loosen the fastening screws only.
- Open the appliance door.

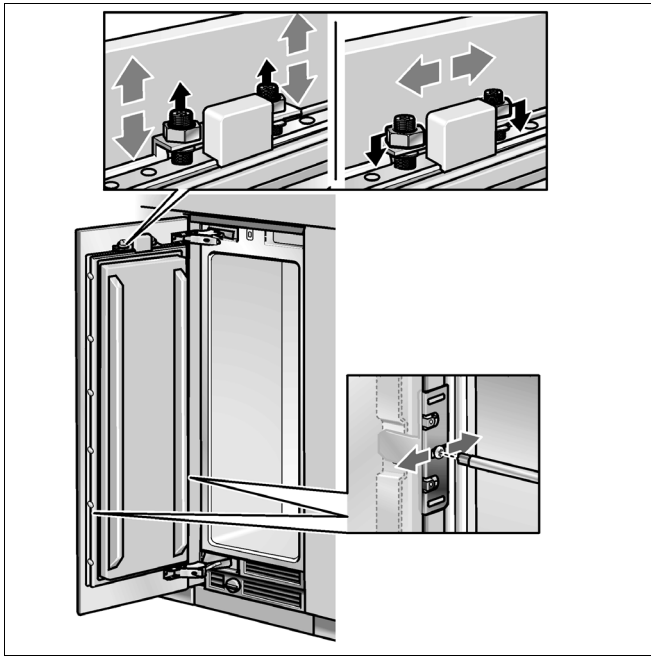
- Hang the furniture door with adjusting rail over the double threaded bolts.



- Hang the furniture door with adjusting rail over the double threaded bolts (1.).
- Raise furniture door slightly and push the fixing rib down over the fixing brackets (2.).

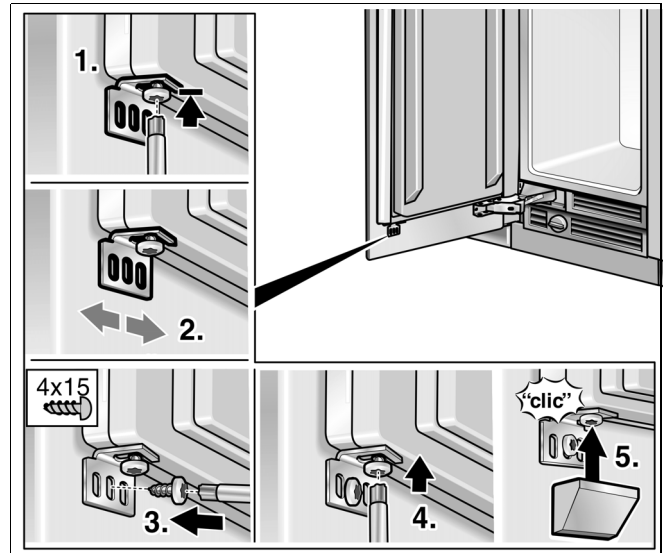


- Insert removed fixing brackets into the fixing rib and push over the fastening screws.
- Screw the nuts a little onto the double threaded bolts. Do not tighten!



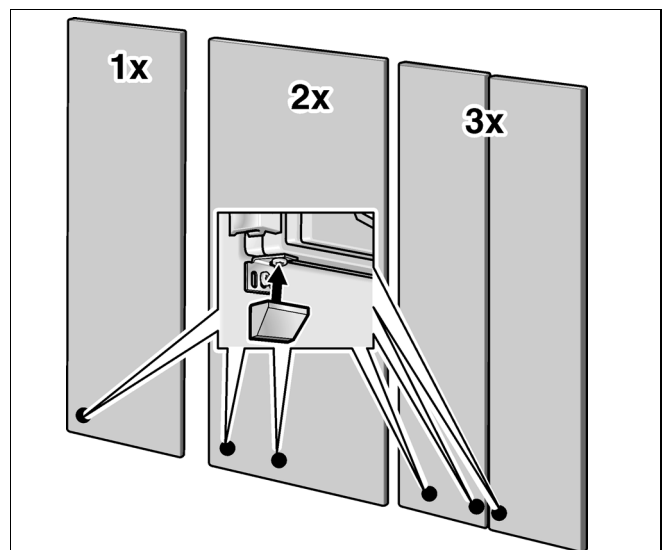
- Adjust the furniture door using the threaded rod (Torx screwdriver). Re-examine the dimensions of the crack continuously.
- Close the door and check that the depth of the furniture front is aligned with the adjacent fronts. If required, correct.
- Tighten the bracket screws to fix the depth alignment.
- Close the door and check the side alignment. Correct by gently tapping the edge of the open furniture door with your hand.
- Tighten the nuts on the adjusting rail. This will fix the side alignment of the door.

24. Attaching the lower bracket



- Screw on the lower brackets (Installation kit). Predrill holes in the furniture door!
The lower bracket fixes the side position of the door.
1. Loosen the screw.
 2. Check the side position of the door.
 3. Screw in the wooden screw.
 4. Tighten the screw.
 5. Put the cover on the brackets.

Note:

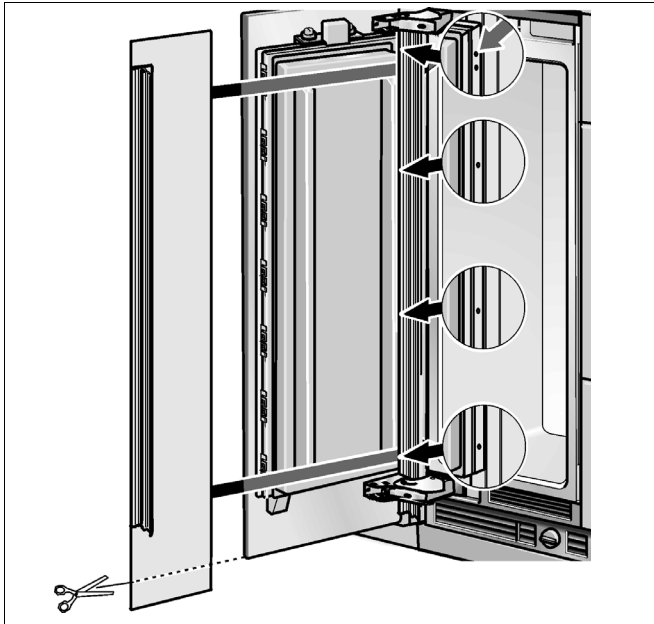


The number of lower brackets depends on the width and the design of the furniture door.

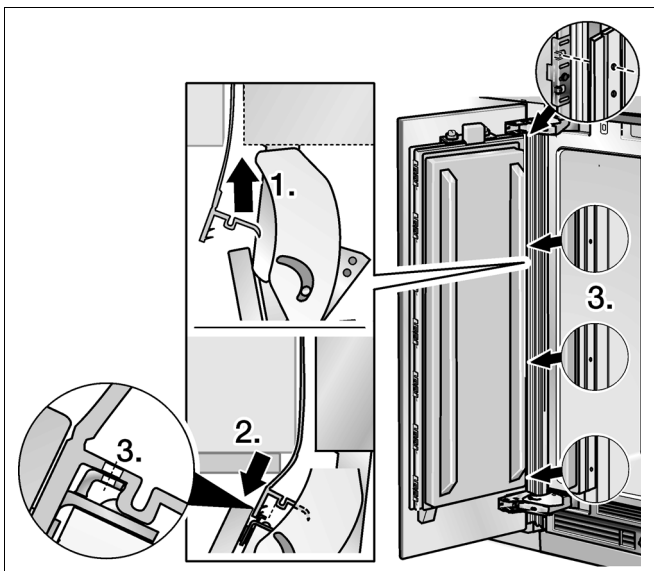
25. Attaching the finger guard

- When positioning the finger protector at the door, ensure that the fixing holes in the cover strip correspond with the boreholes in the fixing brackets.

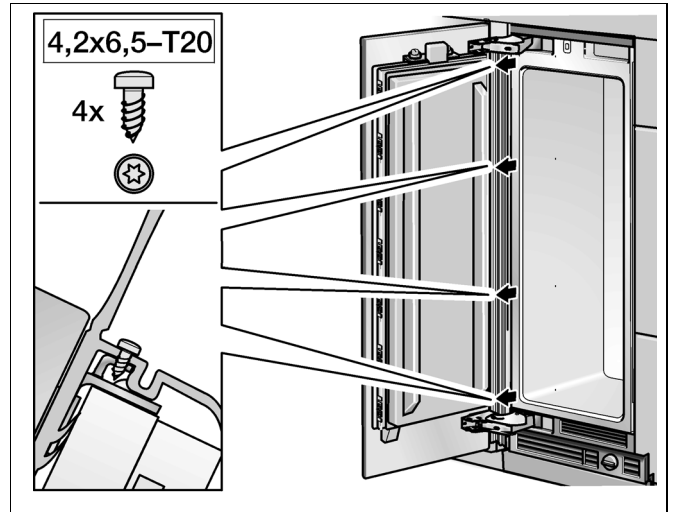
Mark now the bottom edge of the finger protector and shorten accordingly.



- Push the finger protector on the hinge side into the gap between the appliance and cavity wall (1.).

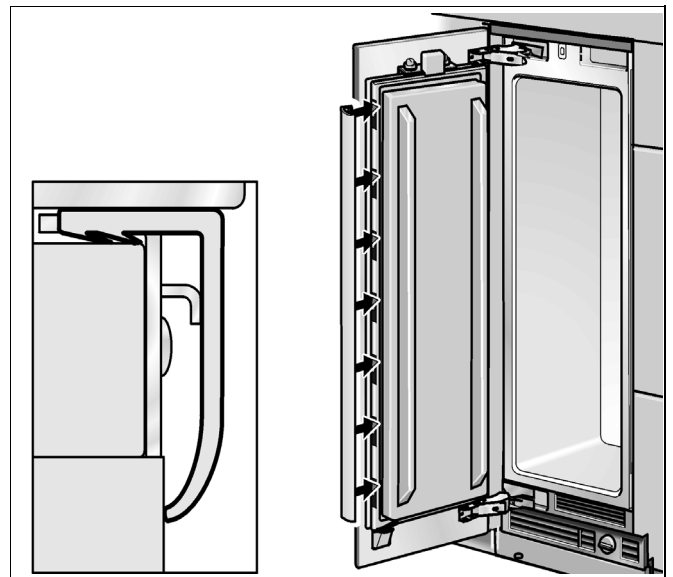


- Press the cover strip of the finger protector into the gap between the furniture door and the appliance door from top to bottom (2.). Ensure that the fixing holes in the cover strip correspond with the boreholes in the fixing brackets (3.)!

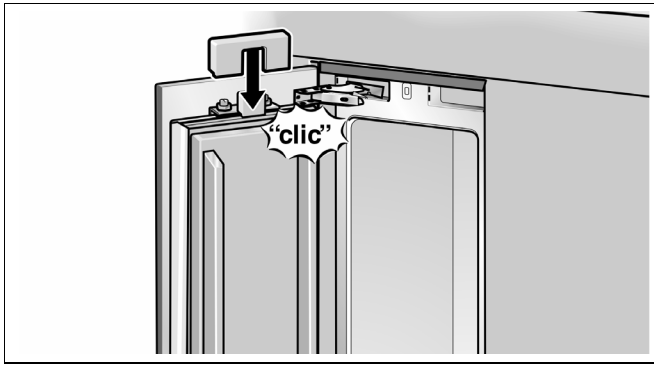


- Attach the finger protector with screws to the fixing brackets (3.).
- Test functioning and smooth running of the finger protector by repeatedly opening and closing the door.

26. Attaching the covers



- Attach the cover rib on the door.

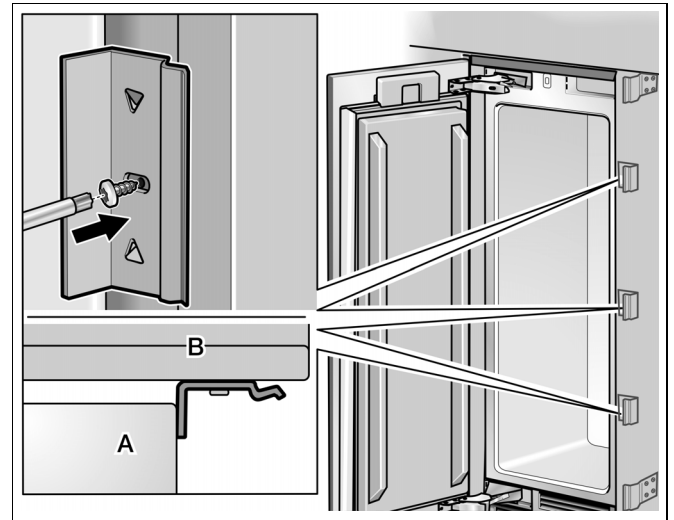


- Attach the light switch cover.

NOTE

The cover for 24" and 30" appliances can be screwed to the door.

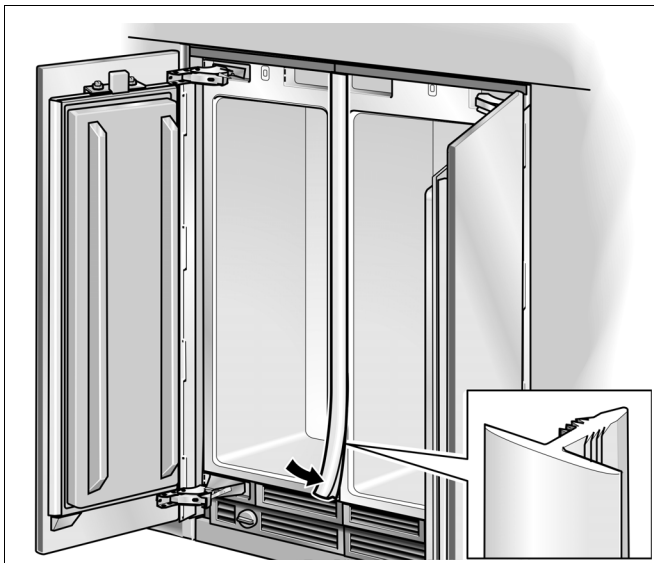
Individual appliances only:



- A Appliance
- B Furniture

- Screw on the brackets (side) for holding the cover strip.

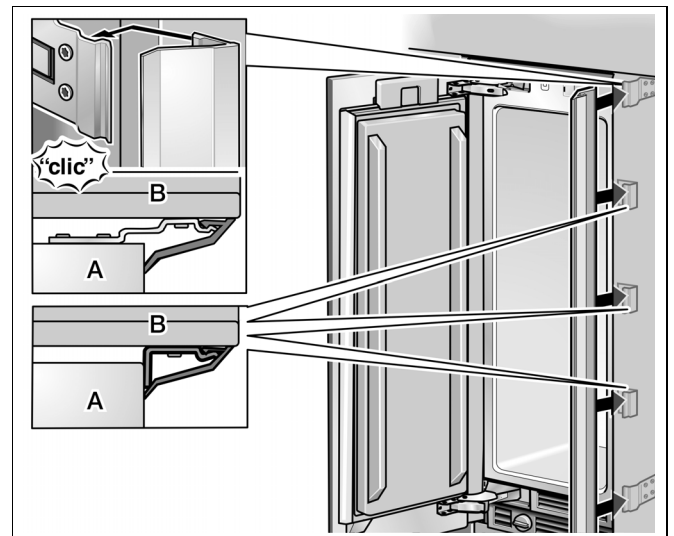
Side-by-Side installation only:



- Insert the cover strip into the space between the appliances.

NOTE

The cover rail is included in the installation accessories for side-by-side installation.



- Insert the cover strip into the space between the appliance and the wooden panel.

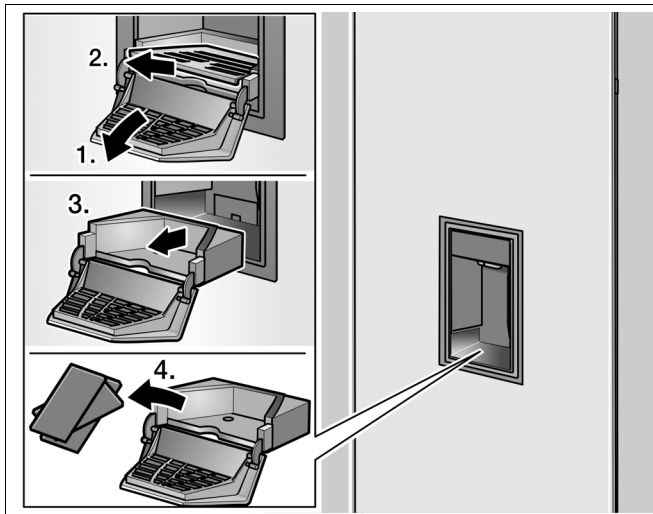
27. Aligning the ice-water dispenser

(for freezer unit with ice-water dispenser only)

NOTE

In the case of appliances with a high-grade steel door, there is a special covering frame.

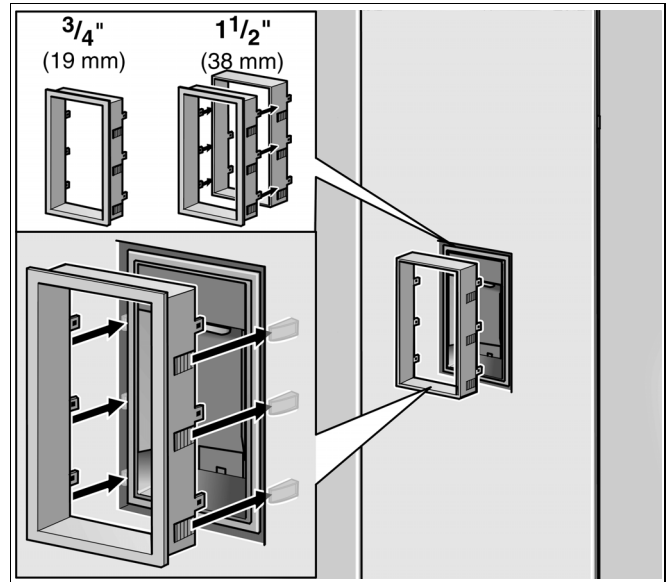
The ice-water dispenser can be aligned inside the cutout of the furniture door. This allows the dispenser to be aligned parallel to the furniture door in order to obtain an optimum overall appearance.



- Remove the pitcher holder (1.-3.).
- Remove the covers from the water collecting tray (4.).

NOTE

We suggest to attach the frame before adjusting the dispenser unit!

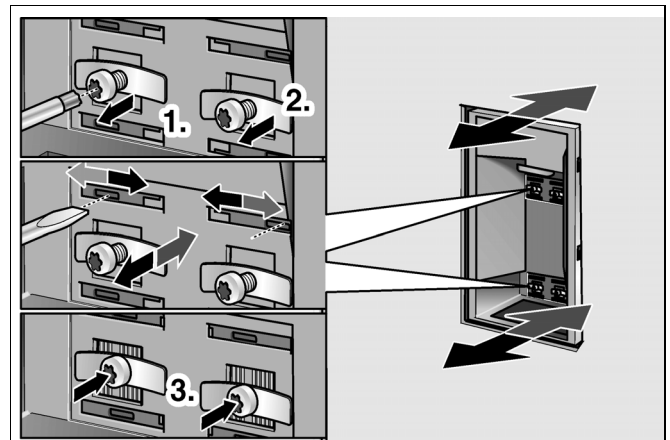


For 3/4"/19 mm thick furniture doors:

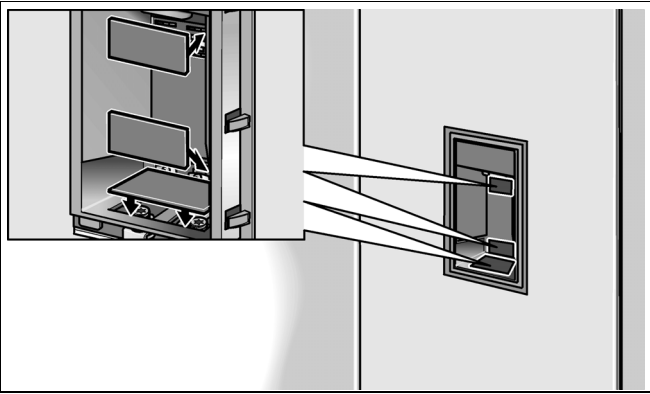
- Slide cover frame onto the ice-water dispenser and press in until the frame is flush with the door surface.

For 1 1/2"/38 mm thick furniture doors:

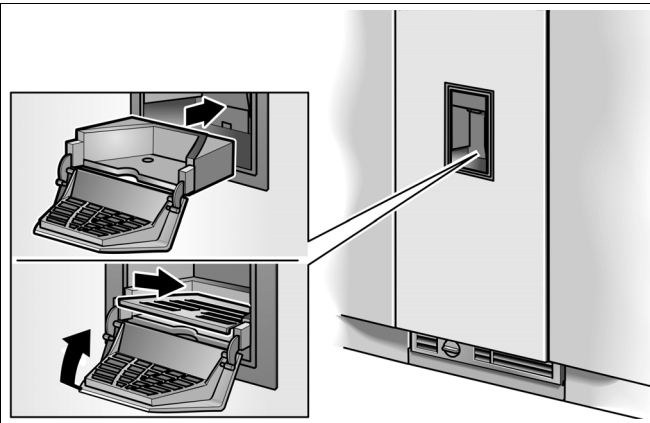
- Press extension frame onto the cover frame.
- Slide cover frame onto the ice-water dispenser and press in until the frame is flush with the door surface.



- Loosen screws on the 4 clamps (1.).
- Insert flat screwdriver into one of the 4 slots and push the blocks sideways until the ice-water dispenser has the same distance from the furniture door (2.).
- Retighten the screws on the clamps (3.).



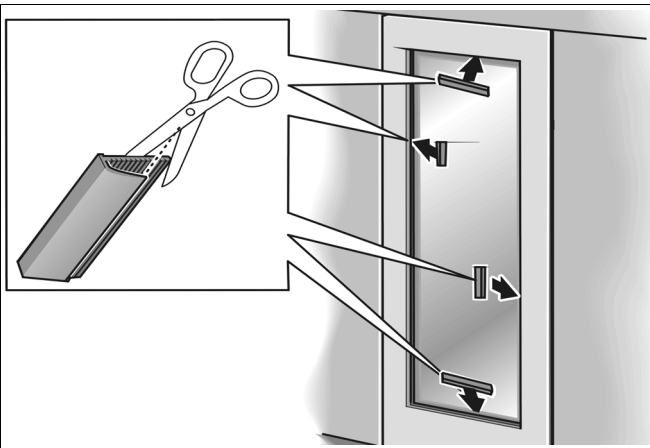
- Insert covers.



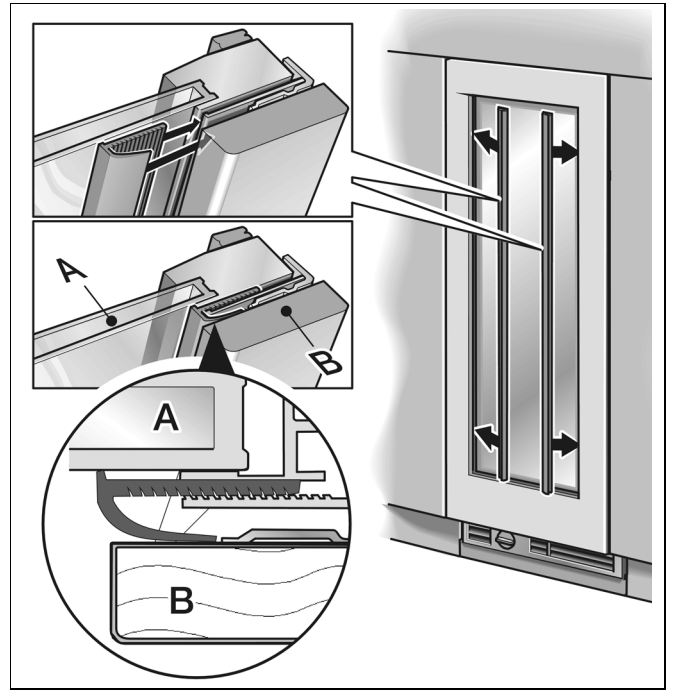
- Re-insert the pitcher holder.

28. Attaching the cover strips

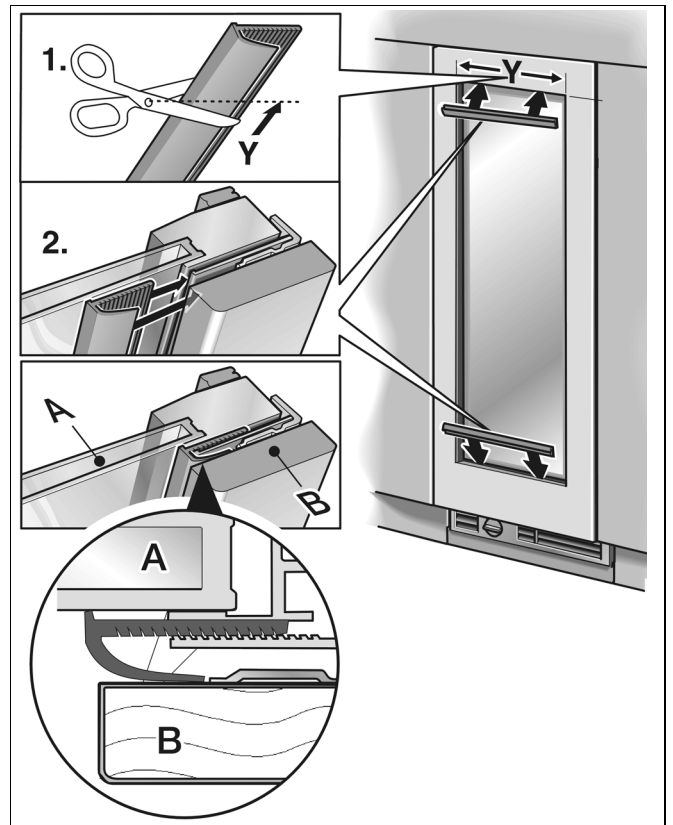
(for wine storage cupboard only)



If the frame width is narrow, the cover strip side piece may have to be shortened. To determine the required length of the side piece, test pieces are enclosed with the cover strip.



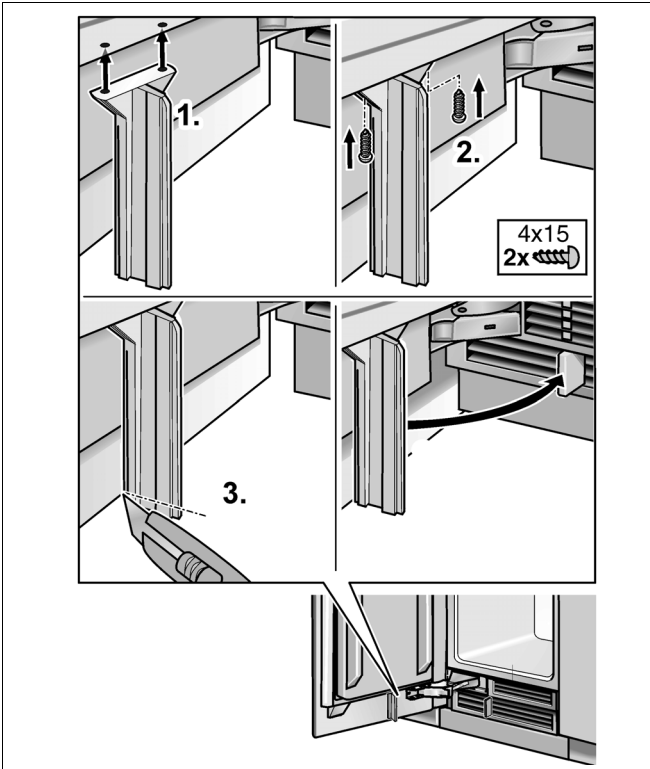
- Push cover strips on the longitudinal side into the gap between the furniture door and glass pane.
- Cut the cover strips on the short sides to the required length.



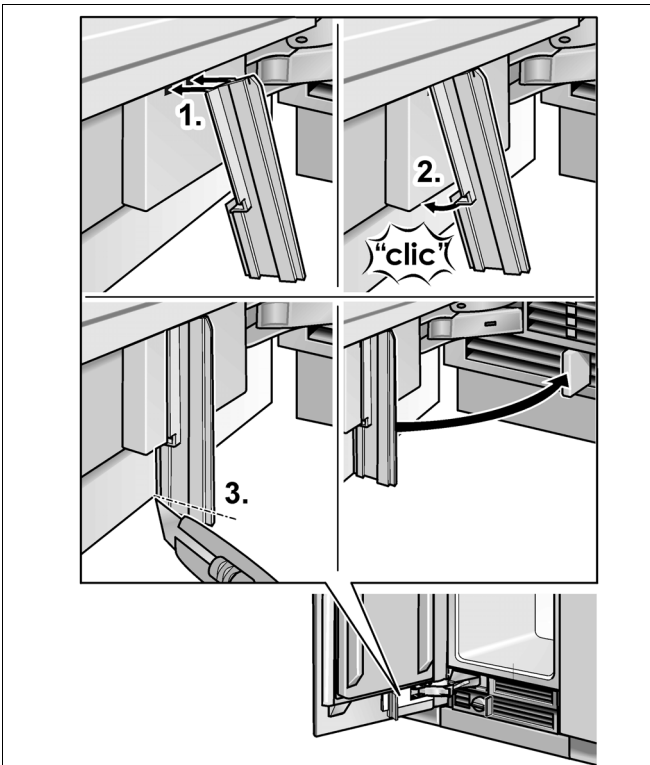
- Slide cover strips in the gap between the furniture door and glass pane.

29. Mounting of air separator

Screw the air separator to the furniture door in order to separate the supply and waste air.



For appliances with ice-water dispenser:

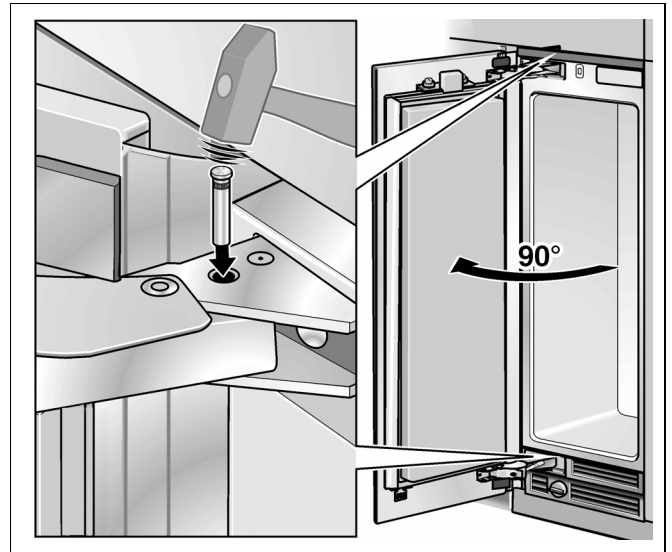


30. Adjusting the door opening angle

Depending on the installation situation, it may be necessary to adjust the door opening angle. A door opening angle of 115° has been set at the factory.

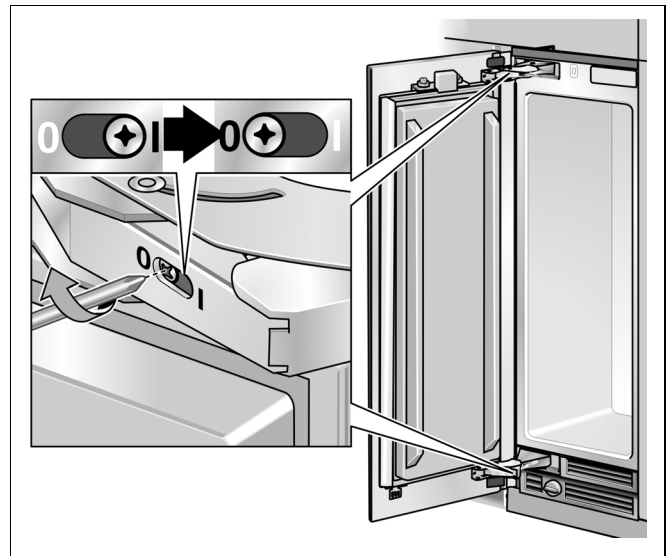
To adjust the door opening angle to 90°:

- Open door to 90°.



- Insert the banking pin through the boreholes which are now vertically aligned and drive in with a hammer.

31. Changing the door spring



- Rotate the adjusting screw with a cross-head screwdriver.
I = maximum spring tension
0 = no spring tension

Installation of the appliance is now complete.

Sommaire

Avant de commencer 46

Options d'installation 47

Unité individuelle 47

Côte à côte 47

Appareils individuels avec séparation 47

A l'extrémité des cuisines intégrées 47

Lieu d'installation 48

Local d'installation 48

Cavité d'installation 48

Meubles/Appareillages électriques 48

Sol 49

Raccordement à l'alimentation électrique 49

Procédure additionnelle de mise à la terre 50

Instructions de raccordement à la terre 50

Raccordement de l'eau 50

Dimensions d'installation 51

Installation individuelle 51

Installation côte à côte 52

Le raccordement de l'eau 53

Dimensions de l'appareil 54

Appareil de 18" (Congelateur/Congélateur
avec une distributeur de glaçons et d'eau) 54

Appareil de 18" (Cave à vin) 55

Appareil de 24" (Réfrigérateur/Congelateur/
Congélateur avec une distributeur
de glaçons et d'eau) 56

Appareil de 24" (Cave à vin) 57

Appareil de 30" (Réfrigérateur/Congelateur/
Congélateur avec une distributeur
de glaçons et d'eau) 58

Accessoires et outillage requis 59

Accessoires fournis 59

Accessoires en option 59

Autres accessoires requis
de fournisseurs spécialisés 59

Outils 59

Autres 59

Instructions d'installation 60

A

1. Vérification de la cavité d'installation 60

2. Transport of the appliance 60

3. Enlèvement de l'emballage 61

4. Préparation du montage 61

5. Inversion du sens d'ouverture
des portes 62

6. Préparation de la cavité d'installation 64

7. Fixation d'un dispositif
anti-renversement alternatif 66

8. Préparation du raccordement de l'eau ... 67

9. Fixation du protège-bordures 67

10. Installation côte à côte 67

11. Pousser l'appareil dans la cavité
d'installation 68

B

12. Installation et alignement
de l'appareil 69

13. Fixation de l'appareil contre le sommet
de la cavité 70

14. Fixation de l'appareil individuel
contre les côtés de la cavité 71

15. Vérification de la mobilité du bandeau
protège-doigts 71

16. Raccordement de l'eau à l'appareil 72

C	17. Fixation du bandeau de socle	73
	18. Mise en service de l'appareil	74
	19. Préparation des portes de meubles	74
	20. Application d'une charge à la porte de l'appareil	76
	21. Fixation du rail d'ajustage contre la porte du meuble	76
	22. Fixation et alignement de la porte de meuble	77
	23. Fixation de la porte de meuble	78
	24. Fixation des brides inférieures	80

D	25. Fixation du bandeau protège-doigts	81
	26. Fixation des couvercles	81
	27. Alignement du distributeur de glaçons et d'eau	83
	28. Fixation des baguettes couvre-joints	84
	29. Montage du séparateur d'air	85
	30. Ajustage de l'angle d'ouverture de porte	85
	31. Changement du ressort de porte	86

Avant de commencer

Veillez lire ces instructions entièrement et avec attention.

AVERTISSEMENT

Le centre de gravité de cet appareil se trouve assez haut dans celui-ci. Il faut donc sécuriser l'appareil pour l'empêcher de basculer en avant. Une protection anti-renversement est nécessaire.

Maintenez les portes de l'appareil fermées jusqu'à ce qu'il ait été installé et sécurisé conformément aux instructions d'installation.

Vu le poids et la taille de l'appareil et pour réduire le risque de dommages corporels et d'endommagement du produit, **IL FAUT DEUX PERSONNES POUR RÉALISER L'INSTALLATION CORRECTEMENT.**

Cet appareil doit être correctement relié à la terre. Voir la section sur le «Raccordement à l'alimentation électrique», page 49.

Veillez n'utiliser cet appareil qu'aux fins pour lesquelles il a été prévu.

Réparez ou remplacez immédiatement les cordons d'alimentation électrique qui se sont usés ou sont endommagés.

Débranchez l'appareil ou ramenez le disjoncteur en position éteinte avant de nettoyer ou d'effectuer des réparations.

Les réparations sont réservées à un technicien qualifié du service après-vente.

ATTENTION

Aptitudes – Niveau – L'installation de cet appareil oblige à détenir des connaissances de bases en mécanique, en menuiserie et en plomberie.

La responsabilité d'une installation adéquate revient à l'installateur. Une défaillance du produit due à son installation incorrecte n'est pas couverte par la garantie dont bénéficie l'appareil.

Veillez vous reporter au manuel de l'utilisateur pour connaître les informations sur la garantie.

REMARQUE IMPORTANT

Veillez conserver ces instructions pour usage par l'inspecteur local. Veillez observer tous les règlements et ordonnances.

Remarque à l'intention de l'installateur –
Veillez bien à laisser les présentes instructions au client.

Remarque à l'intention du consommateur –

Veillez conserver les présentes instructions avec votre manuel de l'utilisateur. Ils vous permettront de vous y reporter ultérieurement.

Générale

Les présentes instructions d'installation sont destinées à être utilisées par des installateurs qualifiés. Tous les raccordements de l'eau, de l'électricité et à la terre doivent se conformer aux règlements et ordonnances locaux, ils doivent être réalisés par du personnel sous licence lorsque nécessaire. En l'absence de réglementation locale :

- Aux USA : en conformité avec le National Electric Code, ANSI/NFPA70 en son édition la plus récente, avec les règlements des États et municipaux et/ou les règlements locaux.
- Au Canada : en conformité avec le Code canadien de l'électricité C22.1 en son édition la plus récente, avec les règlements des provinces et municipaux et/ou les règlements locaux.



AVERTISSEMENT



AVERTISSEMENT – Cette mention précède une instruction assortie d'un danger de mort ou de blessures graves si vous ne respectez pas son contenu.



ATTENTION



ATTENTION – Cette mention précède une instruction assortie d'un risque de blessures légères ou de dégâts si vous ne respectez pas son contenu.

REMARQUE

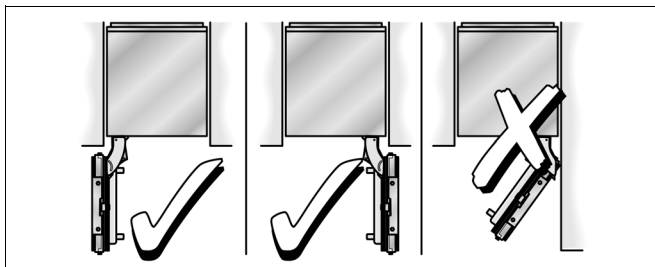
REMARQUE / REMARQUE IMPORTANT – Cette mention sert à attirer votre attention sur un aspect particulier.

Options d'installation

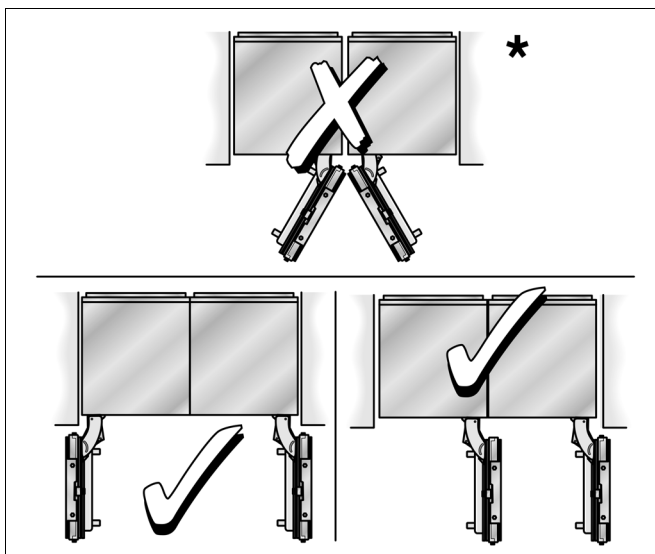
Il y a plusieurs options d'installation différentes.

Elles sont limitées seulement par l'agencement de votre cuisine et par la fonction du bandeau protège-doigts.

Unité individuelle



Côte à côte

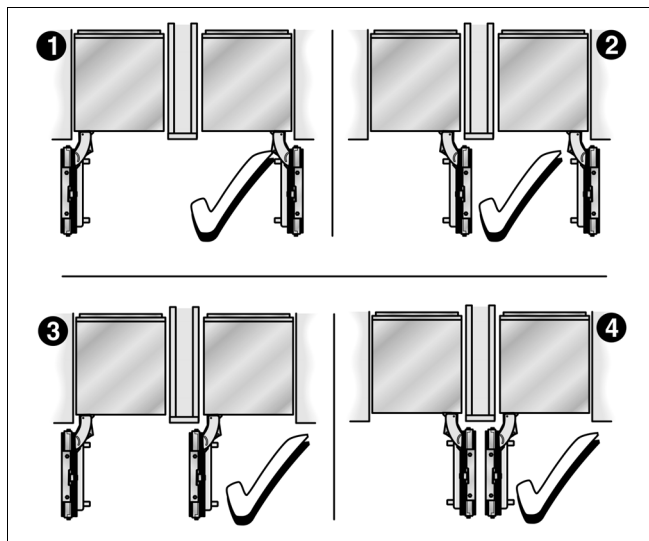


* Séparation requise

Lorsque vous installez deux appareils côte à côte, il faut utiliser le kit de jointoiement pour combinaison de base côte à côte afin d'assurer une connexion fiable.

Voir la section sur les « Accessoires en option », page 59.

Appareils individuels avec séparation



- Lorsque vous dimensionnez la séparation affectée à la configuration 4 ci-dessus, notez l'épaisseur de la façade des meubles pour empêcher des dégâts lors de l'ouverture simultanée des portes.
- Utilisez le kit de chauffage pour combinaison extrême, si l'espace vide entre les appareils est inférieur à 6" (160 mm).

Voir, à la page 59, la section consacrée aux « Accessoires en option ».

- Épaisseur minimum de la séparation $\frac{5}{8}$ " (16 mm).

A l'extrémité des cuisines intégrées

Si un côté de l'appareil est visible, il faudra utiliser un panneau latéral.

Le panneau latéral doit être fermement fixé contre le mur, le sol ou un placard / le appareillages situés au-dessus avant de placer l'appareil dans la cavité.

Pour dimensionner le panneau latéral, basez-vous sur les dimensions du panneau opposé formant la cavité. Pendant l'installation, veillez à ce que la cavité reste à angles droits et qu'elle ait la taille exacte.

Lieu d'installation

AVERTISSEMENT

N'installez pas cet appareil :

- en plein air,
- dans un environnement très humide,
- dans des pièces exposées au risque de gel.

L'appareil est très lourd. Pour connaître les poids à vide, reportez-vous au tableau suivant :

Réfrigérateur 24"	env. 310 lbs / 140 kg
Réfrigérateur 30"	env. 350 lbs / 158 kg
Congélateur 18"	env. 255 lbs / 115 kg*
Congélateur 24"	env. 300 lbs / 135 kg*
Congélateur 30"	env. 335 lbs / 150 kg*
Cave à vin 18"	env. 300 lbs / 135 kg
Cave à vin 24"	env. 360 lbs / 160 kg

(* sans distributeur d'eau)

Local d'installation

Il faudra installer l'appareil dans une pièce sèche et bien aérée.

La température ambiante ne doit pas descendre en dessous de 55 °F (13 °C) ni monter au-dessus de 110 °F (43 °C), faute de quoi l'appareil risque de mal fonctionner.

L'emplacement ne doit pas être directement exposé aux rayons solaires ou proche de sources de chaleur tels qu'une chaudière, un radiateur, etc. S'il n'y a pas moyen d'éviter une installation à proximité d'une source de chaleur, utilisez un panneau isolant approprié ou respectez les distances minimum suivantes par rapport à la source de chaleur :

- 1¹/₄" (30 mm) par rapport aux cuisinières électriques ou à gaz,
- 12" (300 mm) par rapport à un appareil de chauffage au fuel ou au charbon.

Cavité d'installation

Pour une installation sans incident de l'appareil et pour qu'ensuite la façade du meuble soit esthétique, il est important que la cavité d'installation ait bien les dimensions spécifiées.

Assurez-vous en particulier que la cavité présente des angles droits.

Vous pouvez le vérifier avec des moyens appropriés, par exemple un niveau à bulle, des mesures en diagonale, etc.

Les parois latérales de la cavité doivent être dans l'alignement.

L'épaisseur minimum des parois latérales et de la paroi formant le sommet doit s'élever à ⁵/₈" (16 mm).

L'épaisseur minimum du bandeau de socle doit être de ¹/₂" (13 mm).

Nous recommandons une épaisseur de ³/₄" (19 mm).

Meubles/Appareillages électriques

Le nouvel appareil est vissé de manière sûre contre des meubles / appareillages adjacents ou situés au dessus de lui.

Pour cette raison, il est essentiel que tous les meubles / appareillages soient fixés de manière sûre contre le sol ou le mur à l'aide de moyens appropriés.

Sol

AVERTISSEMENT	
Un appareil plein est très lourd. portance du sol, reportez-vous suivant :	
Réfrigérateur 24"	env. 890 lbs / 400 kg
Réfrigérateur 30"	env. 1110 lbs / 500 kg
Congélateur 18"	env. 560 lbs / 250 kg*
Congélateur 24"	env. 780 lbs / 350 kg*
Congélateur 30"	env. 950 lbs / 425 kg*
Cave à vin 18"	env. 550 lbs / 245 kg
Cave à vin 24"	env. 694 lbs / 310 kg
(* sans distributeur d'eau)	

Pour être sûr que l'appareil a été installé de façon sûre et qu'il fonctionne correctement, le sol doit être plat et horizontal.

Le sol doit être constitué d'un matériau dur et rigide.

La surface d'installation doit se trouver au même niveau que le reste de la pièce.

Compte tenu du poids élevé de l'appareil lorsqu'il est plein, il faut que le sol offre la portance nécessaire.

En cas de doute, contactez un architecte ou un expert en bâtiment.

AVERTISSEMENT	
Risque de choc électrique	
– Branchez la fiche mâle à 3 broches de l'appareil dans une prise à 3 orifices femelles reliée à la terre.	
– Ne retirez pas la broche de raccordement à la terre.	
– N'utilisez pas d'adaptateur.	
– N'utilisez pas de prolongateur.	
Le non-respect de ces instructions s'assortit d'un danger de mort, d'incendie ou de choc électrique.	

L'appareil est livré avec un cordon d'alimentation électrique à trois fils et figurant dans la liste UL aux USA.

Cet appareil requiert d'être raccordé à une prise femelle à trois fils.

L'installation de cette prise est une opération exclusivement réservée à un électricien agréé.

Cette prise doit être protégée par un fusible supportant un ampérage de 10 A à 16 A. Veuillez à ce titre respecter le tableau de correspondances suivant :

Appareil	Ampérage instantané maximal
Réfrigérateur 24"	2,0 ampères
Réfrigérateur 30"	2,0 ampères
Congélateur 18" (compris distributeur de glaçons)	3,5 ampères
Congélateur 24" (compris distributeur de glaçons)	4,0 ampères
Congélateur 30" (compris distributeur de glaçons)	4,5 ampères
Cave à vin 18"	2,0 ampères
Cave à vin 24"	2,0 ampères

Orientez la broche de terre vers le bas, comme le montrent les illustrations.

En ce qui concerne la position d'installation de la prise femelle, veuillez vous reporter à la section « Dimensions d'installation », page 51.

Raccordement de l'eau

Procédure additionnelle de mise à la terre

Certaines réglementations locales peuvent exiger un raccordement à part à la terre. En pareils cas, vous devrez acheter séparément les accessoires requis : le fil de terre, la bride et la vis.

Ne raccordez jamais l'appareil à des conduites en plastique, conduites de gaz ou conduites d'eau.

Instructions de raccordement à la terre

Cet appareil devra être relié à la terre. En cas de dysfonctionnement ou de panne, le raccordement à la terre réduit le risque de choc électrique en fournissant au courant un chemin de moindre résistance électrique.

AVERTISSEMENT

Un branchement incorrect du fil de raccordement à la terre peut occasionner un choc électrique. Si vous n'êtes pas sûr que l'appareil est correctement relié à la terre, faites-le vérifier par un électricien agréé ou un technicien du service après-vente.

ATTENTION

Ne raccordez l'appareil qu'à l'eau potable !

Il faut un raccordement à l'eau froide pour que le distributeur automatique de glaçons puisse fonctionner. La pression de l'eau doit être comprise entre 25 et 120 p.s.i. (1,72 et 8,25 bar).

Dans le cadre du raccordement de l'eau à l'appareil, il faut installer une vanne de fermeture séparée.

Cette vanne de fermeture ne doit pas se trouver derrière l'appareil. Il est recommandé de la placer directement à côté de l'appareil (unité de base) ou en tout autre endroit facile d'accès.

Lors du raccordement de l'eau, examinez les zones d'installation admises pour la conduite. En ce qui concerne les zones d'installation permises et les dimensions, reportez-vous à la section intitulée « Dimensions d'installation », page 51.

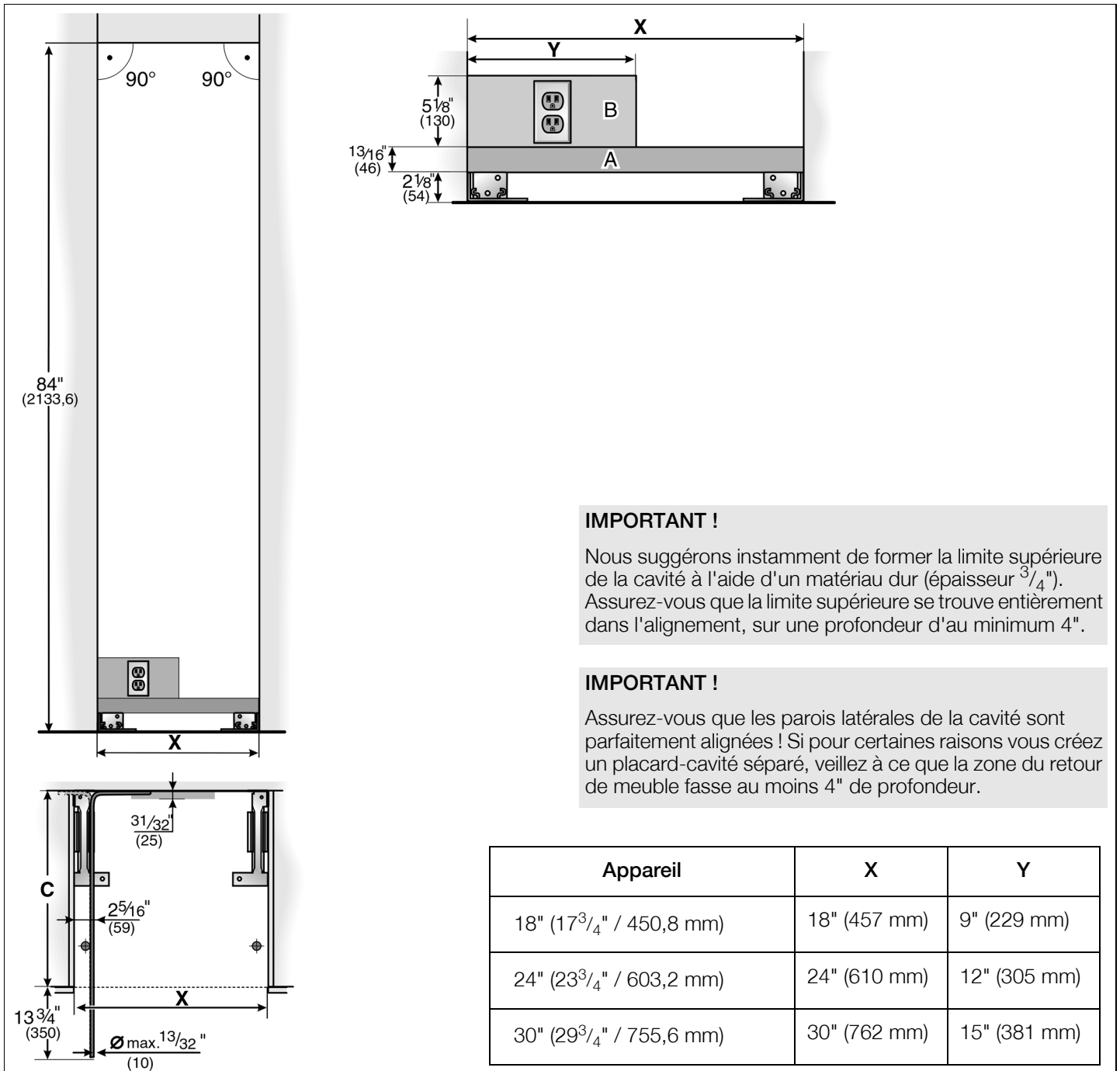
Il est possible de placer la conduite d'alimentation sur le côté droit (a), sur le côté gauche (b) ou en dessous (c).

Diamètre externe maximum de la conduite d'eau (sans les robinetteries) : $1\frac{3}{32}$ " (10 mm).

Fixez, à un endroit adapté et d'accès facile, une vanne de fermeture séparée affectée au raccordement de l'eau. N'utilisez jamais de vanne autotaraudeuse !

Dimensions d'installation

Installation individuelle



Légende :

A représente la zone où installer le raccordement de l'eau
 Nous recommandons de placer la boîte à eau à côté de la cavité d'installation de façon à pouvoir l'atteindre, lors d'activités de maintenance, sans devoir désinstaller l'appareil. Si ce n'est pas possible, placez la boîte à eau à côté de la prise d'alimentation électrique, à hauteur des zones A+B.

B représente la zone où installer le raccordement de l'électricité.

C profondeur d'ouverture de la cavité, ceci dépendant de la configuration de la cuisine.

C = 24" (610 mm) minimum

REMARQUE : La cavité doit être carrée. La paroi latérale de la cavité doit se trouver dans l'alignement.

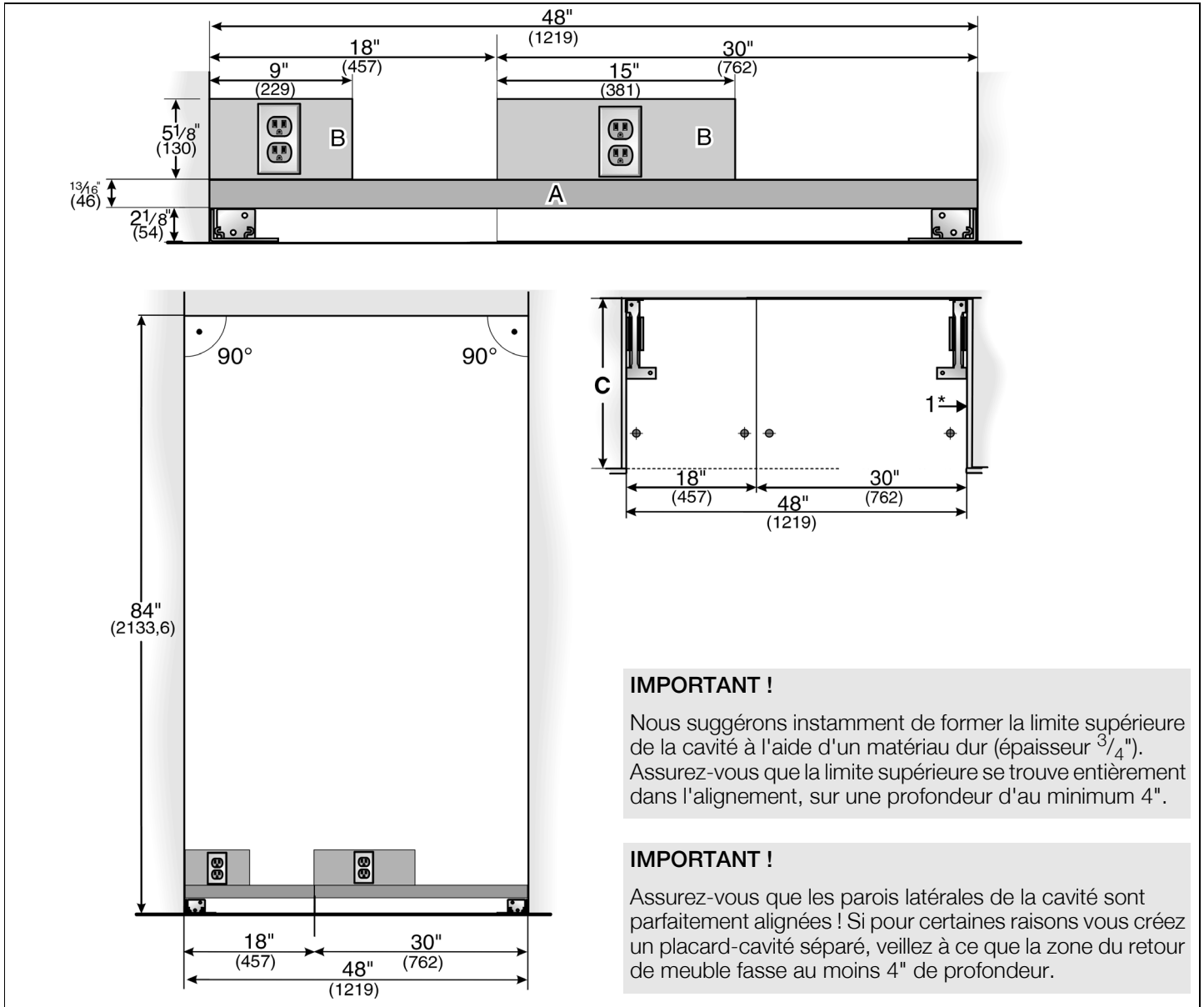
Installation côte à côte

Les dimensions de cavité mentionnées ci-dessus, afférentes à l'appareil respectif, s'appliquent à l'installation côte à côte de deux appareils.

La largeur totale de la cavité résulte de l'addition des deux largeurs de cavité indiquées pour les deux appareils.

Exemple :

Congélateur 18" / Réfrigérateur 30"



IMPORTANT !
 Nous suggérons instamment de former la limite supérieure de la cavité à l'aide d'un matériau dur (épaisseur $\frac{3}{4}$ "). Assurez-vous que la limite supérieure se trouve entièrement dans l'alignement, sur une profondeur d'au minimum 4".

IMPORTANT !
 Assurez-vous que les parois latérales de la cavité sont parfaitement alignées ! Si pour certaines raisons vous créez un placard-cavité séparé, veillez à ce que la zone du retour de meuble fasse au moins 4" de profondeur.

Légende :

A représente la zone où installer le raccordement de l'eau
 Nous recommandons de placer la boîte à eau à côté de la cavité d'installation de façon à pouvoir l'atteindre, lors d'activités de maintenance, sans devoir désinstaller l'appareil. Si ce n'est pas possible, placez la boîte à eau à côté de la prise d'alimentation électrique, à hauteur des zones A+B.

B représente la zone où installer le raccordement de l'électricité.

C profondeur d'ouverture de la cavité, ceci dépendant de la configuration de la cuisine.

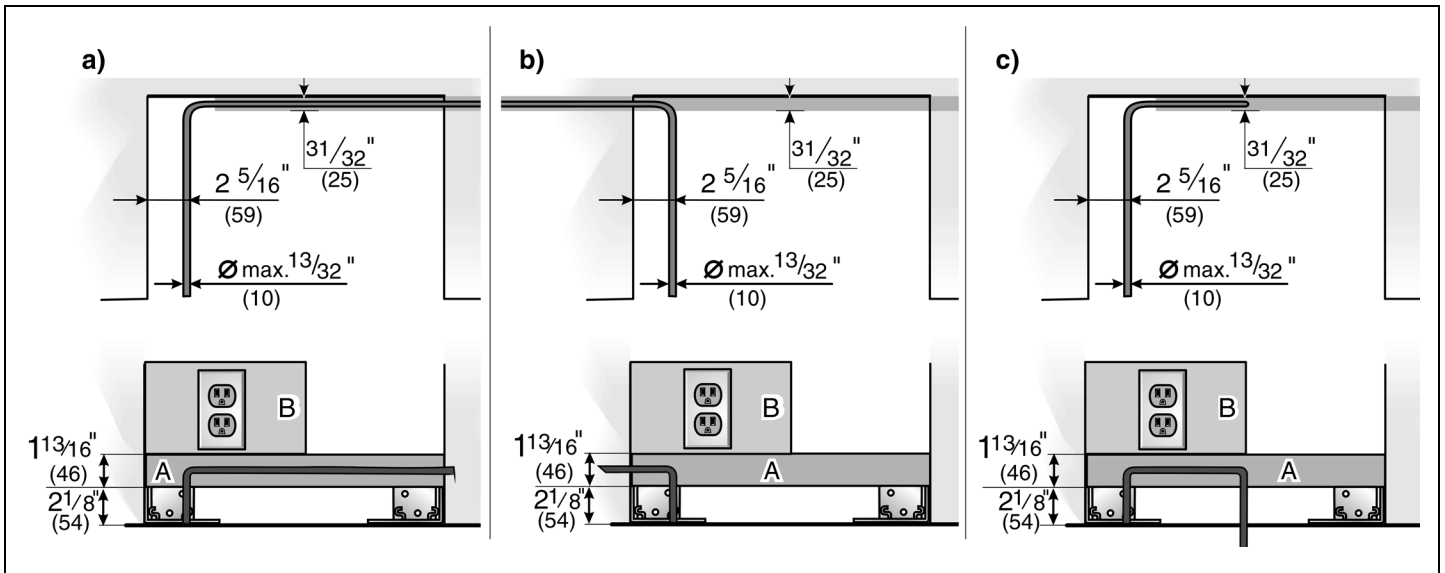
C = 24" (610 mm) minimum

REMARQUE : La cavité doit être carrée. La paroi latérale de la cavité doit se trouver dans l'alignement.

Le raccordement de l'eau

Il est possible de placer la conduite d'alimentation

- a) sur le côté droit (a),
 - b) sur le côté gauche (b)
- ou
- c) en dessous (c).

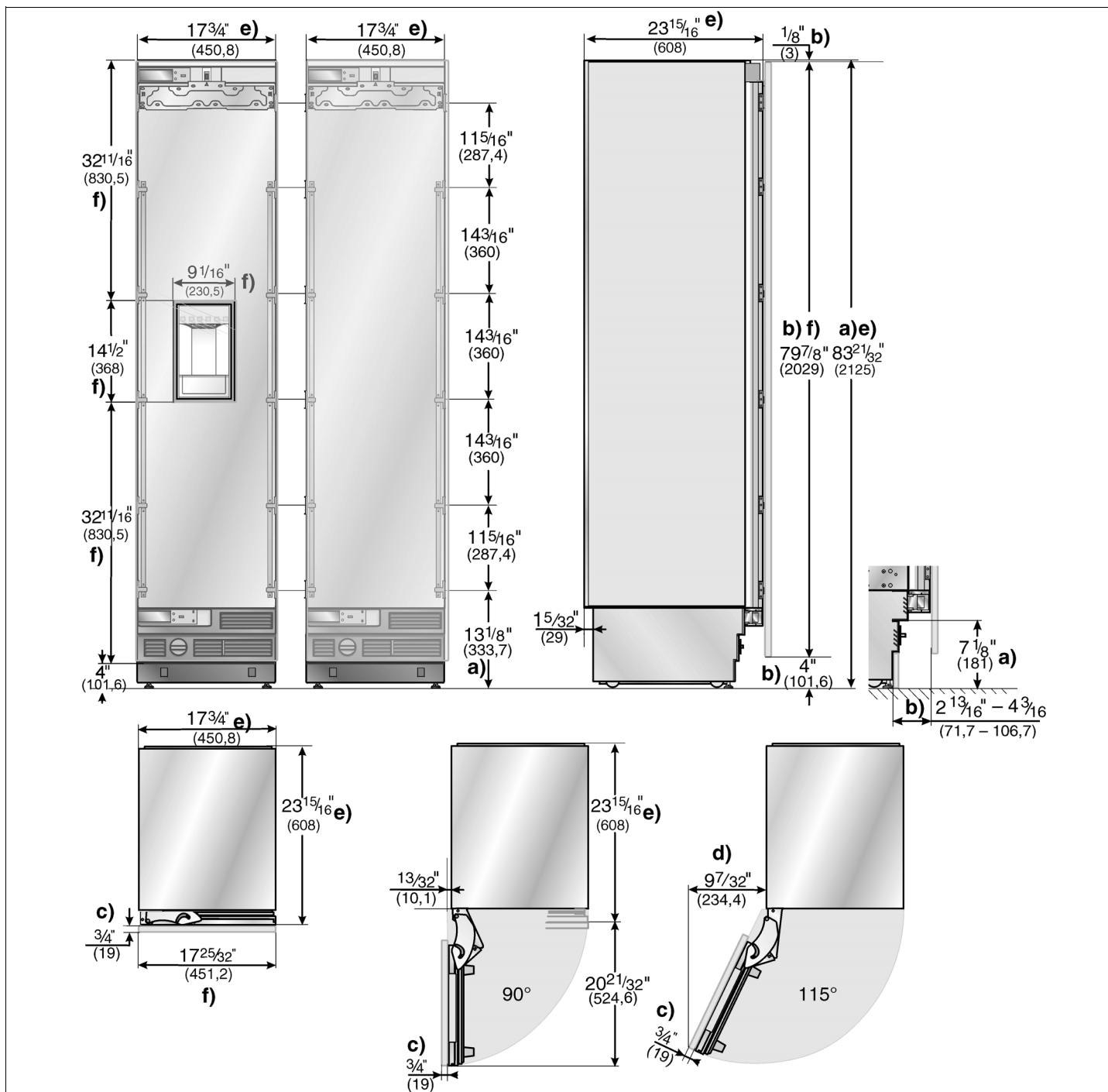


Légende :

- A** représente la zone où installer le raccordement de l'eau
- B** représente la zone où installer le raccordement de l'électricité

Dimensions de l'appareil

Appareil de 18" (Congelateur / Congélateur avec une distributeur de glaçons et d'eau)



Légende :

- a) Ajustage des pieds de nivellement entre $+1\frac{3}{8}$ " (35 mm) et $-1\frac{1}{2}$ " (13 mm).
- b) Les dimensions peuvent différer.
- c) L'épaisseur du panneau de porte peut différer.

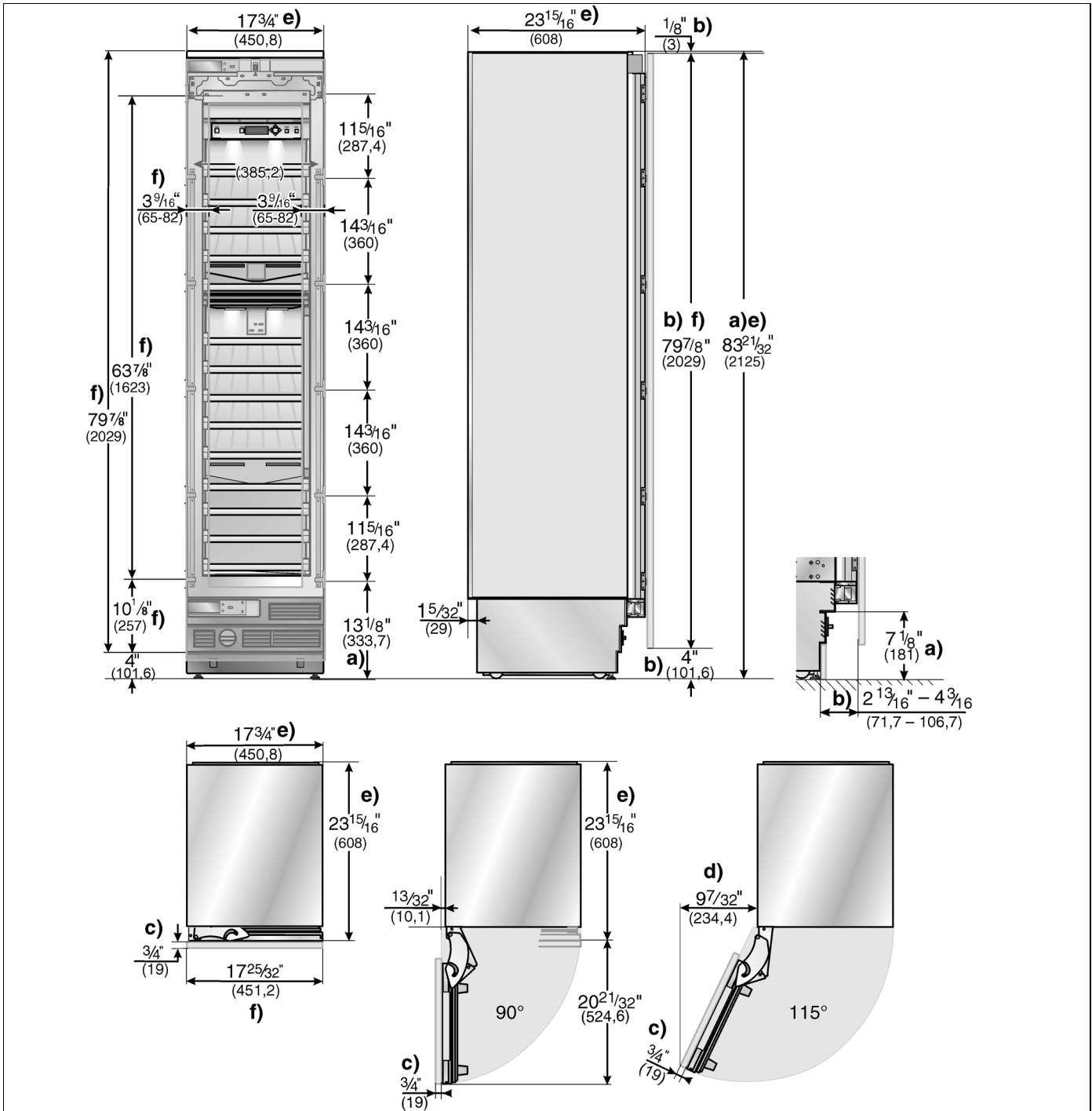
d) Cette dimension peut différer en fonction de l'installation, de l'épaisseur du panneau et du matériel équipant la cuisine.

e) Dimensions de l'unité.

f) Dimensions du panneau de porte.

Remarque : Les illustrations ne représentent qu'un style de panneau en bois.

Appareil de 18" (Cave à vin)



Légende :

- a) Ajustage des pieds de nivellement entre $+1\frac{3}{8}$ " (35 mm) et $-\frac{1}{2}$ " (13 mm).
- b) Les dimensions peuvent différer.
- c) L'épaisseur du panneau de porte peut différer.

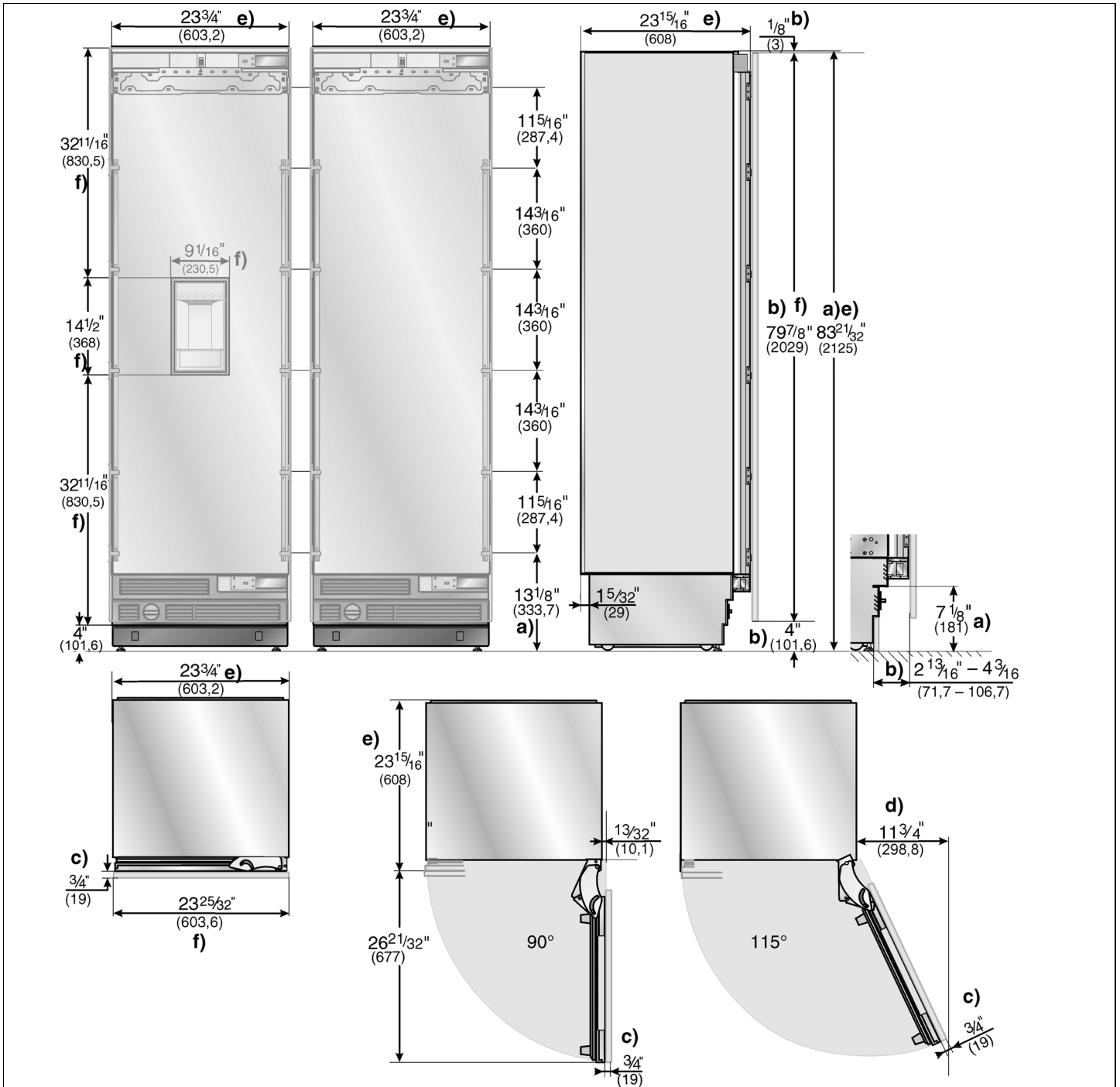
d) Cette dimension peut différer en fonction de l'installation, de l'épaisseur du panneau et du matériel équipant la cuisine.

e) Dimensions de l'unité.

f) Dimensions du panneau de porte.

Remarque : Les illustrations ne représentent qu'un style de panneau en bois.

Appareil de 24" (Réfrigérateur / Congélateur / Congélateur avec une distributeur de glaçons et d'eau)



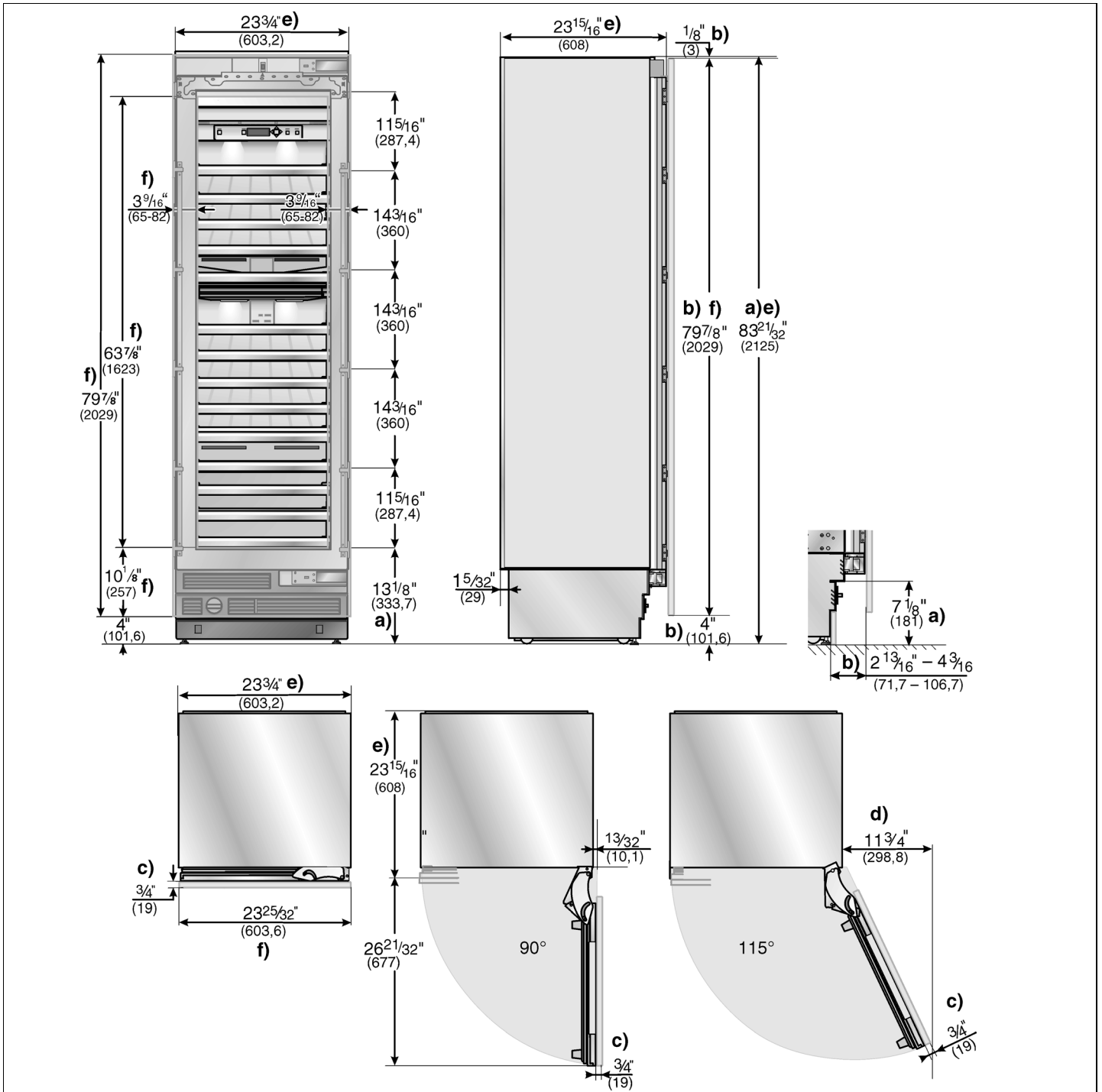
Légende :

- a) Ajustage des pieds de nivellement entre $+1\frac{3}{8}$ " (35 mm) et $-1\frac{1}{2}$ " (13 mm).
- b) Les dimensions peuvent différer.
- c) L'épaisseur du panneau de porte peut différer.

- d) Cette dimension peut différer en fonction de l'installation, de l'épaisseur du panneau et du matériel équipant la cuisine.
- e) Dimensions de l'unité.
- f) Dimensions du panneau de porte.

Remarque : Les illustrations ne représentent qu'un style de panneau en bois.

Appareil de 24" (Cave à vin)

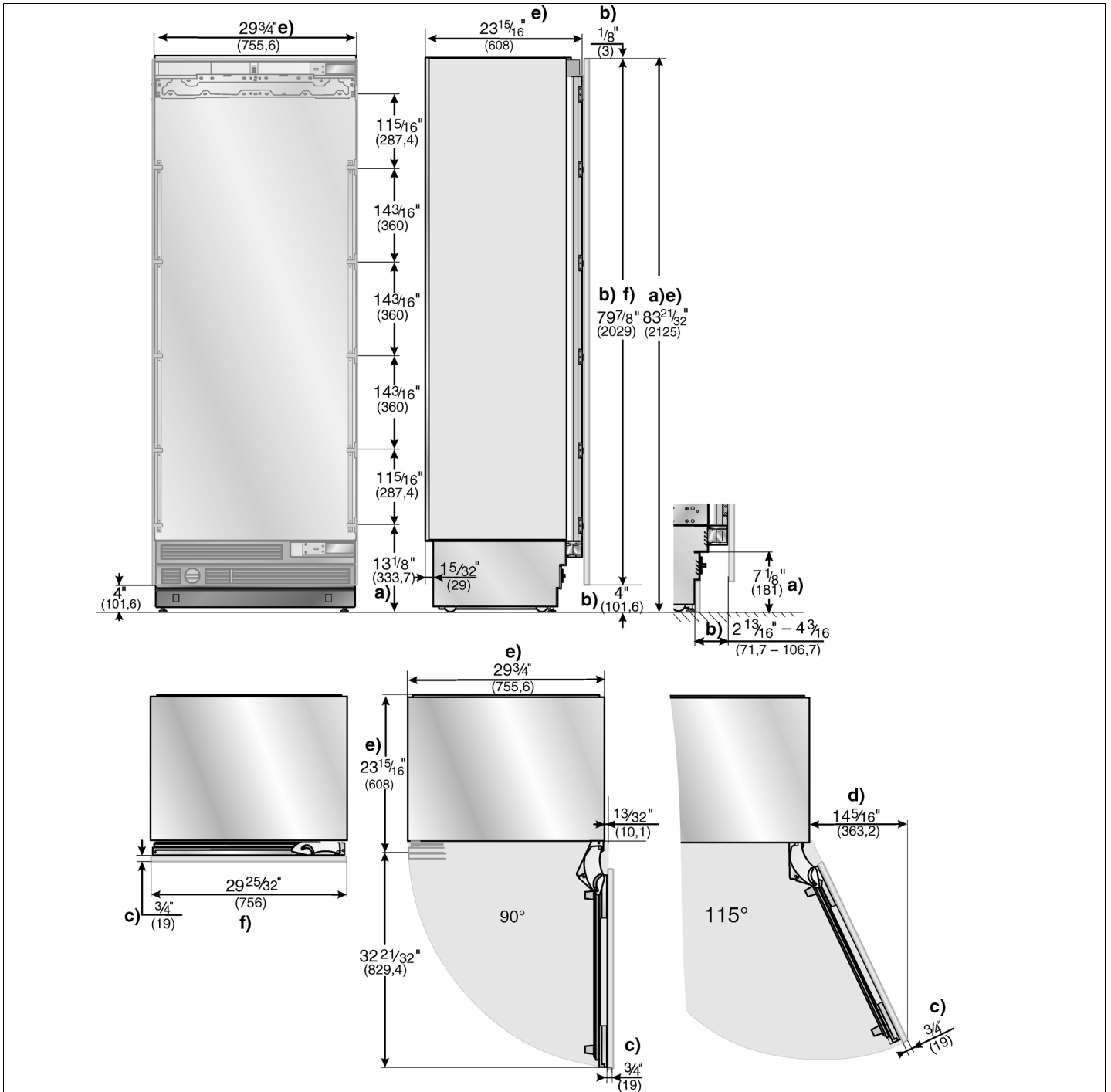


Légende :

- a) Ajustage des pieds de nivellement entre $+1\frac{3}{8}$ " (35 mm) et $-\frac{1}{2}$ " (13 mm).
- b) Les dimensions peuvent différer.
- c) L'épaisseur du panneau de porte peut différer.
- d) Cette dimension peut différer en fonction de l'installation, de l'épaisseur du panneau et du matériel équipant la cuisine.
- e) Dimensions de l'unité.
- f) Dimensions du panneau de porte.

Remarque : Les illustrations ne représentent qu'un style de panneau en bois.

Appareil de 30" (Réfrigérateur / Congélateur / Congélateur avec une distributeur de glaçons et d'eau)



Légende :

- a) Ajustage des pieds de nivellement entre $+1\frac{3}{8}$ " (35 mm) et $-\frac{1}{2}$ " (13 mm).
- b) Les dimensions peuvent différer.
- c) L'épaisseur du panneau de porte peut différer.

- d) Cette dimension peut différer en fonction de l'installation, de l'épaisseur du panneau et du matériel équipant la cuisine.
- e) Dimensions de l'unité.
- f) Dimensions du panneau de porte.

Remarque : Les illustrations ne représentent qu'un style de panneau en bois.

Accessoires et outillage requis

Accessoires fournis

- Instructions d'installation
- Instructions d'utilisation
- Kit d'installation

Accessoires en option

Kit de jointoiement pour combinaison de base côte à côte

Ce kit permet le raccordement permanent de deux appareils individuels, par exemple d'un congélateur à côté d'un réfrigérateur.

Kit de chauffage pour combinaison de base côte à côte

Si l'espace vide entre les appareils est inférieur à 6" (10 mm)

Pièce d'union des panneaux (bande métallique)

Elle sert à raccorder deux portes de meuble. Utilisable, sans autre travail préparatoire, avec les portes de meuble d'une hauteur standard.

Autres accessoires requis de fournisseurs spécialisés

Kit d'installation de distributeur de glaçons, conduite en cuivre de 1/4" de diamètre extérieur

Ce kit sert à raccorder les appareils qui ont besoin d'eau, par exemple pour alimenter un distributeur de glaçons.

Diamètre extérieur maximum de la conduite d'eau: (sans les robinetteries) : $1\frac{3}{32}$ " (10 mm).

Outils

- Visseuse sans cordon T20
- Tournevis Torx T20 (empreinte cruciforme)
- Embout Torx T20 + support magnétique
- Clé à pipe $\frac{5}{16}$ " (8 mm) pour écrou hexagonal
- Forets à bois de différentes tailles
- Clé à fourche, calibre SW 13 / $\frac{1}{2}$ "
- Pince multiprises
- Clé anglaise
- Cutter à lame ajustable
- Mètre à ruban
- Équerre
- Niveau à bulle de 2' (60 cm) et 4' (1,2 m)
- Niveau de marquage, longueur minimum 4' (1,2 m) en présence d'un appareil individuel ; ou de 7' (2,0 m) en cas d'installation côte à côte.

Autres

- Escabeau
- Socle mobile, diable brouette
- Perceuse à percussion pour percer des trous dans le mur ou le sol
- Forets adaptés aux matériaux et de différentes dimensions
- Madrier (section minimum 3" x 4") à titre de protection alternative contre le renversement, d'une longueur correspondant à la cavité d'installation
- Vis à bois de différentes tailles
- Matériau mince (au maximum $\frac{1}{16}$ " (1.5 mm)) pour protéger le revêtement de sol (en linoléum par exemple) contre les dégâts
- Matériau approprié pour recouvrir et protéger les meubles (par ex. feuilles protectrices).
- Ruban adhésif

REMARQUE

Avant l'utilisation, vérifiez si le ruban adhésif laisse des traces de colle sur les surfaces des pièces ! S'il en laisse, ne l'utilisez pas sur les surfaces de haute qualité.

Instructions d'installation

La notice de montage suivante décrit les étapes de montage pour différents types d'appareils :

- Unités de réfrigération
- Unités de congélation
- Unités de congélation avec distributeur de glaçons
- Unités de congélation avec distributeur de glaçons et d'eau
- Unités caves à vin

Pour cette raison et selon les circonstances, il peut arriver que le contenu des illustrations ne corresponde pas exactement avec les appareils réels.

La notice décrit les étapes de montage spécifiques à certains types d'appareils.

1. Vérification de la cavité d'installation

ATTENTION

Pour assurer une installation sûre et sans incident, et pour que la façade générale du mobilier offre une esthétique optimale, vérifiez avec soin si la cavité d'installation est conforme aux exigences d'installation.

- Vérifiez le sol.
Suivez les instructions figurant à la page 48 dans la section « Lieu d'installation ».
- Vérifiez la dimension de la cavité.
- Vérifiez que la cavité présente des angles droits.
- Vérifiez l'emplacement de la prise.
Respectez également les instructions figurant à la page 49, dans la section « Raccordement à l'alimentation électrique », ainsi qu'à la page 51, dans la section « Dimensions d'installation ».
- Vérifiez l'emplacement du branchement de l'eau (uniquement pour les appareils équipés d'un distributeur de glaçons).
Respectez également les instructions figurant à la page 50, dans la section « Raccordement de l'eau ». Vérifiez la fixation des meubles / appareillages adjacents. Toutes les pièces constitutives d'un meuble à proximité de l'appareil doivent être fixées de manière sûre contre le mur.
- Vérifiez que les meubles / appareillages adjacents n'entreront pas en collision (angle d'ouverture de porte).

2. Transport of the appliance

AVERTISSEMENT

L'appareil est très lourd !

Soyez prudent sinon les assistants risquent de se blesser ou l'appareil de s'endommager.

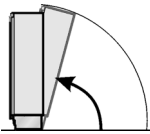

- Transportez l'appareil avec un moyen de transport approprié au lieu d'installation et à l'appareil (diable, chariot élévateur ou chariot à roulettes).
- Sécurisez l'appareil pour empêcher son renversement pendant le transport.

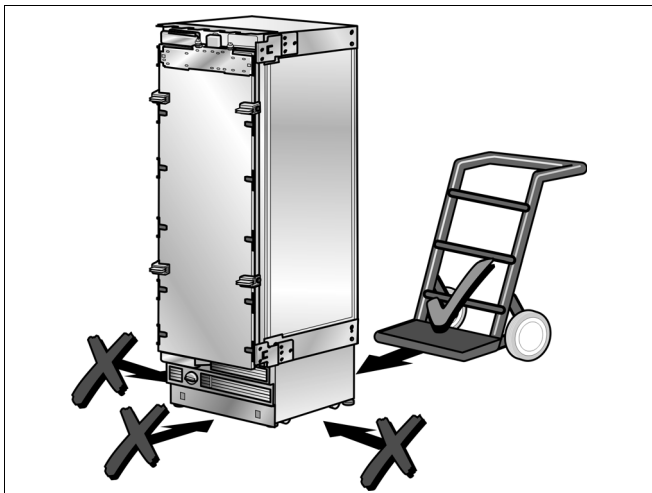
L'appareil fait 83²¹/₃₂" (2125 mm) de haut. Si le transport en position debout n'est pas possible du fait de la configuration du lieu, il est possible de le transporter couché.

ATTENTION

Ne soulevez pas l'appareil par les panneaux latéraux !
Risque d'endommagement !

Au moment de redresser l'appareil, respectez la hauteur minimum nécessaire sur le lieu d'installation, ainsi que le contenu du tableau suivant :

Redressement via le dos de l'appareil	Redressement via la paroi arrière de l'appareil
	
Hauteur minimum 86" / 2185 mm	Ne soulevez pas l'appareil par les panneaux latéraux !



- Déplacez l'appareil avec un transpalette, chariot élévateur ou un diable.

ATTENTION

Appliquez toujours le moyen de transport au dos de l'appareil. Ne le passez jamais sous l'avant ou sous un côté de l'appareil. Vous risquez sinon d'endommager l'appareil !

3. Enlèvement de l'emballage

AVERTISSEMENT

L'appareil risque de se renverser pendant son déballage.

L'appareil est très lourd.

Lorsque vous ouvrez la porte de l'appareil, ce dernier risque de basculer en avant.

Soyez prudent, sinon les personnes qui vous aident risquent de se blesser et l'appareil risque quant à lui de s'endommager.

Pour protéger le sol contre les dégâts pendant l'installation :

- Fixez un morceau de moquette, linoléum, etc., contre le sol, en face de l'emplacement d'installation prévu.
- Retirez l'emballage de transport :
 - Enlevez le carton. Utilisez le cutter avec prudence pour ne pas endommager les surfaces de l'appareil.
 - Enlevez les matériaux d'emballage.
 - Avec du ruban adhésif, fixez le cordon d'alimentation électrique contre le dos de l'appareil.

- Détachez la cale de transport et soulevez l'appareil de la palette – Attention, il est très lourd !
- Retirez les accessoires fixés contre l'extérieur de l'appareil.
- Conservez les rubans adhésifs avec lesquels les accessoires d'origine étaient fixés contre l'appareil. Ils serviront plus tard à fixer les protège-bords contre les parois de cavité (voir section 9.).
- Ouvrez prudemment l'appareil – Attention, il risque de se renverser – et retirez les accessoires ainsi que la quincaillerie de montage présente à l'intérieur. Refermez la porte.

ATTENTION

N'enlevez les cales de transport, servant à protéger les tiroirs et casiers de rangement dans l'appareil, qu'après avoir achevé l'installation, car ces pièces risquent sinon d'être endommagées.

- Vérifiez si l'appareil présente des dégâts dus au transport.

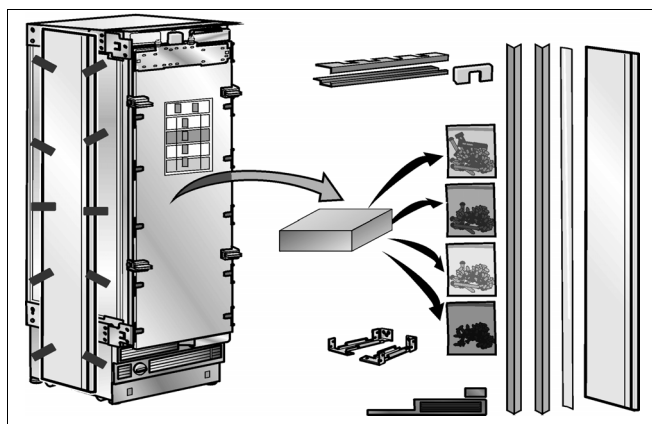
Si l'appareil présente des dégâts visibles, ne l'installez pas. En cas d'incertitudes, veuillez prendre contact avec le revendeur.

4. Préparation du montage

Déballez la quincaillerie de montage et les accessoires.

Afin que les étapes de travail se déroulent selon la bonne chronologie, les emballages comportent des mentions différentes.

Respectez au cours du travail la feuille récapitulative fixée contre l'appareil !



5. Inversion du sens d'ouverture des portes

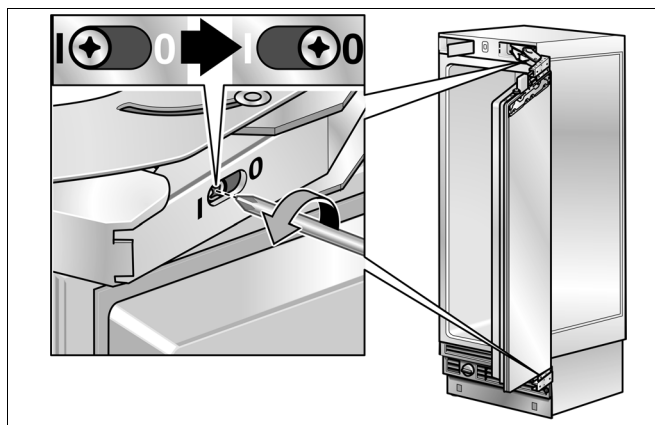
⚠ AVERTISSEMENT ⚠

Avant de travailler sur les charnières, détendez le ressort. **Risque de blessure !**

REMARQUE

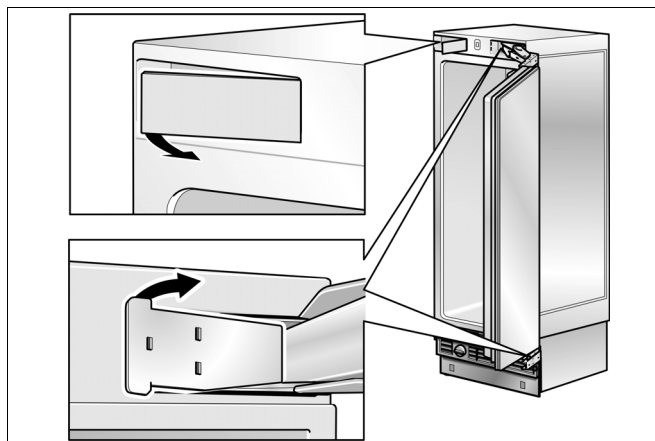
- S'il n'est pas nécessaire de changer le sens d'ouverture de porte, passez à l'opération de montage suivante.
- Sur les congélateurs équipés d'un distributeur de glaçons et d'eau, il n'est pas possible de changer le sens d'ouverture de porte.

Détendez le ressort de la charnière

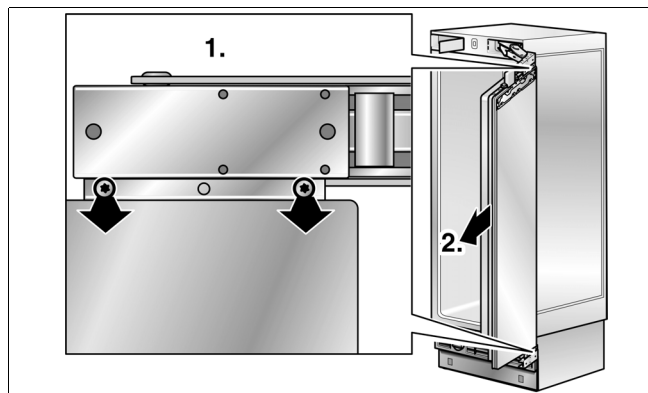


- Détendez le ressort sur la charnière. Desserrez la vis en l'amenant de 1 à 0.

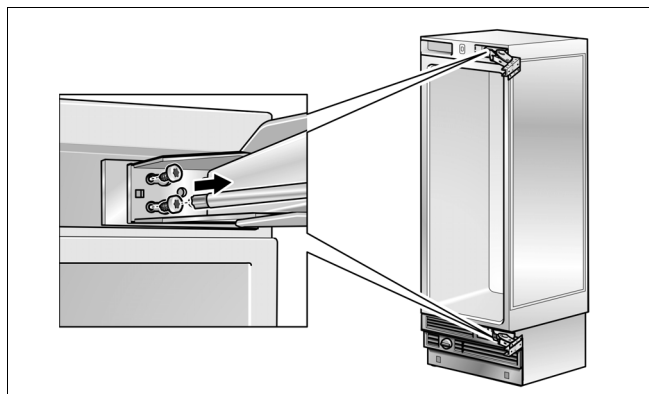
Inversion du sens d'ouverture de porte



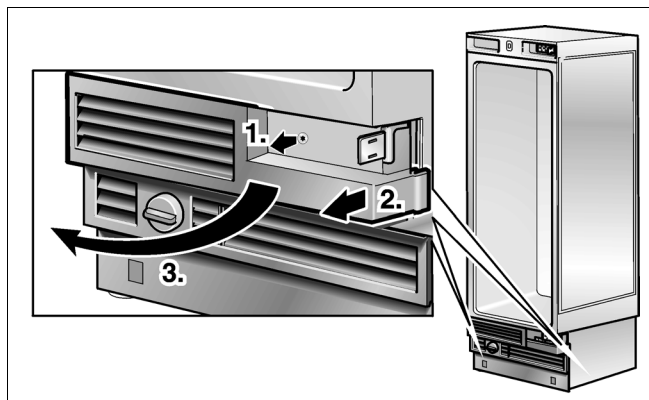
- Enlevez les couvercles des charnières.



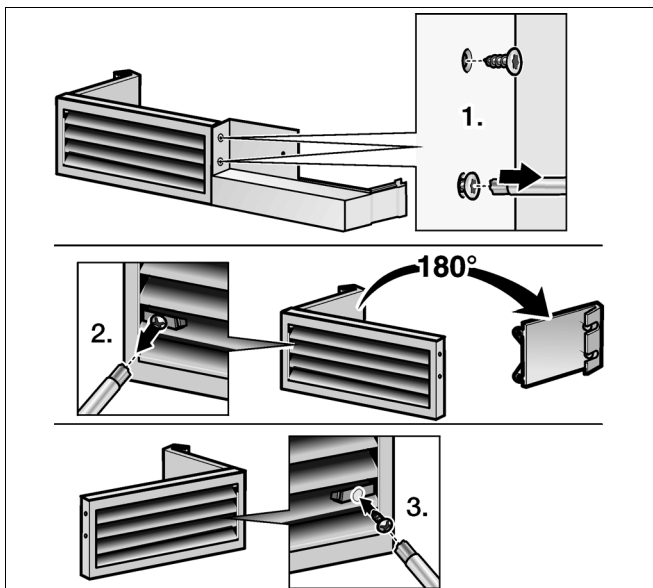
- Dévissez la porte.



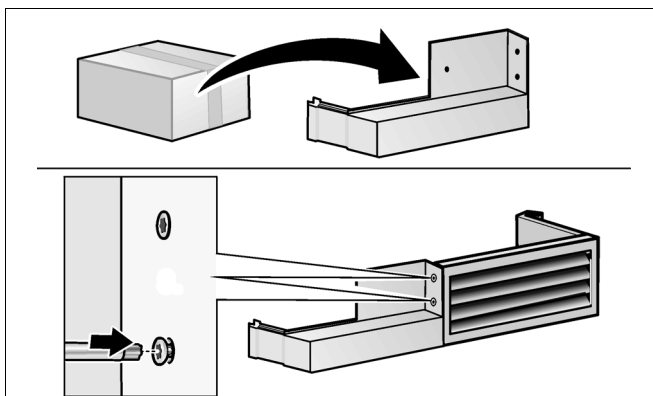
- Enlevez les charnières.



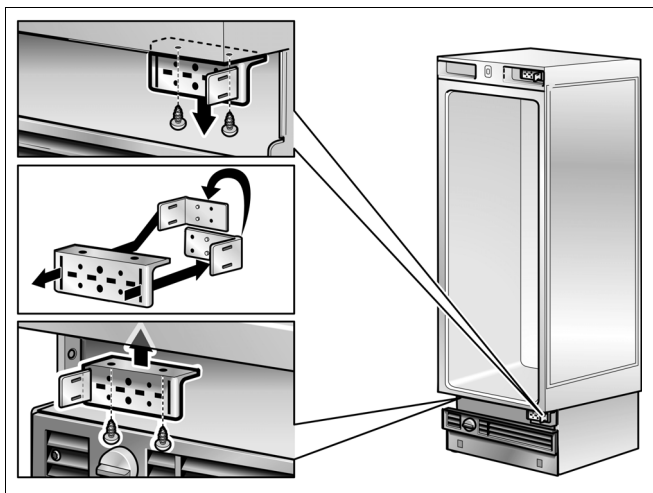
- Retirez la grille d'aération.



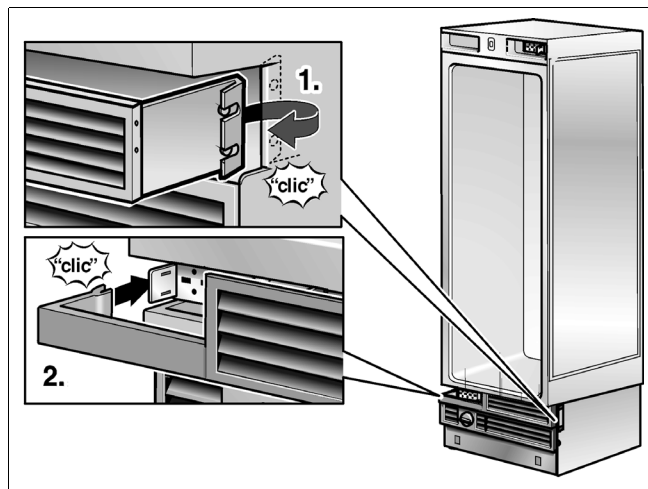
- Montez à nouveau la grille d'aération en tenant compte du nouveau sens d'ouverture de porte.



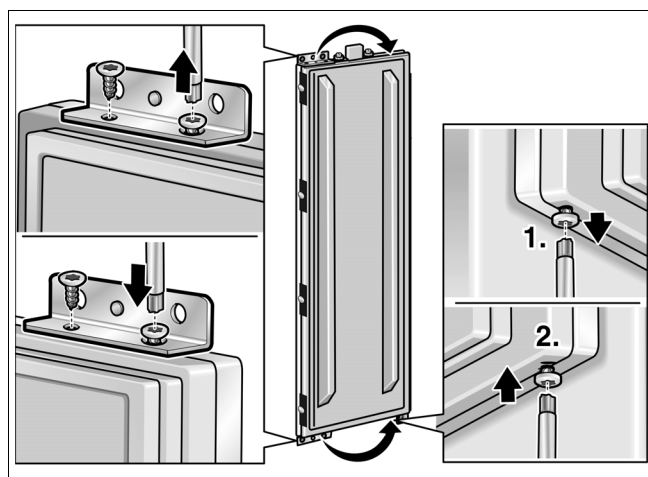
Pour adapter l'appareil au nouveau sens d'ouverture de porte, une pièce de rechange pour la grille d'aération a été livrée d'origine avec l'appareil.



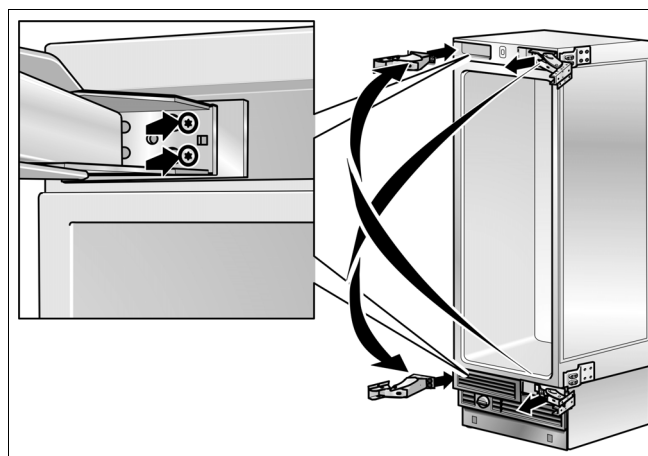
- Transférez les cornières de charnière de l'autre côté.



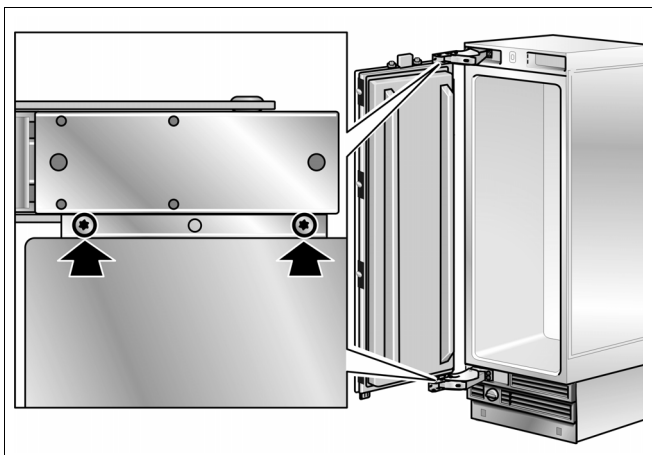
- Fixez la grille d'aération.



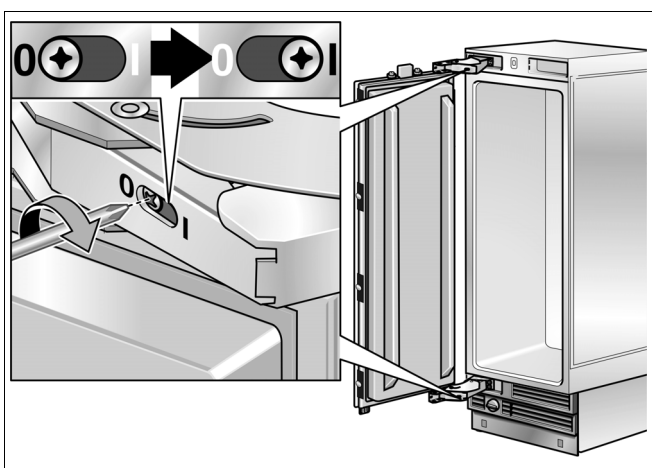
- Transférez de l'autre côté les pièces de fixation situées contre la porte.



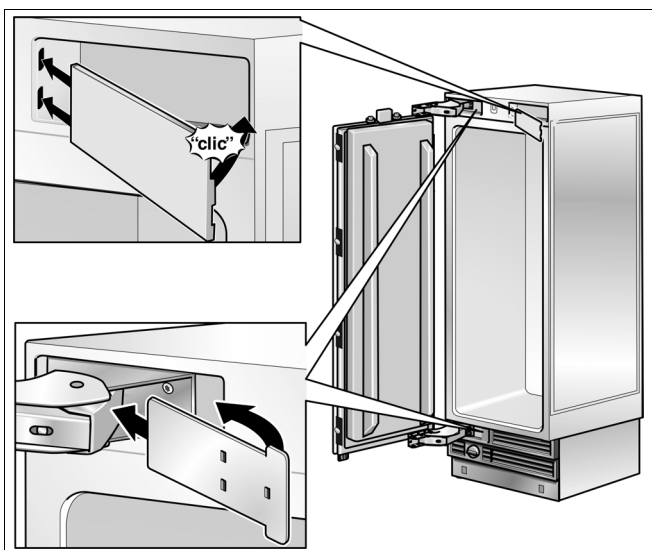
- Fixez les charnières sur l'appareil. Permutez les charnières selon un ordre croisé !

A

- Vissez la porte contre les charnières.



- Tendez le ressort de la charnière. Pour ce faire, amenez la vis de la position 0 sur la position I.



- Fixez les couvercles des charnières.

6. Préparation de la cavité d'installation



AVERTISSEMENT



Veillez à ce qu'il n'y ait aucun fil électrique ou conduite dans lesquels les vis risqueraient de pénétrer.

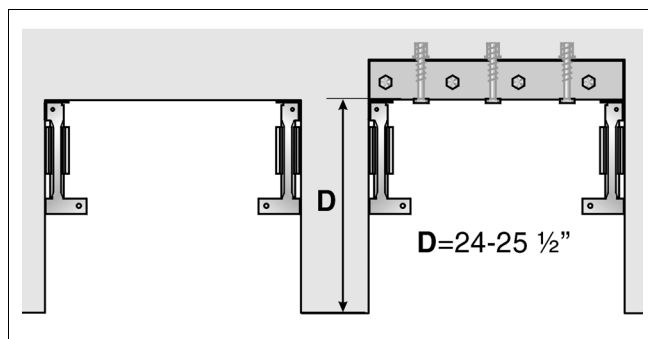
Risque de blessures et d'endommagement !

REMARQUE

- Il faut 2 brides anti-renversement pour chaque appareil ou combinaison d'appareils (côte à côte).
- Si possible, vissez toujours le madrier contre les tiges situées sur le panneau arrière de la cavité.
- Dans certains cas d'installation, le plancher ou le plancher fini pourront obliger à couder les vis à bois servant à fixer les brides anti-renversement contre le mur arrière.
- Le kit fournit contient des vis de fixation destinées à différentes applications. Sélectionnez les vis de fixation conformément aux conditions locales.
- Si les vis de fixation fournies ne permettent pas de fixer de manière sûre les brides anti-renversement, donc l'appareil, il faudra recourir à une autre méthode pour fixer les brides anti-renversement en toute sécurité.

- Déterminez les points de fixation des brides anti-renversement.

Déterminez les dimensions détaillées conformément à la section « Dimensions d'installation », en commençant à partir de la page 50.

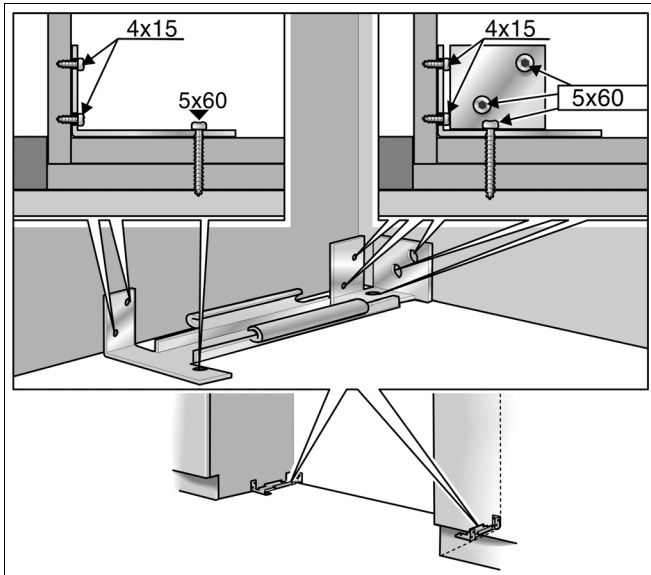


- Si la cavité d'installation est plus profonde que l'appareil, placez un madrier derrière les brides anti-renversement et fixez de manière sûre contre le sol ou le mur.

La longueur du madrier est égale à la largeur de la cavité d'installation. Dans la mesure du possible, vissez toujours le madrier contre la paroi arrière de la cavité.

Application sur plancher en bois

Utilisez les vis à bois fournies avec l'appareil, voir la vue d'ensemble « Utilisation des vis provenant du jeu de vis ».



- Percez des trous de guidage :

De $\frac{1}{8}$ " (3 mm) pour les vis à bois faisant 5x60 mm.
De $\frac{5}{64}$ " (2 mm) pour les vis à bois faisant 4x15 mm.

Assurez-vous que les vis traversent bien le plancher et pénètrent d'au minimum $\frac{3}{4}$ " (19 mm) dans le panneau mural.

- Fixez complètement la bride anti-renversement. Assurez-vous que les vis tiennent fermement.

Application sur sol en béton



AVERTISSEMENT



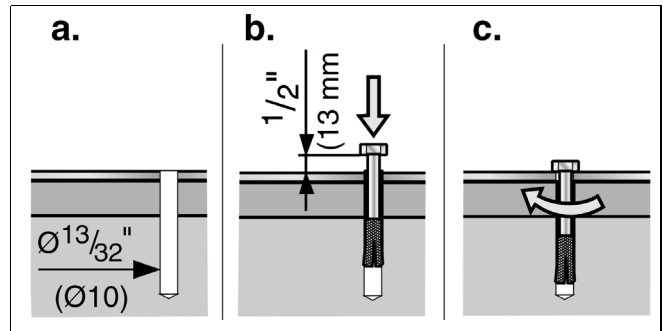
Portez toujours des lunettes enveloppantes ou d'autres dispositifs et équipements de protection nécessaires lorsque vous installez des ancrs ou travaillez avec des ancrs. **Risques de blessures !**

Ancres déconseillées dans la maçonnerie légère ou dans des matériaux tels que les parpaings ou les briques.

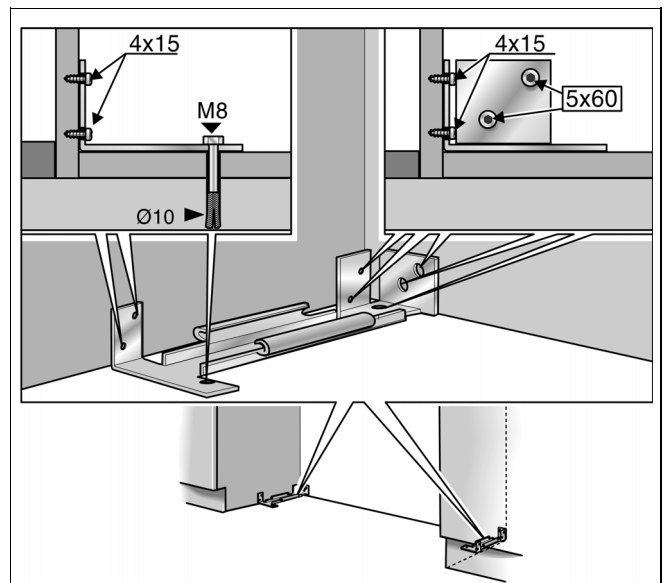
Ancres déconseillées dans le béton neuf qui n'a pas encore eu le temps de prendre.

N'utilisez pas de foret à carotte pour percer les trous préparatoires à la pose de cette ancre.

Utilisez une ancre M8 à béton et une vis M8 à béton. A titre d'utilisation additionnelle, des vis à bois accompagnent l'appareil, voir la vue d'ensemble « Utilisation des vis provenant du jeu de vis ».



- Percez un trou de $\frac{13}{32}$ " (10 mm) de diamètre, d'une profondeur quelconque dépassant la longueur d'ancrage minimum. Utilisez le foret fourni.
- Nettoyez le trou ou continuez de percer un peu plus profond.
- Vissez la vis à la main dans la cheville, jusqu'à ce qu'une légère résistance se manifeste.
- Enfoncez la vis avec la cheville dans le trou, jusqu'à ce que la tête de la vis se trouve à env. $\frac{1}{2}$ " (13 mm) de la bride anti-renversement.



- Serrez la vis à fond.
- Utilisez en plus les vis à bois livrées d'origine (si la surface support le permet).

7. Fixation d'un dispositif anti-renversement alternatif

REMARQUE IMPORTANTE

S'il n'est pas possible de fixer les brides anti-renversement de manière sûre, vous pouvez fixer un dispositif anti-renversement alternatif. Toutefois, veillez à ce qu'il n'y ait pas de jeu entre l'appareil et le dispositif anti-renversement.

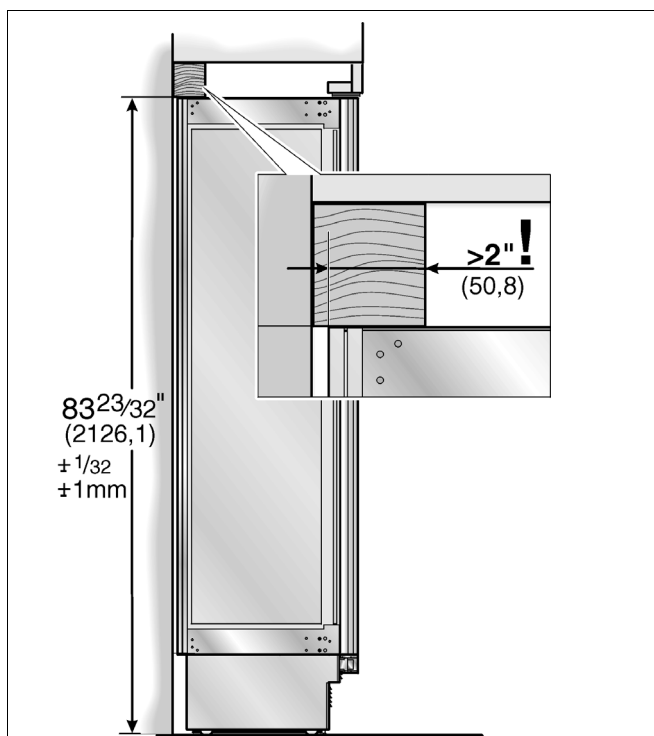
Si possible, vissez toujours le madrier contre les tenons préexistants situés sur le panneau arrière de la cavité.

- Sciez le madrier (section minimum 3" x 4") à la longueur requise.

La longueur est égale à la largeur de la cavité d'installation !

REMARQUE

- Si la cavité d'installation est plus profonde que l'appareil, sélectionnez un madrier qui présente une plus forte section ou fixez 2 madriers l'un contre l'autre.
- Le madrier doit recouvrir l'appareil sur au moins 2" (50,8 mm).



- Sur le panneau arrière de la cavité, marquez la hauteur de l'installation (bord inférieur du madrier).

- Sélectionnez les vis conformément à l'épaisseur du madrier : longueur = 2,5 min. x épaisseur du madrier, diamètre #12 ou #14.

REMARQUE

Déterminez le nombre de vis en fonction de la largeur de la cavité, en veillant à ce que la poutre puisse être fixée de manière sûre.

- Localisez les montants du mur près du panneau arrière de la cavité et marquez les emplacements des trous dans le madrier.
- Percez des trous préparatoires dans le madrier.
- Fixez le madrier contre le panneau arrière de la cavité.

8. Préparation du raccordement de l'eau

(seulement pour les appareils qui requièrent un raccordement à l'eau courante).

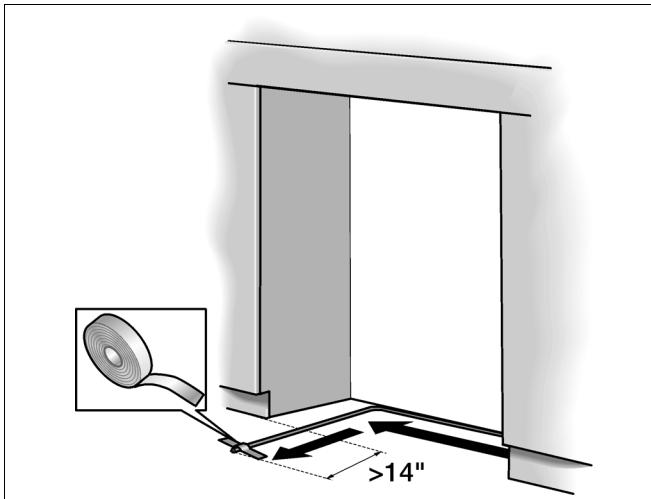


ATTENTION



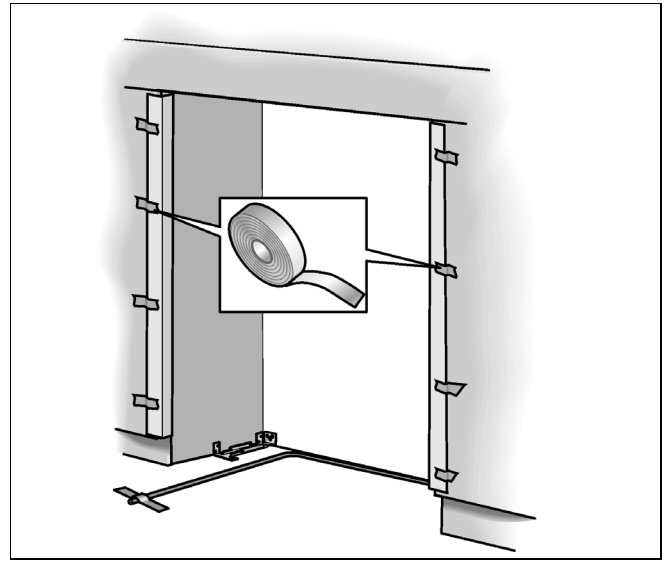
Refermez le robinet d'eau principal pour empêcher que l'eau, en fuyant, ne provoque des dégâts.

- Branchez la conduite de raccordement contre la vanne de fermeture en respectant les instructions fournies par le fabricant du kit destiné à l'installation du distributeur de glaçons.
- Installez la conduite de raccordement. Respectez toujours les dimensions spécifiées pour l'espace libre, ceci pour empêcher d'endommager la conduite de raccordement lorsque vous poussez l'appareil.



- Fixez la conduite de raccordement contre le plancher à l'aide de ruban adhésif.

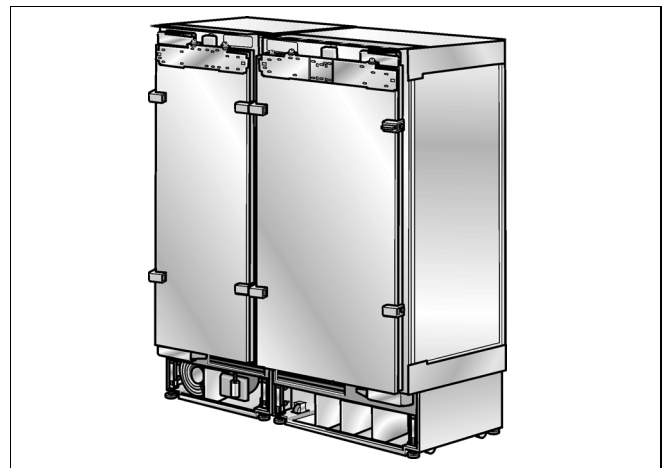
9. Fixation du protège-bordures



Pour protéger les angles de la cavité, fixez les cornières de protection dans ces angles à l'aide de ruban adhésif.

10. Installation côte à côte

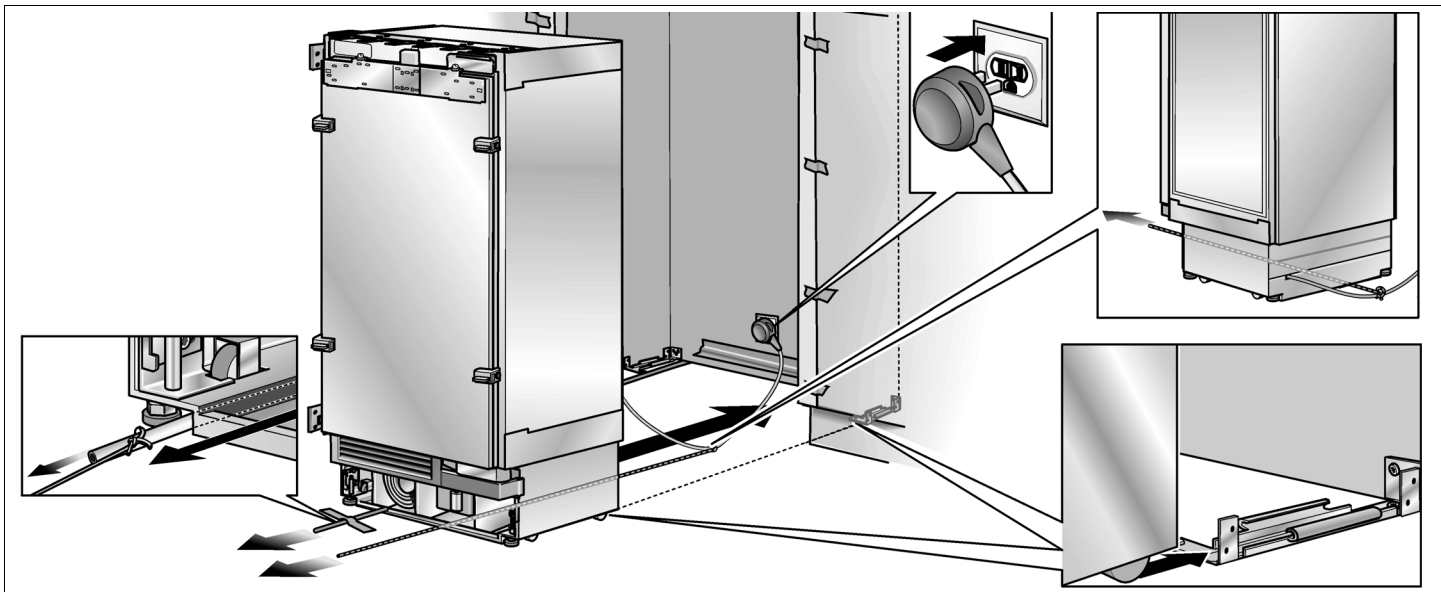
Si vous prévoyez une installation côte à côte, il faut relier maintenant les deux appareils l'un avec l'autre.



Veillez vous reporter au manuel de installation pour connaître les informations sur la Installation côte à côte.

Les étapes de travail suivantes devront être réalisées de façon analogue sur les deux appareils reliés entre eux.

11. Pousser l'appareil dans la cavité d'installation



ATTENTION



Prudence lorsque vous poussez l'appareil dans la cavité d'installation. Veillez bien à ne pas endommager la conduite d'eau ou le cordon d'alimentation électrique fixé contre le sol.

REMARQUE

Si le plancher ou l'appareil n'est pas horizontal par rapport à la cavité d'installation, ajustez les roues réglables en hauteur avant d'introduire l'appareil dans la cavité d'installation.

- Branchez la fiche mâle dans la prise de courant.

REMARQUE

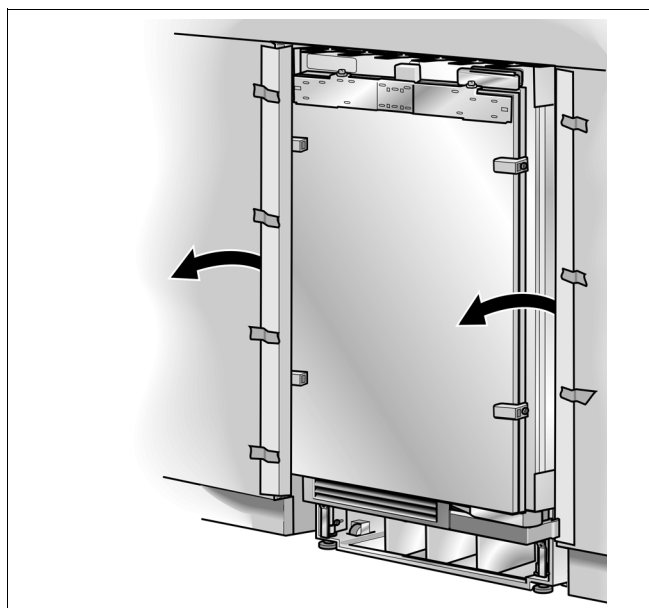
En présence d'appareils côte à côte, il faudra utiliser deux prises, une pour chaque appareil.

- Veillez à ne pas coincer ni pincer le cordon d'alimentation électrique.
- Fixez une cordelette au milieu du cordon d'alimentation électrique et faites le passer sous l'appareil. Continuez de tirer le cordon au fur et à mesure que vous enfoncez l'appareil.

Ou bien

Prenez du ruban adhésif, collez le cordon d'alimentation électrique contre le plancher, au centre derrière l'appareil, à env. 15" (380 mm) du panneau arrière de la cavité.

- Poussez doucement l'appareil dans la cavité jusqu'à ce que la roue réglable en haute se verrouille avec les brides anti-renversement.



- Enlevez le dispositif de protection des angles.

12. Installation et alignement de l'appareil



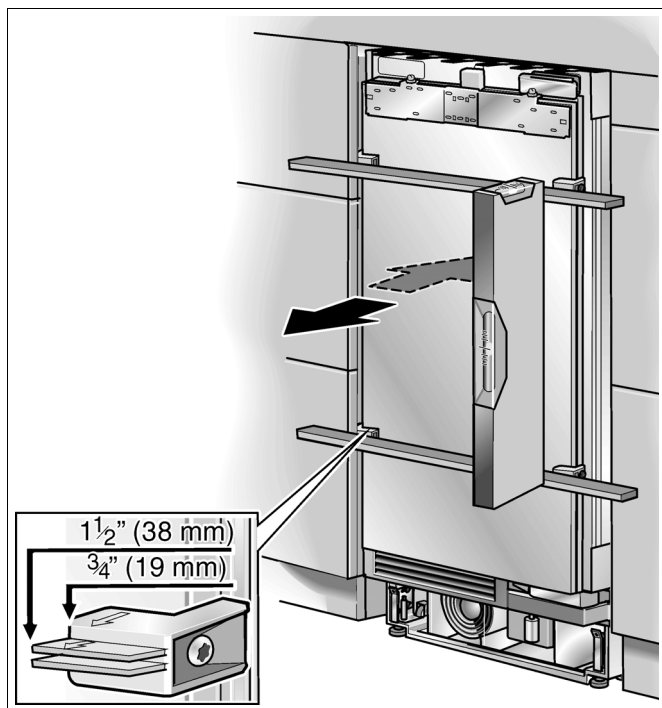
ATTENTION



Ne le utilisez jamais avec une visseuse sans cordon. Vous risquez sinon d'endommager l'appareil !

REMARQUE

- Ne voilez pas ni ne poussez pas l'appareil de force dans la cavité ! Lorsque vous dévissez les pieds réglables en hauteur, procédez graduellement : alternez en permanence entre les côtés gauche et droit, gauche et droit, etc.
- Si vous délestez l'arrière de l'appareil, l'ajustage de ses pieds arrière réglables est plus facile.
- Si vous utilisez un madrier à titre de dispositif alternatif anti-renversement selon la section 7. de ce manuel d'installation, faites tourner l'appareil tout le long en direction du madrier.



- Alignez l'appareil sur la façade des meubles.

Placez le niveau à bulle sur les règles situées sur la porte et servant d'aide à l'installation.

Ces pièces d'aide à l'installation ont été conçues pour des portes de meuble faisant l'épaisseur totale suivante :

- $\frac{3}{4}$ " (19 mm)
- $1\frac{1}{2}$ " (38 mm)

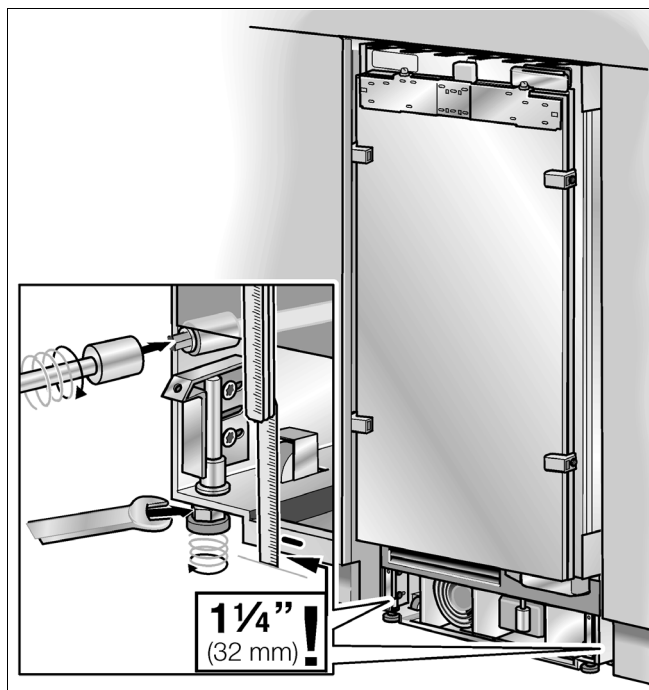
Tenez toujours compte de l'épaisseur, peut-être différente, des façades de meuble qui devront être installées par la suite.

Les pieds réglables en hauteur équipant l'avant et l'arrière de l'appareil se laissent régler depuis l'avant de l'appareil.

Avant : A l'aide d'une clé à fourche $\frac{1}{2}$ " (calibre SW13)

Arrière : A l'aide d'un tournevis à douille $\frac{5}{16}$ " (8 mm) via une queue flexible.

A titre de cote de référence pour l'ajustage en hauteur, une marque a été apposée contre la base de l'appareil. Lors de l'ajustage, il faudra amener cette marque sur une hauteur de $1\frac{1}{4}$ " (32 mm) au-dessus du sol.



- Dévissez les pieds réglables en hauteur jusqu'à ce que la marque sur la base/le sol a atteint la dimension guide indiquée ($1\frac{1}{4}$ " / 32 mm).

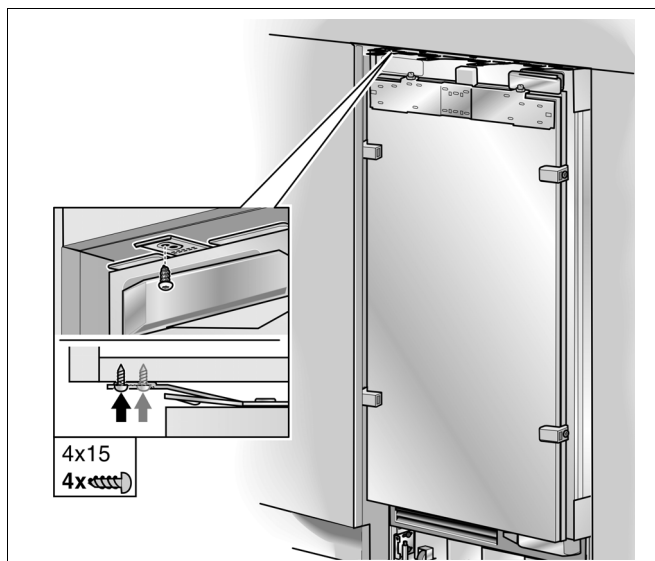
REMARQUE

Il est très important de respecter cette dimension pour pouvoir ensuite aligner les façades des meubles.

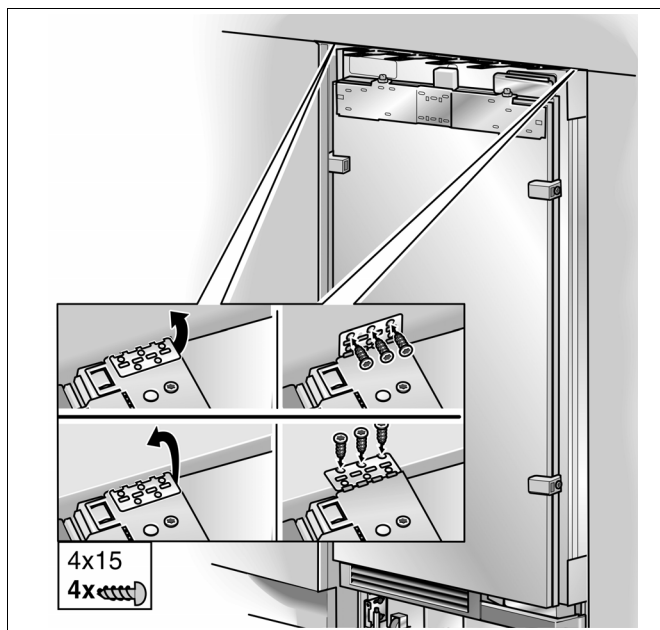
- Aalignez les façades des meubles à l'aide d'un niveau à bulle.

13. Fixation de l'appareil contre le sommet de la cavité

B



- Vissez les pattes de fixation (en haut) contre le meuble/ les appareillages du dessus.

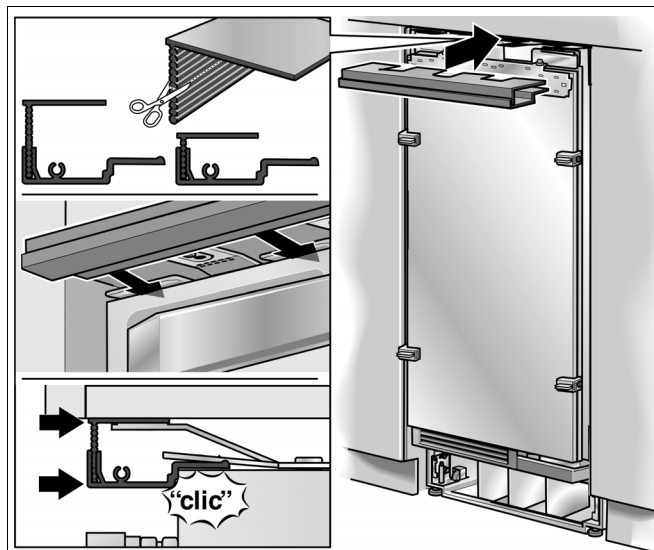


- Fixez les pattes de fixation latérales (en haut) en fonction des conditions d'installation.

REMARQUE

S'il n'y a pas d'interstice ou seulement un interstice étroit, il n'est pas nécessaire de fixer les pattes latérales.

- En présence d'une cavité assez importante au dessus de l'appareil, montez impérativement un madrier aux dimensions adaptées et sans jeu au dessus de l'appareil.

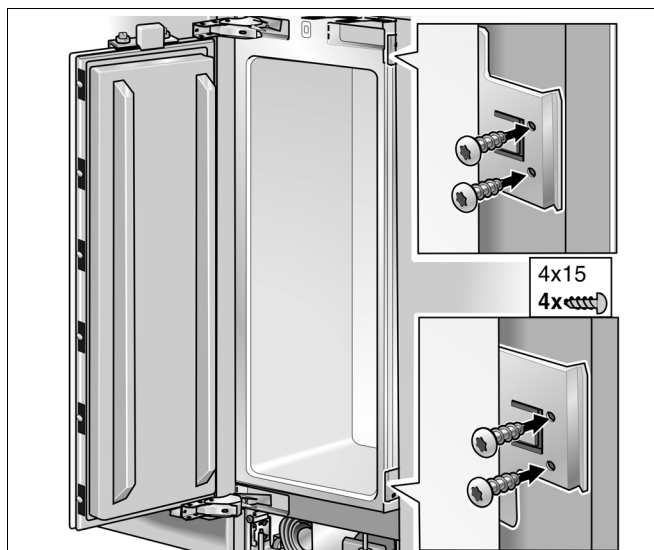


- Fixez le bandeau de recouvrement contre la plaque de fixation (en haut). Raccourcissez la bande d'ajustage à la hauteur voulue !

REMARQUE

Dans un montage côte à côte, reliez les deux profilés de recouvrement à l'aide des boulons compris dans les accessoires nécessaires en cas d'installation côte à côte.

14. Fixation de l'appareil individuel contre les côtés de la cavité



- Vissez les pattes de fixation (latérales) contre le meuble/ les appareillages adjacents (uniquement dans le cas d'un appareil individuel).

REMARQUE

Dans un montage côte à côte, cette étape de montage. Ces pièces sont démontées.

15. Vérification de la mobilité du bandeau protège-doigts

REMARQUE

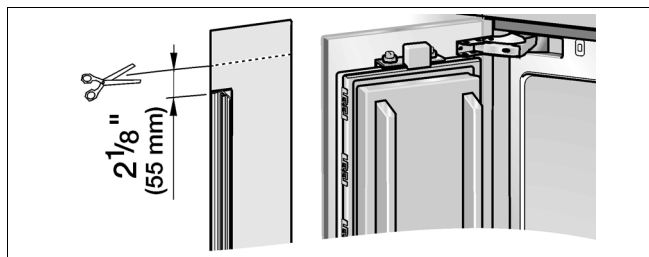
Maintenant, vérifiez impérativement que le bandeau protège-doigts se déplace facilement. Par la suite, les corrections éventuellement nécessaires risquent d'être plus difficiles.

Remarque :

Le bandeau protège-doigts livré d'origine est utilisable que la porte ferme à droite ou à gauche.

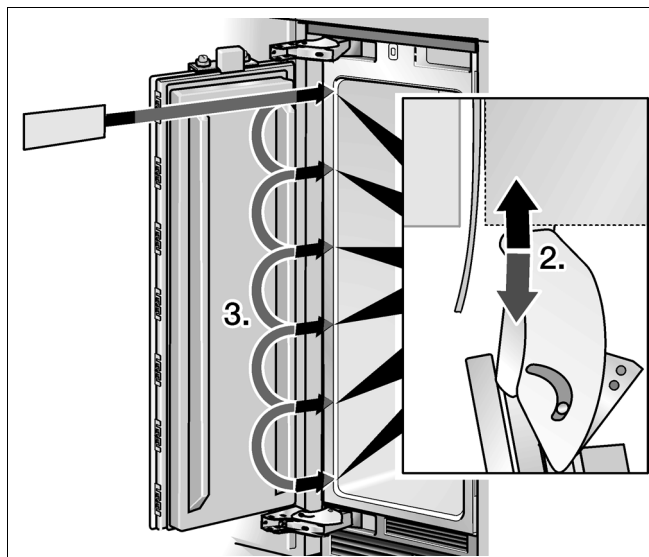
Vu que les situations d'encastrement ne sont pas partout les mêmes, il faut raccourcir le bandeau protège-doigts à la longueur voulue.

- Du côté supérieur, raccourcissez le bandeau protège-doigt 55 mm au dessus de la baguette couvre-joint (1.).



- Sur le côté des charnières, insérez le morceau découpé dans l'interstice entre l'appareil et la paroi de cavité.

La pièce doit être facile à insérer et à extraire ensuite (2.) !



Vérifiez l'absence de résistance mécanique sur toute la hauteur de la porte (3.).

16. Raccordement de l'eau à l'appareil

B

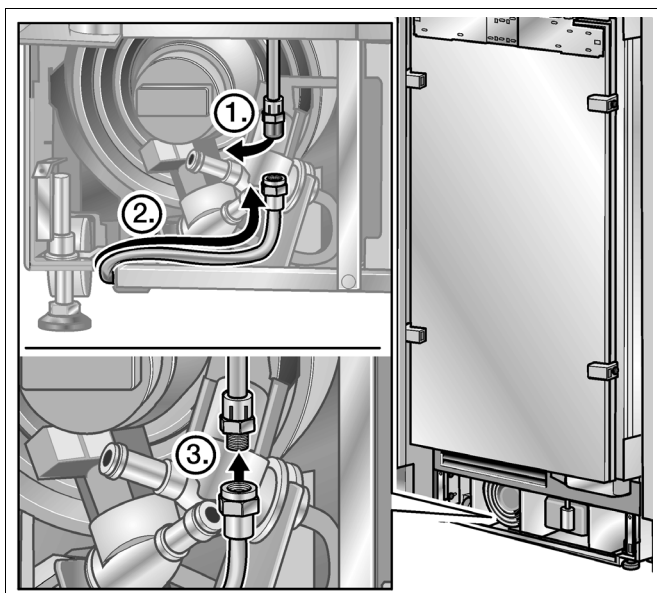
ATTENTION

Lorsque vous recourbez une conduite d'eau, ne la pliez pas, sinon il y a risque que de l'eau fuie et provoque des dégâts.

REMARQUE

Lorsque vous raccordez la conduite d'eau à l'électrovanne de l'appareil, respectez les instructions fournies par le fabricant du kit servant à installer le distributeur de glaçons ; ces instructions accompagnent le manuel d'installation.

- Retirez le capuchon du raccord de l'appareil (1.).
- Coupez la conduite conformément à l'emplacement du raccord sur l'appareil (2.).
- Poussez l'écrou de jonction et le joint contre la conduite d'eau.
- Poussez l'extrémité de la conduite d'eau dans le raccord de l'appareil et vissez l'écrou (3.). Serrez à fond mais à la main.
- A l'aide d'une clé à fourche, serrez l'écrou de jonction. Veillez à ne pas serrer à l'excès !
- Ouvrez la vanne de fermeture et le robinet d'eau principal. Vérifiez si le raccord de la vanne de fermeture et celui de l'appareil présentent des fuites.



17. Fixation du bandeau de socle



ATTENTION

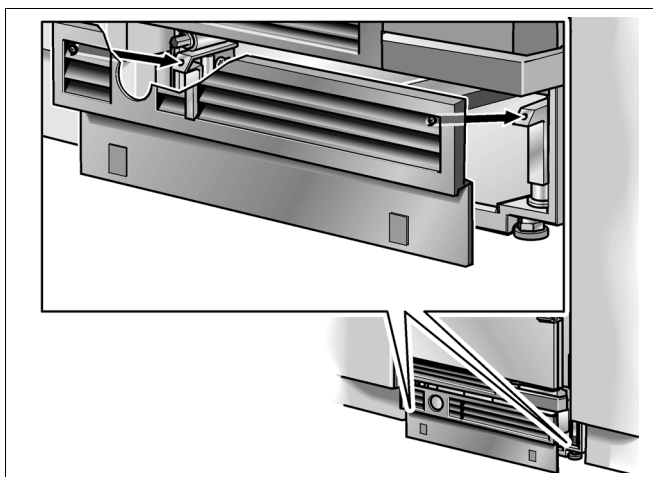


La hauteur maximale du bandeau de socle est de 4" depuis la surface du plancher.

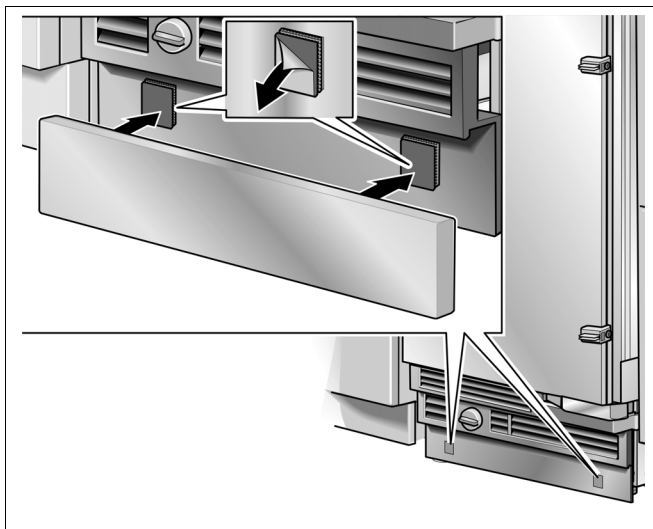
Ne recouvrez pas les ouïes de ventilation que comporte le panneau de base.

Risque d'endommager l'appareil.

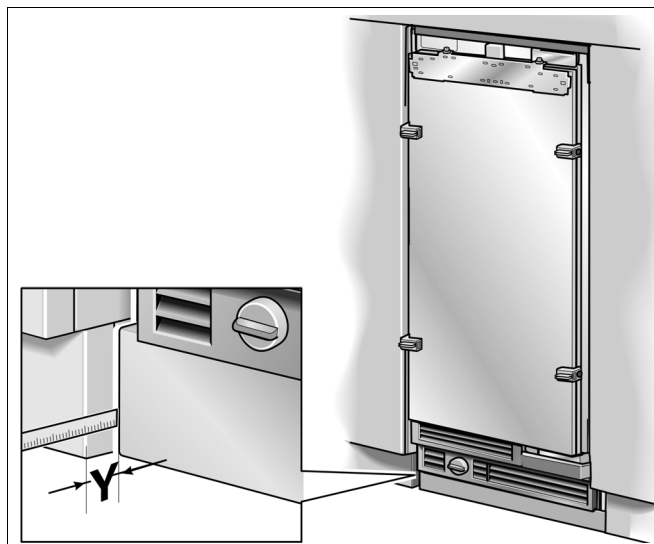
- Si nécessaire, réduisez le bandeau de socle à la longueur voulue.



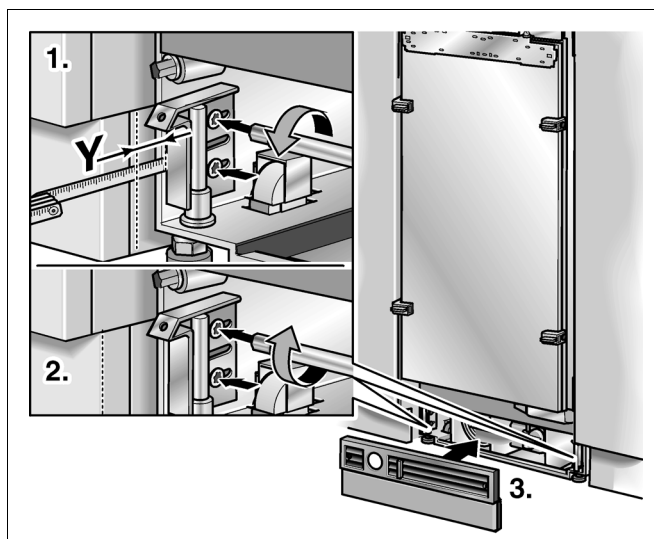
- Fixez le bandeau de socle contre l'appareil.



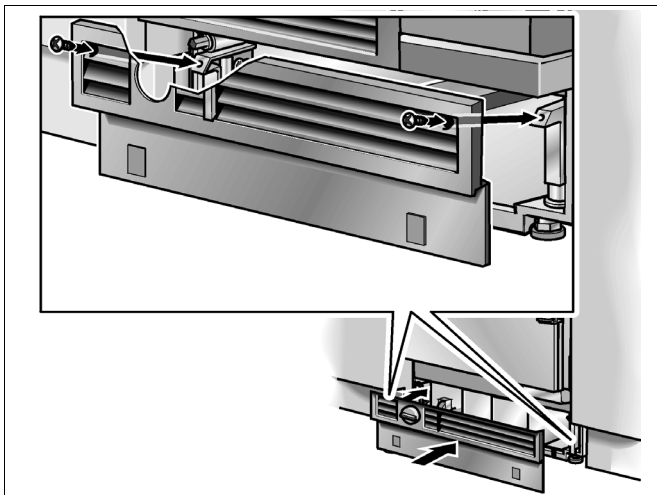
- Retirez la pellicule protectrice des pastilles adhésives sur la bande Velcro.
- Fixez le bandeau de socle contre le panneau de base puis appuyez fermement pour le mettre en place.



- Placez le panneau de base (sans visser) puis mesurez la différence de profondeur **Y** entre le panneau de base et le bandeau de socle sur le meuble adjacent.
- Retirez le panneau de base.
- Détachez les brides retenant le panneau de base et enfoncez complètement.



- Sortez les brides d'une distance égale à la profondeur **Y** mesurée.
- Serrez les brides fermement.



- Fixez le panneau de base.

REMARQUE

Si nécessaire, vous pouvez visser le bandeau de socle contre le panneau de base. Il y a des trous à vis dans le panneau de base, à proximité de la bande Velcro.

18. Mise en service de l'appareil

Pour garantir la précision des étapes de travail suivantes et donc de l'ensemble de la physionomie ultérieure de la façade de la cuisine, il faut mettre l'appareil en service maintenant.

- Ouvrez la porte de l'appareil.
- Appuyez sur le bouton POWER.

Seulement pour les appareils qui requièrent un raccordement à l'eau courante :

Pour éviter tout risque de dégâts des eaux en cas d'endommagement de la conduite d'arrivée d'eau, le robinet d'obturation doit rester en position fermée.

19. Préparation des portes de meubles

REMARQUE IMPORTANTE

Lorsque vous effectuez tous travaux sur les portes des meubles, veuillez tenir compte de ceci :

- Vissez toujours dans le matériau, constitutif de la porte, le mieux capable de supporter la charge.
- Sélectionnez toujours une longueur de vis inférieure à l'épaisseur de la façade du meuble.
- Ne vissez jamais dans les garnitures de remplissage, baguettes enjoliveuses ou assimilées.
- Pour prévenir les dégâts, protégez les surfaces du meuble pendant l'installation.

Le poids total de la façade de meuble ne doit pas dépasser les valeurs suivantes :

Appareil de 18" 44 lbs / 20 kg (19 lbs / 8,5 kg *)

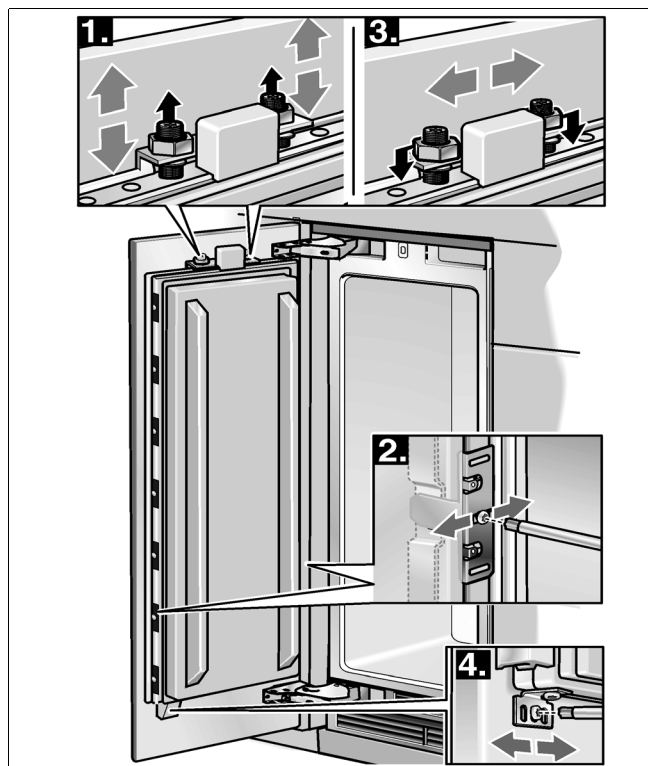
Appareil de 24" 55 lbs / 25 kg (32 lbs / 14,5 kg *)

Appareil de 30" 64 lbs / 29 kg

(* Cave à vin)

Alignement de la porte de meuble

Les façades de meuble se fixent contre la porte de l'appareil au moyen des pièces d'ajustage sur l'appareil. Ces pièces d'ajustage permettent d'ajuster la porte du meuble avec précision et de la fixer de manière sûre contre l'appareil.

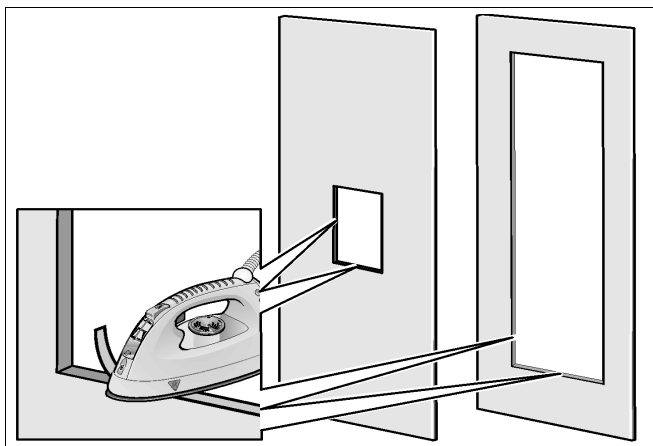


Fonction des différents pièces :

1. Boulon double filetage contre le rail d'ajustage :
il permet l'ajustage vertical de la porte du meuble.
2. Brides latérales :
Elles servent à ajuster la profondeur de la façade du meuble.
3. Écrous sur le boulon double filetage :
Ils servent à bloquer la façade du meuble et empêcher ainsi tout mouvement latéral.
4. Brides inférieures :
Elles servent à bloquer la façade du meuble et empêcher un mouvement latéral.

Remarque importante pour les portes de meubles comportant une découpe (appareils équipés d'un distributeur de glaçons, caves à vin) :

Les arêtes de la découpe dans la porte doivent être impérativement protégées contre la pénétration d'humidité. A cette fin, utilisez des moyens adaptés au matériau et à la forme de la porte du meuble (p. ex. des baguettes périmétriques, un produit pour sceller les arêtes).

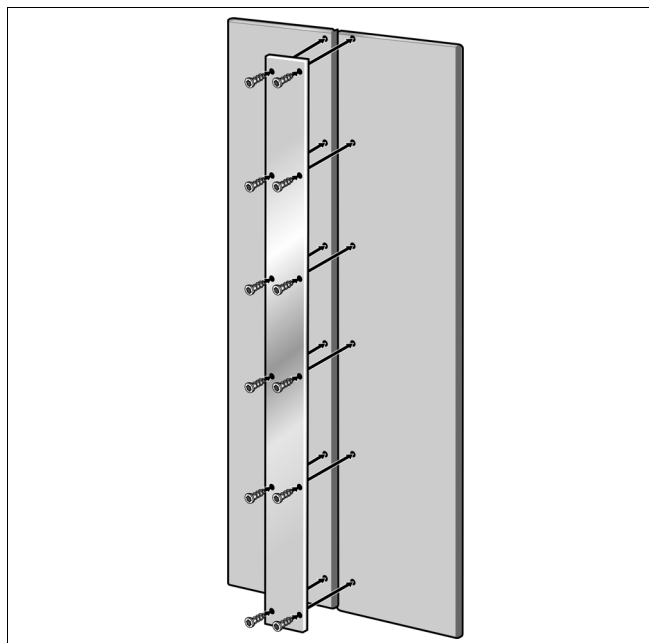


Panel unification kit

Dans le cas des appareils faisant 30" et 36" de largeur, il est possible de fixer 2 portes de meuble adjacentes à la place d'une seule porte de grande largeur. Ces portes de meubles doivent être réunies l'une à l'autre par un bandeau métallique contre leur dos.

Ce bandeau est en vente auprès du service après-vente en tant qu'accessoire en option. Voir la section intitulée « Accessoires en option » à la page 58.

Lorsque vous fixez le bandeau métallique aux portes de meuble, respectez la longueur maximum possible des vis et la position des trous de perçage. Vissez toujours dans la partie du matériau de porte la mieux en mesure de supporter la charge.



REMARQUE

Ne vissez jamais dans les garnitures de remplissage, baguettes enjoliveuses ou assimilées.

Si vous ne voulez fixer qu'une porte de meuble à la porte d'un appareil faisant 30" ou 36" de largeur, fixez le panneau en sandwich, fourni, contre le rail d'ajustage et verrouillez en position.

20. Application d'une charge à la porte de l'appareil

Pour parvenir à la plus haute précision possible des cotes interstitielles lors de la fixation des portes de meuble, nous recommandons de mettre des poids dans les casiers en contre-porte.

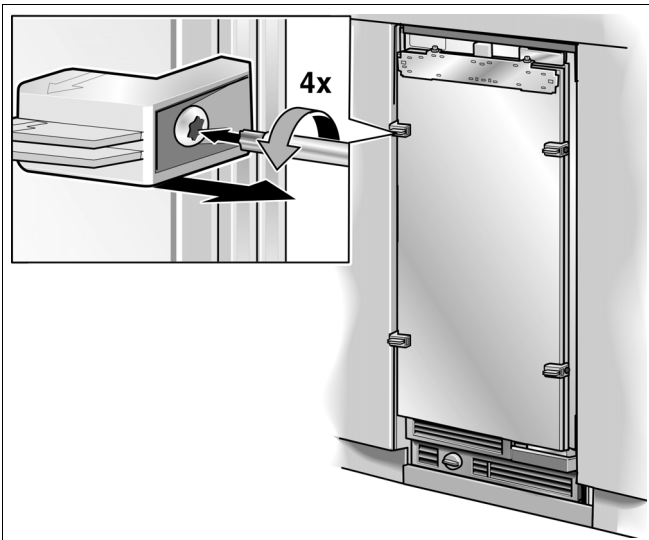
Recommandations :

- Appareil de 18" : 22 lbs / 10 kg
- Appareil de 24" : 33 lbs / 15 kg
- Appareil de 30" : 44 lbs / 20 kg

21. Fixation du rail d'ajustage contre la porte du meuble

REMARQUE

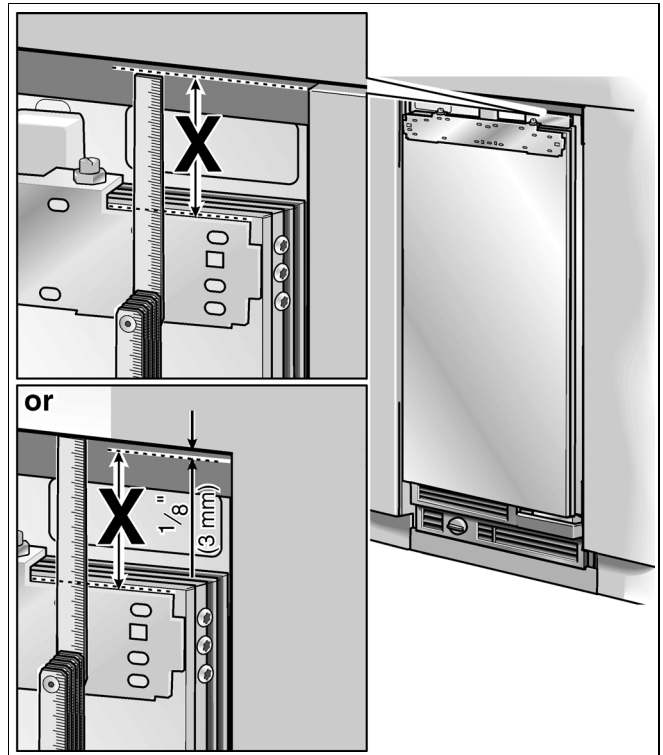
Le rail d'ajustage constitue le moyen le plus important pour ajuster la façade du meuble.



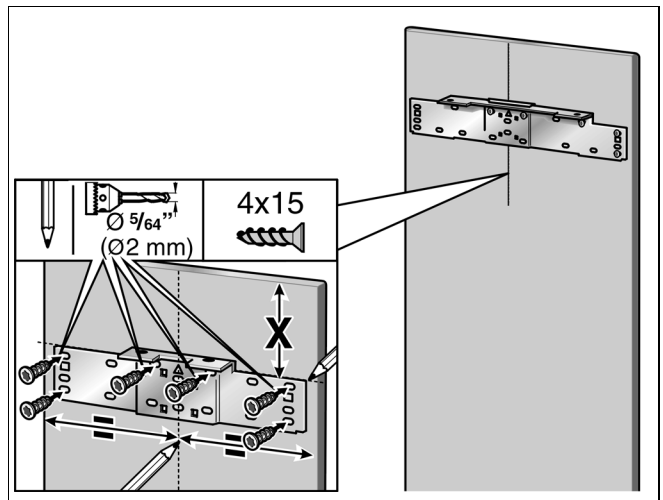
- De la porte de l'appareil, dévissez la pièce support d'installation.

REMARQUE

Conservez les accessoires d'aide au positionnement, vous en aurez encore besoin dans la suite du montage.



- Mesurez la distance **X** entre le rail d'ajustage et le meuble/les appareillages situés au-dessus.
- Desserrez les 2 écrous et retirez le rail d'ajustage.

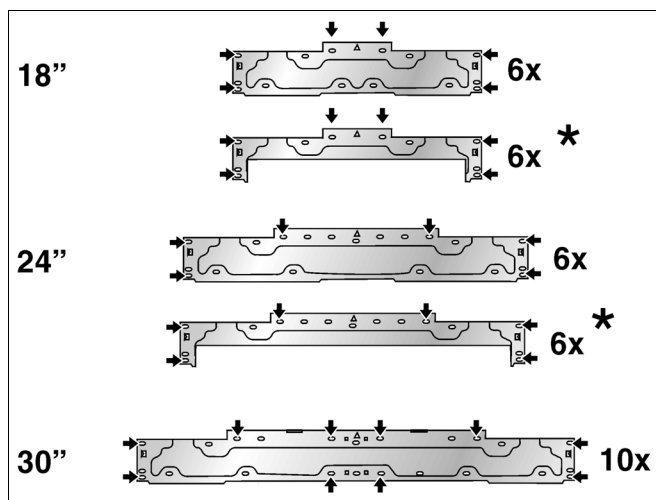


- Marquez cette distance **X** au dos de la porte du meuble.

- Déterminez et marquez le centre de la porte du meuble.
- Montez le rail d'ajustage et alignez le long des marquages. Marquez les emplacements des trous de perçage.
- Percez les trous.
- Vissez à fond le rail d'ajustage.

Remarque:

- Vissez le rail d'ajustage contre la porte du meuble à l'aide d'au moins 6 vis. Il faudrait insérer chaque vis sous chaque boulon à double filetage.

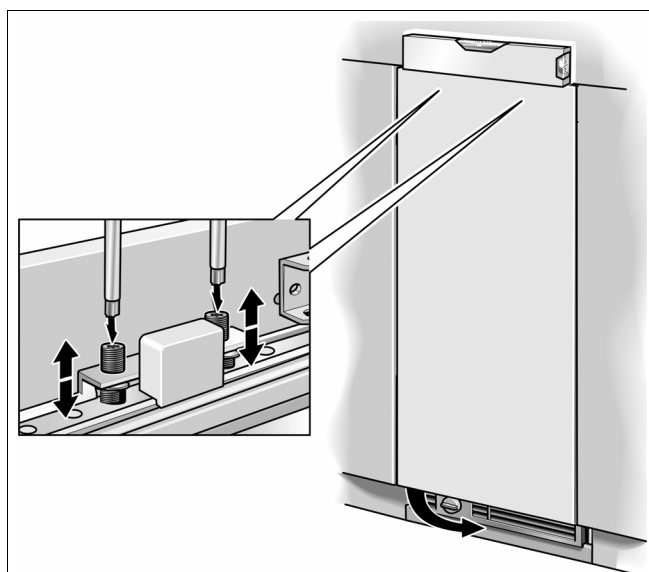


* Cave à vin

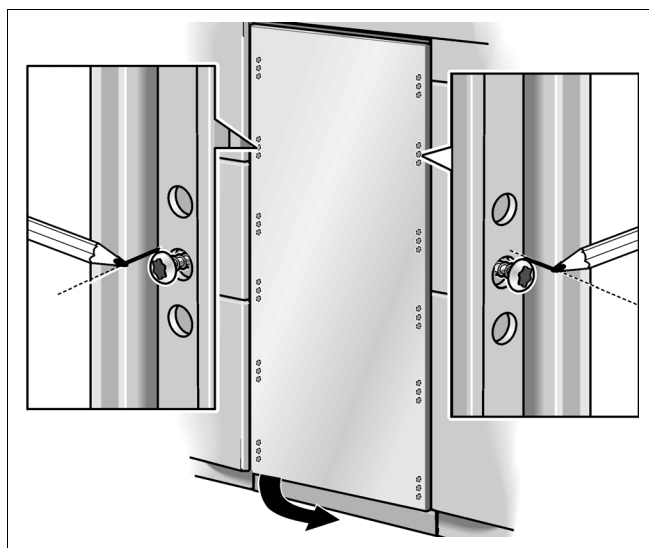
- Le rail d'ajustage comporte un ensemble de trous adaptés à différentes options de configuration des portes de meuble. Vissez toujours dans le matériau de la porte de meuble le mieux en mesure de supporter la charge.

22. Fixation et alignement de la porte de meuble

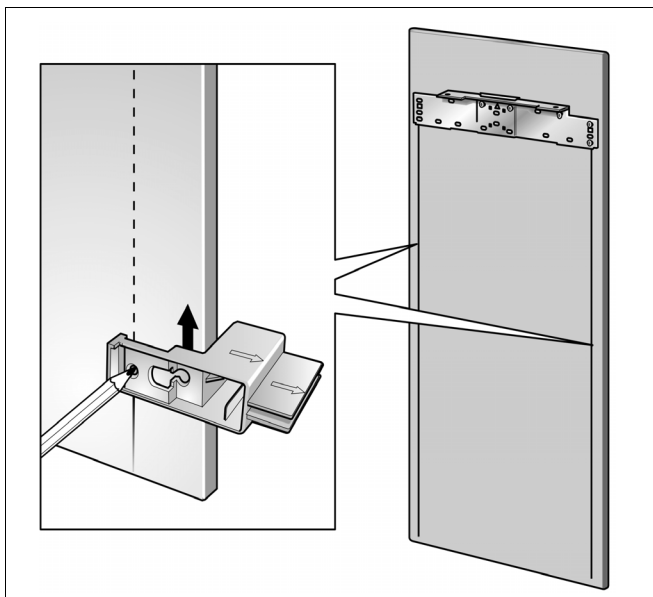
- Accrochez la porte du meuble contre le boulon à double filetage.



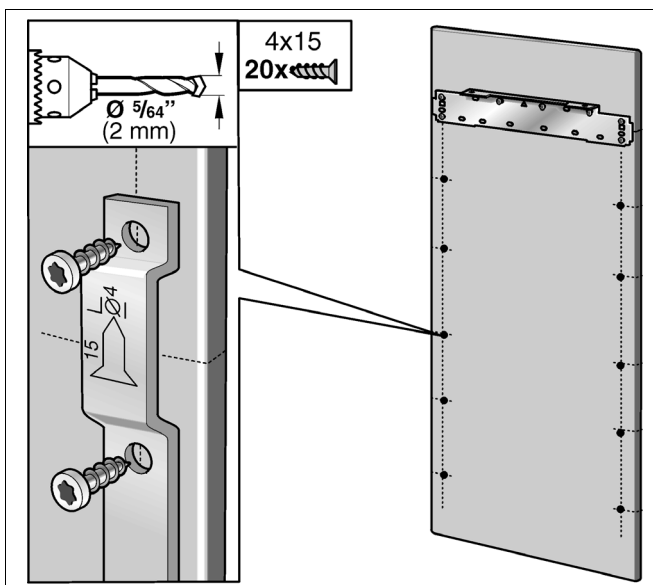
- Alignez la porte du meuble à l'aide des boulons à double filetage (tournevis Torx).



- Reportez les trous de perçage médians, situés le long du bord extérieur de la porte de l'appareil, contre la façade du meuble et marquez-les.
- Retirez la porte du meuble.



- A l'aide de l'accessoire d'aide au positionnement, tracez une ligne parallèle à chaque côté longitudinal de la porte du meuble.
- A l'aide d'une équerre, reliez les marquages (que vous venez d'effectuer) des trous de perçage avec les marquages verticaux.
- Appliquez la baguette de fixation et marquez l'emplacement des trous.
- Percez les trous de fixation.

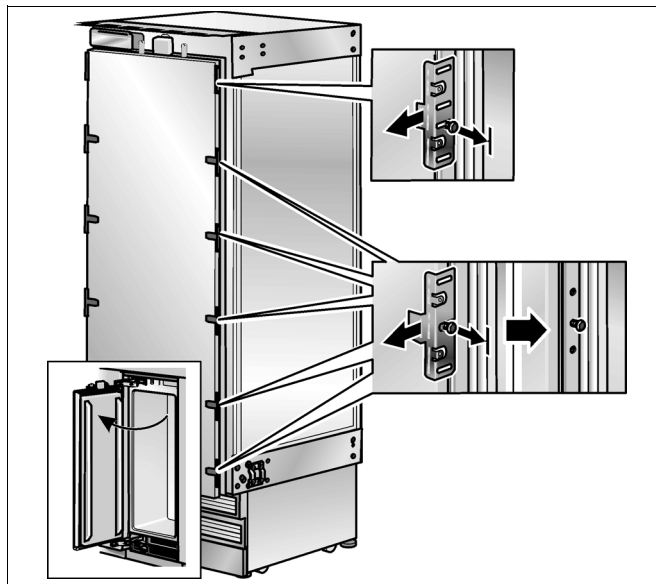


- Dans les trous, vissez les baguettes de fixation.

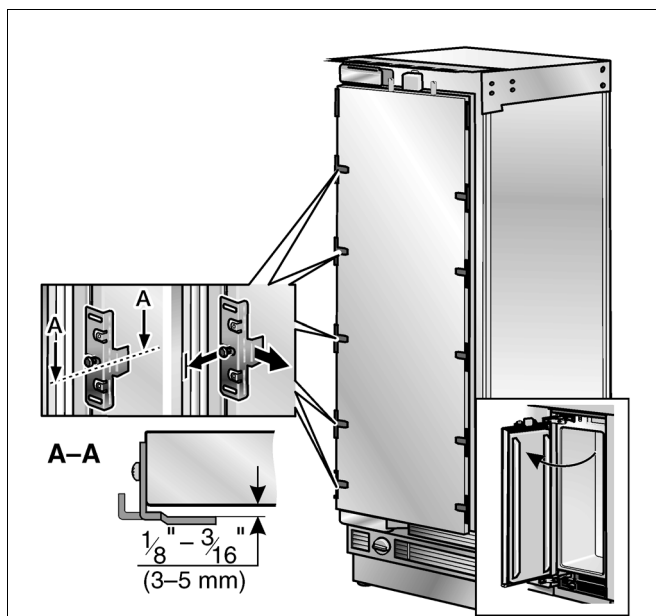
23. Fixation de la porte de meuble

REMARQUE

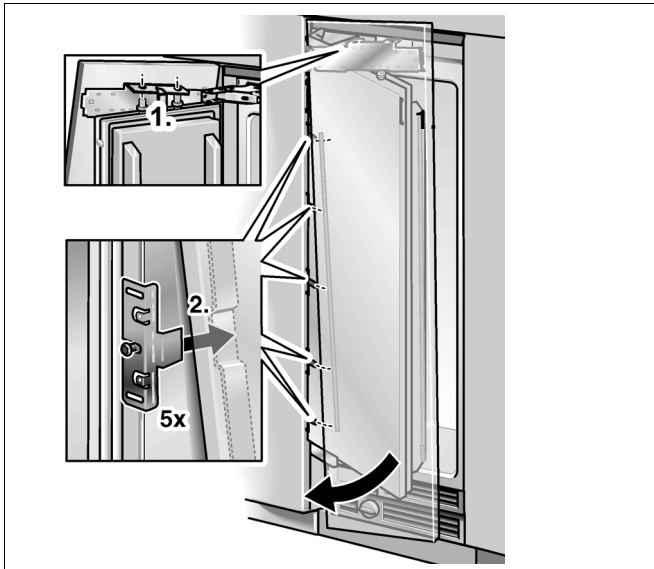
Maintenant, fixez les poignées du meuble. Elles se vissent par l'arrière !



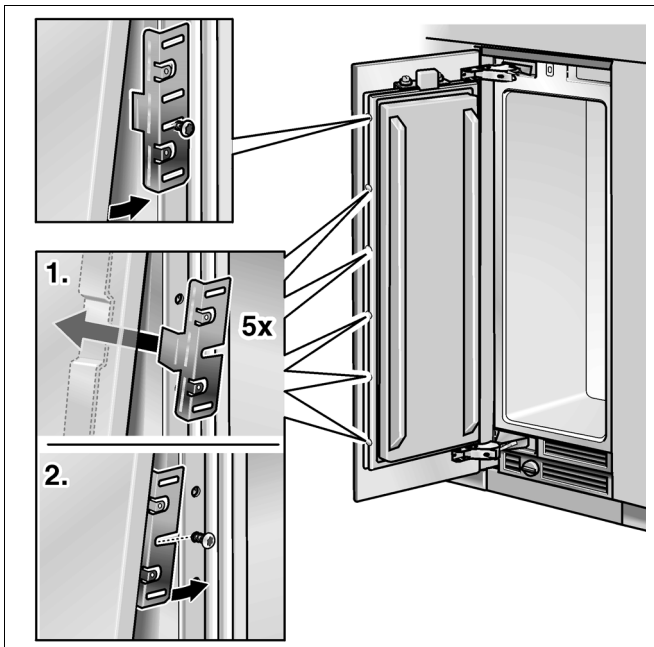
- Retirez la cornière d'immobilisation située sur le côté poignée de la porte de l'appareil. Pour ce faire, desserrez un peu seulement les vis de fixation.



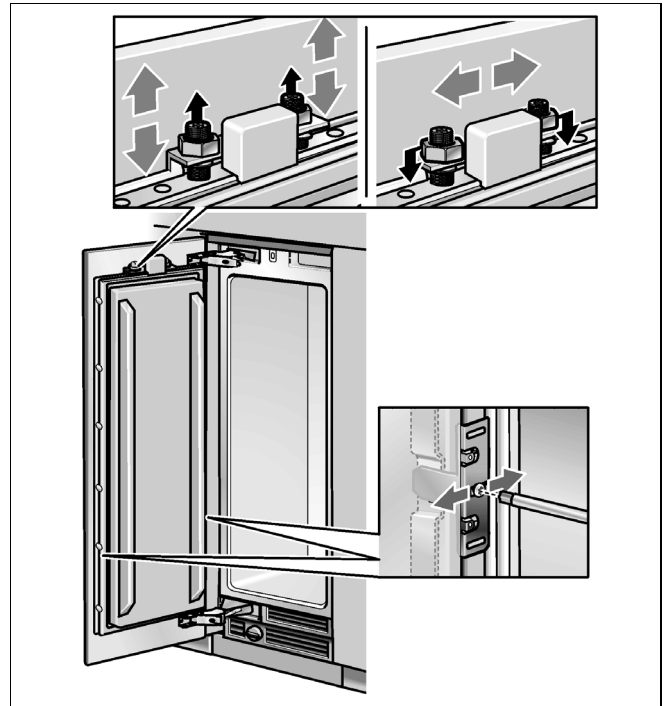
- Détachez la cornière d'immobilisation située sur le côté butée et reculez-la un peu de la porte de l'appareil. Pour ce faire, desserrez un peu seulement les vis de fixation.
- Ouvrez la porte de l'appareil.



- Accrochez la porte de meuble aux goujons filetés (1.).
- Soulevez légèrement la porte du meuble et faites descendre la baguette de fixation sur les pattes de fixation (2.).



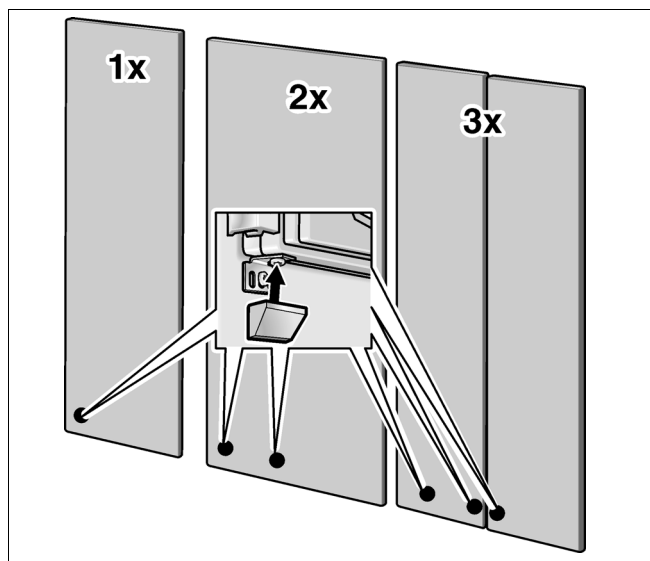
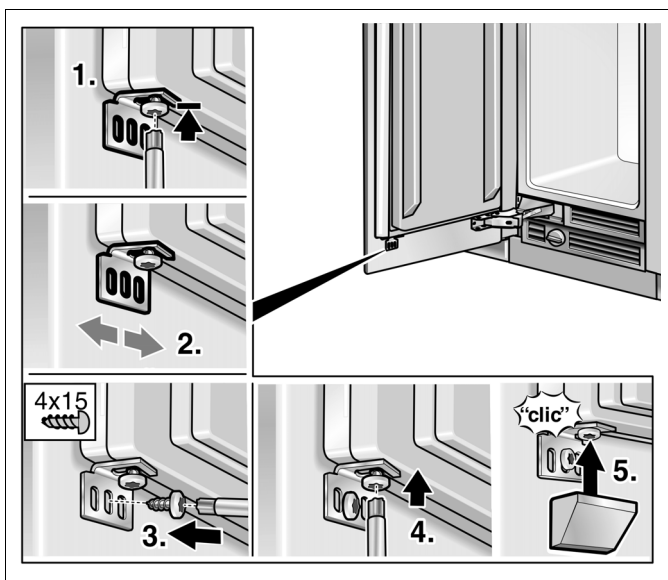
- Insérez dans la baguette les pattes de fixation retirées et faites-les passer sur les vis de fixation.
- Tournez les écrous sur les boulons filetés du rail d'ajustage. Ne les serrez pas à fond !



- Alignez la porte du meuble à l'aide des goujons filetés (utilisez le tournevis Torx). Vérifiez l'interstice sur tout son périmètre.
- Fermez la porte et vérifiez que la profondeur de la façade de meuble est alignée sur les façades adjacentes. Corrigez si nécessaire.
- Serrez les vis des brides pour figer la profondeur d'alignement.
- Refermez la porte et vérifiez l'alignement latéral. Corrigez en tapant légèrement avec la main sur le bord de la porte ouverte du meuble.
- Serrez les écrous sur le rail d'ajustage. Cette action fige l'alignement latéral de la porte.

24. Fixation des brides inférieures

Remarque :



Le nombre de brides inférieures dépend de la largeur et de la conception de la porte du meuble.

- Vissez les brides inférieures (elles se trouvent dans le kit d'accompagnement). Percez des trous préparatoires dans la porte du meuble !

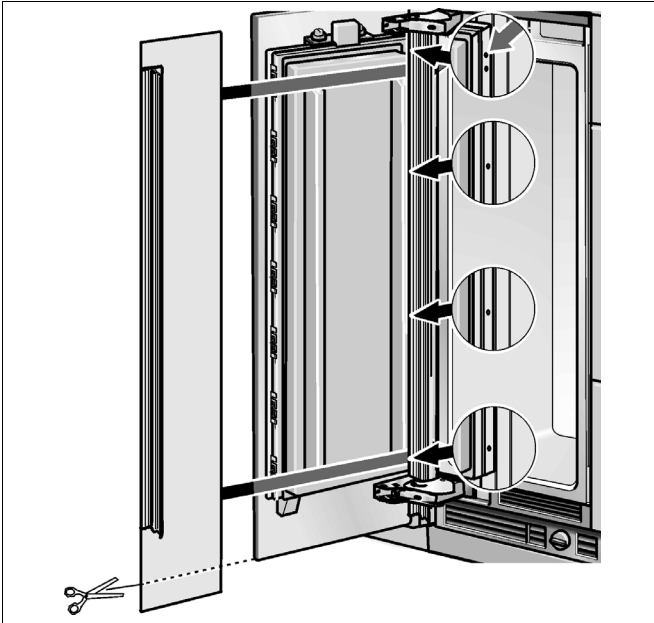
La bride inférieure fige la position latérale de la porte.

1. Desserrez la vis.
2. Vérifiez la position latérale de la porte.
3. Vissez la vis à bois.
4. Serrez la vis.
5. Fixez le couvercle sur les brides.

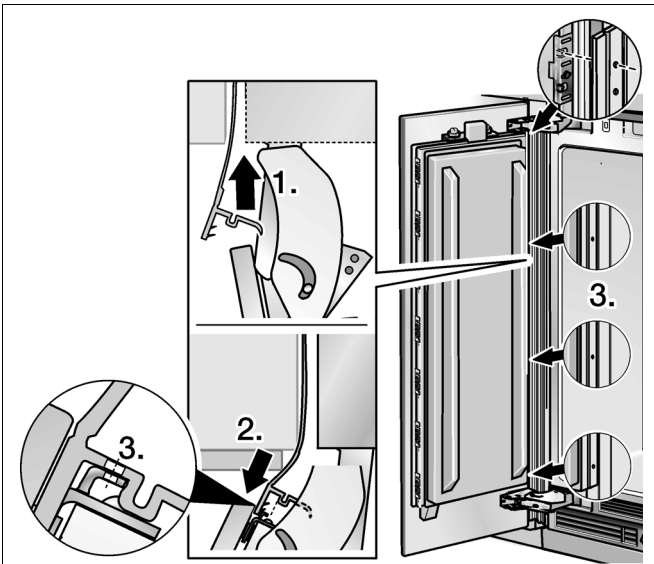
25. Fixation du bandeau protège-doigts

- Maintenez le bandeau protège-doigt contre la porte de sorte que les trous de fixation ménagés dans la baguette couvre-joints concident avec ceux ménagés dans les cornières d'immobilisation.

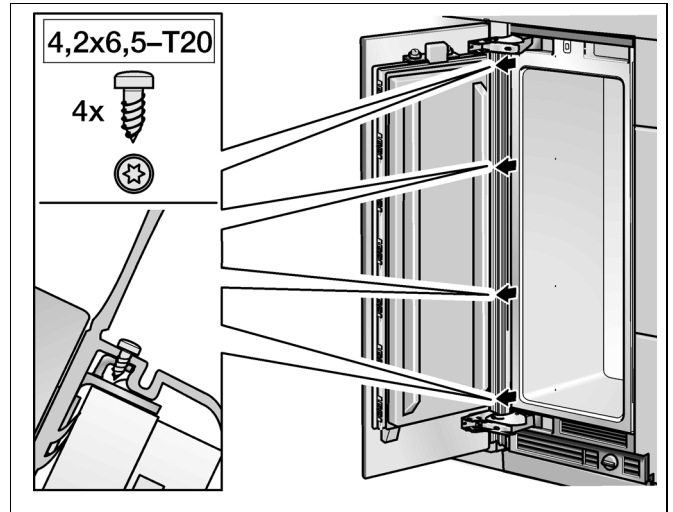
Maintenant, marquez l'arête inférieure du bandeau protège-doigts et raccourcissez-le en conséquence.



- Insérez le bandeau protège-doigts dans l'interstice entre l'appareil et la paroi de la cavité (1.).

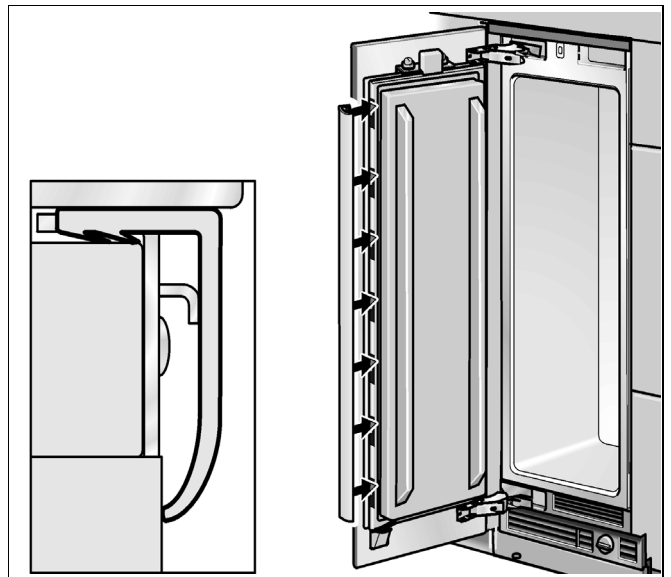


- Enfoncez la baguette couvre-joint du bandeau protège-doigts de haut en bas dans l'interstice entre la façade du meuble et la porte de l'appareil (2.). Veillez à ce que les trous de fixation ménagés dans la baguette couvre-joints concident avec ceux ménagés dans les cornières d'immobilisation (3.) !

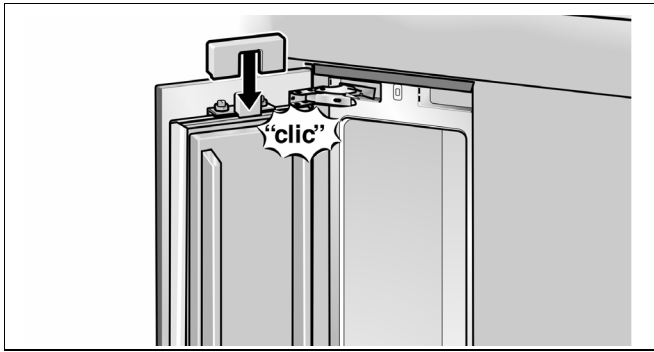


- Fixez le bandeau protège-doigts avec les vis contre les cornières d'immobilisation.
- Ouvrez et fermez plusieurs fois la porte pour vérifier le fonctionnement du bandeau protège-doigts et qu'il n'oppose pas de résistance mécanique.

26. Fixation des couvercles



- Emboîtez les profilés de recouvrement sur la porte.

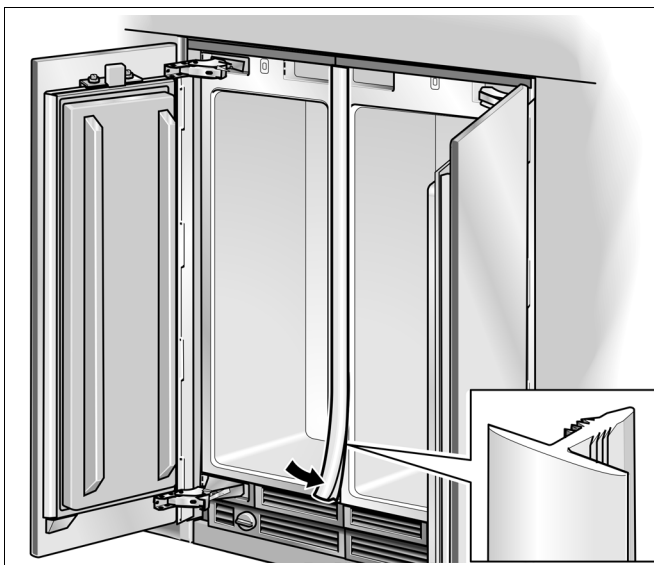
D

- Placez les bandes couvercles contre la porte.

REMARQUE

Sur les appareils faisant 24" (61 cm) et 30" (76 cm) de large, le couvercle de l'interrupteur d'éclairage peut se visser contre la porte.

Installation côte à côte uniquement :

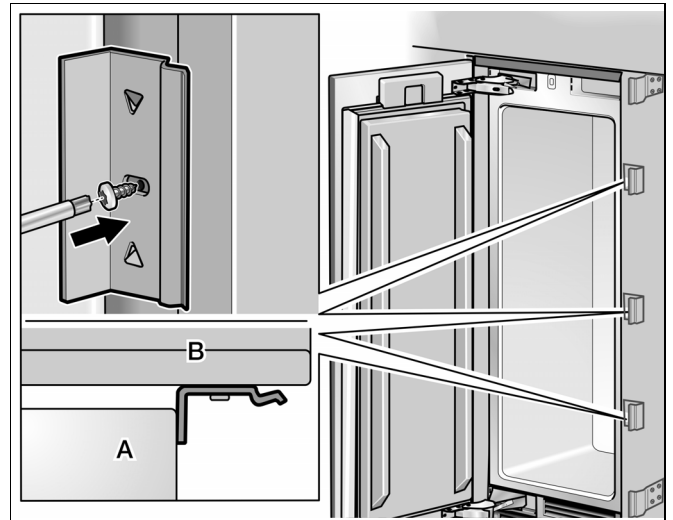


- Insérez la bande couvercle dans l'interstice situé entre les appareils.

REMARQUE

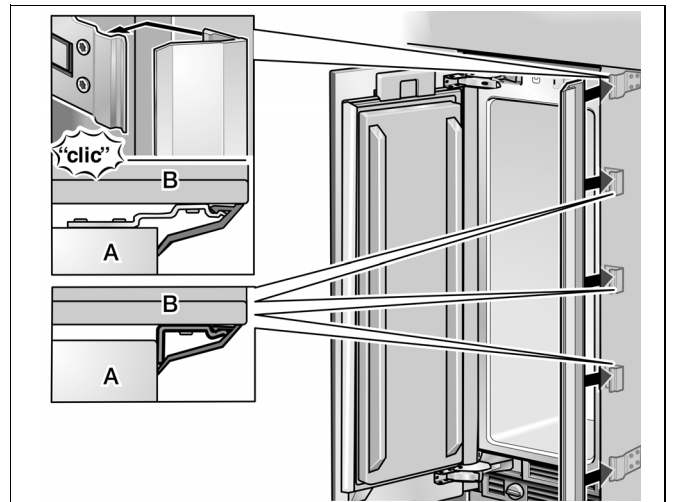
Le profilé de recouvrement est compris dans les accessoires nécessaires en cas d'installation côte à côte.

Appareils individuels uniquement:



- A Appareil
- B Meuble

- Vissez les brides (latéralement) destinées à retenir la bande couvercle.



- Insérez la bande couvercle dans l'espace entre l'appareil et le panneau en bois.

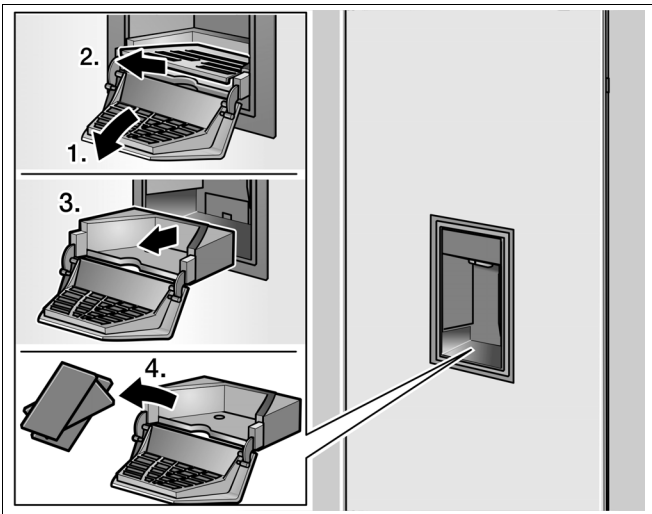
27. Alignement du distributeur de glaçons et d'eau

(seulement pour unité de congélation avec distributeur de glaçons et d'eau)

REMARQUE

Sur les appareils à port en acier inoxydable, la porte est équipée d'un cadre enjoliveur spécial.

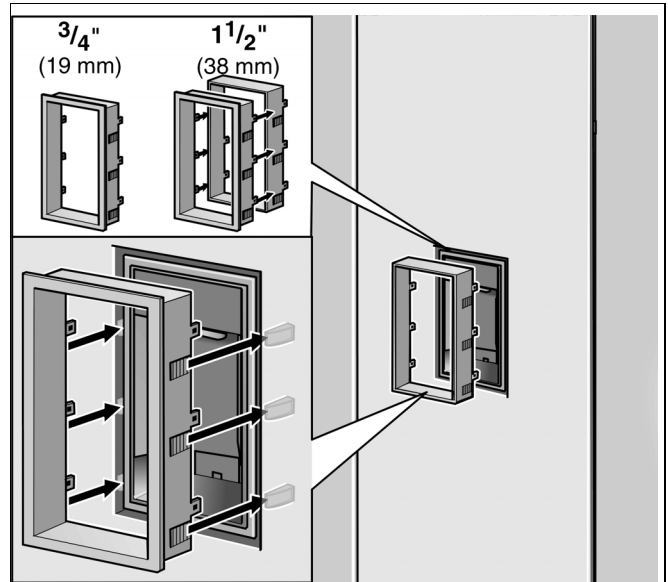
Il est possible d'aligner en profondeur le distributeur de glaçons et d'eau dans la découpe ménagée dans la porte du meuble. Ceci permet d'ajuster le parallélisme avec cette porte et de conférer une physionomie optimale à l'ensemble.



- Du distributeur de glaçons et d'eau, retirez la tablette (1.-3.).
- Extrayez les couvercles hors du bac de récupération (4.).

REMARQUE

Nous recommandons de monter le cadre enjoliveur avant d'aligner le distributeur de glaçons et d'eau.

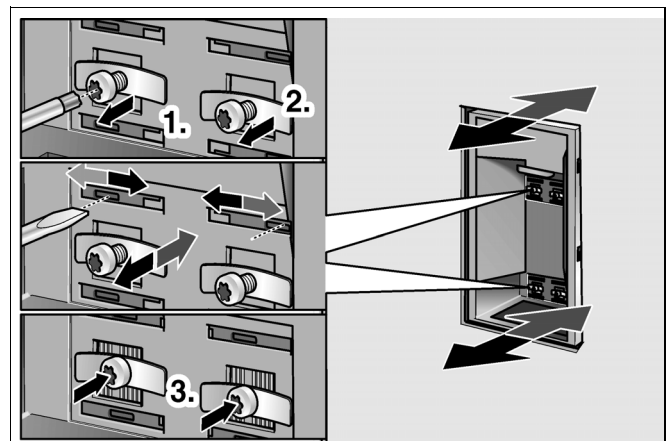


Portes de meuble faisant $\frac{3}{4}$ " / 19 mm d'épaisseur :

- Enfoncez le cadre enjoliveur sur le distributeur de glaçons et d'eau jusqu'à ce que le cadre affleure avec la surface de la porte.

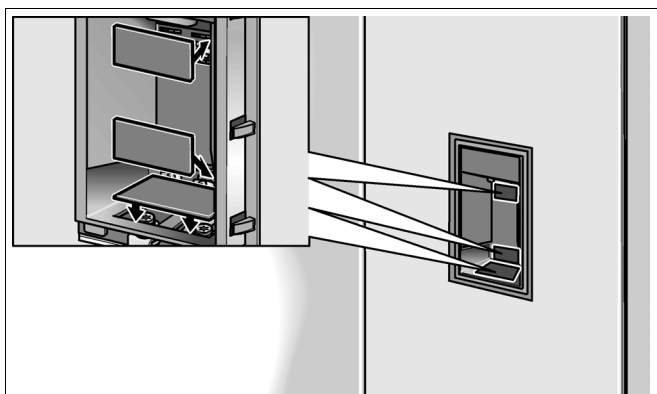
Portes de meuble faisant $1\frac{1}{2}$ " / 38 mm d'épaisseur :

- Enfoncez le cadre rallonge sur le cadre enjoliveur.
- Poussez le cadre enjoliveur sur le distributeur de glaçons et d'eau et enfoncez-le jusqu'à que le cadre affleure avec la surface de la porte.

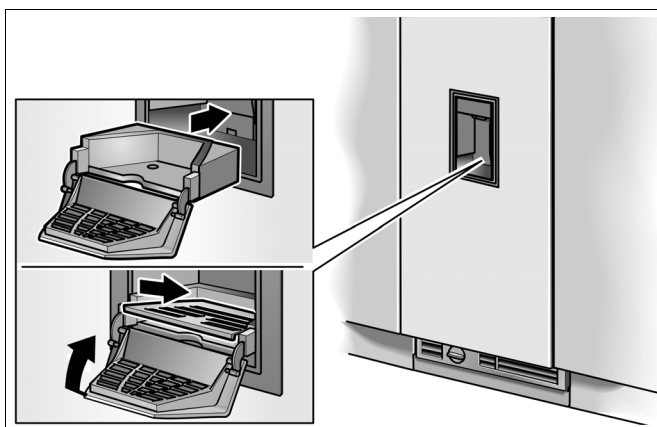


- Desserrez les vis des 4 agrafes (1.).

- Introduisez un tournevis pour vis à fente dans l'une des 4 ouïes et déplacez les latéralement de sorte que le distributeur de glaçons et d'eau se trouve à une distance uniforme par rapport à la porte du meuble (2.).
- Revissez à fond les vis des agrafes (3.).



- Posez les couvercles.

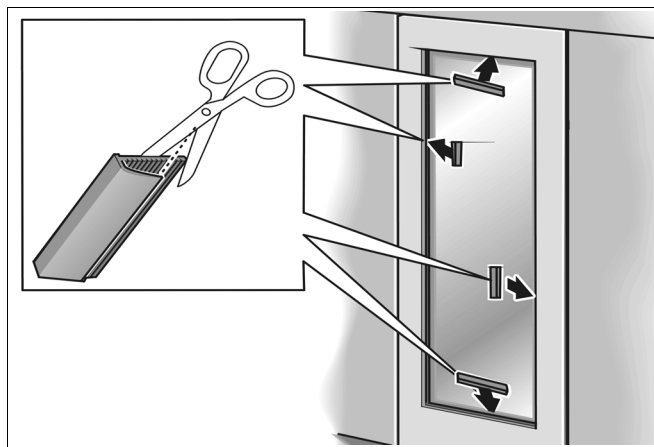


- Remettez la tablette en place.

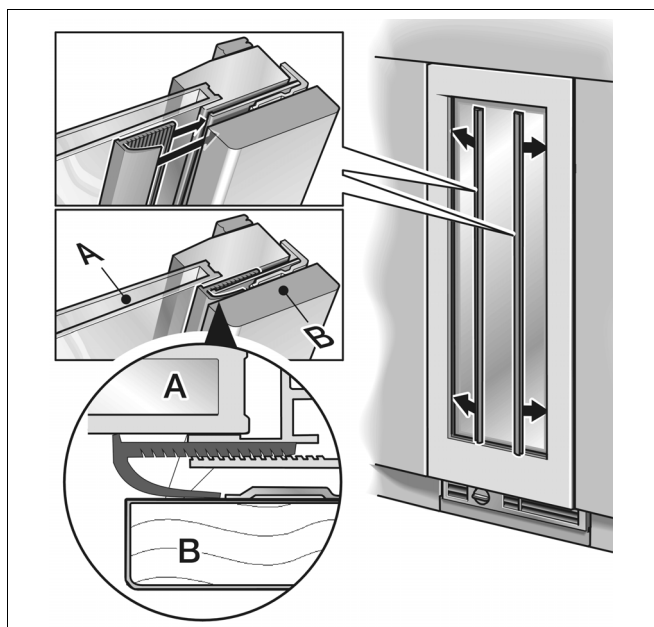
28. Fixation des baguettes couvre-joints

(Cave à vin uniquement)

Remarque :

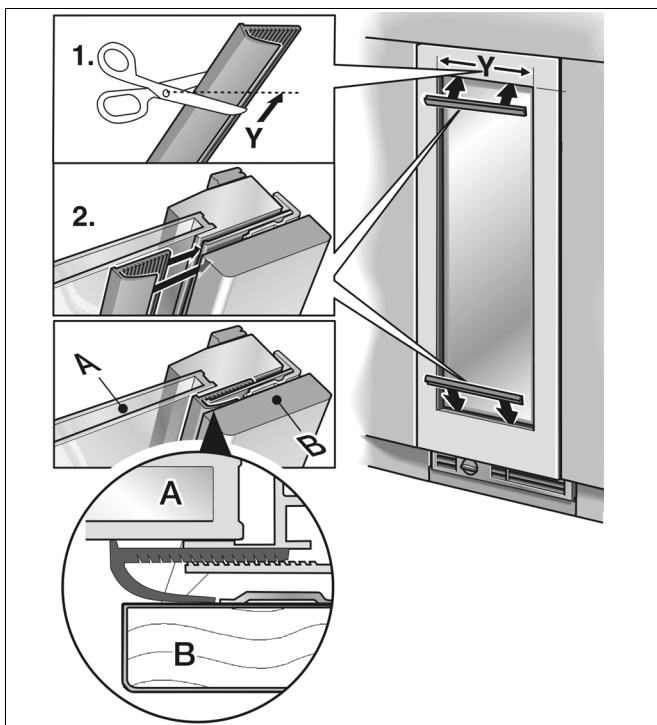


Si le cadre présente une largeur réduite, il faudra selon les circonstances raccourcir le segment de la baguette couvre-joint. Pour déterminer la longueur requise du segment, des échantillons de baguette ont été livrés d'origine.



- Enfilez les baguettes couvre-joints sur le côté longitudinal, dans la cavité entre la porte du meuble et le bandeau en verre.

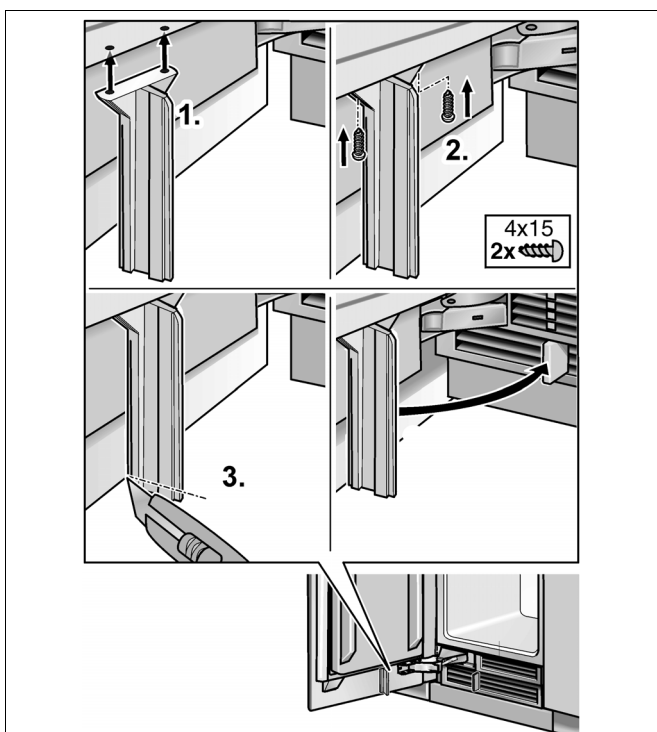
- Raccourcissez les baguettes couvre-joints des côtés courts à la longueur requise.



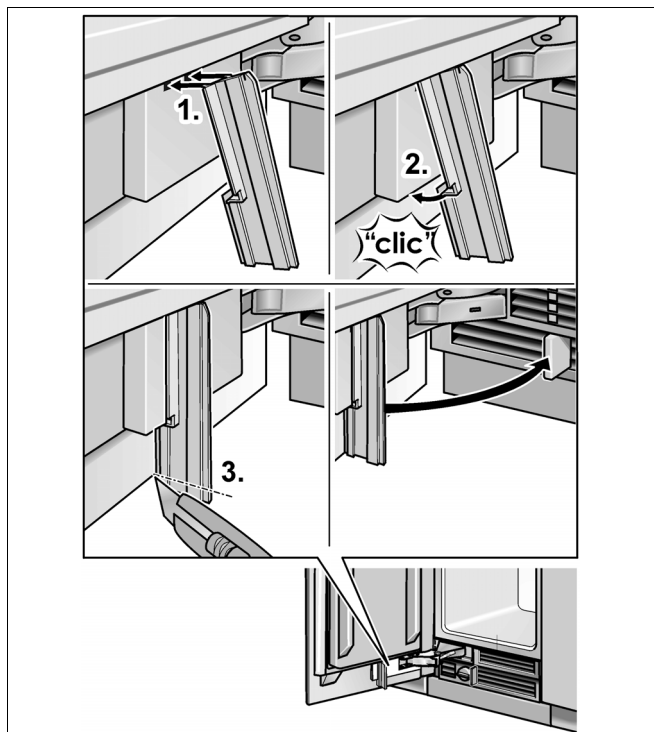
- Insérez les baguettes couvre-joints dans la cavité située entre la porte du meuble et le bandeau en verre.

29. Montage du séparateur d'air

Vissez le séparateur d'air contre la porte du meuble afin de séparer l'air entrant et l'air sortant.



Appareils équipés d'un distributeur de glaçons :

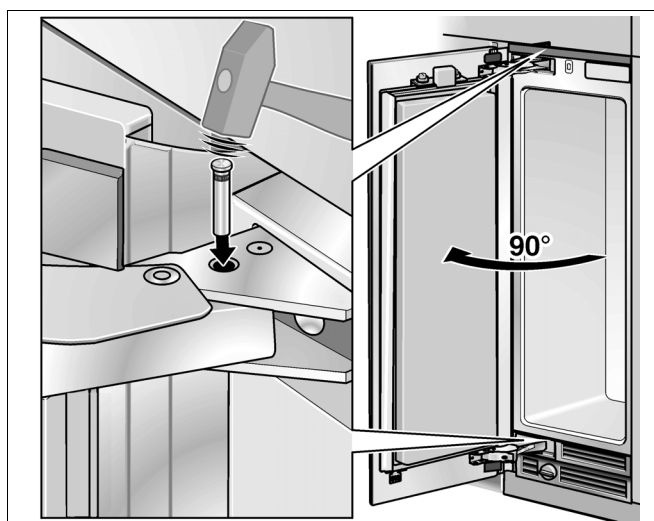


30. Ajustage de l'angle d'ouverture de porte

Suivant les conditions d'installation, il pourra être nécessaire d'ajuster l'angle d'ouverture de la porte. Un angle d'ouverture de 115° a été ajusté en usine.

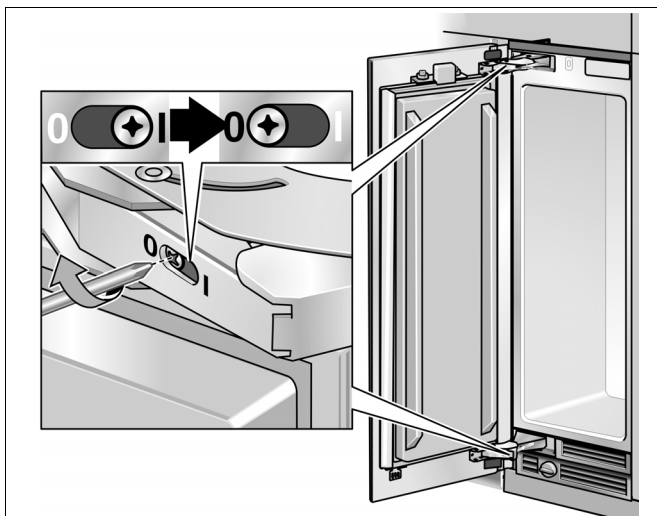
Pour conférer à la porte un angle d'ouverture de 90° :

- Ouvrez la porte à 90°.



- Introduisez la tige de limitation à travers les deux alésages superposés puis enfoncez-la à l'aide d'un marteau.

31. Changement du ressort de porte



- Tournez la vis de réglage à l'aide d'un tournevis à empreinte cruciforme.

I = Plus forte tension possible du ressort

0 = Pas de tension ressort

Avec cette opération prend fin l'incorporation de l'appareil.

Índice

Antes de comenzar 90

Opciones de instalación 91

Unidad individual 91

Side-by-Side (Lado a lado) 91

Electrodomésticos individuales con separación 91

En el final de las unidades de cocina 91

Emplazamiento de la instalación 92

Ambiente de emplazamiento 92

Cavidad de instalación 92

Muebles y adornos 92

Base 92

Conexión a la red de alimentación 93

Procedimiento de puesta a tierra adicional 93

Instrucciones de conexión a tierra 93

Conexión del agua 93

Medidas de instalación 94

Instalación simple 94

Instalación Side-by-Side (Lado a lado) 95

Conexión del agua 96

Medidas del electrodoméstico 97

Electrodoméstico de 18" (Congelador/
Congelador con dispensador de agua) 97

Electrodoméstico de 18" (Conservador de vinos) 98

Electrodoméstico de 24" (Refrigerador/Congelador/
Congelador con dispensador de agua) 99

Electrodoméstico de 24" (Conservador de vinos) 100

Electrodoméstico de 30" (Refrigerador/Congelador/
Congelador con dispensador de agua) 101

Accesorios y herramientas necesarias 102

Accesorios que forman parte volumen de entrega 102

Accesorios opcionales 102

Otros accesorios necesarios
para salidas especiales 102

Herramientas 102

Otros 102

Instrucciones de instalación 103



1. Control de la cavidad
para la instalación 103

2. Transporte del equipo 103

3. Desembalaje 104

4. Preparativos para el montaje 104

5. Cambiando las bisagras 105

6. Preparación de la cavidad
de instalación 107

7. Montaje de un dispositivo
antivuelco adicional 109

8. Preparación para conectar el agua 109

9. Protección de los bordes 110

10. Instalación Side-by-Side
(Lado a lado) 110

11. Colocando el electrodoméstico
en la cavidad de instalación 111



12. Instalación y alineación
del electrodoméstico 112

13. Sujetando el electrodoméstico
a la parte superior de la cavidad 113

14. Sujeción del electrodoméstico individual
en los laterales de la cavidad 114

15. Verificar la movilidad de la protección
de los dedos 114

16. Conexión del agua
al electrodoméstico 115

C

- 17. Sujeción del panel de protección 116
- 18. Puesta en marcha del equipo 117
- 19. Preparación de las puertas mueble 117
- 20. Carga admisible en la puerta electrodoméstico 118
- 21. Montaje del riel de ajuste en la puerta del mueble 119
- 22. Sujeción y alineación de la puerta del mueble 120
- 23. Sujeción de la puerta del mueble 121
- 24. Montaje de los soportes inferiores 122

D

- 25. Montaje de la protección para los dedos 123
 - 26. Montaje de las cubiertas 123
 - 27. Orientación del dispensador de hielo y agua 125
 - 28. Colocación del cuadro de cobertura y del depósito 126
 - 29. Montaje del separador de aire 127
 - 30. Ajuste del ángulo de apertura de la puerta 127
 - 31. Cambio del muelle de la puerta 127
-

Antes de comenzar

Lea estas instrucciones completamente y con detenimiento.

ADVERTENCIA

La parte superior de este electrodoméstico es más pesada que la de abajo, por lo que se lo debe asegurar a fin de evitar que vuelque hacia delante. Se requiere de una protección antivuelco.

Mantenga las puertas cerradas hasta que el electrodoméstico esté completamente instalado y asegurado según las instrucciones de instalación.

Debido al peso y las dimensiones del electrodoméstico y a fin de reducir el riesgo de lesiones personales o de daños al producto – SE REQUIERE DE DOS PERSONAS PARA UNA INSTALACIÓN ADECUADA.

Este electrodoméstico debe conectarse correctamente a tierra. Consulte la sección «Conexión a la red de alimentación» en página 93.

Utilice el electrodoméstico exclusivamente para lo que ha sido previsto.

Repáre o cambie inmediatamente los cables eléctricos si están gastados o dañados.

Desenchufe el electrodoméstico o desactive el fusible antes de limpiar o efectuar reparaciones.

ATENCIÓN

Una instalación adecuada de este electrodoméstico requiere de conocimientos específicos básicos en mecánica, carpintería y fontanería.

Una instalación adecuada de este electrodoméstico requiere de conocimientos específicos básicos en mecánica, carpintería y fontanería. Fallos en el producto debido a una instalación inadecuada no está cubiertos por la garantía.

Consulte el manual del usuario por la información concerniente a la garantía.

IMPORTANTE

Guarde estas instrucciones para el uso del inspector local. Tenga en cuenta todas las disposiciones y ordenanzas gubernamentales.

Nota para instalador – Asegúrese de dejar estas instrucciones al usuario.

Nota para el usuario – Guarde estas instrucciones con su manual para el propietario.

General

Las reparaciones debe efectuarlas un técnico calificado. Estas instrucciones de instalación se entienden para se usadas por instaladores calificados. Todas las conexiones de agua, alimentación eléctricas y conexión a tierra, deben cumplir con las prescripciones y ordenanzas locales y deben ser realizadas por personal con las licencias correspondientes si así se lo requiere. En ausencia de prescripciones locales:

- En los E.E.U.U., de acuerdo con el National Electric Code, ANSI/NFPA70 – última edición/prescripciones municipales y/o locales.
- En Canadá, de acuerdo con el Canadian Electric Code C22.1 – última edición prescripciones municipales y/o locales.

ADVERTENCIA

ADVERTENCIA – indica que existe peligro de lesiones graves y aún de muerte, que pueden ocurrir como resultado de la inobservancia de esta advertencia.

ATENCIÓN

ATENCIÓN – indica que pueden producirse lesiones menores o daños que pueden ocurrir como resultado de la inobservancia de esta advertencia.

IMPORTANTE/ NOTA

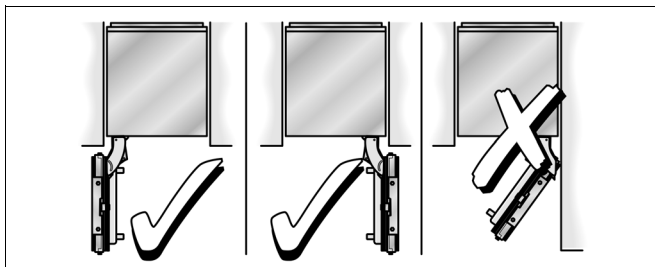
IMPORTANTE / NOTA – Este símbolo se utiliza para llamar la atención del usuario respecto de algo en particular.

Opciones de instalación

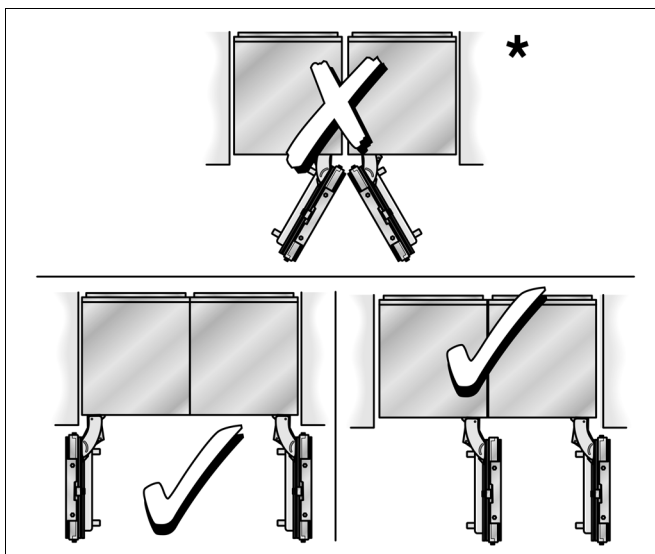
Existen diversas opciones de instalación.

Están limitadas exclusivamente por el diseño de la cocina y la función de la protección para los dedos.

Unidad individual



Side-by-Side (Lado a lado)

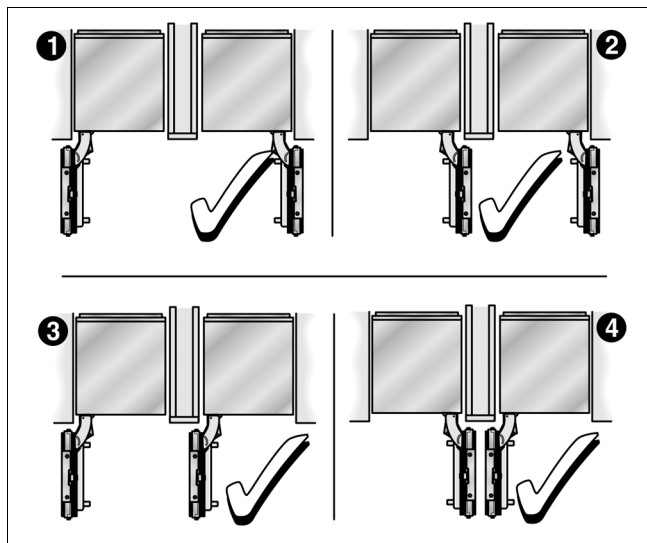


* ¡Separación requerida!

Si instala 2 electrodomésticos lado a lado, debe utilizar un juego Basic Combination Side-by-Side Sealing kit (combinación básico y sellado lado a lado) a fin de asegurar una unión estable.

Vea la sección de «Accesorios opcionales» en página 102.

Electrodomésticos individuales con separación



- Si dimensiona los espacios para el modelo 4, tenga en cuenta el espesor de los paneles frontales de los muebles, a fin de evitar daños si se abren las dos puertas simultáneamente.
- Utilice el Extreme Combination Heating kit (combinación y calentamiento) si el espacio entre los dos electrodomésticos es menor que 6" (160 mm).
Consulte la sección «Accesorios opcionales» en página 102.
- La separación mínima debe ser de $\frac{5}{8}$ " (16 mm).

En el final de las unidades de cocina

Si uno de los lados del electrodoméstico está a la vista, debe colocarse un panel lateral.

El panel lateral debe sujetarse firmemente en la pared, el piso y el mueble o adorno superpuesto antes de colocar el electrodoméstico en la cavidad.

Las dimensiones del panel lateral, deben tomarse en la pared opuesta de la cavidad. Controle durante la instalación que la cavidad esté a escuadra y que tenga las dimensiones adecuadas.

Emplazamiento de la instalación

ADVERTENCIA

No instale el electrodoméstico:

- a la intemperie,
- en un ambiente donde gotee agua,
- en ambientes donde existe peligro de heladas.

El electrodoméstico es muy pesado. Por los pesos del equipo vacío, consulte la tabla siguiente:

Refrigerador de 24"	aprox. 310 lbs/140 kg
Refrigerador de 30"	aprox. 350 lbs/158 kg
Congelador de 18"	aprox. 255 lbs/115 kg*
Congelador de 24"	aprox. 300 lbs/135 kg*
Congelador de 30"	aprox. 335 lbs/150 kg*
Conservador de vinos 18"	aprox. 300 lbs/135 kg
Conservador de vinos 24"	aprox. 360 lbs/160 kg

(* sin expendedor de agua)

Ambiente de emplazamiento

El electrodoméstico debe instalarse en un ambiente seco y bien ventilado.

La temperatura del ambiente no debe descender de los 55 °F (13 °C) o aumentar más allá de los 110 °F (43 °C). De lo contrario puede no funcionar correctamente.

El lugar de emplazamiento no debe estar expuesto a la luz solar directa, ni cerca de una fuente de calor como una estufa, radiador, etc.

Si es inevitable instalarlo cerca de una fuente de calor, utilice una placa aislante adecuada o asegure una distancia mínima respecto de la fuente de calor:

- Cocinas eléctricas o de gas: 1¹/₄" (30 mm).
- Cocinas de gas-oil o de carbón: 12" (300 mm).

Cavidad de instalación

Es importante observar las dimensiones especificadas para la cavidad de instalación a fin de garantizar una instalación del electrodoméstico sin problemas y para una vista general adecuada del mueble.

Controle particularmente que la cavidad esté a escuadra.

Esto puede controlarse con herramientas adecuadas, como un nivel de agua, mediciones en diagonal, etc.

Las paredes laterales de la cavidad deben ser planas.

El espesor mínimo de las paredes laterales y la pared superior debe ser de ⁵/₈" (16 mm).

El espesor mínimo de panel de protección debe ser de ¹/₂" (13 mm). Se recomienda un espesor de ³/₄" (19 mm).

Muebles y adornos

El electrodoméstico debe atornillarse firmemente a los muebles o adornos adyacentes y superpuestos.

A tal fin es esencial que todos los muebles o adornos estén firmemente sujetos al suelo o las paredes con medios adecuados.

Base

ADVERTENCIA

Un electrodoméstico plenamente cargado es muy pesado. Consulte la tabla siguiente para la carga total requerida de la base:

Refrigerador de 24"	aprox. 890 lbs/400 kg
Refrigerador de 30"	aprox. 1110 lbs/500 kg
Congelador de 18"	aprox. 560 lbs/250 kg*
Congelador de 24"	aprox. 780 lbs/350 kg*
Congelador de 30"	aprox. 950 lbs/425 kg*
Conservador de vinos 18"	aprox. 550 lbs/245 kg
Conservador de vinos 24"	aprox. 694 lbs/310 kg

(* sin expendedor de agua)

Para asegurar que el electrodoméstico esté firmemente montado y funcione correctamente, la base de apoyo debe ser plana y horizontal.

La base debe ser de material duro y rígido.

La zona de instalación deben presentar la misma altura que el resto del ambiente.

Para dar cuenta del elevado peso del electrodoméstico plenamente cargado, se requiere que la base resista la carga en cuestión. Si tiene dudas, consulte a un arquitecto o experto en construcción.

Conexión a la red de alimentación

⚠️ ADVERTENCIA ⚠️

Peligro de descargas eléctricas

- Conéctelo a un tomacorriente de 3 conductores con conexión a tierra.
- No desconecte el contacto de toma de tierra.
- No utilice adaptadores.
- No utilice cables de prolongación.

El incumplimiento de estas instrucciones puede ser causa de la muerte, incendios o descargas eléctricas.

El electrodoméstico se entrega con un conductor de alimentación de 3 cables, listado según UL.

El electrodoméstico requiere de un tomacorriente de 3 conductores.

Este tomacorriente debe instalarlo un electricista con la licencia debida.

La toma de corriente tiene que estar protegida con un fusible de 10–16 amperios. Rogamos tener en cuenta a tal fin, la tabla siguiente:

Electrodoméstico	Carga simultánea máxima
Refrigerador de 24"	2,0 Amper
Refrigerador de 30"	2,0 Amper
Congelador de 18" (incl. expendedor de agua)	3,5 Amper
Congelador de 24" (incl. expendedor de agua)	4,0 Amper
Congelador de 30" (incl. expendedor de agua)	4,5 Amper
Conservador de vinos 18"	2,0 Amper
Conservador de vinos 24"	2,0 Amper

Oriente el borne de puesta a tierra hacia abajo según se muestra en las figuras.

Por la ubicación de los tomacorrientes, consulte las «Medidas de emplazamiento» en página 94.

Procedimiento de puesta a tierra adicional

Algunas disposiciones locales exigen una puesta a tierra adicional. En este caso debe adquirirse por separado el cable, las grampas y los tornillos accesorios.

Nunca conecte a tierra el electrodoméstico en tuberías de plástico, de gas o de agua.

Instrucciones de conexión a tierra

Este electrodoméstico debe conectarse a tierra.

En caso de un fallo en el funcionamiento o una rotura, la conexión a tierra reduce el riesgo de descargas eléctricas, proveyendo una vía de resistencia menor para la corriente eléctrica.

⚠️ ADVERTENCIA ⚠️

Una conexión inadecuada del conductor de puesta a tierra puede ser causa de una descarga eléctrica. Haga controlar el electrodoméstico por un electricista calificado o personal del servicio técnico si tiene dudas respecto de una conexión a tierra correcta.

Conexión del agua

⚠️ ATENCIÓN ⚠️

¡Conectar el electrodoméstico exclusivamente a una tubería de agua potable!

Se requiere de una conexión de agua fría, para el funcionamiento del generador automático de hielo. La presión del agua debe estar comprendida entre 25 a 120 p.s.i. (1,72 a 8,25 bar). La instalación debe cumplir con las reglamentaciones de tubería de agua locales y las leyes nacionales correspondientes.

Debe instalarse una válvula de cierre en la conexión de agua del electrodoméstico.

La válvula de cierre no debe encontrarse detrás del electrodoméstico. Se recomienda instalar dicha válvula en la cercanía inmediata del electrodoméstico (unidad base) o en otra zona de fácil acceso.

Durante la instalación del agua, observe las zonas de instalación permitidas para la tubería. Por las zona mencionadas y sus medidas, consulte «Medidas de instalación» en página 94.

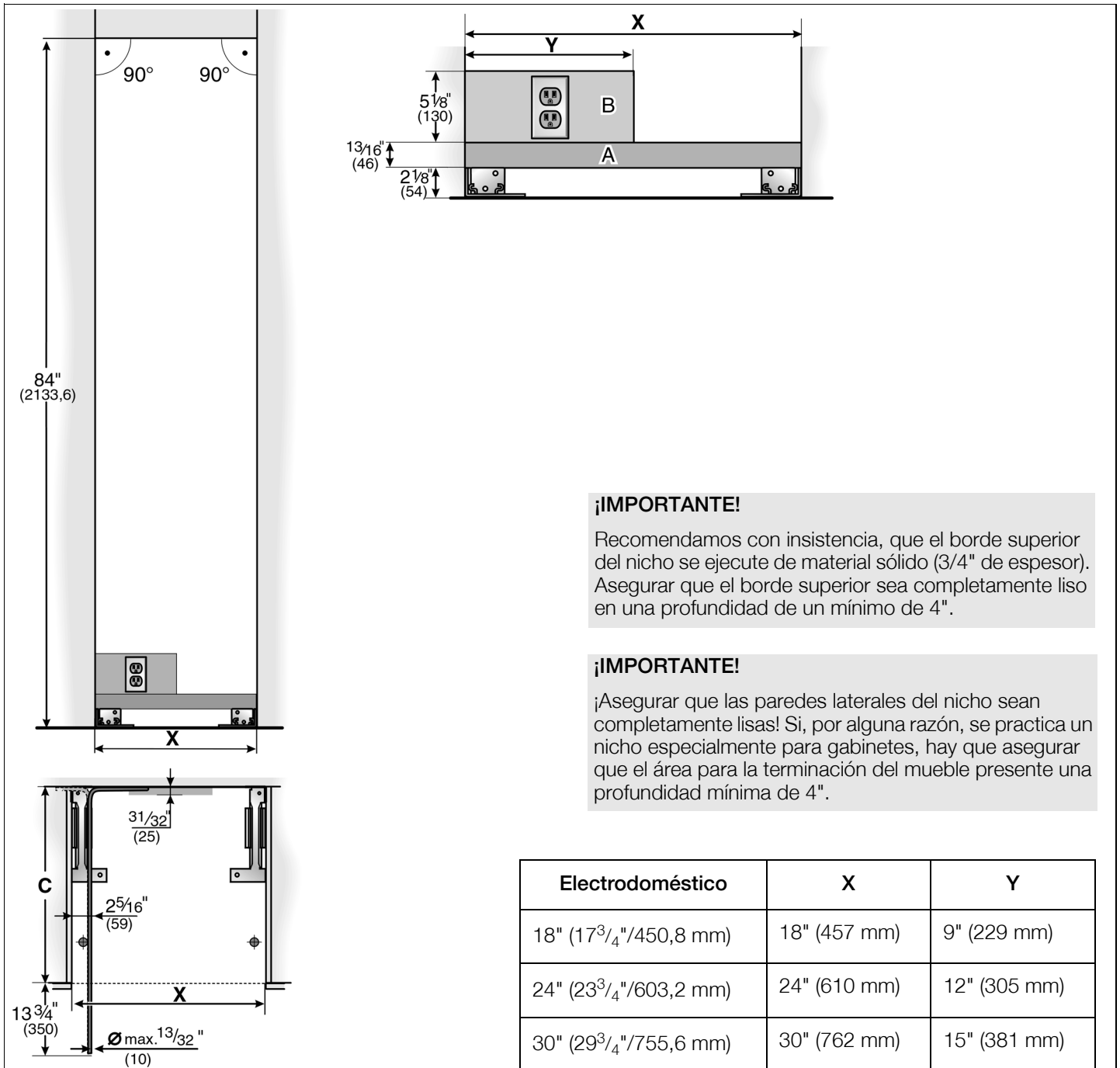
La tubería de alimentación puede ubicarse al costado derecho (a), al costado izquierdo (b), o debajo (c).

El diámetro externo máximo de la tubería (sin las monturas): $1\frac{3}{32}$ " (10 mm).

Sujete la válvula para la conexión de agua, en un sitio de fácil acceso. ¡No utilice una válvula de conexión por perforado!

Medidas de instalación

Instalación simple



Leyenda:

A Zona para la instalación de la conexión de agua
Recomendamos que el depósito de agua se instale al lado abertura de instalación, por razones de servicio, de modo que pueda accederse al mismo sin desinstalar el electrodoméstico. Si esto no fuera posible, instale el depósito de agua al lado del tomacorrientes a la altura de las áreas A+B.

B Zona para la conexión a la red de potencia.
C Altura de la abertura, según el diseño de la cocina.
C = 24" (610 mm) como mínimo

NOTA:

La cavidad debe estar a escuadra. La pared lateral de la cavidad debe ser plana.

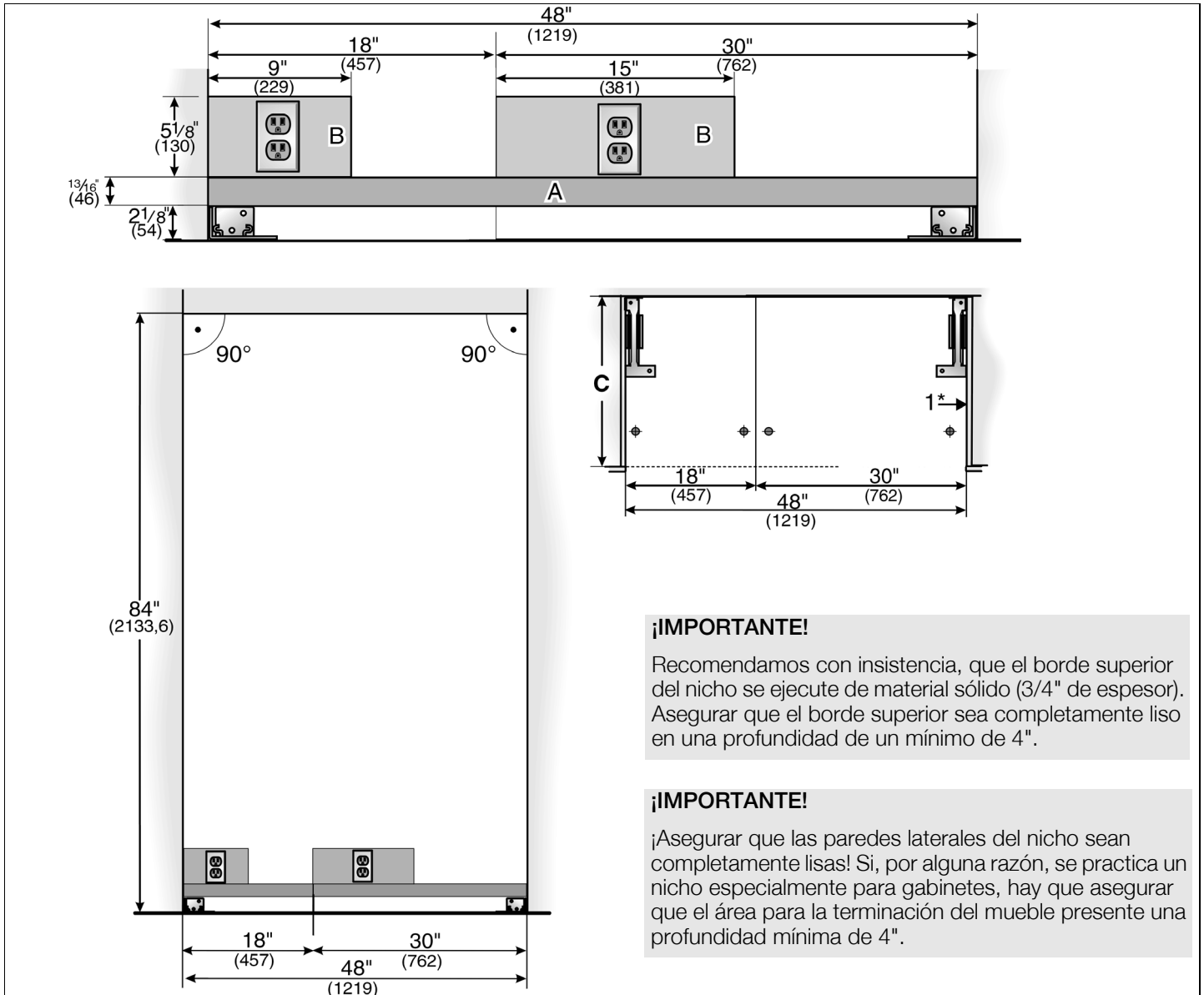
Instalación Side-by-Side (Lado a lado)

Las dimensiones para la cavidad indicadas arriba para el electro-doméstico correspondiente, deben aplicarse para la instalación Side-by-Side (Lado a lado) de dos electro-domésticos.

El ancho total de la cavidad resulta de la adición del ancho de la cavidad indicado para los dos electrodomésticos.

Ejemplo:

Congelador de 18"/Refrigerador de 30"



¡IMPORTANTE!

Recomendamos con insistencia, que el borde superior del nicho se ejecute de material sólido (3/4" de espesor). Asegurar que el borde superior sea completamente liso en una profundidad de un mínimo de 4".

¡IMPORTANTE!

¡Asegurar que las paredes laterales del nicho sean completamente lisas! Si, por alguna razón, se practica un nicho especialmente para gabinetes, hay que asegurar que el área para la terminación del mueble presente una profundidad mínima de 4".

Leyenda:

A Zona para la instalación de la conexión de agua

Recomendamos que el depósito de agua se instale al lado abertura de instalación, por razones de servicio, de modo que pueda accederse al mismo sin desinstalar el electrodoméstico. Si esto no fuera posible, instale el depósito de agua al lado del tomacorrientes a la altura de las áreas A+B.

B Zona para la conexión a la red de potencia.

C Altura de la abertura, según el diseño de la cocina.

C = 24" (610 mm) como mínimo

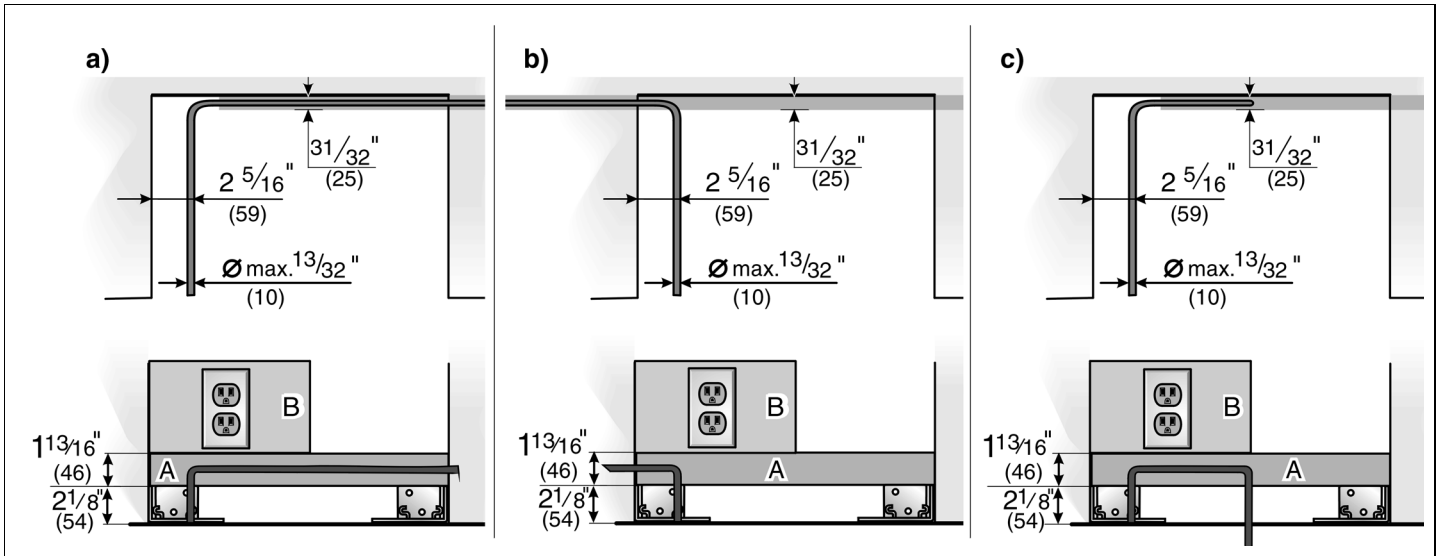
NOTA:

La cavidad debe estar a escuadra. La pared lateral de la cavidad debe ser plana.

Conexión del agua

La tubería de alimentación puede ubicarse

- a) al costado derecho,
- b) al costado izquierdo,
- o
- c) debajo.

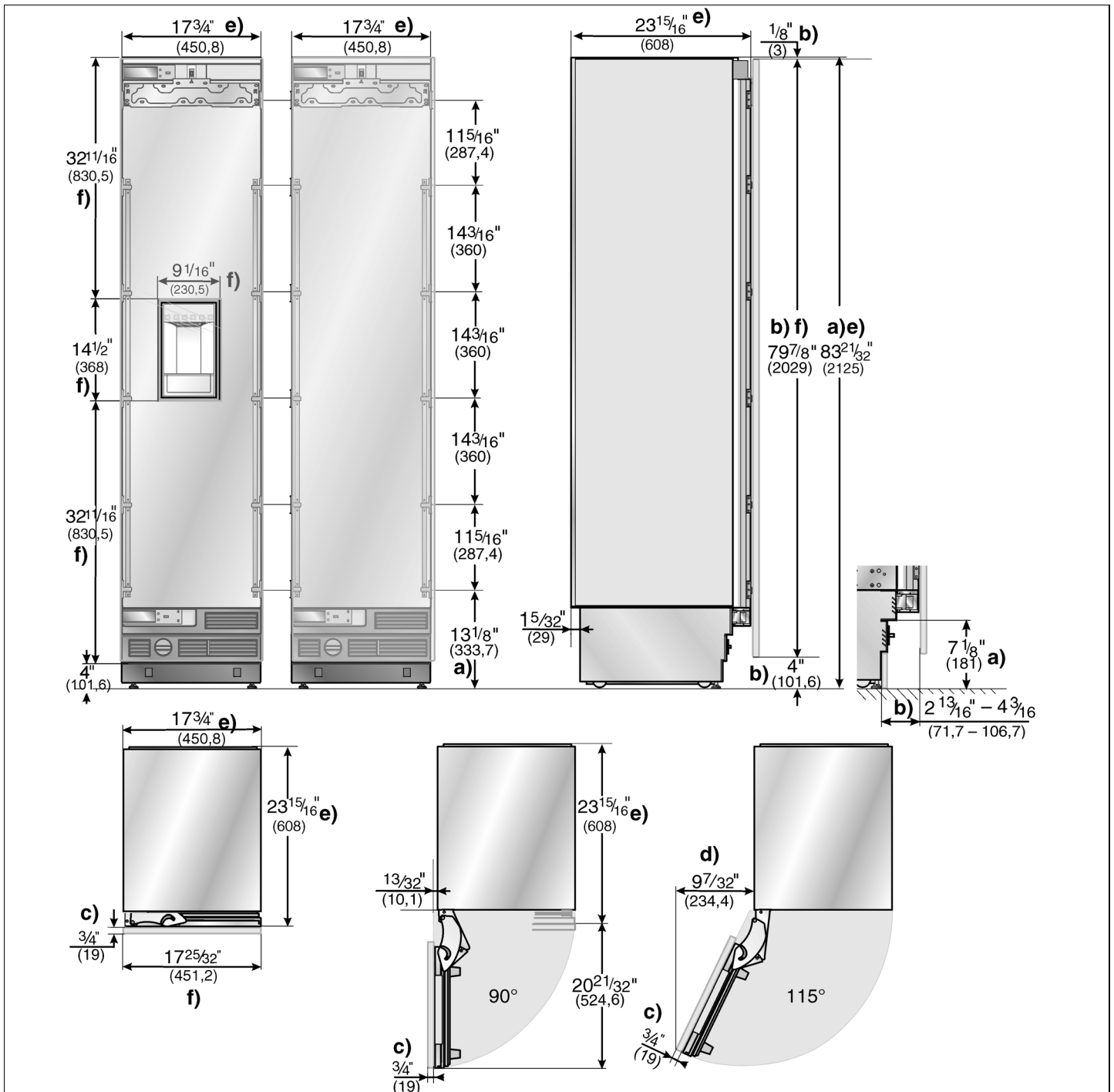


Legenda:

- A Zona para la instalación de la conexión de agua
- B Zona para la conexión a la red de potencia

Medidas del electrodoméstico

Electrodoméstico de 18" (Congelador/Congelador con dispensador de agua)



Leyenda:

- a) Ajuste con patas niveladoras +1 3/8" (35 mm) / -1/2" (13 mm).
- b) Las medidas pueden variar.
- c) El espesor del panel puerta puede variar.

d) Esta medida puede variar dependiendo de la instalación, el espesor del panel y el equipamiento de la cocina.

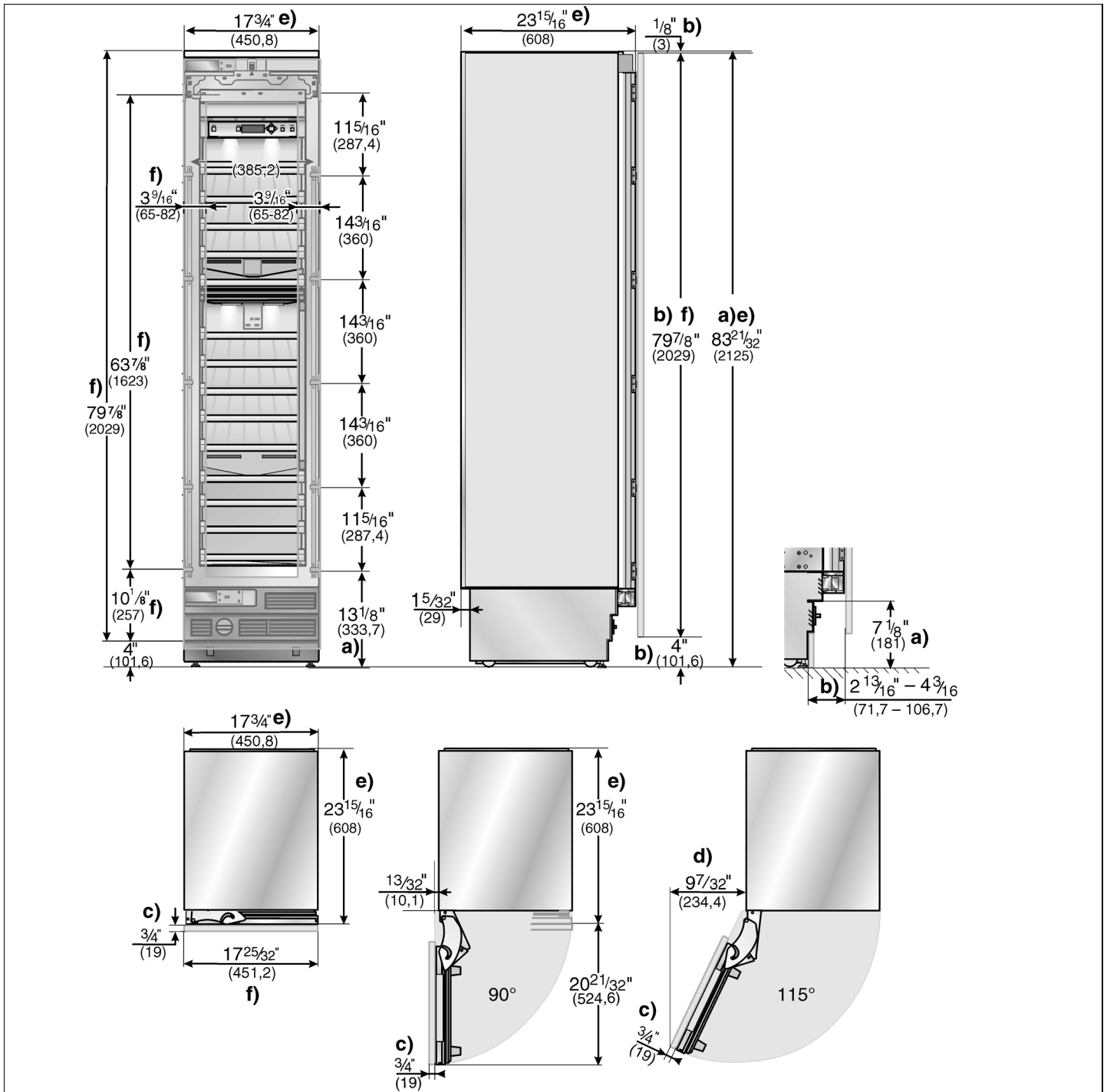
e) Medidas de la unidad.

f) Medidas del panel puerta.

Note:

Se visualiza un diseño de panel de madera.

Electrodoméstico de 18" (Conservador de vinos)



Leyenda:

- a) Ajuste con patas niveladoras $+1\frac{3}{8}$ " (35 mm)/
 $-\frac{1}{2}$ " (13 mm).
- b) Las medidas pueden varias.
- c) El espesor del panel puerta puede varias.

d) Esta medida puede variar dependiendo de la instalación, el espesor del panel y el equipamiento de la cocina.

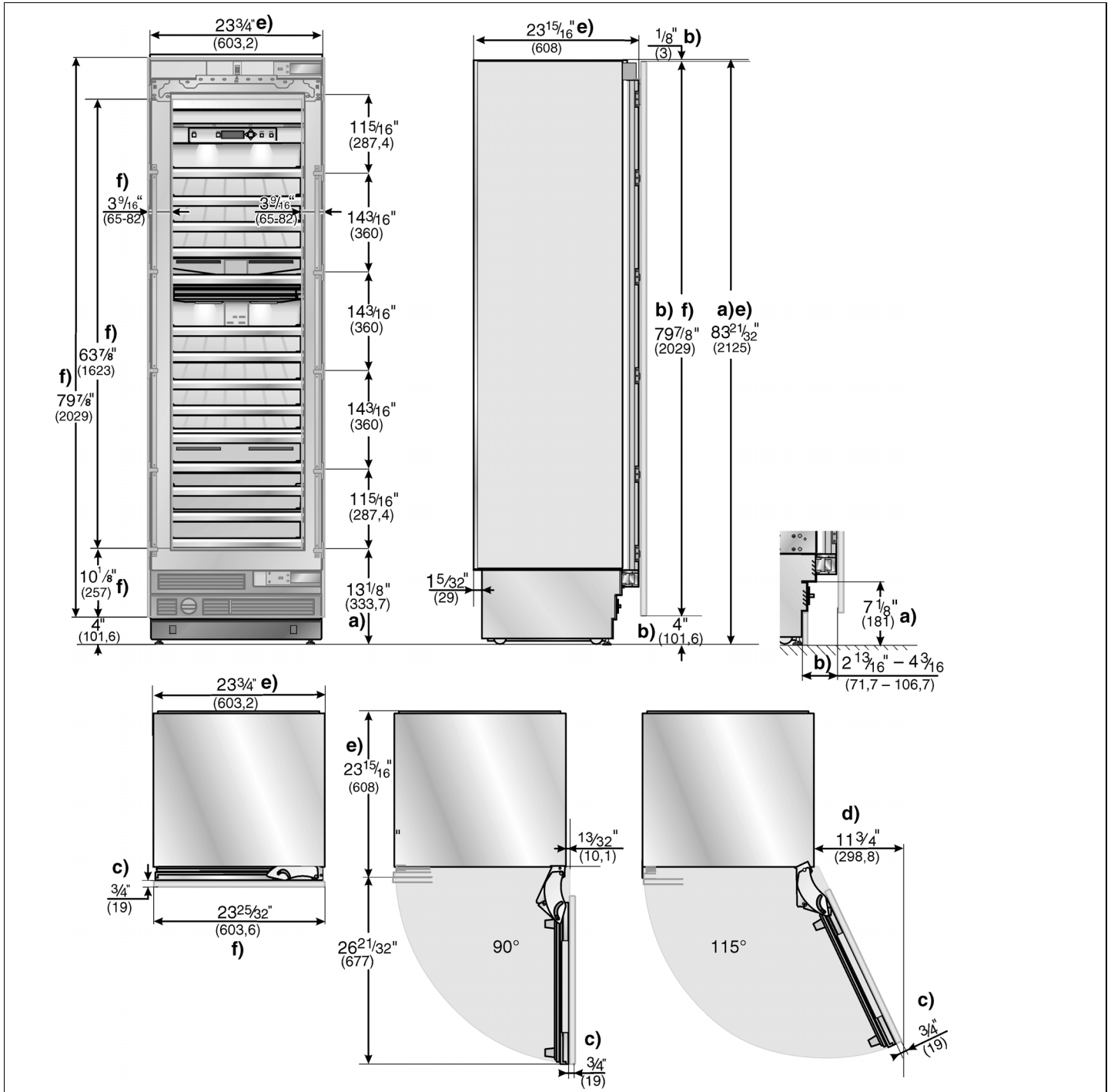
e) Medidas de la unidad.

f) Medidas del panel puerta.

Note:

Se visualiza un diseño de panel de madera.

Electrodoméstico de 24" (Conservador de vinos)



Leyenda:

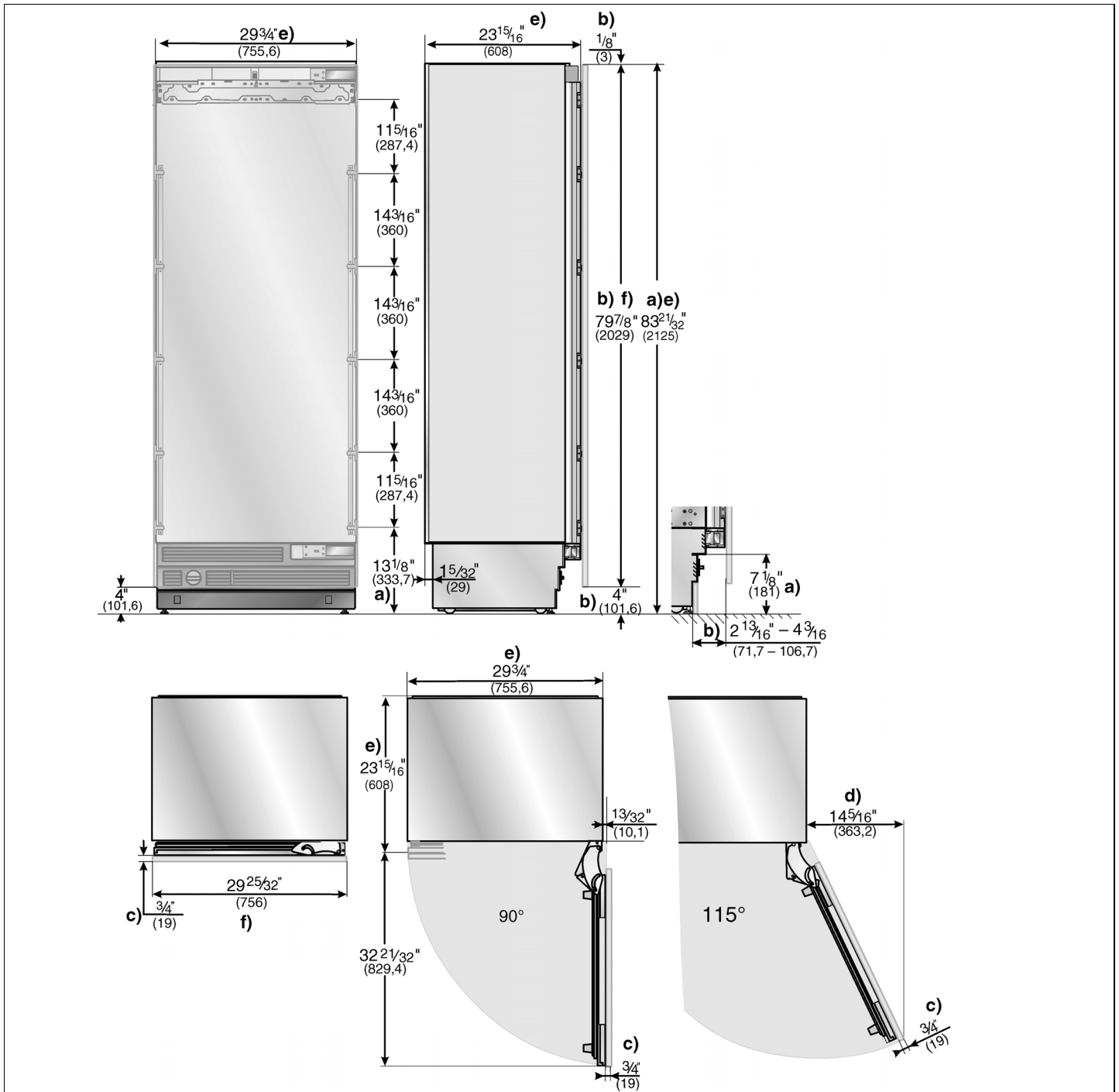
- a) Ajuste con patas niveladoras $+1\frac{3}{8}''$ (35 mm) / $-\frac{1}{2}''$ (13 mm).
- b) Las medidas pueden variar.
- c) El espesor del panel puerta puede variar.

- d) Esta medida puede variar dependiendo de la instalación, el espesor del panel y el equipamiento de la cocina.
- e) Medidas de la unidad.
- f) Medidas del panel puerta.

Note:

Se visualiza un diseño de panel de madera.

Electrodoméstico de 30" (Refrigerador/Congelador/Congelador con dispensador de agua)



Leyenda:

- a) Ajuste con patas niveladoras + $1\frac{3}{8}$ " (35 mm) / - $\frac{1}{2}$ " (13 mm).
- b) Las medidas pueden variar.
- c) El espesor del panel puerta puede variar.

- d) Esta medida puede variar dependiendo de la instalación, el espesor del panel y el equipamiento de la cocina.
- e) Medidas de la unidad.
- f) Medidas del panel puerta.

Note:

Se visualiza un diseño de panel de madera.

Accesorios y herramientas necesarias

Accesorios que forman parte volumen de entrega

- Instrucciones para el montaje
- Instrucciones de funcionamiento
- Juego de instalación

Accesorios opcionales

Basic Combination Side-by-Side Sealing kit (combinación básico y sellado lado a lado)

Para la conexión permanente de dos electrodomésticos individuales. P. ej. un congelador al lado de un refrigerador.

Extreme Combination Heating kit (combinación y calentamiento)

Si el espacio entre los electrodomésticos es menor que 6" (160 mm).

Pieza de unión de partes (franja metálica)

Para la colocación de dos puertas de muebles. Puede utilizarse sin tener que efectuar trabajos preliminares para puertas de mueble con altura estándar.

Otros accesorios necesarios para salidas especiales

Juego para la instalación de un generador de hielo con línea de 1/4" de cobre

Para electrodomésticos que requieren agua. P. ej. para un generador de hielo.

Diámetro máximo de la tubería de agua (sin accesorios): 13/32" (10 mm).

Herramientas

- Destornillador a batería T20
- Destornillador tipo Torx T20
- Bit tipo Torx T20 + un soporte magnético
- Destornillador de ranura en cruz 5/16" (8 mm)
- Brocas para madera de diversas medidas
- Llave de boca 1/2" (SW 13 mm)

- Pinza universal
- Llave ajustable
- Cuchilla de hoja ajustable
- Cinta de medir metálica
- Escuadra
- Nivel de agua de 2' (60 cm) y 4' (1,2 m)
- Nivel marcador, con una longitud mínima de 4' (1,2 m) para electrodomésticos individuales o 7' (2,0 m) para instalación Side-by-Side (Lado a lado).

Otros

- Escalera
- Carro de mano
- Perforadora para practicar orificios en paredes o pisos
- Bits de diferentes tamaños y materiales
- Viguetas de madera (sección transversal mínima de 3" x 4") como protección alternativa contra vuelcos, de longitud adecuada al ancho de la cavidad.
- Tornillos de madera de diferentes tamaños
- Material delgado (máx. 1/16" (1,5 mm)), adecuado para evitar daños en el piso (p. ej. linóleo)
- Material adecuado para cubrir y proteger los muebles (p. ej. láminas de protección)
- Cinta adhesiva

IMPORTANTE

Verificar antes de usar la cinta adhesiva si ésta deja restos de adhesivo en las superficies de los componentes. En caso de que así fuera, no deberá usarse en aparatos con superficies delicadas y de alta calidad.

Instrucciones de instalación

Las instrucciones de montaje siguientes describen los pasos a seguir para el montaje de los diferentes tipos de equipos:

- unidades de refrigeración
- unidades de congelación
- unidades de congelación con procesador para hielo
- unidades de depósito para vinos

Por ello puede ocurrir que las representaciones en las figuras diverjan de la realidad.

Se advierte especialmente respecto de pasos de montaje especiales para tipos de equipos individuales.

1. Control de la cavidad para la instalación

ATENCIÓN

Para asegurar una instalación sin problemas y una vista adecuada del frente del mueble a instalar, controle prolijamente la cavidad para que la instalación cumpla con los requerimientos del caso.

Antes de comenzar con la instalación, controle que la cavidad cumpla con todos los requerimientos para una instalación segura y sin problemas.

- Controle la base.
Siga las instrucciones de la sección «Emplazamiento de instalación» en página 92.
- Controle las medidas de la cavidad.
- Controle que la cavidad esté a escuadra.
- Controle la ubicación del tomacorriente.
Siga las instrucciones de la sección «Conexión a la red de alimentación» en página 93 y la sección «Medidas de instalación» en página 94.
- Controle la ubicación de la conexión del agua (únicamente en caso de electrodomésticos con generador de hielo).
Siga las instrucciones de la sección «Conexión del agua» en página 93.
- Controle la sujeción de los muebles o adornos adyacentes. Todos los muebles en las cercanías del electrodoméstico deben estar firmemente sujetos a las paredes.
- Controle que los muebles o adornos adyacentes no colisionen (ángulo de apertura de las puertas).

2. Transporte del equipo

ADVERTENCIA

El equipo es muy pesado. Por ello debe tenerse especial cuidado, ya que eventuales colaboradores pueden verse lesionados o el equipo puede sufrir daños.

- Transportar el equipo con elementos de transporte adecuados al sitio de emplazamiento y al equipo mismo (carretilla para sacos, elevador a horquillas o carro).
- Asegurar el electrodoméstico para que no pueda volcarse durante el transporte.

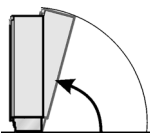

El equipo presenta una altura de $83\frac{21}{32}$ " (2125 mm). Si no se puede transportar el equipo en posición vertical, debido a las características constructivas del sitio, puede transportárselo acostado.

ATENCIÓN

¡No erigir el electrodoméstico sujetándolo de las paredes laterales!

Existe riesgo de daños en el electrodoméstico.

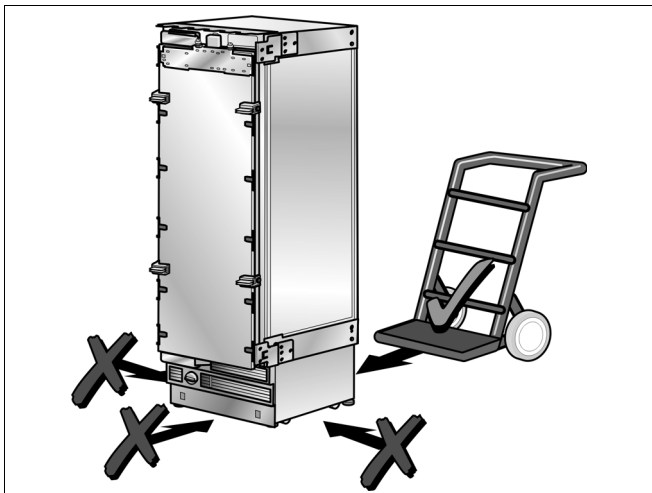
Tener en cuenta la altura mínima necesaria en el sitio de emplazamiento cuando se quiere parar el equipo, siguiendo los datos de la tabla siguiente:

Parar el equipo por la pared posterior	Parar el equipo por la pared lateral
	
La altura mínima 86"/2185 mm	¡No erigir el electrodoméstico sujetandolo de las paredes laterales!

ATENCIÓN

Aplicar la carretilla de transporte siempre en el centro de la parte posterior del aparato. ¡No aplicarla nunca en la parte frontal o en uno de los laterales!

¡El aparato puede sufrir daños o desperfectos!



- Mueva el electrodoméstico mediante un carrito de mano.

3. Desembalaje

⚠️ ADVERTENCIA ⚠️

- El electrodoméstico puede volcar durante el desembalaje.
- El electrodoméstico es extremadamente pesado.
- El electrodoméstico puede volcar hacia delante, cuando abra la puerta del mismo.

Sea cuidadoso, de otra manera puede lesionarse la gente que le ayuda, o puede dañarse el electrodoméstico.

- Para proteger la base de daños durante la instalación: Sujete un trozo de paño, linóleo, etc. delante del sitio de emplazamiento.
- Quite el embalaje de transporte:
 - Quite el cartón. Utilice la cuchilla con cuidado para no rayar el electrodoméstico.
 - Retirar el material de embalaje.
 - Fijar el cable de conexión con cinta adhesiva en la parte posterior del aparato.
 - Soltar los seguros de transporte y retirar el aparato del palet de transporte, alzándolo a tal efecto – ¡prestar atención al elevado peso del aparato!
 - Retirar los accesorios sujetos al cuerpo exterior del aparato.

- Guardar las tiras adhesivas de los accesorios sujetos al aparato. Servirán posteriormente para fijar las protecciones de los bordes en las paredes del hueco de montaje (véase el capítulo 9.).
- Abrir las puertas del aparato cuidadosamente – ¡existe peligro de vuelco! – y retirar los accesorios y el material de montaje de su interior cerrar la puerta.

⚠️ ATENCIÓN ⚠️

Retirar los seguros de transporte de las bandejas y cajones del aparato sólo una vez que se ha instalado éste en su emplazamiento definitivo, de lo contrario podrían sufrir daños.

- Controle si el electrodoméstico presenta daños de transporte.

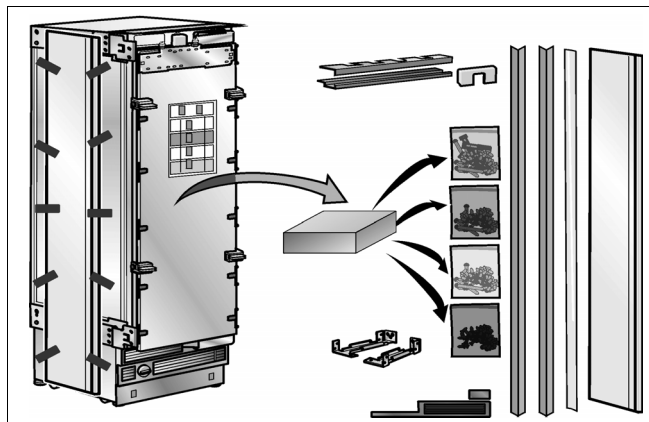
No instale el electrodoméstico si presenta daños visibles. En caso de dudas, consulte con su vendedor.

4. Preparativos para el montaje

Desembalar el material de montaje y los accesorios.

Con objeto de facilitar su identificación y posterior asignación a los diferentes pasos de trabajo, los embalajes tienen distintos colores.

¡Prestar atención a este efecto a la hoja orientativa sujeta el aparato!



5. Cambiando las bisagras



ADVERTENCIA

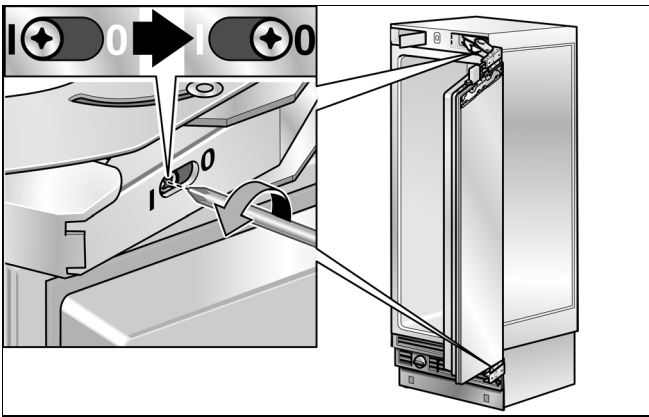


¡Antes de trabajar en las bisagras, quite los muelles!
¡Hay peligro de lesiones!

IMPORTANTE

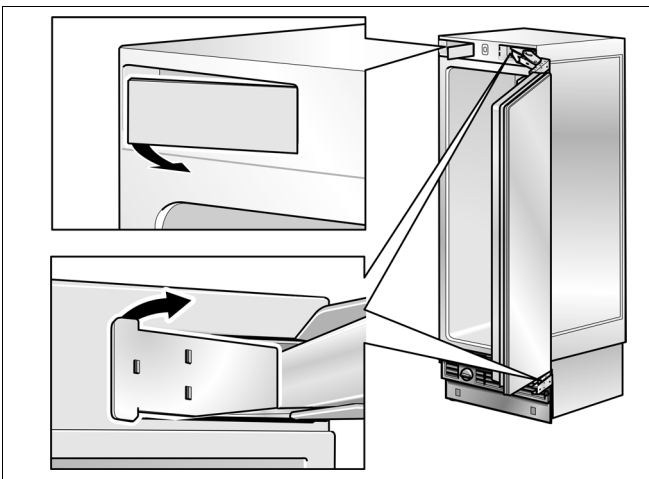
- Si no es necesario efectuar un cambio de los topes para la puerta, proseguir con el paso siguiente.
- En los congeladores equipados con dispensador de agua/hielo, no puede modificarse el sentido de apertura de la puerta.

Eliminar la tensión de los muelles

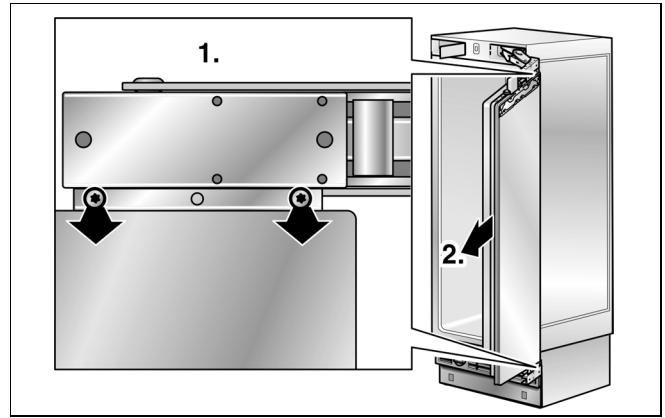


- Afloje el muelle de la bisagra. Afloje el tornillo 1 a 0.

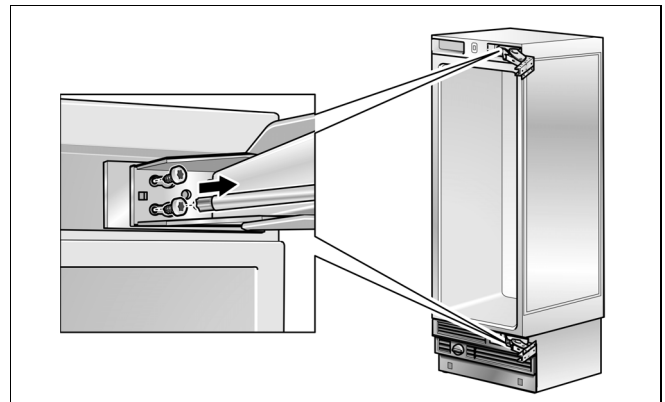
Cambiar el sentido de apertura de la puerta



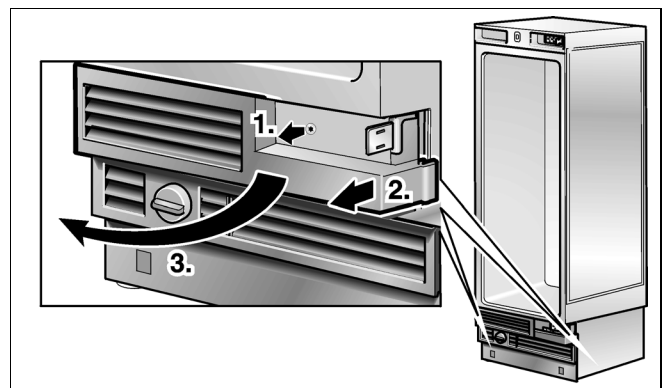
- Quite la caja de protección de la bisagra.



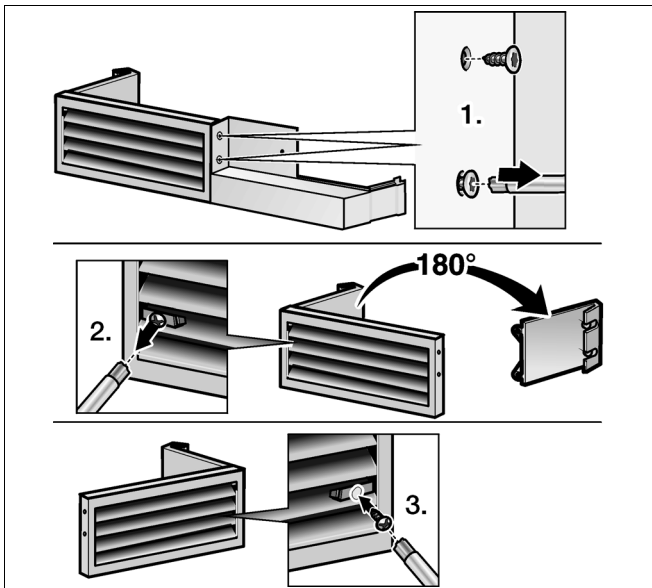
- Desatornille la puerta.



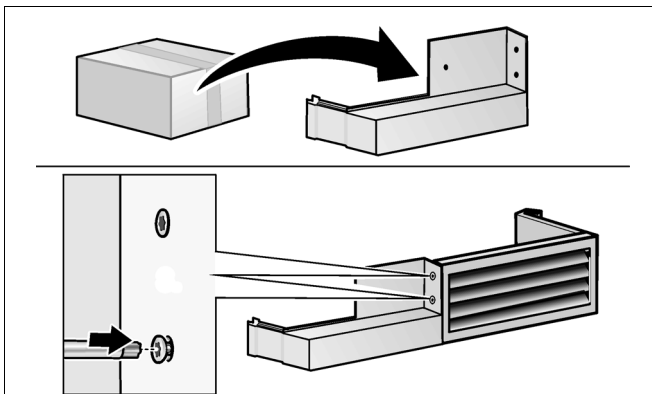
- Quite las bisagras.



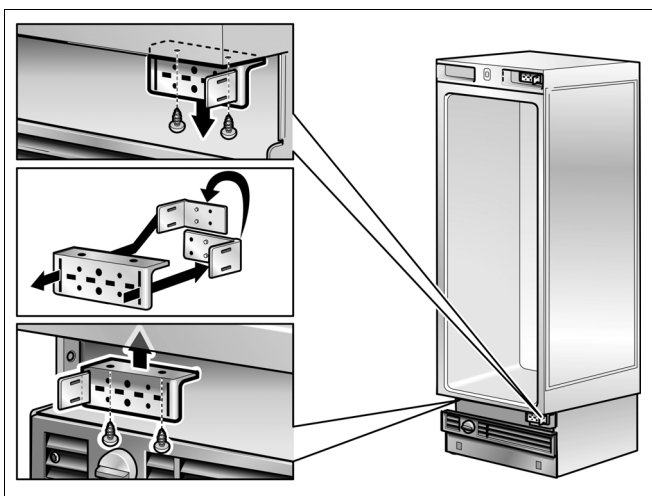
- Retirar la rejilla de ventilación.



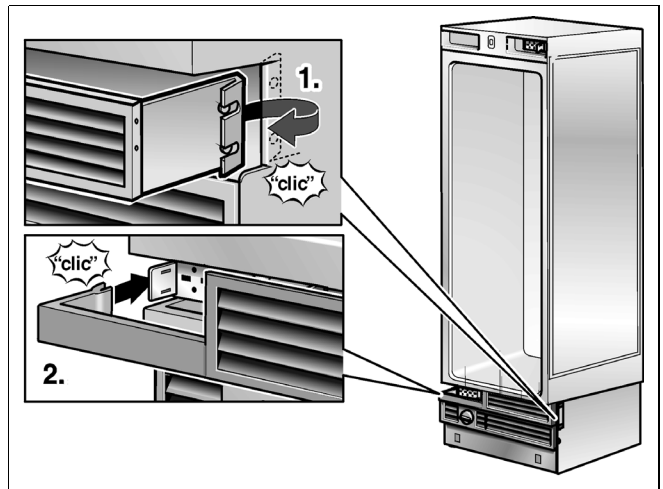
- Montar la rejilla para el cambio del sentido de apertura de la puerta.



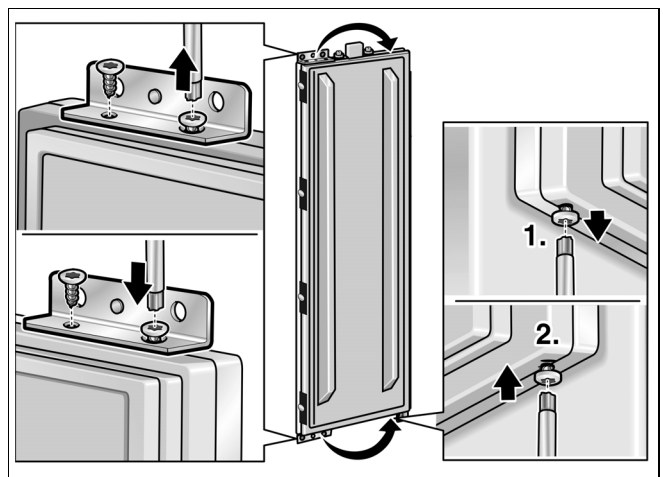
Para adaptar el aparato al cambio del sentido de apertura de la puerta, el volumen de suministro del aparato incluye una pieza de repuesto para la rejilla de ventilación.



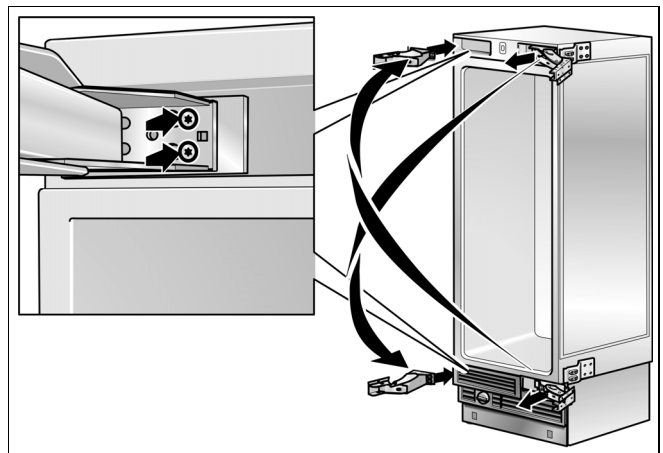
- Cambie de lado el ángulo de la bisagra.



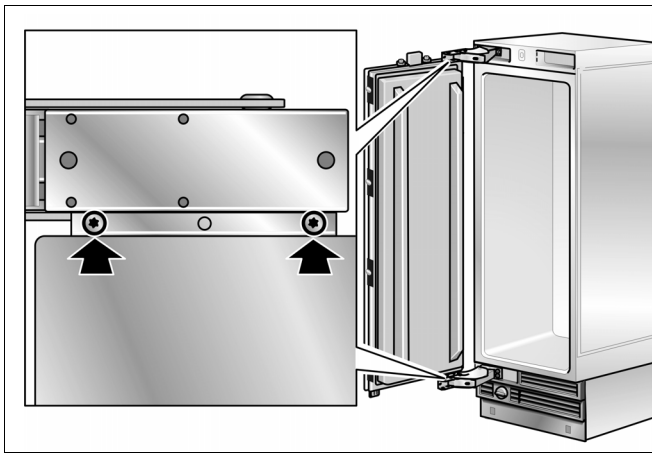
- Fijar la rejilla de ventilación.



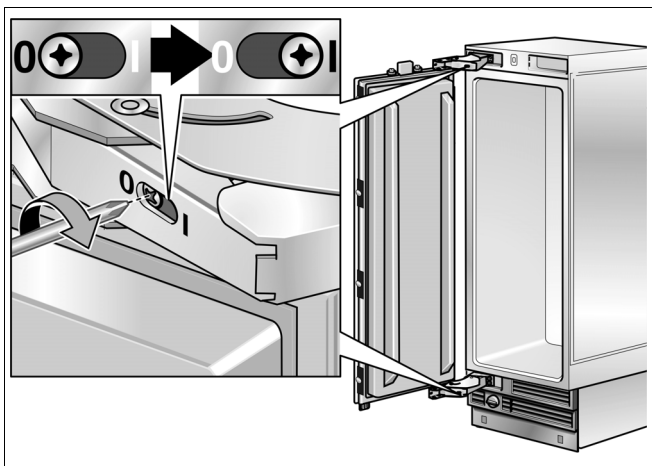
- Cambie de lado las piezas de sujeción en la puerta.



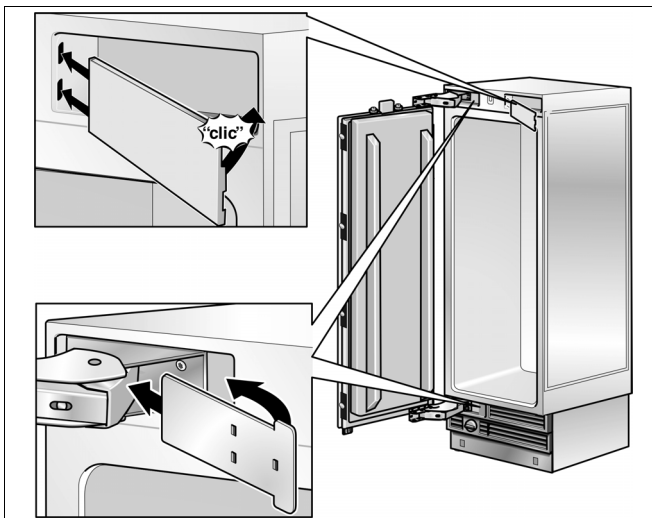
- Sujete las bisagras en el electrodoméstico. ¡Cambie las bisagras cruzadas!



- Sujete la puerta.



- Tensione el muelle de la bisagra. Ajuste el tornillo de 0 a I. Sujete luego la caja de cobertura de la bisagra.



- Sujete luego la caja de cobertura de la bisagra.

6. Preparación de la cavidad de instalación



ADVERTENCIA



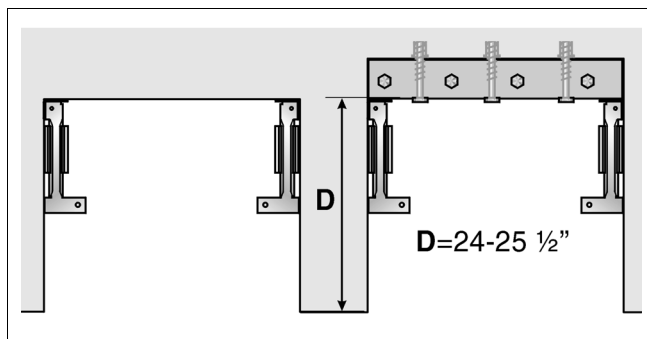
Asegure que no existan cables eléctricos o tuberías en las zonas donde deben penetrar los tornillos.

¡Existe peligro de lesiones y daños!

IMPORTANTE

- Se necesitan dos grampas antivuelco para cada electrodoméstico o combinación de electrodomésticos (Side-by-Side (Lado a lado)).
- El juego suministrado comprende diversos tronillos para diferentes instalaciones. Seleccione los tronillos de acuerdo a las condiciones.
- Si los tornillos de sujeción suministrados, no permiten sujetar con firmeza los soportes antivuelco y con ello el electrodoméstico, debe utilizarse otro método para una sujeción suficientemente firme.
- Si es posible, atornille las viguetas de madera sobre monturas ya existentes sobre la pared de la cavidad.
- En algunas instalaciones, el suelo o el subsuelo puede hacer necesario introducir los tornillos de madera que se emplean para sujetar las grampas antivuelco en la pared posterior, en ángulo.

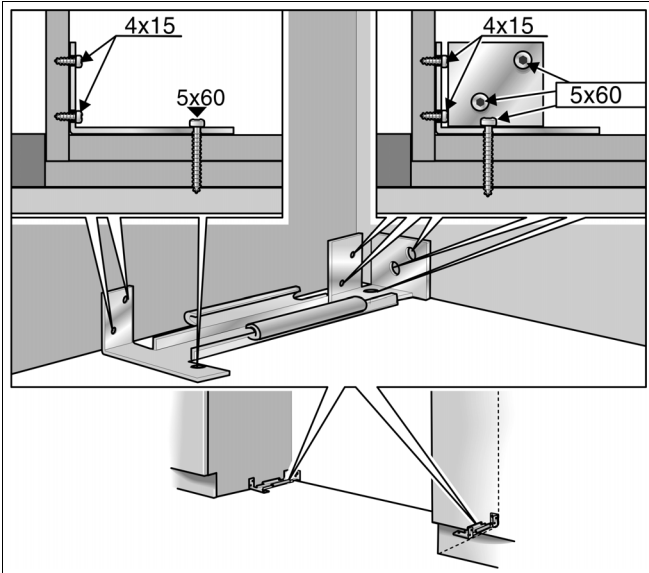
- Determine los puntos de montaje de las grampas antivuelco.
Determine las medidas en detalle, consultando la sección «Medidas de instalación» comenzando en página 94.



- Si la cavidad de instalación es de mayor profundidad que el electrodoméstico, coloque una vigueta de madera detrás de las grampas antivuelco, sujetándola firmemente a la base o la pared.
¡La longitud de la vigueta de madera debe ser igual al ancho de la cavidad de instalación!

Aplicación con piso de madera

Utilice los tornillos para madera que forma parte del volumen de entrega, consulte la figura de vista general «Utilización de los tornillos que forman parte del juego correspondiente».



- Practique perforaciones previas:
 - $1/8$ " (3 mm) para los tornillos de madera (5x60 mm)
 - $5/64$ " (2 mm) para los tornillos de madera (4x15 mm)
 Asegurando que los tornillos penetren a través del piso, por lo menos en $3/4$ " (19 mm) en la placa de la pared.
- Sujete completamente las grampas antivuelco. Asegúrese que los tornillos estén firmes.

Aplicación con piso de cemento



ATENCIÓN



Utilice siempre gafas y otros dispositivos de protección cuando instala o trabaja con tarugos.

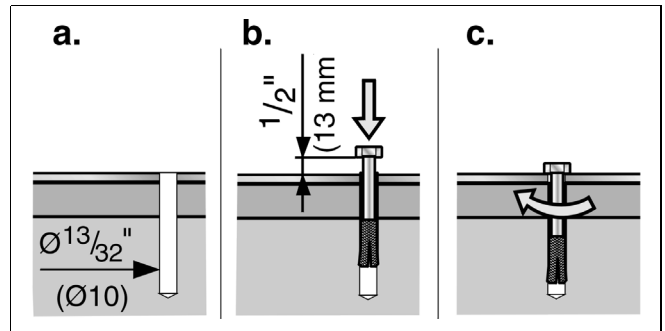
¡Peligro de lesiones!

No recomendado para ser usado en material de mampostería liviana como bloques y ladrillos.

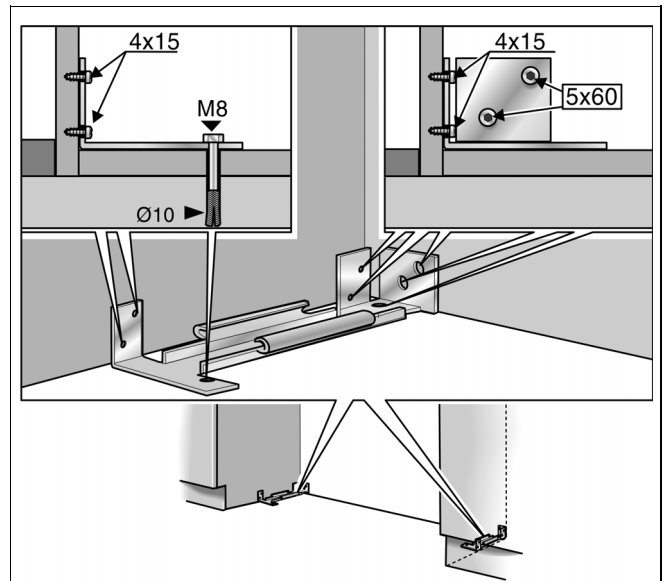
No recomendado para ser usado en cemento fresco que no ha tenido tiempo de fraguar.

No utilice brocas huecas para practicar perforaciones para los tarugos.

Utilice tarugos para cemento M8 y los tornillos correspondientes. Utilice adicionalmente los tornillos para madera, consulte la figura de vista general «Utilización de los tornillos que forman parte del juego correspondiente».



- Practique una perforación de $1\frac{3}{32}$ " (10 mm) de diámetro, con una profundidad que exceda el empotramiento mínimo. Utilice la broca provista.
- Limpie el orificio o continúe perforando a mayor profundidad.
- Enrosque el tornillo a mano en el tarugo, hasta sentir una resistencia leve.
- Hacer penetrar el tarugo con el tornillo a golpes, hasta que la cabeza del tornillo se encuentre a aprox. $1/2$ " (13 mm) de la grampa antivuelco.



- Ajuste el tornillo firmemente.
- Utilizar adicionalmente los tornillos para madera suministrados con el aparato (en caso de que el tipo de piso lo permita).

7. Montaje de un dispositivo antivuelco adicional

IMPORTANTE

Si no se pueden montar los soportes antivuelco con la firmeza requerida, puede montarse un dispositivo antivuelco alternativo. Sin embargo, debe asegurarse, de que no exista juego entre el electrodoméstico y el dispositivo antivuelco.

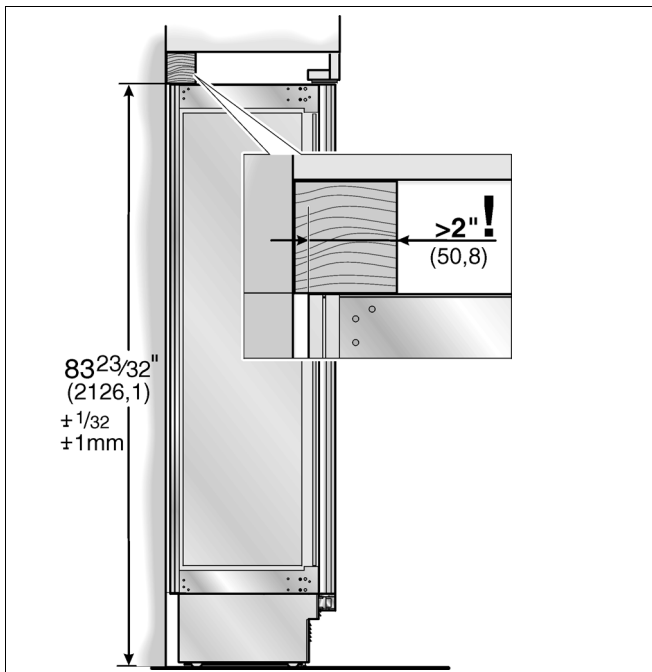
Si es posible, atornille las viguetas de madera sobre monturas ya existentes en la pared de la cavidad.

- Corte la vigueta de madera (sección transversal mín. 3" x 4") a la longitud requerida.

¡La longitud debe ser igual a la anchura de la cavidad de instalación!

NOTA

- Si la cavidad de instalación es más profunda que el electrodoméstico, selecciones una vigueta que presente una sección transversal mayor, o monte dos viguetas.
- La vigueta debe exceder el electrodoméstico en un mínimo de 2" (50,8 mm).



- Marque la altura de instalación (esquina inferior de la madera) sobre el panel posterior de la cavidad.

- Seleccione los tornillos de acuerdo al espesor de la vigueta de madera: longitud = mín. 2,5 x el espesor de la vigueta, diámetro # 12 o # 14.

NOTA

Especifique la cantidad de tornillos, de acuerdo al ancho de la cavidad, asegurando que la vigueta quede montada firmemente.

Según el tipo de piso:

- Ubique la pared vertical cerca de la pared posterior de la cavidad y marque las perforaciones en la vigueta.
o
- Fijar unos tacos adecuados en el panel posterior del hueco de montaje.
- Perfore previamente la vigueta de madera.
- Sujete la vigueta de madera en la pared posterior de la cavidad.

8. Preparación para conectar el agua

(solamente si el electrodoméstico requiere de una conexión de agua)



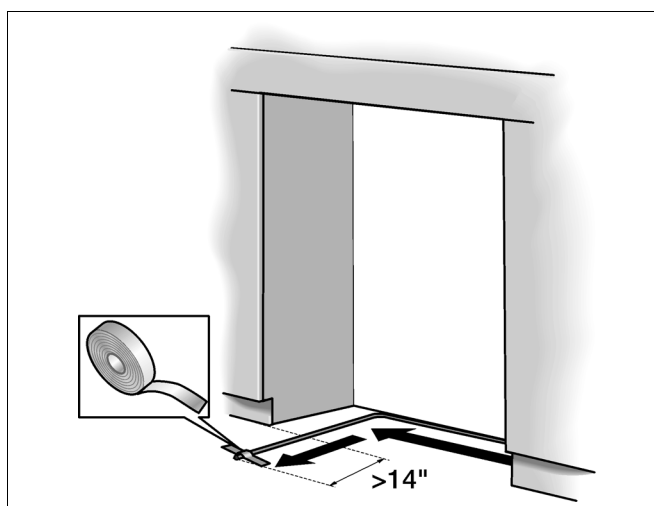
ATENCIÓN



Cierre la llave principal de agua, a fin de evitar daños debidos a la pérdida de agua.

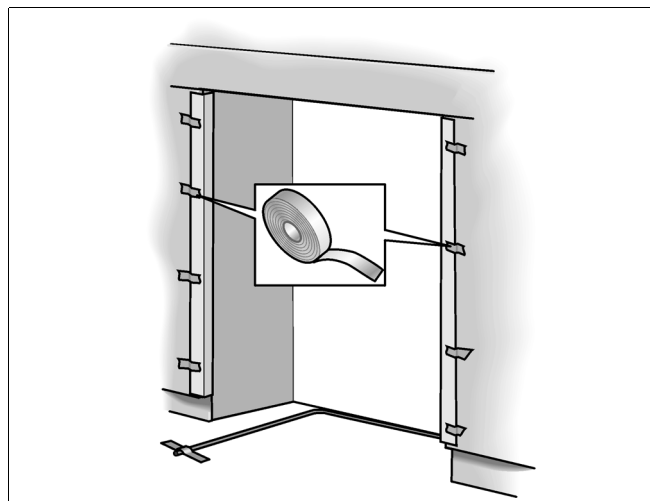
- Monte la tubería de conexión a la válvula de cierre, según las instrucciones suministradas por el fabricante de la instalación generadora de hielo.
- Instale la tubería de conexión.

Observe siempre las medidas de separación indicadas, a fin de evitar daños en la tubería de conexión, cuando coloca el electrodoméstico en su sitio.



- Sujete la tubería de conexión al suelo con cinta adhesiva.

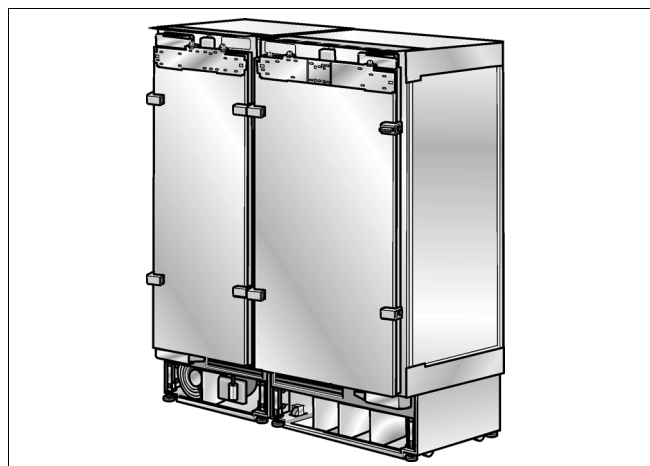
9. Protección de los bordes



Para proteger la hornacina, sujete los ángulos de protección con cinta adhesiva en las esquinas.

10. Instalación Side-by-Side (Lado a lado)

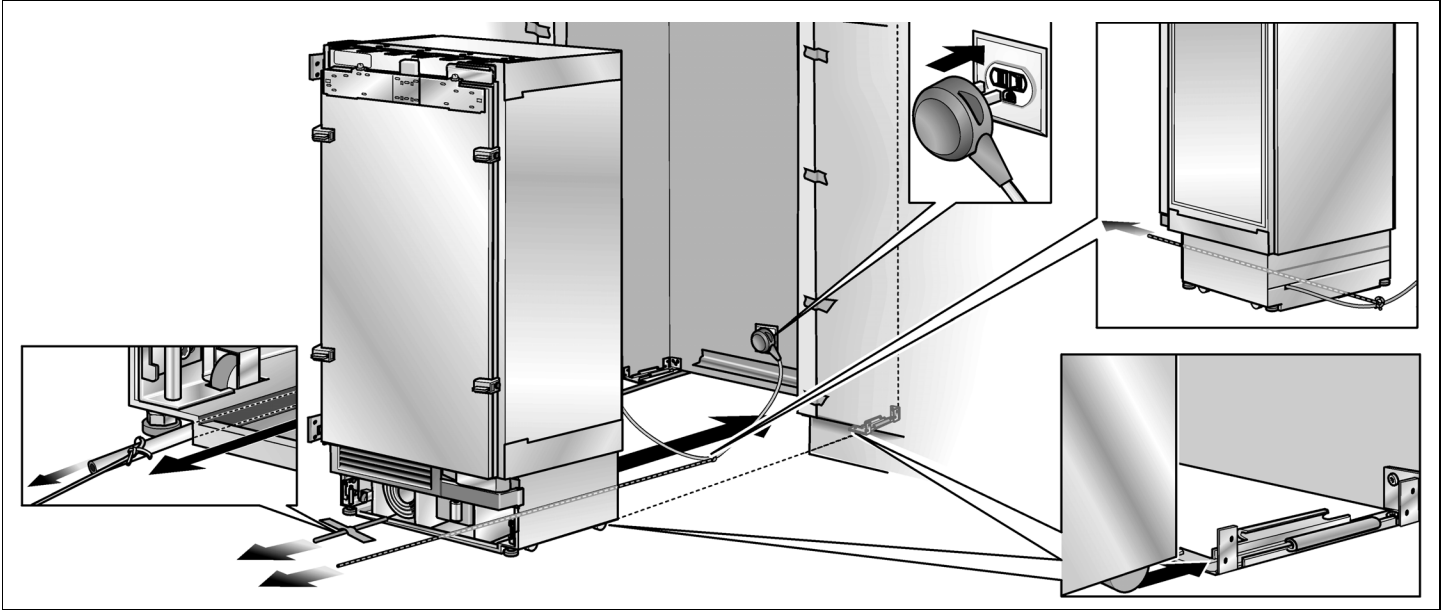
Si ha previsto un emplazamiento lado a lado, debe ahora unir ambos equipos.



Consulte el manual del instalación por la información concerniente a la Instalación Side-by-Side (Lado a lado).

Las siguientes operaciones deberán realizarse de modo análogo en caso de combinar dos aparatos.

11. Colocando el electrodoméstico en la cavidad de instalación



ATENCIÓN



Tenga cuidado al empujar el electrodoméstico al interior de la cavidad. No dañe la tubería de agua o el cable de alimentación sujetos al suelo.

- Empuje cuidadosamente el electrodoméstico hacia el interior de la cavidad.

IMPORTANTE

Si el piso o el electrodoméstico es inclinado respecto de la cavidad de instalación, ajuste las ruedas ajustables en altura, antes de introducir el electrodoméstico en la cavidad.

- Conecte el enchufe en el tomacorriente.

NOTA

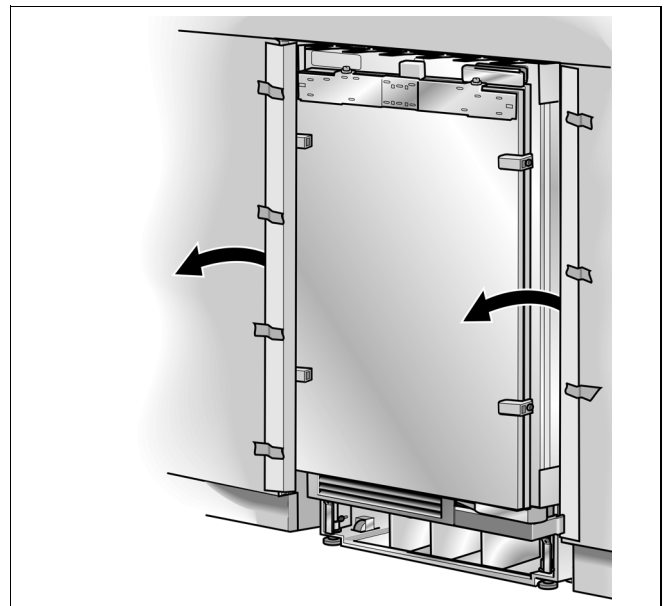
En caso de instalación Side-by-Side (Lado a lado), debe conectarse a cada electrodoméstico en un tomacorriente individual.

- Cuide de no dañar el cable de alimentación.

Sujete un pedazo de hilo en el medio del cable, llevándolo hacia delante debajo del electrodoméstico. Cuando introduzca el electrodoméstico, tire el cable hacia delante.

o bien

Pegue el cable mediante cinta adhesiva en el suelo detrás del electrodoméstico a una distancia aprox. de 15" (380 mm) de la pared posterior de la cavidad.



- Quitar la protección para los bordes.

12. Instalación y alineación del electrodoméstico

B



ATENCIÓN

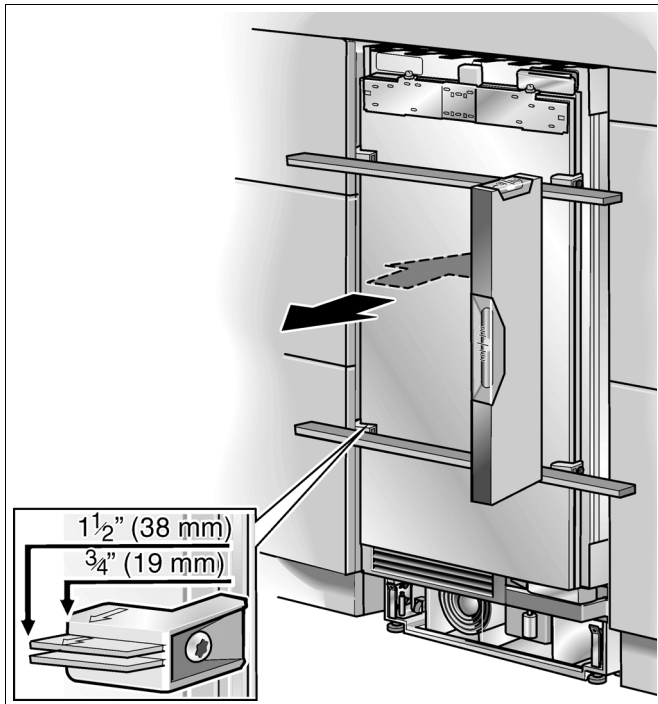


¡Nunca utilizar un destornillador a batería!

¡El aparato puede sufrir daños o desperfectos!

IMPORTANTE

- ¡No gire o presione el electrodoméstico dentro de la cavidad! Cuando desenrosque las patas de altura ajustable, proceda de modo gradual: alterne siempre entre la derecha y la izquierda, repitiendo el proceso alternativamente.
- El ajuste de las patas posteriores se facilita si se descarga la parte posterior del equipo.
- Si utiliza una vigueta de madera como dispositivo antivuelco alternativo, según se describe en el punto 7. de este manual de instalación, rote el electrodoméstico totalmente hacia la vigueta de madera.



- Alinee el electrodoméstico con los frentes de los muebles.

Coloque el nivel de marcar o las piezas auxiliares para la instalación sobre la puerta.

Las piezas auxiliares sobre la puerta fueron diseñadas para un espesor total de las puertas de los muebles:

- $\frac{3}{4}$ " (19 mm)
- $1\frac{1}{2}$ " (38 mm)

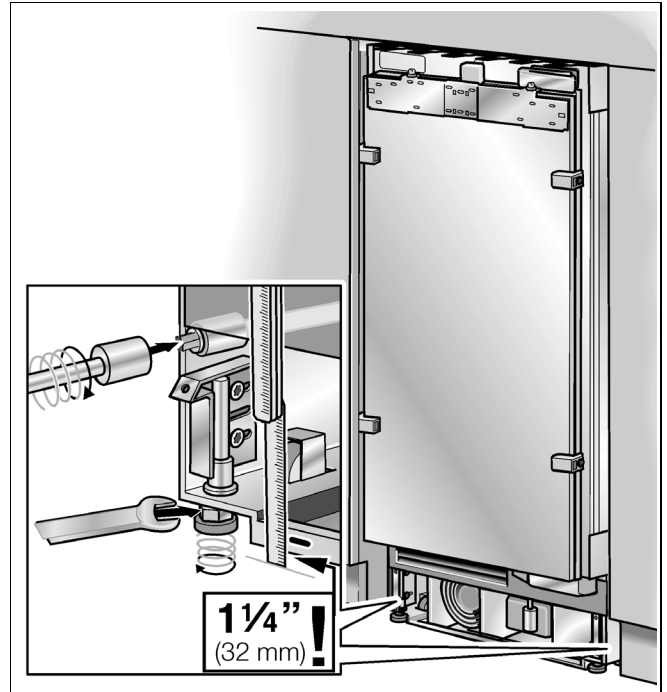
Tenga siempre en cuenta los espesores eventualmente diferentes de los frentes de los muebles que se sujetarán.

Las ruedas de altura ajustable tanto del frente como de la parte posterior, pueden ajustarse desde el frente.

Frente: llave de boca de $\frac{1}{2}$ " (SW13)

Fondo: destornillador en cruz $\frac{5}{16}$ " (8 mm) con vástago flexible.

Como medida sugerida para el ajuste de la altura, se ha practicado una marca en la pata del equipo. Durante el ajuste, esta marca debe ajustarse esta marca a una altura de $1\frac{1}{2}$ " (32 mm) sobre el nivel del suelo.



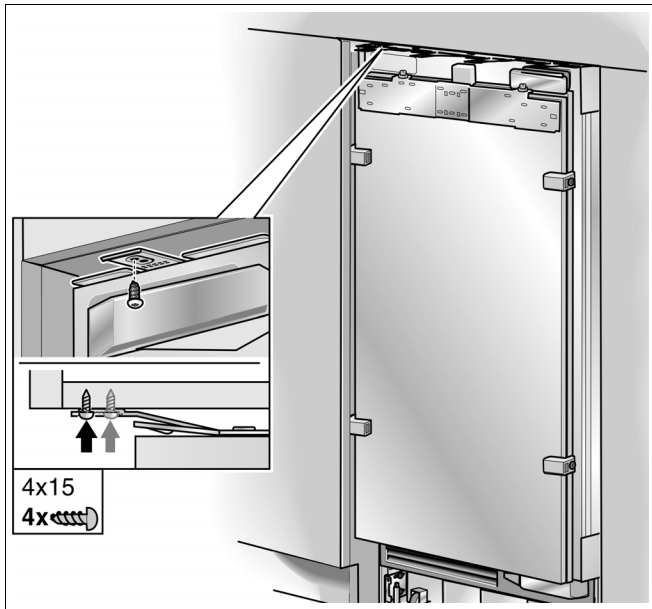
- Desenrosque las patas de altura ajustable hasta que la marca en la base logre la medidas indicadas ($1\frac{1}{4}$ "/32 mm).

NOTA

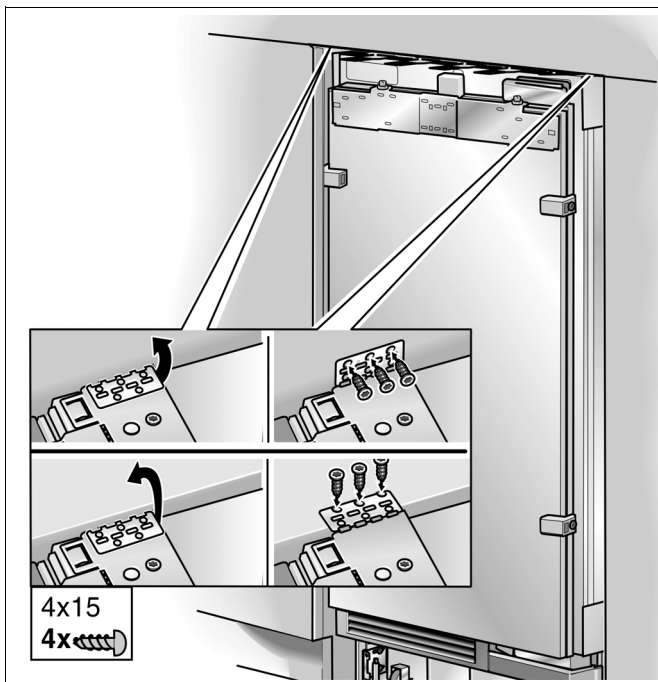
Es sumamente importante cumplir con estas medidas, para lograr una buena alineación de los frentes de los muebles.

- Alinee los frentes de los muebles con el nivel de agua.

13. Sujetando el electrodoméstico a la parte superior de la cavidad



- Atornille las placas de las eclisas de sujeción (superiores) al mueble o adorno superpuesto.

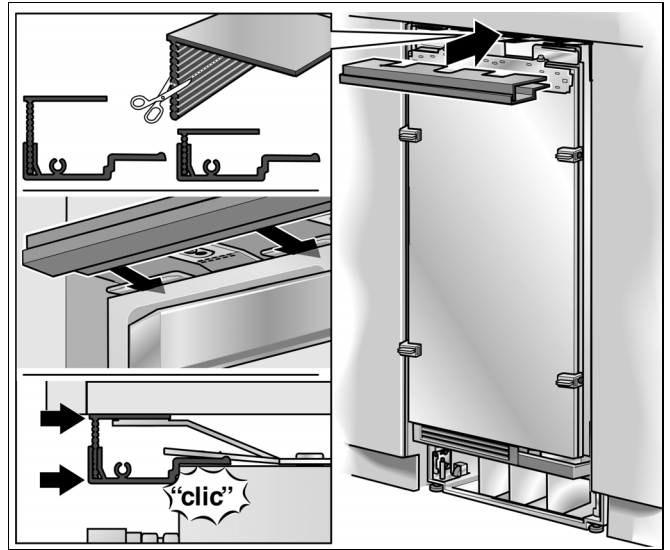


- Atornille las placas de las eclisas de sujeción laterales dependiendo de las condiciones de instalación.

NOTA

Si no hay espacio o solamente un espacio reducido, no es necesario fijar las eclisas.

- Si en la parte superior del electrodoméstico existe un espacio mayor, es indispensable montar una vigueta de madera de medidas adecuadas, libre de juego sobre el equipo.



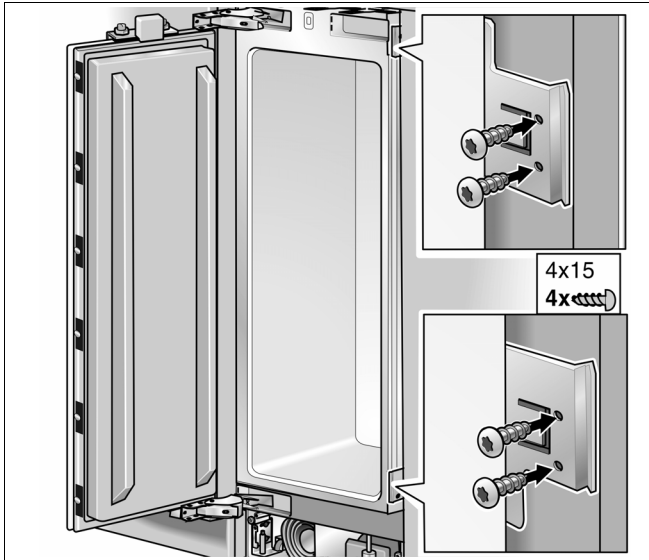
- Sujete el listón de cobertura en la placa de montaje (arriba). ¡Corte el listón superior a la altura adecuada!

NOTA

Para efectuar la instalación Side-by-Side (Lado a lado) deberán unirse los dos listones de cobertura con el perno contenido en la combinación básico y sellado lado a lado.

14. Sujeción del electrodoméstico individual en los laterales de la cavidad

B



- Atornille las eclisas laterales a los muebles o adornos laterales (electrodoméstico individual exclusivamente).

NOTA

En un montaje lado a lado, esta operación no es posible. Estas piezas están desarmadas.

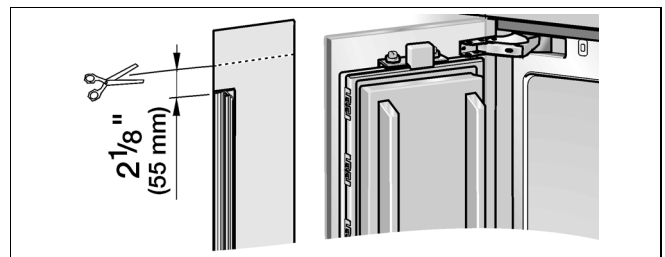
15. Verificar la movilidad de la protección de los dedos

Ahora es imprescindible verificar la movilidad de la protección de los dedos. Más adelante las correcciones pueden resultar más difíciles de realizar.

Advertencia:

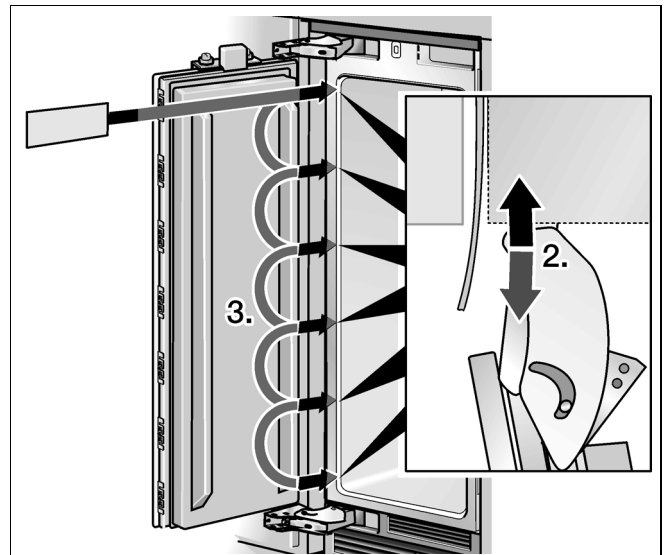
La protección para los dedos suministrada con el aparato se puede utilizar para ambos lados de las bisagras de la puerta. A causa de las distintas circunstancias de instalación, hay que adaptar (recortar) la protección de los dedos a la longitud adecuada.

- Recortar la protección de los dedos 55 mm en su parte superior por encima del listón cobertor (1.).



- Introducir el trozo cortado por el lado de la bisagra en el intersticio entre el aparato y la pared del hueco de montaje.

¡La pieza tiene que introducirse y retirarse con facilidad (2.)!



Verificar la movilidad a lo largo de toda la puerta (3.).

16. Conexión del agua al electrodoméstico



ATENCIÓN

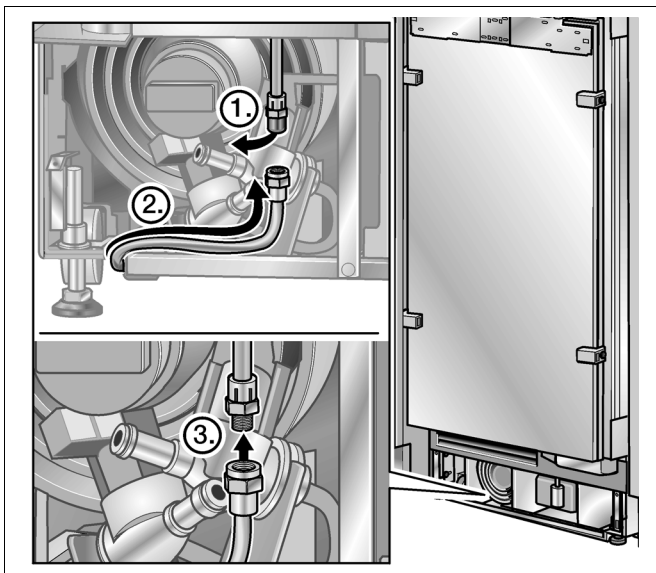


Cuando conecte la tubería de agua, no la retuerza. De lo contrario existe el riesgo que se produzcan pérdidas de agua.

IMPORTANTE

Cuando conecte la tubería de agua a la válvula solenoide del electrodoméstico, siga las instrucciones provistas por el fabricante conjuntamente con el kit de montaje del generador de hielo que se incluyen en este manual.

- Quite la capa de la conexión del electrodoméstico (1.)
- Doble la tubería de agua de acuerdo con la ubicación de la conexión del electrodoméstico (2.).
- Empuje la tuerca de unión, sellando la unión sobre la tubería de agua.
- Empuje el extremo de la tubería de agua, hasta que penetre en la conexión del electrodoméstico y enrosque la tuerca de unión (3.). Ajuste con la mano.
- Ajuste la tuerca de unión mediante la llave de boca. ¡No fuerce la rosca!
- Abra la válvula de cierre y la llave general. Controle la válvula de cierre y la conexión en el electrodoméstico, para localizar eventuales pérdidas.



17. Sujeción del panel de protección



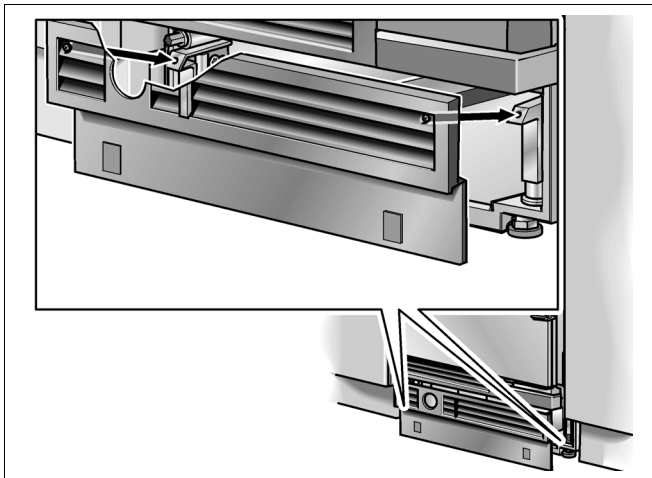
ATENCIÓN



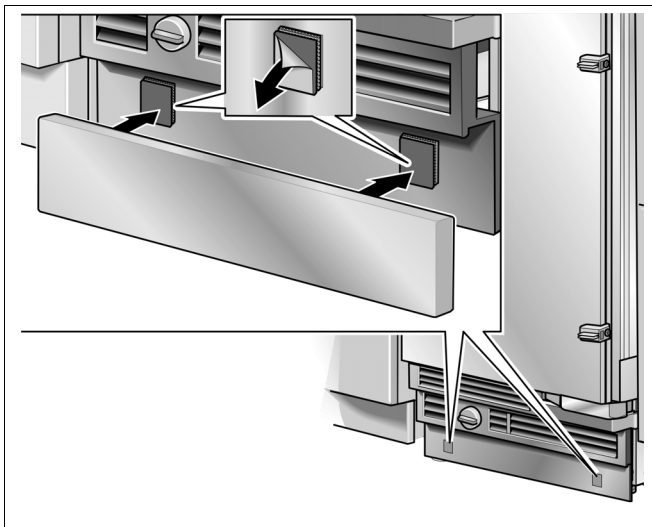
La altura máxima del panel de protección sobre el suelo es de 4".

No obture las aberturas de ventilación en el base del panel. Existe riesgo de daños en el electrodoméstico.

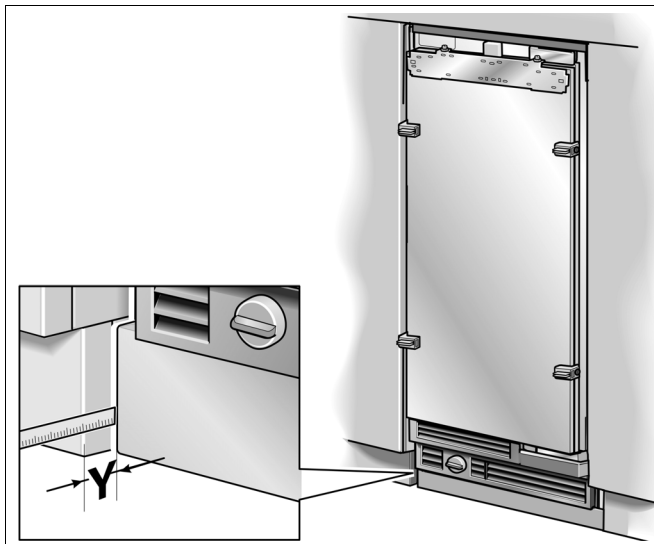
- Si hace falta, corte el panel de protección a la longitud necesaria.



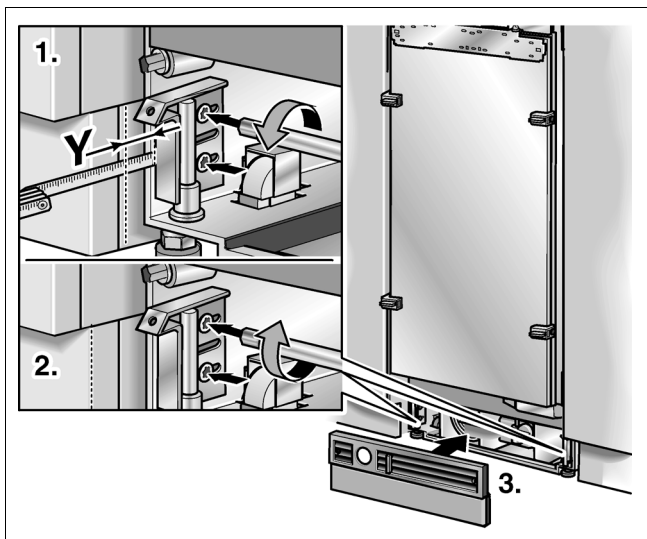
- Monte el panel base.



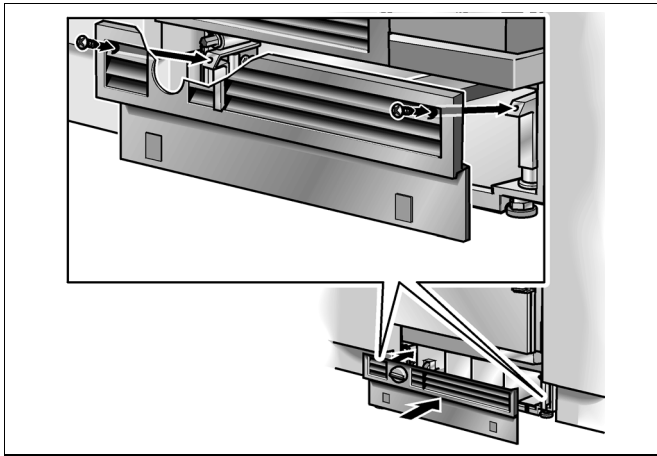
- Quite la lámina de protección de la almohadilla adhesiva del Velcro.
- Coloque el panel de protección en el panel base, presionando firmemente.



- Aplique el panel base (sin atornillar) y mida la diferencia **Y** entre el panel base y el panel de protección del mueble adyacente.
- Quite el panel base.
- Afloje los soportes de sujeción del panel base y empuje hasta el fondo.



- Extraiga las mordazas en la medida **Y** determinada.
- Atornille las mordazas firmemente.



- Monte el panel base.

IMPORTANTE

Si hace falta, puede atornillar el panel de protección al panel base. Existen perforaciones para los tornillos en el panel base, cerca de los Velcros.

18. Puesta en marcha del equipo

A fin de garantizar la exactitud de los pasos a realizar a continuación ya que tendrán influencia en la imagen de apariencia de todo el frente de la cocina, ahora debe ponerse en marcha el equipo.

- Abra la puerta del electrodoméstico.
- Accione el pulsador POWER.

Únicamente para equipos que disponen de una conexión de agua:

A fin de evitar eventuales daños debidos al agua que pueda surgir en caso de una avería de la tubería correspondiente, debe dejarse todavía cerrado el grifo del agua.

19. Preparación de las puertas mueble

IMPORTANTE

Si realiza cualquier trabajo en las puertas de los muebles, tenga siempre en cuenta:

- atornille siempre en el material que mejor soporta la carga en la puerta del mueble.
- seleccione siempre una longitud de los tornillo que sea inferior al espesor de la puerta,
- nunca colocar tornillos en los paneles de las puertas, listones decorativos o similar,
- proteja las superficies de las puertas durante el trabajo, a fin de evitar daños.

El peso total del frente del mueble, no debe exceder los valores siguientes:

Electrodoméstico de 18": 44 lbs/20 kg (19 lbs/8.5 kg *)

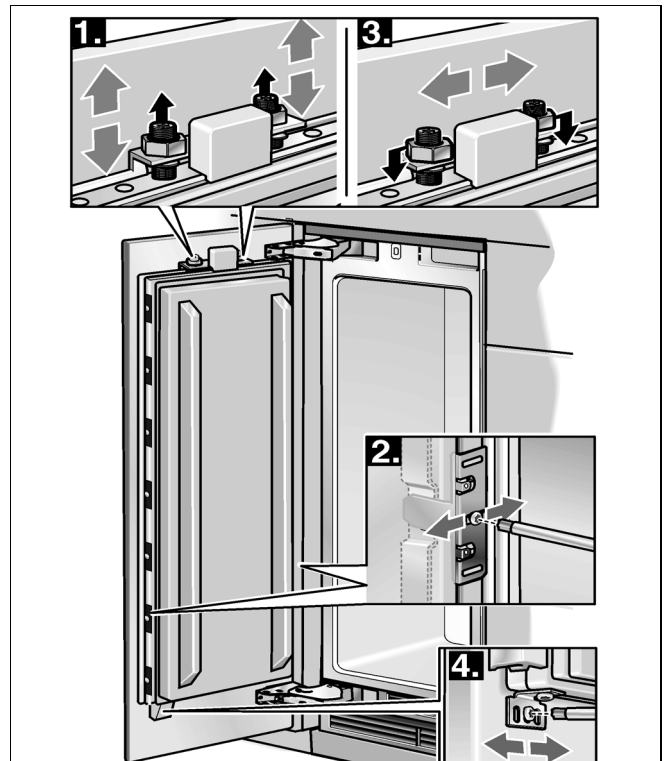
Electrodoméstico de 24": 55 lbs/25 kg (32 lbs/14.5 kg *)

Electrodoméstico de 30": 64 lbs/29 kg

(* Conservador de vinos)

Nivelar la puerta del mueble

Los frentes de los muebles se sujetan a la puerta del electrodoméstico, mediante elementos o piezas de sujeción pertenecientes al electrodoméstico. Estas piezas de sujeción permiten ajustar con precisión la puerta del mueble, dándole la firmeza necesaria.

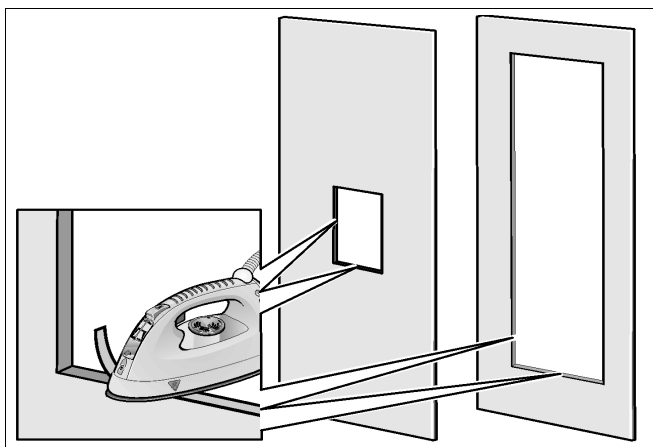


Función de diversas partes:

1. Perno de doble rosca en el riel de ajuste:
para el ajuste vertical de la puerta del mueble.
2. Soportes laterales:
para ajustar la profundidad del frente del mueble.
3. Tuercas sobre los pernos de doble rosca:
para sujetar el frente del mueble y fin de evitar movimientos laterales.
4. Soportes inferiores:
para sujetar el frente del mueble y fin de evitar movimientos laterales.

Advertencia importante para puertas de muebles con escotaduras (aparatos con dispensador de hielo y agua, vinotecas):

Es absolutamente indispensable proteger los bordes cortados de las escotaduras contra la penetración del agua o la humedad. Emplear a tal efecto un agente adecuado al material y a la forma de la puerta del armario (por ejemplo tiras encoladas, agentes de sellado de bordes).

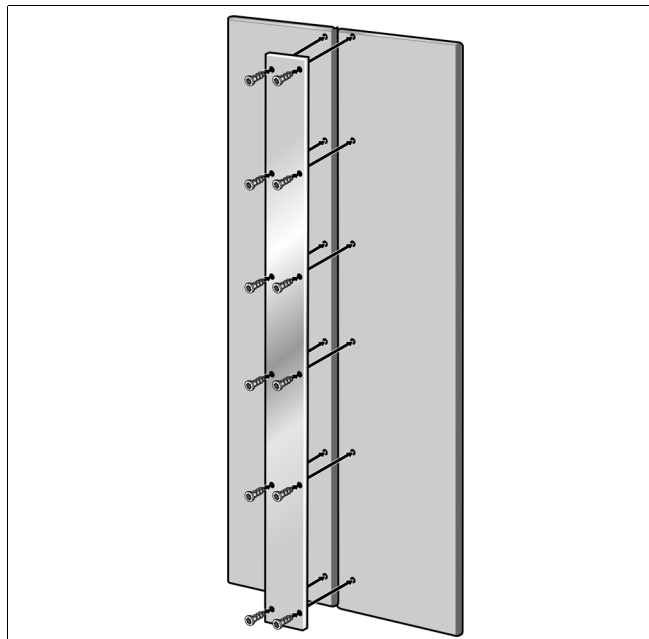


Pieza de unión de partes

En el caso de electrodomésticos de 30" y 36" de ancho, pueden sujetarse 2 puertas adyacentes una con otra, en vez de una puerta grande. Estas puertas deben conectarse mediante un listón metálico en la parte posterior.

Este listón metálico, puede adquirirse en el vendedor local como accesorio opcional. Consulte la sección «Accesorios opcionales» en página 97.

Cuando sujete el listón metálico a la puerta de los muebles, tenga en cuenta de usar los tornillos de la mayor longitud posible y la posición de las perforaciones. Atornille siempre en el material de mejor capacidad de carga de la puerta del electrodoméstico.



IMPORTANTE

- Nunca colocar tornillos en los paneles de las puertas, listones decorativos o similar.
- Si se coloca una sola puerta en electrodomésticos de 30" y 36", sujete la placa sándwich al riel de ajuste y trábela en la posición correcta.

20. Carga admisible en la puerta electrodoméstico

A fin de lograr una exactitud máxima en las medidas de las ranuras de las puertas de los muebles, se recomienda aplicar pesas en las gavetas de la puerta.

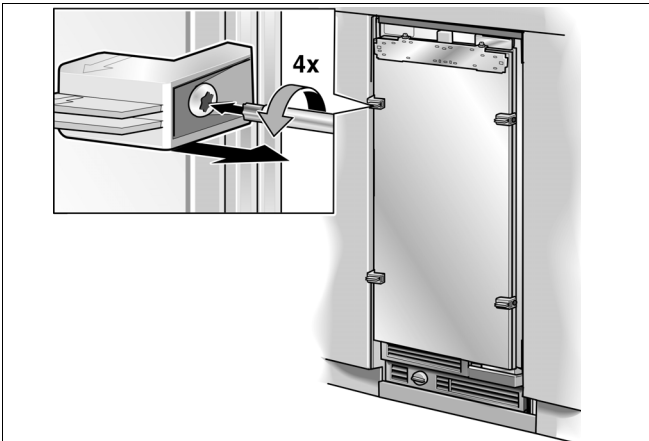
Se recomienda:

- Electrodoméstico de 18": 22 lbs/10 kg
- Electrodoméstico de 24": 33 lbs/15 kg
- Electrodoméstico de 30": 44 lbs/20 kg

21. Montaje del riel de ajuste en la puerta del mueble

IMPORTANTE

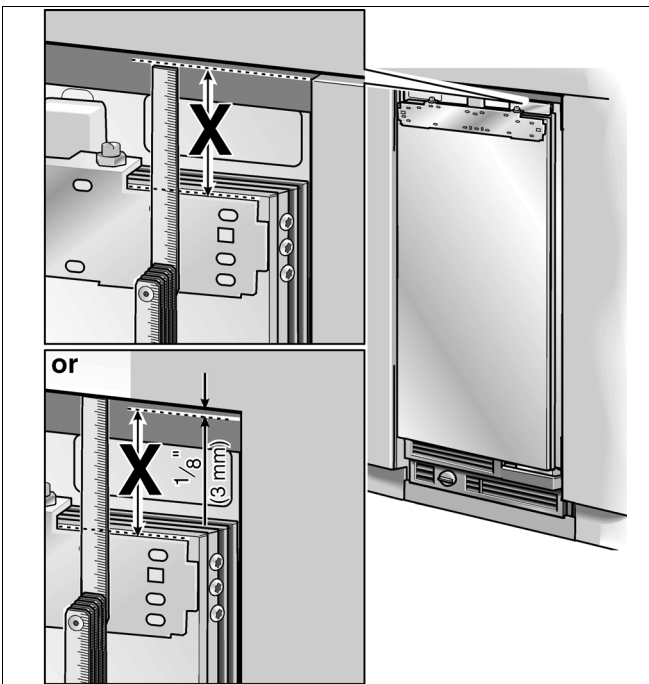
El riel de ajuste es el elemento más importante para el ajuste del frente del mueble.



- Desatornille el soporte de instalación de la puerta del electrodoméstico.

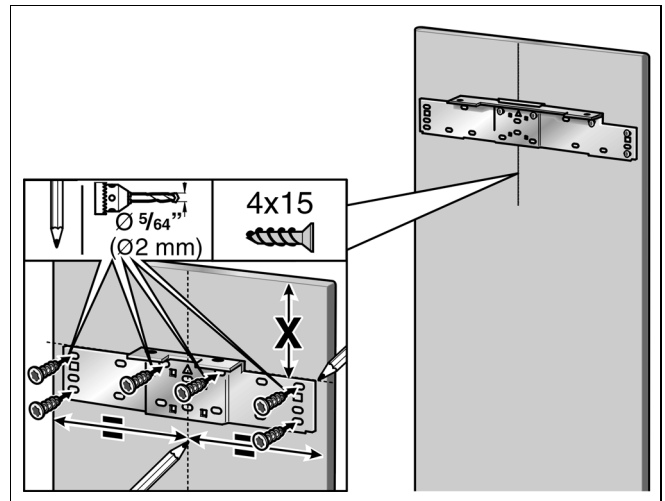
IMPORTANTE

Los elementos auxiliares para el posicionamiento son necesarios para el montaje ulterior.



- Mida la distancia **X** entre el riel de ajuste y la parte superior del mueble.

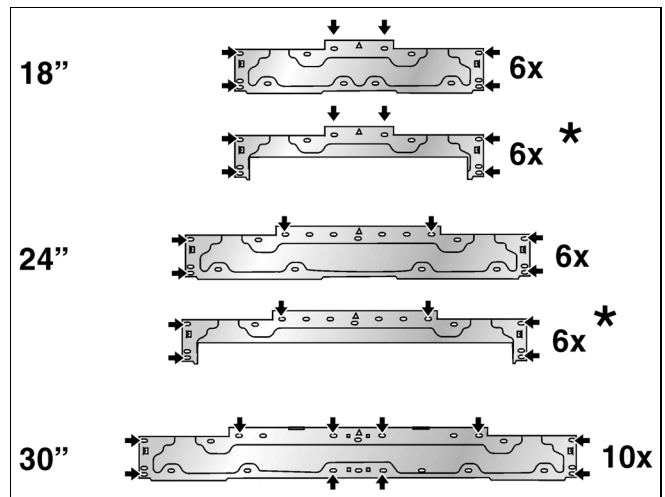
- Afloje las 2 tuercas y quite el riel de ajuste.



- Marque la medida **X** sobre la parte posterior de la puerta del mueble.
- Determine y marque el centro de la puerta del mueble.
- Aplique el riel de ajuste, alineando a lo largo de las marcas. Marque los orificios.
- Perfore en estas marcas.
- Atornille el riel de ajuste firmemente.

Nota:

- Sujete el riel de ajuste con un mínimo de 6 tornillos a la puerta del mueble. Debe insertarse un tornillo debajo de cada perno de doble rosca.

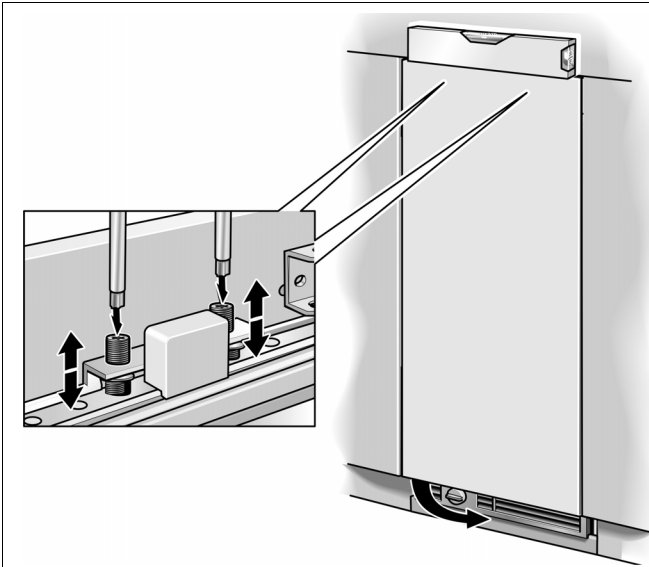


(* Conservador de vinos)

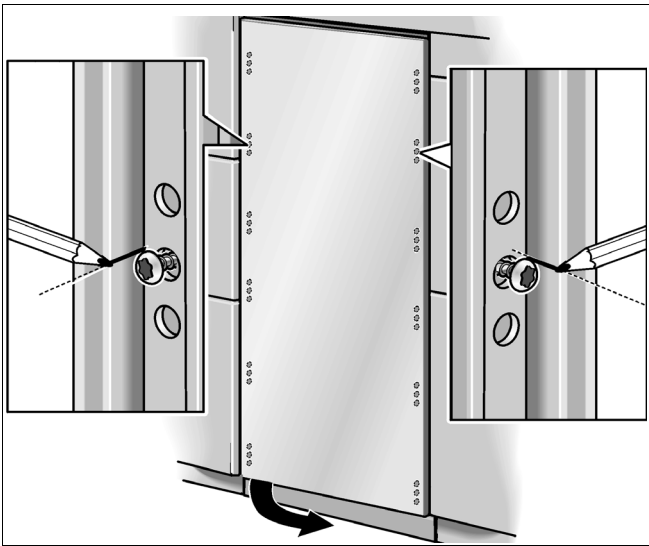
- El riel de ajuste presenta una gran variedad de perforaciones, para cubrir las diversas posibilidades de puertas de los muebles. Atornille siempre en las partes donde la puerta del mueble presente la mejor capacidad de porte.

22. Sujeción y alineación de la puerta del mueble

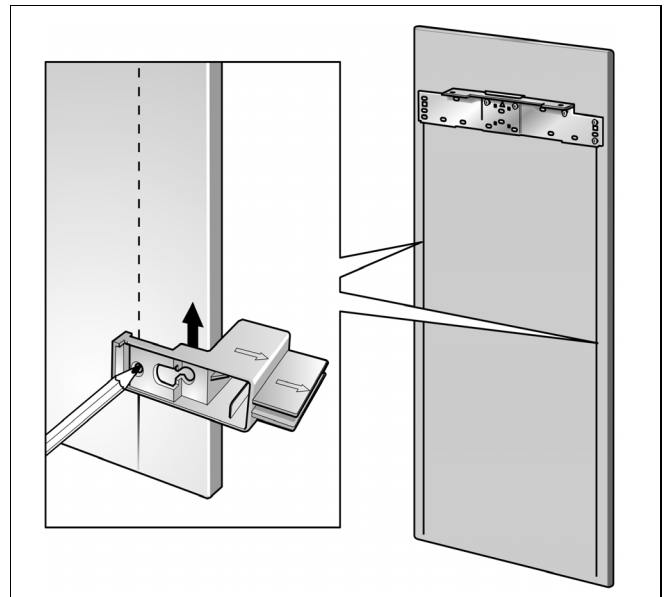
- Cuelgue la puerta de los pernos de doble rosca.



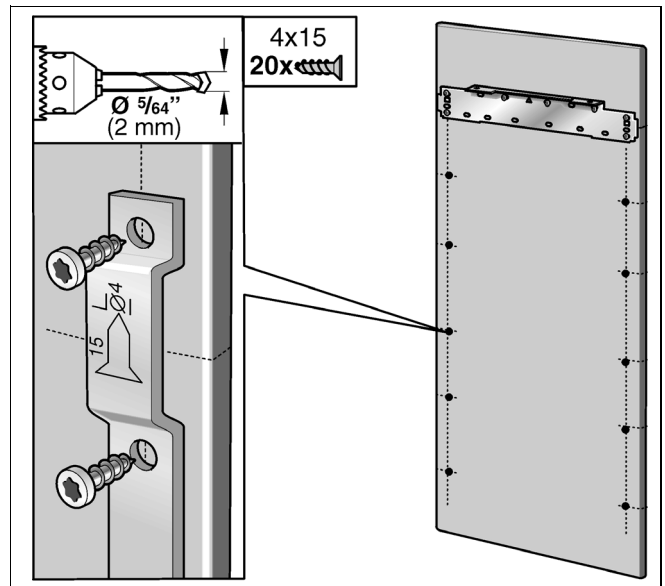
- Alinee la puerta mediante los pernos de doble rosca (destornillador Torx).



- Transfiera la posición de los tornillos centrales a través del borde exterior de la puerta del mueble, a la parte frontal del mueble, practicando una marca.
- Quite la puerta del mueble.



- Trazar sendas paralelas en los dos lados largos de la puerta del mueble con ayuda del soporte de instalación.
- Extienda las marcas de los orificios que acaba de hacer, a las marcas verticales mediante una escuadra.
- Aplique el riel de sujeción y marque los orificios.
- Perfore en estas marcas.

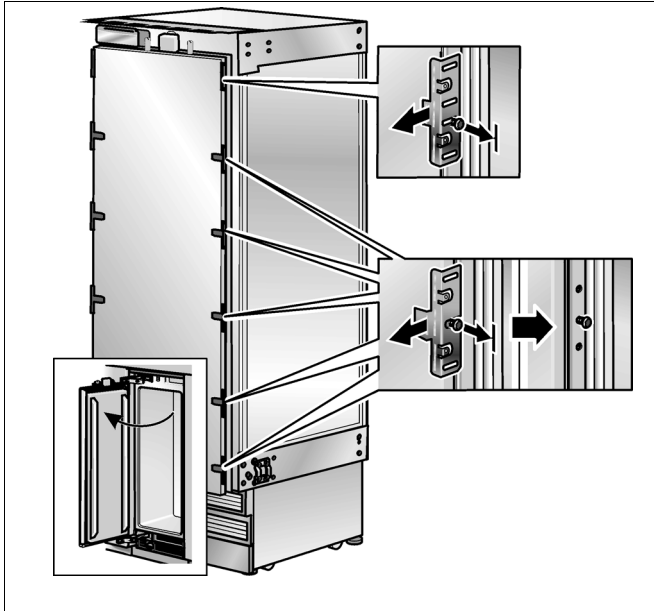


- Atornille los rieles de sujeción.

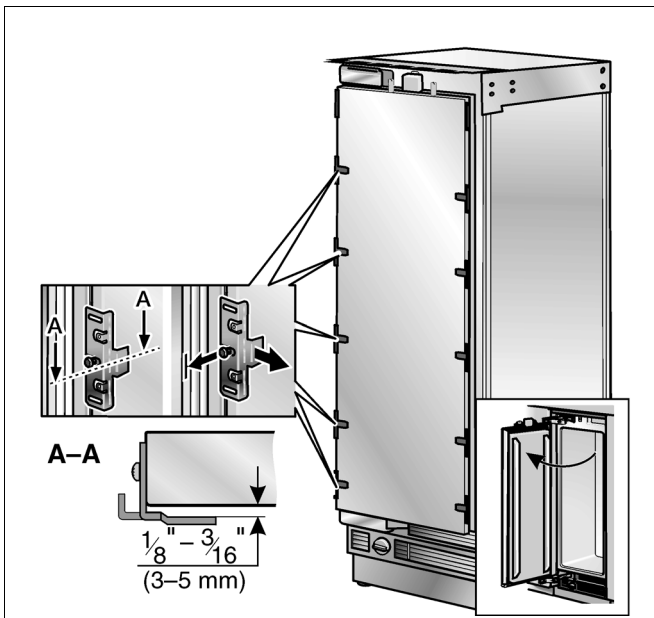
23. Sujeción de la puerta del mueble

IMPORTANTE

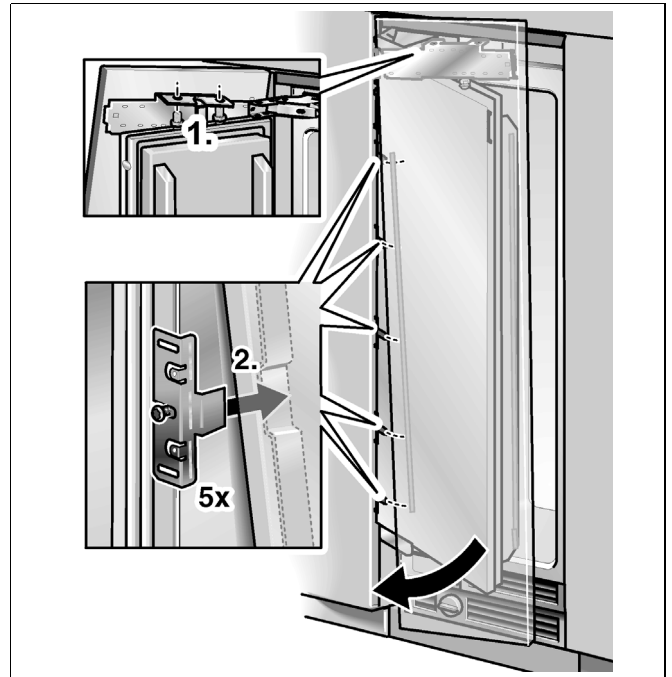
Atornille ahora las manijas del mueble que ha quitado anteriormente!



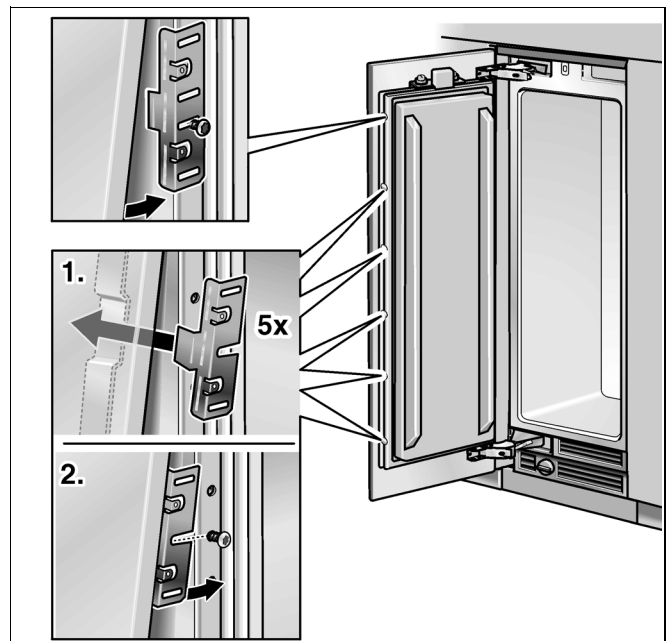
- Retirar los soportes laterales del lado del tirador de la puerta del aparato. Aflojar a tal efecto simplemente los tornillos de sujeción.



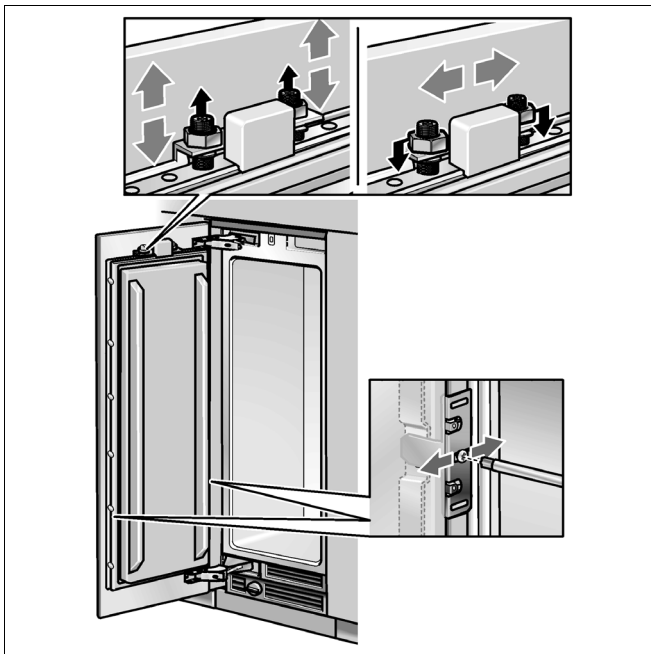
- Soltar los soportes laterales del tope y retirarla ligeramente de la puerta. Aflojar a tal efecto simplemente los tornillos de sujeción.
- Abrir la puerta del aparato.



- Cuelgue la puerta con el riel de ajuste sobre los pernos de doble rosca (1.).
- Eleve levemente la puerta del mueble, empujando luego el riel de sujeción hacia abajo sobre las grampas de sujeción (2.).

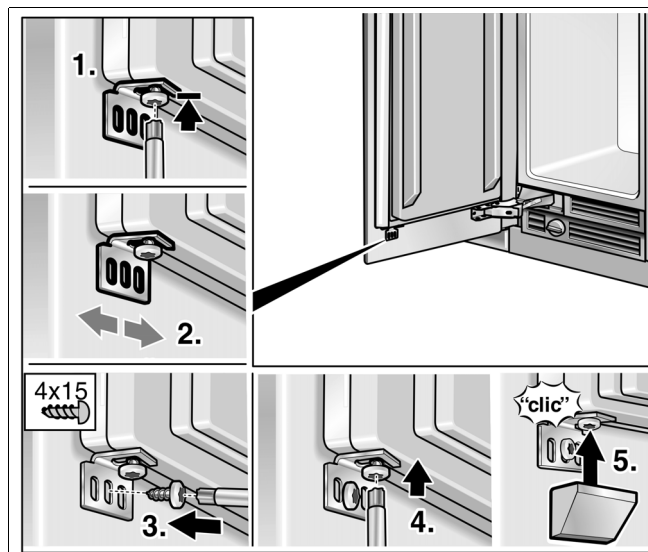


- Inserte las grampas de sujeción previamente quitadas en el riel de sujeción y deslícelos por encima de los tornillos de sujeción.
- Enrosque las tuercas ligeramente en los pernos de doble rosca. ¡No las ajuste!



- Alinear la puerta del mueble mediante los pernos de doble rosca (y un destornillador Torx). Controlar la holgura.
- Cierra la puerta y controle que la profundidad del frente del mueble esté alineado con los frentes adyacentes. Corrija si hace falta.
- Ajuste los tornillos de los soportes, a fin de fijar la profundidad de alineación.
- Cierre la puerta y controle la alineación. Corrija golpeando suavemente en el borde de la puerta con la mano.
- Ajuste las tuercas en el riel de ajuste. Esto fijará el ajuste lateral de la puerta.

24. Montaje de los soportes inferiores

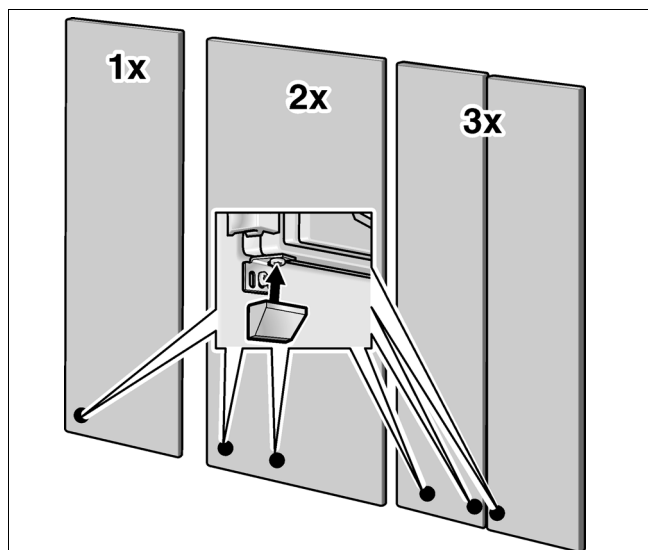


- Atornille los soportes inferiores (correspondiente al juego de elementos auxiliares). ¡Practique orificios preparativos en la puerta del mueble!

Los soportes inferiores ajustan la alineación lateral de la puerta.

1. Afloje los tornillos.
2. Controle la posición lateral de la puerta.
3. Atornille los tornillos de madera.
4. Ajuste los tornillos.
5. Coloque la cubierta sobre los soportes.

Nota:

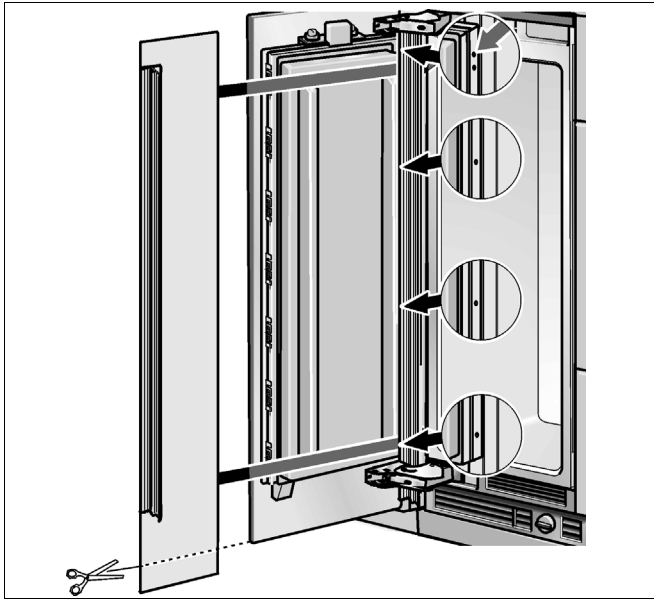


La cantidad de soportes inferiores depende del ancho y el diseño de la puerta del mueble.

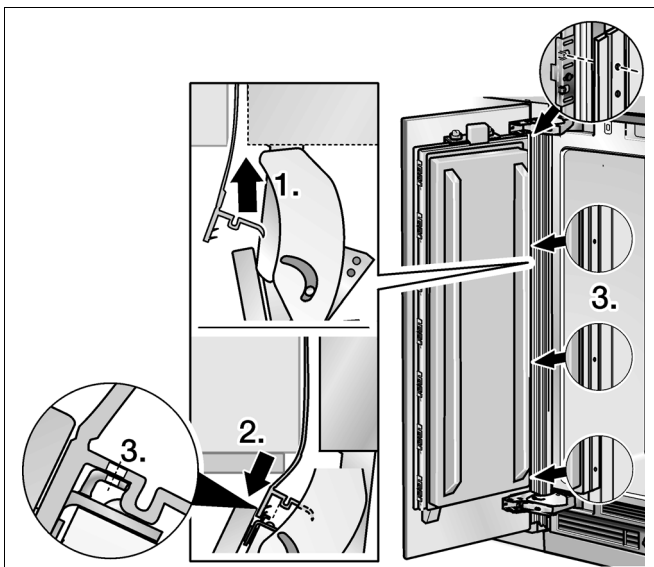
25. Montaje de la protección para los dedos

- Colocar la protección de los dedos en la puerta del aparato de tal modo, que los orificios de fijación en el listón cobertor coincidan con los taladros en la escuadra de fijación.

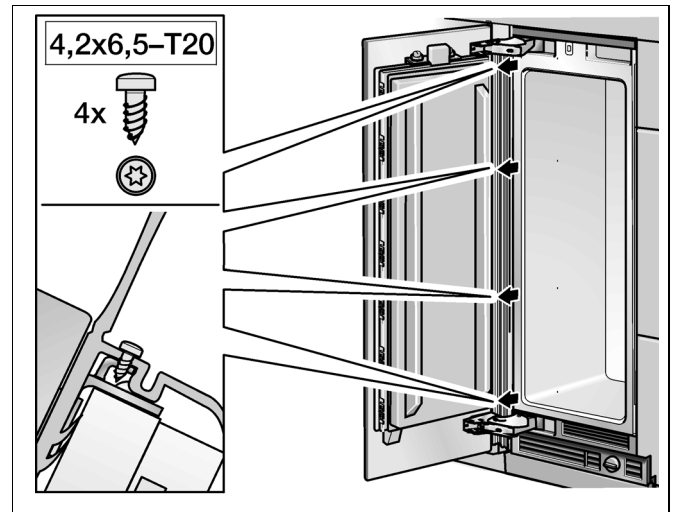
Marcar el borde inferior de la protección de los dedos y recortarla.



- Introducir la protección de los dedos entre el aparato y la pared del hueco de montaje (1.).

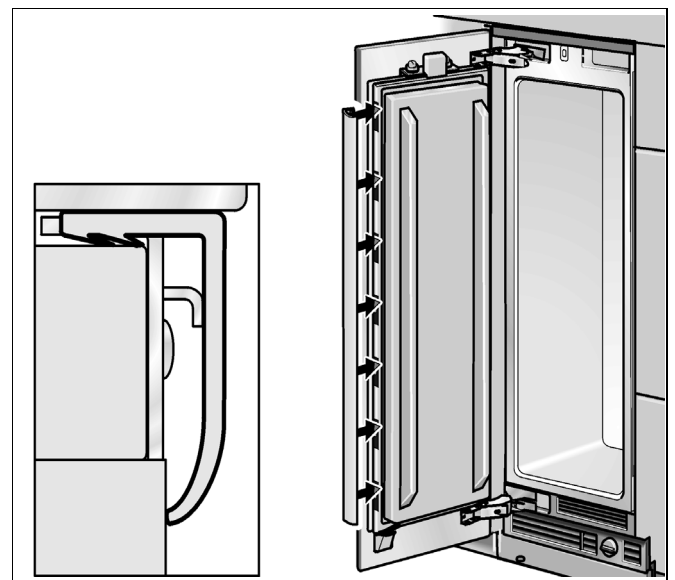


- Encajar el listón cobertor de la protección de los dedos de arriba hacia abajo en el intersticio entre el panel frontal del mueble y la puerta del aparato (2.). ¡Prestar atención a que los orificios de fijación en el listón cobertor estén alineados con respecto a los taladros de las escuadras de fijación (3.)!

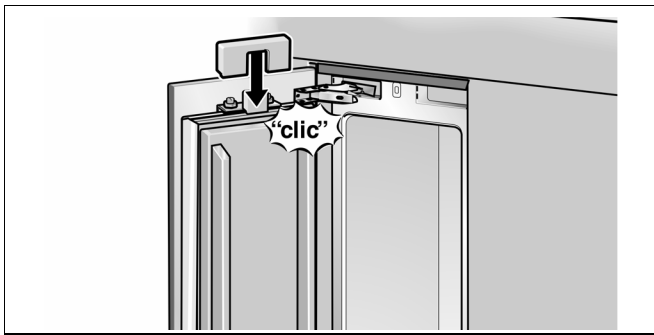


- Fijar la protección de los dedos a las escuadras de fijación con los tornillos correspondientes.
- Verificar el funcionamiento correcto y la movilidad de la protección de los dedos abriendo y cerrando varias veces la puerta del aparato.

26. Montaje de las cubiertas



- Monte el riel de cobertura.

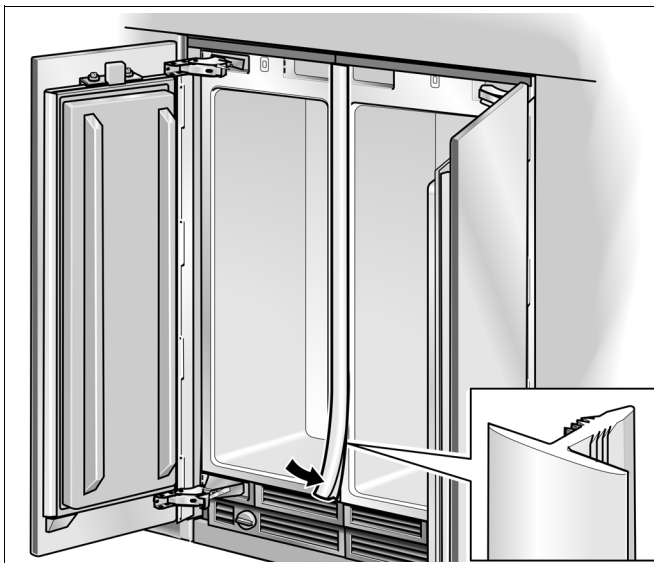
D

- Monte la cubierta para el conmutador de la luz.

IMPORTANTE

La cubierta para los electrodomésticos de 24" y 30" pueden atornillarse en la puerta.

Únicamente en caso de instalación Side-by-Side (Lado a lado):

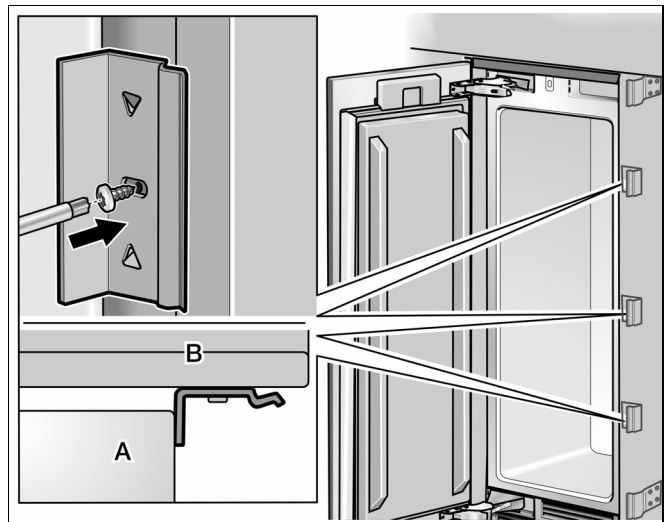


- Inserte el listón de cobertura en el espacio comprendido entre los electrodomésticos.

IMPORTANTE

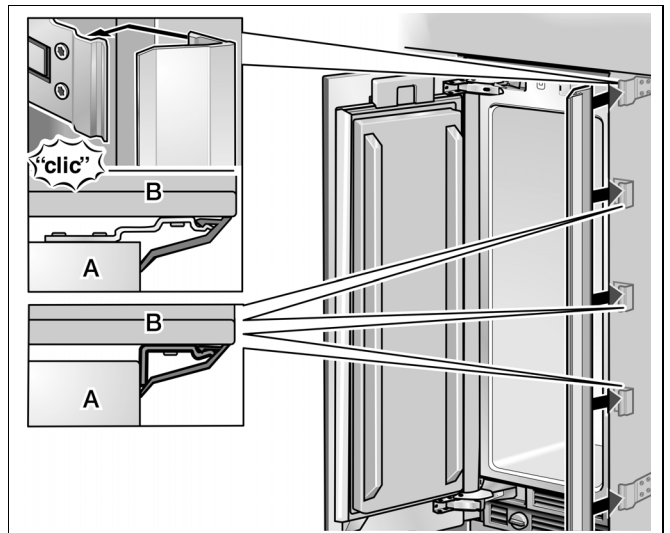
El listón de cobertura está incluido en el kit estanqueizador para la instalación lado a lado.

Montaje individual únicamente:



- A Electrodoméstico
- B Mueble

- Atornille los soportes (laterales) que sujetarán el listón de cobertura.



- Coloque el listón de cobertura en el espacio comprendido entre el electrodoméstico y el panel de madera.

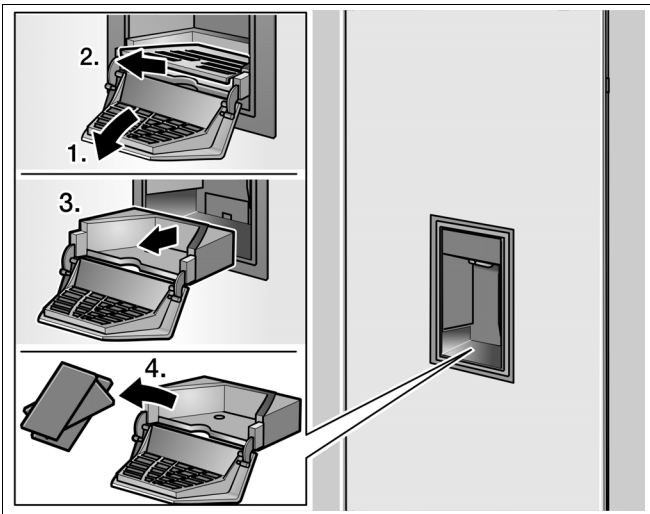
27. Orientación del dispensador de hielo y agua

(solamente para unidad de congelación con dispensador de hielo y agua)

IMPORTANTE

Los aparatos con puerta de acero inoxidable se suministran con un marco cobertor especial.

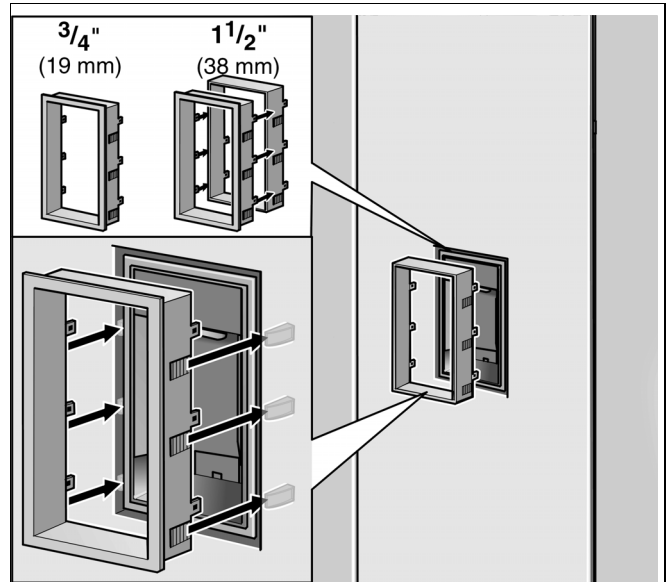
El dispensador de hielo y agua puede orientarse dentro de la escotadura de la puerta del mueble en cuanto a su profundidad. Con ello se permite una orientación paralela a la puerta del mueble, a fin de lograr una presentación óptica general óptima.



- Retirar la bandeja del dispensador de hielo/agua (1.-3.)
- Retirar las protecciones de la bandeja receptora (4.).

IMPORTANTE

Sugerimos montar el marco antes de sujetar la unidad expendedora.

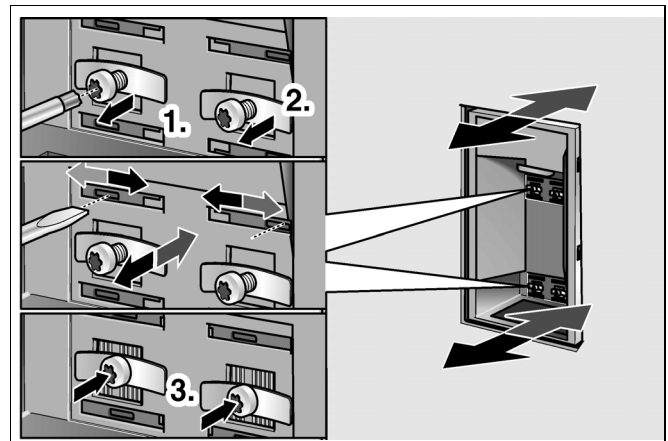


Para puertas de muebles con un espesor de 3/4"/19 mm:

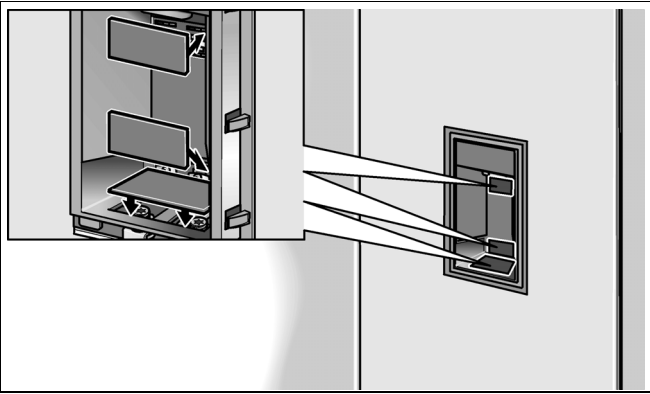
- Desplazar el marco de cobertura sobre el dispensador de hielo y agua presionándolo hasta que el marco quede nivelado respecto de la superficie de la puerta.

Para puertas de muebles con un espesor de 1 1/2"/38 mm:

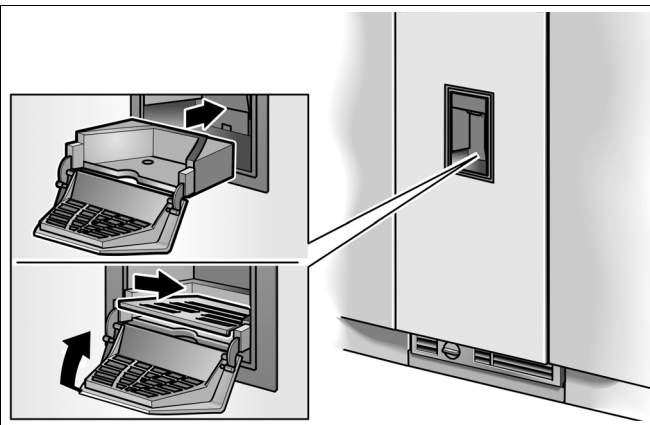
- Colocar el marco de prolongación sobre el marco de cobertura, presionándolo.
- Desplazar el marco de cobertura sobre el dispensador de hielo y agua presionándolo hasta que el marco quede nivelado respecto de la superficie de la puerta.



- Aflojar los tornillos en las 4 prensas (1.).
- Introducir el destornillador plano en una de las 4 ranuras y desplazar los tacos lateralmente, de modo que el dispensador presente una distancia pareja respecto de la puerta del mueble (2.).
- Volver a ajustar los tornillos en las prensas (3.).

D

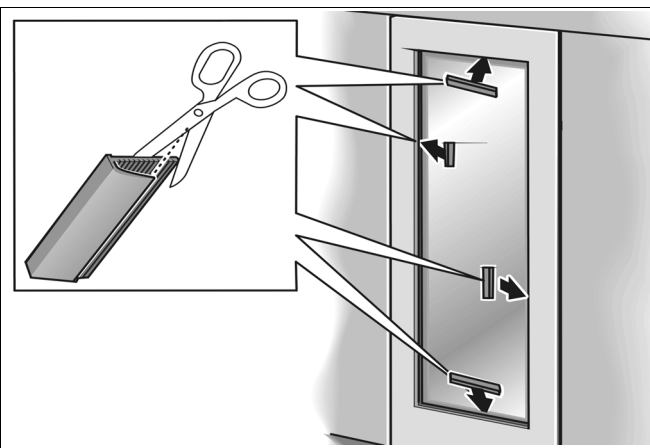
- Volver a colocar la cobertura.



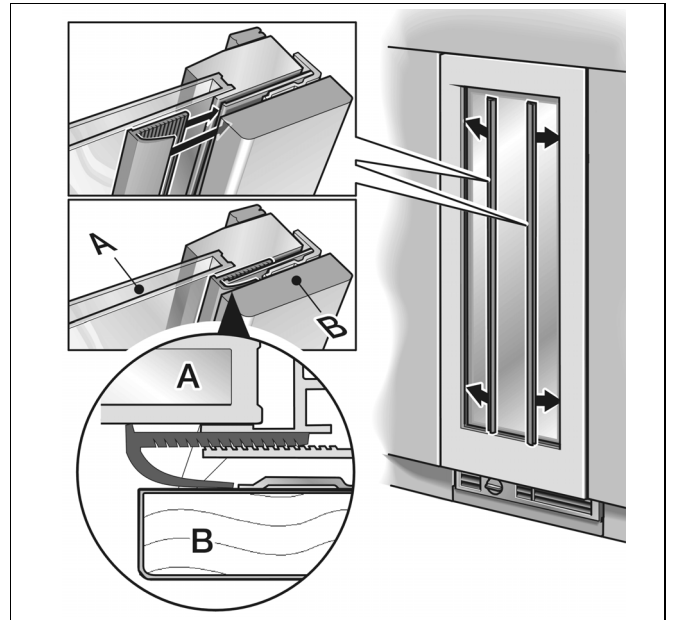
- Colocar el depósito.

28. Colocación del cuadro de cobertura y del depósito

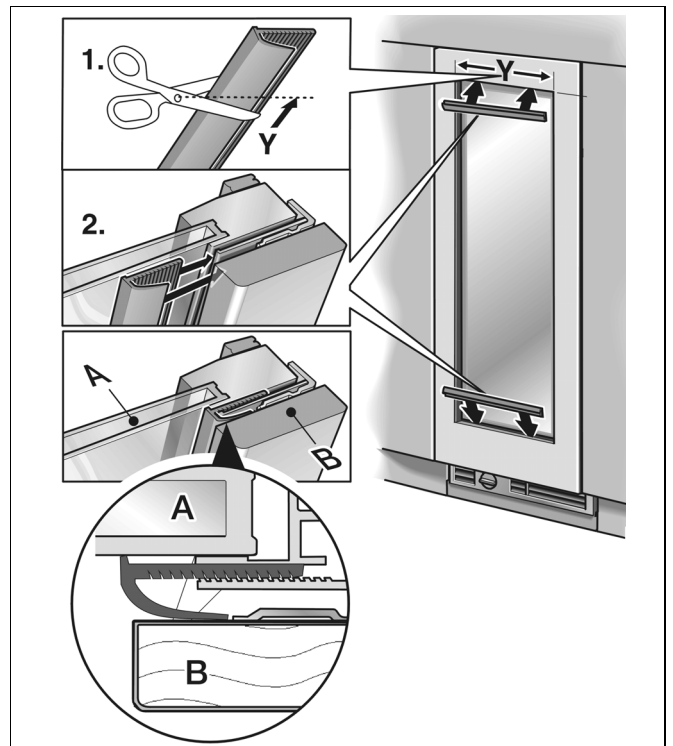
(solamente para los conservadores de vinos)



En caso de una anchura reducida del marco, puede ser necesario cortar los lados del listón de cobertura. A fin de determinar la longitud de los lados, se han adicionados piezas de prueba al listón de cobertura.



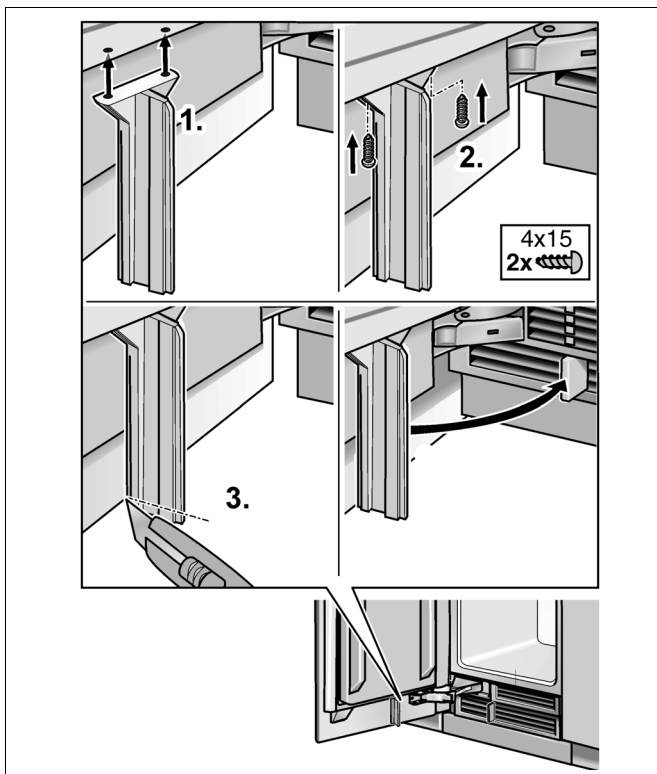
- Desplazar los listones de cobertura en los laterales dentro del espacio comprendido entre la puerta del mueble y el vidrio.
- Cortar a la longitud necesaria, el listón de cobertura en los lados cortos.



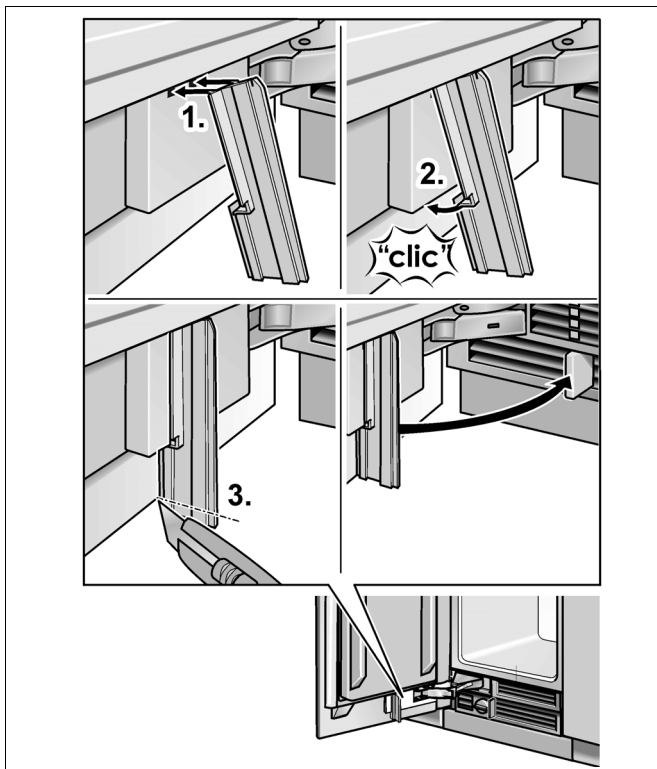
- Desplazar el listón de cobertura dentro del espacio comprendido entre la puerta del mueble y el vidrio.

29. Montaje del separador de aire

Atornille el separador de aire a la puerta del mueble a fin de separar el aire de entrada y salida.



Para equipos con salida de agua helada:

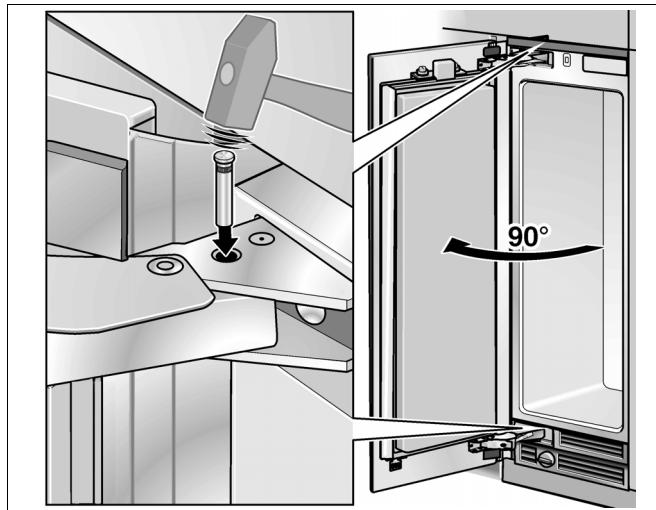


30. Ajuste del ángulo de apertura de la puerta

Dependiendo de las condiciones de instalación, puede ser necesario ajustar el ángulo de apertura de la puerta. En fábrica se ha ajustado un ángulo de apertura de 115°.

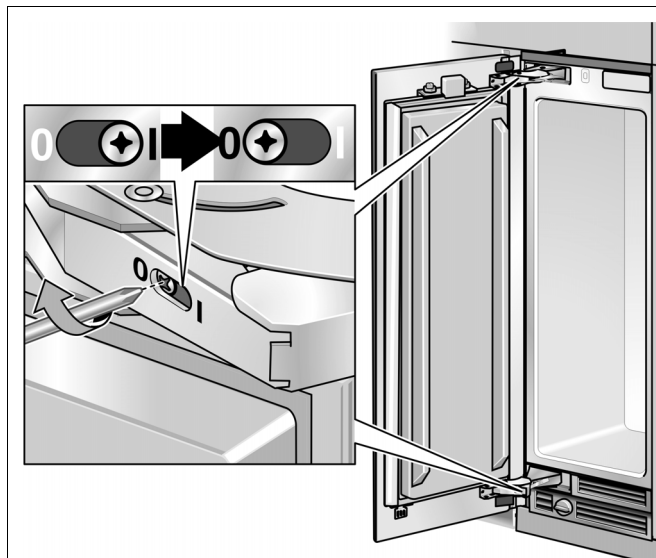
A fin de ajustar el ángulo de apertura a 90°:

- Abrir la puerta a 90°.



- Introducir el perno limitador a través de las dos perforaciones ahora enfrentadas, golpeando con un martillo.

31. Cambio del muelle de la puerta



- Girar del tornillo de ajuste mediante un destornillador para ranura en cruz.
I = aumenta la tensión del muelle
0 = disminuye la tensión del muelle

Con esto, el montaje del aparato ha concluido.

Gaggenau Hausgeräte GmbH

Carl-Wery-Straße 34

D-81739 München

www.gaggenau.com

Subject to alterations.

Sous réserve de modifications.

Se reserva el derecho a efectuar modificaciones.

GAGGENAU

9000 561 739 (9005)

en-us, fr-ca, es-mex