



Color Variants

RW404760
 under-counter, stainless steel framed
 glass door
 Niche width 24" (60 cm), Niche height
 32" (82 cm)

Optional accessories

RA050200
 Replacement activated charcoal air
 filters, set of two, for upper and lower
 temperature zone
RA491630
 Extendable bottle tray in beech and
 aluminium

RW404760

Wine storage unit
 under-counter, stainless steel framed
 glass door
 Niche width 24" (60 cm), Niche height
 32" (82 cm)

- Two individual temperature zones, both continuously variable
- Consistant temperatures with exact control from 41 °F to 64 °F
- Extendable bottle trays in beech and aluminum
- Presentation light option
- Door lock
- 41 bottle capacity

Operation

Electronic precision temperature control with digital temperature display. Lighting is integrated into the ceiling and control panel and can be switched on even when the door is closed. Interior light dims automatically when opening and closing the door.

Technical features

Dynamic cool air distribution.
 Humidity control.
 Two activated charcoal air filters, one per zone.
 Energy-saving vacation mode.
 Open-door and malfunction warning system.

Features

Net volume 4.45 cu. ft.
 41 bottle capacity (based on 750 ml standard bottles).
 5 bottle trays, three of which are extendable.
 Storage of magnum bottles possible.
 Consumption rates
 UV-protection.

Planning notes

Door hinge right, reversible.
 Height-adjustable feet.
 Door opens up to 95° and can be fixed.
 For integration next to a side wall a clearance of 5 7/8" hinge side is necessary.
 Plan a power outlet outside of the cut-out niche.

Rating

Energy consumption 0.6 kwh/24 h.
 115 V / 60 Hz
 Total Amps: 10 A

Product Features

Number of temperature zones
1

Range of temperature (°C)
5-20

Eco Mode
No

Carbon Air Filter
No

Presenter Lighting
No

Presenter Shelf
No

Type of Glass Door
2 glass panels, UV-filter

Number of Adjustable Shelves
0

Number of shelves
5

Bottles per Shelf

Door Hinge
Right

Shelf Material - Refrigerator
wood

Reversible Door Hinge
No

Lighting

Consumption and connection features

UPC code
825225861256

Color / Material housing

Colour.Material door

Panel ready
Not possible

Installation Type
Full-integrated

Silence level (dBA)
42

Watts (W)
200

Current (A)
10

Volts (V)
115

Frequency (Hz)
60

Energy consumption per Year (kWh/a) winecooler
219.00

Approval certificates
CSA, ETL, UL

Power cord length (in)

Plug type

Required cutout size (HxWxD) (in)
x x

Appliance Width (in)

Height (in)

Depth (in)

Capacity in 0.75l (bordeaux bottles)
41

Total unit gross capacity (cu. ft.) - AHAM

Product packaging dimensions (HxWxD) (in)
33.85 x 25.19 x 25.98

Net weight (lbs)
132

Gross weight (lbs)
132

2013-04-22
Page 1

RW404760

Wine storage unit

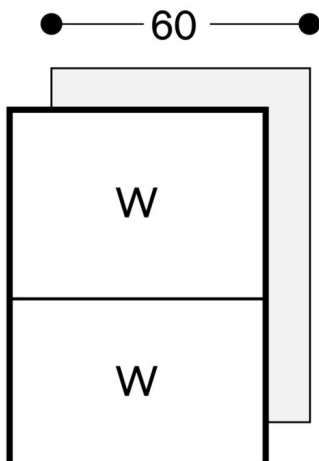
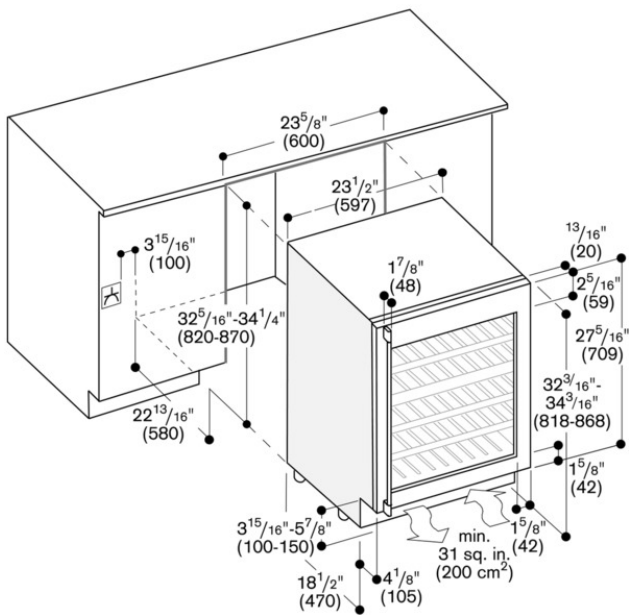
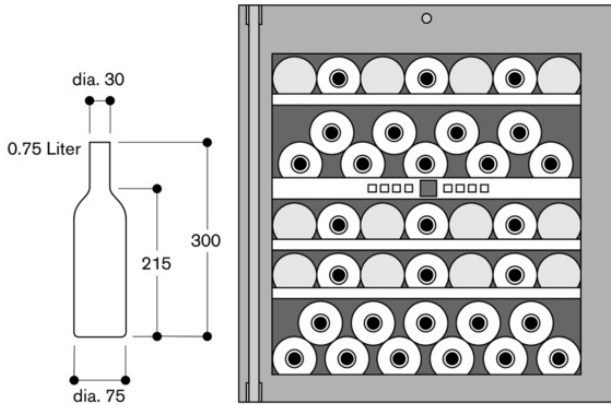
under-counter, stainless steel framed
glass door

Niche width 24" (60 cm), Niche height
32" (82 cm)

2013-04-22

Page 2

Bottle storage



GAGGENAU