



Color Variants

RF463703
Fully integrated appliance
Width 24" (61 cm)

Optional accessories

RA450000
Mechanical particle filter
RA450010
Activated charcoal filter for water filter system including saturation indicator

RF463703
Freezer column
Fully integrated appliance
Width 24" (61 cm)
Left-hinged

- Width 24" (61 cm)
- Stainless steel interior
- Integrated automatic ice maker with fixed water connection
- Illuminated dispenser for ice cubes, crushed ice and chilled water
- Solid aluminum door bins
- Net volume 340 litres

Operation

Electronic precision temperature control with digital temperature display.

Technical features

Dynamic cool air distribution with Multi-Flow Air System.
Automatic defrosting with defrost water evaporation.
Energy-saving vacation mode.
Open-door and malfunction warning system.

Freezer compartment

No-frost technology with fast freezing. Temperature adjustable from 7 °F to -9 °F (-14 °C to -25 °C).
4 solid metal shelves, two of which are manually adjustable.
2 fully extendable drawers with transparent front, one of which is large, one is regular.
Bright interior lighting with LED sidewall pillars.
One gallon door bin.
1 door bin with transparent front flap.

Ice and water dispenser

Illuminated ice and water dispenser. Integrated, with fixed water connection. Ice maker can be switched off independently.
Ice cube production approx. 4.2 lb (1.9 kg)/24 h.
Ice cubes and crushed ice.
Removable ice storage bin with approx. 6.6 lb (3 kg) capacity.
Chilled water supply approximately 1.3 quarts.

Planning notes

Flat hinge.
Door opening angle of 115°, optional 90° door stop.
Max. door panel weight 126 lb.
Shut-off valve for water connection must be planned next to the appliance and always be accessible.
If the water pressure exceeds 116 psi, connect pressure relief valve between water tap and hose set.
Cold water connection required.
Electrical location 6" above ground in lower left corner of unit.
Water pressure 29 to 116 psi.

Consumption data

Energy consumption 1.425 kwh/24 h.
Energy consumption 520.13 kwh/year.
Noise level 39 dB.

Rating

Total rating 0.565 kW.
Total Amps: 15 A.
120 V / 60 Hz
Connecting cable 78 3/4" with plug.
Supply hose 118" with 3/4" connection.

Product Features

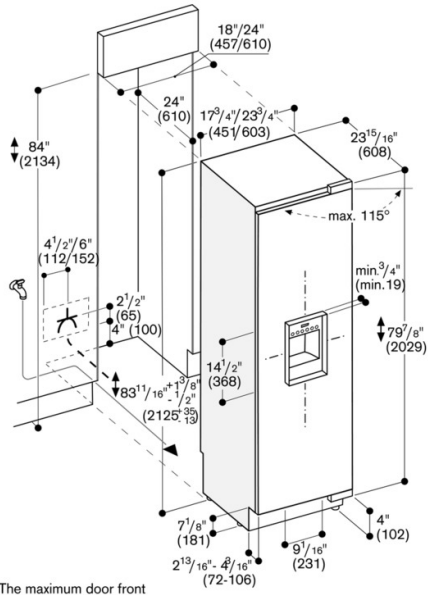
Multi-Flow Air Tower
Yes
Number of compressors
1
Number of independent cooling systems
1
Eco Mode
Yes
SUPERFREEZE
Yes
Number of Door Bins - Freezer
2
Adjustable Door Bins - Freezer
No
Tilt-Out Door Bins - Freezer
Yes
Number of Shelves - Freezer
2
Adjustable Door Bins - Freezer
No
Shelf Material - Freezer
Metal
Door Hinge
Left
Reversible Door Hinge
No

Consumption and connection features

UPC code
825225900344
Variant color
Panel ready
Installation Type
N/A
Silence level (dBA)
39
Watts (W)
565
Current (A)
15
Volts (V)
120
Frequency (Hz)
60
Total annual energy consumption (kWh)
520.13
Energy Star® qualified
Yes
Approval certificates
ETL, ETL C
Power Cord Length
78 3/4"
Plug type
120V-3 prong
Appliance dimensions (h x w x d) inch
83 3/4 " x 23 3/4 " x 24"
Required cutout size (HxWxD) (in)
84" x 24" x 24 3/4"
Appliance Width (in)
23 3/4 "
Height (in)
83 3/4 "
Depth (in)
24"
Product packaging dimensions (HxWxD) (in)
88.97 x 27.55 x 29.52
Total unit gross capacity (cu. ft.) - AHAM
12
Net weight (lbs)
354
Gross weight (lbs)
386
2013-10-17
Page 1

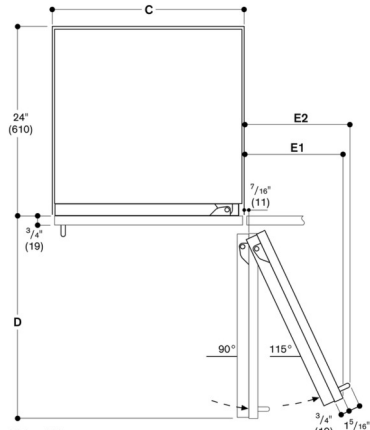
RF463703
 Freezer column
 Fully integrated appliance
 Width 24" (61 cm)
 Left-hinged

2013-10-17
 Page 2



The maximum door front measurements are designed for a gap measurement of 3 mm.

Wall clearance RB 472/RC/RF/RW



Niche width	C	D	E1	E2
18" (457 mm)	20 1/16" (525 mm)	9 7/16" (235 mm)	10 7/16" (265 mm)	
24" (610 mm)	26 7/8" (677 mm)	11 7/16" (299 mm)	13" (330 mm)	
30" (762 mm)	32 1/16" (830 mm)	14 7/16" (363 mm)	15 9/16" (395 mm)	

The drawing is based on a cabinet panel width of 3/4" (19 mm) and a Gaggensu cabinet handle height of 1 5/16" (49 mm).