



Color Variants

KG491110CA
Stainless steel
Width 36"

Optional accessories

WP400001
Wok pan made of multiple-layer material

Product Variants

KG491210CA
400 Series gas cooktop
Stainless steel
Width 36"

KG491110CA
400 series gas cooktop
Stainless steel
Width 36"

- Propane gas
- Automatic quick ignition.
- Gas valve with fine control.
- Total rating: 58,000 BTU
- Can be built-in next to the modular cooktops of the Vario 400 series.
- Solid smooth-surface cast pan supports.
- Electronic flame monitoring (ionization principle) with automatic reignition.
- Control knobs like in a professional kitchen.

Cooking zones

Wok burner with 17,000 BTU output. For the typical Asian quick braising and for large pots and pans.

2 two-ring super-high output burners 500 - 13,600 BTU (150 - 4,000 W), suitable for pots up to max. ø 11".

2 two-ring standard burners 500 - 6,800 BTU (150 - 2,000 W), suitable for pots up to max. ø 9 1/2".

Control knob with ring and output marking.

Electronic flame monitoring with automatic re-ignition.

One-handed operation.

Three-part pan support with flat, continuous pot surface.

Brass burner rings.

Planning notes

Special nozzles can be ordered as spare parts.

The appliance is not operable without electrical connection.

Control knobs can be integrated in the bottom cabinet at drawer level.

Front panel thickness 5/8" - 1".

The details below must be observed if the panel is more than 1" thick (there must be a recess at the rear for proper control module installation).

Air intake from above.

No intermediate shelf required.

The rear panel must consist of a non-flammable material. Wall trims must be resistant to heat.

A minimum clearance of 12" from adjacent heat-sensitive wooden side panels must be observed or thermal insulation must be used.

Installation in a 36" bottom cabinet.

Appliance must be fixed from underneath.

Clamping range: 1 13/16" - 2".

A ventilation hood must be switched on during operation of the gas cooktop.

Distance between hood and gas cooktop should be at least 30".

The combination with VL 430/431 is not recommended. The air extraction from the center burner cannot be guaranteed due to the distance.

Rating

Connecting cable 30" with standard wall plug.

Total rating: 58,000 BTU

Product Features

Knob Material

Full metal

Sealed Burners

No

Burners with booster

Type of grate

Cast iron

Total BTU load

58000

LP Gas Connection Rating (BTU)

Power of 1st heating element (kW in boost)

Dimension of 1st heating element (in)

11 "

Power of 2nd heating element (kW in boost)

Dimension of 2nd heating element (in)

11 "

Power of 3rd heating element (kW in boost)

Dimension of 3rd heating element (in)

Power of 4th heating element (kW in boost)

Dimension of 4th heating element (in)

Power of 5th heating element (kW in boost)

Dimension of 5th heating element (in)

11 "

Power of 6th heating element (kW in boost)

Dimension of 6th heating element (in)

12 5/8 "

Consumption and connection features

UPC code

825225828846

Variant color

Stainless steel

Energy source

Gas

Gas type

Liquid gas 27,5 mbar (USA)

Alternative gas type

Watts (W)

18

Current (A)

Volts (V)

120

Frequency (Hz)

60

Approval certificates

AGA, CGA, CSA

Power cord length (in)

55 "

Plug type

120V-3 prong

Required cutout size (HxWxD) (in)

5 1/8 " x 34 13/16 " x 19 5/16 "

Minimum distance from counter front (in)

Minimum distance from rear wall (in)

Overall appliance dimensions (HxWxD) (in)

+5 1/8 " x 36 " x 20 1/16 "

Product packaging dimensions (HxWxD) (in)

11.41 x 26.77 x 39.37

Net weight (lbs)

68

Gross weight (lbs)

73

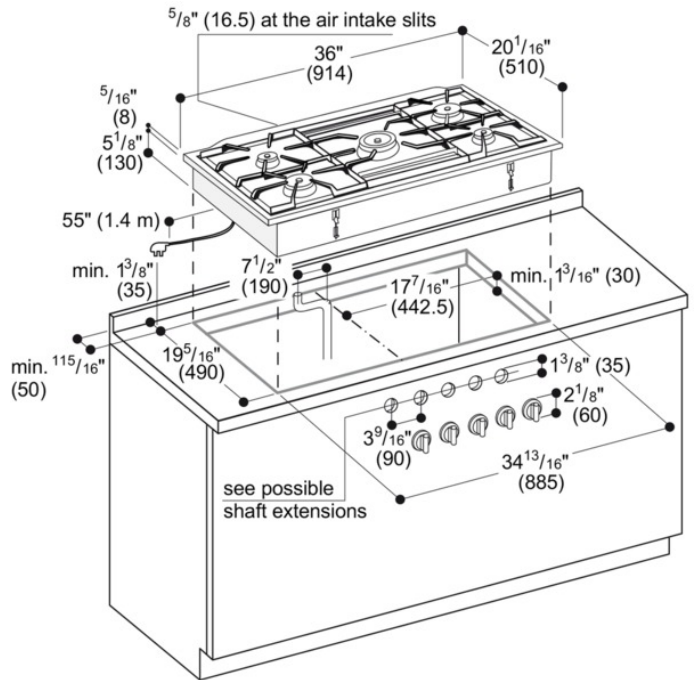
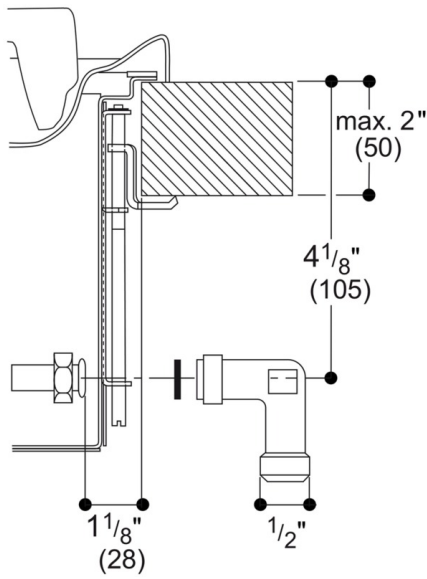
Total number of cooktop burners

5

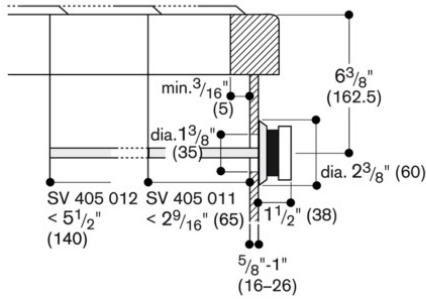
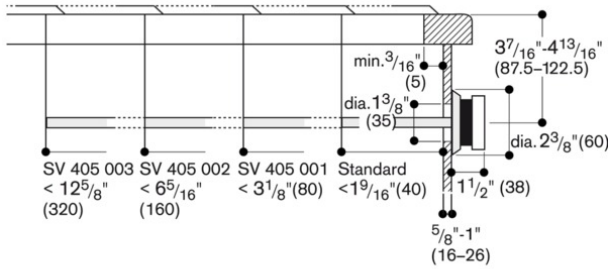
2013-04-22

Page 1

Gas connection



Possible spindle extensions



Installation of the control knobs

