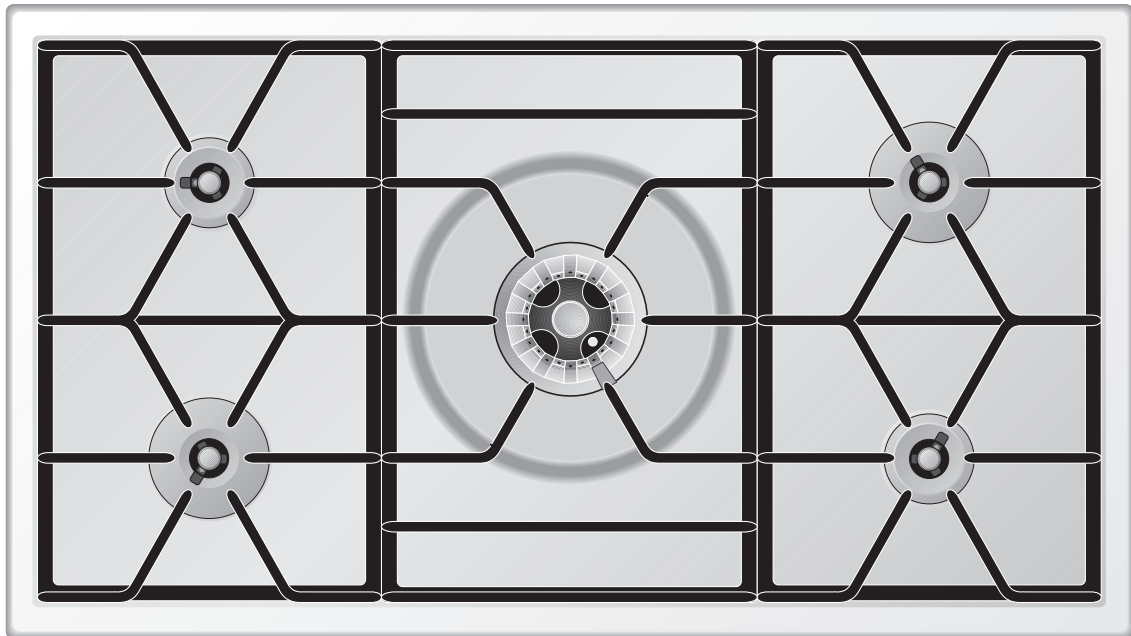


Operation, Maintenance and Installation Manual

KG 491 CA

Gas Cooktop



GAGGENAU

FOR YOUR SAFETY	Page 2
1. Important Information for Installation and Use	Page 3
2. General Safety Instructions	Page 4-5
3. Important Notes	Page 6-7
For Your Safety	Page 6
Operating for the First Time	Page 6
About Use	Page 7
4. Features	Page 8
Features of the Appliance	Page 8
Control Knobs	Page 8
Burner Parts	Page 8
5. Operating Principle	Page 9
6. Operation	Page 10-11
7. Settings Table	Page 12
8. Cookware Recommendations	Page 13
9. Wok Cookware Recommendations	Page 14
10. Cleaning and Care	Page 15-17
11. Maintenance	Page 18
12. Trouble Shooting	Page 19
13. Technical Data / Nozzle Table	Page 20-21
14. Installation Instructions	Page 22-32
Important Notes	Page 22
Cabinet Requirements	Page 23
Electrical Connection	Page 24
Gas Connection	Page 25
Preparing the Cabinet	Page 26
Installing the Cooker	Page 27
Installing the Spindles	Page 28-29
Nozzle Replacement	Page 30-32

FOR YOUR SAFETY

WARNING: If the information in this manual is not followed exactly, a fire or explosion may result causing property damage, personal injury or death.

Do not store or use gasoline or other flammable vapors and liquids in the vicinity of this or any other appliance.

WHAT TO DO IF YOU SMELL GAS:

- **Do not try to light any appliance.**
- **Do not touch any electrical switch; do not use any phone in your building.**
- **Immediately call your gas supplier from a neighbor's phone. Follow the gas supplier's instructions.**
- **If you cannot reach your gas supplier, call the fire department.**

Installation and service must be performed by a qualified installer, service agency or the gas supplier.

1. Important Information for Installation and Use

1. Do not allow the flame to extend beyond the edge of the cooking utensil. This instruction is based on safety considerations.
2. Do not forget that the unit becomes hot when in use. Common sense is important. Just because the flame is out, it does not mean parts still cannot be hot.
3. This appliance shall not be used for space heating. This instruction is based on safety considerations.
4. Be sure to disconnect the electrical supply before disassembly of the appliance.
5. Keep the appliance area clear and free from combustible materials, gasoline and other flammable vapors and liquids.
6. Do not obstruct the flow of combustion and ventilation air.
7. Cabinets installed above the gas cooktop must have a minimum distance of 762 mm (30").
8. The gas pressure regulator supplied with the appliance must be installed in line with the gas pipe.
9. The appliance and its individual shutoff valve must be disconnected from the gas supply piping system during any pressure testing of the system at test pressures in excess of 3.5 kPa (1/2 psig). The appliance must be isolated from the gas supply piping system by closing its individual manual shutoff valve during any pressure testing of the gas supply piping system at test pressures equal to or less than 3.5 kPa (1/2 psig).

10. Important:

When using a very large pot, keep a distance of at least 50 mm (2") to avoid damaging any parts in counter top wood, plastic or other non-heat-resistant materials. Never leave oil or hot fat unattended.

Note: To avoid jeopardising the electrical safety of the appliance, it is forbidden to use high-pressure or steam jet cleaning devices.

Note: The name plate is attached to the bottom of the unit and to the inside of the housing.

Only for Installation in USA:

This installation must conform with local codes or, in absence of local codes, with the National Fuel Gas Code, ANSI Z 223.1 Current Issue.

The installer must leave these instructions with the appliance, and the consumer should keep them for future reference. If an external electrical source is utilized, the appliance must be electrically grounded in accordance with local codes, with the National Electrical Code ANSI/NFPA 70 Current Issue.

For Massachusetts Installations:

1. Installation must be performed by a qualified or licensed contractor, plumber or gas fitter qualified or licensed by the state, province or region where this appliance is being installed.
2. Shut-off valve must be a "T" handle gas cock.
3. Flexible gas connector must not be longer than 36 inches.

Only for Installation in Canada:

In Canada, installation must be in accordance with the CAN 1-B149.1 and .2 – Installation Codes for Gas Burning Appliances and/or local codes. The installer must leave these Instructions with the appliance and the Consumer should retain them for future reference.

This appliance when installed, must be electrically grounded in accordance with local codes or, in the absence of local codes, with the current CSA Standard C 22.1-Canadian Electrical Code, Part I.

For mobile Housing and Recreational Vehicle installation must conform with the following:

CAN/CSA Z240 MH
CAN/CSA Z240 RV

Installation Requirement For Gas Burning Appliances And Equipment In Mobile Homes CSA Standard C 22:1 - Canadian Electrical Code Part 1 and /or local Codes.

2. General Safety Instructions

Read all instructions in this Operation and Maintenance Manual carefully before using your new GAGGENAU Cooktop. As the user, you are responsible for maintenance and proper use in the household.

WARNING: These precautions will reduce the risk of burns, electric shock, fire, and injury to persons. Use extreme care when using this cooktop as this appliance provides intense heat and can increase the accident potential.

When using kitchen appliances, these basic safety precautions must be followed:

- **Insure proper installation and servicing.** Follow the installation instructions provided with this product. Have the cooktop installed and grounded by a qualified technician. **Do not operate the appliance if it is damaged.**
- **Have the installer show you where the gas supply shut-off valve is located** so that you know how and where to turn off the gas to the cooktop.
- **If you smell gas,** follow the instructions on page 2. If the connections are not perfectly tight, you can have a small leak and therefore a faint gas smell. Finding a gas leak must be done by a qualified service technician.
- **Do not repair or replace any part of the appliance** unless specifically recommended in this manual. All other servicing should be referred to a qualified technician. Disconnect the appliance from the power supply at the fuse point and the gas supply during every maintenance operation.
- **Children should not be left alone or unattended in an area where appliances are in use.** They should never be allowed to sit or stand on any part of the appliance.
- **Do not store items of interest to children above the cooktop or at the back of it.** If children should climb onto the appliance to reach these items, they could be seriously injured.
- **Never use any part of the cooktop for storage.** Flammable materials can catch fire and plastic items may melt or ignite.
- **When connecting electrical appliances** near the Cooktop, make sure that connecting cables do not come into contact with hot cooking surfaces!
- **If the cooktop is near a window,** be certain the curtains do not blow over or near the Cooktop burners; they could catch on fire.
- **DO NOT USE WATER ON GREASE FIRES.** Turn appliance off and smother fire with baking soda or use a dry chemical or foam-type extinguisher.
- **Never let clothing, pot holders, or other flammable materials come in contact with or close to any burner or burner grate** until it has cooled. Fabric may ignite and result in personal injury.
- **Use only dry pot holders.** Moist or damp pot holders on hot surfaces may cause burns from steam. Do not use a towel or other bulky cloth in place of pot holders. Do not let pot holders touch hot burner grates.
- **For personal safety, wear proper apparel.** Loose fitting garments or hanging sleeves should never be worn while using this appliance. Some synthetic fabrics are highly flammable and should not be worn while cooking.
- **The appliance is designed for cooking food.** Based on safety considerations, never use the Cooktop to warm or heat a room. Such use can damage the Cooktop.
- When using the Cooktop: **DO NOT TOUCH THE BURNER GRATES OR THE IMMEDIATE SURROUNDING AREAS.** They become hot enough to cause burns.

- **Never leave the cooktop unattended.** Boil-overs cause smoking and greasy spills that may ignite.
- **Only certain types of glass, heatproof glass-ceramic, ceramic, earthenware or other glazed utensils are suitable for cooktop use.** This type of utensil may break with sudden temperature changes. Use only on low or medium heat settings according to the utensil manufacturer's directions.
- **Do not heat unopened food containers;** a buildup of pressure may cause the container to burst.
- During cooking, **set the burner control so that the flame heats only the bottom of the pan and does not extend beyond the bottom of the pan.**
- Use caution to insure that drafts like those from forced air vents or fans do not blow flammable material toward the flames or push the flames so that they extend beyond the edges of the pot.
- **Always use utensils that have flat bottoms, large enough to cover the burner.** The use of undersized utensils can expose a portion of the flame and may result in ignition of clothing.
- To minimize burns, ignition of flammable materials and unintentional spills, **position handles of utensils inward** so they do not extend over adjacent work areas, cooking areas or the edge of the cooktop.
- **Hold the handle of the pan** to prevent movement of the utensil when stirring or turning food.
- **GREASE IS FLAMMABLE.** Let hot grease cool before attempting to handle it. Avoid letting grease deposits collect. Clean after each use.
- For proper lighting and performance of the burners, **keep the ports clean.** It is necessary to clean these when there is a boil over or when the burner does not light even though the electronic igniters click. See care and maintenance section.
- **Clean the cooktop with caution.** Avoid steam burns; do not use a wet sponge or cloth to clean the cooktop while it is hot. Some cleaners produce noxious fumes if applied to a hot surface. Follow directions provided by the cleaner manufacturer.
- **Be sure all cooktop controls are turned off and the cooktop is cool** before using any type of aerosol cleaner on or around the cooktop. The chemicals that produce the spraying action can, in the presence of heat, ignite or cause metal parts to corrode. Service should only be done by authorized technicians. Technicians must disconnect the power supply before servicing this unit.
- **To avoid fire hazard, clean the ventilator hood and filters above the cooktop frequently** so grease from cooking vapors does not accumulate on them.
- **Install a smoke detector** in or near the kitchen.
- **No warranty claims** can be lodged for any damage resulting from failure to observe these instructions. Technical modifications reserved.
- **California Proposition 65 Warning:** The burning of gas cooking fuel generates some by-products which are on the list of substances which are known by the State of California to cause cancer or reproductive harm. California law requires businesses to warn customers of potential exposure to such substances. To minimize exposure to these substances, always operate this unit according to the instructions contained in this booklet and provide good ventilation to the room when cooking with gas.

SAVE THESE INSTRUCTIONS

3. Important Notes

For Your Safety

You must not operate the appliance if it is damaged.

When connecting electrical appliances in the proximity of the appliance, make sure that connecting leads do not come into contact with hot cooking surfaces!

As the user, you yourself are responsible for maintenance and proper use in the household.

Only ever operate the appliance under supervision.

Do not operate the appliance without pots and pans placed on it. Make sure that all the burner parts are correctly fitted.

Caution: The appliance heats up during operation. Keep children away.

Do not clean the appliance with a steam cleaning apparatus or with water pressure - **risk of short-circuits!**

Isolate the appliance from the mains during every maintenance operation. To do this, remove the mains plug or switch off the corresponding household fuse. Close the gas supply.

Repairs must be carried out by authorised specialists, thus ensuring electrical safety.

No warranty claims can be lodged for any damage resulting from failure to observe these instructions.

Observe caution with oils and fats. They may overheat and burn easily. Foodstuffs that are prepared in fat and oil must only be prepared under constant supervision!

Technical modifications reserved.

Operating for the First Time

Remove the packaging from the appliance and dispose of it according to local regulations. Be careful to remove all accessories from the packaging. Keep packaging elements and plastic bags away from children.

Check the appliance for transport damage before installing it.

The appliance must be installed and connected by an authorised specialist before operation. The installation must conform with all current regulations of the gas supply companies and the regional construction regulations.

Turn all control knobs to the OFF position before connecting the appliance to the power supply.

The serial number of the appliance can be found on the quality control slip which is included with these instructions. This quality control slip should be kept, for guarantee reasons, together with your operating and assembly instructions.

Read through these instructions attentively before operating your appliance for the first time.

Thoroughly clean the appliance and accessories before using them for the first time. This will eliminate any 'newness' smells and soiling (see chapter "Cleaning and care").

About Use

The appliance is intended solely for use in the household and must not be put to any other uses.

Use the appliance to prepare meals only. It must not be used to heat up the room in which it is installed.

Use of a gas cooker **generates heat and humidity** in the room where it is installed. This is why attention must be paid to good kitchen ventilation. The natural **ventilation openings** must be kept unobstructed. Prolonged use of the appliance with several or all rings may call for additional ventilation such as opening a window or a door, or stronger air extraction by an extractor hood.

To guarantee good combustion, the room in which the appliance is installed must have a minimum volume of 1240 cft (35 m³) and must possess a door that opens outdoors or a window that can be opened.

Keep the ventilation openings at the back of the appliance free at all times.

Only ever use the burners after placing pots and pans on them. Do not heat up any empty pots or pans.

It is not permitted to use roasting pans, frying pans or grill stones heated simultaneously by several burners because the resulting heat build-up may damage the appliance.

Pots with a diameter of less than **90 mm (3 1/2")** or more than **280 mm (11") / 320 mm (12 1/2")** for **the large (WOK) burner** should not be used. When using large pots, pay attention to keeping to a minimum distance of **50 mm (2")** between the cooking vessel and combustible surroundings.

Switch the burners to the low setting whenever you remove pots or pans briefly. In this way, you reduce the risk of burns when working next to naked flames; you also save gas and reduce pollution.

Whenever the gas hob is fitted under an extractor hood, always cover the rings with pots or pans. Otherwise, parts of the extractor hood may become damaged by the extreme heat development or grease residues in the filter may ignite.

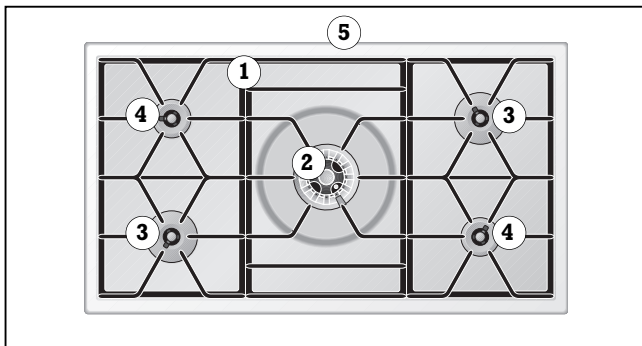
Ensure an adequate supply of air when using an extractor hood operating in the extraction mode

The appliance cannot be used during a **power failure**.

In the event of malfunctions, contact your specialist dealer or Gaggenau USA on (800) 828-9165.

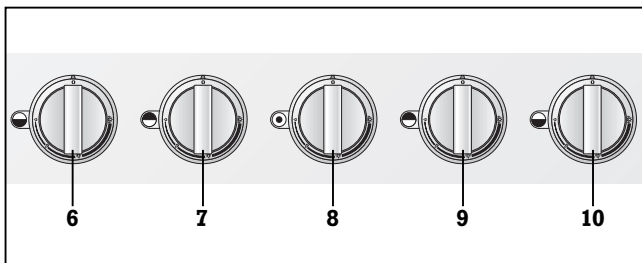
4. Features

Features of the Appliance



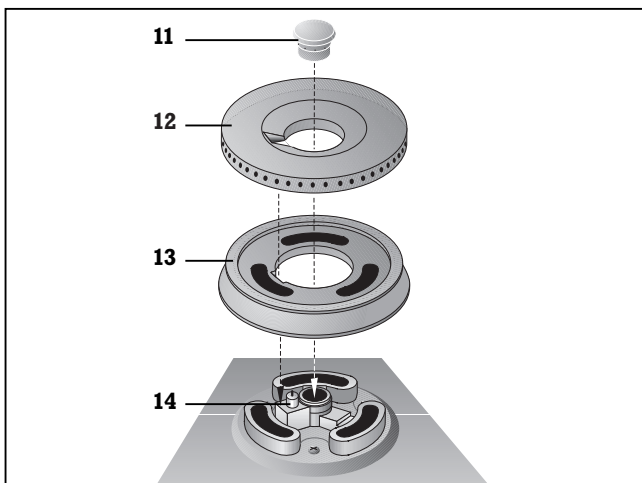
- 1 Pot grids
(3 parts, the left and right part are identical)
- 2 Large (Wok) burner
- 3 Large burner
- 4 Normal burner
- 5 Ventilation openings

Control Knobs



- 6 Control knob for front left cooking zone
- 7 Control knob for rear left cooking zone
- 8 Control knob for center cooking zone (wok)
- 9 Control knob for rear right cooking zone
- 10 Control knob for front right cooking zone

Burner Parts

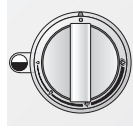
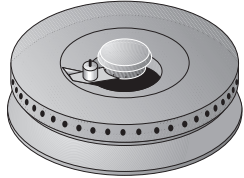


Flame setting:

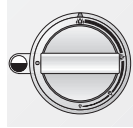
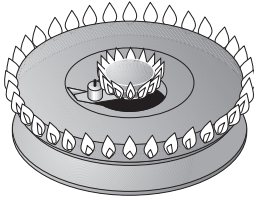
- 0 OFF
- High setting of outer and inner flame ring
- Low setting of outer flame ring
High setting of inner flame ring
- Outer flame ring off
High setting of inner flame ring
- Outer flame ring off
Low setting of inner flame ring

- 11 Burner head cover
- 12 Burner ring
- 13 Burner head
- 14 Electrode for automatic ignition,
flame detection and flame control

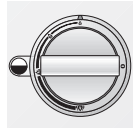
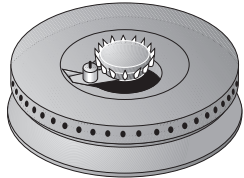
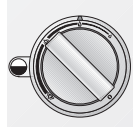
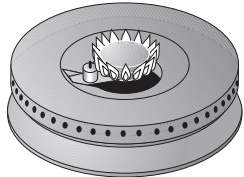
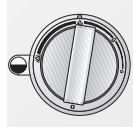
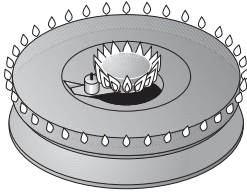
5. Operating Principle



Off



High



Low

The gas hob features two normal burners, two large burners and a Wok burner.

The appliance features one-hand operation, flame detection and automatic re-ignition. The ignition is activated when the control knob is turned.

Should the flame go out during operation, the appliance will automatically re-ignite the burner.

During a disturbance, the appliance will cut off the gas supply as a safety measure, to prevent unburned gas escaping.

The flame setting is infinitely variable between high and low.

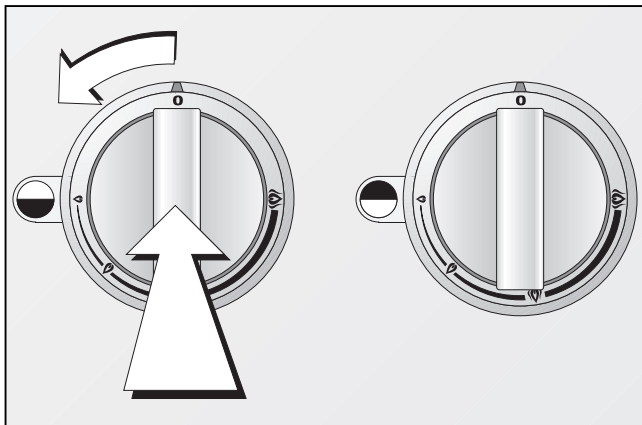
The total rated thermal load amounts to:
58,000 BTU (17 kW)

The specified rated load is defined by installation of the fixed nozzles.

The gas hob is converted to a different gas type by nozzle replacement (full and low-burning nozzles) (see nozzle table on page 20-21).

6. Operation

Only light a burner if all burner parts are dry, and assembled correctly. Otherwise, malfunctions may occur or the appliance may switch off.



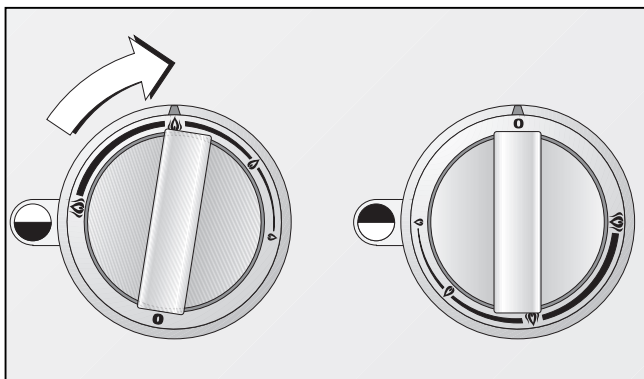
Switching on

- Place a suitable pot or a pan on the corresponding cooking position.
- Press down the control knob for the corresponding cooking position and turn it to the required position between the 🔥 and 🔥 symbols. The burner ignites automatically.
- When using large pots or pans you should ignite the burner in the low position.
- Every time the gas hob is switched on, the electronics run an auto test. All electrodes fire and the required burner ignites after a few seconds. When switching on further burners, only the corresponding electrode fires.
- When being switched on, a short sound may be heard when the electronic of the gas hob opens the gas supply valve. This is a normal condition.

The flame size can be set continuously between full and low by slowly turning the control knob.

Should the flame go out during operation (e.g. because of a draught), the appliance will automatically re-ignite the burner.







Should the re-ignition be unsuccessful (e.g. burner is soiled by spilled over food or liquid), the gas supply is switched off automatically and a signal is sounded. Turn all control knobs to the OFF position. After the appliance has cooled down sufficiently, check if all the burner parts have been assembled correctly. Check if the burners or the electrodes have been soiled. **Note:** if a malfunction occurs on one burner, you can continue using the remaining burners, however, you must turn all control knobs to the off-position first, before recommencing.



Switching off

Fully turn the control knob to the OFF position.
The electronics of the appliance switch the gas supply off, if all control knobs are in the off position.

7. Settings Table

Cooking level	Cooking method	Examples
High 	Boiling Searing Heating Boiling Blanching	Water Meat Fat, liquids Soup, sauce Vegetables
From  to 	Roasting Browning Roasting Baking Boiling in open pot Simmering in open pot	Meat, fish, potatoes Flour, onions Almonds, breadcrumbs Pancakes, egg dishes Liquids Dumplings, sausages, soup garnish, meat stock, poached eggs
From  to 	Simmering Boiling with closed lid Steaming Stewing Braising	Sweet sauces Pasta, soup, sauces Vegetables, potatoes, fish Vegetables, fruit, fish Goulash, rolled beef steaks, roasts, vegetables
Low 	Thawing Slow cooking Reheating	Frozen foods Rice, pulses Soup, casserole, vegetables in a sauce

Switch to the high setting in order to reach the required temperature quickly. Then switch back to a lower setting.

The output of the inner flame ring is the same on the normal, as well as the large burners.

The values given above must be looked upon as recommended values. The heat required depends not only on the type and condition of the food, but also the size and contents of the pot.

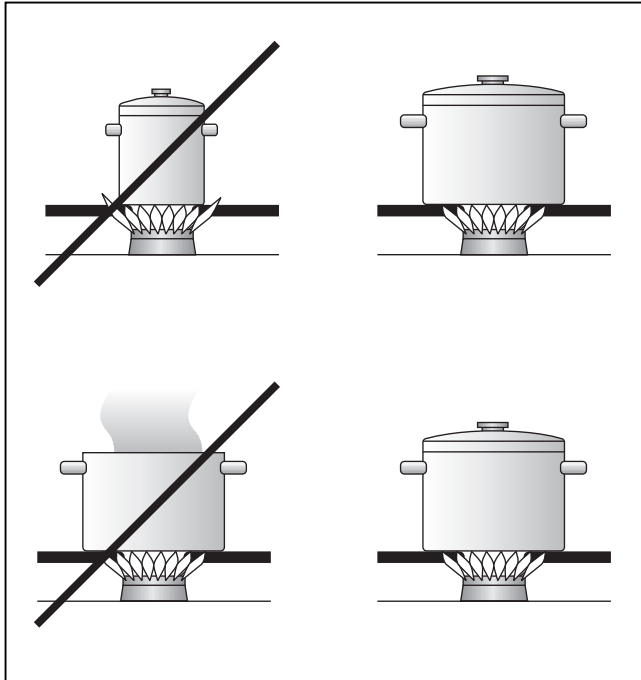
Due to the high performance of the cooktop, fat and oil will heat up quickly. Never leave the cooktop unattended, fat can ignite, food can burn.

Preferably use the rear cooking zones to prepare meals, that need longer to cook.

Preferably use the larger burners or the wok burner for brief cooking, deep fat frying and brief frying of large quantities.

8. Cookware Recommendations

KG 491	Recommended pot diameter	Minimum pot diameter
Normal Burner	7 3/4" - 9 1/2"	3 1/2"
Large Burner	9 1/2" - 11"	3 1/2"
Large Burner (Wok)	9 1/2" - 12 1/2"	6 1/4"



Pots with a diameter of less than **90 mm (3 1/2")** or more than **280 mm (11") / 320 mm (12 1/2")** for **the large (WOK) burner** should not be used. When using large pots, pay attention to keeping to a minimum distance of **50 mm (2")** between the cooking vessel and combustible surroundings.

When buying pots, pay attention to the fact that the manufacturer frequently specifies the top pot diameter, which is generally larger than the diameter of the base.

Observe the manufacturer's specifications! Use cooking utensils that the manufacturer states as being "suitable for gas". Use pots with heat resistant handles.

Use pots and pans with a thick base, because heat distribution is particularly improved in the low setting. Using the correct size of pots and pans for the burner ensures improved cooking performance and energy efficiency.

To ensure an even distribution of heat, center the pot above the burner. The flames should be covered by the pot base.

Place the pot or pan securely and level on the pot grid. Turn the pan handle to the side, it should not point to the front. In order to guarantee a secure position on the pot grid, the pot base should be flat and not warped or dented.

Placing a fitting lid on the pot will shorten cooking times. Through a glass lid you can watch the cooking progress without having to take the lid off.

9. Wok Cookware Recommendations

The Wok and Accessories

(not included in the scope of delivery)

- The round-bottom wok is the ideal wok for your gas cooker.
- The wok looks like a hollow hemisphere with a long handle or wooden handle. It has a rounded base and slanted sides. The thin steel passes the heat swiftly to the inside, but soon cools down again as soon as the flame is set to a lower setting. Therefore, ingredients cannot overcook.
- The diameter is between 35 - 40 cm / 14 - 15³/₄" for 4 persons.
- Make sure that a wok with a rounded base is positioned safely on the pot grid.
- Woks may consist of various materials. Cast-iron woks are more stable and keep the heat longer.
- They have a round, high cover. Therefore, they are also capable of steaming and stewing.
- The semicircular grid is hooked in on the edge of the wok. On it, you can steam ingredients, you can allow deep fried foods to drip or you can keep browned foods warm.
- Use the chan (rounded spatula) or a long handled, wooden spatula.
- Use a ladle to remove foods.
- Use the strainer to lift deep fried foods from the fat or large pieces out of a sauce.
- You can use bamboo baskets for steaming.

Cooking in the Wok

You can fry, steam, deep fry, stew and cook normally.

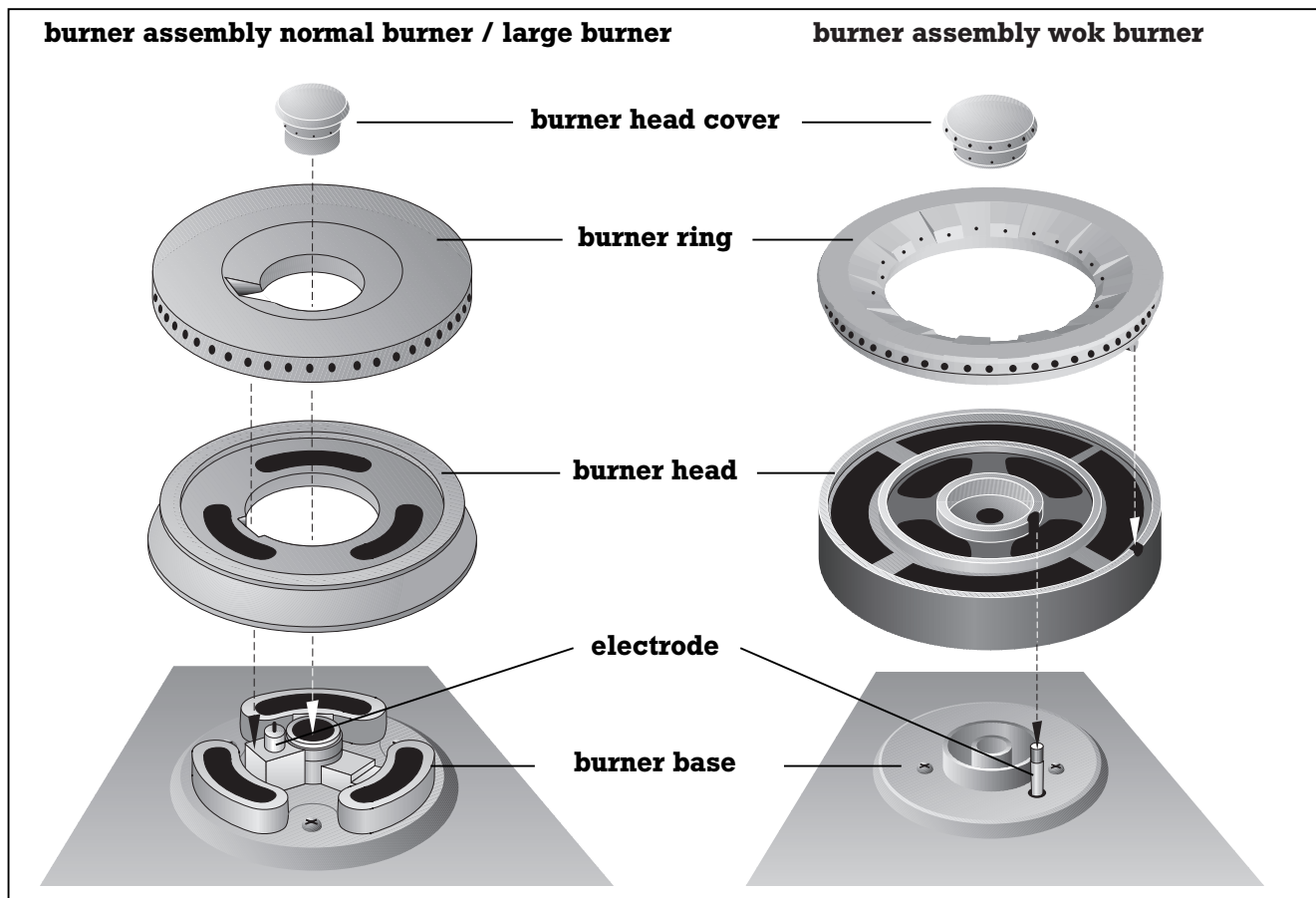
Stir frying is the special cooking method for the wok. Ingredients cut into small pieces are cooked as briefly as possible under strong heat and constant stirring. In the large, round pan everything can be stirred and turned faster and with greater ease than in a conventional frying pan. Thanks to stirring, ingredients do not burn onto the pan. Surplus oil drains off towards the middle. In next to no time, you obtain delicious roasted foods, the pores in meat close and the meat stays soft and juicy. Vegetables stay crispy, and taste and vitamins are retained.

Important: the cooking time is so short that all ingredients should be ready for cooking before you begin. The correct sequence is also important. First place the ingredients with the longest cooking time in the wok. For example, these are hard-fibred vegetables such as carrots. Soft vegetables such as mushrooms or sprouts are added later.

Proceed as follows:

- Pour sufficient oil into the wok to coat the surface. We advise you to use peanut or or soya oil.
- Heat up the oil to just before the smoking point; only then begin with stir frying.
- Cut the food into pieces of equal size, but not too small, thus making sure they will not burn.
- If you are cooking larger quantities, work with portions as otherwise not all of the food will reach the hot base of the wok.
- Meals that are ready can be kept warm on a minimal flame. Clean the wok after every use and rub its inside with oil. This will prevent rusting.

10. Cleaning and Care



Note: to avoid jeopardising the electrical safety of the appliance, do not use high-pressure or steam jet cleaning devices – risk of short circuits!

Caution, risk of burns! Before cleaning, please wait until the cooktop has cooled to hand-warm. Never switch on the cooktop while cleaning.

Keep the **ventilation openings** on the rear of the appliance clean. Do not block the ventilation openings.

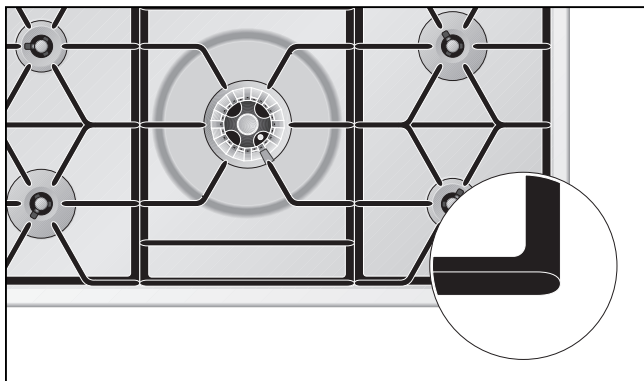
The burners (burner head cover, burner ring and burner head) will change their color during operation and become darker. This change in color will not influence the use-value.

Please thoroughly clean the appliance before operating it for the first time and after every use.

Do not use scouring agents, abrasives or chemically aggressive cleaners (for example oven cleaner)! Do not use any nitro polishing agents for cleaning! Do not use any abrasive sponges either.

Before cleaning, please wait until the cooktop has cooled to hand-warm.

- First lift one of the **pot grids** on the side with both hands (be careful not to scratch the base). Then remove the remaining two pot grids.
- Remove the **burner head cover**, the **burner ring** and the **burner head**.
- **Important!** Only clean the burner parts when cold!



- Soak **burnt-in remainders** in a little water and detergent. This loosens even the most stubborn of soiling. Do not use any abrasive agents and abrasive sponges.
- Only use very little water to clean your cooktop. Be careful that no water enters the burner base.
- As the result of heat development, slight discoloration can appear on the stainless steel surface. **Do not attempt to scrape away such discoloration.** This damages the surface. Distribute stainless steel care agents uniformly and thinly on the hob (not on the control panel!). This will ensure an even surface and will keep your hob in a good condition for a long period of time.
- Make sure the burner parts are dry before assembly. Only operate the appliance with all parts dry. Damp burner parts will cause malfunctions when igniting or unstable flames.
- When assembling the burner parts, make sure that the burner ring and burner head are placed in such a way that the locking lugs fit in the corresponding recesses.
- **Important! Fit the middle pot support first (be careful to center it over the burner) and then the pot supports on the side. The rounded corners of the pot supports on the side must face out to the side.**

Part / Material	Suggested Cleaning Procedure	Important Reminders
Control Knobs	Wipe with a damp cloth.	Cloth should not be too wet, as moisture could penetrate behind the control knob.
Pot Grid (enamel on cast iron)	Take pot grids off for cleaning. Soak in sink. Clean with detergent and brush.	Do not clean in a dishwasher. Soak burnt-in remainders in sink. Abrasive cleaners, used too vigorously or too often can eventually mar the enamel.

see next page

Part / Material	Suggested Cleaning Procedure	Important Reminders
Burner Head Cover, Burner Ring, Burner Head (brass)	Remove coarse soiling with damp cloth and detergent. Use brass polish to keep the original shiny surface.	Do not clean in a dishwasher. Port openings must be kept free. Be careful not to loose the small parts.
Wok Burner Head (enamel on cast iron)	Clean with detergent and brush.	Do not clean in a dishwasher.
Electrode	Clean with brush, fine glass-paper or scouring pad.	Soiled electrodes may cause malfunctions when igniting or flame control disturbance. Be careful when cleaning electrodes, they are fragile, do not turn. Caution: never switch on cooktop while cleaning electrodes.
Base (stainless steel, shot blasted, brushed)	Cloth with detergent and hot water. Soak burnt-in remainders with a little detergent solution. After cleaning, polish dry with a soft cloth to prevent water stains forming on the surface. For heavy soiling, you can order our stainless steel cleaner (Order No. 310631) from your Gaggenau dealer. Caution: no liquid should enter the housing of the cooktop through the burner base.	To prevent marring the polished stainless steel trough, always polish in the direction of the polish lines. Light discolorations may form if the natural oxidation is removed together with the soiling. Put some commercially available stainless steel polish on a cloth and polish the whole cooktop after cleaning to get an even stainless steel surface. Never allow food stains or salt to remain on stainless steel for any length of time. Important: certain stainless steel cleaners will scratch the surface. Chlorine or chlorine compounds in some cleaners are corrosive to stainless steel. Check ingredients on label.

11. Maintenance

The appliance must be disconnected from the power and gas supply during all repair work.

In the event of malfunctions, check whether the gas and electricity supplies are in proper working order.

The cooktop cannot be used during a power failure.

If the cooktop is being used when the power failure occurs, turn all of the burner control knobs to the OFF position. The cooktop will not turn back on after a power failure until all control knobs are first turned OFF and then turned back on again.

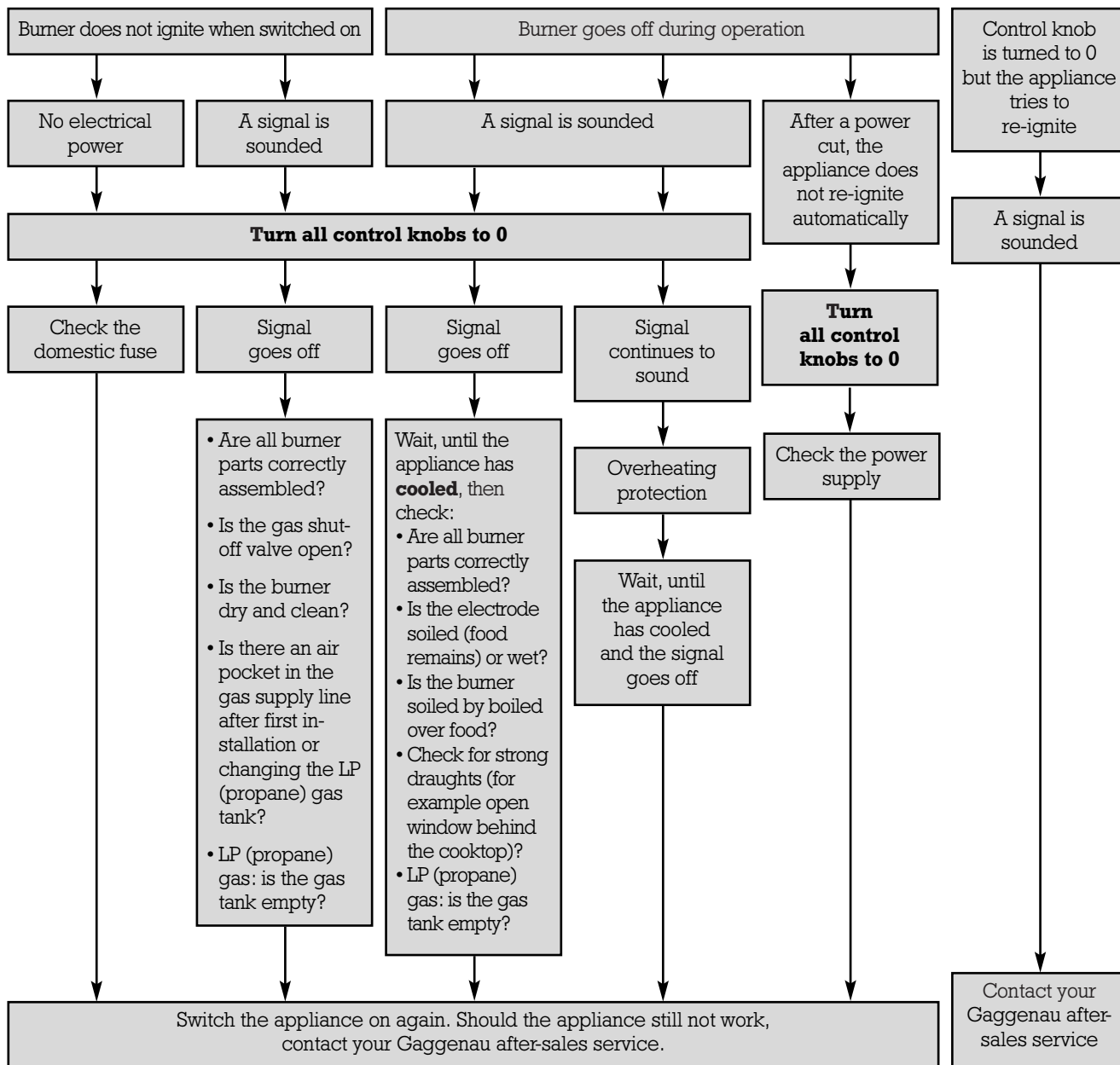
Before calling the service engineer, check the trouble-shooting guide on page 19 to see, if you can rectify the problem yourself. If your appliance still does not work, please contact your Gaggenau dealer who will provide you with the address and telephone number of your nearest manufacturer's authorized service agent or contact Gaggenau USA on (800) 828-9165. Specify the appliance type (see rating plate).

Repairs may only be carried out by authorised technicians, in order to guarantee the safety of the appliance.

Unauthorised tampering with the appliance will invalidate any warranty claims.

Only use original spare parts.

12. Trouble Shooting



13. Technical Data / Nozzle Table

Technical data (gas)

Burners:	Normal burner	
	Full burning	7,000 BTU (2 kW)
	Low burning	700 BTU (0.175 kW)
	Large burner	
	Full burning	13,500 BTU (4 kW)
	Low burning	700 BTU (0.175 kW)
	Wok burner	
	Full burning	17,000 BTU (5 kW)
	Low burning	1,000 BTU (0.3 kW)
	Total output	58,000 BTU (17 kW)

Technical data (electrical)

Rated consumption	15 W
Voltage	AC 120 V
Frequency	60 Hz

Technical modifications reserved.

Gas connection: R 1/2" union nut for R 1/2" bracket to DIN 1999, conical-cylindrical

Nozzle tables

Countries	US CA	US CA
Gas family	Natural gas	LPG/Prop.
Pressure	6" W.C. (1.5 kPa)	10" W.C. (2.5 kPa)
Total output (5 burners)	58,000 BTU (17 kW)	58,000 BTU (17 kW)

Nozzle table wok burner

Nozzle, full burn, outer	1.55	110 A
Nozzle, low burn, outer	0.75	0.56
Nozzle, full burn, inner	0.60	0.42
Nozzle, low burn, inner	0.48	0.34
Air gap adjustm. outer [mm]	0	0
Air gap adjustm. inner [mm]	open, fixed	6 (open)

Countries	US CA	US CA
Gas family	Natural gas	LPG/Prop.
Pressure	6" W.C. (1.5 kPa)	10" W.C. (2.5 kPa)
Total output (5 burners)	58,000 BTU (17 kW)	58,000 BTU (17 kW)

Nozzle table large burner		
----------------------------------	--	--

Nozzle, full burn, outer	1.50	1.05
Nozzle, low burn, outer	0.65	0.45
Nozzle, full burn, inner	0.40	0.29
Nozzle, low burn, inner	0.42	0.28
Air gap adjustm. outer [mm]	0	2
Air gap adjustm. inner [mm]	open, fixed	open, fixed

Nozzle table small burner		
----------------------------------	--	--

Nozzle, full burn, outer	0.97	0.68
Nozzle, low burn, outer	0.48	0.34
Nozzle, full burn, inner	0.40	0.29
Nozzle, low burn, inner	0.42	0.28
Air gap adjustm. outer [mm]	0	open at maximum
Air gap adjustm. inner [mm]	open, fixed	open, fixed

14. Installation Instructions

Important Notes

Please observe the general safety notes and the important information in chapter 1 and 2.

The appliance must be installed and connected by an authorised specialist before operation. Before operating the appliance for the first time, make sure that the power and gas supply connection are in proper working order.

The installing technician is responsible for perfect functioning of the appliance at its installation location.

He must show the user how to switch off the electricity and gas supply whenever required.

Caution:

before connecting the appliance, please check whether the local connection conditions such as gas type, gas pressure and mains voltage match the appliance settings. This gas hob conforms to the categories that are specified on the rating plate. The rating plate can be found on the appliance and additionally on the quality control slip which is included with these instructions. By replacing nozzles, it is possible to set the appliance to any gas listed on the rating plate.

If the data should not match, the appliance must be changed over to the required gas type and the available pressure.

As this gas hob is not intended for connection to an exhaust gas system, pay attention to the applicable installation conditions.

The appliance may be installed in kitchen combinations made of wood or similar combustible materials without taking additional measures. The rear wall must consist of non-combustible material.

The minimum distances as described on page 23 must be observed.

The hob conforms to appliance class 3 and must be installed in the countertop as shown in the installation sketch.

We strongly recommend installation of a hood of at least 36" / 900 mm width above the cooktop. The minimum distance from the cooktop to the bottom edge of the wall hood is 30" / 762 mm.

When using more than 2 rings at the same time, please operate the extractor hood at level 2 or higher. This prevents a build-up of heat in the extractor hood.

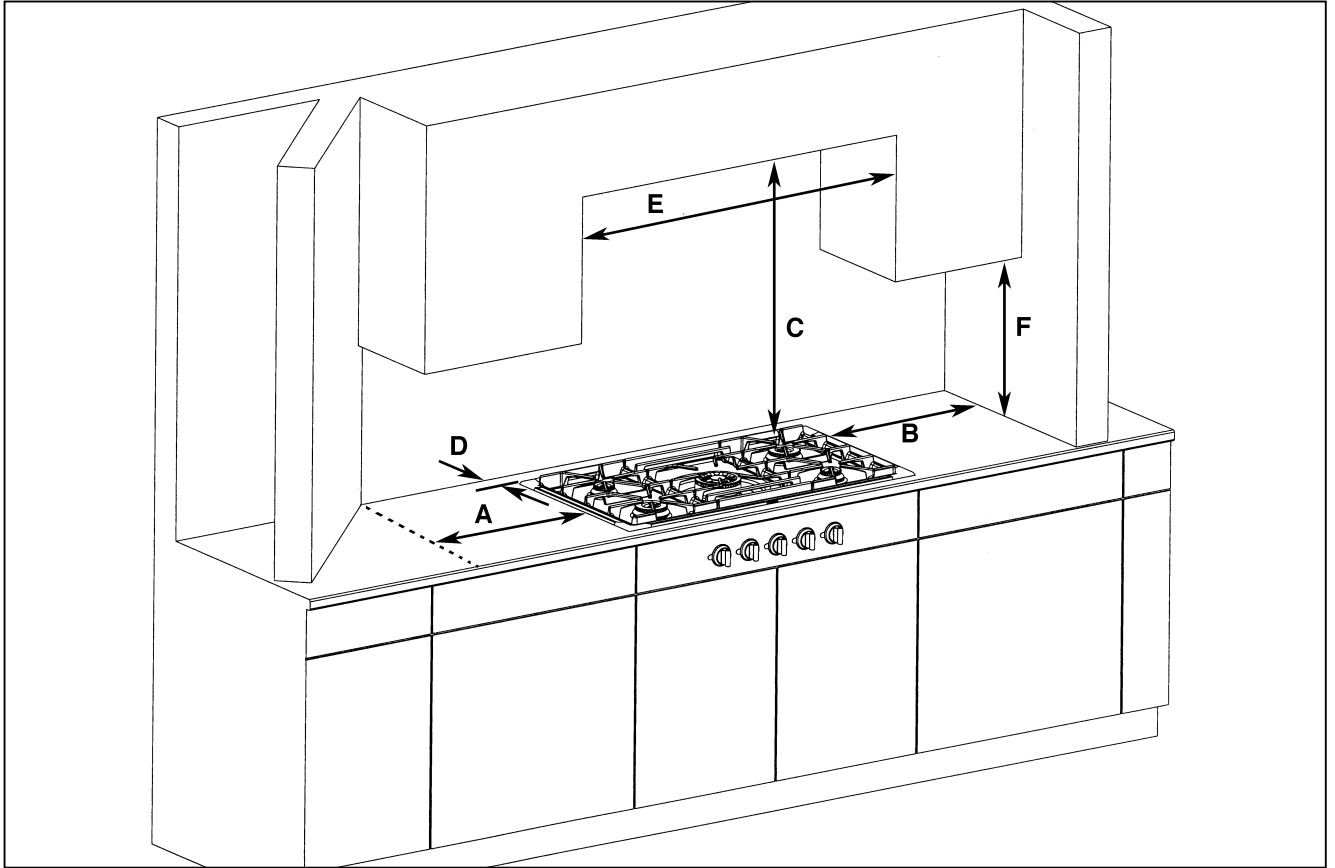
Wall trims must be heat-resistant, and the minimum distance between the hob and the wall trim is at least 1 9/16" (40 mm).

Remove the packaging from the appliance and dispose of it according to local regulations. Be careful to remove all accessories from the packaging. Keep packaging elements and plastic bags away from children.

Check the appliance for transport damage before installing it.

Technical modifications reserved

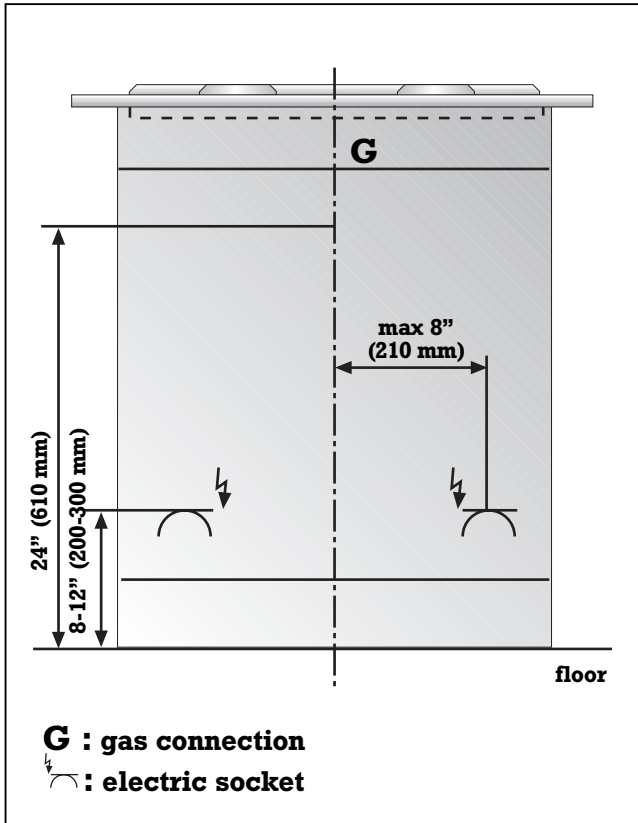
Cabinet Requirements



The minimum spaces that must be maintained when installing the gas cooktop shall be:

- A** minimum 12" (300 mm)
- B** minimum 12" (300 mm)
- C** minimum 30" (762 mm) clearance between the top of the cooking surface and the bottom of exhaust hood
- D** minimum 1 ⁹/₁₆" (40 mm)
- E** minimum 36" (914 mm)
- F** minimum 18" (458 mm)

Electrical Connection



Electrical connection (AC 110-127 V) is established by means of a connecting cable with a grounding contact plug connected to a grounded socket, which must also be accessible after installation of the gas hob.

If, after installation of the gas hob, not all poles can be isolated from the power by removing the plug, an isolating device with a contact gap of at least 3 mm must be permanently installed. When establishing connections, make sure that the connecting lead cannot come into contact with hot parts of the gas hob or other hot parts.

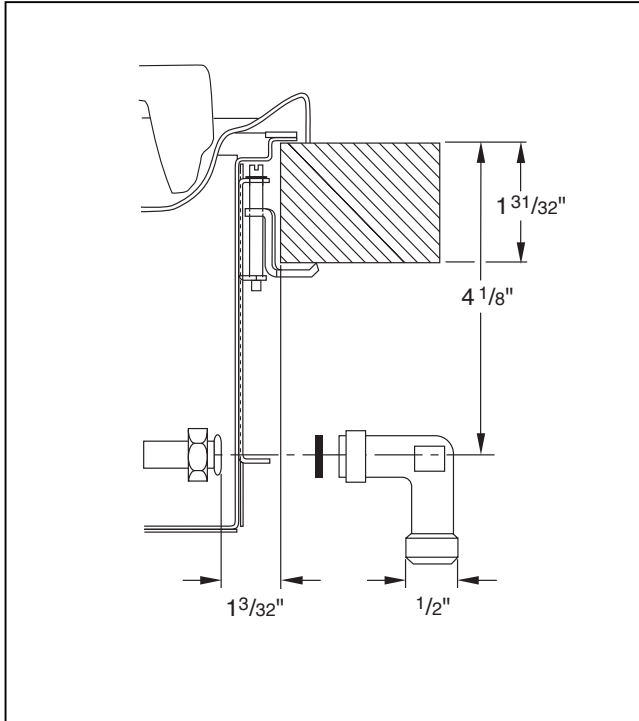
Warning:

this appliance is equipped with a three prong grounding plug for your protection against shock hazard and should be plugged directly into a properly grounded receptacle. Do not cut or remove the grounding prong from this plug.

The mains connecting cable must at least correspond to type SJT 3x18 AWG/UL/CSA or it must be correspondingly heat-resistant (at least 105 °C).

The mains connecting cable must only be purchased through and connected by an authorised specialist.

Gas Connection



Before connecting the appliance, please check whether the local connection conditions such as gas type and gas pressure match the appliance settings.

Make sure the gas supply is turned off at the manual shut-off valve before connecting the appliance.

The gas connection must be in a location that permits access to the manual shut-off valve and which, if applicable, is visible after opening the door of the cabinet.

SERVICER INFO ONLY

Connect the gas supply using the $\frac{1}{2}$ " U.S.A. elbow and the fiber gasket supplied with the unit. The shorter, nontapered thread fits into the threaded nut on the hob. The longer, tapered U.S.A. thread is for the incoming gas supply. Vent the gas line, check for leaks. The gas pressure regulator is supplied with the unit and comes set for natural gas. To convert regulator to LP (propane) gas:

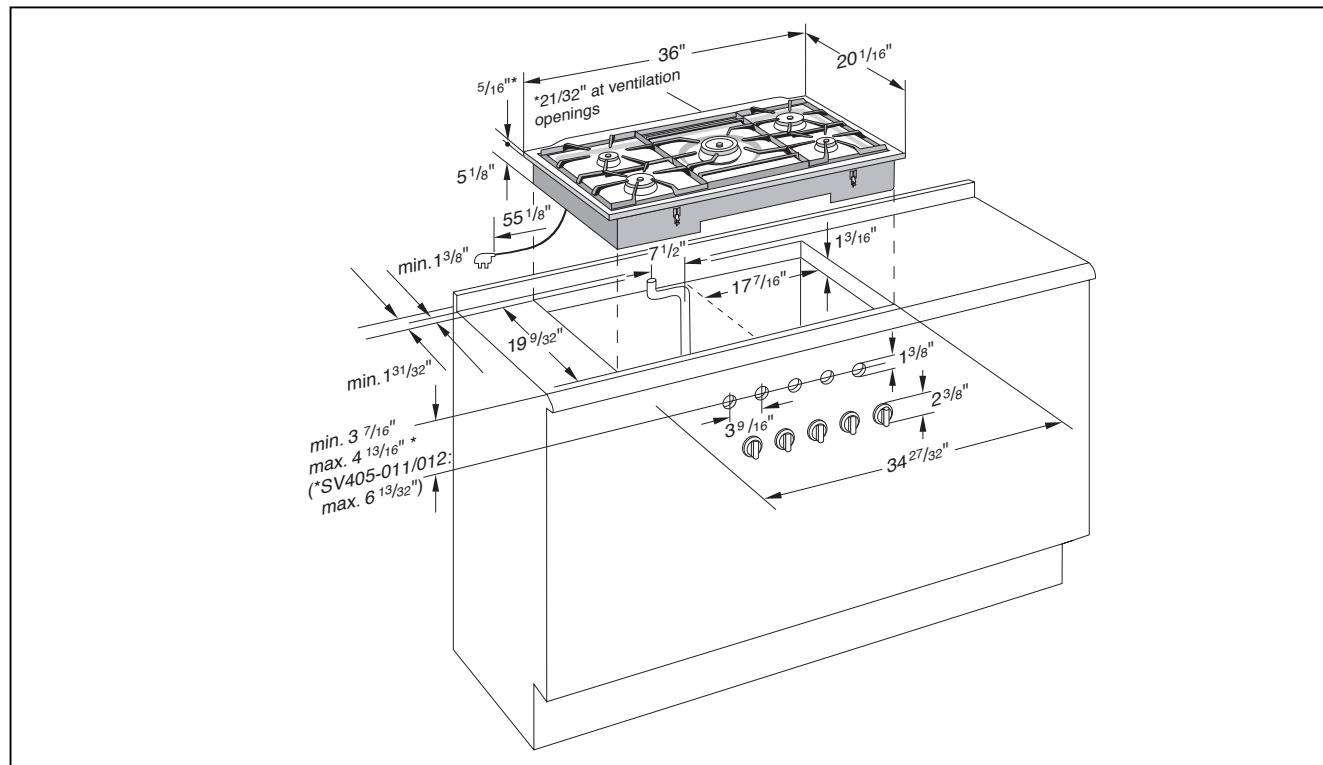
Make-Essex Model SX 229 NA-602 $\frac{1}{2}$ PSIG

1. Remove the aluminum cap from the top of the regulator.
2. Turn the cap over. It will have LP 10 stamped inside.
3. Replace the cap on the regulator.

Make-Maxitrol Model RV 47 CL $\frac{1}{2}$ PSIG

1. Remove the aluminum cap from the top of the regulator.
2. Remove the yellow plastic shaft from the cap by pushing it sideways until it pops out of the groove in the cap.
3. Turn the shaft over and push back into the cut-out in the cap.
4. Replace the cap on the regulator.

Preparing the Cabinet



The appliance is installed in a base cabinet with a width of more than 36" (914 mm).

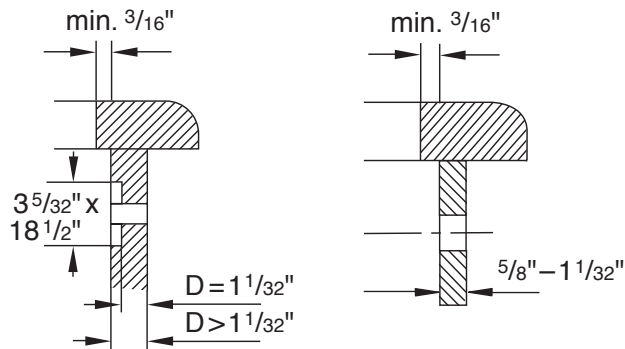
Do not install the appliance above a drawer.

- Produce the recess for the cooktop in your countertop. Proceed as indicated on the installation sketch.

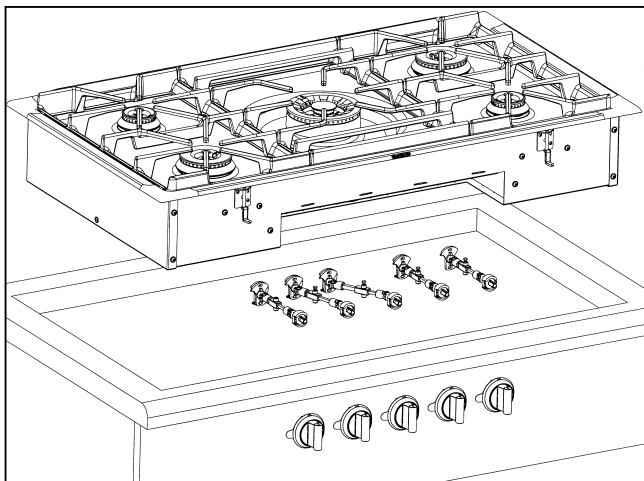
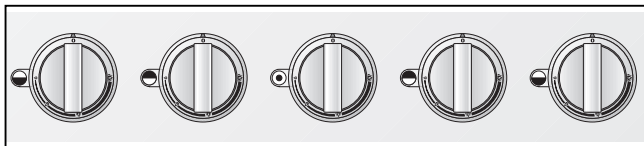
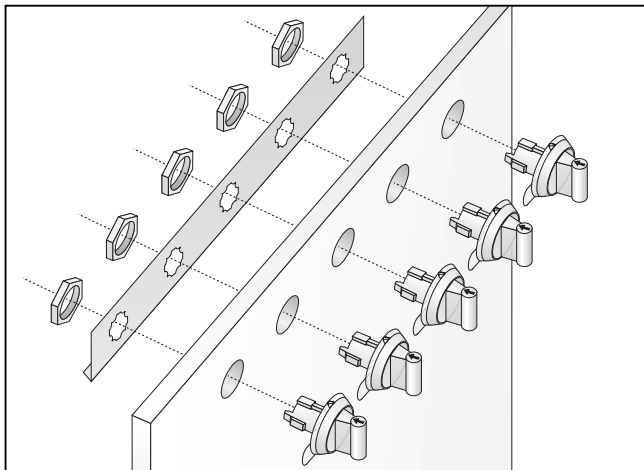
Note: the angle between the cut surface and the worktop must be 90°.

- As shown in the installation sketch, drill the $\text{Ø } 35 \text{ mm}$ ($1\frac{3}{8}$ ") holes to secure the control knobs in the cabinet front.
- If the cabinet front is thicker than 26 mm ($1\frac{1}{32}$ "), the front must be routed from the back to

max. 26 mm ($1\frac{1}{32}$ ") on an area of 80 x 470 mm ($3\frac{5}{32}$ " - $18\frac{1}{2}$ ").



Installing the Cooker



Please note: if you want to convert the appliance to a different type of gas, change the nozzles before installing the appliance (see pages 30 - 32).

- Before installation, remove all styrofoam packaging from the control knobs and peel off the protective film.
- Hold the support plate from the rear against the cabinet front (make sure the angled edge of the support plate is on the bottom), insert control knobs into the holes, secure from the rear with the nuts. Take care to install control knobs in the correct order.
- Undo trough securing nuts and carefully detach the trough.

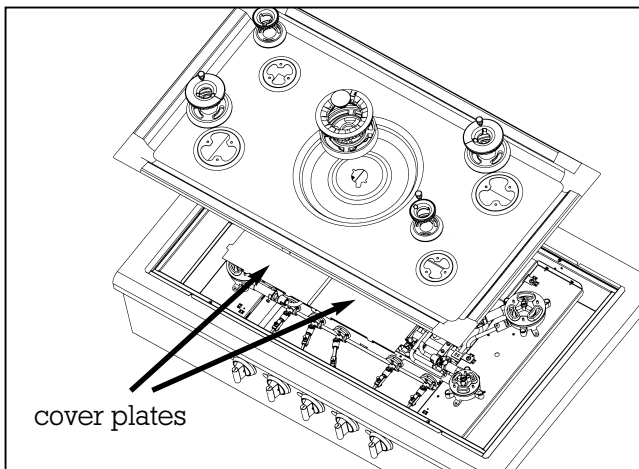
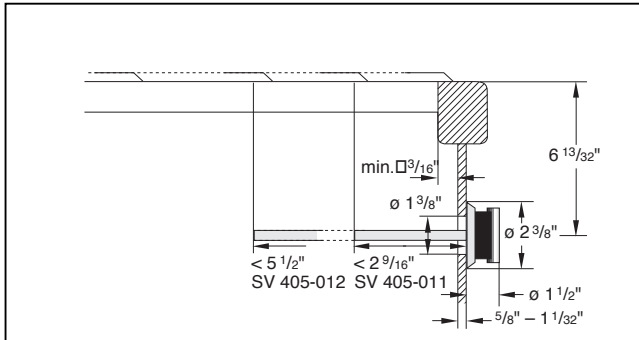
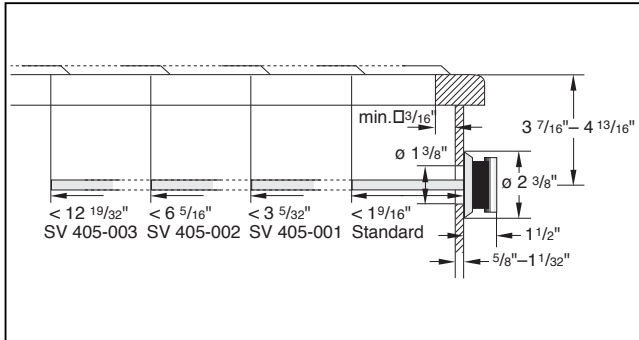
Note: if a flexible gas connection is being used, you can connect the appliance before installing it into the worktop.

- Turn the clamping screws to the side. Insert the hob into the cut-out and align it.

Note: do not stick the hob onto the worktop with silicone.

- Turn the clamping screws under the countertop and tighten them evenly from above (turn left to tighten). Do not tighten the clamping screws too tightly, as a uniform sealing gap should be left all round.

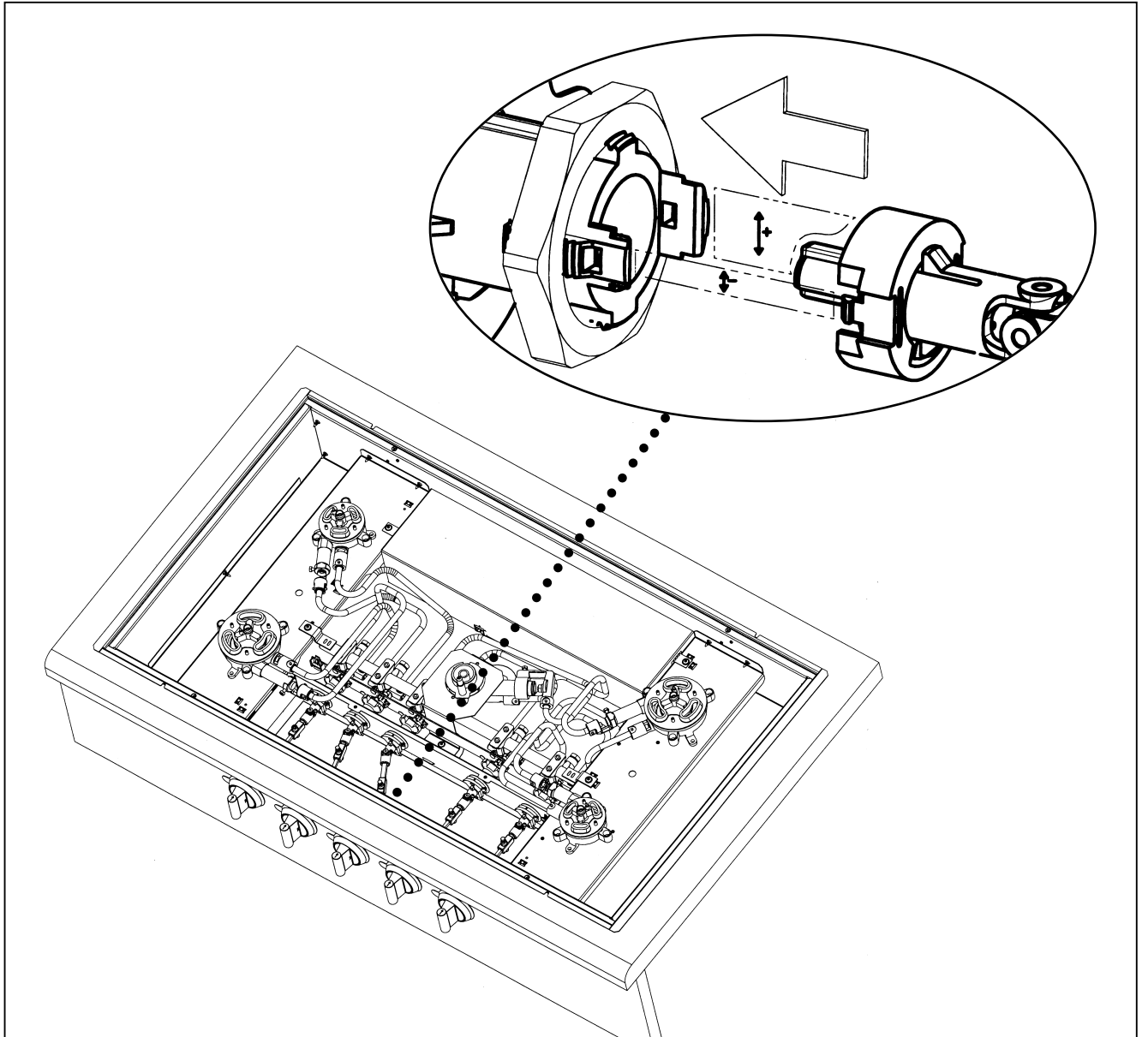
Installing the Spindles



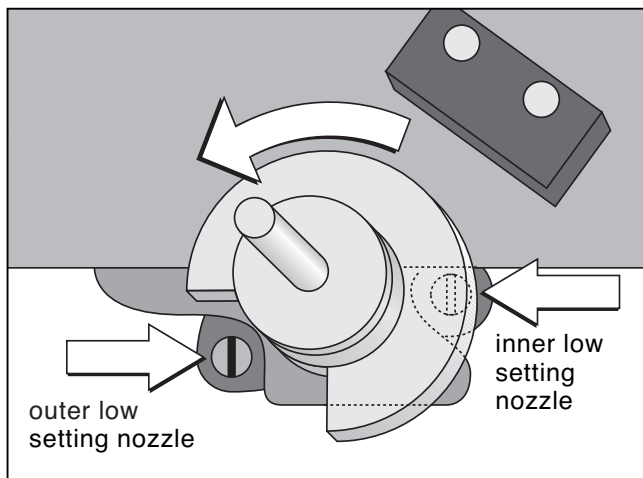
Spindle extensions (SV 405-001 / SV 405-002 / SV 405-003) are available should the appliance be installed in a worktop which is non-standard depth.

Spindle extensions (SV 405-011 / SV 405-012) are available if a larger distance between the control knobs and the worktop surface is required.

- Loosen both cover plates, slide to the center and remove.
- Insert the spindles from behind into the fittings of the control knobs. Be careful that the broader pin of the control knob fits the broader fitting of the spindle. There are four equal spindles and one that is longer: use the longer spindle for the wok burner (center control knob).
- The gas taps of the burners must be in the off position (flat side to the top). Slide the spindles on the gas taps.
- Fix the spindles with the screws provided.
- Replace and screw on both cover plates.



Nozzle Replacement



**See table on page 20-21
for details of nozzle settings.**

Changing over to a different gas type

Only authorised specialists are permitted to change over to a different gas type.

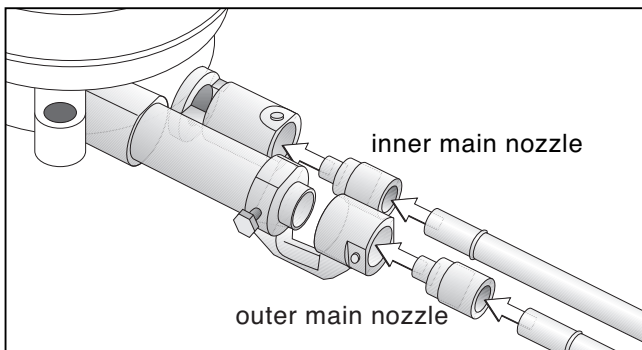
The nozzles needed for the gas type to be set are available as a conversion kit. Please specify the appliance type and the required gas type. The nozzles can be changed on the installed appliance.

Loads for all gases

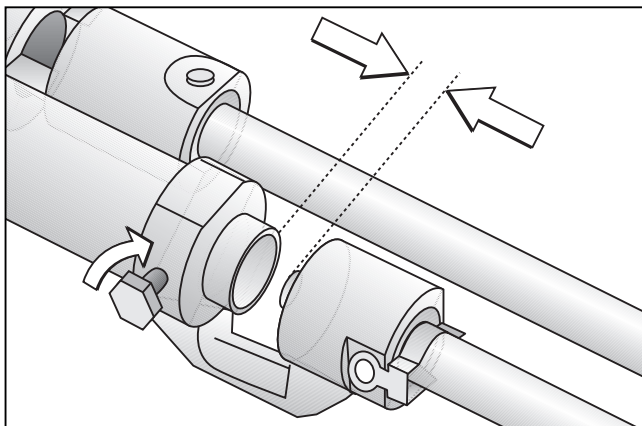
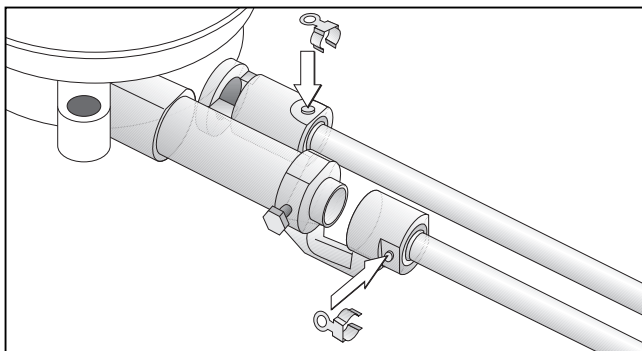
For all gas types and pressures, the rated load is achieved by installing the high and low setting nozzles for the required gas type (see nozzle table).

Replacing the low setting nozzles

- Switch off the power at fuse point and close the gas supply!
- Detach pod grids, burner rings, burner head covers and burner heads.
- Undo trough securing nuts (three 7 mm nuts on each burner and two Torx T20 on the wok burner) and carefully detach the trough.
- Loosen both cover plates, slide to the center and remove.
- Remove the spindles between the control knobs and the gas taps.
- Remove the cover plate from the gas taps.
- Turn the gas tap with the plastic part so that the recess is above the nozzle. Screw out nozzle and take nozzle out with small pliers.
- Replace both low setting nozzles on the gas taps according to the new gas type and as detailed in the low setting nozzle table. Fully screw in the new low setting nozzles.
Important: be careful not to damage the O-ring.
- Re-fit spindles and cover plates.

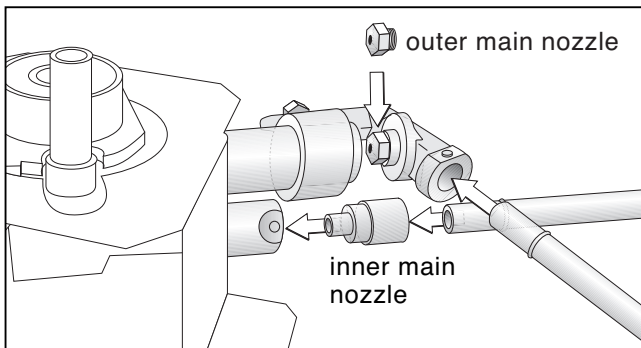


**See table on page 20-21
for details of nozzle settings.**

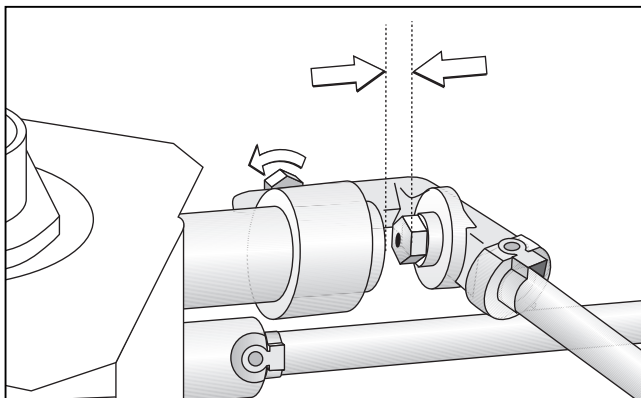
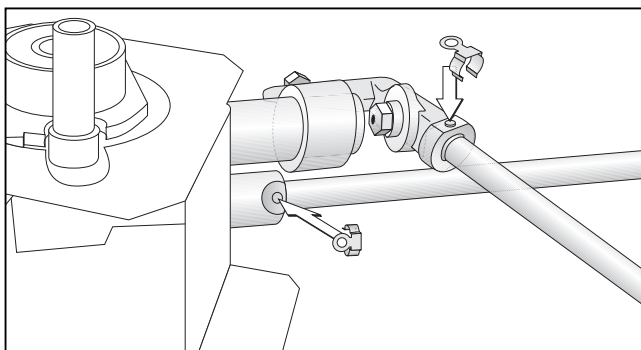


Replacing the main burner nozzles of the normal burner and large burner

- Detach the safety spring on the supply lines. Leave the electrode connected. Unscrew the burners from the trough (Torx T20) and pull off the burner from both supply lines.
- Carefully pull off both main nozzles together with the O-ring by hand.
- Check whether the O-rings of the new nozzle seats are fitted correctly. Fully push nozzles onto the supply lines. **Note:** do not bend supply lines.
- Push the burners onto the supply lines. Push the safety springs back on.
- Screw the burners back on the trough.
- Loosen the locking screw and adjust the air regulation bush according to the nozzle table. Tighten the locking screw.



**See table on page 20-21
for details of nozzle settings.**



Replacing the main burner nozzles of the wok-burner

- Unscrew the Wok burner from the trough (Torx T20). Loosen locking screw from the air regulation bush. Fully push in the air regulation bush. Detach the safety springs on the supply line. Leave the electrode connected.
- Carefully pull off the Wok burner from both supply lines. Carefully pull off the inner main nozzle with O-ring by hand. Screw out the outer main nozzle (10 mm).
- Check whether the O-ring is fitted correctly in the nozzle seat of the new inner main nozzle. Fully push nozzle onto the supply lines. **Note:** do not bend supply lines.
- Change the screw-in nozzle and tighten it firmly.
- Push the burners onto the supply lines. Push the safety springs back on.
- Screw the burner back on the trough.
- Loosen the locking screw and adjust the air regulation bush according to the nozzle table. Tighten the locking screw.
- Fit the trough and tighten it firmly.

Checking functions

The flames are adjusted correctly if no yellow tips are visible and if they do not go out when switching over swiftly from the high to the low setting.

Please do not forget to stick the new adhesive label included with the nozzle set over the old adhesive label on the gas connection, thus documenting the changeover to a different gas type.

GAGGENAU

GAGGENAU HAUSGERÄTE GMBH
CARL-WERY-STR. 34 · 81739 MÜNCHEN
GERMANY

☎ (089) 45 90-03
FAX (089) 45 90-23 47

GAGGENAU

5551 McFADDEN AVENUE
HUNTINGTON BEACH, CA 92649
USA

☎ (800) 828-9165 · FAX (714) 901-0979
www.gaggenau-usa.com