



Color Variants

DF251760
fully integrated
Appliance height 34 1/16"

Included accessories

1 x baking tray spray head.

DF251760
Dishwasher
fully integrated
Appliance height 34 1/16"

- Power dishwasher: dishes clean and dry in 70 minutes
- Five programs with Aqua sensor and one additional program option
- Energy Star® qualified

Operation

Display with time remaining indicator.
Electronic refill indicator for rinsing agent.
Sanitized indicator.
Inflow water indicator.
Info-Light.
End of program indicator.
Time delay up to 19 hours.

Technical features

Aqua sensor.
Automatic detergent function.
Flow-Through Water Heater™
Soft lock.
Quadruple filter system, self-cleaning.

Programs

5 programs:
Pots and Pans 160 °F
Auto 130 °F - 150 °F
Normal 131 °F
Delicate/Economy 122 °F
Quick Wash 113 °F
Option: Power Boost.

Features

Upper basket:
Rackmatic with 2 levels, adjustable in height of 2".
2 folding tines.
Lower basket:
4 folding tines.
Cutlery basket.
Maximum plate sizes (upper/lower basket):
10" / 11 3/4" or 8" / 13 3/4".
12 place setting capacity.

Consumption data

Total annual energy consumption 290 kwh.

Planning notes

Rear toe kick protrusion 3 9/16".
Height-adjustable feet.
Rear feet adjustable at front.
Door weight up to 21 lbs.
Door panel dimension dependent on toe kick height of kitchen cabinets.
Installation possible in tall unit.
Fixed water inlet connection.
Fixed energy connection.
Water outlet hose 118".

Rating

Noise level 41 dB.

Product Features

Leak Protection System

Aqua Stop

ChildLock

No

Water softener

No

Upper Rack

800

Adjustable upper rack

Rackmatic 3-stage

Upper rack cup shelf

3

Lower Rack

800

Lower rack cup shelf

3rd Rack

no

Silverware basket

Standard

Optional accessories

Consumption and connection features

UPC code

825225873419

Panel ready

Yes

Alternative colors available

Silence level (dBA)

46

Watts (W)

1400

Current (A)

12

Volts (V)

120

Frequency (Hz)

60

Energy Consumption (kWh/yr)

290

Energy Star® qualified

Yes

NSF certified

Yes

Plug type

Fixed connection

Power cord length (in)

Length outlet hose (in)

90 1/2

Length inlet hose (in)

Required cutout size (HxWxD) (in)

33 7/8 " - 35 " x 23 5/8 " x 22 7/16 "

Product packaging dimensions (HxWxD) (in)

36 5/8" x 26 3/8" x 26"

Net weight (lbs)

100

Gross weight (lbs)

111

Adjustable feet

Yes

Tube material

Stainless steel

Tube type

TallTub

ADA Compliant

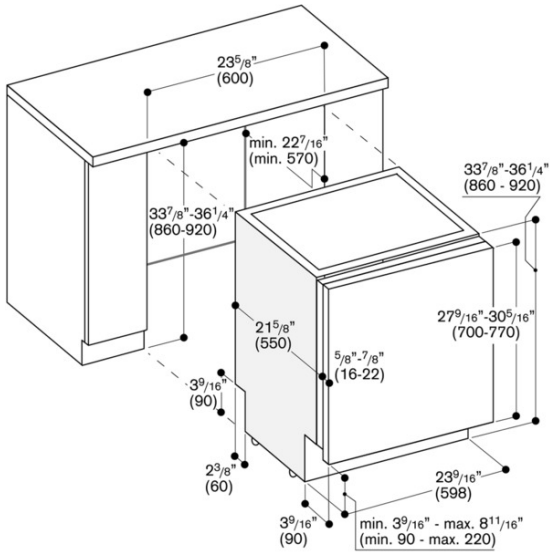
No

Number of place settings

12

2013-04-22

Page 1



base height:
- $3\frac{9}{16}"$ - $6\frac{5}{16}"$ (90-160 mm) when height is $33\frac{7}{8}"$ (860 mm)
- $5\frac{15}{16}"$ - $8\frac{11}{16}"$ (150-220 mm) when height is $36\frac{1}{4}"$ (920 mm)