



Color Variants

AW400720
Stainless Steel
Width 48"

Optional accessories

KF001010
Activated charcoal filter

AW400720

Wall-mounted hood

Stainless Steel

Width 48"

Air extraction/recirculation

- Classic design, high performance
- Highly efficient patented rim extraction
- Planed and easy to clean underside with covered filters
- Air extraction or recirculation system
- Dimmable Soft-Light

Output

Unobstructed air flow. Maximum air output 460 CFM.

Sound pressure level with DN 150:
Air recirculation 73 dB.

Features

3 electronically controlled output levels. Intensive mode.
Interval ventilation.
Delayed shut-off function
Grease filter saturation indication by flashing light
Rim extraction filter, dishwasher-safe.
Dimmable halogen Soft-Light 3 x 20 W. Glass cover.

Planning notes

For calculating the exhaust air line go to Rodun online at www.gaggenau.com.
For maximum duct lengths use Gaggenau flat rectangular ducts AD 8... or Naber-System Compair flow. Other flat ducts are not permitted!

When installing a ventilation hood with air extraction mode and a chimney-vented fireplace, the hood's power supply line needs a suitable safety switch.

A large drop in output and significantly increased noise can be expected in the air recirculation mode in case of ventilation hoods with a very high air output.

Vario cooktops with intensive production of vapours like VR/VP/VF should be placed in the middle beneath the cooker hood (in this case air recirculation is not recommended).
Clearance above gas appliances min. 30".

Clearance above electric appliances min. 30".

Side outlet possible no lower than 21 2/3" from the bottom edge of the hood (pipe middle).

Plan the socket concealed behind ventilation duct.

Weight 52 to 88 lb.

Recommendation for stainless steel parts positioned nearby that have to be welded and polished: brushed grain 280.

Surfaces: Stainless steel 1.4016, ground and brushed IIIC.

The dimensions of the air ducts refer to a distance of 63" from the floor to the bottom edge of the hood.

Convert for other installation heights:
Worktop height + minimum clearance + hood with duct cover.

Rating

Total connected load 380 W.
Connecting cable 30" with plug.

Product Features

Operating Mode

Convertible: Ducted / Recirculating

Number of speed settings

3-stage

Delay Shut off modes

10

Silence level (dBA)

Required accessories

Optional accessories

KF001010

Number of lights

3

Type of lamps used

Halogen

Total power of the lamps (W)

60

Grease filter material

aluminium

Grease filter type

Multilayer

Clean filter reminders

Electronic

Consumption and connection features

UPC code

825225888246

Material

Glass, Stainless steel

Watts (W)

380

Current (A)

Volts (V)

120

Frequency (Hz)

60

Approval certificates

CE, CSA, ETL

Power cord length (in)

59 "

Plug type

120V-3 prong

Overall appliance dimensions (HxWxD)

(in)

25 9/16" - 55 7/8" / 29 15/16" - 55 7/8" x 47 " x 21 3/4 "

Product packaging dimensions

(HxWxD) (in)

28.34 x 51.57 x 28.14

Height of the chimney (in)

21 5/8" - 51 15/16"/26" - 51 15/16"

Vertical rise height

Required distance above

cooktop/ranges

30 "/30 "

Net weight (lbs)

68

Gross weight (lbs)

93

Adjustable feet

Motor location

Maximum CFM

Diameter of air duct (in) top

6

Diameter of air duct (in) back

Discharge direction

vertical

No-return airflow flap

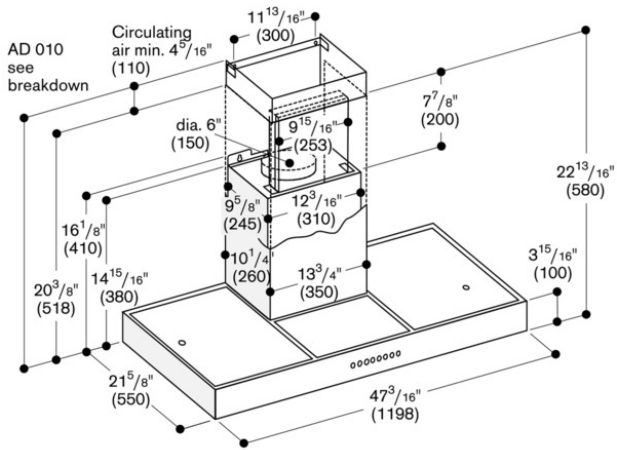
No

2013-04-22

Page 1

AW400720
 Wall-mounted hood
 Stainless Steel
 Width 48"
 Air extraction/recirculation

2013-04-22
 Page 2



Exhaust air:

AD 010 012 = 25 9/16" x 40 15/16" (650-1040 mm)
 AD 010 022 = 40 15/16" x 55 7/8" (1040-1420 mm)

Circulating air:

AD 010 112 = 29 15/16" x 40 15/16" (760-1040 mm)
 AD 010 122 = 40 15/16" x 55 7/8" (1040-1420 mm)