



Color Variants
AL400790
Stainless Steel
Width 36 inches

AL400790
Retractable downdraft with LED lighting
Stainless Steel
Width 36 inches
Comes without blower
Air extraction/recirculation with AR 400/401 blowers or AR 413 recirculation kit

- Downdraft for combination with all Gaggenau cooktops, completely retractable when not in use
- Dimmable LED light for optimum illumination of the entire cooktop
- Precision crafting of 1/8" stainless steel
- For surface mount installation with a visible edge or for flush installation
- Can be combined with other Vario cooktops of the 400 series

Output

For information on maximum air output in combination with blowers refer to the remote blower table in the Models & Dimensions, Edition 2013.

Noise level depends on the built-in situation.

Features

3 electronically controlled output levels. Intensive mode. Interval ventilation. Delayed shut-off. Grease filter saturation display. Cartridge-type filter, dishwasher-safe. Dimmable LED lighting.

Planning notes

Can be used with 3 Vario 200 series cooktops, 2 Vario 400 Series cooktops or a 36" cooktop.

Can be combined with gas cooktops up to 60.000 BTU.

In combination with the induction cooktop CI 490, installation in 24" deep countertops is possible.

Operation of Vario cooktops is only possible without appliance cover. Installation is possible in countertops made of stone, synthetics or solid wood. Heat resistance and watertight sealing of the cut edges must be observed. Concerning other materials please consult the countertop manufacturer.

If the blower or recirculation kit is installed in the bottom cabinet and if combined with VK or VF ensure accessibility to the outlets.

The remaining countertop surface (min. 1 15/16") between the cut-out of the cooktop and the AL 400 downdraft must be reinforced with a support if less than 13/16" thick for flush installation. It is recommended to use furniture support AA 409 400/430.

If built-in situation permits downdraft can be combined with ovens that do not exceed the maximum allowed cabinet temperature.

Recommendation for stainless steel parts positioned nearby that have to be welded and polished: brushed grain 280.

Surfaces: Stainless steel 1.341, ground and brushed IIIC.

For air recirculation:

The exhaust outlet in the cabinet base should be as large as possible to minimize draughts

The location of the exhaust outlet in the cabinet base is consumer-defined. Minimum cross-section 112 inches².

To avoid smoke when frying/grilling refer to the manuals of VR grill and VP teppan yaki.

For air extraction:

Product Features

Operating Mode
Convertible: Ducted / Recirculating
Number of speed settings
3-stage
Delay Shut off modes
10M
Silence level (dBA)
Required accessories
Blower
Optional accessories
Number of lights
4
Type of lamps used
LED
Total power of the lamps (W)
20
Grease filter material
Washable stainless steel
Grease filter type
Multilayer cassette
Clean filter reminders
Electronic

Consumption and connection features

UPC code
825225904069
Material
Stainless steel
Watts (W)
Current (A)
10
Volts (V)
120
Frequency (Hz)
60
Approval certificates
CE, VDE
Power cord length (in)
66,93
Plug type
Gardy plug w/ earthing, special connection
Overall appliance dimensions (HxWxD) (in)
21 1/4 " - 34 1/4 " / 21 1/4 " - 34 1/4 " x 35 3/4 " x 5 1/2 "
Product packaging dimensions (HxWxD) (in)
11.81 x 27.55 x 39.37
Height of the chimney (in)
Vertical rise height
0 "-13 "
Required distance above cooktop/ranges
Net weight (lbs)
82
Gross weight (lbs)
88
Adjustable feet
Motor location
Maximum CFM
Diameter of air duct (in) top
Diameter of air duct (in) back
6
Discharge direction
horizontal
No-return airflow flap
No

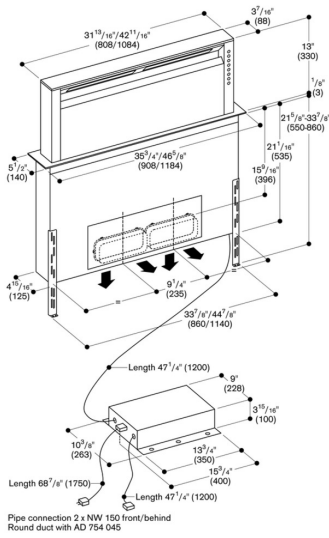
2013-07-27
Page 1

Installations using extraction with a chimney-vented fireplace require a circuit breaker for the hoods power supply line.

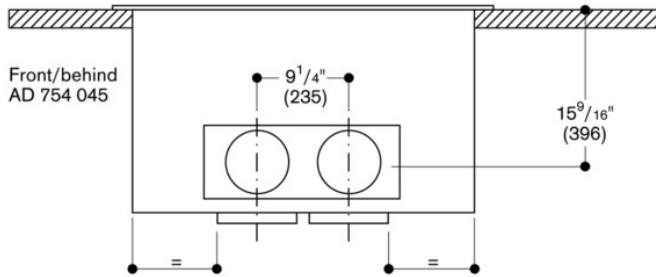
Rating

Connecting cable 5.6 ft. with plug.

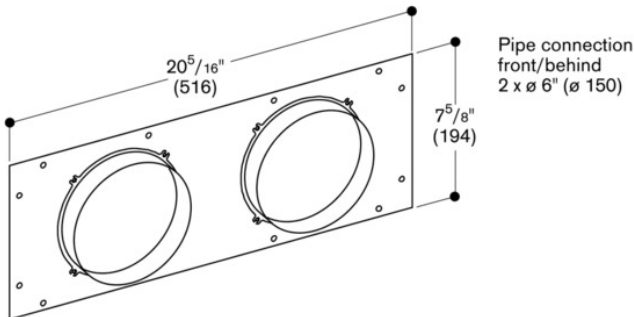
AL400790
 Retractable downdraft with LED lighting
 Stainless Steel
 Width 36 inches
 Comes without blower
 Air extraction/recirculation with AR
 400/401 blowers or AR 413
 recirculation kit
 2013-07-27
 Page 2



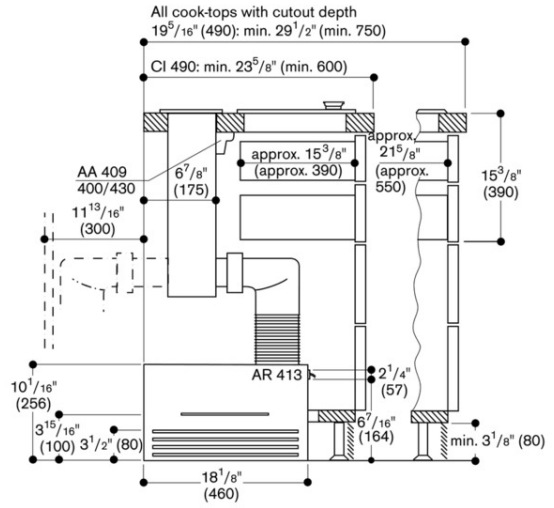
AL 400 connection positions ø 6"



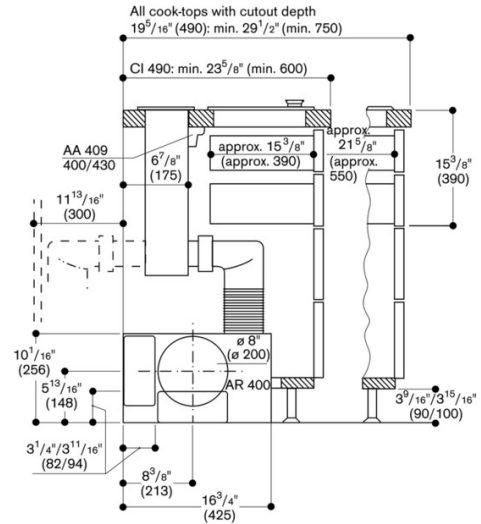
AD 754 045



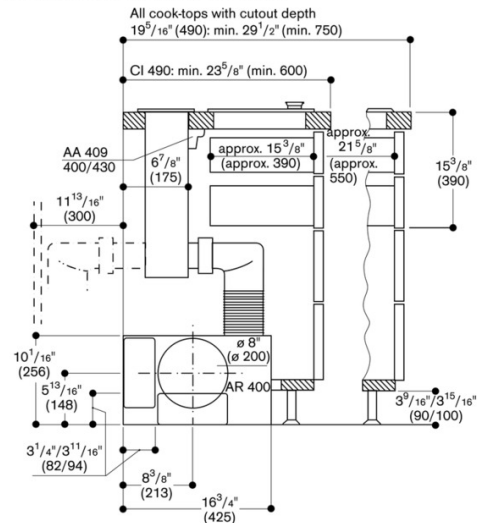
Depth dimensions - lower drawer with back - air extraction operation for maximum output with 2x ø 6" round



Depth dimensions - lower drawer with back - air extraction operation for maximum output with 2x ø 6" round

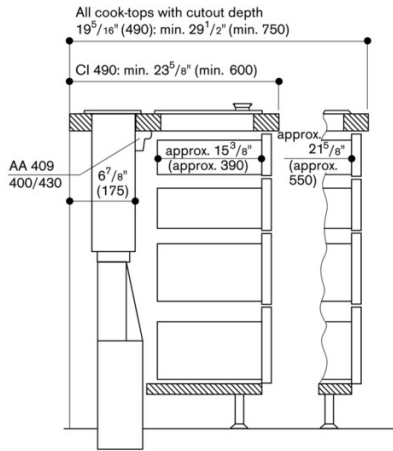


Depth dimensions - lower drawer with back - air extraction operation for maximum output with 2x ø 6" round

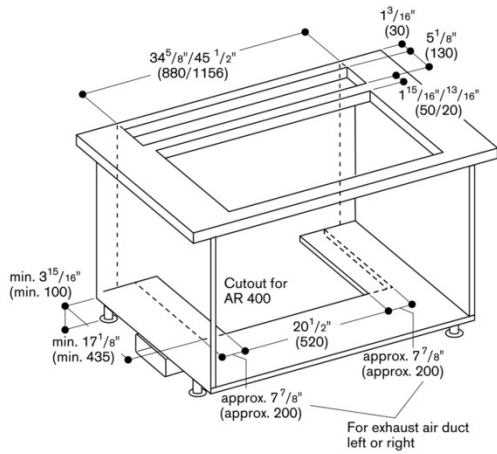


AL400790
 Retractable downdraft with LED lighting
 Stainless Steel
 Width 36 inches
 Comes without blower
 Air extraction/recirculation with AR
 400/401 blowers or AR 413
 recirculation kit
 2013-07-27
 Page 3

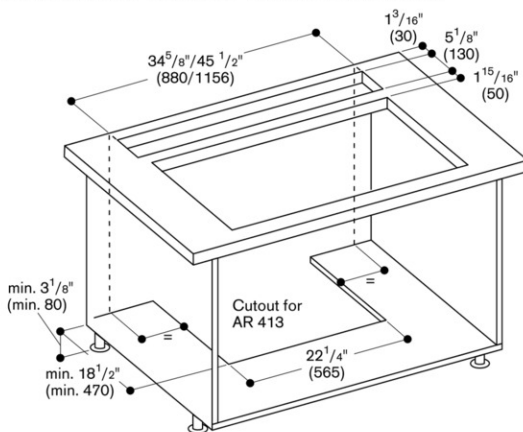
Depth dimensions - lower drawer with back - air extraction operation with floor bushing 2x ø 6" round



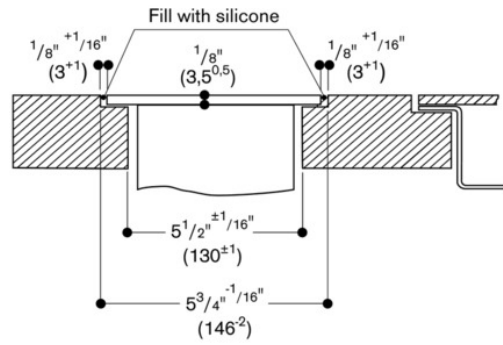
Exhaust air: AL 400 with AR 400 in the lower cabinet



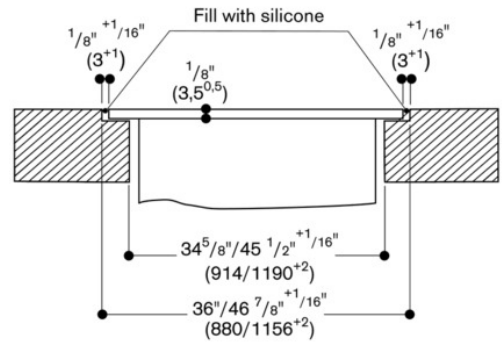
Circulating air: AL 400 with AR 413 in the lower cabinet



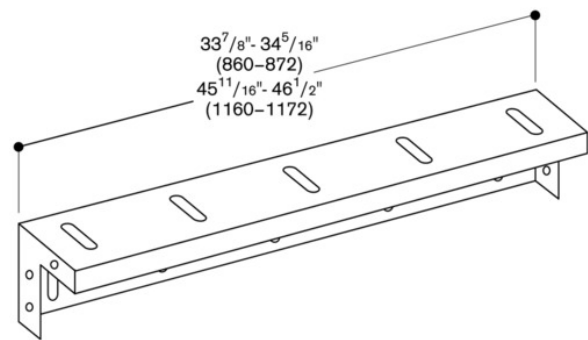
Cross-section



Longitudinal section



AA 409 400/430 cabinet support



AL400790
Retractable downdraft with LED lighting
Stainless Steel
Width 36 inches
Comes without blower
Air extraction/recirculation with AR
400/401 blowers or AR 413
recirculation kit
2013-07-27
Page 4

AL 400 mounted flush

