



Color Variants

AI200702
Stainless steel
Width 36"

Optional accessories

KF001010
Activated charcoal filter

AI200702

Island hood

Stainless steel

Width 36"

Air extraction/recirculation

- Classic Gaggenau design
- Air extraction or recirculation system
- High performance and minimal sound

Features

3 electronically controlled output levels. Intensive mode. Interval ventilation. Delayed shut-off function. Grease filter saturation indication by flashing light. Cartridge-type filter, dishwasher-safe. Dimmable halogen Soft-Light 4 x 20 W.

Planning notes

For calculating the exhaust air line go to Rodun online at www.gaggenau.com. For maximum duct lengths use Gaggenau flat rectangular ducts AD 8... or Naber-System Compair flow. Other flat ducts are not permitted!

When installing a ventilation hood with air extraction mode and a chimney-vented fireplace, the hood's power supply line needs a suitable safety switch.

A large drop in output and significantly increased noise can be expected in the air recirculation mode in case of ventilation hoods with a very high air output.

Vario cooktops with intensive production of vapours like VR/VP/VF should be placed in the middle beneath the cooker hood (in this case air recirculation is not recommended).

Clearance above gas appliances min. 30".

Clearance above electric appliances min. 30".

Side outlet possible no lower than 19" from the bottom edge of the hood (pipe middle).

Plan the socket concealed behind ventilation duct.

Weight 53 lb.

Recommendation for stainless steel parts positioned nearby that have to be welded and polished: brushed grain 280.

Surfaces: Stainless steel 1.4016, ground and brushed IIIC.

The dimensions of the air ducts refer to a distance of 63" from the floor to the bottom edge of the hood.

Convert for other installation heights: Worktop height + minimum clearance + hood with duct cover.

Rating

Total connected load 295 W.
Connecting cable 47" with plug.

Product Features

Operating Mode

Convertible: Ducted / Recirculating

Number of speed settings

3-stage

Delay Shut off modes

10

Silence level (dBA)

Required accessories

Optional accessories

KF001010

Number of lights

4

Type of lamps used

Halogen

Total power of the lamps (W)

80

Grease filter material

Washable stainless steel

Grease filter type

Multilayer cassette

Clean filter reminders

Electronic

Consumption and connection features

UPC code

825225851691

Material

Stainless steel

Watts (W)

295

Current (A)

Volts (V)

120

Frequency (Hz)

60

Approval certificates

CE, VDE

Power cord length (in)

59 "

Plug type

120V-3 prong

Overall appliance dimensions (HxWxD) (in)

26 3/4 " - 54 11/16 " / 31 7/8 " - 54 11/16 " x 39 1/4 " x 25 9/16 "

Product packaging dimensions

(HxWxD) (in)

31.29 x 26.77 x 44.09

Height of the chimney (in)

20 13/16 " - 50 3/4 " / 29 15/16 " - 50 3/4 "

Vertical rise height

Required distance above cooktop/ranges

23 9/16 " / 25 9/16 "

Net weight (lbs)

51

Gross weight (lbs)

69

Adjustable feet

Motor location

Maximum CFM

Diameter of air duct (in) top

6

Diameter of air duct (in) back

Discharge direction

No-return airflow flap

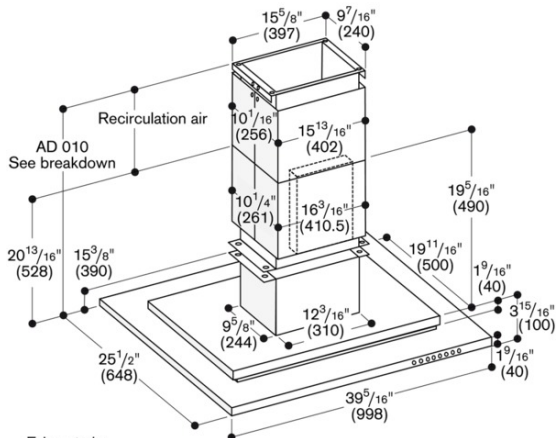
No

2013-04-22

Page 1

AI200702
 Island hood
 Stainless steel
 Width 36"
 Air extraction/recirculation

2013-04-22
 Page 2



Exhaust air:
 AD 010 016 = 25 3/16"–32 5/16" (640–820)
 AD 010 026 = 32 5/16"–44 7/8" (820–1140)
 AD 010 036 = 44 7/8"–55 1/8" (1140–1400)

Recirculation air:
 AD 010 126 = 32 5/16"–44 7/8" (820–1140)
 AD 010 136 = 44 7/8"–55 7/8" (1140–1400)