



# REX205W



43" x 20" x 24.5" (H x W x D)

20" wide smooth-top electric range in white with oven window

### Highlights:

Unique 20" fit offers full cooking convenience for smaller kitchen spaces

Smooth ceramic cooktop for safer and cleaner cooking

Large oven window with light makes it easy to monitor your cooking without opening the door

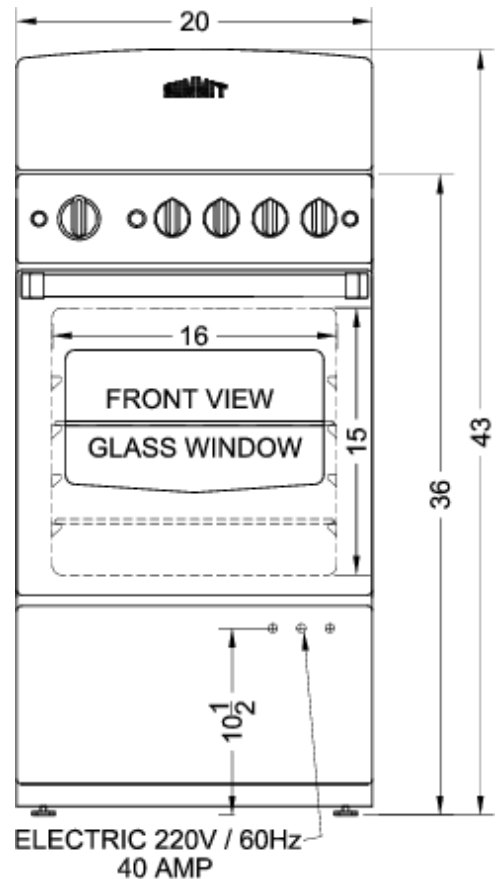
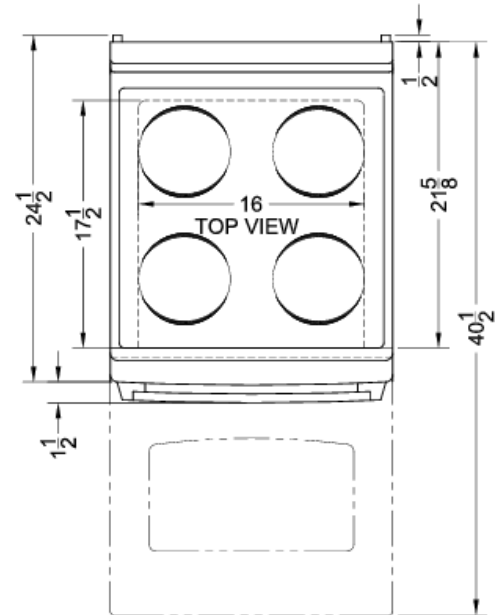
### Product Features:

20" width	Perfectly sized for apartments and smaller kitchens
Smooth ceramic glass top	Ceramic surface for easier cleaning and safer cooking
Oven window with light	Easier monitoring of your cooking with an oven window and on/off light
Waist-high broiler	Broiler is located inside the oven, making it easier to use
Upfront controls	Control panel is conveniently located to prevent users from reaching over hot cooktop surface for adjustments
Four cooking zones	Surface features four 6 1/2" 1200W elements
Backguard	High backing prevents stovetop contents from splashing up or boiling over and staining walls
ADA compliant design	Upfront controls and easy-to-operate knobs offer easier accessibility
Color matched knobs and handle	White-on-white design for an attractive look ideal for any kitchen



## REX205W Specifications:

Overview	
Height of Cabinet	43.0"
Width	20.0"
Depth	24.5"
Depth with Handle	26.0"
Depth with door at 90°	40.5"
Door	White
Cabinet	White
US Electrical Safety	UL
Amps	40.0
Voltage/Frequency	220 V AC/60 Hz
Shipping Weight	150.0 lbs.
Parts & Labor Warranty	1 Year
Electric Range	
Oven Capacity	2.4 cu.ft.
Cooktop Surface	Glass
Element Type	Glasstop
Number of Elements	4
Element #1 Size	6.5"
Element #1 Wattage	1200.0
Element #2 Size	6.5"
Element #2 Wattage	1200.0
Element #3 Size	6.5"
Element #3 Wattage	1200.0
Element #4 Size	6.5"
Element #4 Wattage	1200.0
Burner Controls	Dial
Oven Controls	Dial
Oven Light	Yes
Backguard	Yes
Cleaning Type	Manual
Oven Rack Qty	2
Oven Window	Yes
Oven Interior Height	15.0"
Oven Interior Width	16.0"
Oven Interior Depth	17.5"
Power Source	220V
Broiler Location	Inside Oven



SUMMIT APPLIANCE DIVISION FELIX STORCH, INC.

770 Garrison Avenue, Bronx, NY 10474 USA TEL 718-893-3900 FAX 844-478-8799

info@summitappliance.com

www.summitappliance.com