

# 24" ADA-COMPLIANT SERIES BEVERAGE CENTER

HA24BB-3 | 24" INDOOR MODEL

**Perlick**<sup>®</sup>  
QUALITY & INNOVATION  
THAT **INSPIRES**



Solid Door Model



Glass Door Model



Intertek

## GENERAL 24" ADA-COMPLIANT SERIES FEATURES

- 32" height with leveling legs
- 525 Btu commercial-grade compressor
- Front-vented, RAPIDcool forced-air refrigeration system
- Commercial-grade stainless steel interior and black vinyl-clad exterior
- **Industry Exclusive** convertible door design allows all doors the ability to be converted to wood overlay from stainless steel
- **Industry Exclusive** adjustable, full-extension pull-out shelves
- Stainless-steel ball-bearing glides provide smooth movement of shelves
- Low E, UV-coated glass provides industry leading insulation and protection.
- Electromechanical temperature control
- Interior light
- Optional door locks and Industry-Exclusive drawer locks (factory installed)
- Stacking kit available
- Also available - ADA Compliant Freezer, Refrigerator, Wine Reserve and 15" Clear Ice Maker
- 4.8 cubic feet of capacity
- Industry Best Three Year Warranty plus additional three years on sealed system

## HA24BB-3 FEATURES

- Available with solid stainless steel door, wood overlay door, stainless steel glass door or wood overlay glass door
- Includes two (2) full-extension pull-out wine shelves to accommodate eight (8) bottles each and one (1) full-extension pull-out shelf
- Beverage Center temperature 35° - 48°F

Form No.HA24BB-3  
Rev. 06.12.2015

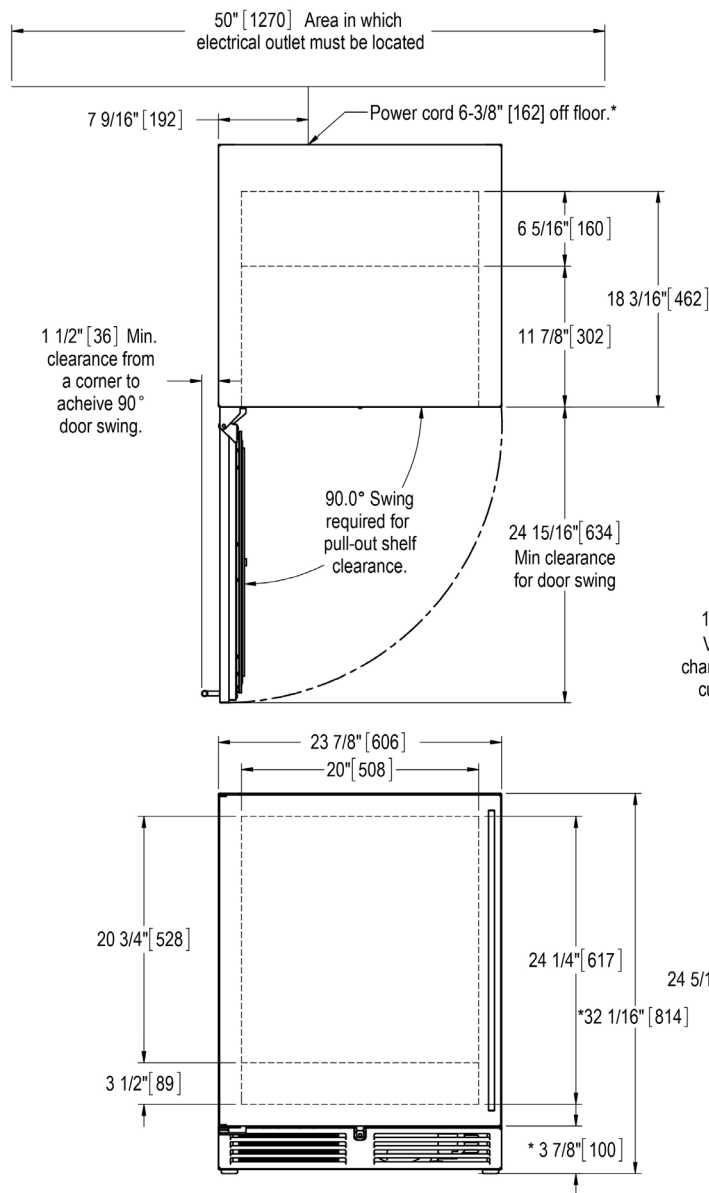
## PRODUCT SPECIFICATIONS

|                                  |                               |
|----------------------------------|-------------------------------|
| <b>Overall Width</b>             | 23-7/8" (606 mm)              |
| <b>Overall Height</b>            | 32" (814 mm)                  |
| <b>Overall Depth</b>             | 24" (611 mm)                  |
| <b>Opening Width</b>             | 24" (611 mm)                  |
| <b>Opening Height</b>            | 32-1/8" (816 mm)              |
| <b>Opening Depth</b>             | 24" (611 mm)                  |
| <b>Refrigerated Volume</b>       | 4.8 cu. ft total              |
| <b>Door Swing Clearance</b>      | 25" (634 mm)                  |
| <b>Electrical</b>                | 115V, 60Hz, 1 Phase, 2.3 amps |
| <b>Plumbing</b>                  | None Required                 |
| <b>Shipping Weight</b>           | 181 lbs (82.27 kg)            |
| <b>Annual Energy Consumption</b> | 295 kWh                       |

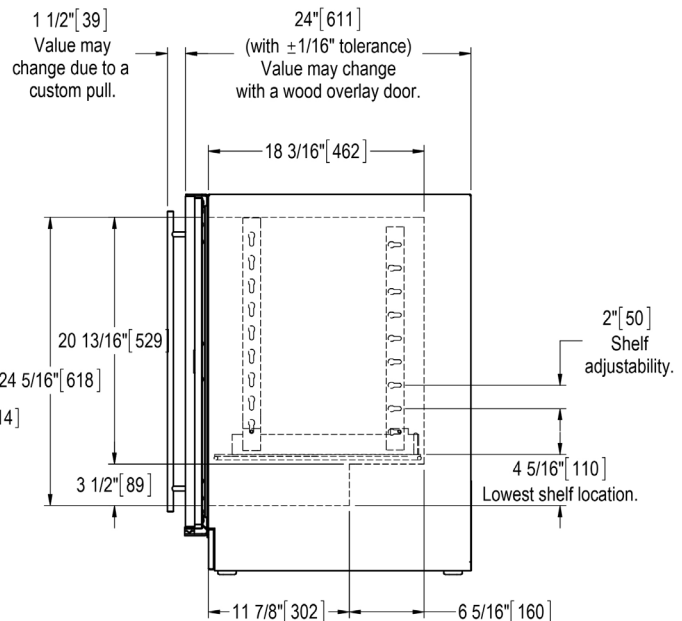
## INDOOR MODELS

|                     |   |
|---------------------|---|
| <b>HA24BB-3-1L*</b> | Solid stainless steel door, hinged left |
| <b>HA24BB-3-2L*</b> | Solid wood overlay door, hinged left    |
| <b>HA24BB-3-3L*</b> | Stainless steel glass door              |
| <b>HA24BB-3-4L*</b> | Wood overlay glass door                 |

\*Also available with right hinge



\* - Leg levelers can add 3/4" [19] to these dimensions when fully extended.



Form No.HA24BB-3  
Rev. 06.12.2015