

SALICE ISLAND



ISLAND

ASPIRE SERIES

Dimensions

36" W x 27" D x 5" H
42" W x 27" D x 5" H

Models

ESL636S2 Salice 36" Stainless
ESL642S2 Salice 42" Stainless

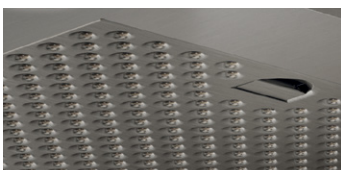
Special features



halogen lamps



multi-function electronic controls with LCD display



stainless steel micro hole filters



Salice conveys understated elegance with a gently tapered canopy that measures only 5" tall, which opens up the kitchen for entertainment and conversation. Available in 36" and 42" widths, Salice features a powerful 600 CFM blower, halogen lighting with 2 light intensities, stainless steel microhole filters and multi-function electronic controls with LCD display that deliver convenience and safety.

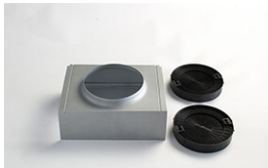
Designed for ducted installation, Salice can also be installed as a recirculating system using the Recirculating Kit, available as an accessory.

SALICE ISLAND

FEATURES

| | |
|-------------------------------------|--|
| Size (in) & Type Finish | 36" or 42" Wide Island Stainless Steel |
| Controls | Multi-function electronic with LCD display |
| Illumination | 4, 40 Watt Halogen Lamps, 2 Light Intensities (bulbs included) |
| Installation Type | Ducted or Recirculating Installation Recirculating Kit Sold Separately |
| Blower Type | 600 CFM, 4-Speed Internal |
| Blower Performance | Speed 1, 180 CFM, 1.6 Sones Speed 2, 300 CFM, 3.5 Sones Speed 3, 470 CFM, 6.5 Sones Speed 4, 600 CFM, 8.7 Sones |
| Filter Type | 3, Dishwasher-Safe, Stainless Steel Micro Hole |
| Telescopic Chimney Extension | For heights 7'9" - 9'8" (ducted) For heights 8'0" - 10'0" (recirculating) |
| Duct Transition | 6" Round with Back Draft Damper (top) |
| Electrical | 120V-60Hz 530 Watts at 4.4 Amps |
| Warranty | 2 Year Parts & Labor, In-Home Service |

ACCESSORIES



Optional Recirculating Kit for 36" and 42"

CODE: KIT02665
MODEL: KIT02665

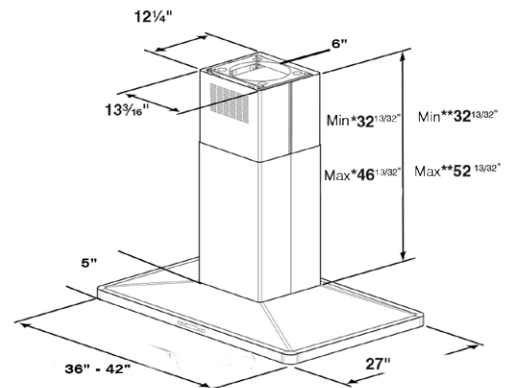


Optional Long Chimney Extension Kit

Reaches 9'0" - 12'0" (ducted)
Reaches 9'4" - 12'4" (recirculating)

CODE: KIT0100317
MODEL: EXXRCK06

LINE DRAWING



CONSUMABLE PARTS

Replacement Grease Filter (1)

CODE: GF04YB

Replacement Carbon Filter (1)

CODE: KIT02667

Replacement Light Bulb (1)

CODE: 2006BH

Consumable parts are sold in units of one (1). Order accordingly.

SPECIAL FEATURES



Elica CRS:

CFM Reduction System (CRS), is an exclusive feature to Elica hoods, which enables the installer to reduce the maximum blower CFM, to meet local code requirements.



Elica Heat Guard:

A safety feature that protects the hood and cabinetry from excessive heat, by sensing extreme temperatures (>158 degrees) and will automatically adjust the blower speed to HIGH. Blower speed will automatically adjust back once temperatures drop to a safe level.